

US00D969676S

(12) **United States Design Patent**
Hu et al.

(10) **Patent No.:** **US D969,676 S**

(45) **Date of Patent:** **** Nov. 15, 2022**

(54) **PAIR OF PEDALS FOR CYCLES**

(71) Applicant: **Beijing Niu Information Technology Co., Ltd.**, Beijing (CN)

(72) Inventors: **Yilin Hu**, Beijing (CN); **Chuankai Liu**, Beijing (CN); **Xuewu Zhang**, Beijing (CN); **Yuancheng Liu**, Beijing (CN)

(73) Assignee: **Beijing Niu Information Technology Co., Ltd.**, Beijing (CN)

(**) Term: **15 Years**

(21) Appl. No.: **29/755,993**

(22) Filed: **Oct. 23, 2020**

(30) **Foreign Application Priority Data**

Apr. 23, 2020 (CN) 202030171343.0

(51) **LOC (13) Cl.** **12-11**

(52) **U.S. Cl.**
USPC **D12/125**

(58) **Field of Classification Search**
USPC D12/111, 125
CPC . B62M 3/00; B62M 3/08; B60N 3/063; B62J
25/00
See application file for complete search history.

(56) **References Cited**

U.S. PATENT DOCUMENTS

4,898,063 A * 2/1990 Sampson B62M 3/086
36/131
D354,724 S * 1/1995 Boone D12/125

D488,407 S * 4/2004 Wright D12/125
D516,966 S * 3/2006 Wirtz D12/125
10,745,080 B1 * 8/2020 Chen B62M 3/086
11,091,222 B1 * 8/2021 Hsieh B62M 3/086
11,124,265 B1 * 9/2021 Liu B62M 3/083
D951,146 S * 5/2022 Gu D12/125
2018/0257738 A1 * 9/2018 Terblanche A43B 5/14
2019/0152559 A1 * 5/2019 Jentzsch F16B 1/00
2021/0061408 A1 * 3/2021 van der Heide F16B 5/0621
2021/0129936 A1 * 5/2021 Fowler H01F 7/02
2021/0323634 A1 * 10/2021 Ball A43B 5/0421
2021/0347438 A1 * 11/2021 Hickernell B62K 19/34

* cited by examiner

Primary Examiner — Darlington Ly

(74) *Attorney, Agent, or Firm* — Dragon Sun Law Firm, PC; Jinggao Li; Nathaniel Perkins

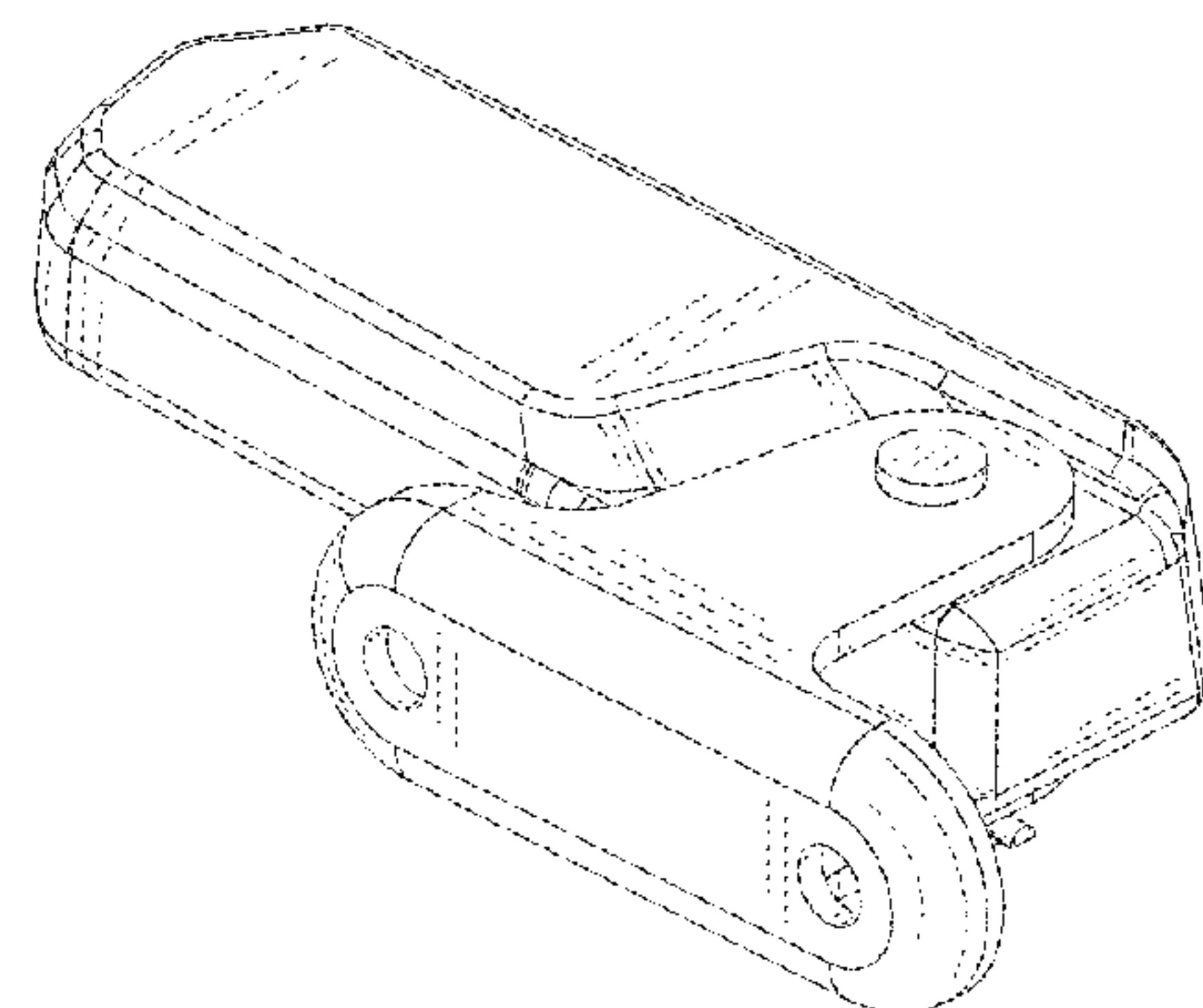
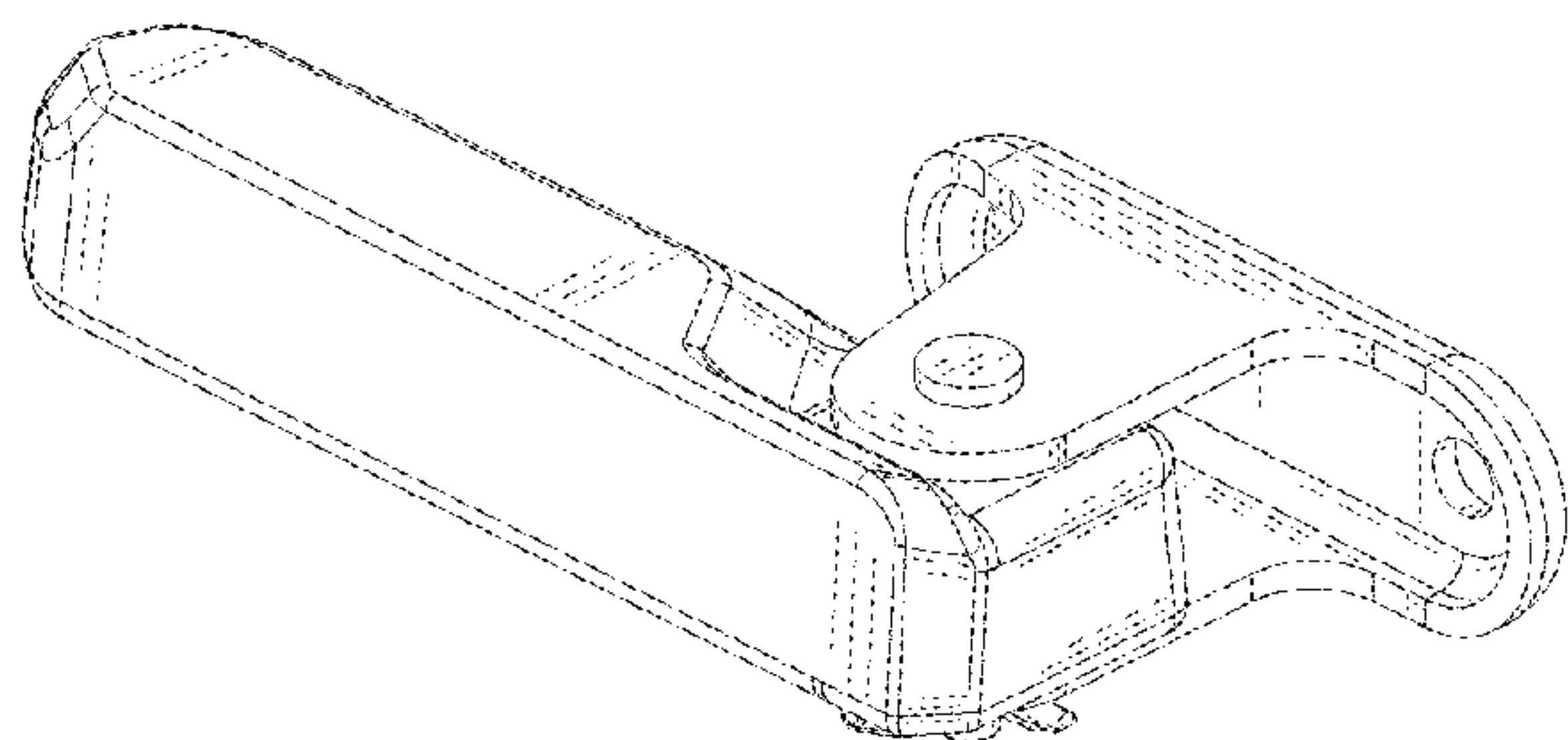
(57) **CLAIM**

The ornamental design for a pair of pedals for cycles, as shown and described.

DESCRIPTION

FIG. 1 is a perspective view of a pair of pedals for cycles embodying our new design;
FIG. 2 is a front elevation view thereof;
FIG. 3 is a rear elevation view thereof;
FIG. 4 is a left side elevation view thereof;
FIG. 5 is a right side elevation view thereof;
FIG. 6 is an enlarged top plan view thereof; and,
FIG. 7 is an enlarged bottom plan view thereof.
The broken lines shown in the figures depict portions of the pedals for cycles that form no part of the claimed design.

1 Claim, 7 Drawing Sheets



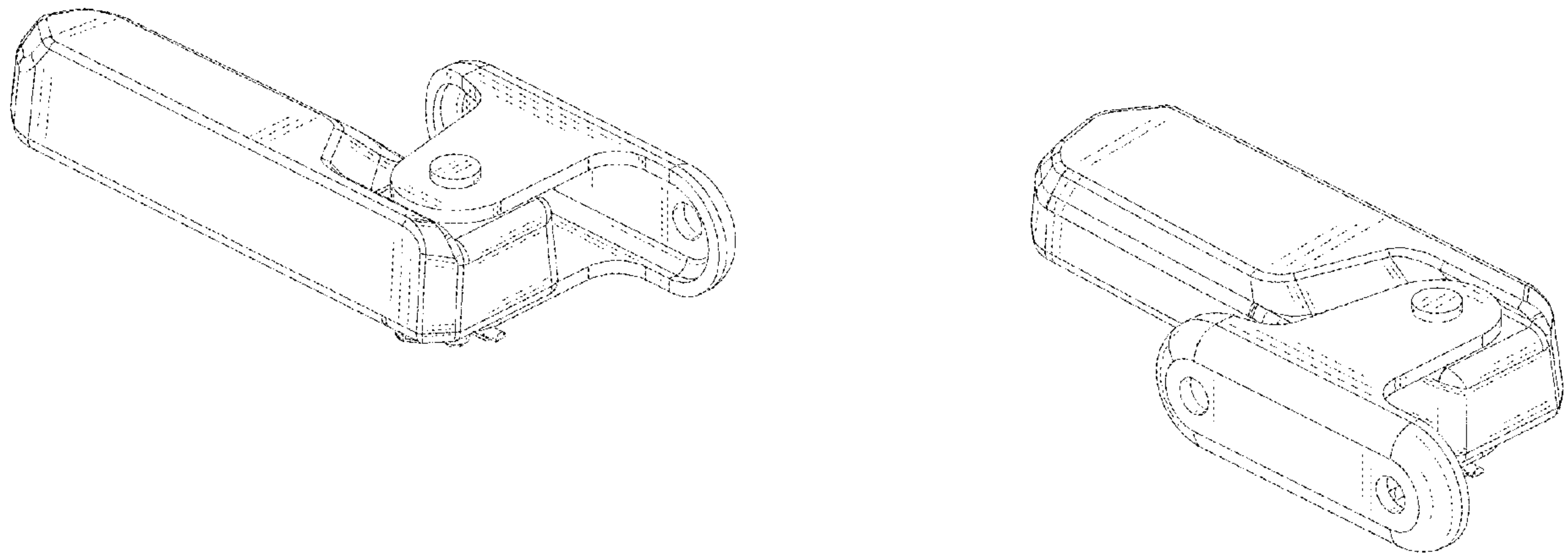


FIG. 1

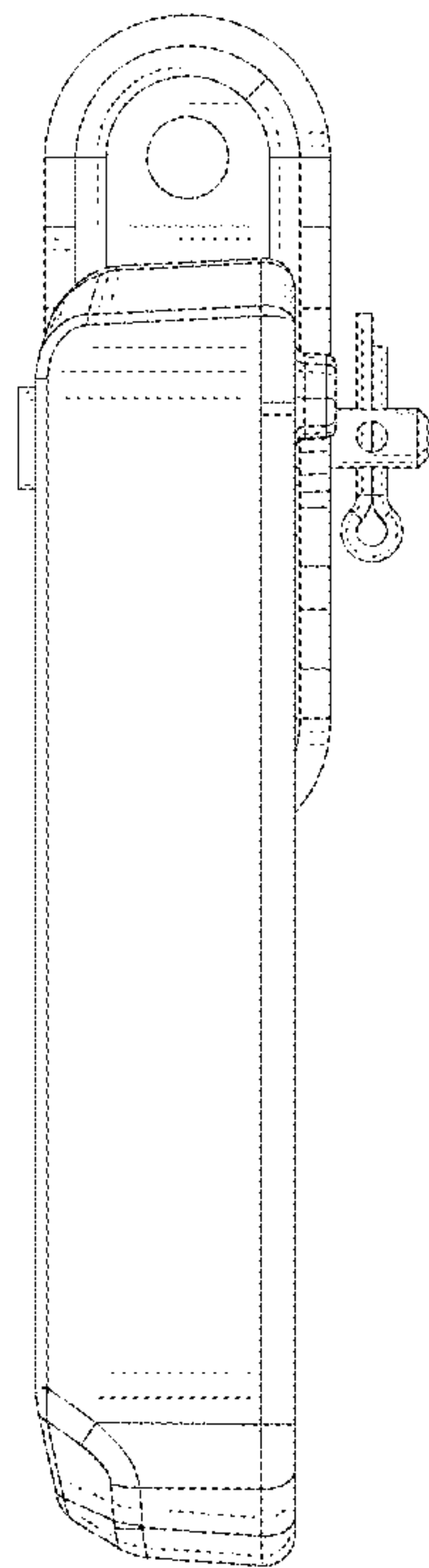
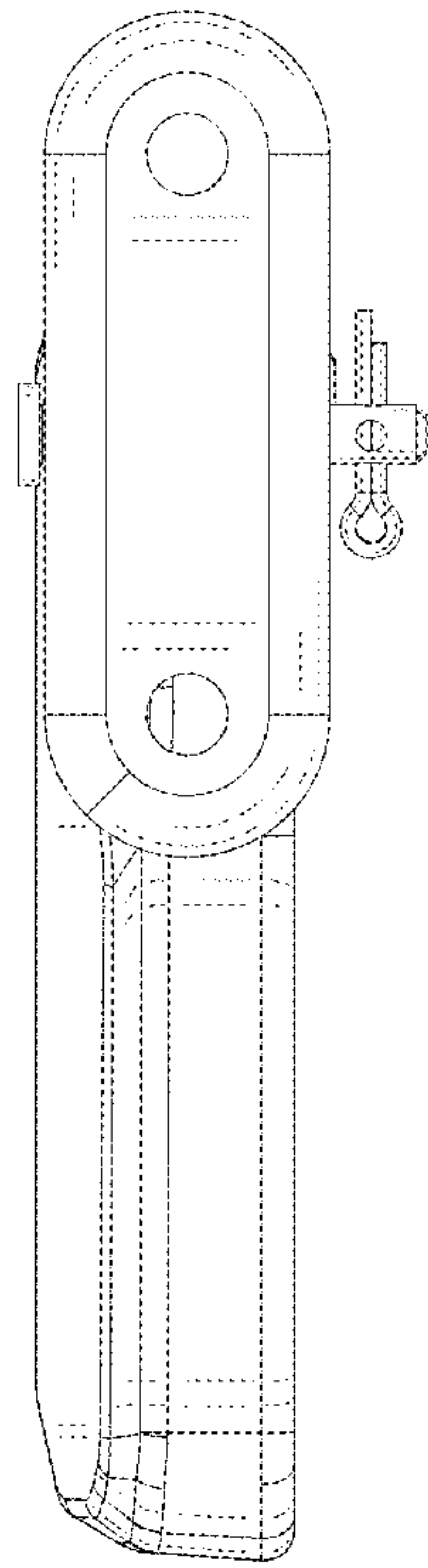


FIG. 2

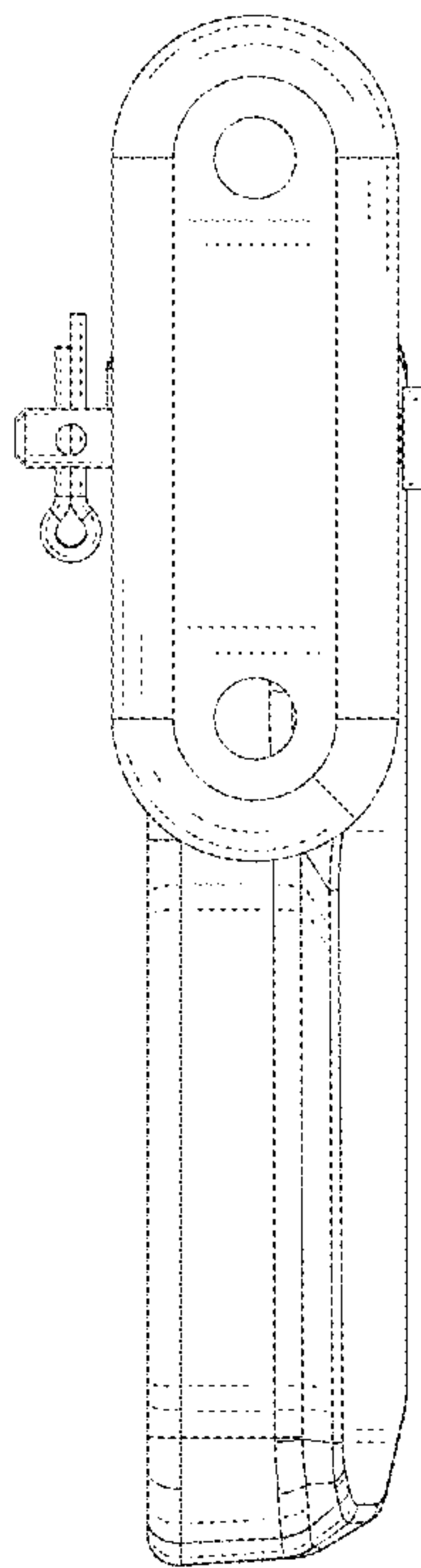
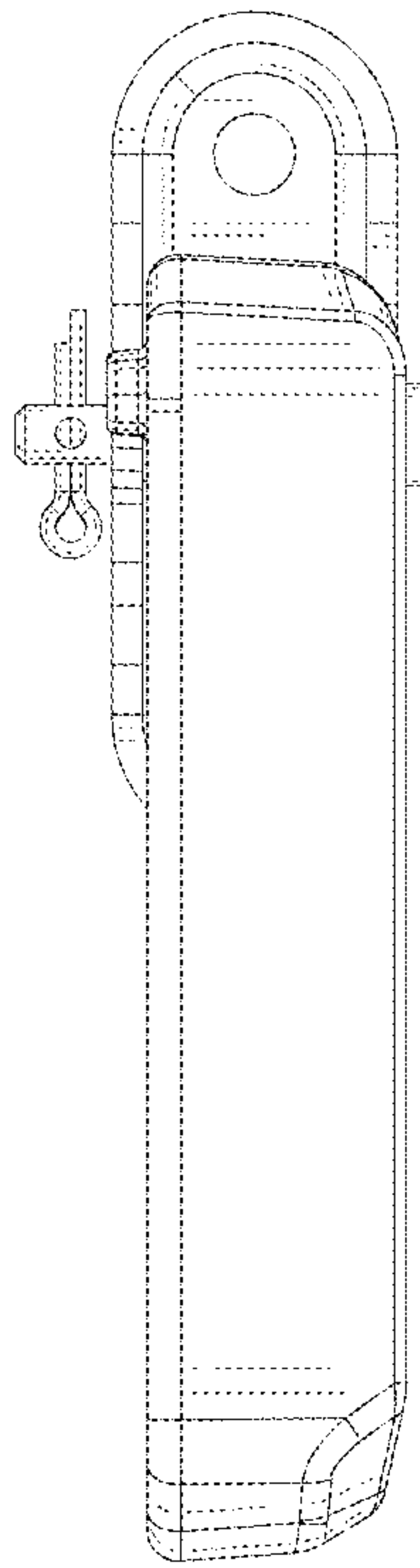


FIG. 3

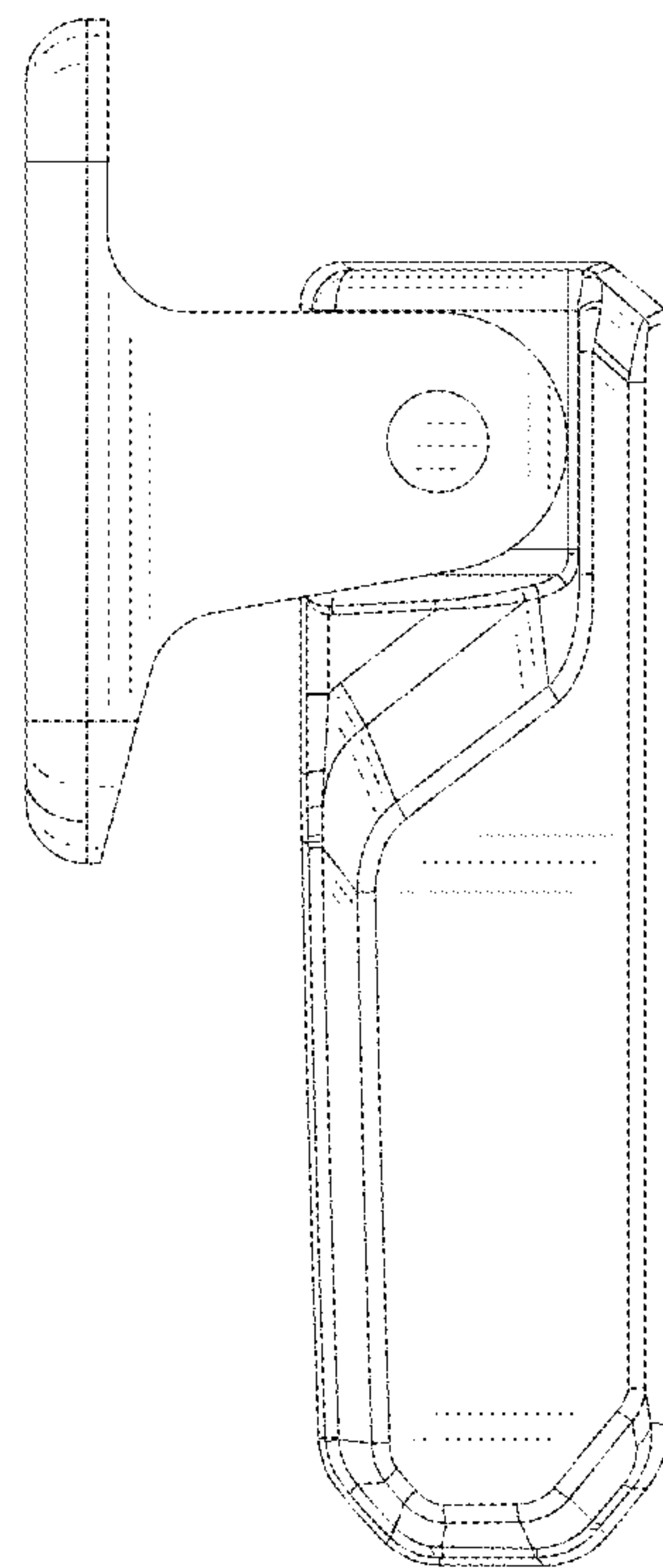
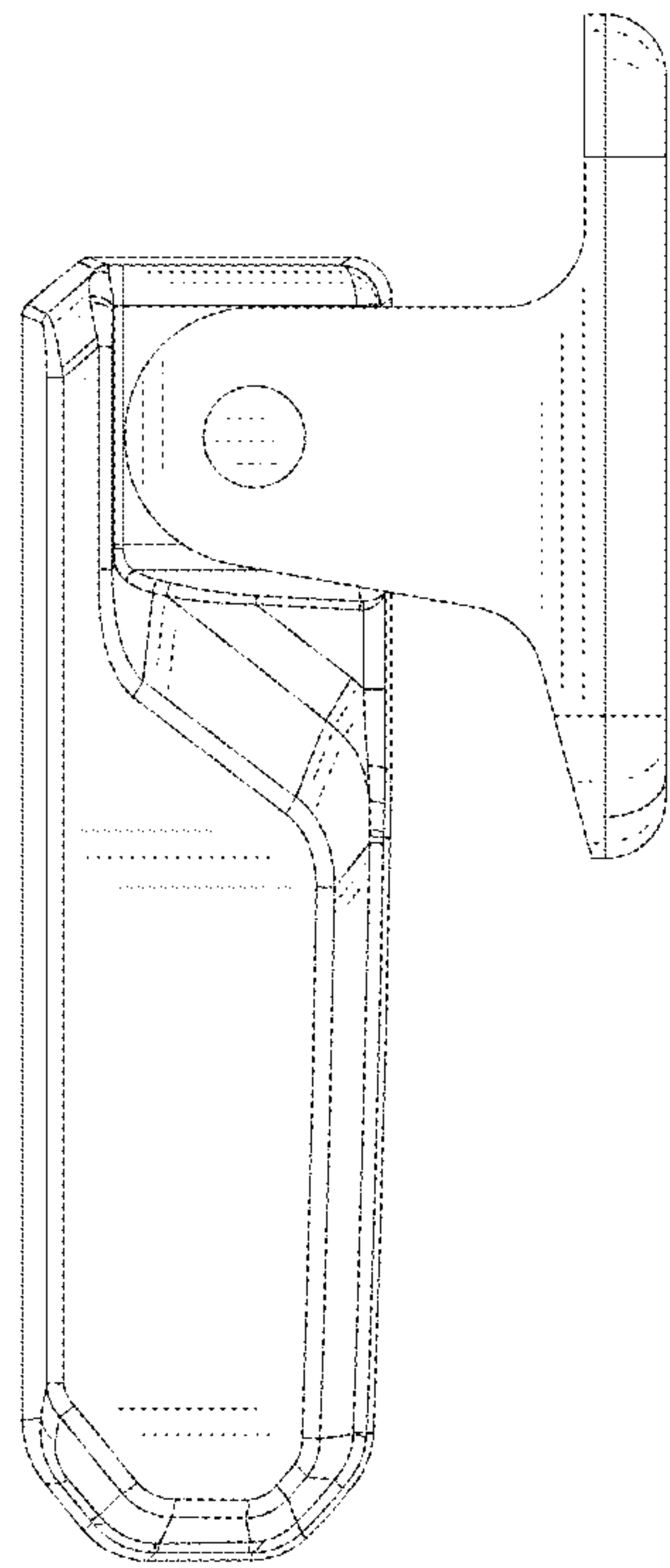


FIG. 4

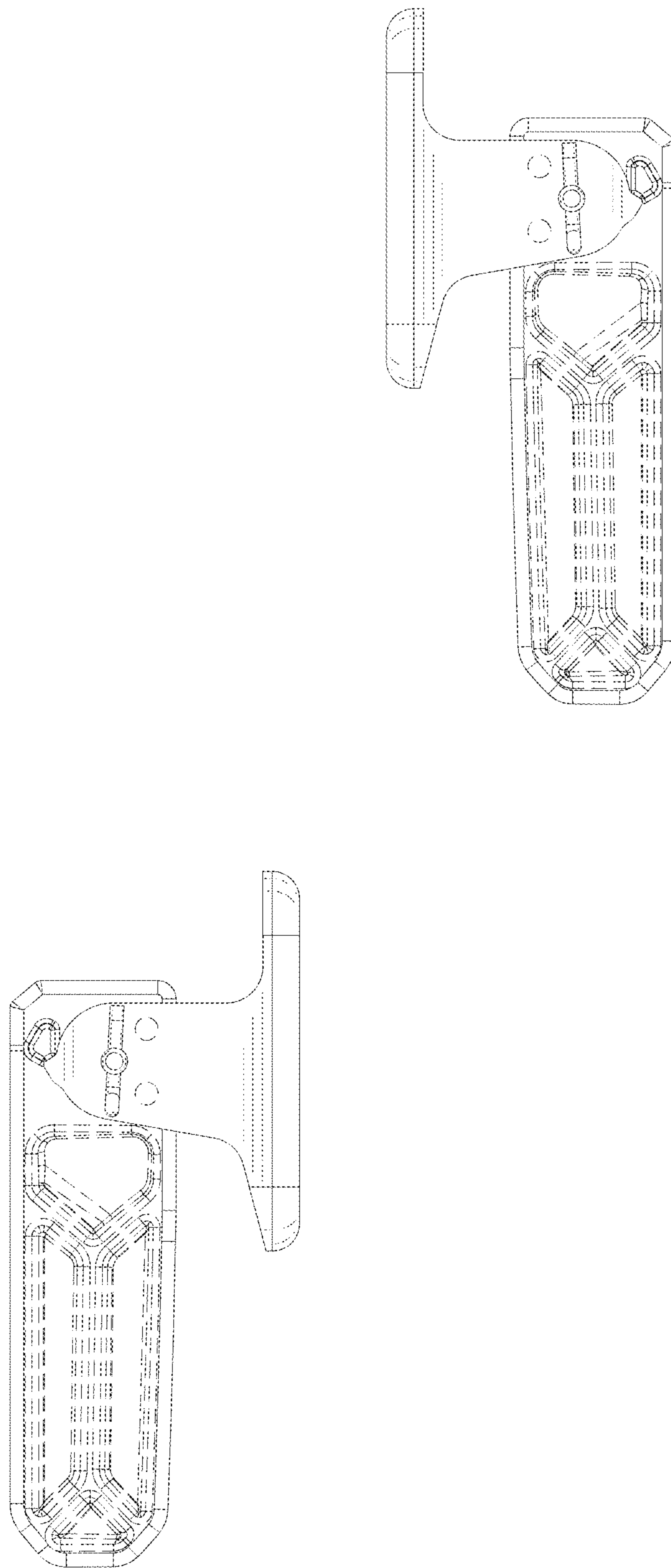


FIG. 5

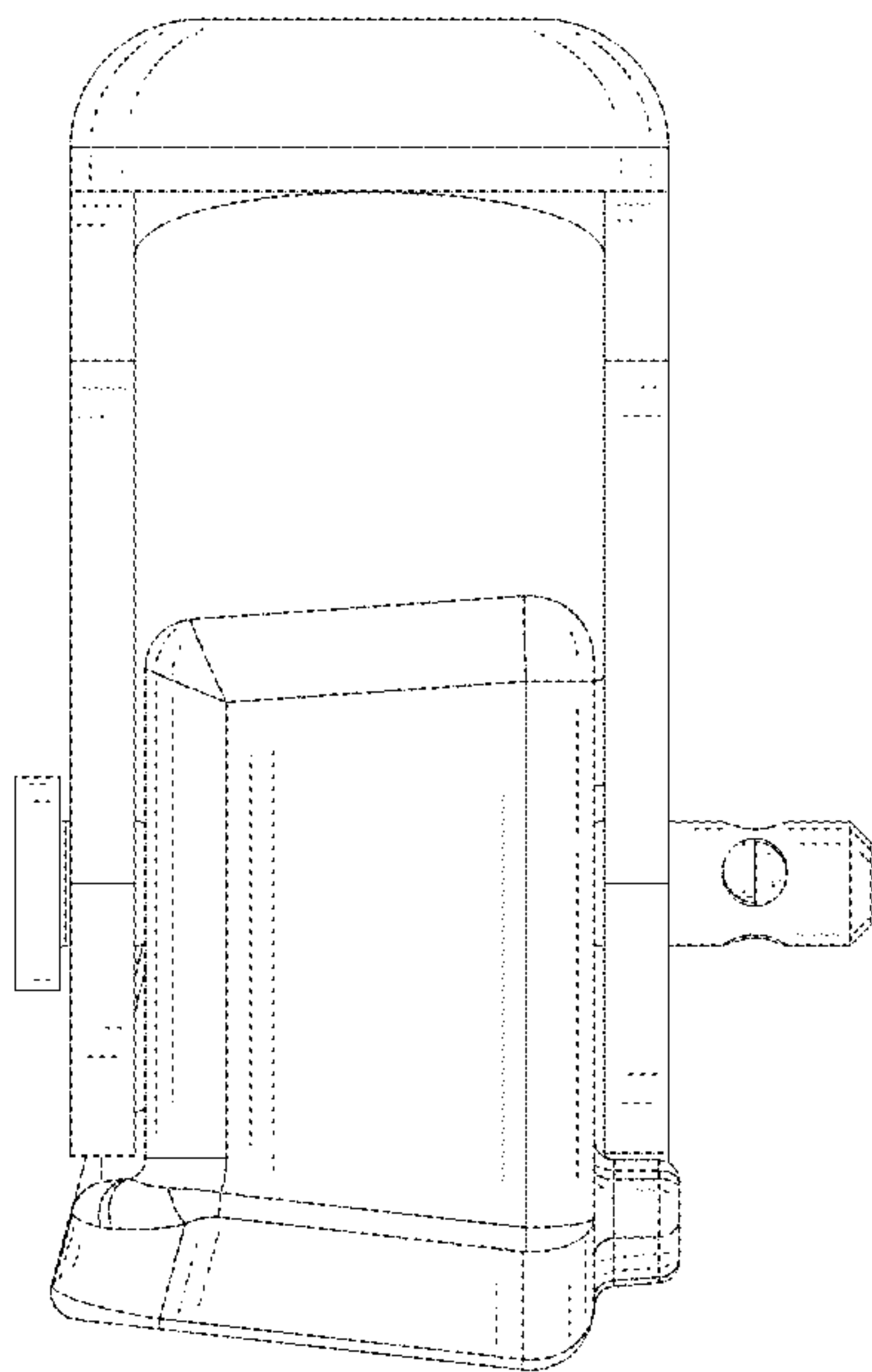
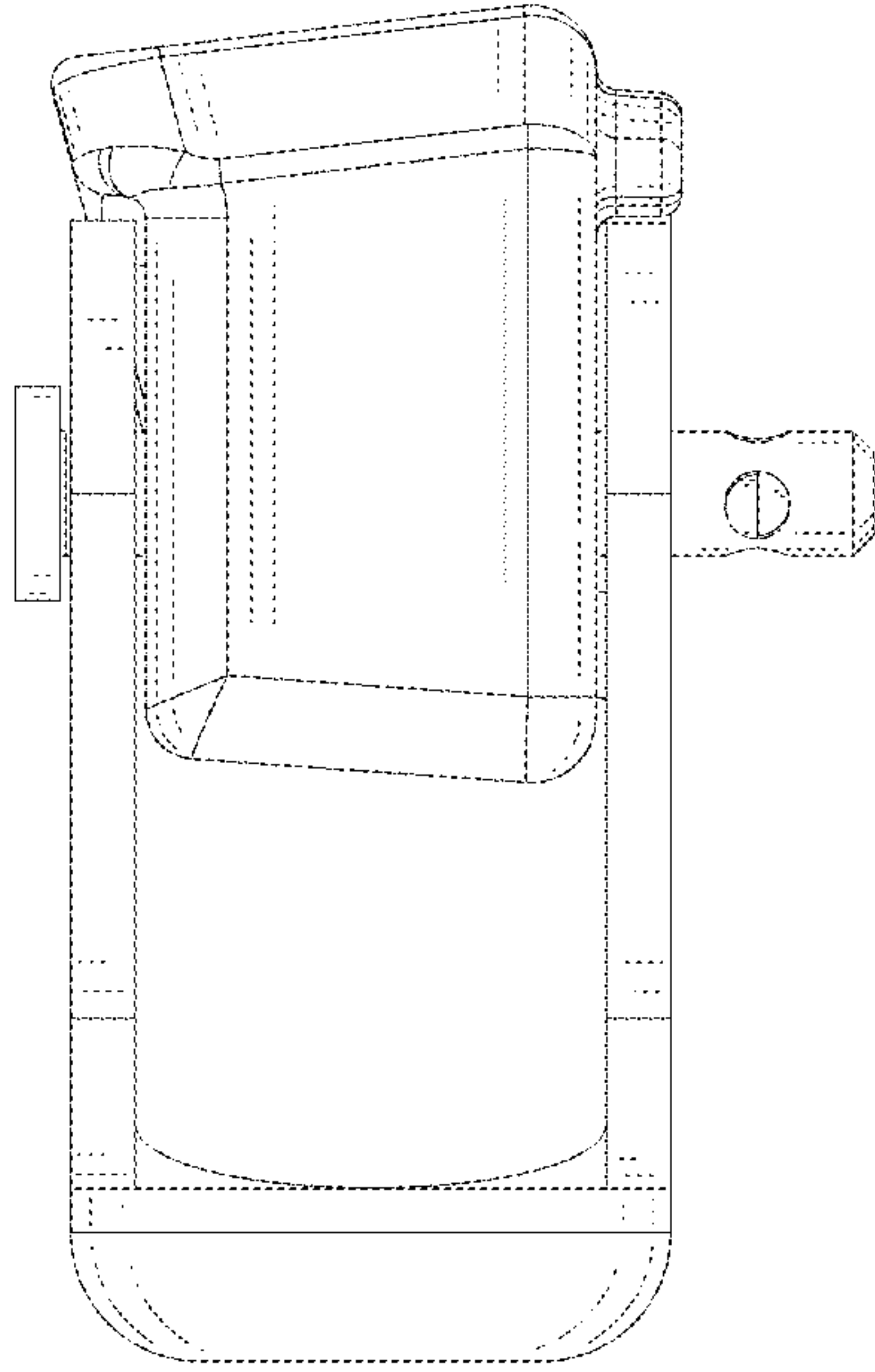


FIG. 6

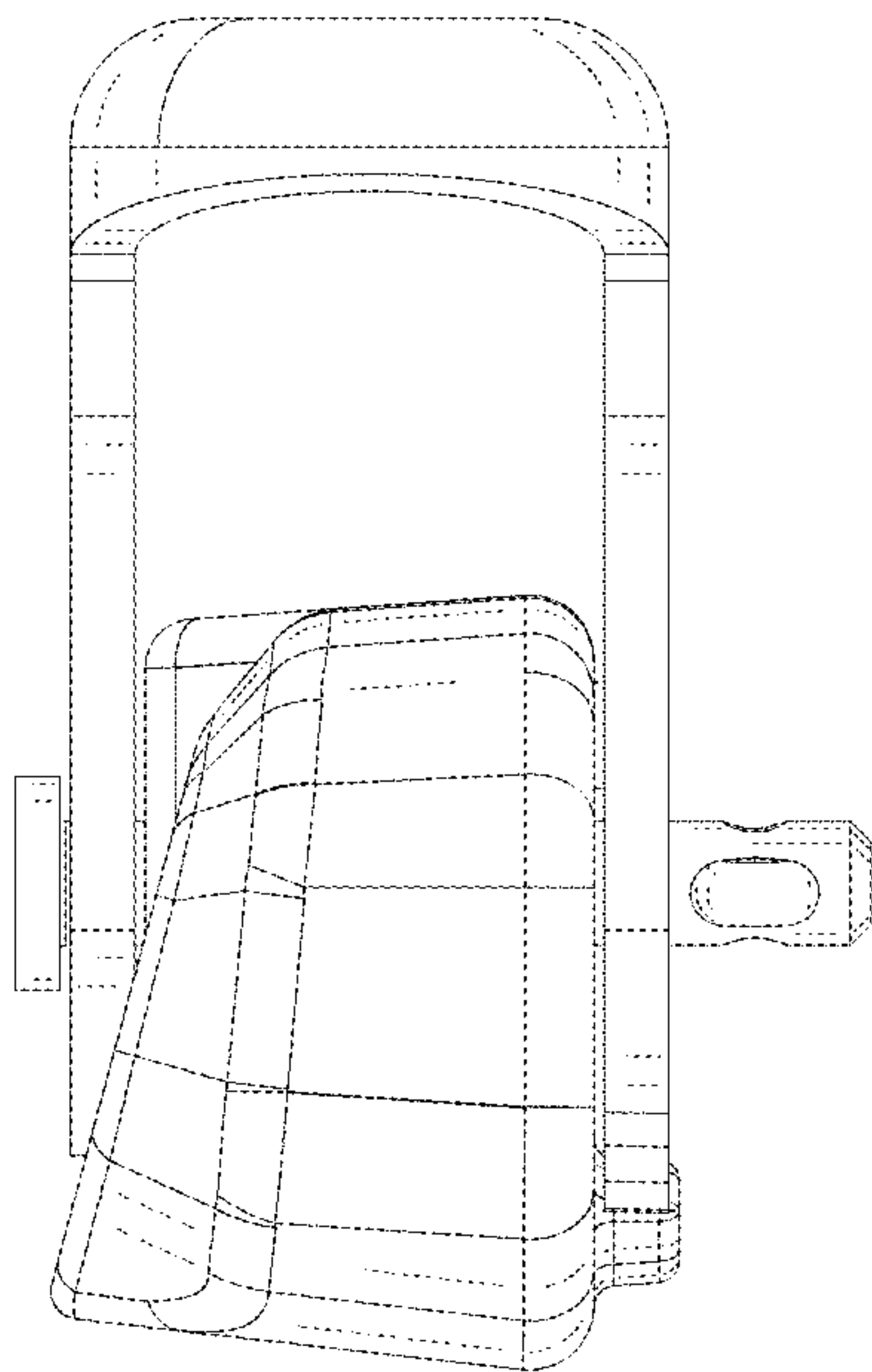
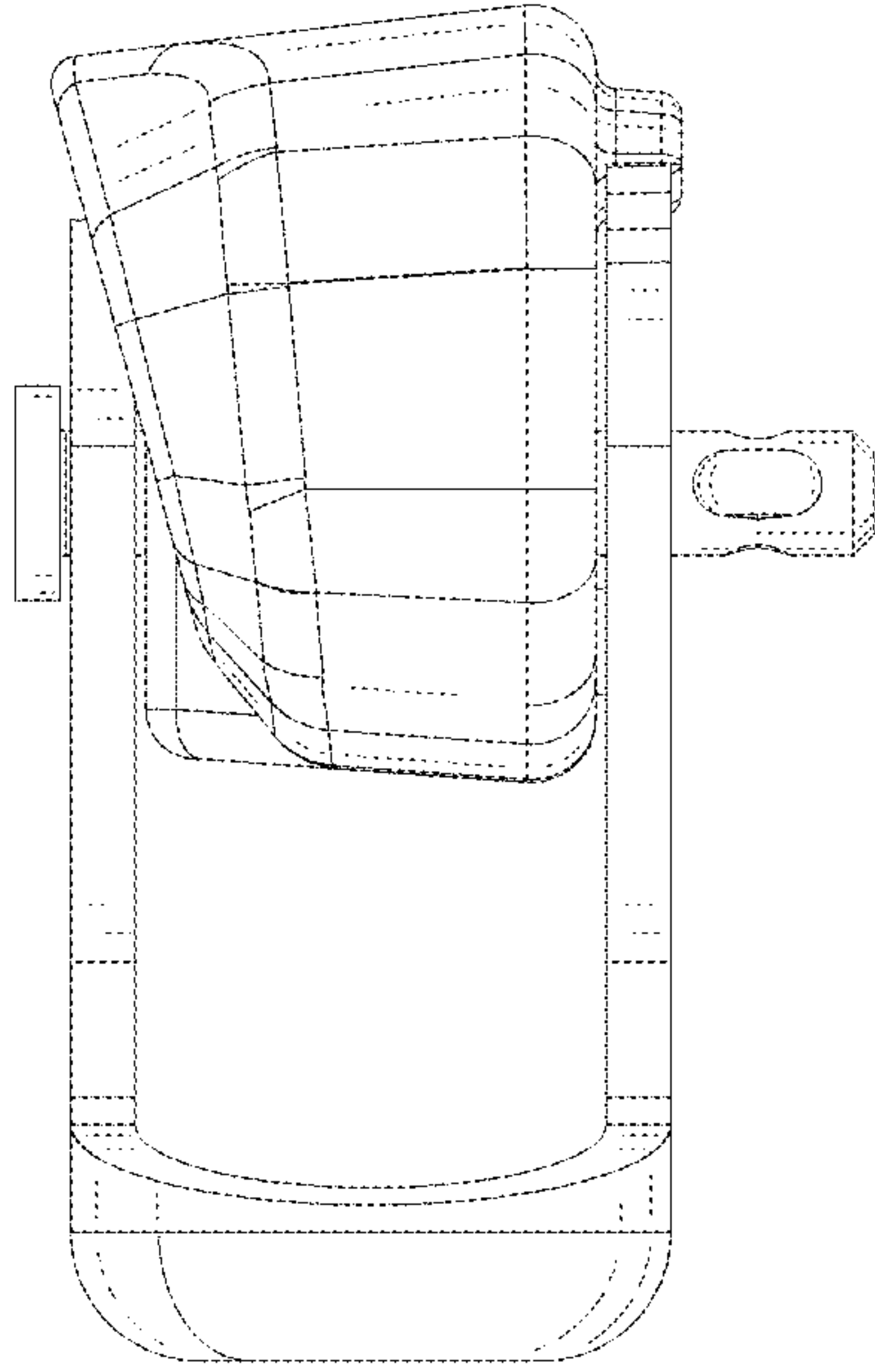


FIG. 7