



US00D969674S

(12) **United States Design Patent**
Zhang

(10) **Patent No.:** **US D969,674 S**

(45) **Date of Patent:** **** Nov. 15, 2022**

(54) **ELECTRIC BICYCLE**

(71) Applicant: **Zhaorong Zhang**, Foshan (CN)

(72) Inventor: **Zhaorong Zhang**, Foshan (CN)

(73) Assignee: **Foshan Jidong Vehicle Industry Co., Ltd**, Guangdong (CN)

(**) Term: **15 Years**

(21) Appl. No.: **29/771,408**

(22) Filed: **Feb. 23, 2021**

(30) **Foreign Application Priority Data**

Sep. 11, 2020 (CN) 202030538060.5

(51) **LOC (13) Cl.** **12-11**

(52) **U.S. Cl.**
USPC **D12/111**

(58) **Field of Classification Search**
USPC D12/111, 117; D21/412, 414, 419,
D21/423-428, 431-435
CPC B62K 3/00; B62K 3/02; B62K 3/06
See application file for complete search history.

(56) **References Cited**

U.S. PATENT DOCUMENTS

2,827,301	A	*	3/1958	Stevens	B62J 35/00 280/281.1
D253,102	S	*	10/1979	Hahn	D12/110
D727,214	S	*	4/2015	Yang	D12/111
D833,333	S	*	11/2018	Yu	D12/111
D850,983	S	*	6/2019	Zhu	D12/111
D902,084	S	*	11/2020	Gauthier	D12/111
D910,497	S	*	2/2021	Sun	D12/111
D915,243	S	*	4/2021	Sun	D12/111
D924,732	S	*	7/2021	Lin	D12/111
D925,404	S	*	7/2021	Lin	D12/111

D925,406	S	*	7/2021	Lin	D12/111
D931,146	S	*	9/2021	Huang	D12/111
D940,010	S	*	1/2022	Hu	D12/111
D950,424	S	*	5/2022	Chien	D12/111
11,326,029	B2	*	5/2022	Callens	B32B 27/42

OTHER PUBLICATIONS

Lawrence Bonk. "10 Best Off Road Electric Bikes in 2022." Gadget Review., Jan. 25, 2022 [online], [retrieved on May 15, 2022]. Retrieved from the Internet <URL: <https://www.gadgetreview.com/best-off-road-electric-bikes>>.*

(Continued)

Primary Examiner — Darlington Ly

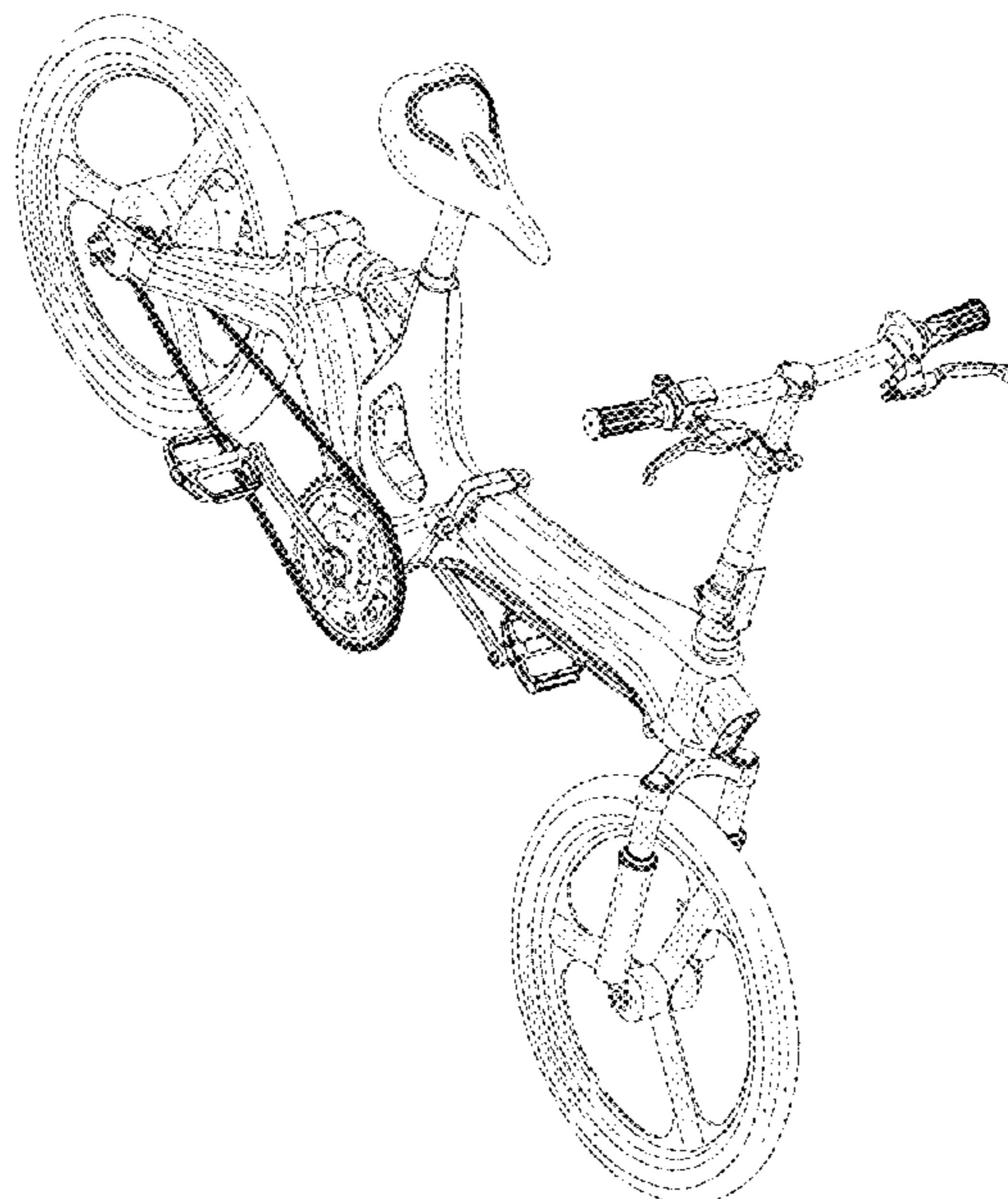
(57) **CLAIM**

The ornamental design for an electric bicycle, as shown and described.

DESCRIPTION

FIG. 1 is a perspective view of an electric bicycle showing my new design;
FIG. 2 is a front elevation view thereof, shown enlarged in scale;
FIG. 3 is a rear elevation view thereof, shown enlarged in scale;
FIG. 4 is a left side elevation view thereof;
FIG. 5 is a right side elevation view thereof;
FIG. 6 is a top plan view thereof;
FIG. 7 is a bottom plan view thereof;
FIG. 8 is an enlarged view of the handle part of the electric bicycle taken from the circle part in FIG. 4;
FIG. 9 is an enlarged view of the handlebar stem of the electric bicycle;
FIG. 10 is an enlarged view of the handle part of the electric bicycle taken from the circle part in FIG. 7; and,
FIG. 11 is an enlarged view of the foot pedal of the electric bicycle.

1 Claim, 11 Drawing Sheets



(56)

References Cited

OTHER PUBLICATIONS

Louis Mazzante. "15 Best Electric Bikes You Can Buy . . ." *Bicycling.*, May 13, 2022 [online], [retrieved on May 15, 2022]. Retrieved from the Internet <URL: https://www.bicycling.com/bikes-gear/a22132137/best-electric-bikes/?utm_source=bing&utm_medium=cpc&utm_campaign=arb_bg_bic_d_bm_a22132137&msclkid=2f11813fda171066>.*

Jo Borrás. "21 Best E-Bikes & Electric Motorcycles You Can Buy In 2021." *Gadget Review.*, Dec. 31, 2020 [online], [retrieved on May 15, 2022]. Retrieved from the Internet <URL: <https://cleantechnica.com/2020/12/31/21-best-e-bikes-electric-motorcycles-you-can-buy-in-2021/>>.*

* cited by examiner

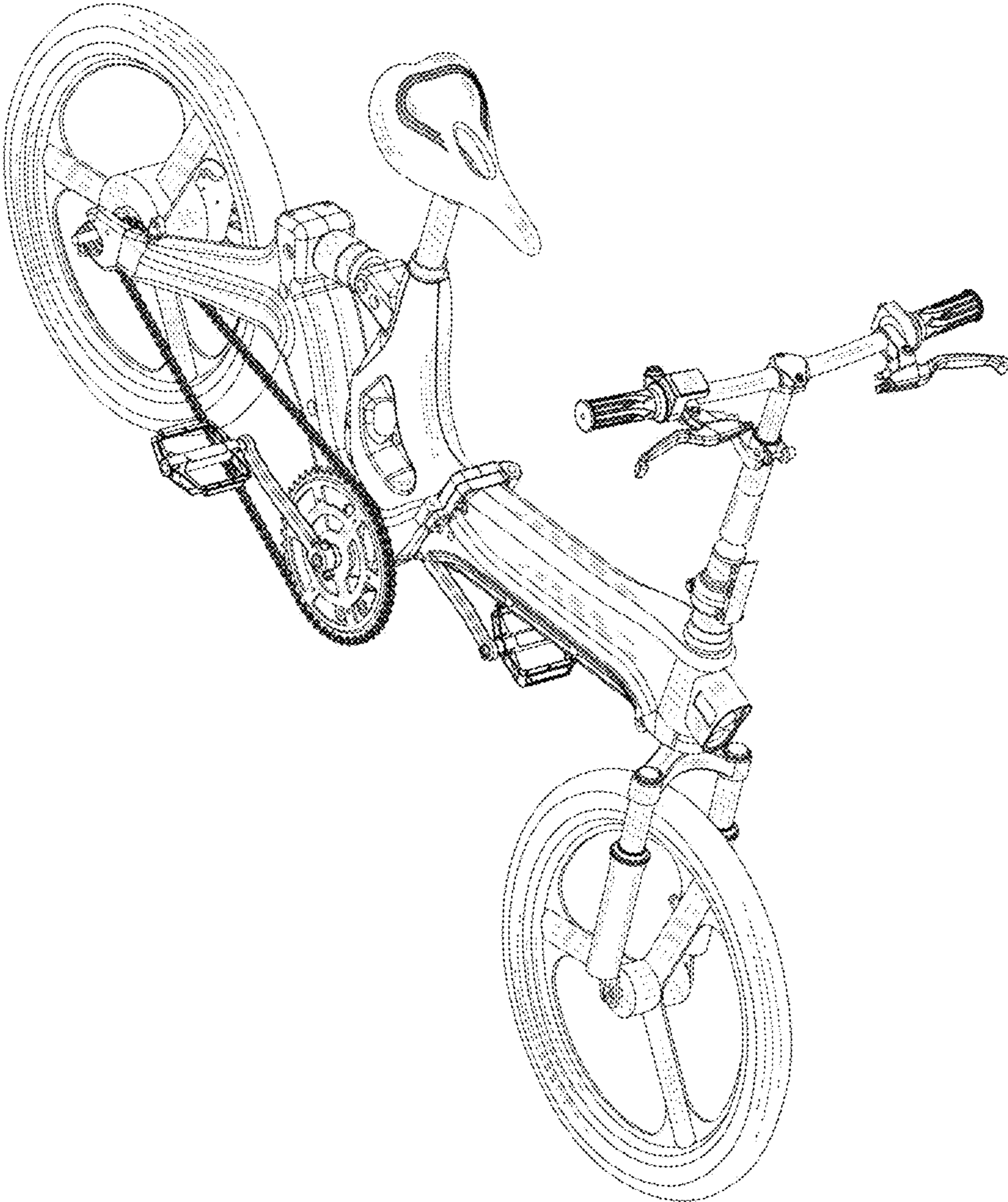


FIG.1

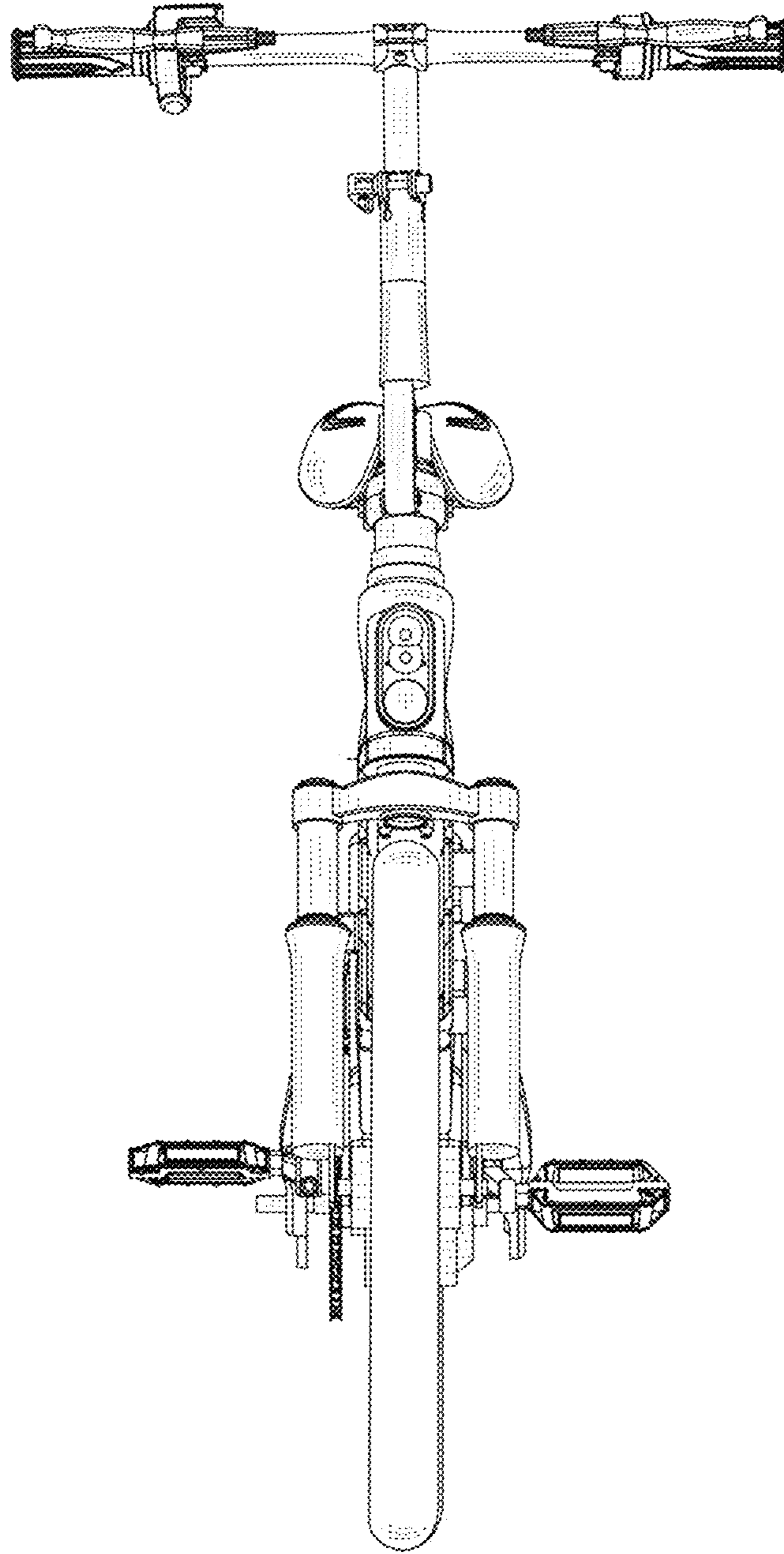


FIG.2

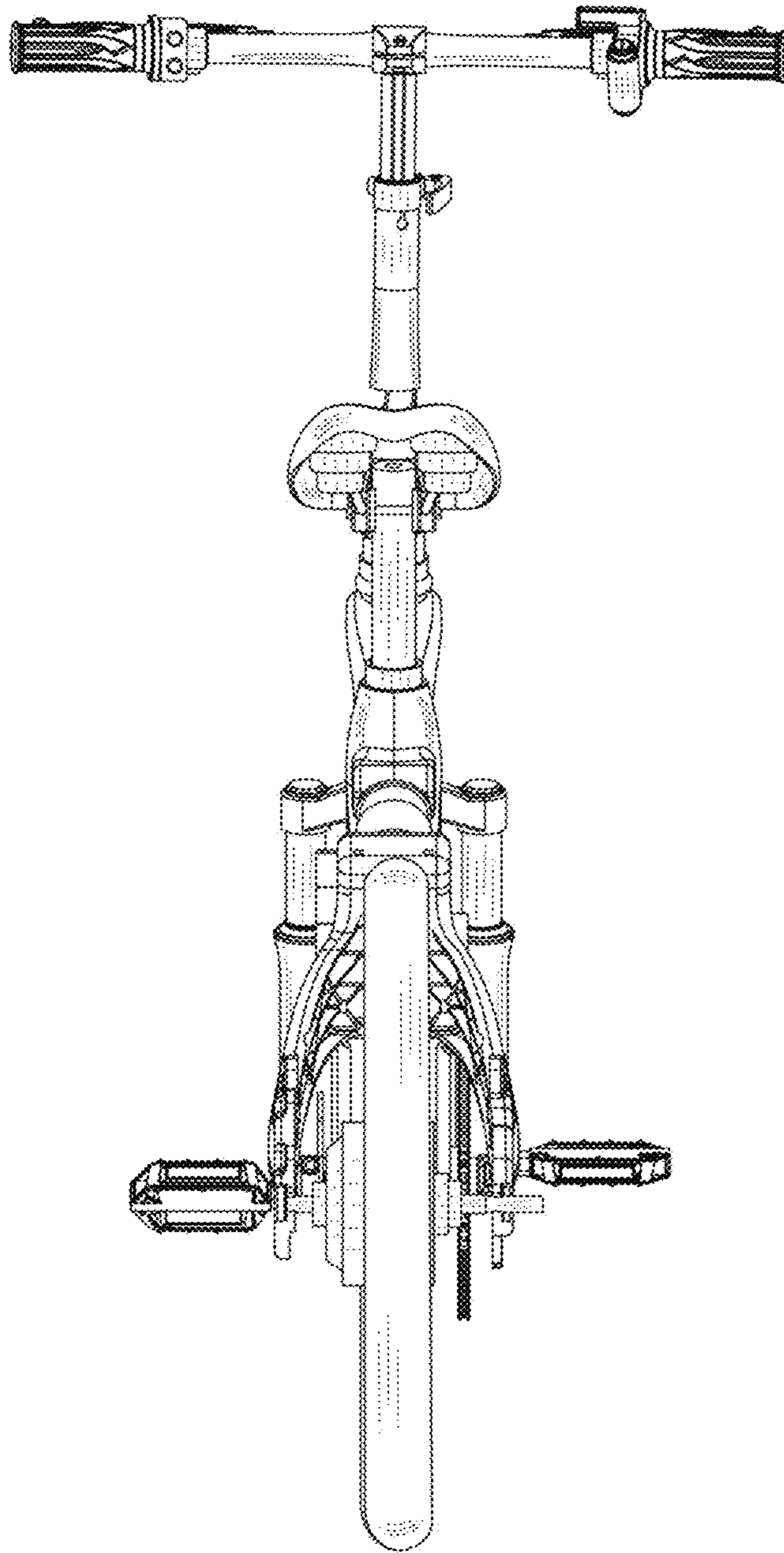


FIG.3

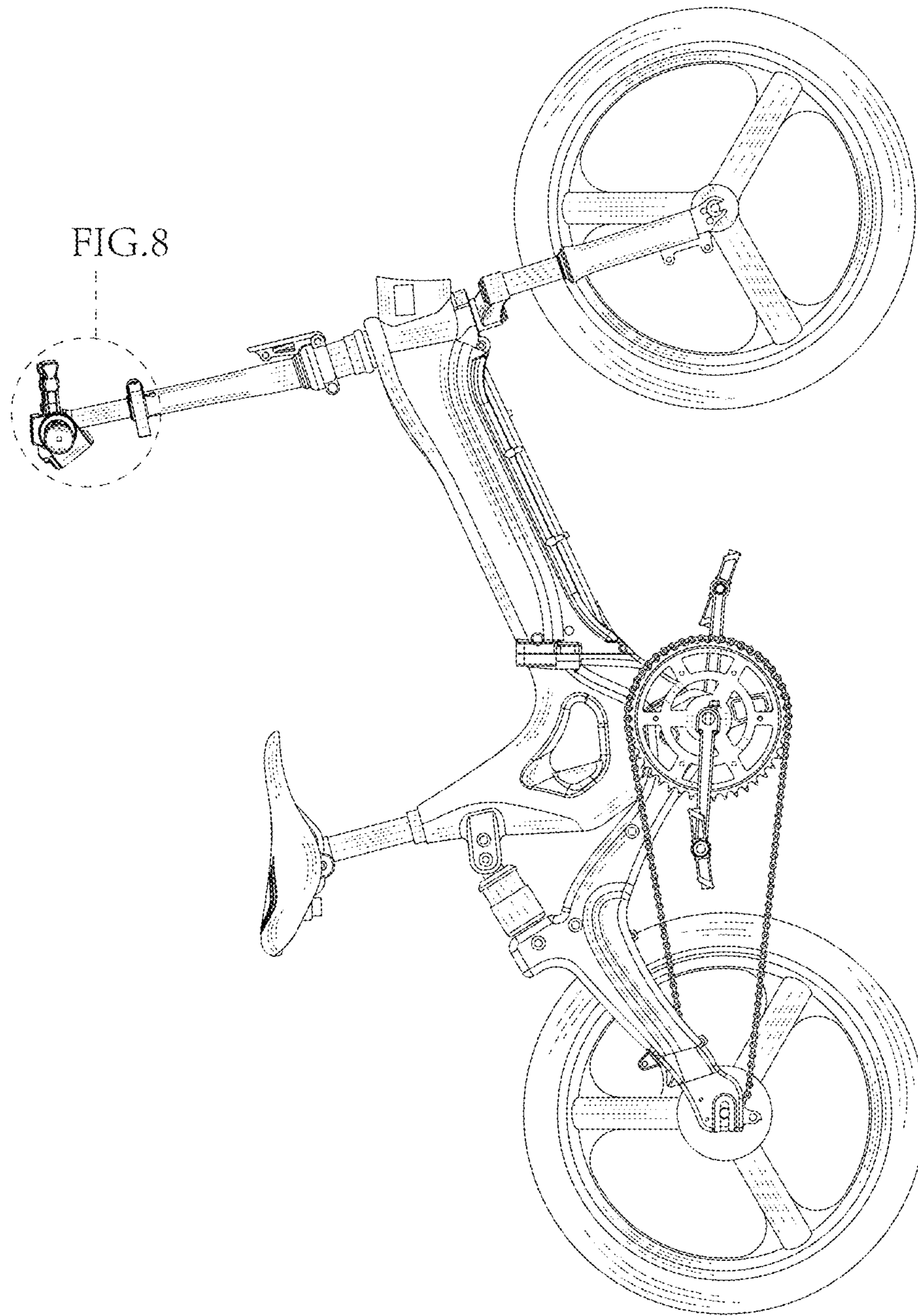


FIG. 4

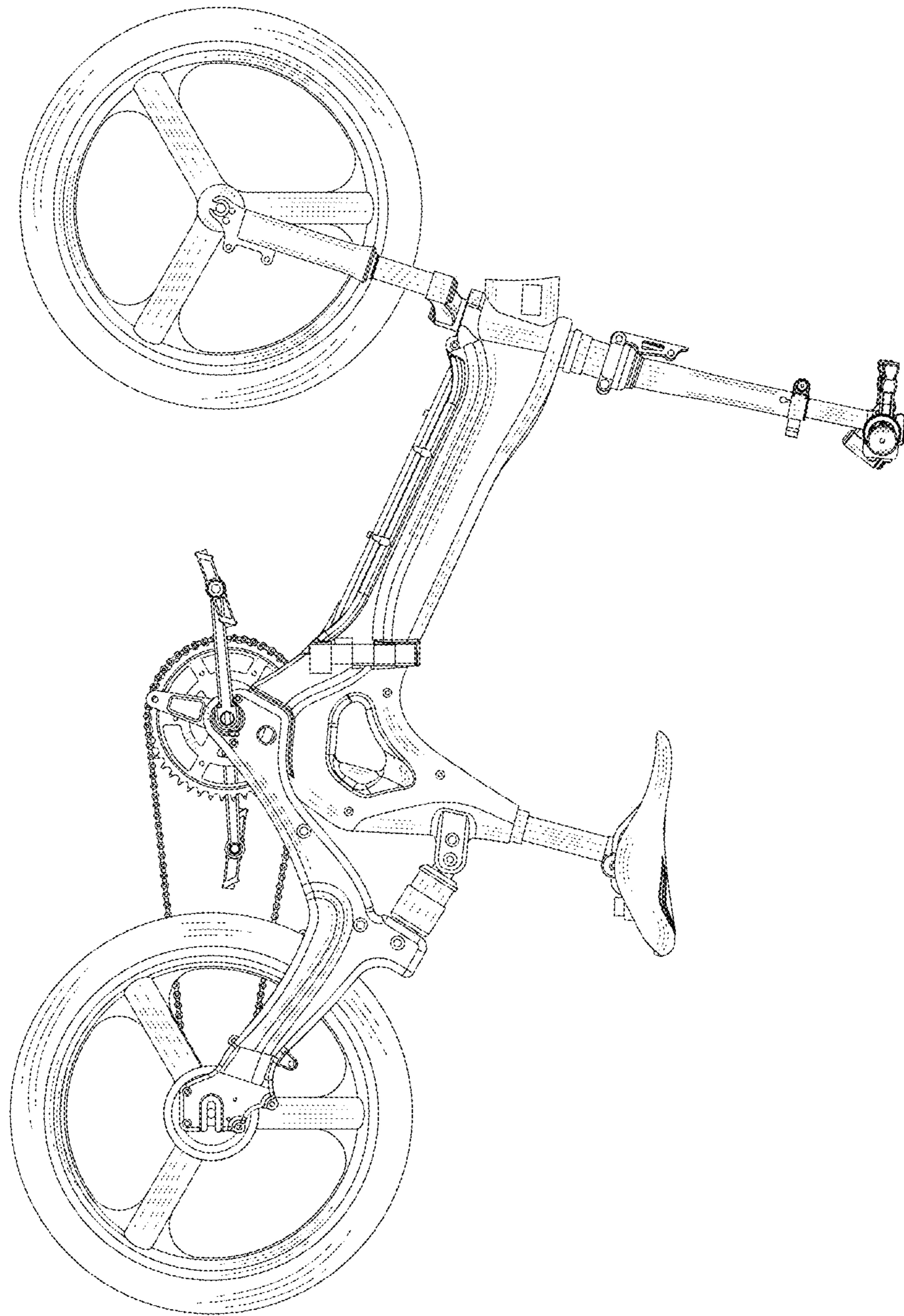


FIG. 5

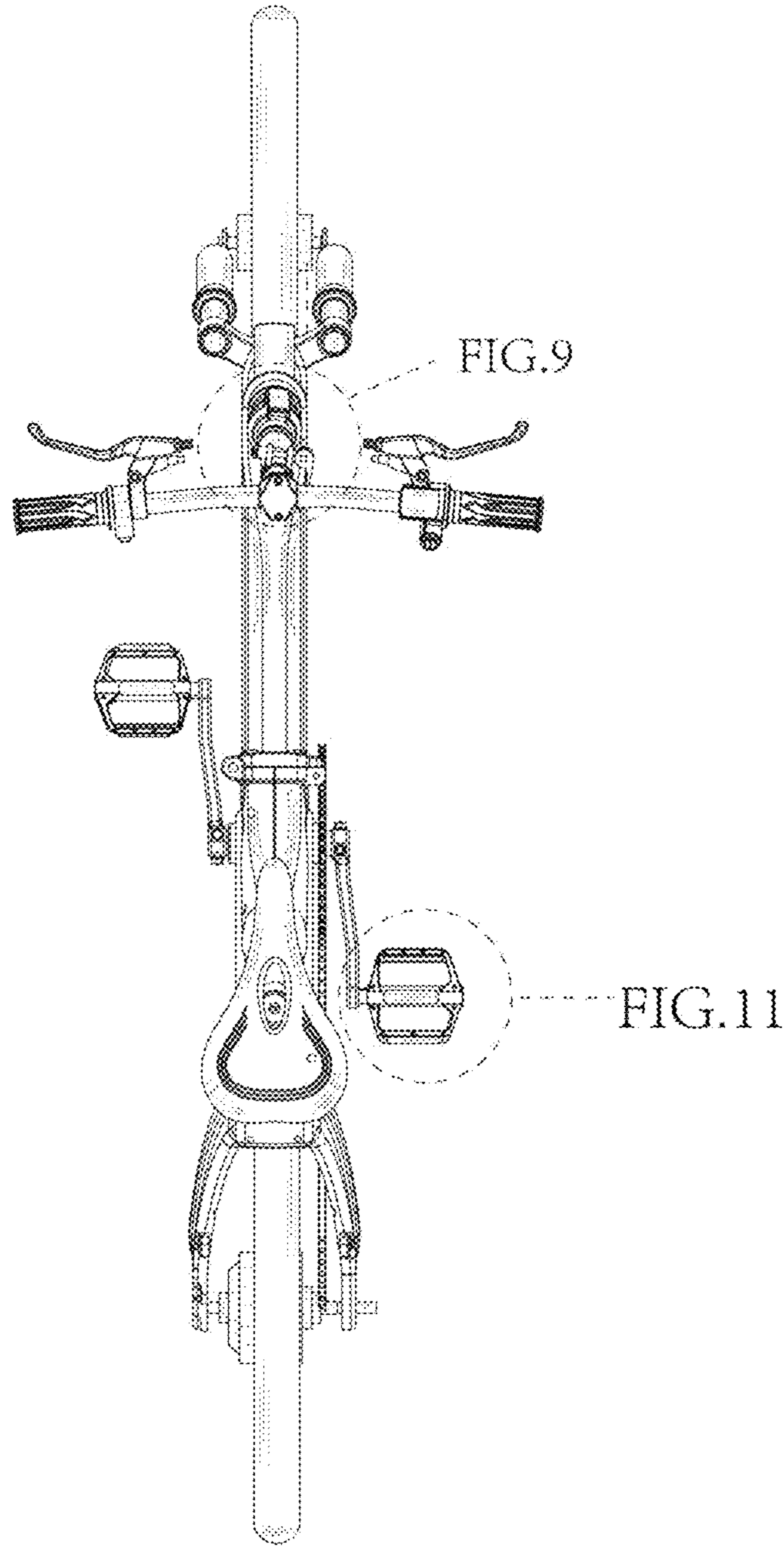


FIG. 6

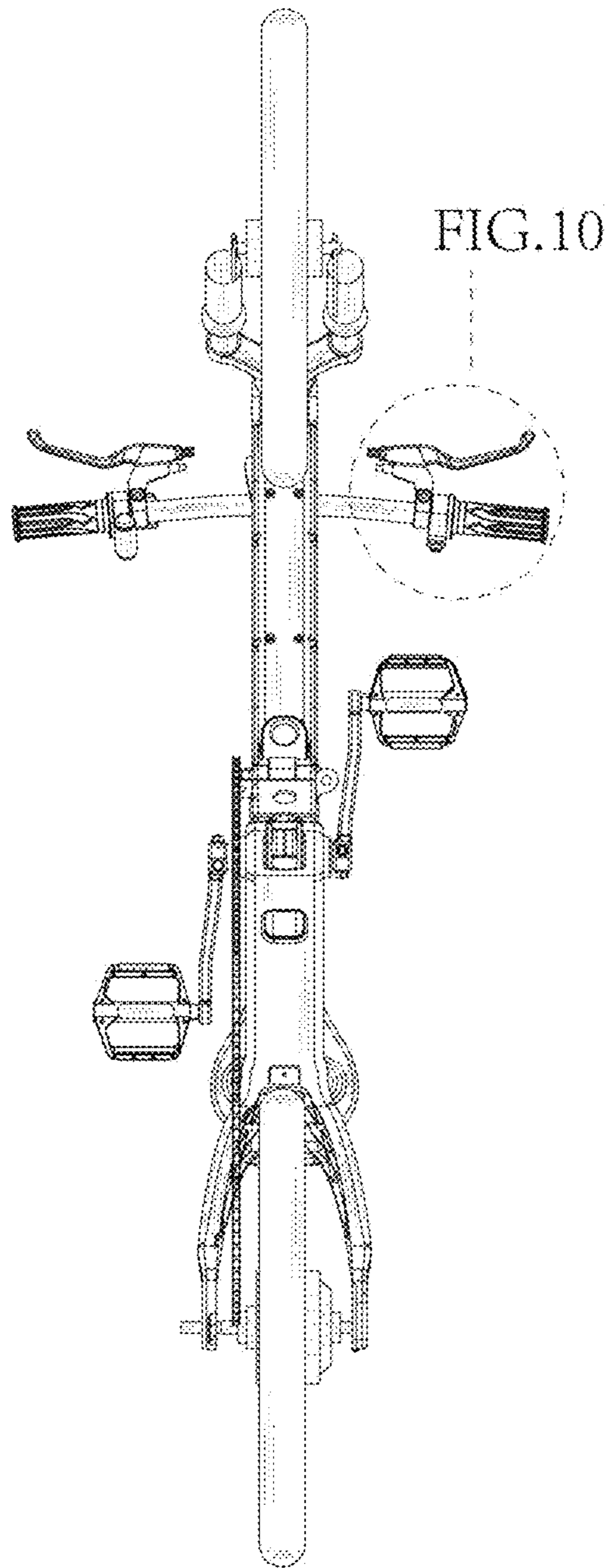


FIG. 7

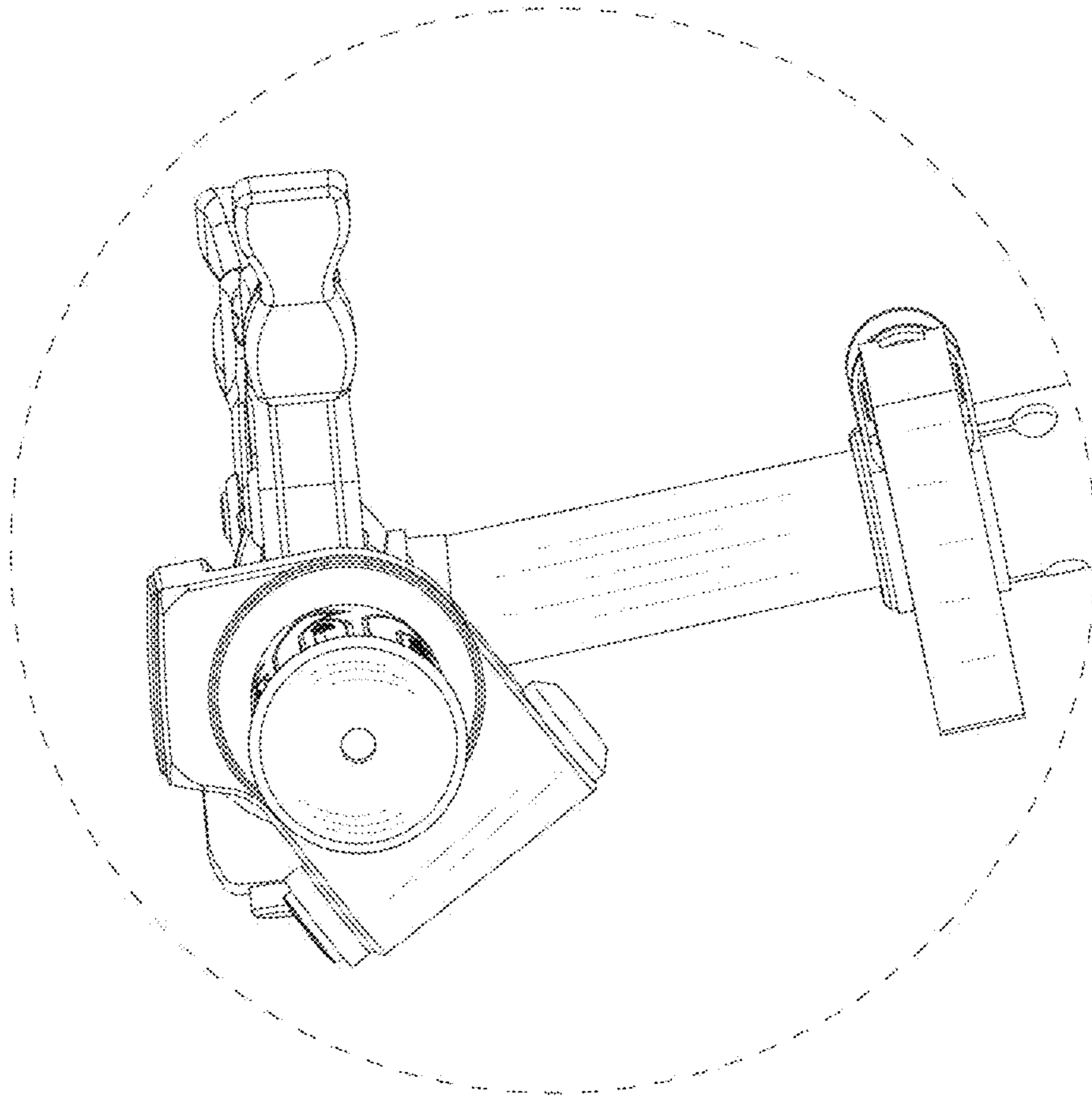


FIG. 8

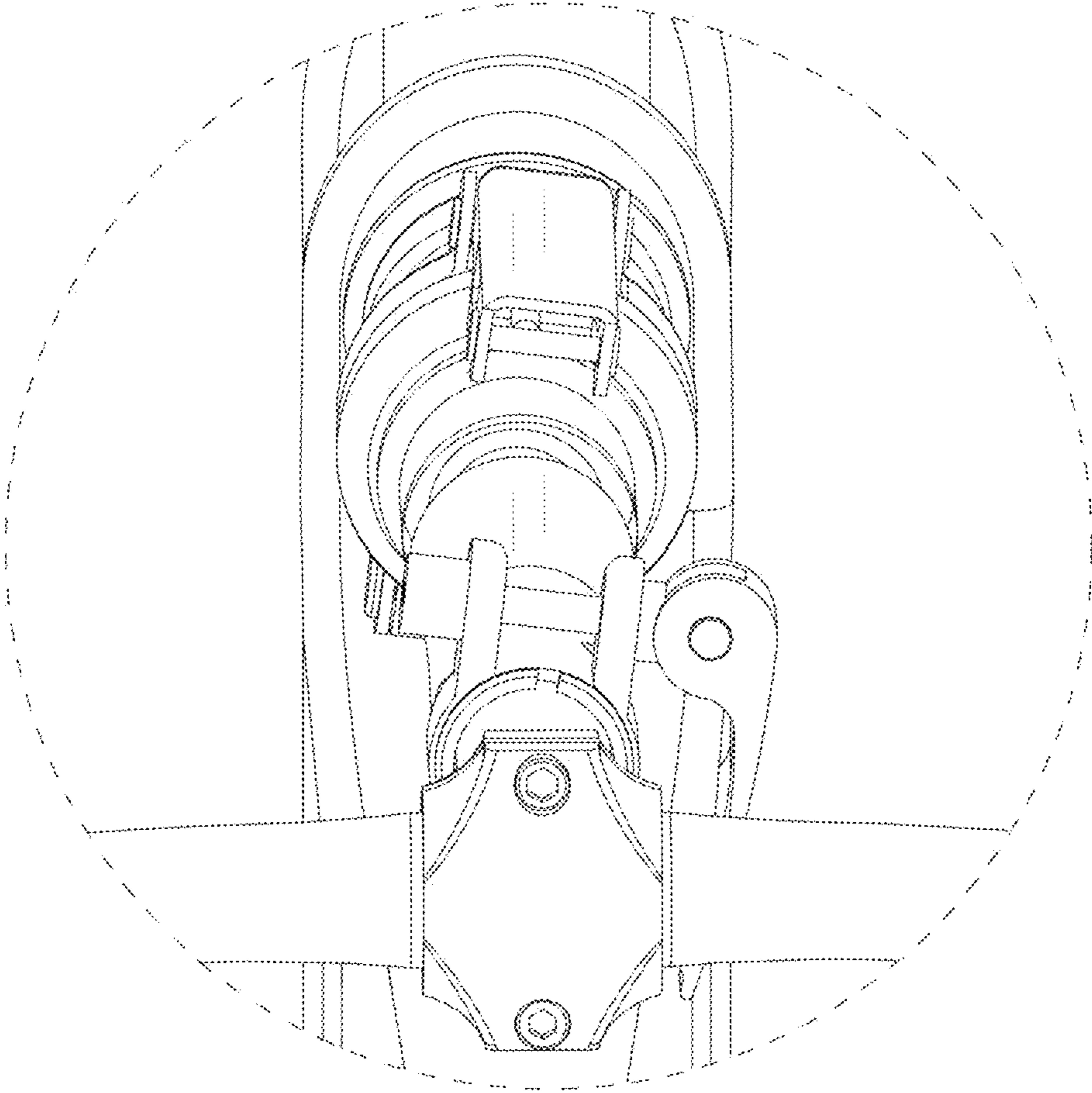


FIG. 9

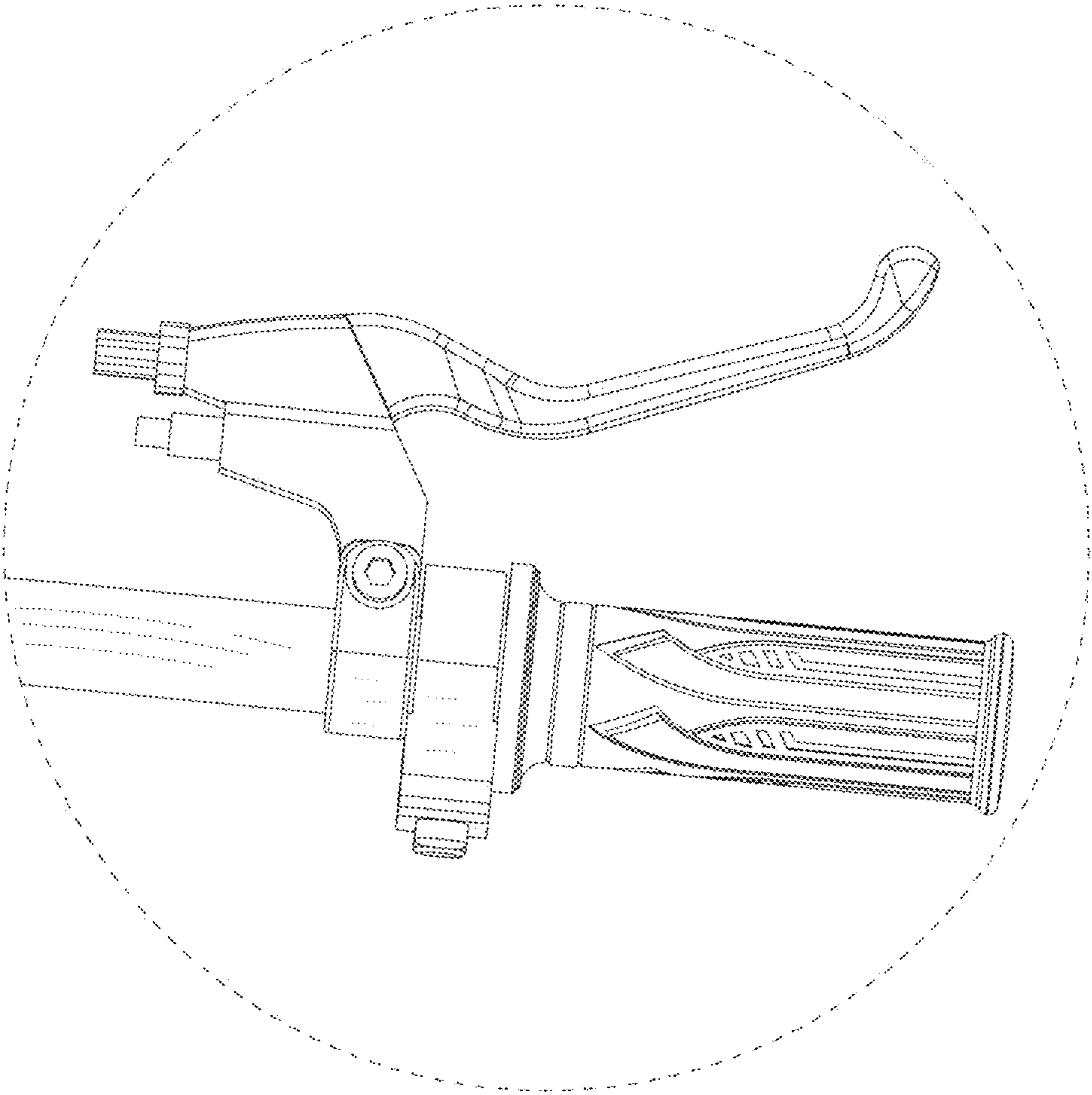


FIG. 10

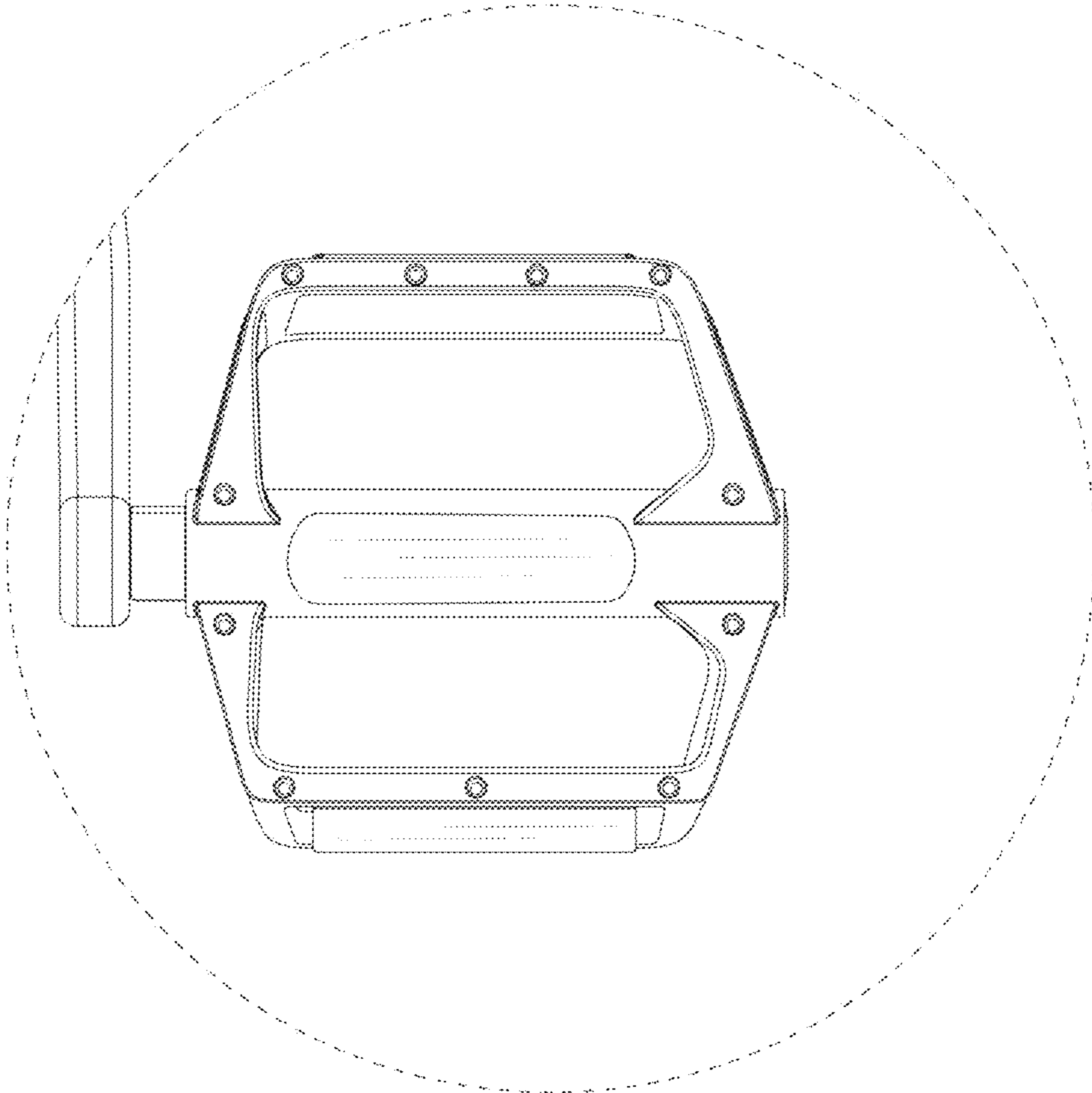


FIG. 11