



(12) **United States Design Patent**
Brickstad

(10) **Patent No.:** **US D969,673 S**
(45) **Date of Patent:** **** Nov. 15, 2022**

(54) **BIKE**
(71) Applicant: **Vassla AB**, Stockholm (SE)
(72) Inventor: **Per Brickstad**, Varmdo (SE)
(73) Assignee: **Vassla AB**, Stockholm (SE)
(**) Term: **15 Years**

(21) Appl. No.: **29/741,576**
(22) Filed: **Jul. 14, 2020**

(30) **Foreign Application Priority Data**

Jan. 23, 2020 (EM) 007548789-0001

(51) **LOC (13) Cl.** **12-11**

(52) **U.S. Cl.**
USPC **D12/111**

(58) **Field of Classification Search**
USPC D12/111, 117-120; D21/419, 432
CPC ... B62K 3/02; B62K 3/06; B62K 3/08; B62K
9/00; B62K 15/00; B62K 15/006; B62K
15/008; B62K 17/00
See application file for complete search history.

(56) **References Cited**

U.S. PATENT DOCUMENTS

D900,681 S * 11/2020 Liu D12/111
D914,548 S * 3/2021 Chen D12/111

D914,549 S * 3/2021 Chen D12/111
D924,102 S * 7/2021 Avery D12/111
D929,906 S * 9/2021 Teal D12/111
D931,146 S * 9/2021 Huang D12/111
D934,120 S * 10/2021 Zhu D12/111
D934,126 S * 10/2021 Avery D12/111
D935,949 S * 11/2021 De Roeck D12/111
D935,950 S * 11/2021 Hu D12/111
2021/0129942 A1 * 5/2021 Chen B62K 19/34

* cited by examiner

Primary Examiner — Darlington Ly

Assistant Examiner — Nasim Abdulaziz Ali

(74) *Attorney, Agent, or Firm* — McDonald Hopkins LLC

(57) **CLAIM**

The ornamental design for a bike, as shown and described.

DESCRIPTION

FIG. 1 is a rear perspective view of a bike showing my new design;

FIG. 2 is a front perspective view thereof;

FIG. 3 is a rear elevation view thereof;

FIG. 4 is bottom plan view thereof;

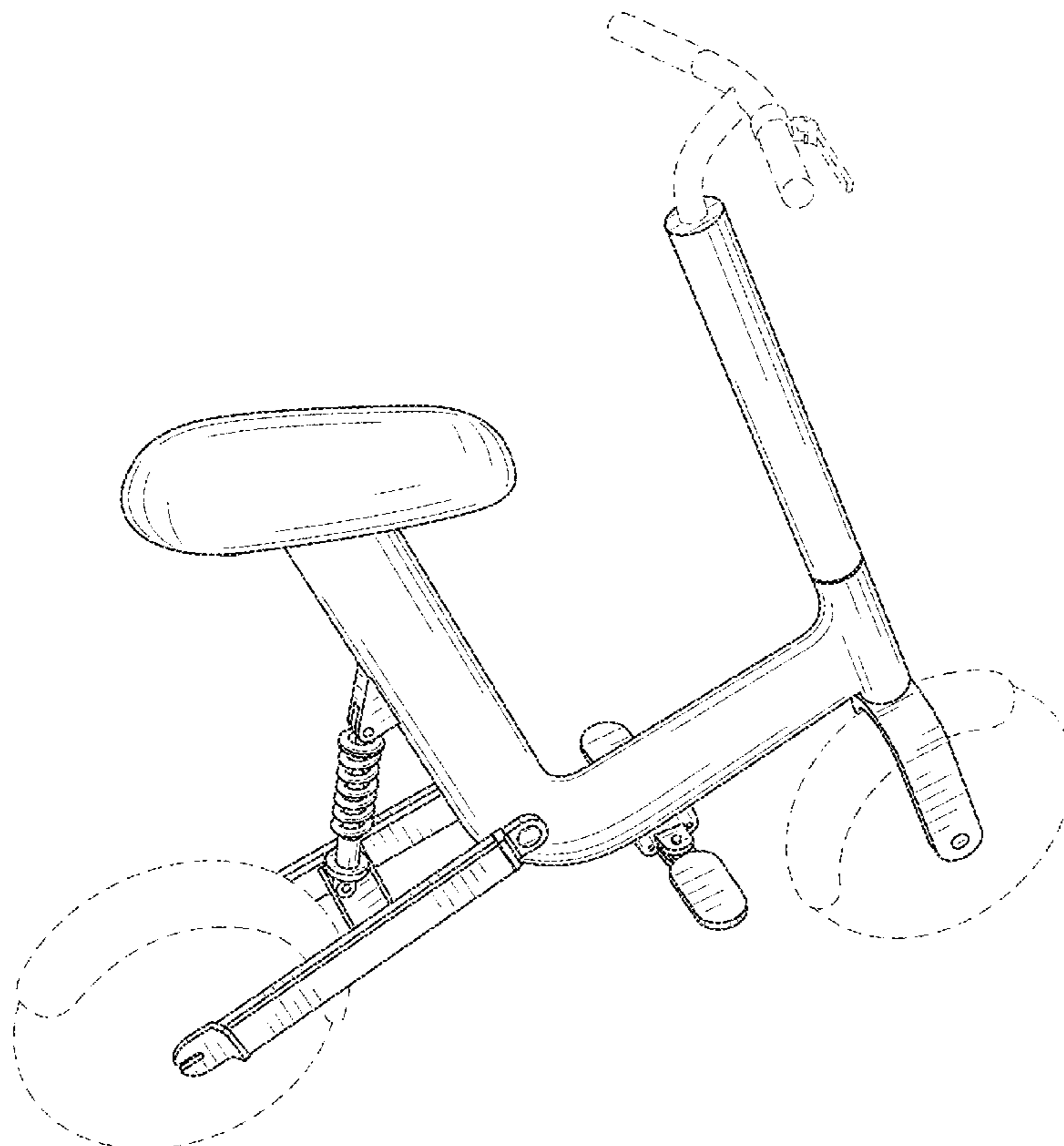
FIG. 5 is a front elevation view thereof;

FIG. 6 is a side elevation view thereof, and,

FIG. 7 is a top plan view thereof.

The broken lines in the figures are included for the purpose of illustrating portions of a bike and form no part of the claimed design.

1 Claim, 7 Drawing Sheets



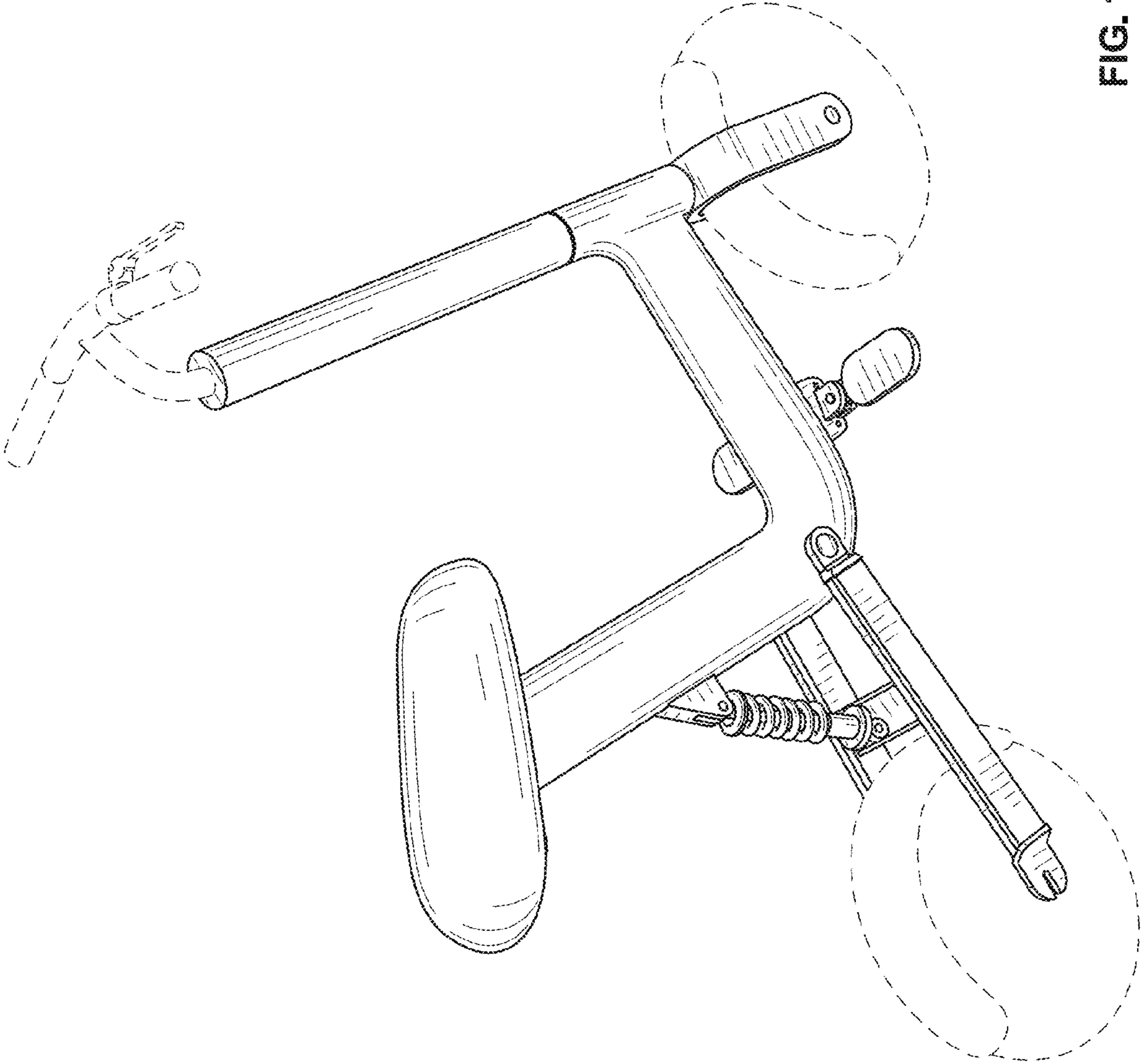


FIG. 1

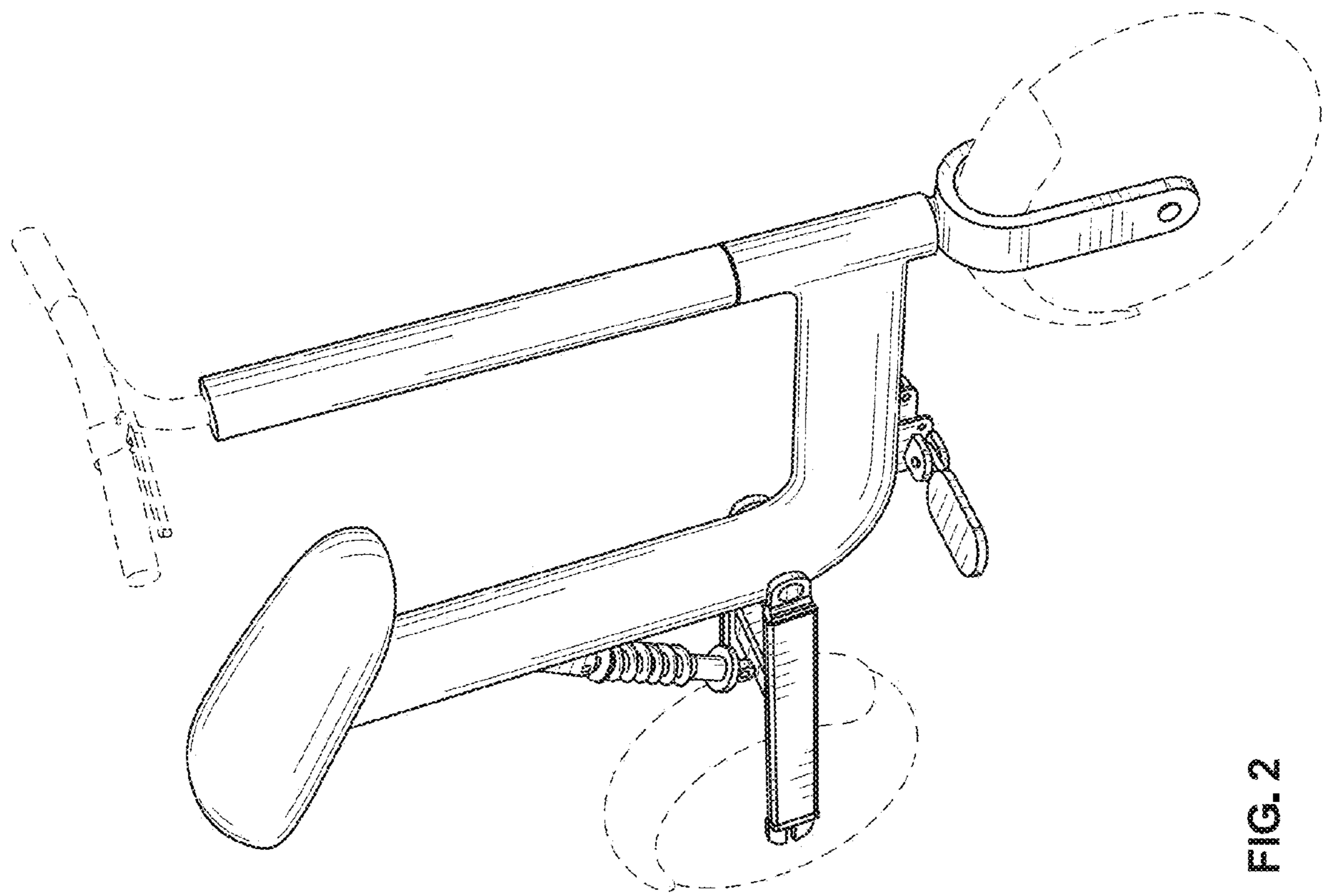


FIG. 2

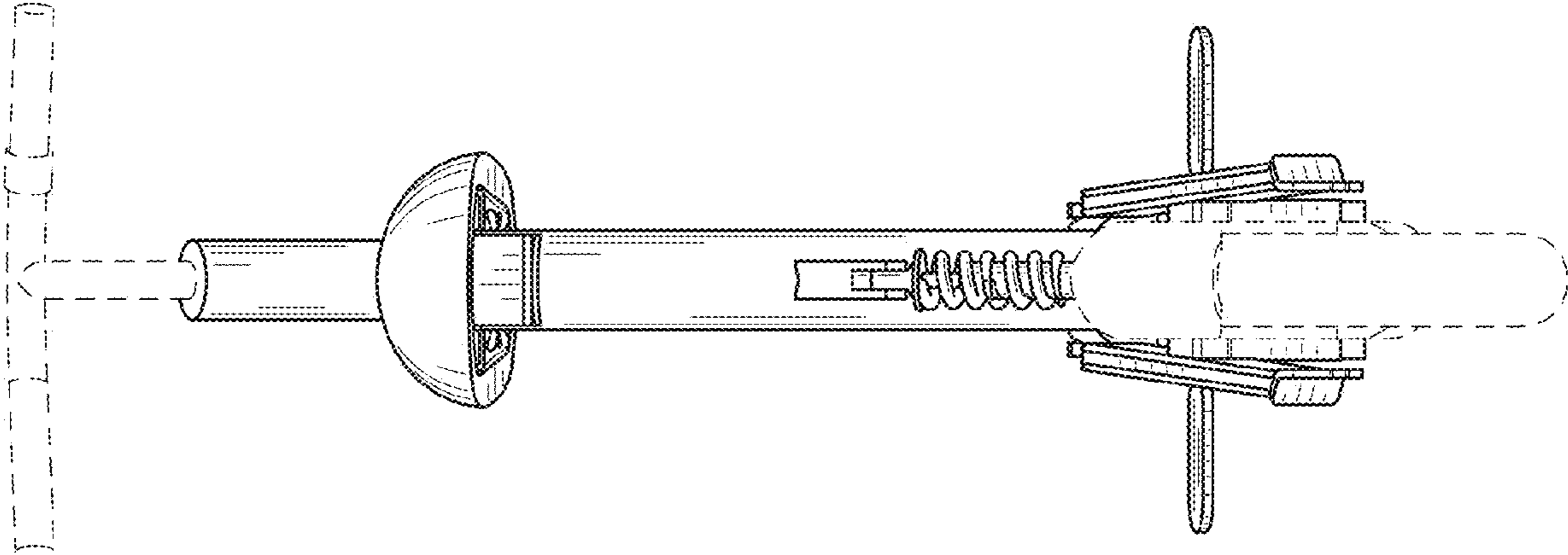


FIG. 3

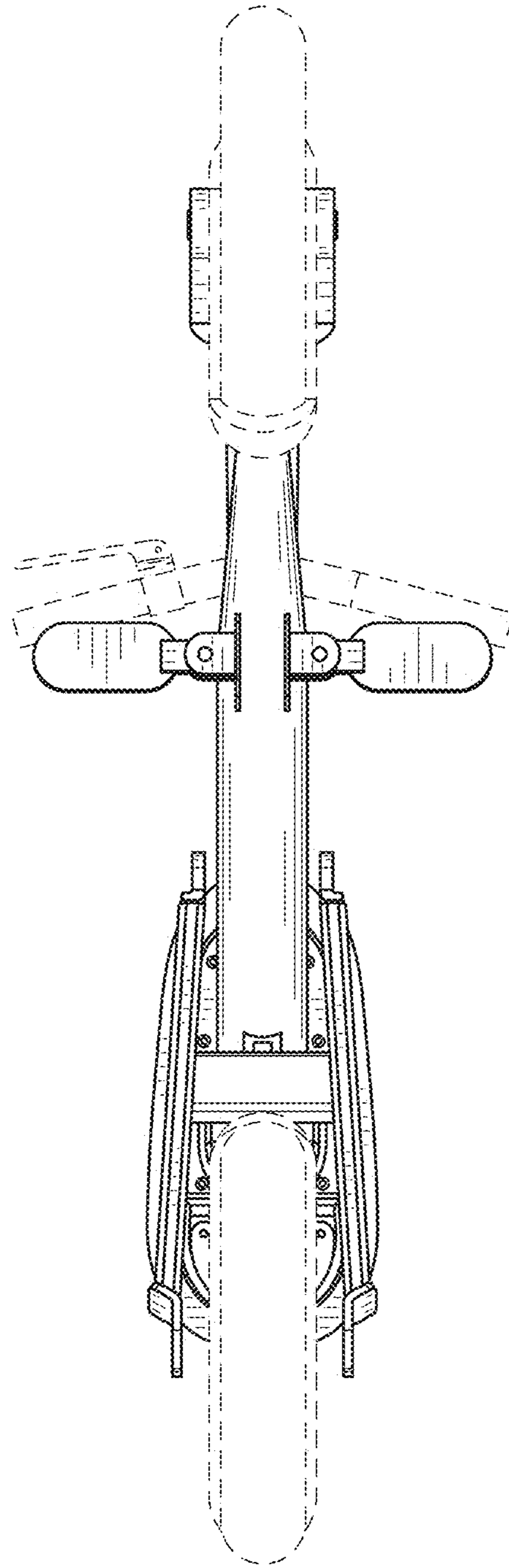


FIG. 4

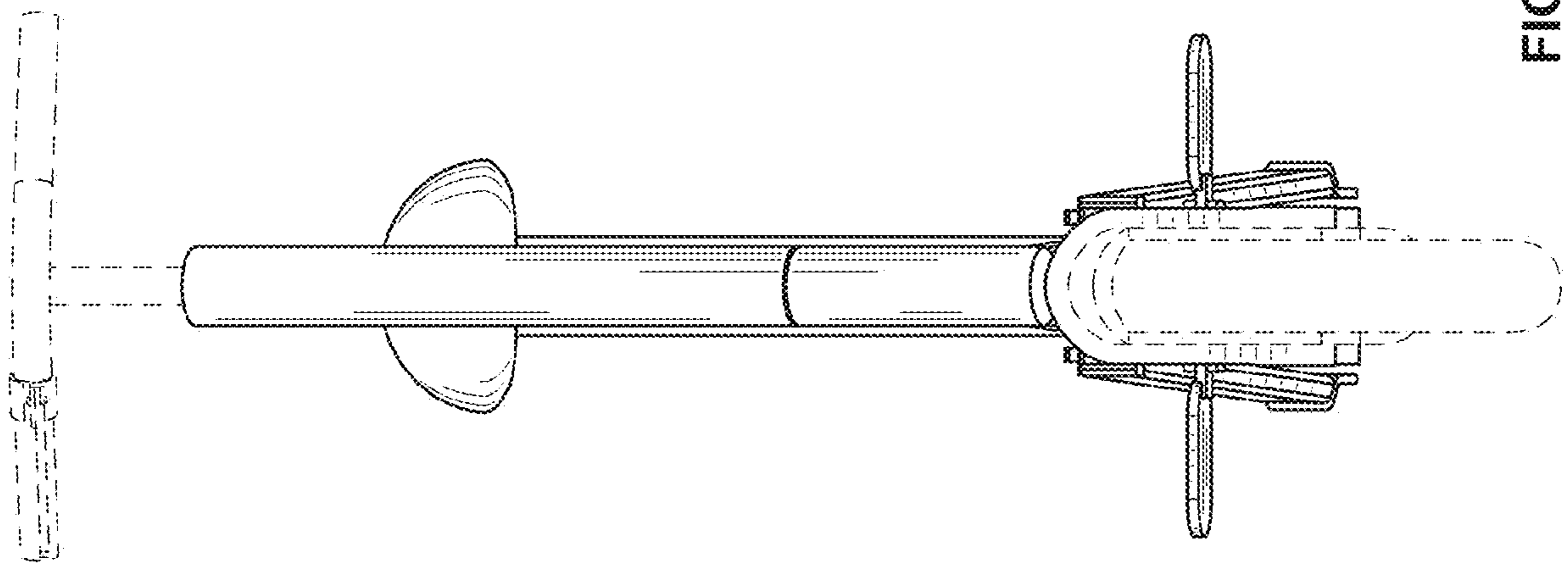


FIG. 5

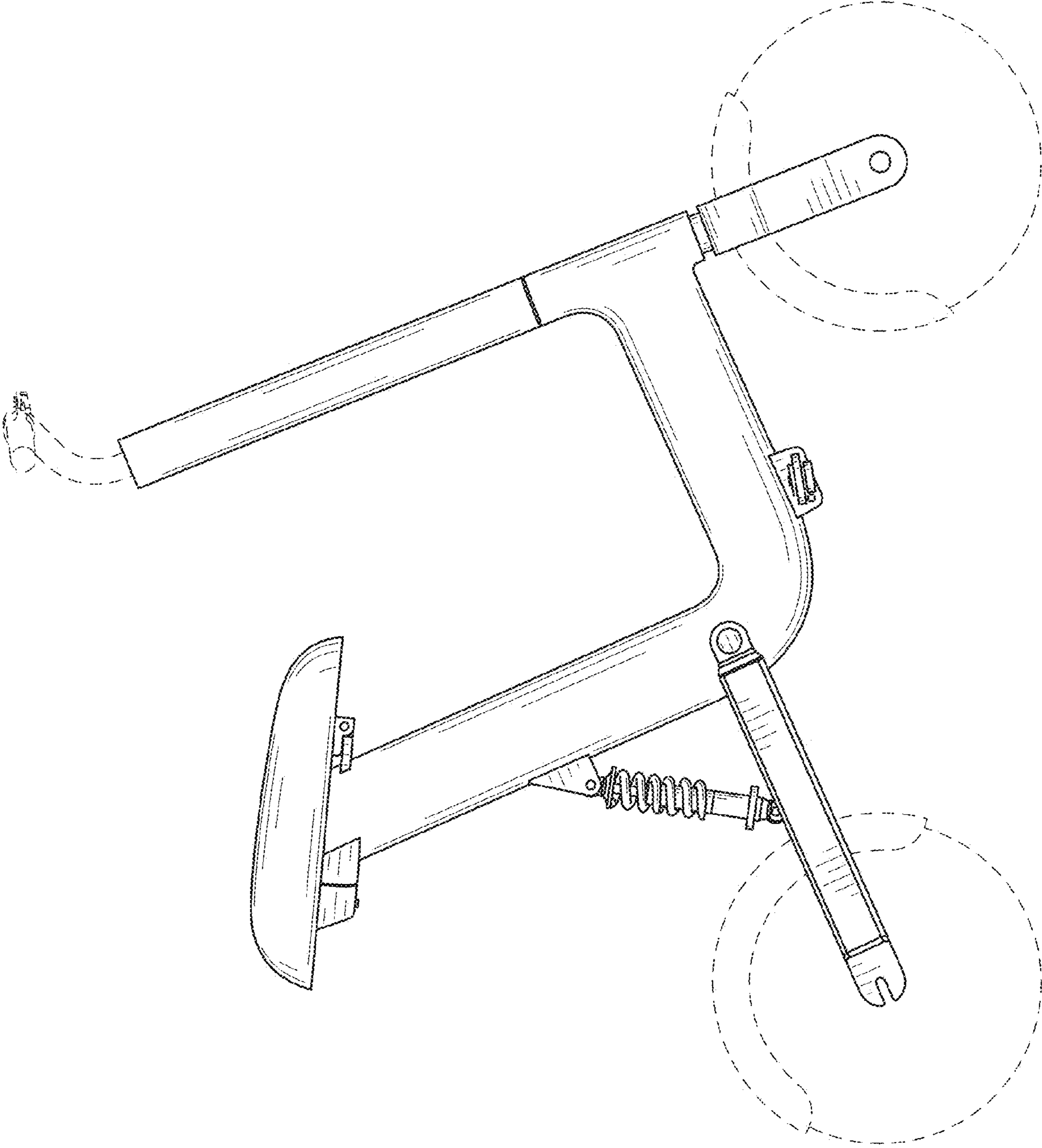


FIG. 6

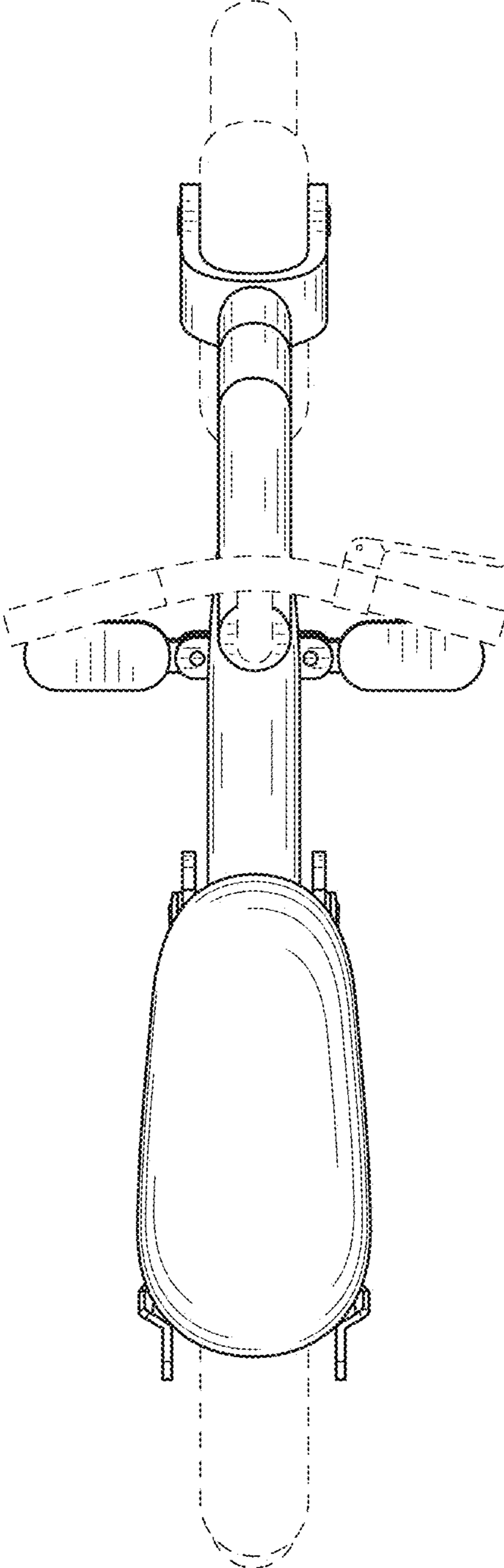


FIG. 7

UNITED STATES PATENT AND TRADEMARK OFFICE
CERTIFICATE OF CORRECTION

PATENT NO. : D969,673 S
APPLICATION NO. : 29/741576
DATED : November 15, 2022
INVENTOR(S) : Per Brickstad

Page 1 of 1

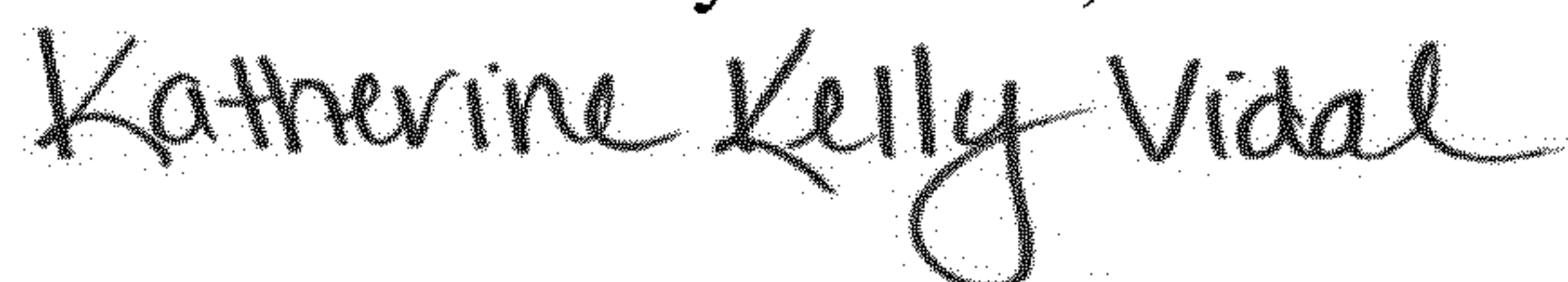
It is certified that error appears in the above-identified patent and that said Letters Patent is hereby corrected as shown below:

On the Title Page

Item (30), foreign priority application should read as follows:

European Union Intellectual Property Office (EM) App. No. 007548789-0001 filed on January 23,
2020

Signed and Sealed this
Eleventh Day of June, 2024



Katherine Kelly Vidal
Director of the United States Patent and Trademark Office