



US00D969672S

(12) **United States Design Patent**
Galluzzi

(10) **Patent No.:** **US D969,672 S**

(45) **Date of Patent:** **** Nov. 15, 2022**

(54) **MOTORCYCLE**

(71) Applicant: **PIAGGIO & C. S.P.A.**, Pontedera (IT)

(72) Inventor: **Miguel Galluzzi**, Pontedera (IT)

(73) Assignee: **PIAGGIO & C. SPA**, Pontedera (IT)

(**) Term: **15 Years**

(21) Appl. No.: **35/512,997**

(22) Filed: **Nov. 8, 2021**

(80) **Hague Agreement Data**

Int. Filing Date: **Nov. 8, 2021**

Int. Reg. No.: **DM/217344**

Int. Reg. Date: **Nov. 8, 2021**

Int. Reg. Pub. Date: **Nov. 26, 2021**

(30) **Foreign Application Priority Data**

May 10, 2021 (EM) 008533848

(51) **LOC (13) Cl.** **12-11**

(52) **U.S. Cl.**
USPC **D12/110**

(58) **Field of Classification Search**
USPC D12/110
CPC B62K 11/00; B62K 11/02; B62K 11/04;
B62K 11/10; B62K 17/00; B62K 19/00;
B62K 2202/00
See application file for complete search history.

(56) **References Cited**

U.S. PATENT DOCUMENTS

D755,681 S * 5/2016 Martin D12/110
D755,682 S * 5/2016 Hahn-Woernle D12/110
D800,023 S * 10/2017 Kottmann D12/110
D805,439 S * 12/2017 Hohdorf D12/110
D816,553 S * 5/2018 Hsieh D12/110
D828,230 S * 9/2018 Cammorata D12/110
D866,403 S * 11/2019 Lambri D12/110
D867,221 S * 11/2019 Tamura D12/110

D871,976 S * 1/2020 Martin D12/110
D875,615 S * 2/2020 Martin D12/110
D875,616 S * 2/2020 Martin D12/110
D875,617 S * 2/2020 Nagase D12/110
D877,661 S * 3/2020 Shigihara D12/110
D884,562 S * 5/2020 Usami D12/110
D902,083 S * 11/2020 Arru D12/110
D914,546 S * 3/2021 Martin D12/110

(Continued)

FOREIGN PATENT DOCUMENTS

JP D2022-02669 * 7/2022

OTHER PUBLICATIONS

“2021 BMW G 310 GS” BMW., posted date Dec. 30, 2021 [online],
[retrieved on Jul. 29, 2022]. Retrieved from the Internet < URL:
<https://www.webbikeworld.com/2021-bmw-g-310-gs/>> (Year: 2021).*

(Continued)

Primary Examiner — Darlington Ly

Assistant Examiner — Nasim Abdulaziz Ali

(74) *Attorney, Agent, or Firm* — Cantor Colburn LLP

(57) **CLAIM**

The ornamental design for a motorcycle, as shown and described.

DESCRIPTION

1. Motorcycle

1.1 is a front and left side perspective view of a motorcycle embodying my new design;

1.2 is a front elevation view thereof;

1.3 is a rear elevation view thereof;

1.4 is a left side elevation view thereof;

1.5 is a right side elevation view thereof;

1.6 is a top plan view thereof;

1.7 is a rear and right side perspective view thereof;

1.8 is a bottom plan view thereof;

1.9 is a front and right side perspective view thereof; and

1.10 is a rear and left side perspective view thereof.

1 Claim, 10 Drawing Sheets



(56)

References Cited

U.S. PATENT DOCUMENTS

D934,735 S * 11/2021 Takizawa D12/110
D934,736 S * 11/2021 Sasaki D12/110
D940,009 S * 1/2022 Arru D12/110
2012/0318598 A1 * 12/2012 Fujiyama B60K 5/12
180/219
2019/0302452 A1 * 10/2019 Nishida B62J 17/04

OTHER PUBLICATIONS

“Review: 2021 Kawasaki Versys 1000 S, Fast Touring” Kawasaki.,
posted date Apr. 21, 2021 [online], [retrieved on Jul. 29, 2022].
Retrieved from the Internet <URL: <https://bikereview.com.au/review-2021-kawasaki-versys-1000-s-fast-touring/>> (Year: 2021).*

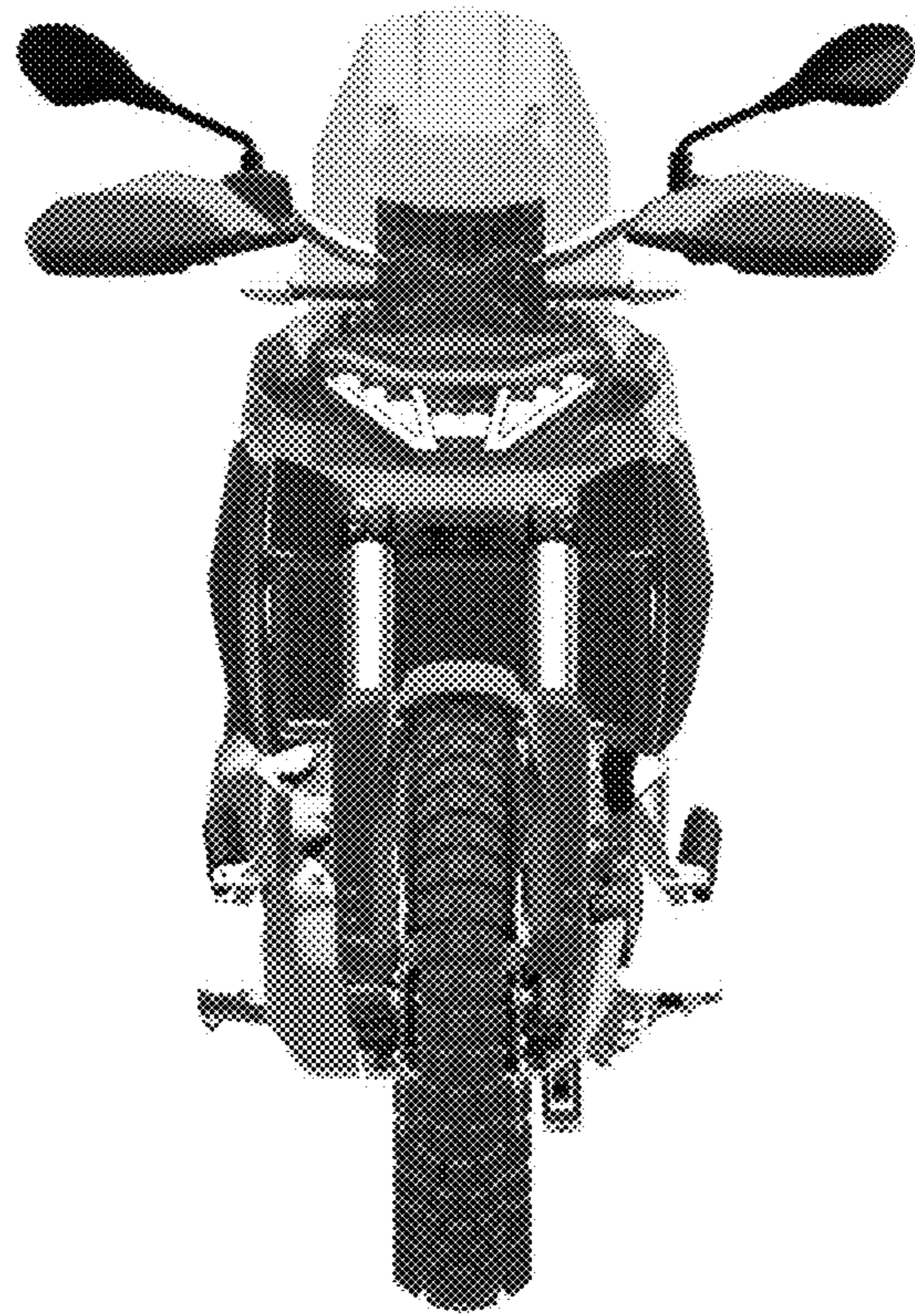
“Zero reveals its new 2021 electric motorcycle lineup” Zero., posted
date Oct. 13, 2020 [online], [retrieved on Jul. 29, 2022]. Retrieved
from the Internet <URL: <https://electrek.co/2020/10/13/zero-reveals-its-new-2021-electric-motorcycle-lineup/>> (Year: 2020).*

* cited by examiner

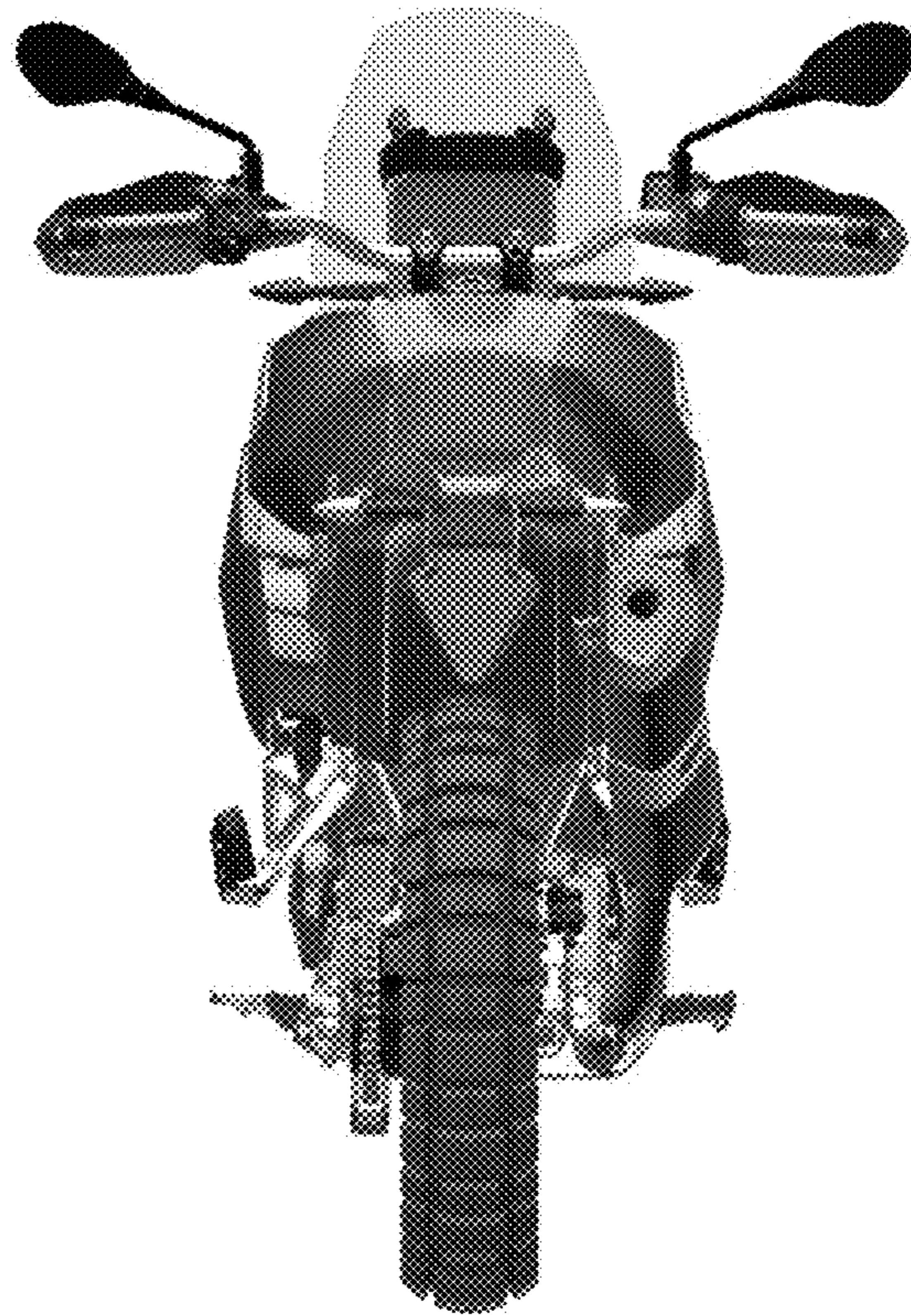
1.1



1.2



1.3



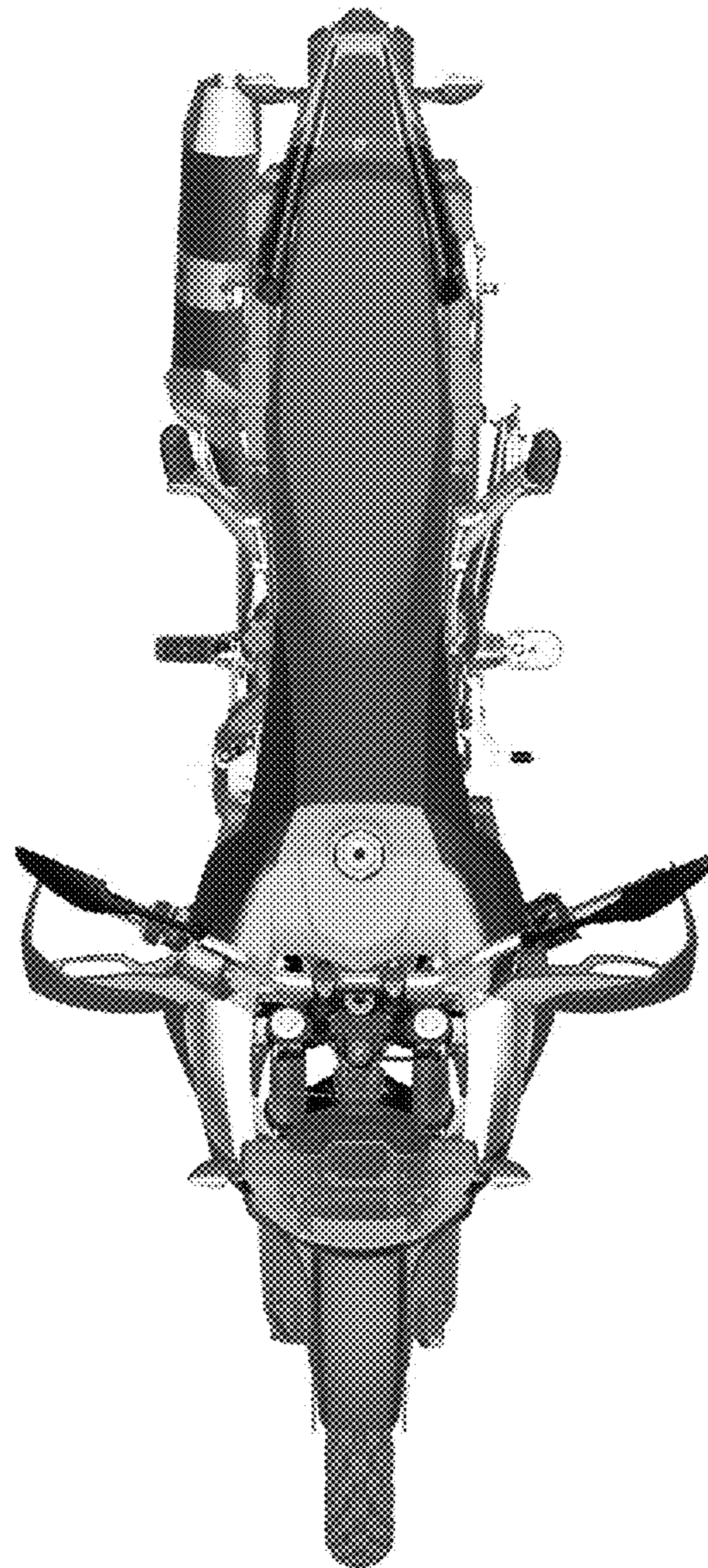
1.4



1.5



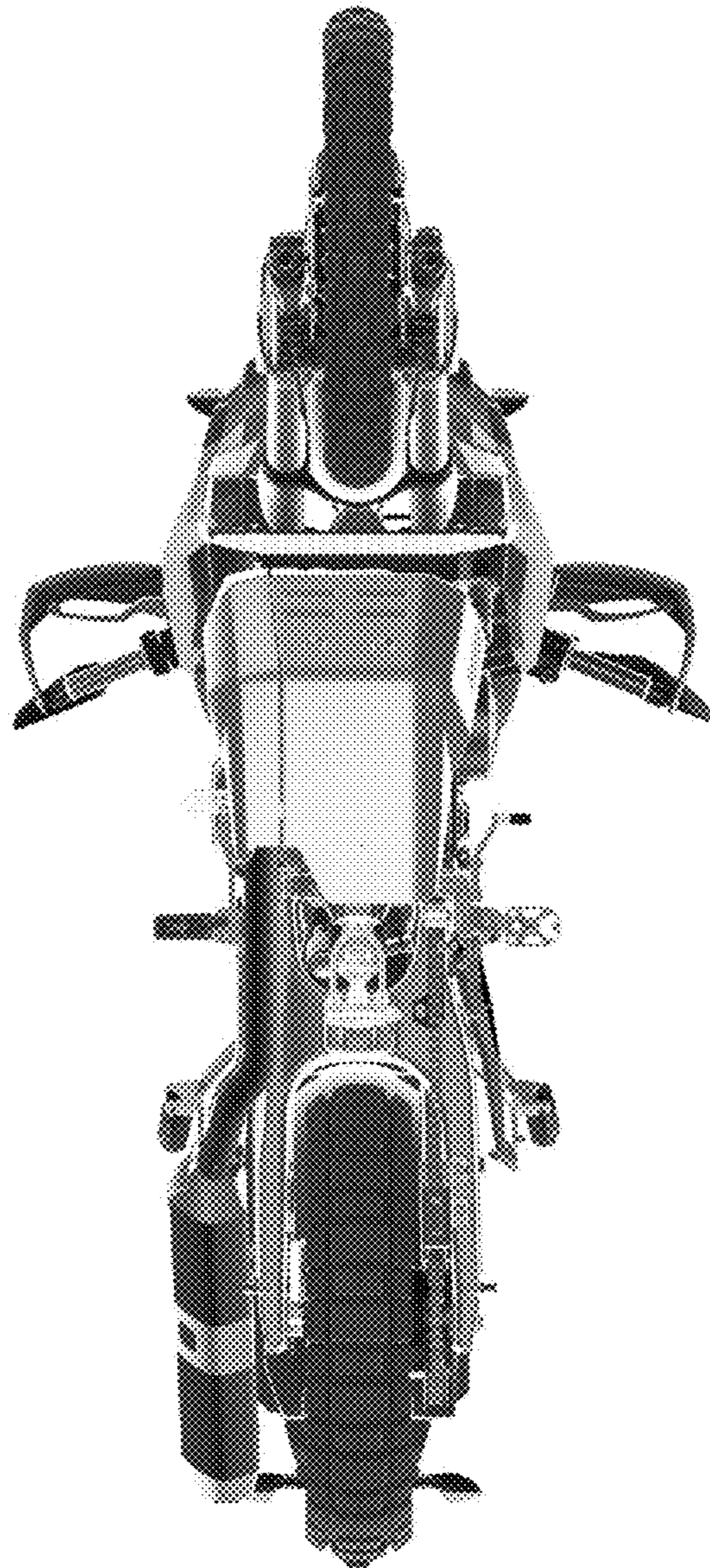
1.6



1.7



1.8



1.9



1.10

