

US00D969671S

(12) **United States Design Patent**
Trapani

(10) **Patent No.:** **US D969,671 S**

(45) **Date of Patent:** **** Nov. 15, 2022**

(54) **DELIVERY DRONE**
(71) Applicant: **Matteo Trapani**, Zurich (CH)
(72) Inventor: **Matteo Trapani**, Zurich (CH)
(**) Term: **15 Years**
(21) Appl. No.: **35/510,701**
(22) Filed: **Oct. 4, 2020**

(80) **Hague Agreement Data**

Int. Filing Date: **Oct. 4, 2020**
Int. Reg. No.: **DM/211008**
Int. Reg. Date: **Oct. 4, 2020**
Int. Reg. Pub. Date: **Nov. 6, 2020**

(51) **LOC (13) Cl.** **12-06**

(52) **U.S. Cl.**
USPC **D12/16.1**

(58) **Field of Classification Search**
USPC D12/16.1, 19, 322, 323, 326, 327, 328,
D12/329, 330, 339, 341, 342, 343, 344;
D21/436, 438, 439, 440, 441, 446, 447,
D21/448, 449, 450, 453
CPC B64C 5/06; B64C 29/00; B64C 30/00;
B64C 39/00; B64C 39/024
See application file for complete search history.

(56) **References Cited**

U.S. PATENT DOCUMENTS

D235,769 S * 7/1975 Sather D12/16.1
D277,976 S * 3/1985 Holloway D12/16.1
D706,678 S * 6/2014 Earon D12/16.1
D763,733 S * 8/2016 Gattelli D12/16.1
D783,453 S * 4/2017 Klick D12/16.1
D787,983 S * 5/2017 Fargeau D12/16.1
9,840,323 B1 * 12/2017 Kaiser B64D 35/06
D810,621 S * 2/2018 Sadek D12/16.1
D824,804 S * 8/2018 Tian D12/16.1

D832,141 S * 10/2018 Ferner D12/16.1
10,179,647 B1 * 1/2019 Meugnier H05K 7/1417
D843,306 S * 3/2019 Tzarnotzky D12/329
D843,919 S * 3/2019 Tzarnotzky D12/329
D866,394 S * 11/2019 Shih D12/16.1
D872,681 S * 1/2020 Tzarnotzky D12/329
D873,200 S * 1/2020 Langford, III D12/319
D873,202 S * 1/2020 Tzarnotzky D12/329
D876,988 S * 3/2020 Stepura D12/16.1

(Continued)

Primary Examiner — Darlington Ly

(57) **CLAIM**

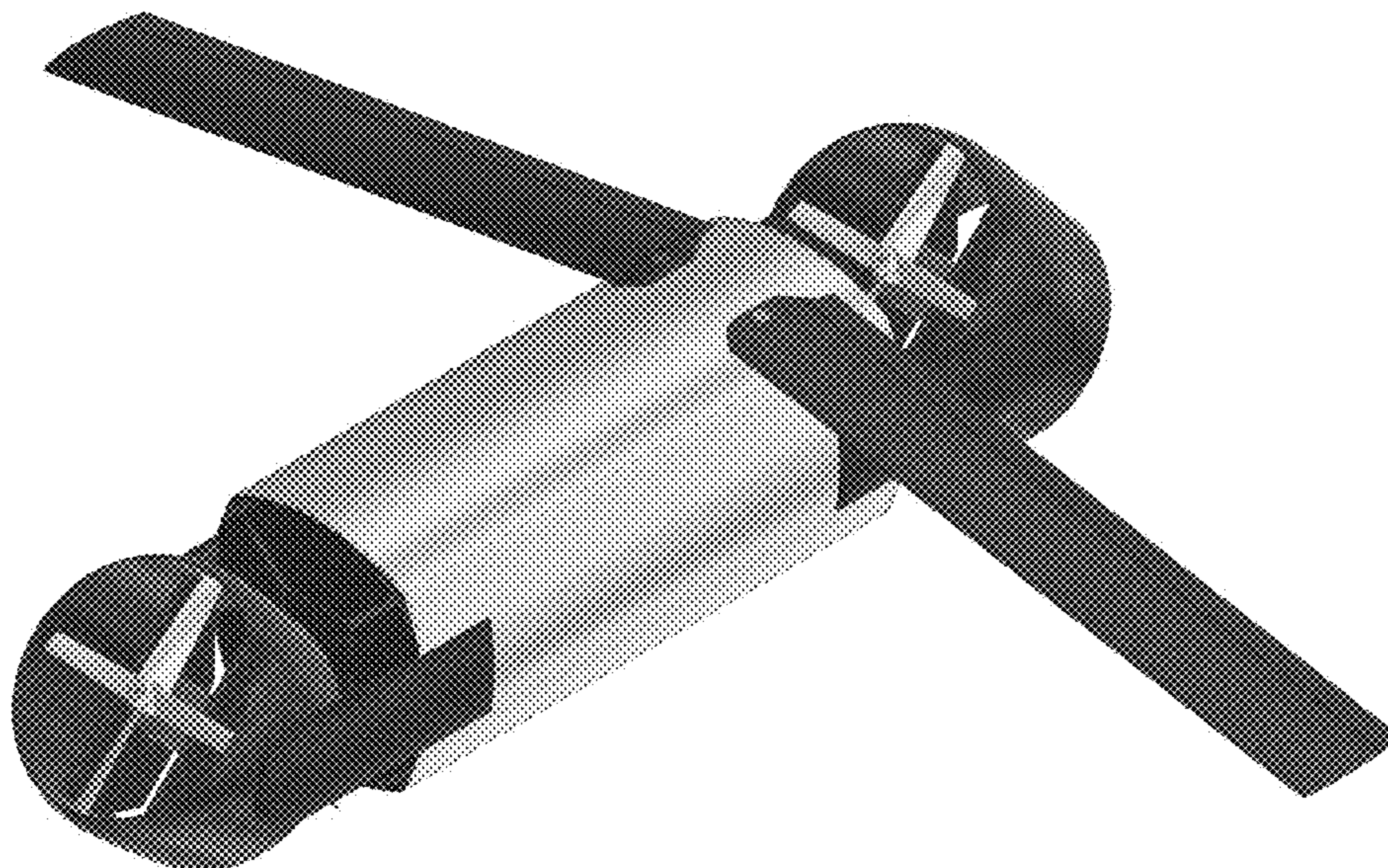
The ornamental design for a delivery drone, as shown and described.

DESCRIPTION

The patent or application file contains at least one drawing executed in color. Copies of this patent or patent application publication with color drawing(s) will be provided by the Office upon request and payment of the necessary fee.

1.-4. Delivery drone
2.1 is a perspective view of a delivery drone embodying my new design;
2.2 is a perspective view thereof with the wings in a folded;
2.3 is a top and left side perspective view thereof with the wings folded;
2.4 is a left side elevation view thereof with the wings folded;
2.5 is a perspective view thereof with the wings partially folded; and
2.6 is a top plan view thereof with the wings partially folded. Unmanned vertical take-off and landing deliver drone, equipped with foldable wings and tilting/rotating propulsion units, located in front and behind the main fuselage body. When rear propulsion unit case/fairing is aligned with the fuselage body (un-tilted), the drone may be stood upright as shown in reproduction **2.3**.

1 Claim, 6 Drawing Sheets
(6 of 6 Drawing Sheet(s) Filed in Color)



(56)

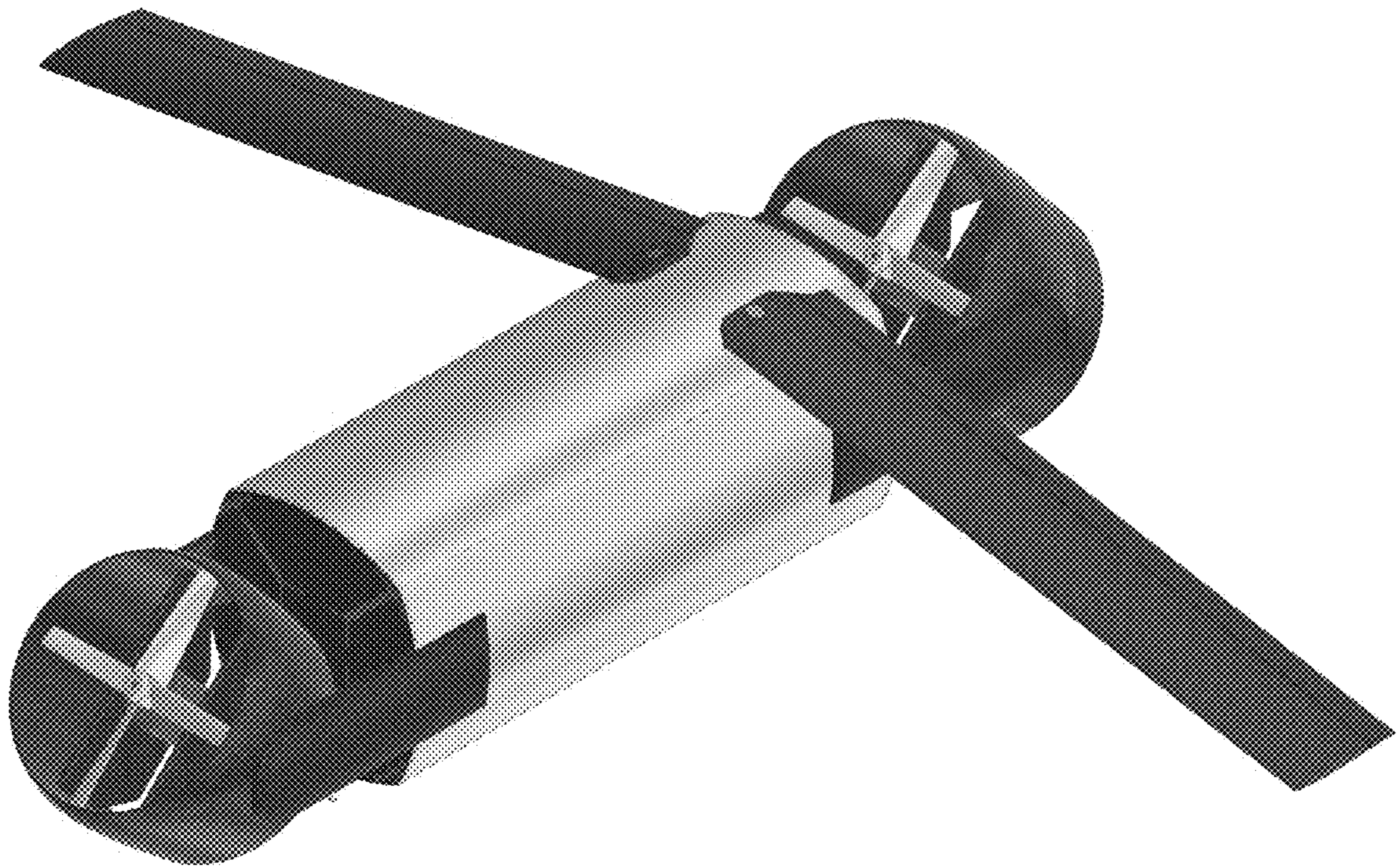
References Cited

U.S. PATENT DOCUMENTS

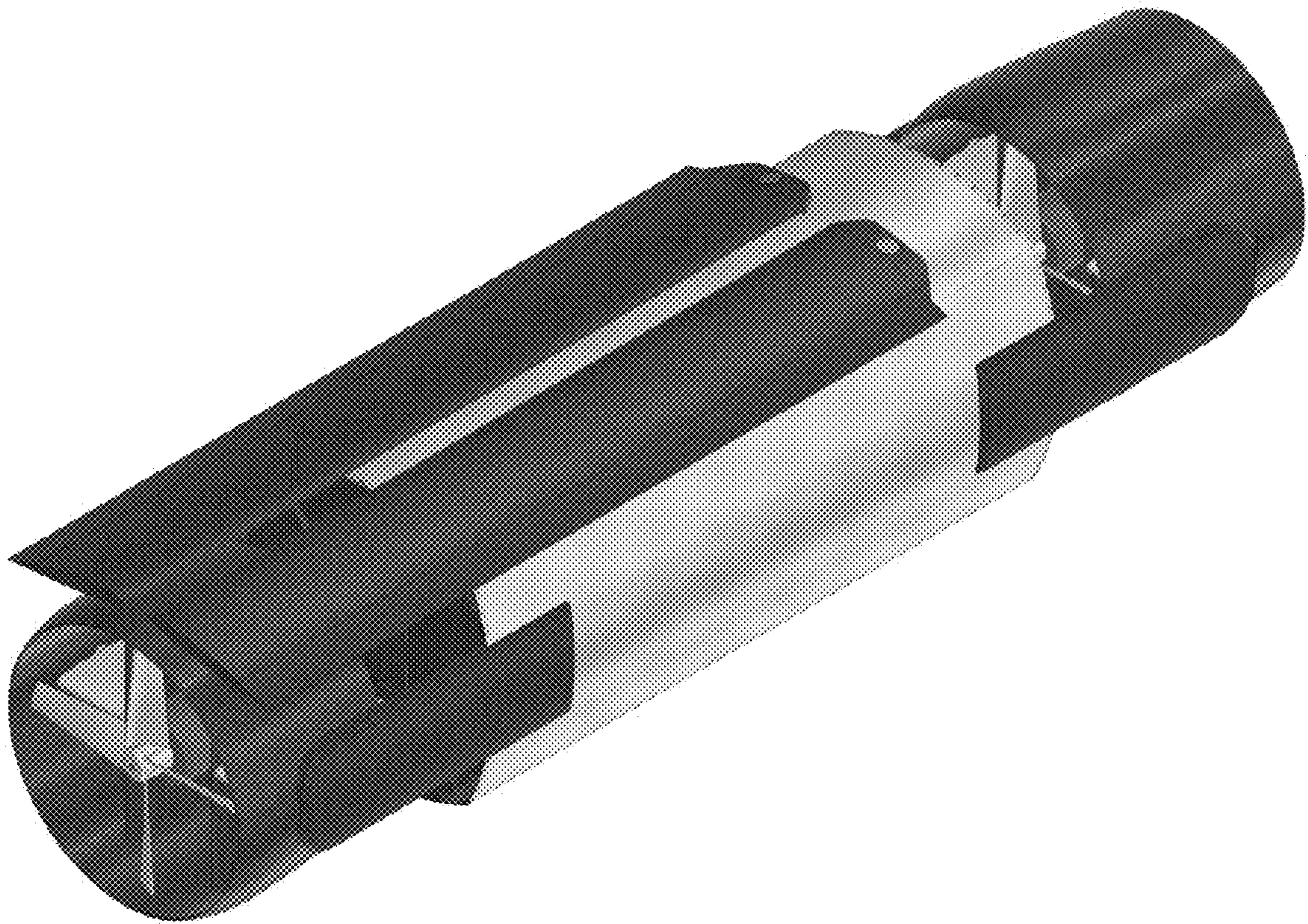
D899,302 S * 10/2020 Holgate D12/16.1
D908,625 S * 1/2021 Forrette D13/115
D909,278 S * 2/2021 Williams D12/326
D914,171 S * 3/2021 Melo D23/326
2014/0332620 A1* 11/2014 Earon B64D 47/08
244/13
2017/0349281 A1* 12/2017 Quinlan B64D 5/00

* cited by examiner

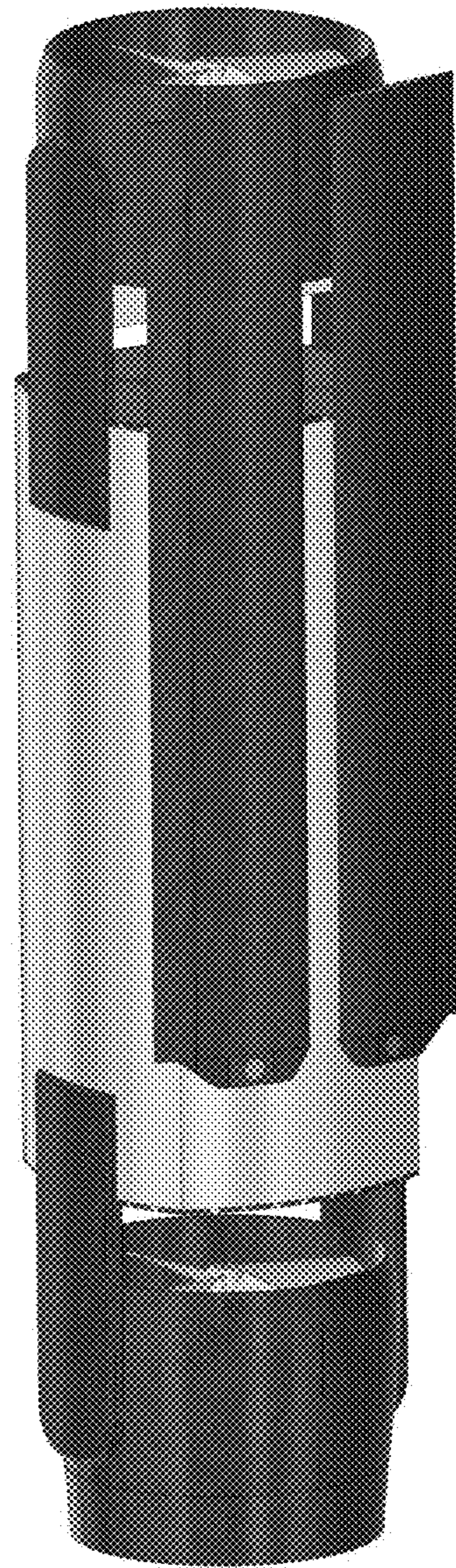
2.1



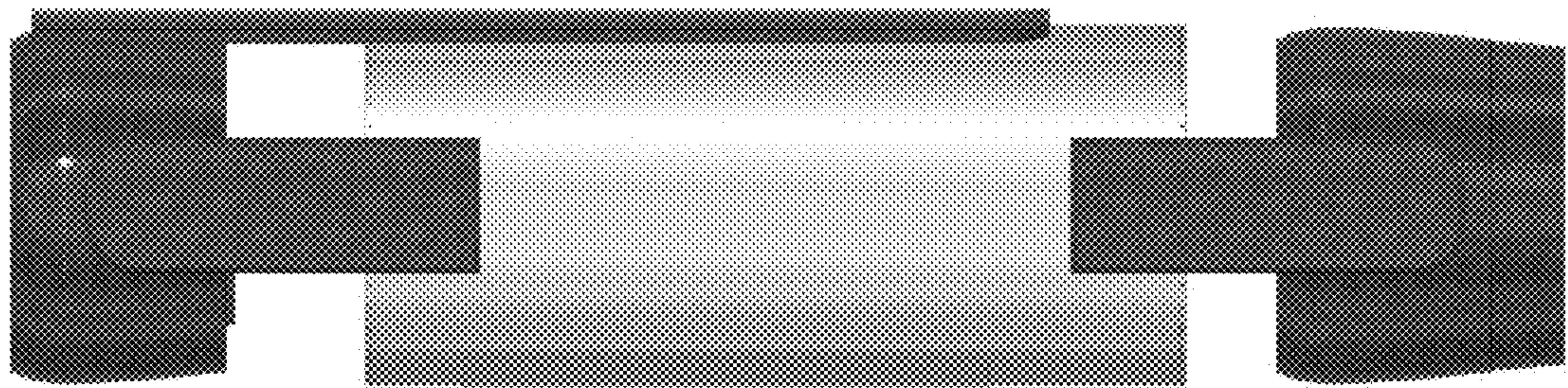
2.2



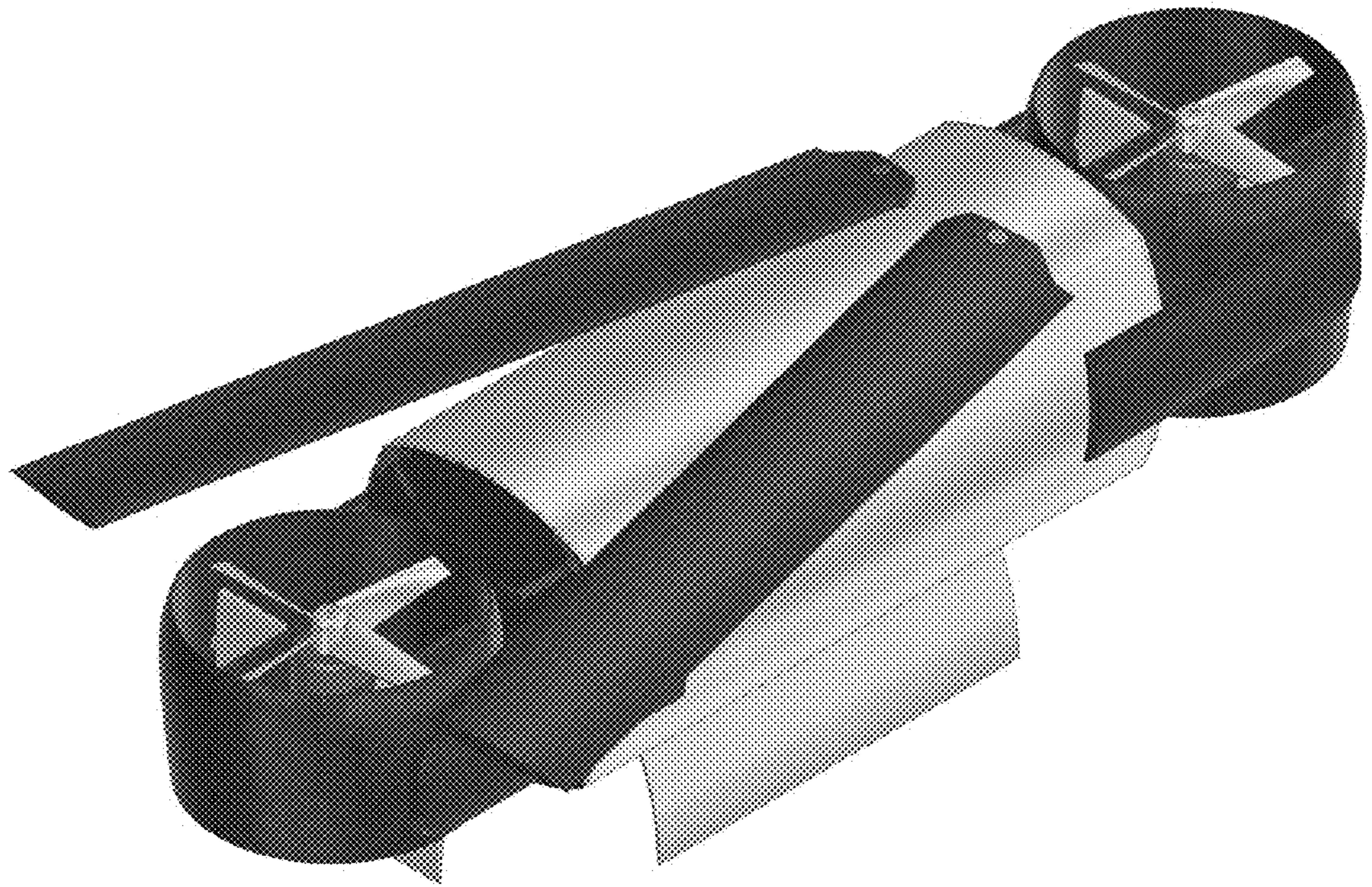
2.3



2.4



2.5



2.6

