



US00D969669S

(12) **United States Design Patent**  
**Hamami**

(10) **Patent No.:** **US D969,669 S**

(45) **Date of Patent:** **\*\* Nov. 15, 2022**

(54) **FLAG DISPLAY DEVICE**

(71) Applicant: **T. S. Hamami**, Naples, FL (US)

(72) Inventor: **T. S. Hamami**, Naples, FL (US)

(\*\*) Term: **15 Years**

(21) Appl. No.: **29/747,049**

(22) Filed: **Aug. 19, 2020**

(51) **LOC (13) Cl.** ..... **11-05**

(52) **U.S. Cl.**  
USPC ..... **D11/166**

(58) **Field of Classification Search**  
USPC ..... D5/41; D11/133, 165-184; D14/489;  
D20/16, 17, 21, 28, 41-43  
CPC ..... G09F 13/0431; G09F 15/0018; G09F  
15/0037; G09F 17/00; G09F 21/02; G09F  
21/04; G09F 2017/005; G09F 2017/0008;  
G09F 2017/0033; G09F 2017/0041; G09F  
2017/0066; G09F 2017/0075

See application file for complete search history.

(56) **References Cited**

**U.S. PATENT DOCUMENTS**

- 1,280,078 A \* 9/1918 Drum ..... G09F 17/00  
116/173
- 2,921,307 A 1/1960 Risk
- 3,096,906 A 7/1963 Chidsey, Jr. et al.
- 3,603,017 A \* 9/1971 Happe ..... A01K 97/01  
43/17
- 3,610,152 A \* 10/1971 Kaneko ..... A63H 37/00  
102/355
- 3,828,455 A \* 8/1974 Bentley ..... G09F 7/00  
52/84
- 4,057,030 A 11/1977 Womack
- 4,084,338 A \* 4/1978 Ross ..... G09F 21/04  
40/607.02
- D328,143 S \* 7/1992 Elmer ..... G09F 13/18  
D26/31
- D330,919 S \* 11/1992 Von Canal ..... D6/661.3

- D389,524 S \* 1/1998 Grange ..... D20/41
- D407,988 S \* 4/1999 Freeberg ..... D10/109.1
- D453,194 S \* 1/2002 Gentelia ..... D20/41
- 6,609,476 B1 8/2003 Lorenzana
- D530,756 S \* 10/2006 Greenwald ..... D11/166
- 7,114,387 B2 10/2006 Omotani
- D585,666 S \* 2/2009 Hamasaki ..... D6/682
- D755,302 S \* 5/2016 Jansen ..... A63H 37/00  
D20/41

(Continued)

**OTHER PUBLICATIONS**

Fast-Flag, published on Mar. 26, 2020 on riverdavesplace.com, retrieved from the internet Jul. 12, 2022. <URL: https://www.riverdavesplace.com/forums/articles/intrepid-powerboats-fast-flag-where-luxury-and-liberty-unite.694/> (Year: 2020).\*

(Continued)

*Primary Examiner* — Joseph Kukella  
*Assistant Examiner* — Heather Ann Laaveg Wencil  
(74) *Attorney, Agent, or Firm* — Loeffler IP Group, P.A.;  
Bryan L. Loeffler, Esq.

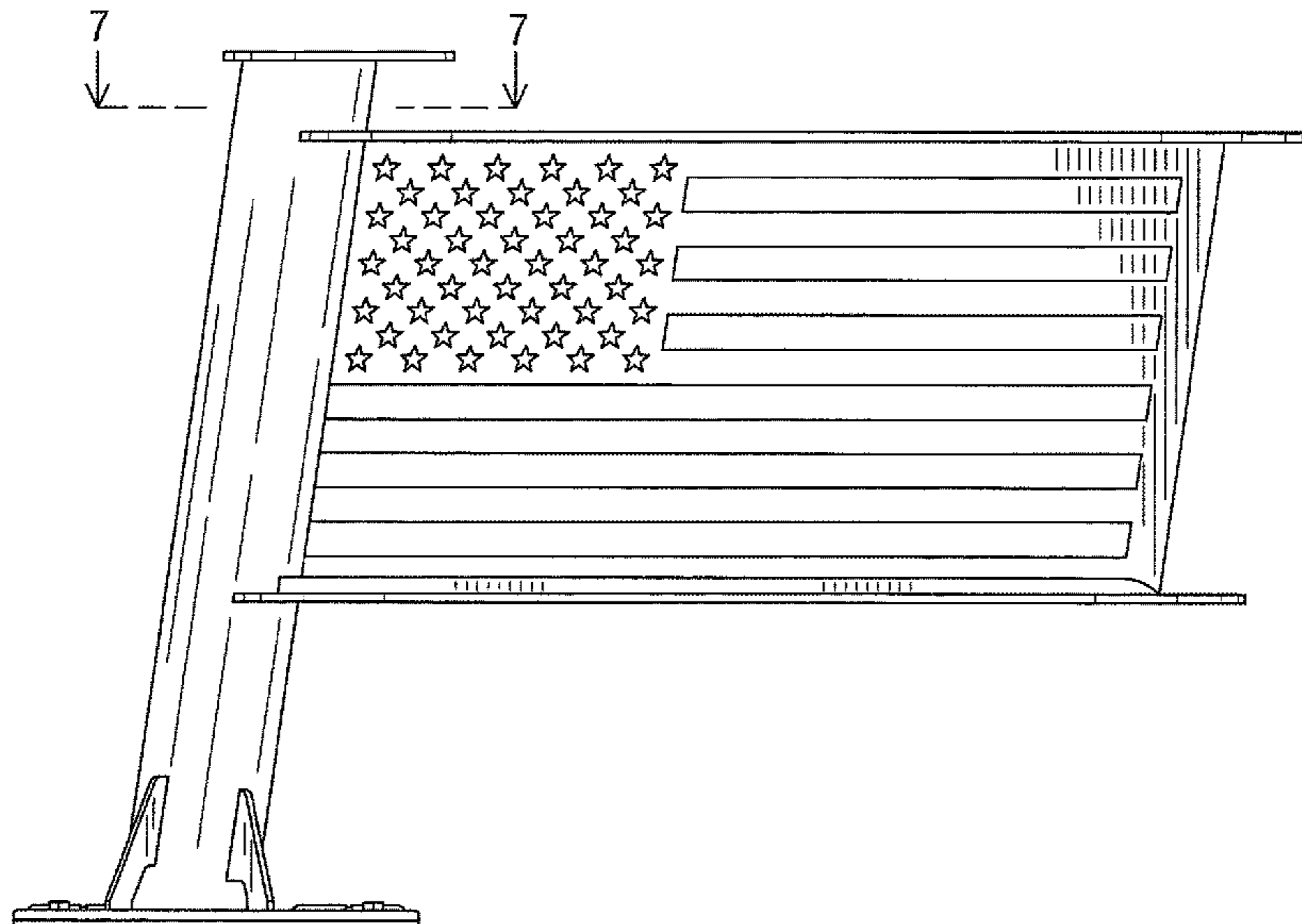
(57) **CLAIM**

The ornamental design for a flag display device, as shown and described.

**DESCRIPTION**

FIG. 1 is a right side view of a flag display device showing my new design;  
FIG. 2 is a left side view of the flag display device thereof;  
FIG. 3 is a front view of the flag display device thereof;  
FIG. 4 is a rear view of the flag display device thereof;  
FIG. 5 is a top view of the flag display device thereof;  
FIG. 6 is a bottom view of the flag display device thereof;  
and,  
FIG. 7 is a cross sectional view along line 7-7 of the flag display device thereof.

**1 Claim, 3 Drawing Sheets**



(56)

**References Cited**

U.S. PATENT DOCUMENTS

10,344,924 B1 7/2019 Ganahl  
D857,429 S \* 8/2019 Kuehnast ..... D6/681.1  
10,697,621 B1 \* 6/2020 Zolte ..... G09F 17/00  
10,783,812 B1 \* 9/2020 Hamami ..... G09F 13/18  
10,783,813 B1 \* 9/2020 Hamami ..... B63B 45/04  
2004/0221495 A1 11/2004 Hogestad  
2009/0151212 A1 6/2009 Cadavis  
2012/0204455 A1 8/2012 Mothaffar  
2012/0260842 A1 10/2012 King  
2014/0340234 A1 \* 11/2014 Wojnarski ..... G09F 25/00  
340/815.46  
2015/0269877 A1 \* 9/2015 Williams ..... G01P 13/02  
40/541

OTHER PUBLICATIONS

Fast Flag Instagram, published on Sep. 5, 2020 on [instagram.com](https://www.instagram.com/p/B2DCqAOnwEt/),  
retrieved from the internet on Jul. 12, 2022. <URL:<https://www.instagram.com/p/B2DCqAOnwEt/>> (Year: 2020).\*

Metal Flag, reviewed on Jan. 21, 2019 on [amazon.com](https://www.amazon.com/steel-decoration-hanging-various-finishes/dp/B075YFP9DS/ref=sr_1_8), retrieved  
from the internet on Jul. 12, 2022. <URL:[https://www.amazon.com/steel-decoration-hanging-various-finishes/dp/B075YFP9DS/ref=sr\\_1\\_8](https://www.amazon.com/steel-decoration-hanging-various-finishes/dp/B075YFP9DS/ref=sr_1_8)> (Year: 2019).\*

\* cited by examiner

FIG. 3

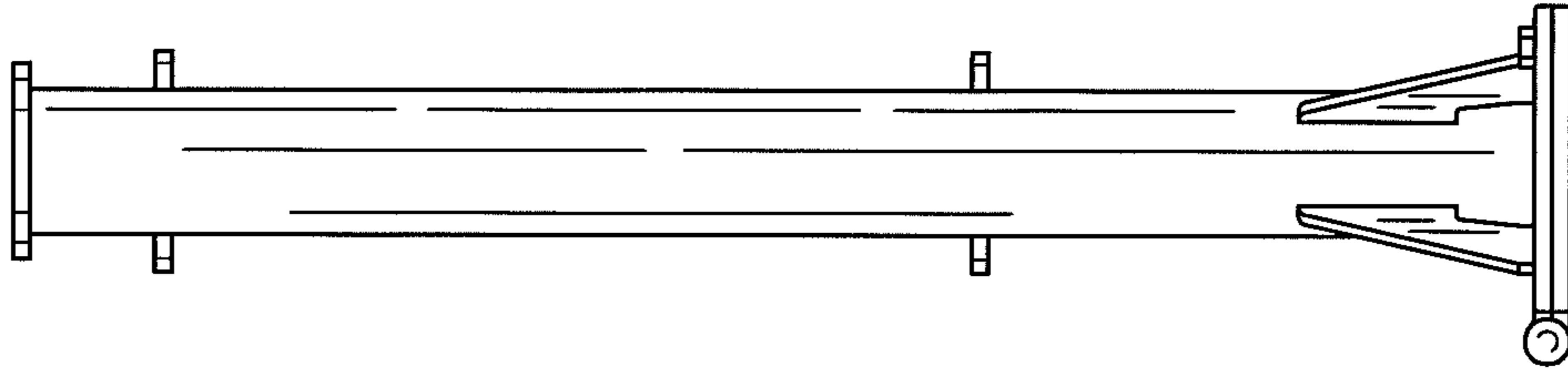


FIG. 1

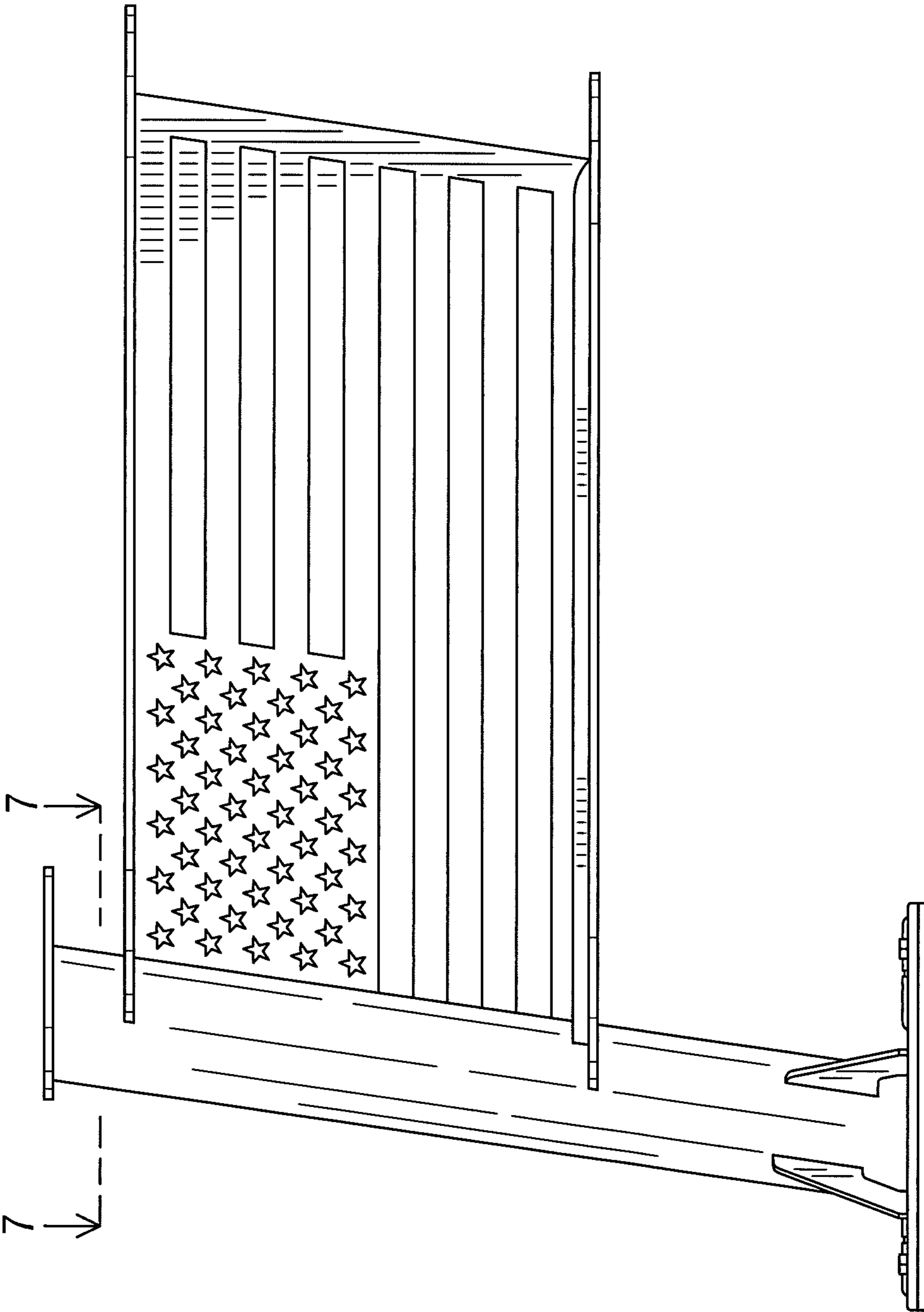


FIG. 4

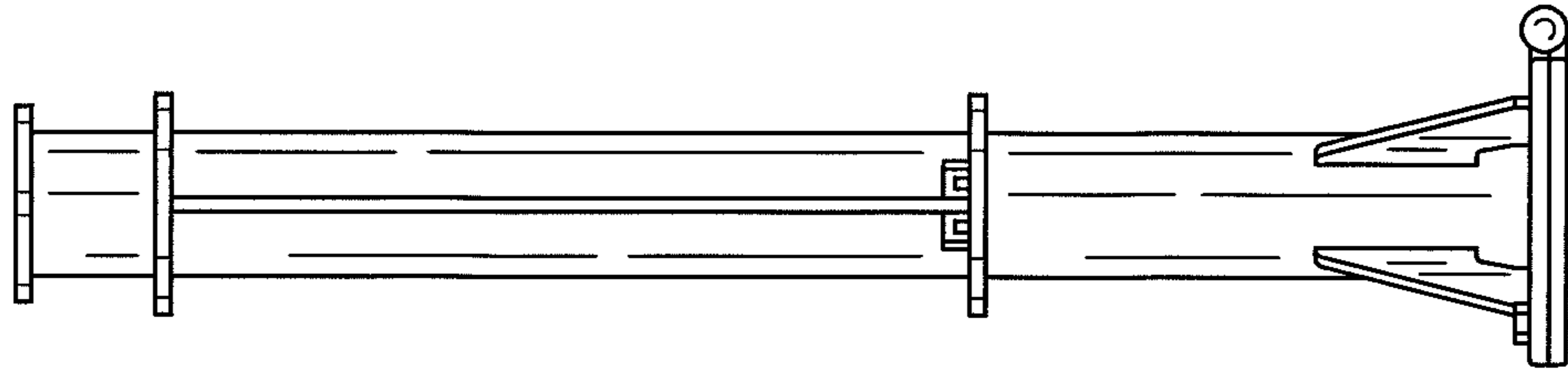
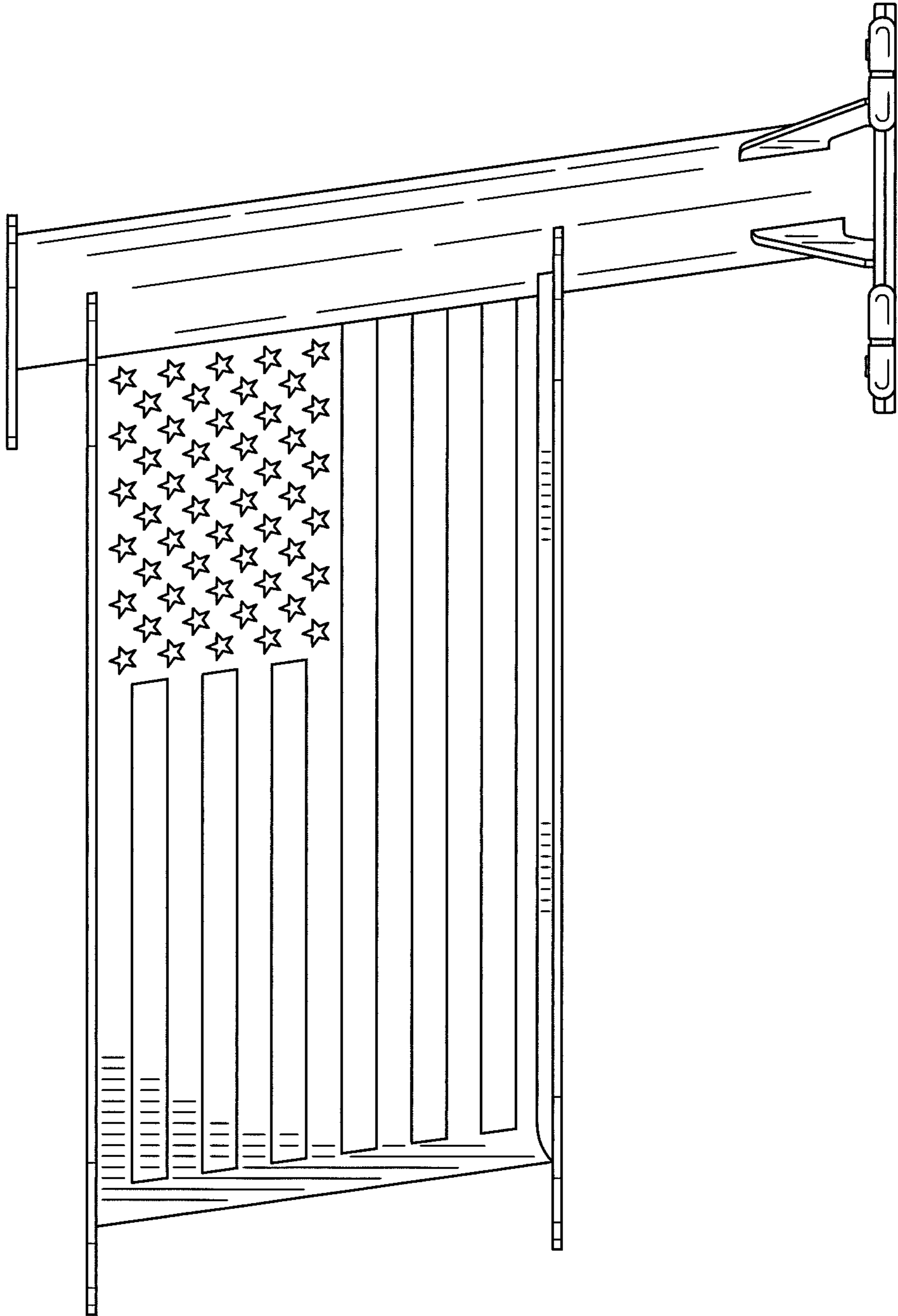


FIG. 2



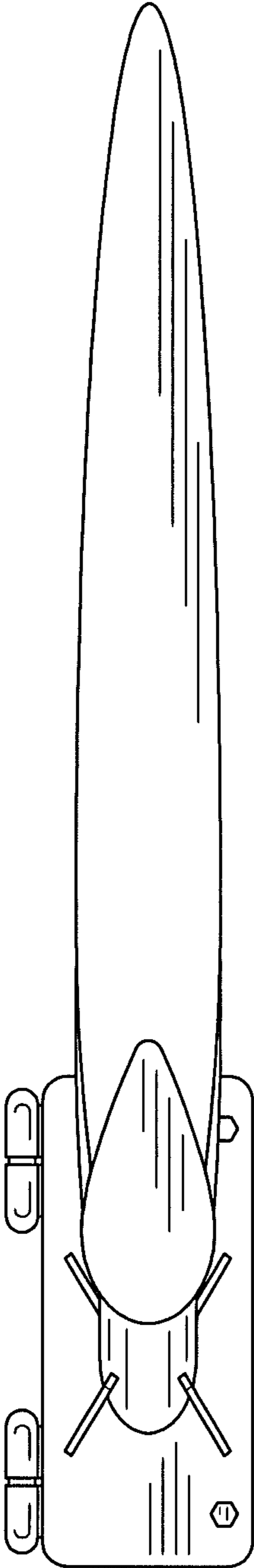


FIG. 5

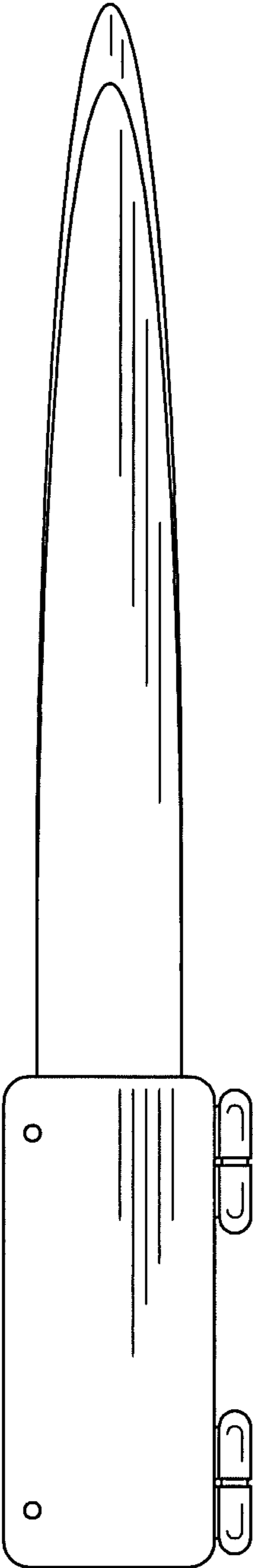


FIG. 6

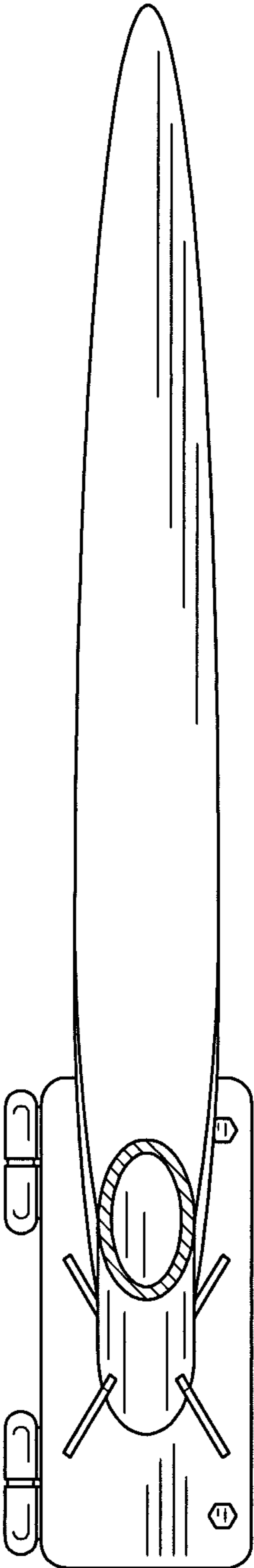


FIG. 7