



US00D969665S

(12) **United States Design Patent** (10) **Patent No.:** **US D969,665 S**
Boyd (45) **Date of Patent:** **** Nov. 15, 2022**

(54) **JEWELRY CHARM STOPPER**

(71) Applicant: **Charmed by LJB Inc.**, New York, NY (US)

(72) Inventor: **Lindsey Julia Boyd**, Miami Shores, FL (US)

(73) Assignee: **CHARMED BY LJB INC.**, New York, NY (US)

(**) Term: **15 Years**

(21) Appl. No.: **29/767,972**

(22) Filed: **Jan. 26, 2021**

(51) **LOC (13) Cl.** **11-01**

(52) **U.S. Cl.**
USPC **D11/86**

(58) **Field of Classification Search**
USPC D11/40, 86, 87, 200, 1, 3, 93, 7, 12, 13,
D11/17, 79; D8/382, 354, 396; D2/943,
D2/978

(Continued)

(56) **References Cited**

U.S. PATENT DOCUMENTS

D171,834 S * 3/1954 Watson D04D 1/04
D11/87
D283,205 S * 4/1986 Stephenson A44C 5/2019
D11/88

(Continued)

FOREIGN PATENT DOCUMENTS

CN 304027861 * 6/2016
CN 304027863 * 2/2017

OTHER PUBLICATIONS

JewelrieShop Clip Spacer Charm. Online [website]. Amazon, Nov. 20, 2013 [retrieved on Aug. 22, 2022]. Retrieved from the internet:

<https://www.amazon.com/JewelrieShop-European-Stopper-Bracelet-Openable/dp/B00HJKF8BU/ref=sr_1_194_sspa>. (Year: 2013).*

(Continued)

Primary Examiner — Tracey J Bell

Assistant Examiner — Grace Doyle

(74) *Attorney, Agent, or Firm* — Notaro, Michalos & Zaccaria P.C.

(57) **CLAIM**

The ornamental design for a jewelry charm stopper, as shown and described.

DESCRIPTION

FIG. 1 is a top, front, stopper-closed, perspective view of a jewelry charm stopper showing my design therefor;

FIG. 2 is a front, stopper-closed, side elevational view thereof;

FIG. 3 is a rear, stopper-closed, side elevational view thereof;

FIG. 4 is a right, stopper-closed, side elevational view thereof;

FIG. 5 is a left, stopper-closed, side elevational view thereof;

FIG. 6 is a top, stopper-closed, plan view thereof;

FIG. 7 is a bottom, stopper-closed, plan view thereof;

FIG. 8 is a top, front, stopper-opened, perspective thereof;

FIG. 9 is a front, stopper-opened, side elevational view thereof;

FIG. 10 is a rear, stopper-opened, side elevational view thereof;

FIG. 11 is a right, stopper-opened, side elevational view thereof;

FIG. 12 is a left, stopper-opened, side elevational view thereof;

FIG. 13 is a top, stopper-opened, plan view thereof;

FIG. 14 is a bottom, stopper-opened, plan view thereof;

FIG. 15 is a top, front, stopper-closed, perspective view of a second embodiment of a jewelry charm stopper showing my design therefor;

FIG. 16 is a front, stopper-closed, side elevational view thereof;

(Continued)

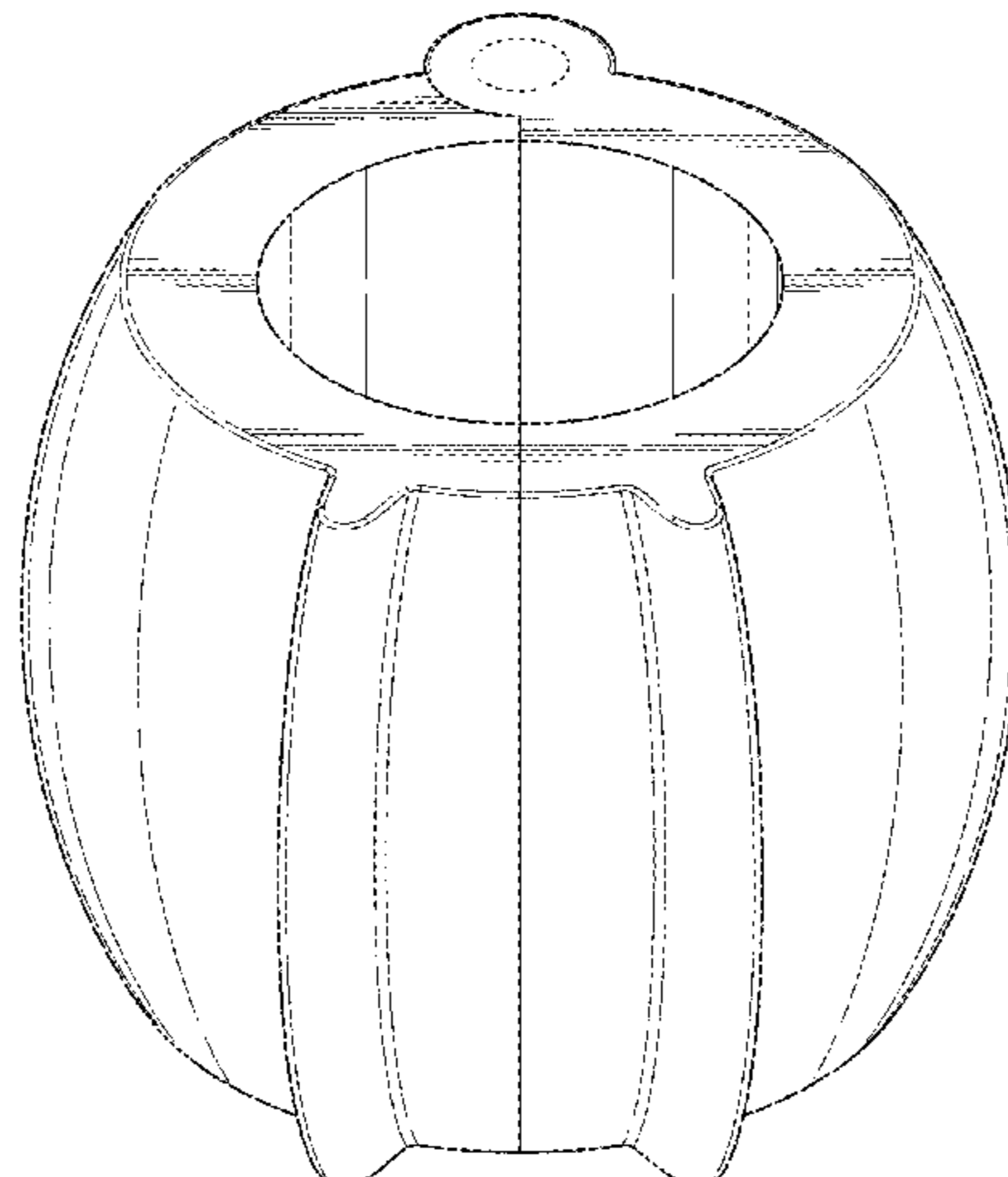


FIG. 17 is a rear, stopper-closed, side elevational view thereof;
 FIG. 18 is a right, stopper-closed, side elevational view thereof;
 FIG. 19 is a left, stopper-closed, side elevational view thereof;
 FIG. 20 is a top, stopper-closed, plan view thereof;
 FIG. 21 is a bottom, stopper-closed, plan view thereof;
 FIG. 22 is a top, front, stopper-opened, perspective thereof;
 FIG. 23 is a front, stopper-opened, side elevational view thereof;
 FIG. 24 is a rear, stopper-opened, side elevational view thereof;
 FIG. 25 is a right, stopper-opened, side elevational view thereof;
 FIG. 26 is a left, stopper-opened, side elevational view thereof;
 FIG. 27 is a top, stopper-opened, plan view thereof; and,
 FIG. 28 is a bottom, stopper-opened, plan view thereof.
 The broken lines depict portions of the jewelry charm stopper that form no part of the embodiment in which they are shown, and the broken lines form no part of the claimed design.

1 Claim, 28 Drawing Sheets

(58) **Field of Classification Search**

CPC A44C 1/00; A44C 5/02; A44C 5/18; A44C 5/0007; A44C 5/0038; A44C 5/0046; A44C 5/0084; A44C 5/0092; A44C 9/0016; A44C 25/00; A44C 25/001; A44C 25/007; A44C 3/008; A44C 5/20; A44C 5/105; A44C 5/2009; A44C 5/2014; A44C 5/2047; A44C 11/00; A44C 15/005; Y10T 24/44538; Y10T 24/45016

See application file for complete search history.

(56) **References Cited**

U.S. PATENT DOCUMENTS

5,214,940 A * 6/1993 Capifali A44C 15/005 63/3.1
 D361,258 S * 8/1995 Helman A44C 13/00 D8/354

D814,963 S * 4/2018 Azulay D11/86
 D850,321 S * 6/2019 Chinalai D11/87
 D859,136 S * 9/2019 Tenander D8/394
 D926,459 S * 8/2021 Furick A44C 15/005 D2/978
 11,350,710 B2 * 6/2022 Bennett A44C 11/002
 2006/0260300 A1 * 11/2006 Julkowski A44C 25/001 60/300
 2014/0165651 A1 * 6/2014 Chapin A44C 25/00 63/33
 2014/0182332 A1 * 7/2014 Gray A44C 5/2019 63/3.1
 2015/0359304 A1 * 12/2015 Thomas A44C 5/003 63/3
 2018/0125182 A1 * 5/2018 Barouch D04D 1/04
 2018/0213892 A1 * 8/2018 Gray A44C 13/00
 2021/0068506 A1 * 3/2021 Nguyen A44C 13/00

OTHER PUBLICATIONS

Flower Clip Lock Stopper. Online [website]. Amazon, Mar. 9, 2015 [retrieved on Aug. 22, 2022]. Retrieved from the internet: <https://www.amazon.com/CharmSStory-Celtic-Stopper-Spacers-Bracelets/dp/B00UHF6G3S/ref=sr_1_91>. (Year: 2015).*

Charm Clip Lock Stopper Bead. Online [website]. Amazon, Sep. 12, 2015 [retrieved on Aug. 22, 2022]. Retrieved from the internet: <https://www.amazon.com/Soulbeads-Clip-Authentic-Sterling-Bracelet/dp/B0159ZYYYI/ref=asc_df_B0159ZYYYI/>. (Year: 2015).*

Clip Charm. Online [website]. Amazon, Jun. 28, 2017 [retrieved on Aug. 22, 2022]. Retrieved from the internet: <https://www.amazon.com/Charm-Crystal-Sterling-Stopper-Bracelet/dp/B073FPP6VT/ref=sr_1_20_sspa?th=1>. (Year: 2017).*

Wills Notebook. Online [website]. Instagram, posted by user @willsnotebook on Dec. 15, 2020 [retrieved on Aug. 12, 2022]. Retrieved from the internet: <<https://www.instagram.com/p/CI0dPoQLHyf/>>. (Year: 2020).*

Signature Charm Stopper. Online [website]. Rondel Jewelry, publication date unknown [retrieved on Aug. 12, 2022]. Retrieved from the internet: <<https://rondeljewelry.com/products/signature-gold-coda-1/>>. (Year: 2022).*

* cited by examiner

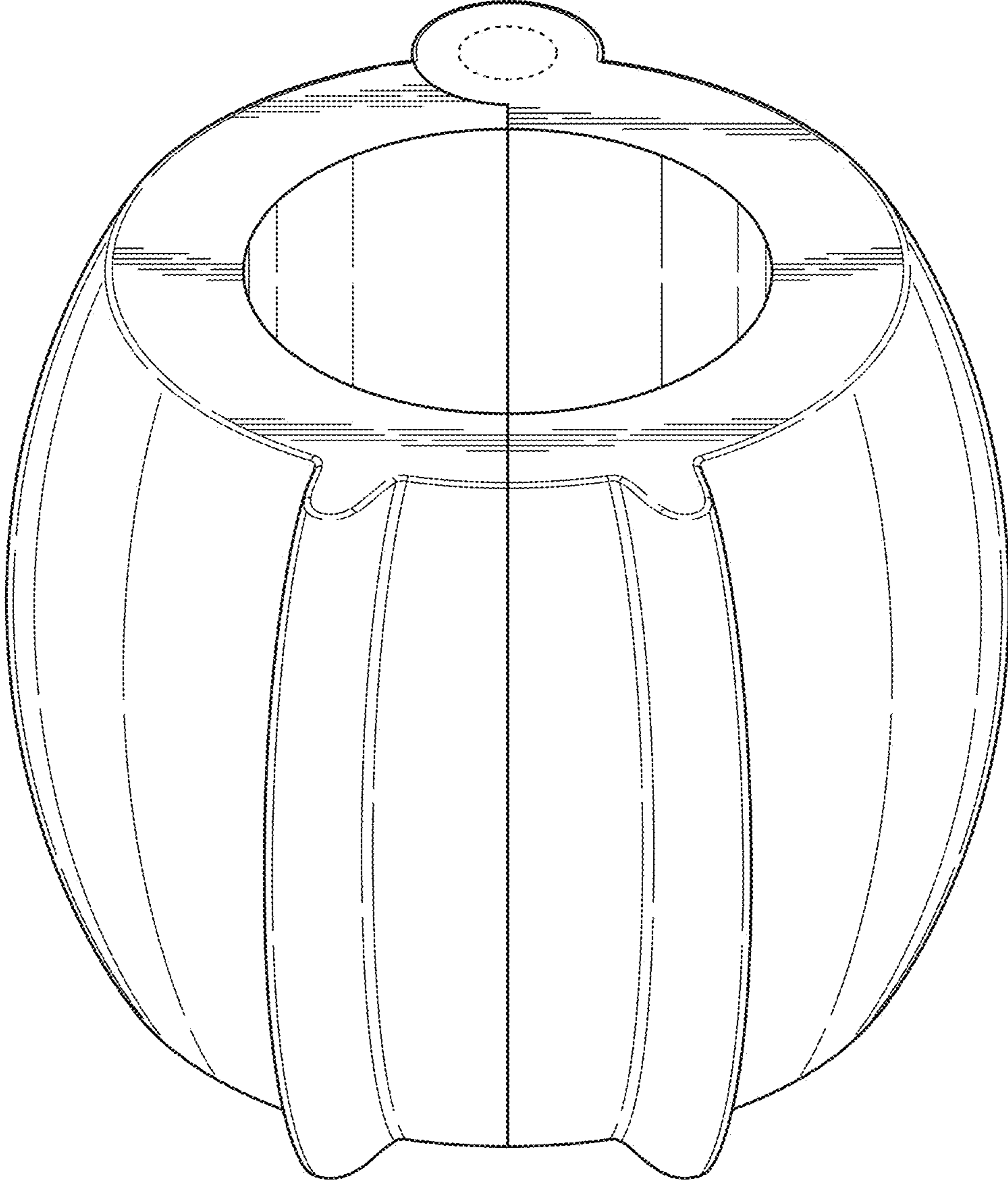


FIG. 1

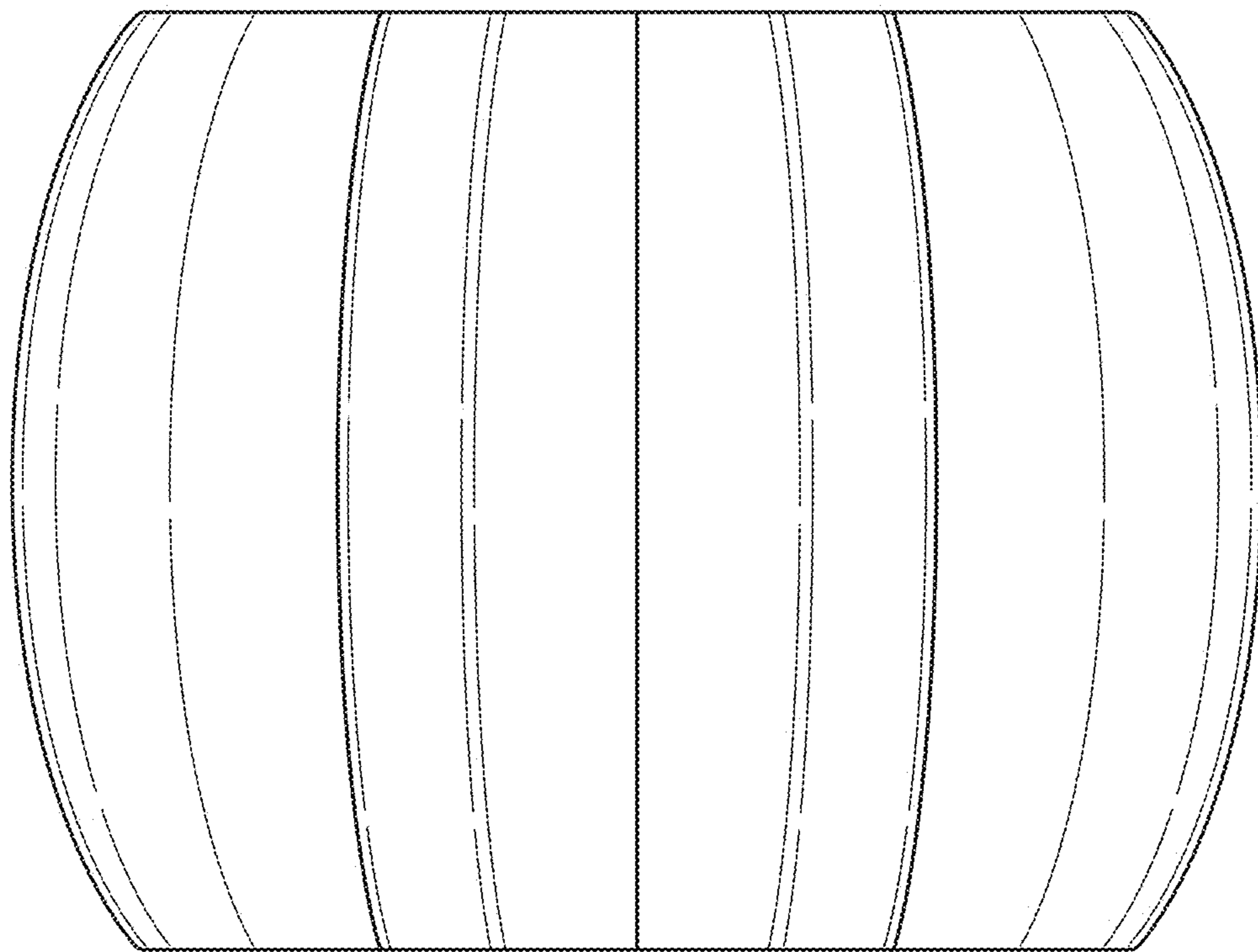


FIG. 2

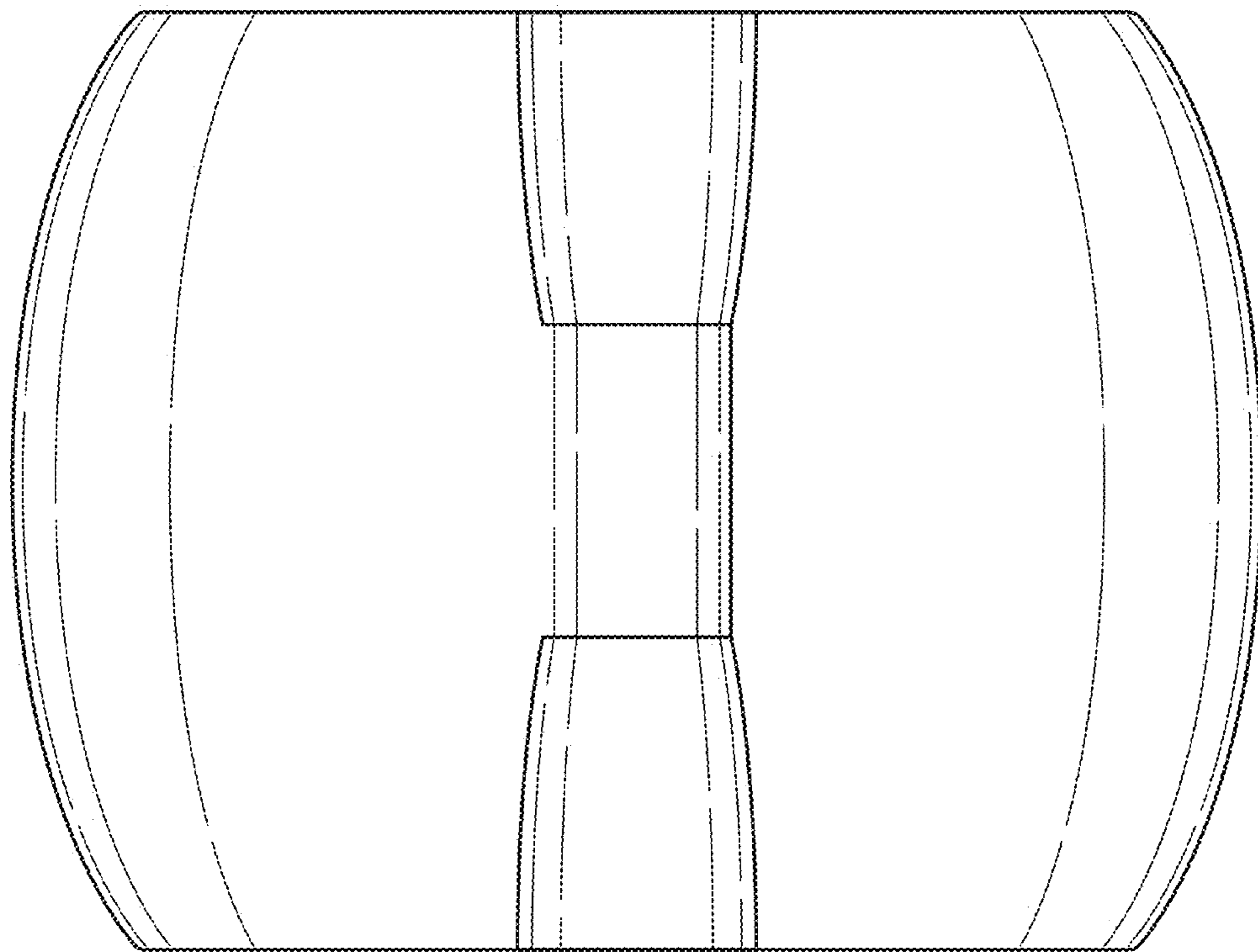


FIG. 3

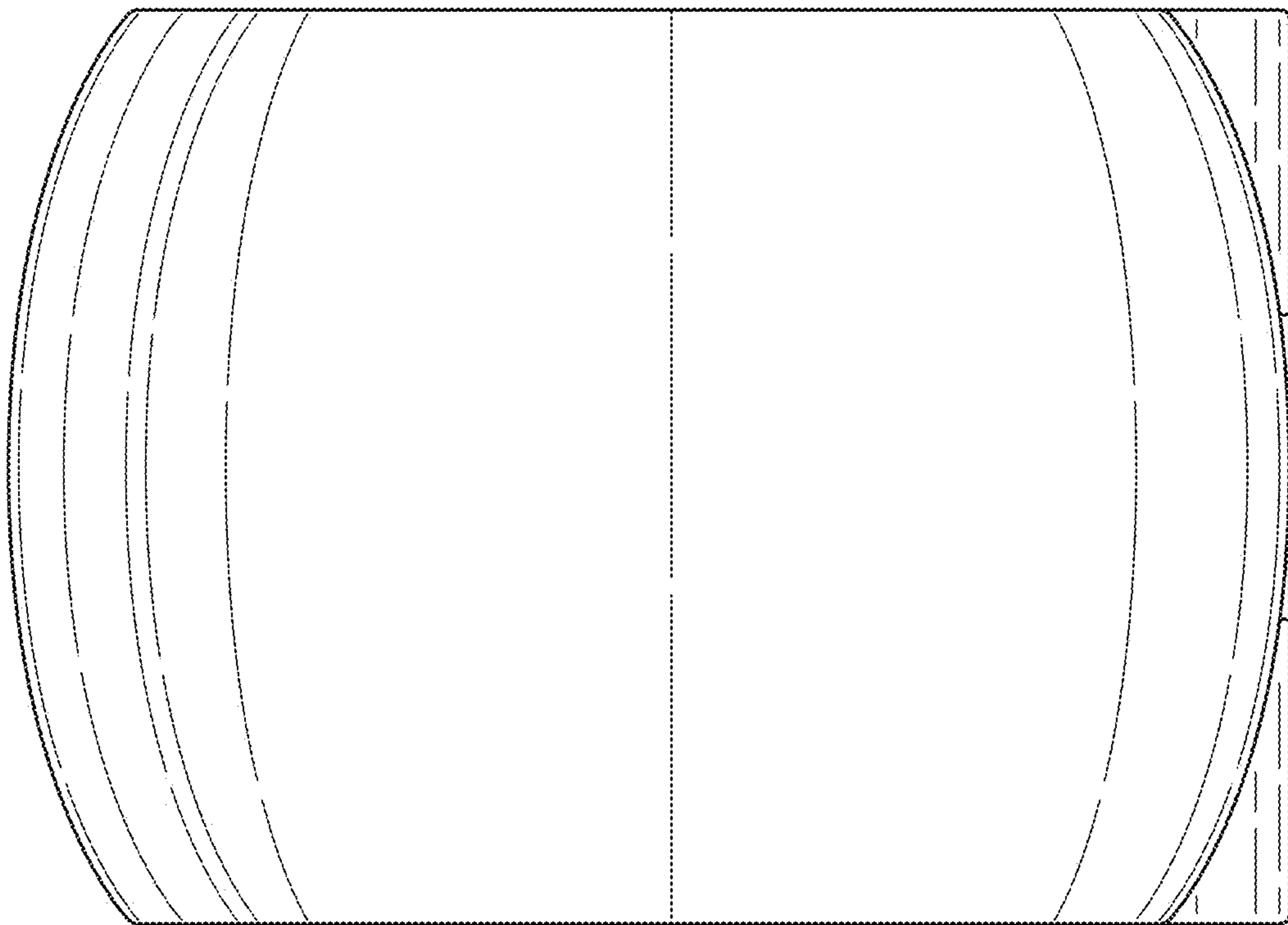


FIG. 4

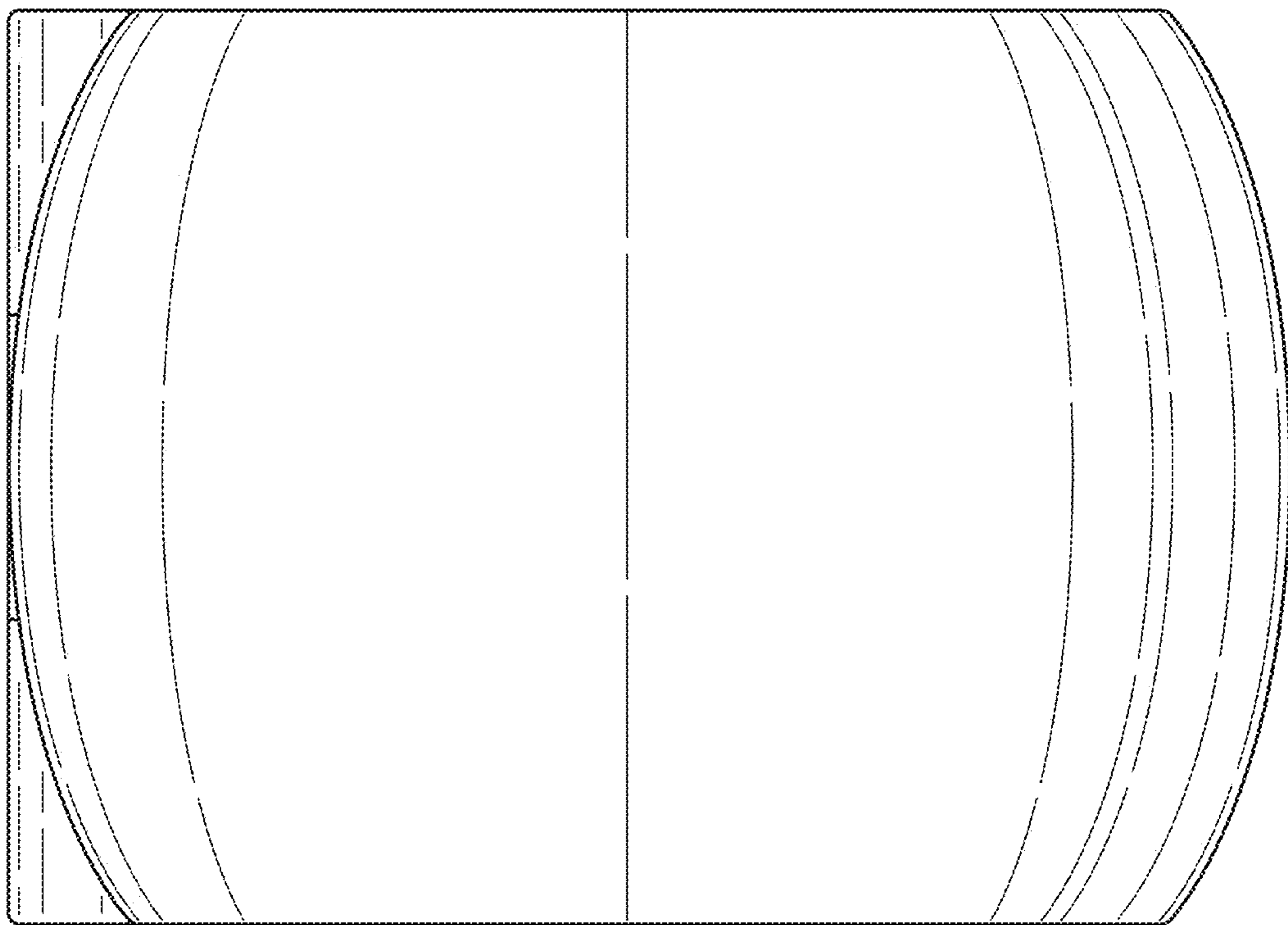


FIG. 5

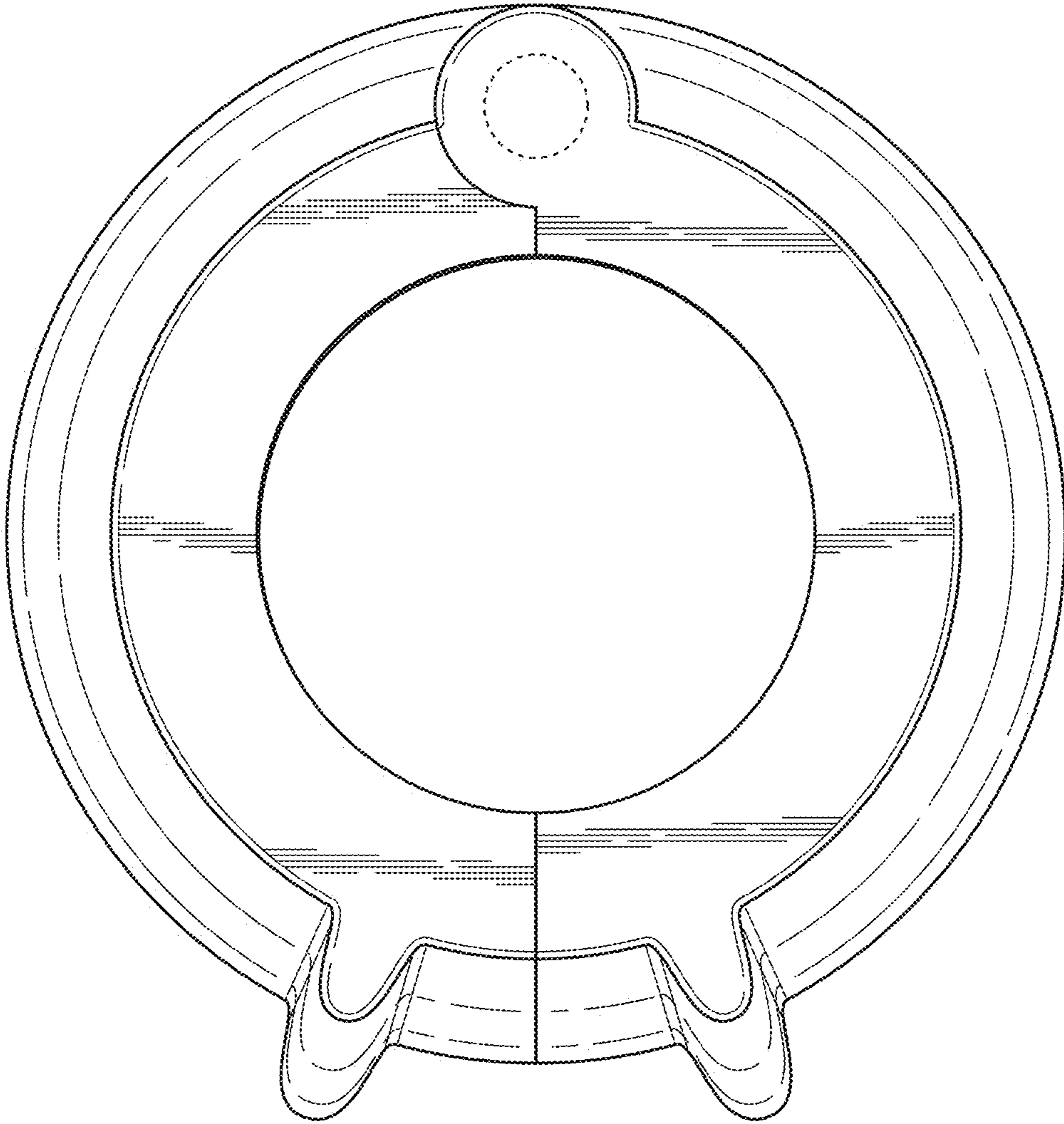


FIG. 6

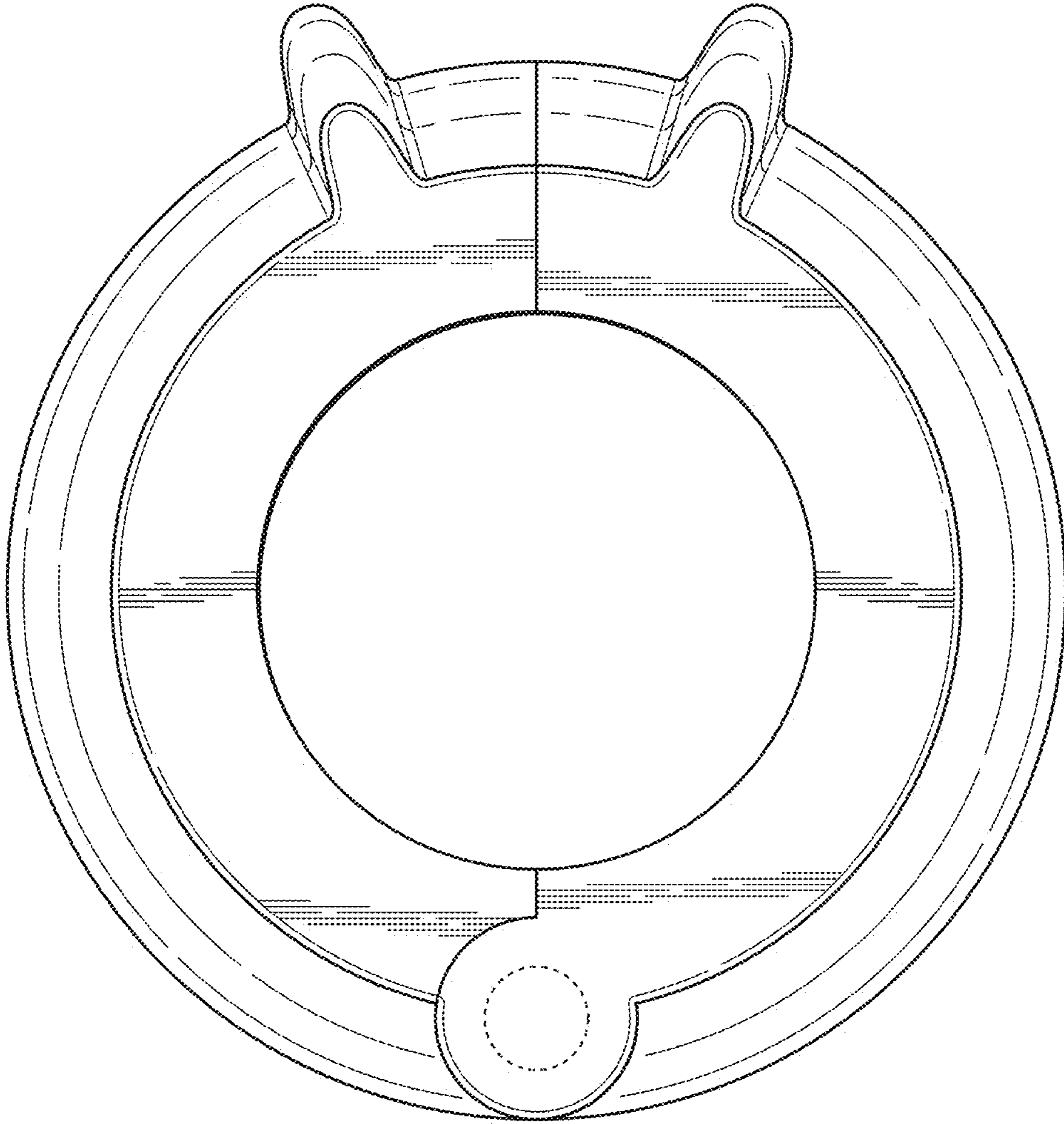


FIG. 7

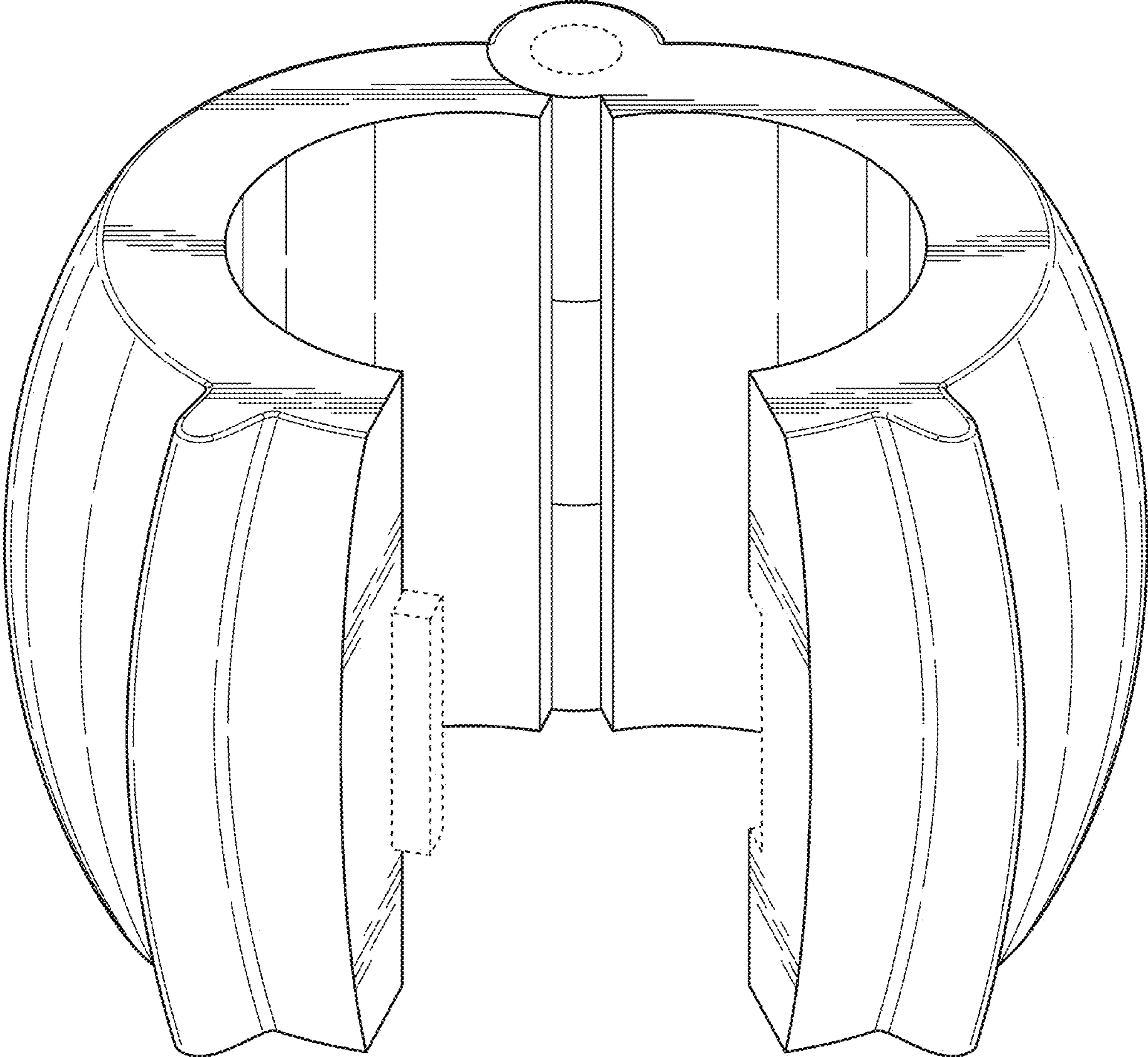


FIG. 8

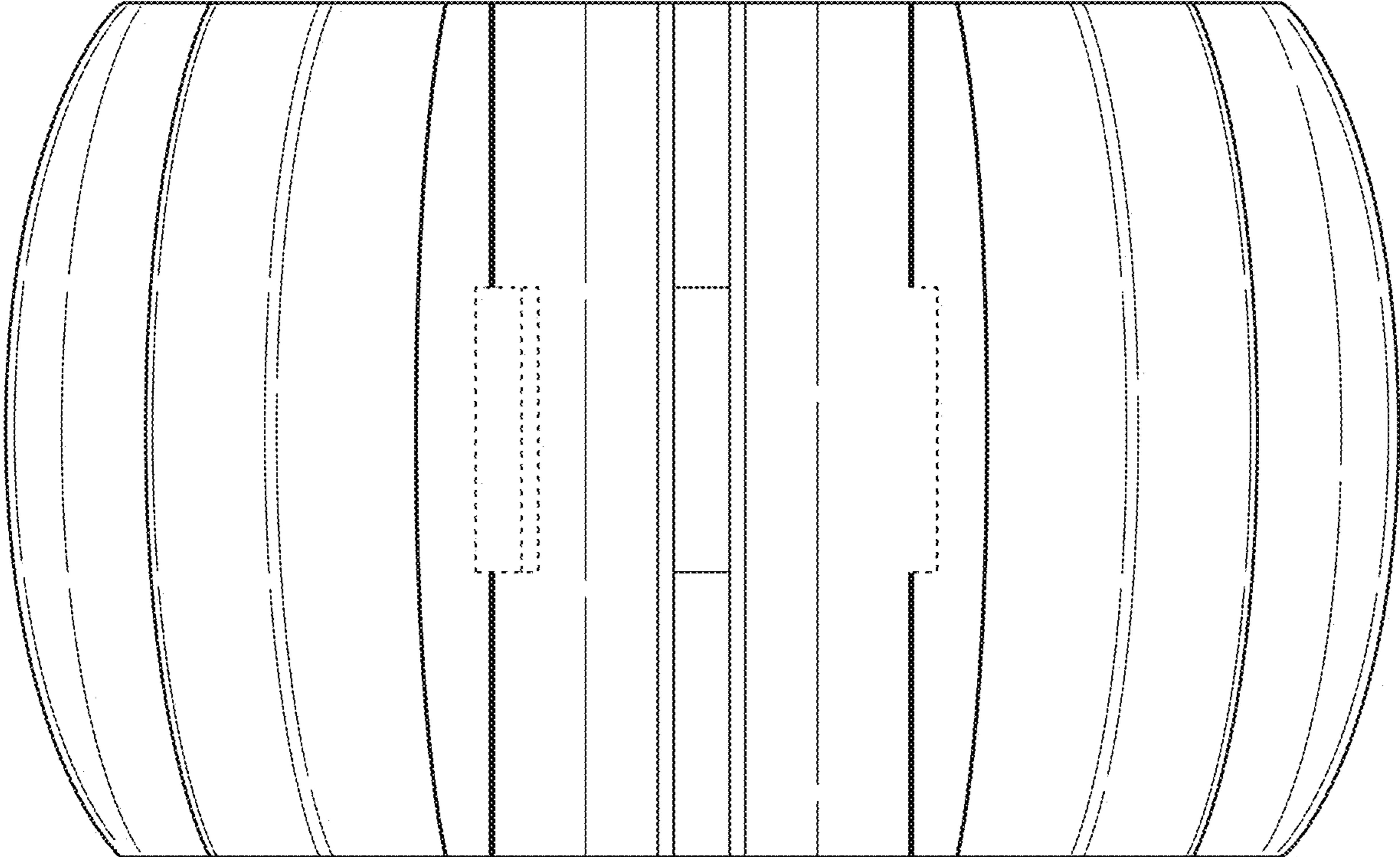


FIG. 9

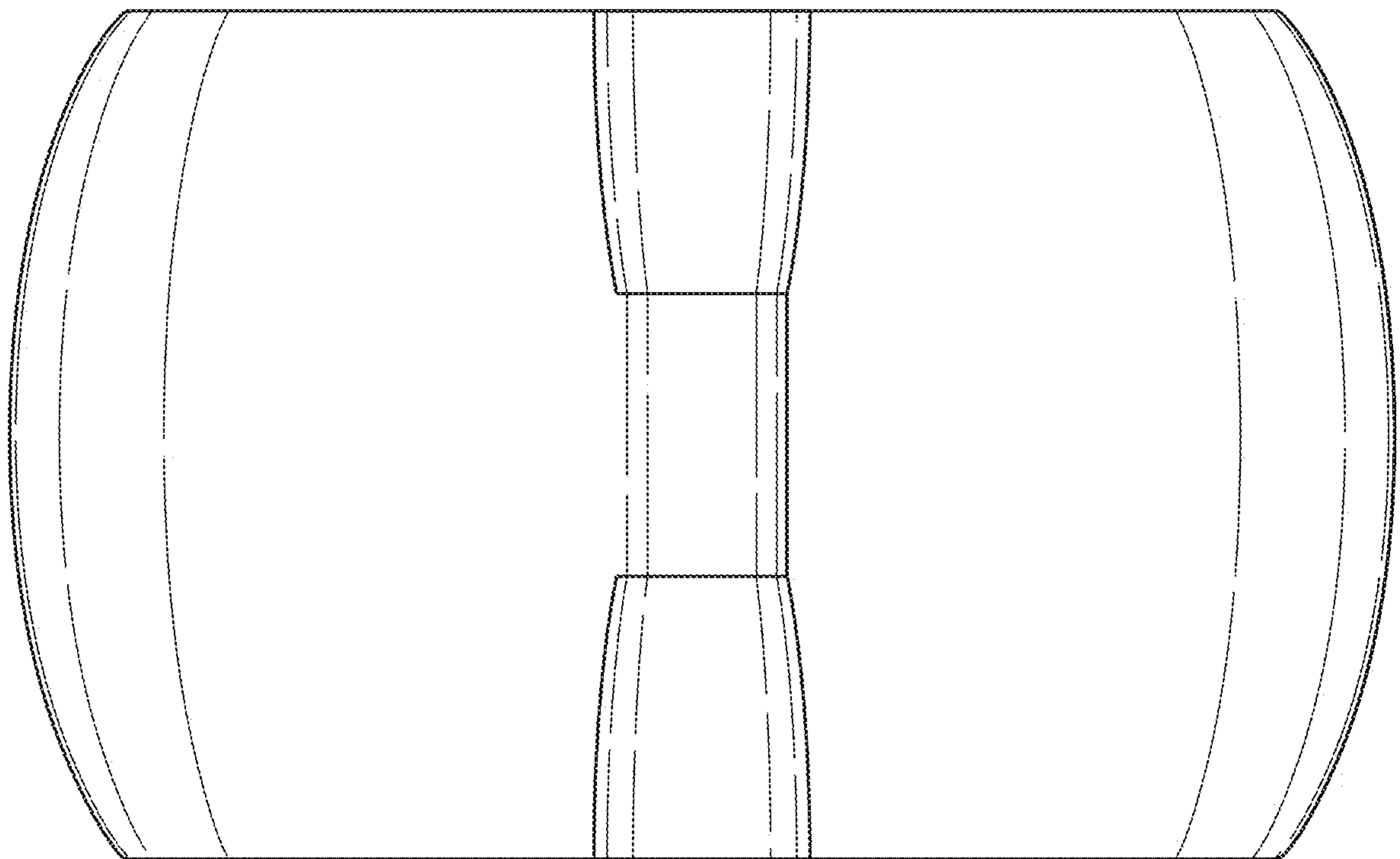


FIG. 10

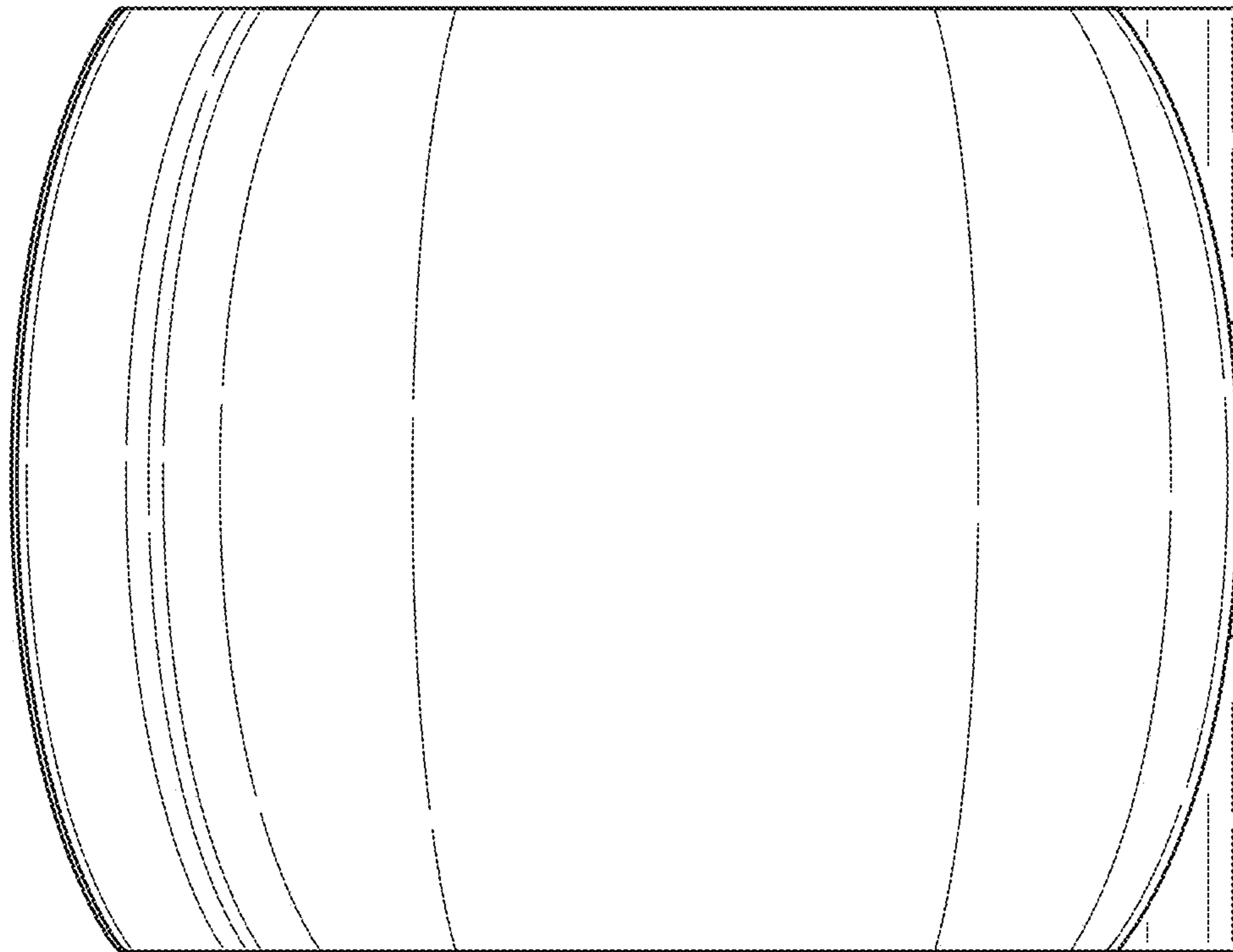


FIG. 11

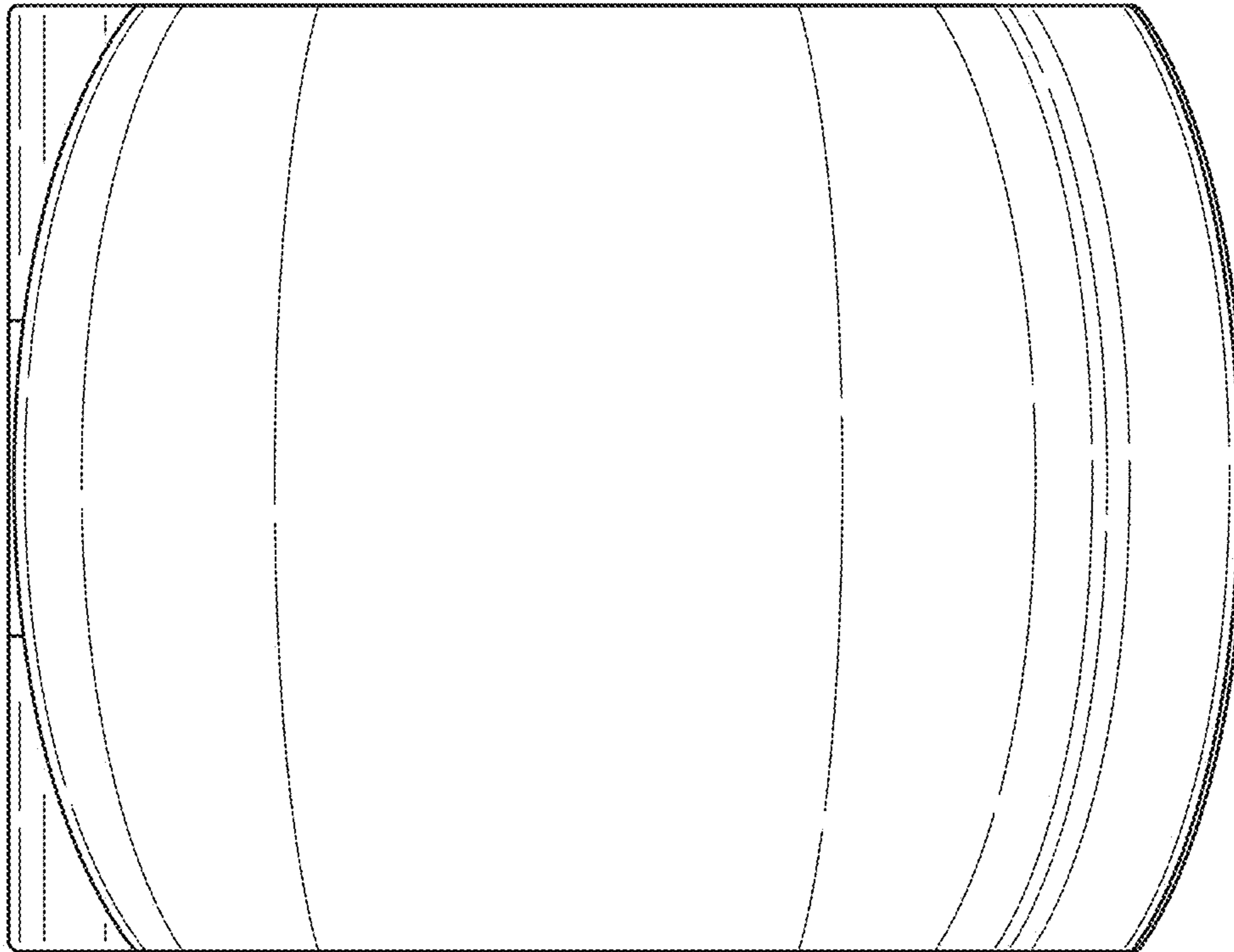


FIG. 12

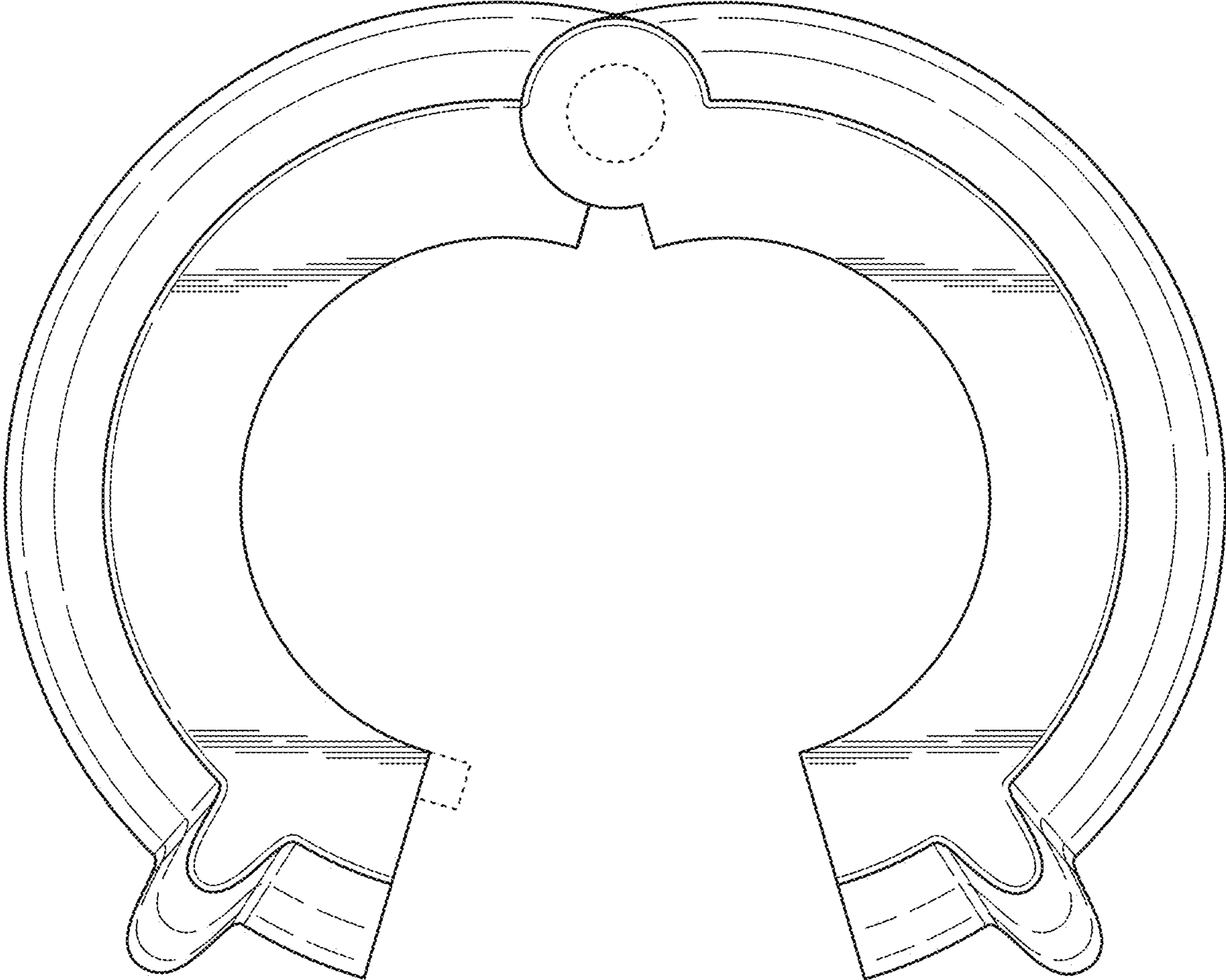


FIG. 13

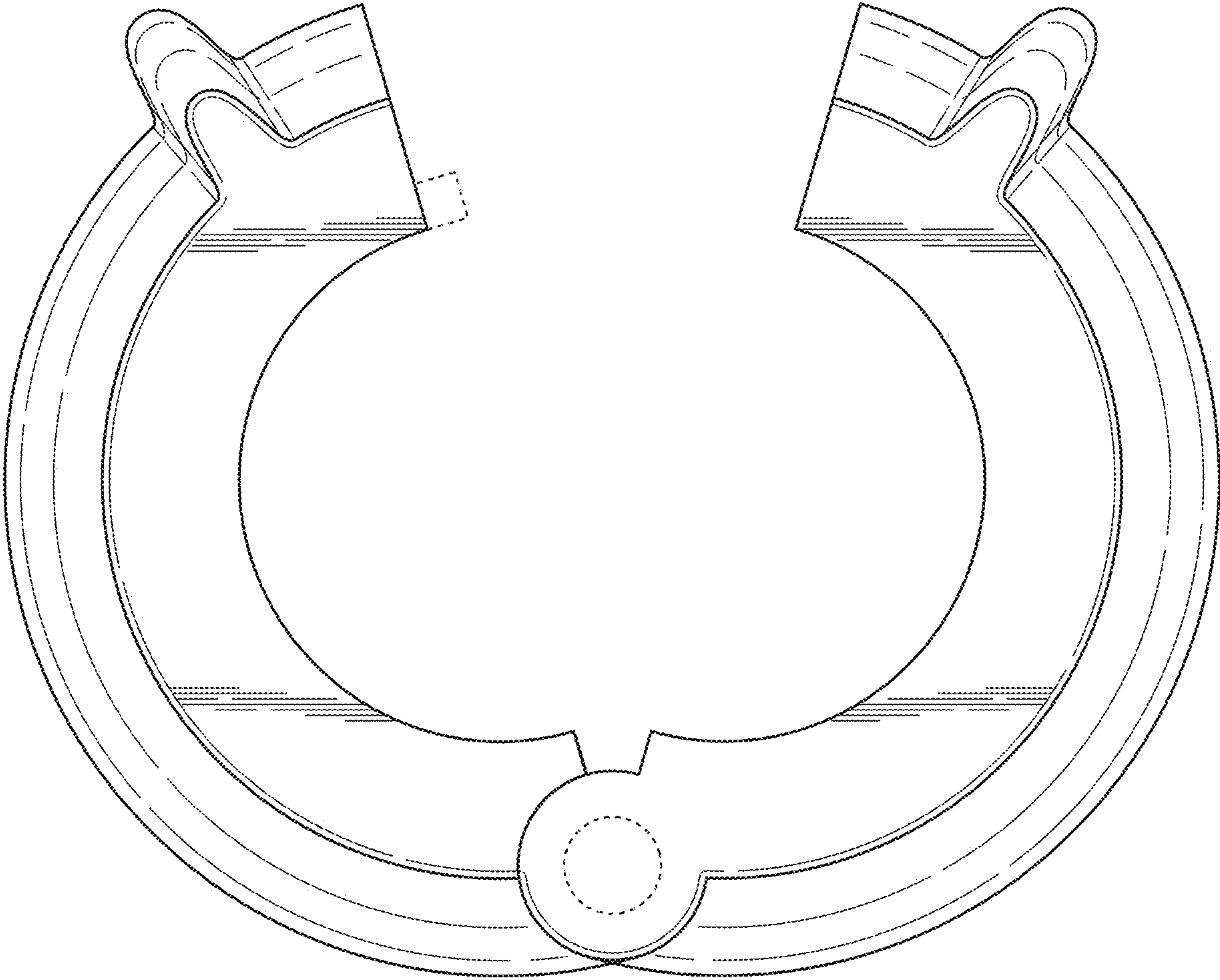


FIG. 14

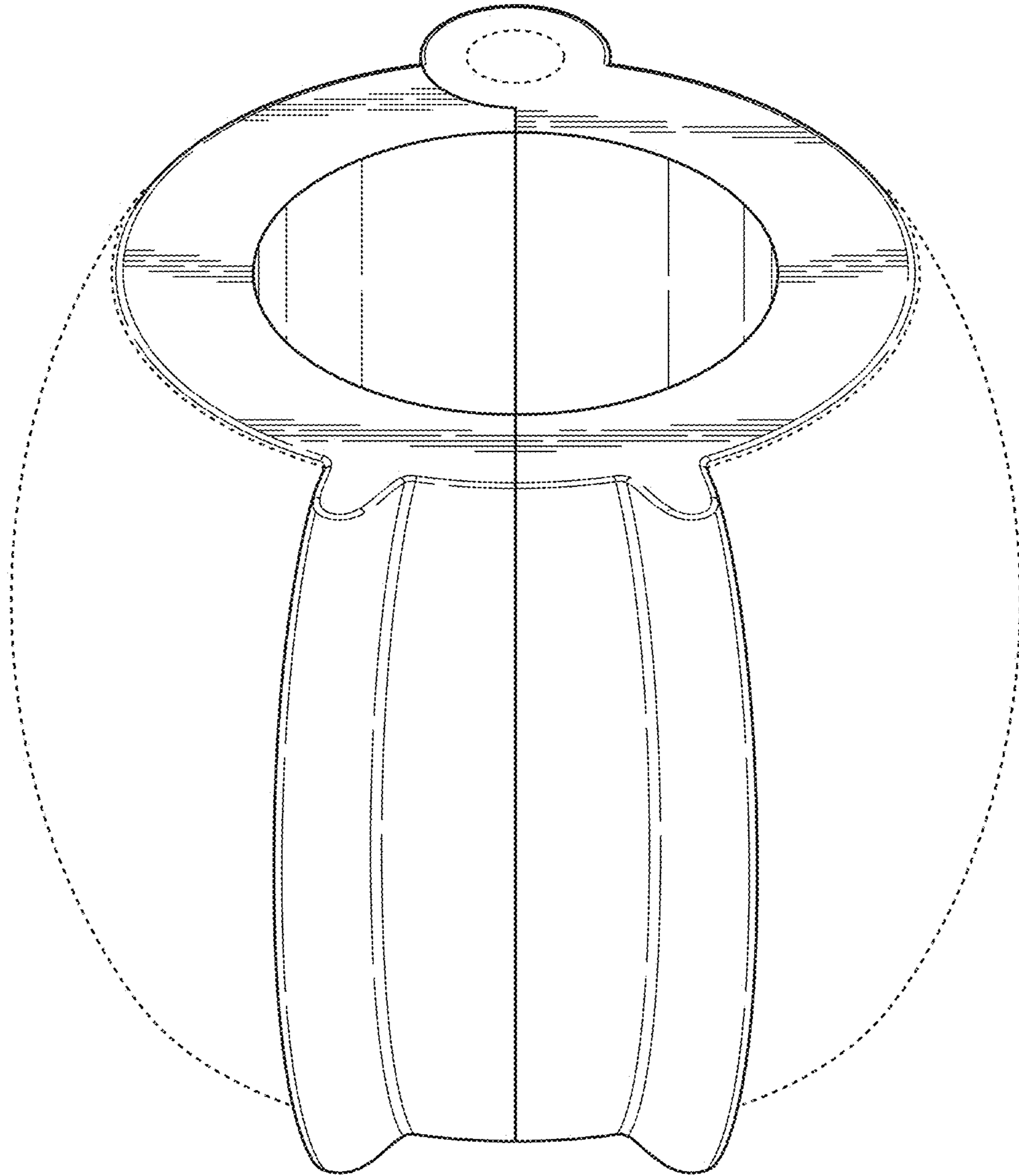


FIG. 15

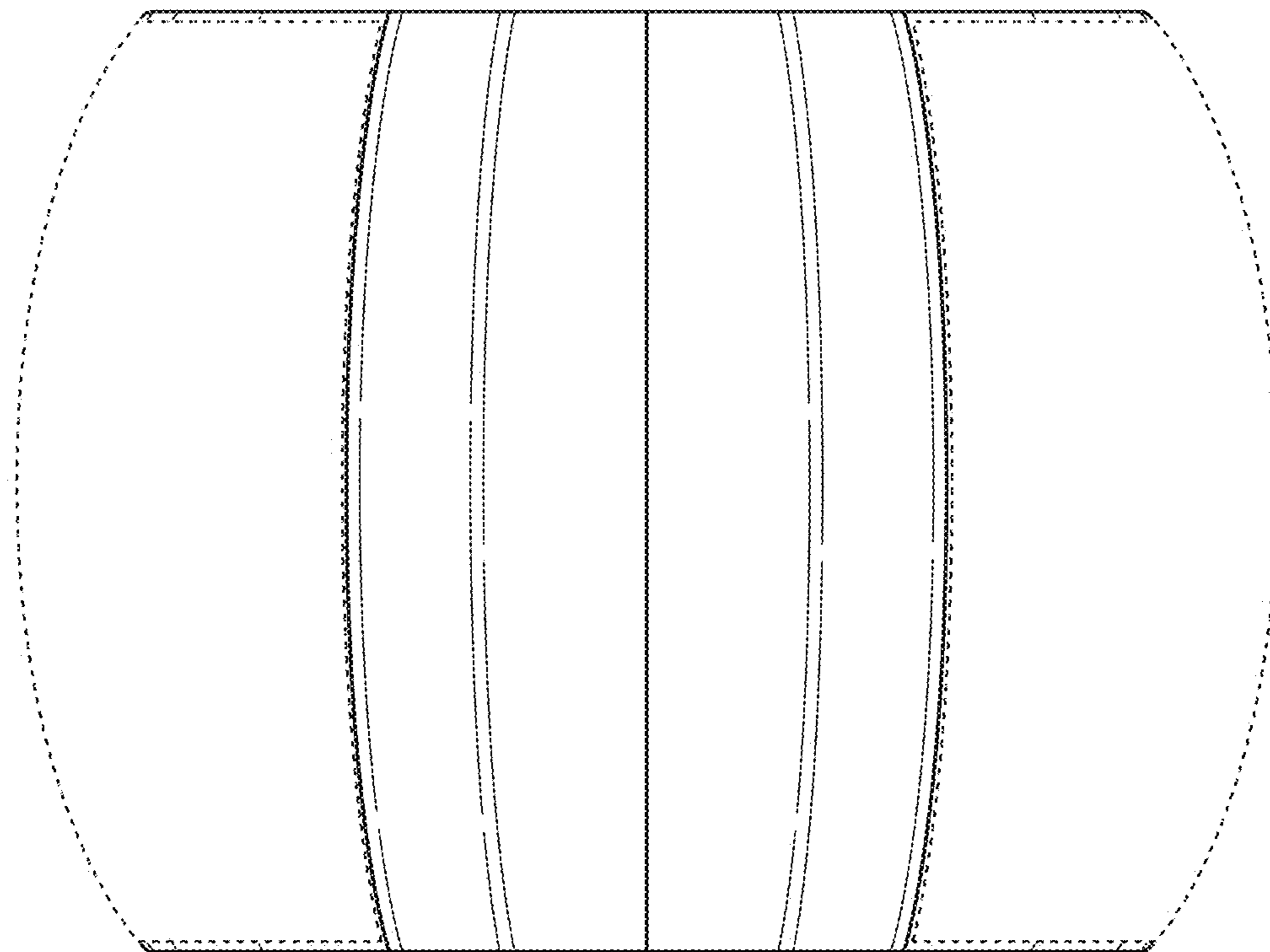


FIG. 16

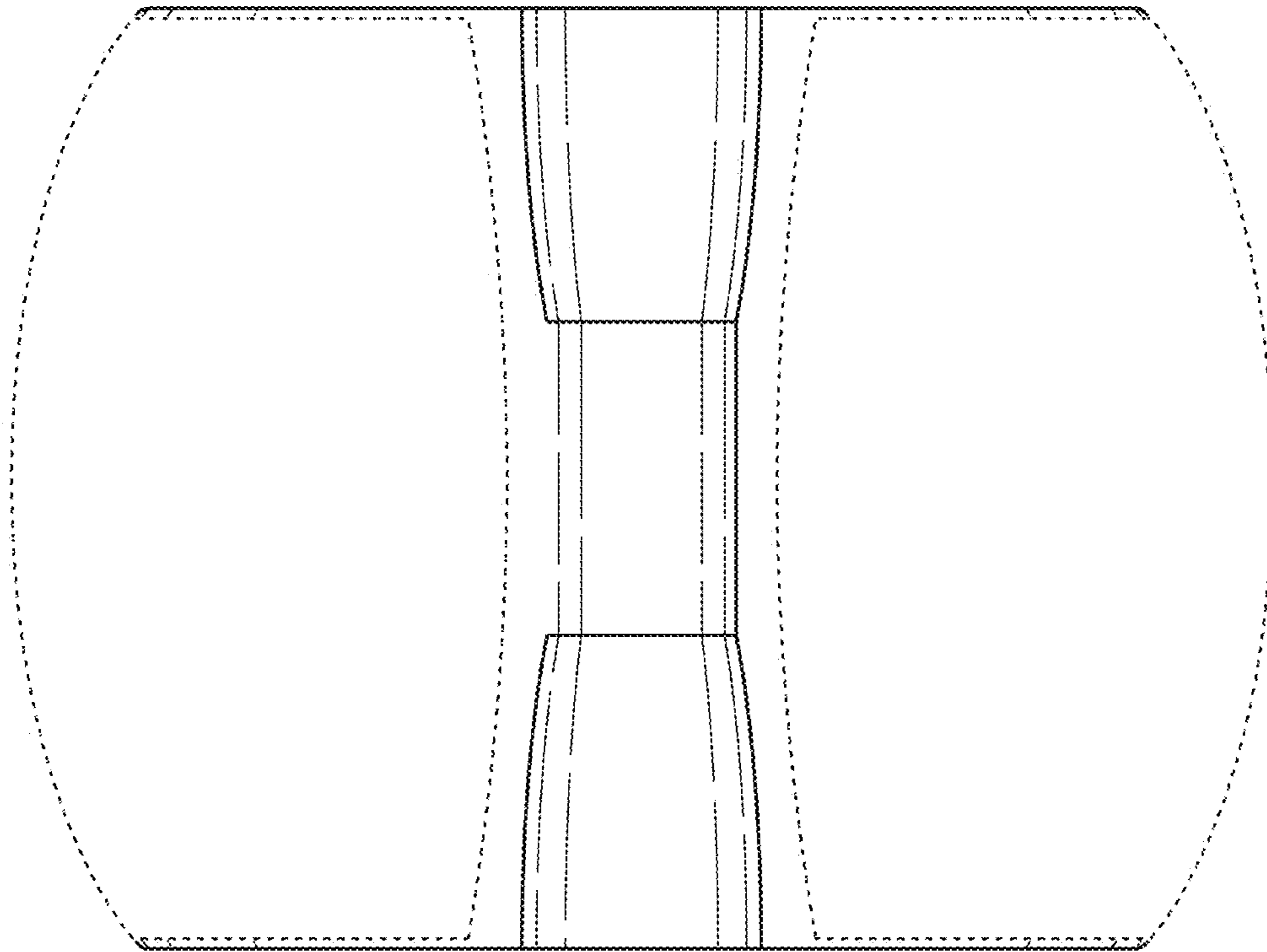


FIG. 17

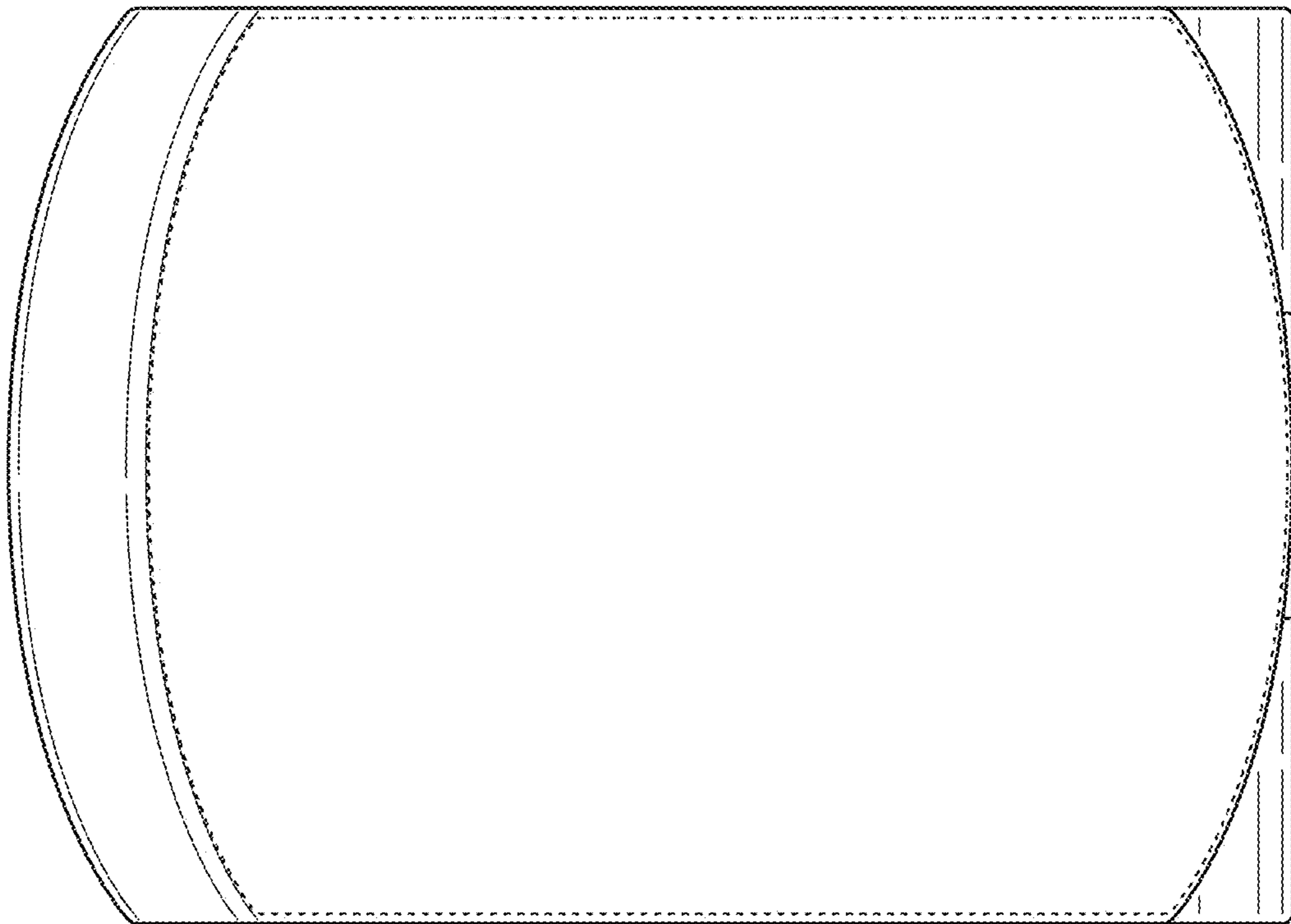


FIG. 18

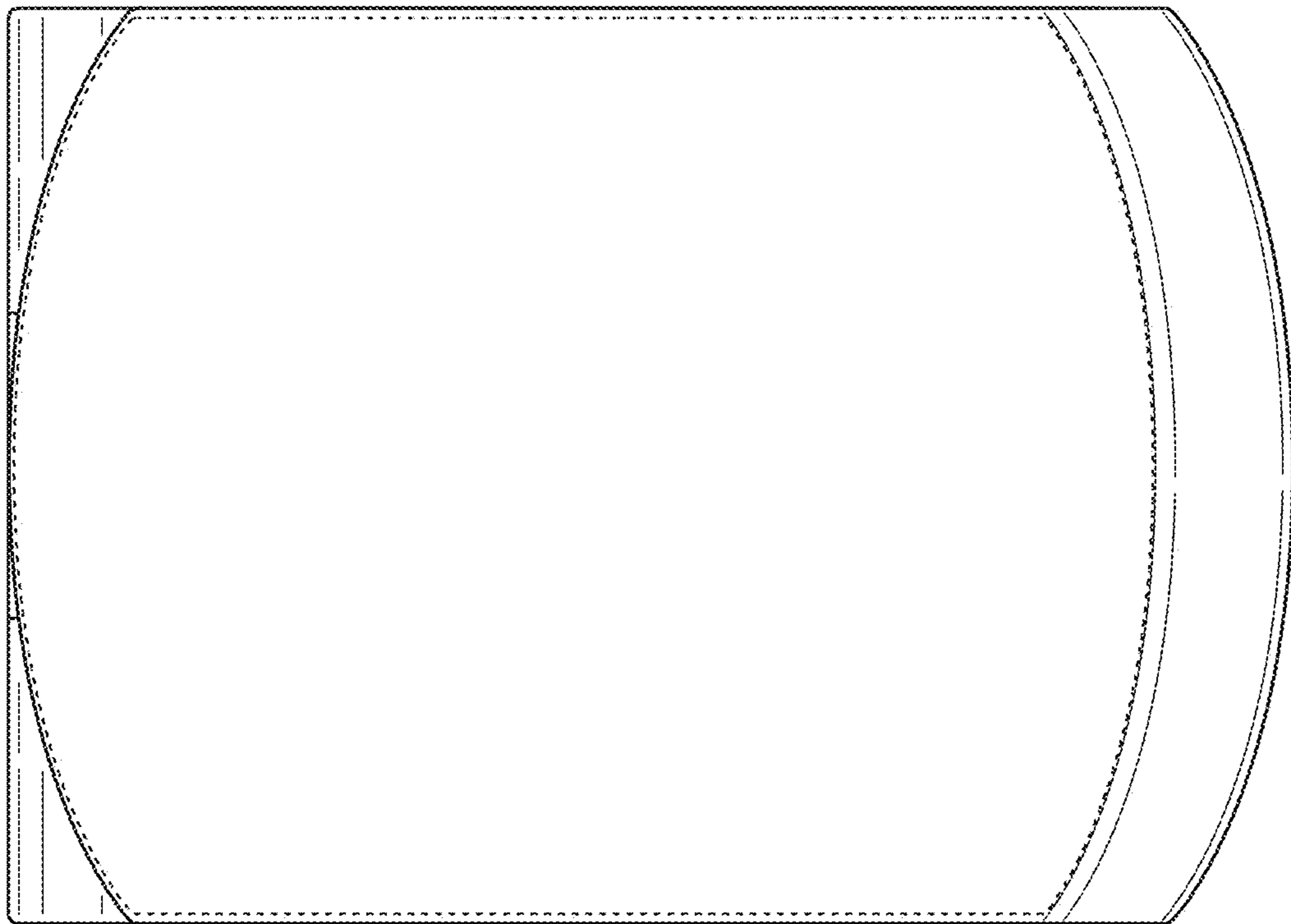


FIG. 19

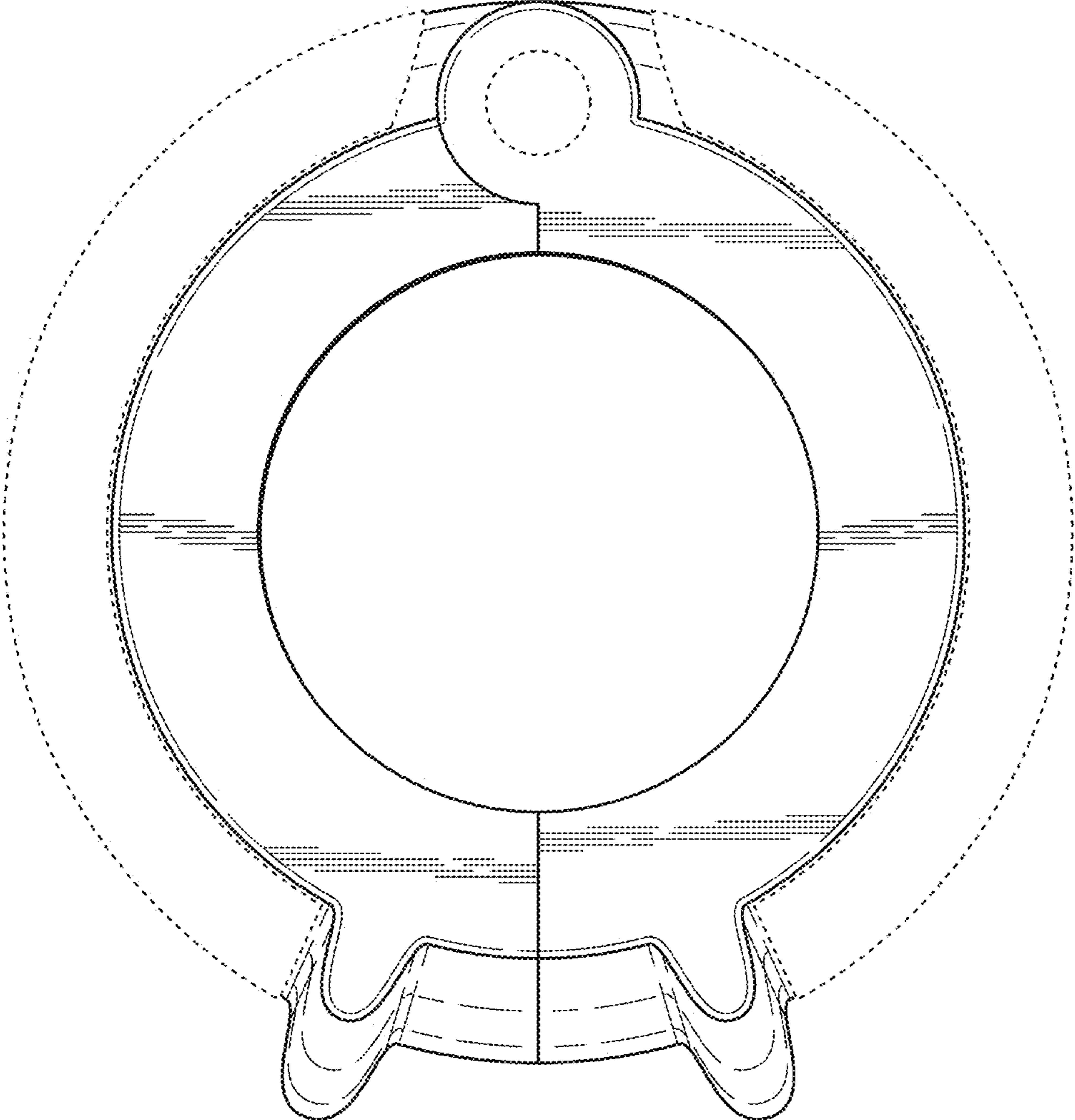


FIG. 20

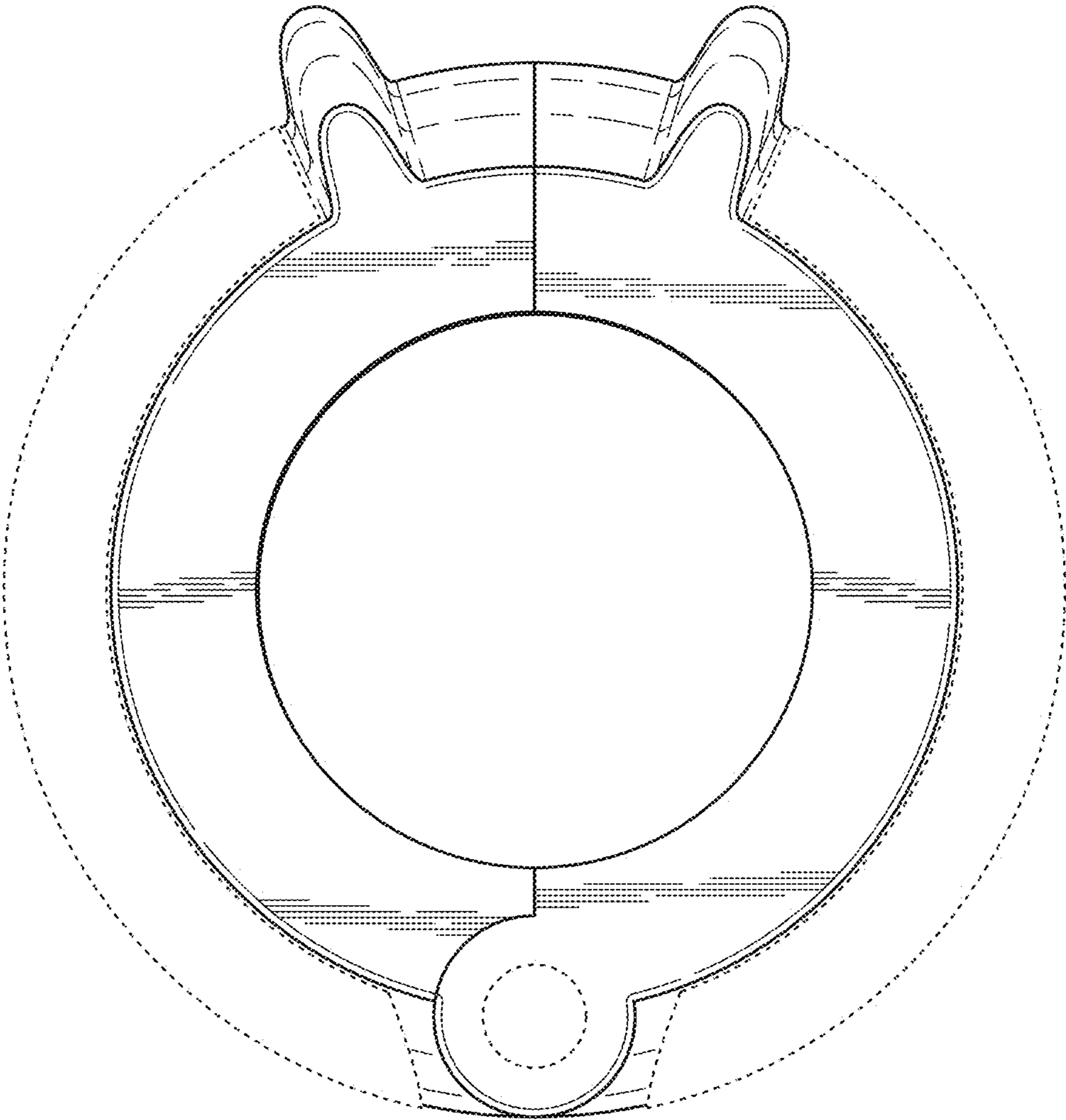


FIG. 21

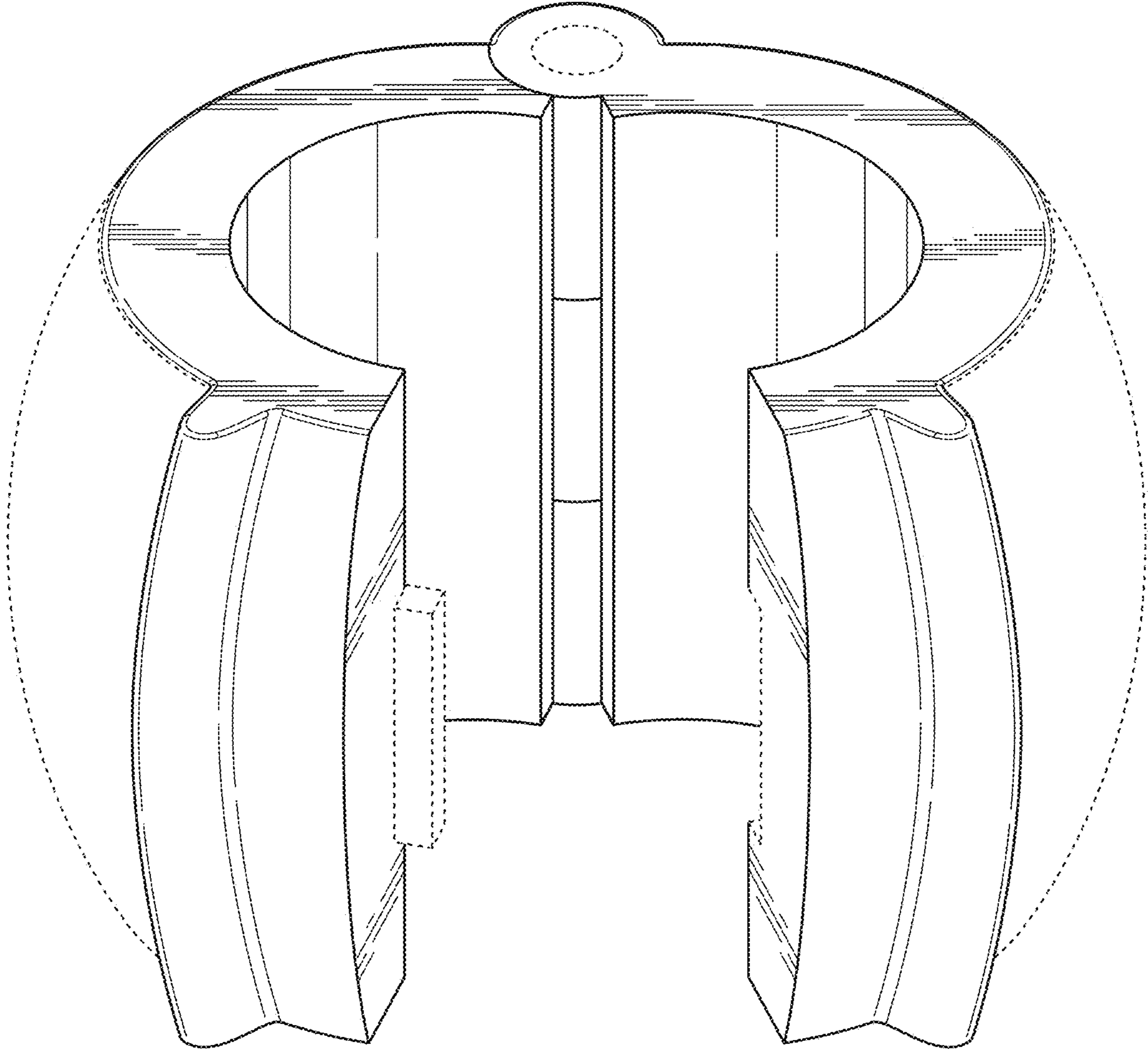


FIG. 22

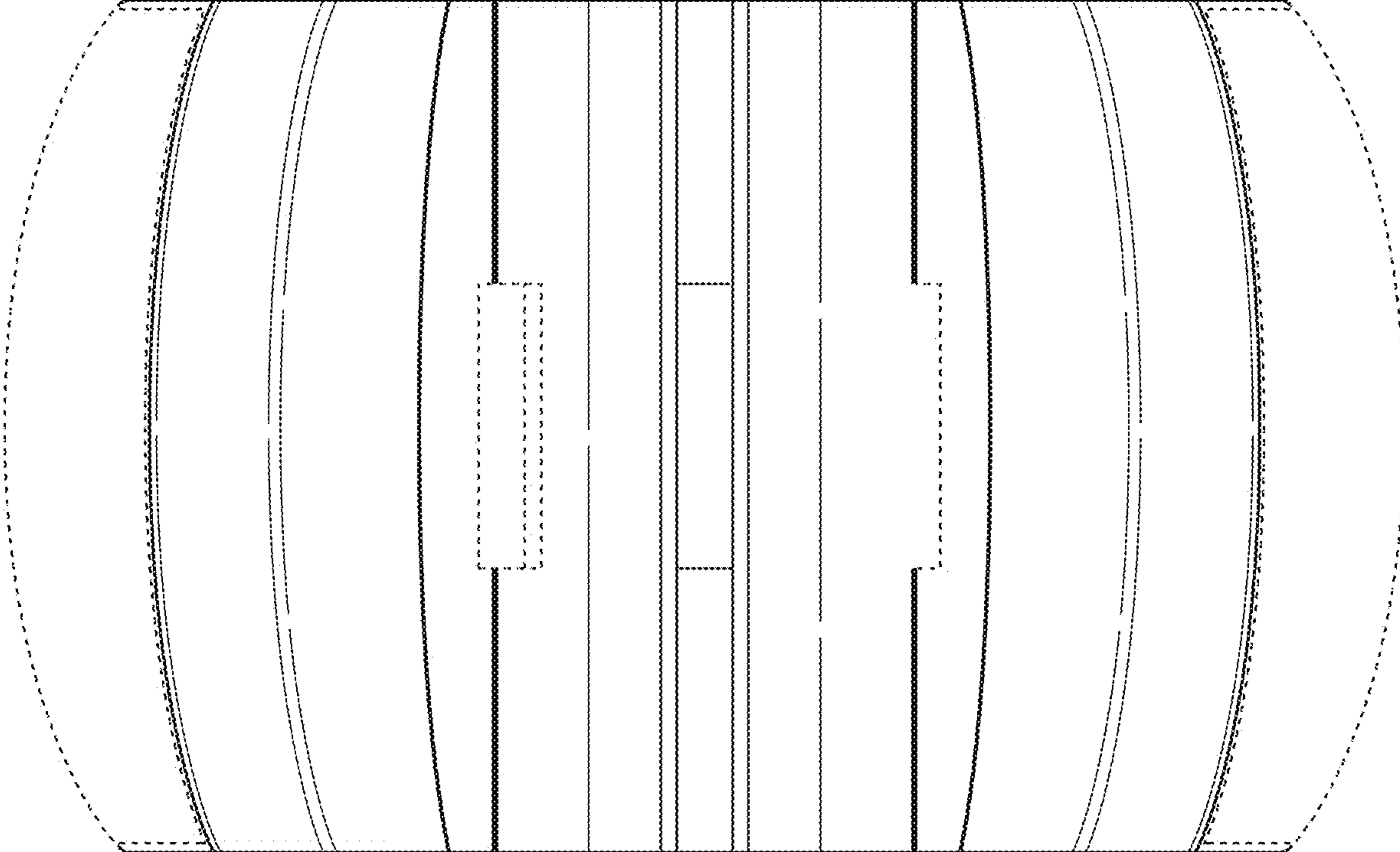


FIG. 23

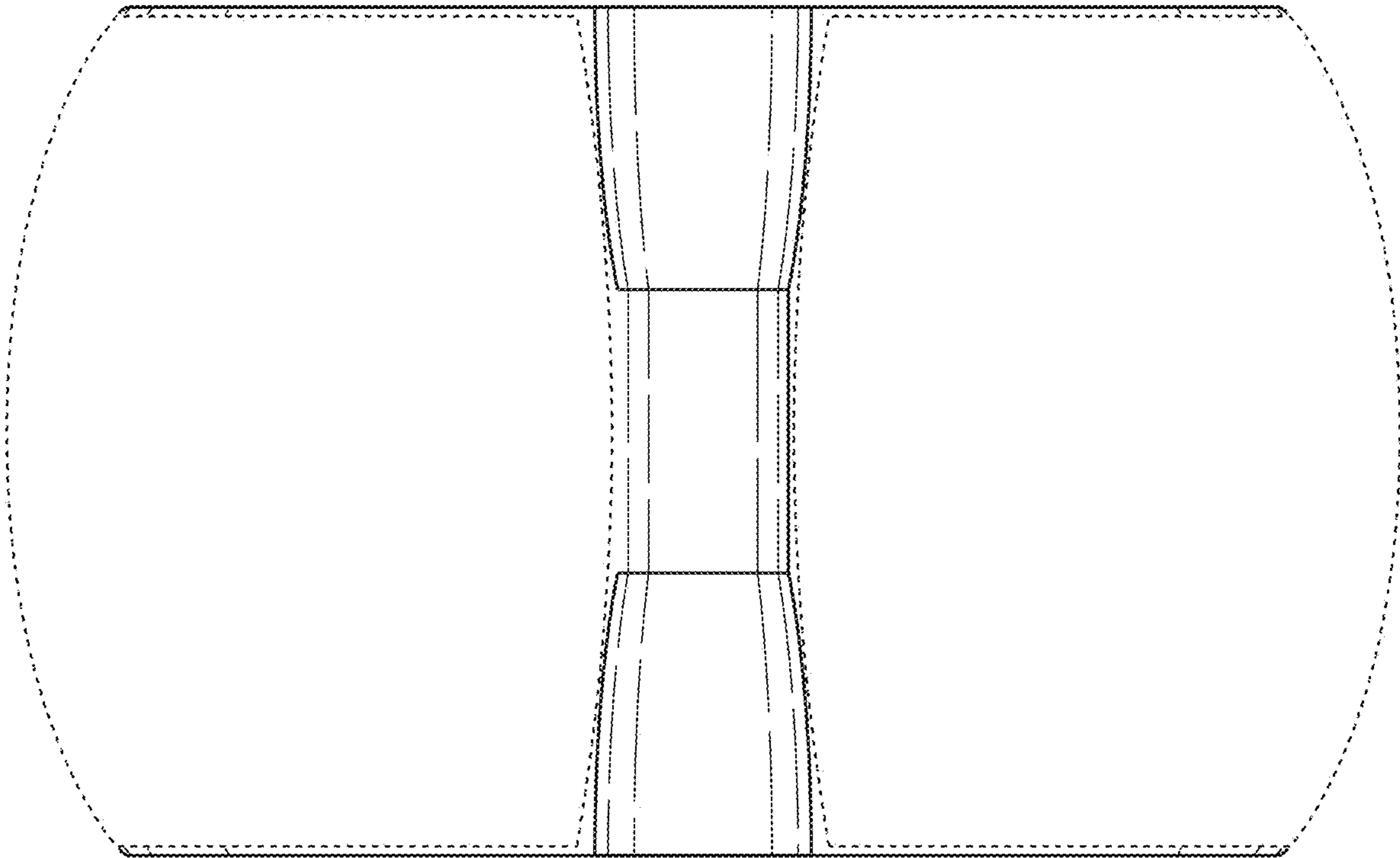


FIG. 24

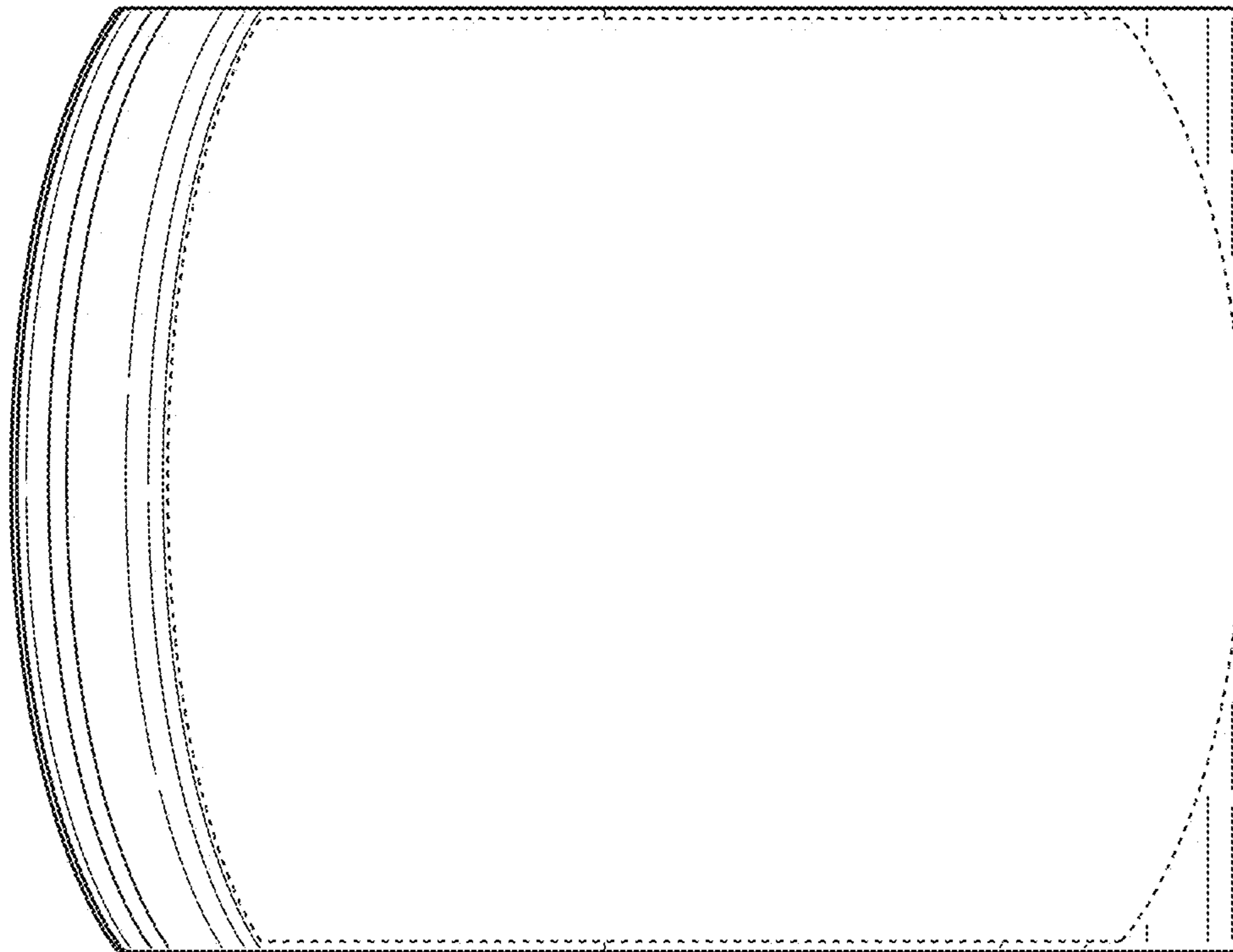


FIG. 25

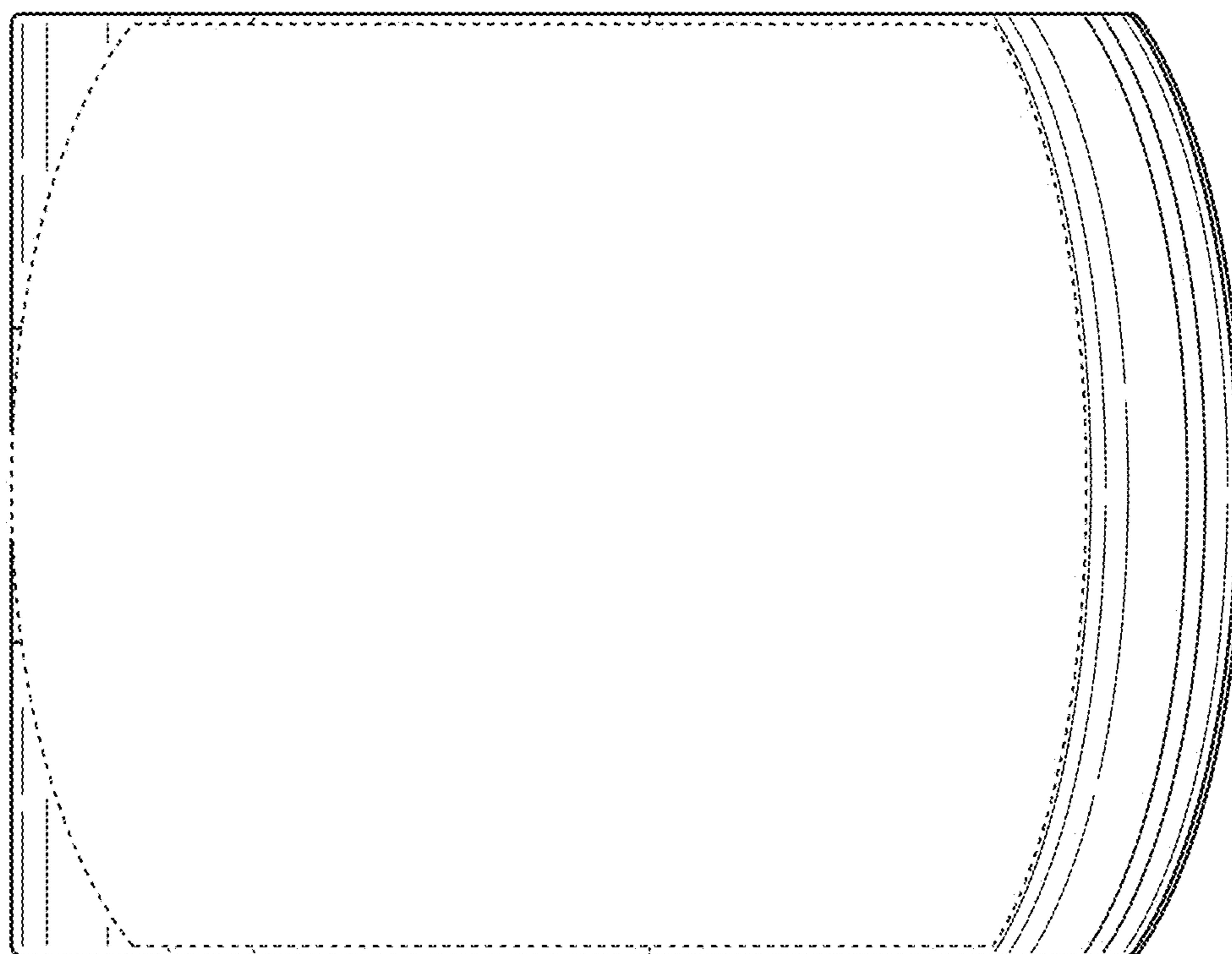


FIG. 26

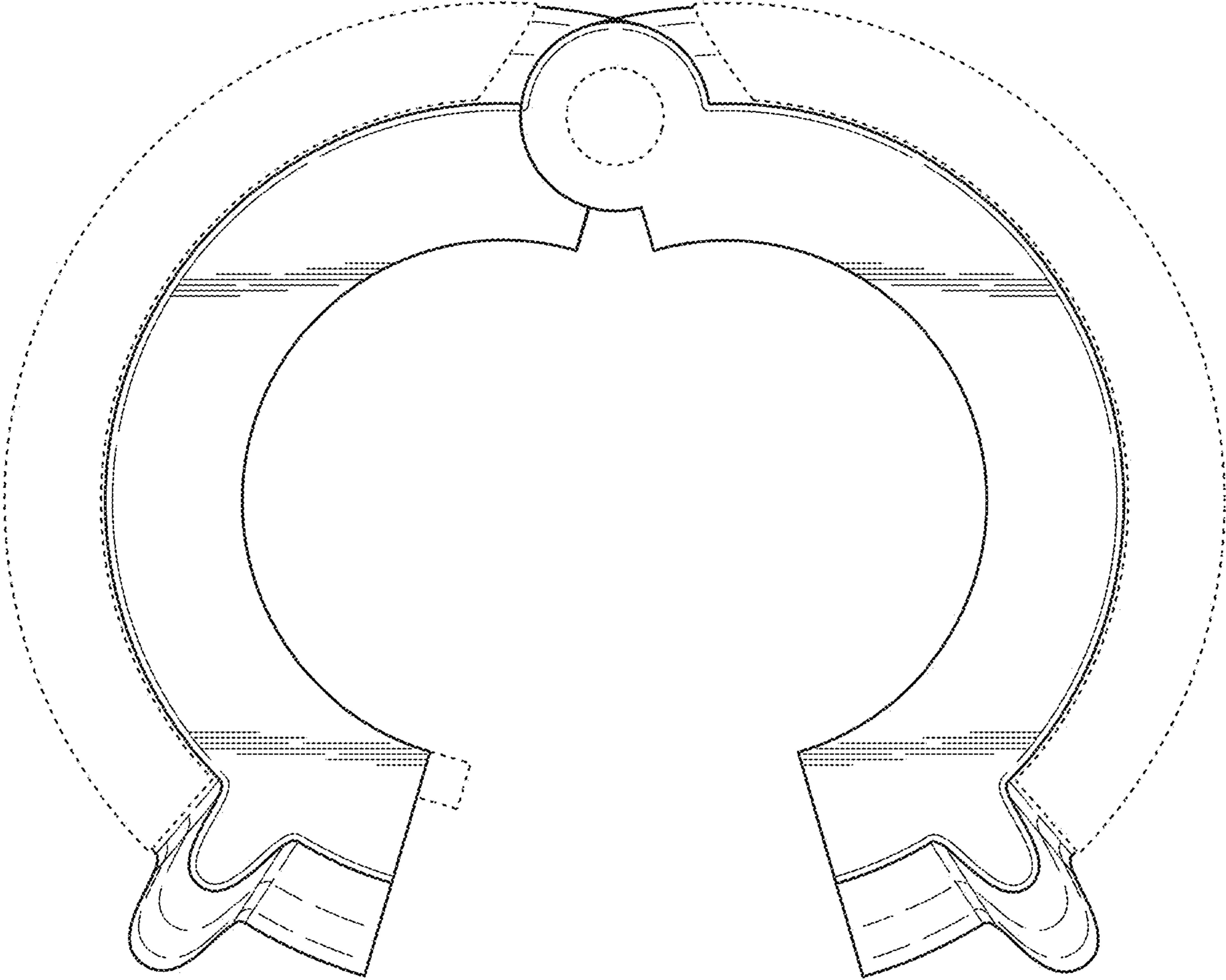


FIG. 27

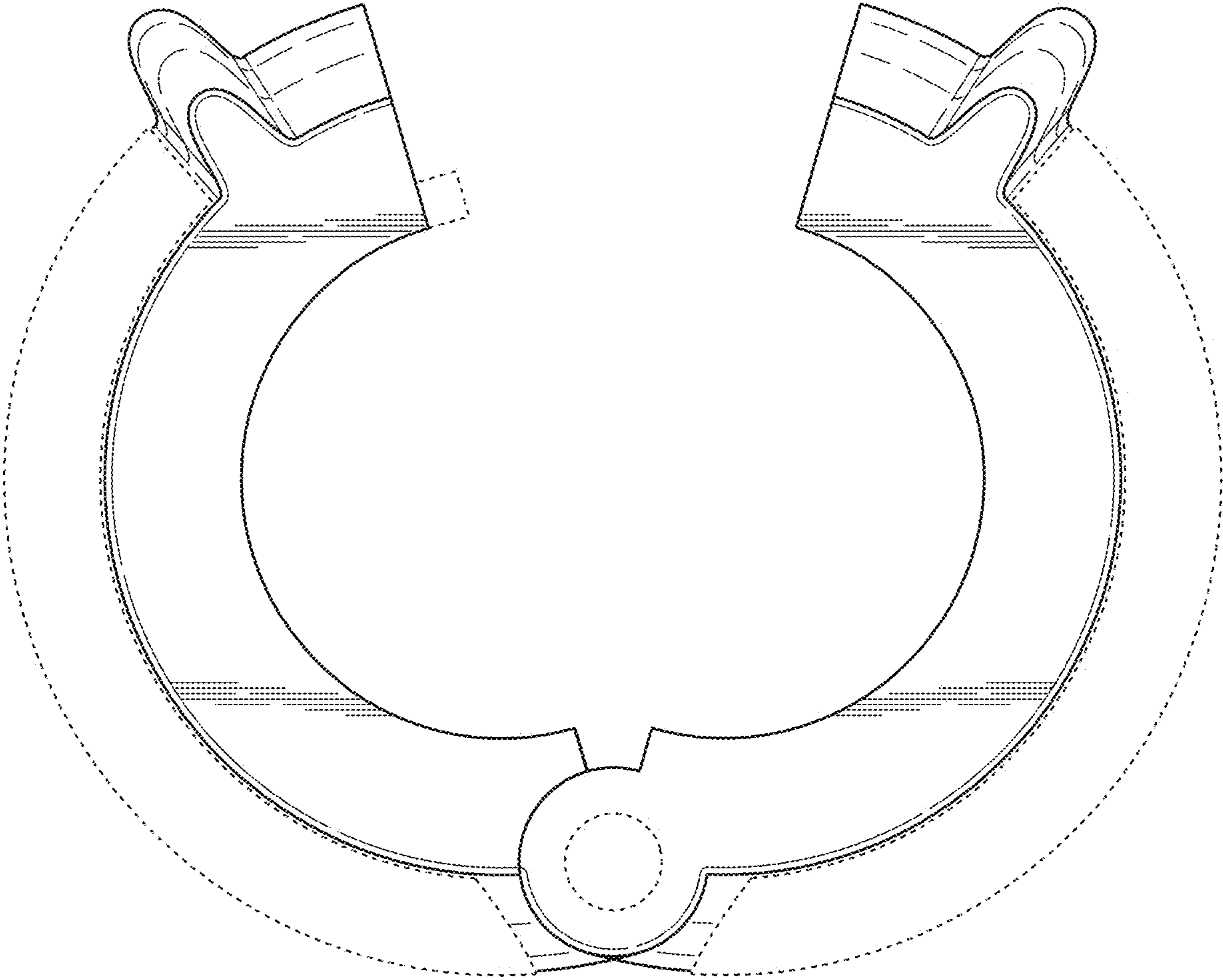


FIG. 28