



US00D969654S

(12) **United States Design Patent**
Wang et al.

(10) **Patent No.:** **US D969,654 S**

(45) **Date of Patent:** **** Nov. 15, 2022**

- (54) **ELECTRIC DOORBELL**
- (71) Applicant: **SHANGHAI IMILAB TECHNOLOGY CO., LTD.**, Shanghai (CN)
- (72) Inventors: **Yajun Wang**, Shanghai (CN); **Maofeng Kao**, Shanghai (CN); **Kaining Li**, Shanghai (CN)
- (73) Assignee: **SHANGHAI IMILAB TECHNOLOGY CO., LTD.**, Shanghai (CN)

- D848,891 S * 5/2019 Paredes D10/118.2
- D853,265 S * 7/2019 Grearson D10/118.2
- D871,483 S * 12/2019 Chang D16/208
- D874,536 S * 2/2020 Park D10/104.1
- D874,541 S * 2/2020 Kapuria D16/208
- D886,177 S * 6/2020 Ramones D16/218
- D906,151 S * 12/2020 Jacob D10/118.2
- D906,399 S * 12/2020 Wang D16/218
- D921,510 S * 6/2021 Zeng D10/118.2
- D924,712 S * 7/2021 Tseng D10/118.2
- D935,507 S * 11/2021 Li D16/203
- D947,271 S * 3/2022 Chen D16/218
- D950,623 S * 5/2022 Li D16/202

(Continued)

- (**) Term: **15 Years**
- (21) Appl. No.: **29/770,925**
- (22) Filed: **Feb. 17, 2021**

FOREIGN PATENT DOCUMENTS

- CN 305585894 * 2/2020
- CN 305630527 * 2/2020

(Continued)

(30) **Foreign Application Priority Data**

Dec. 24, 2020 (CN) 202030799864.0

- (51) **LOC (13) Cl.** **10-05**
- (52) **U.S. Cl.**
USPC **D10/118.2**
- (58) **Field of Classification Search**
USPC D10/106.6, 106.7, 106.8, 116.1, 118.2,
D10/121-124, 126; D13/171, 174
CPC ... G08B 3/00; G08B 3/10; G08B 7/00; G08B
7/06; G08B 13/1436; G08B 13/1463;
G08B 13/1481
See application file for complete search history.

Primary Examiner — Joseph Kukella
Assistant Examiner — Heather Ann Laaveg Wencil
(74) *Attorney, Agent, or Firm* — Fideli Law PLLC

(57) **CLAIM**

The ornamental design for an electric doorbell, as shown and described.

DESCRIPTION

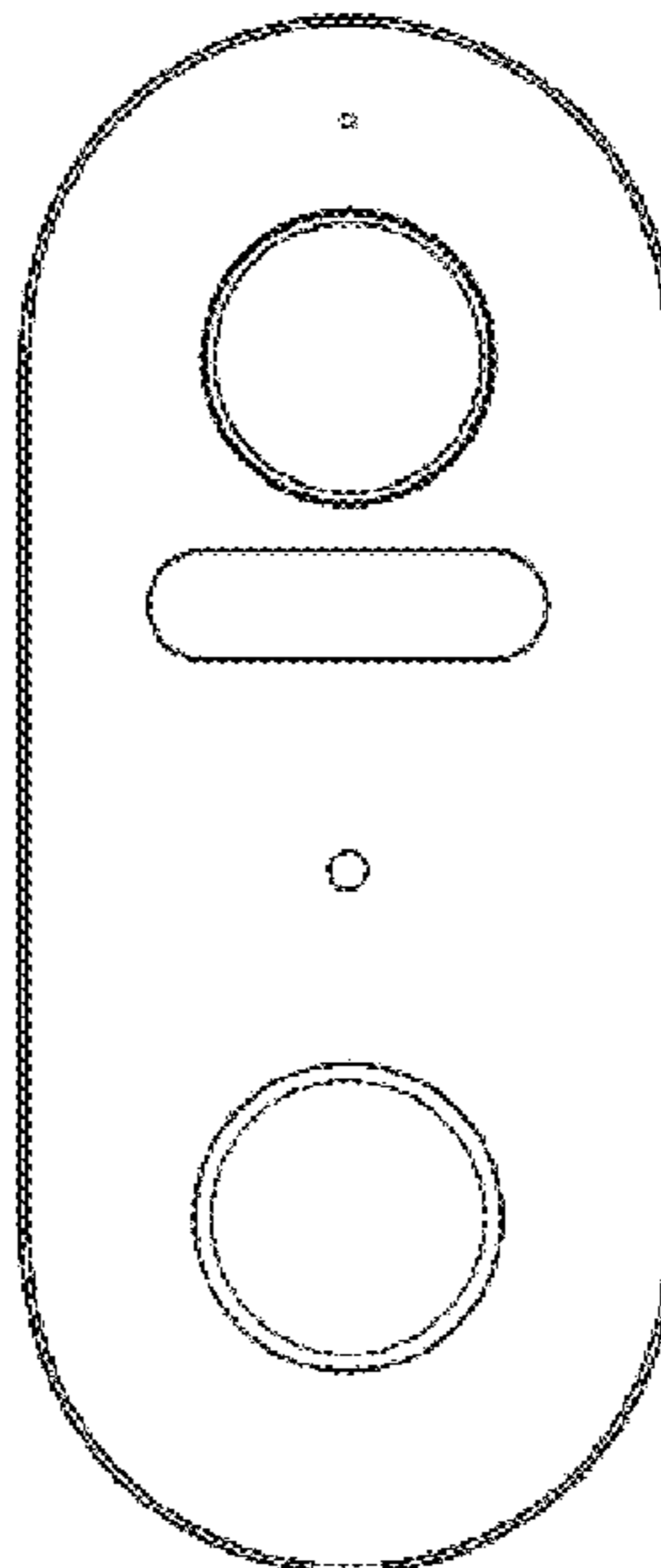
FIG. 1 is a front view of the design;
FIG. 2 is a left view of the design;
FIG. 3 is a right view of the design;
FIG. 4 is a rear view of the design;
FIG. 5 is a top view of the design;
FIG. 6 is a bottom view of the design; and,
FIG. 7 is a perspective view of the design.
This design product is used for obtaining one or more of image information, sound information and video information outside a door, as well as alerting a request to open the door, etc.

(56) **References Cited**

U.S. PATENT DOCUMENTS

- D272,821 S * 2/1984 Perethian D13/167
- D527,667 S * 9/2006 Kim D10/116.1
- D667,382 S * 9/2012 Cosentino D13/168
- D764,462 S * 8/2016 Romanoff D14/453

1 Claim, 7 Drawing Sheets



(56)

References Cited

U.S. PATENT DOCUMENTS

2011/0124383 A1* 5/2011 Garra H04M 1/724
340/815.4
2016/0219254 A1* 7/2016 Hu H04N 7/186
2019/0149775 A1* 5/2019 Alamgir G08B 13/1966
348/143
2021/0335122 A1* 10/2021 Mahmoud G16H 40/20

FOREIGN PATENT DOCUMENTS

CN 307065052 * 1/2022
GB 6125115 * 3/2021
JP D1708992 * 3/2022
KR 3011470820003 * 1/2022

* cited by examiner

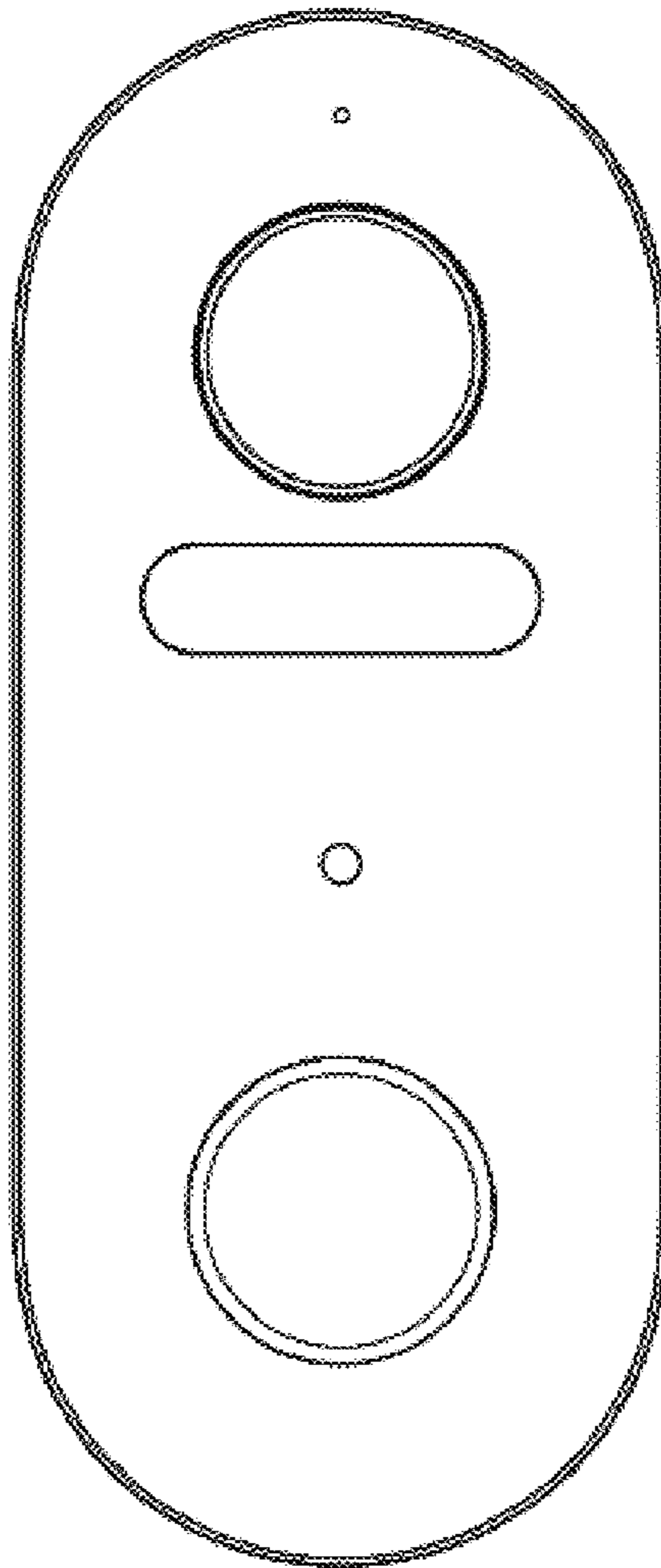


FIG. 1

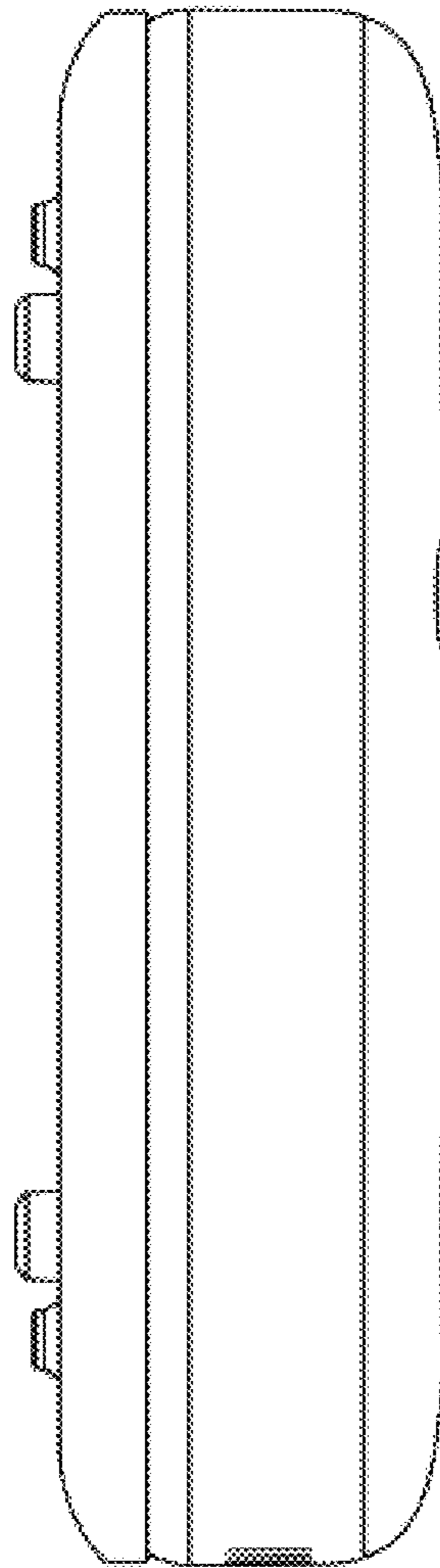


FIG. 2

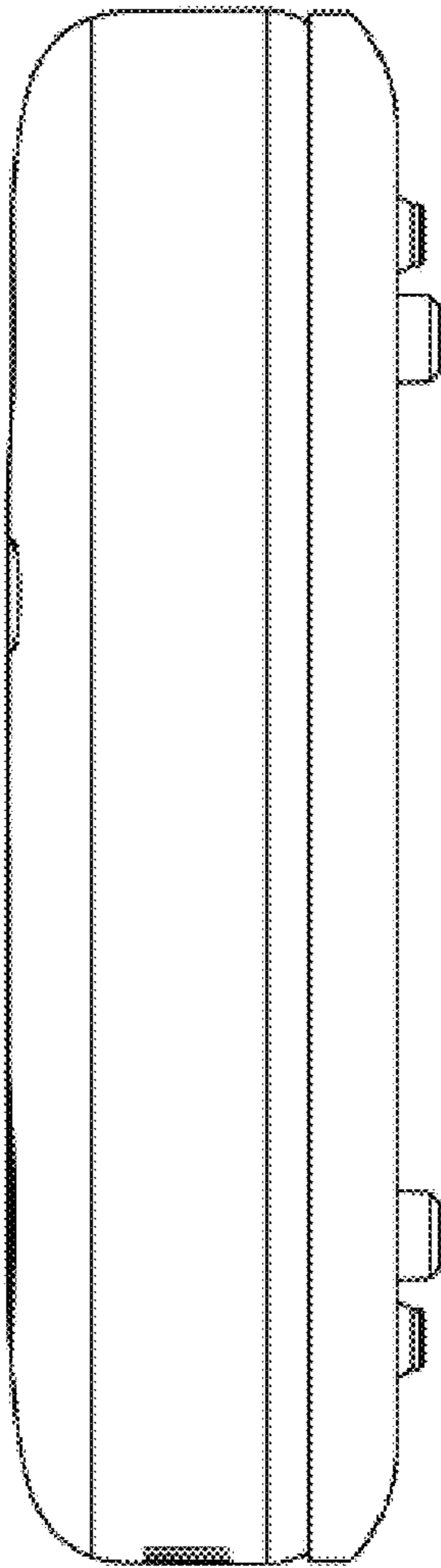


FIG. 3

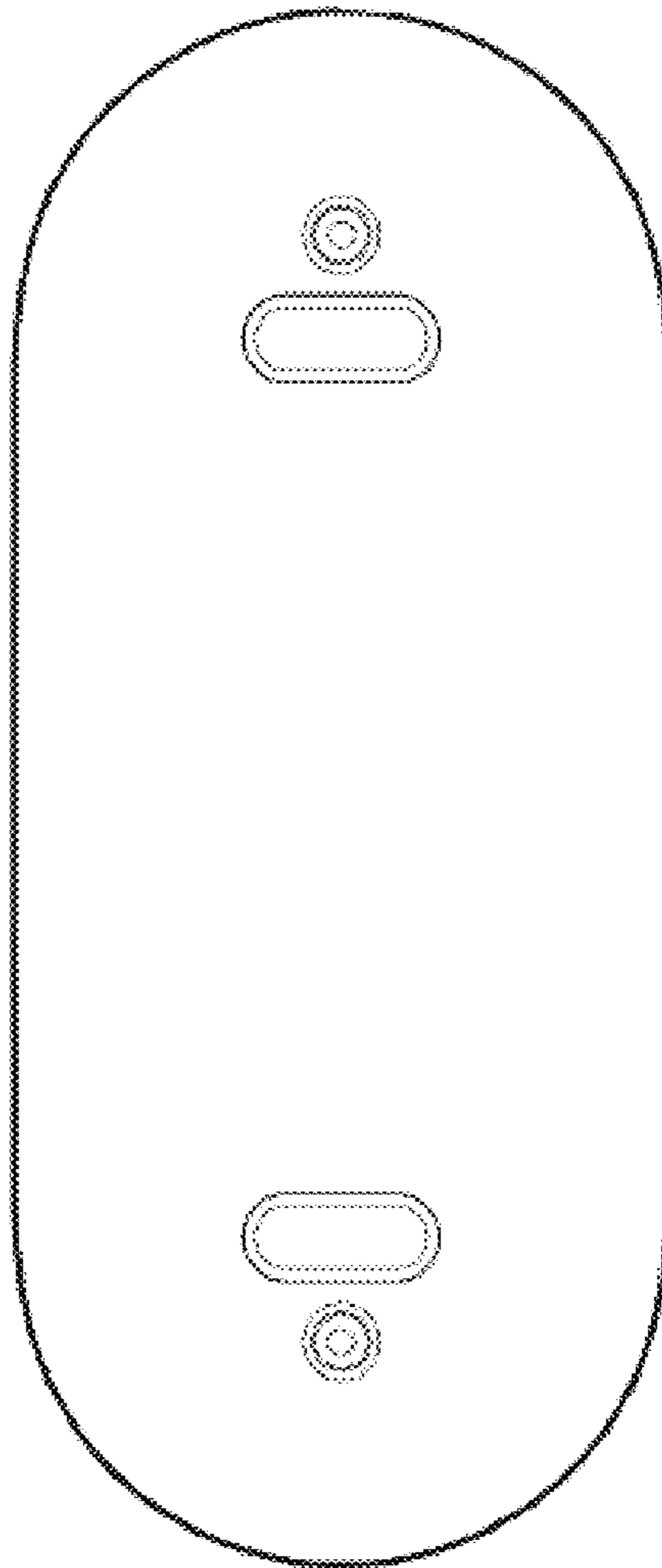


FIG. 4

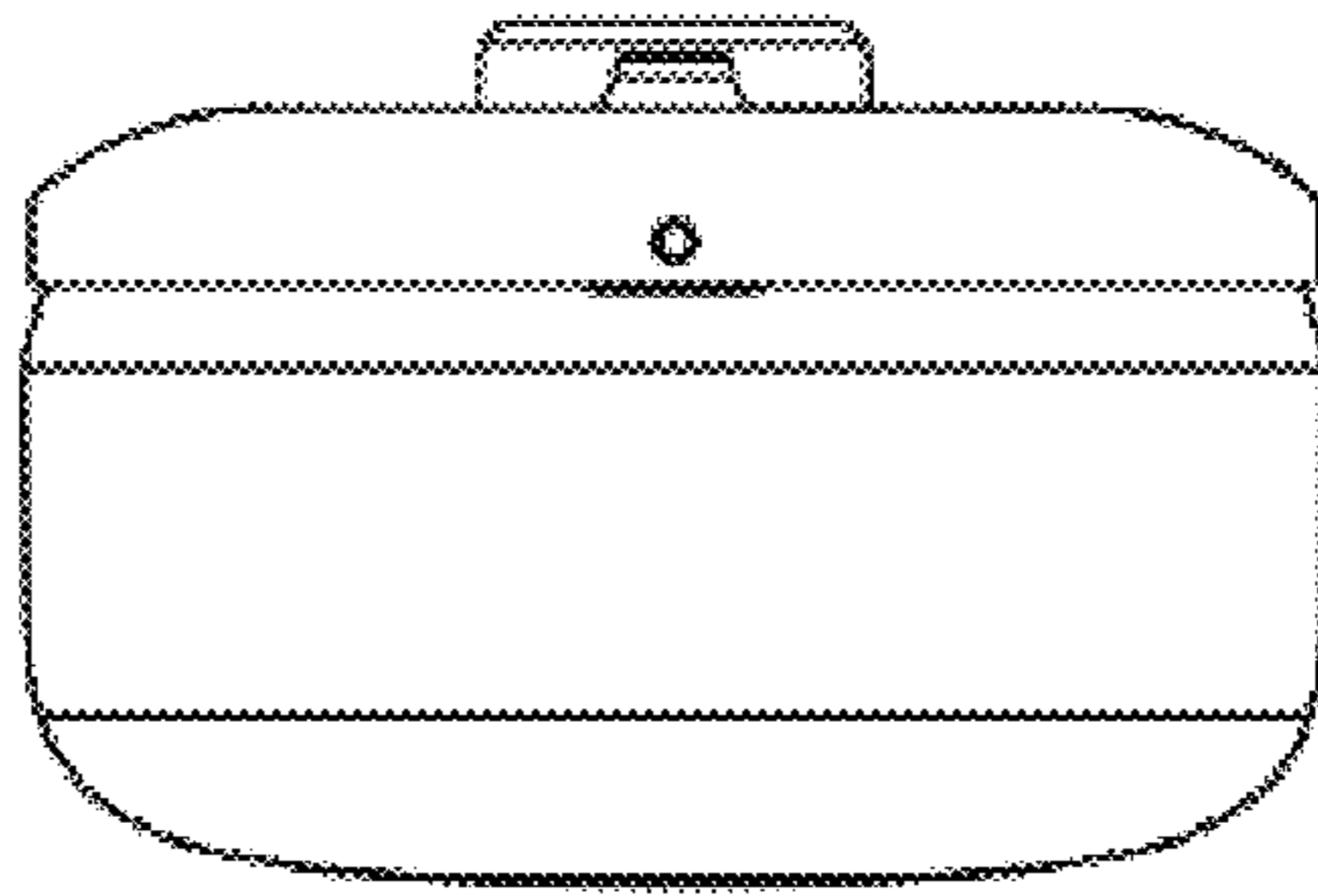


FIG. 5

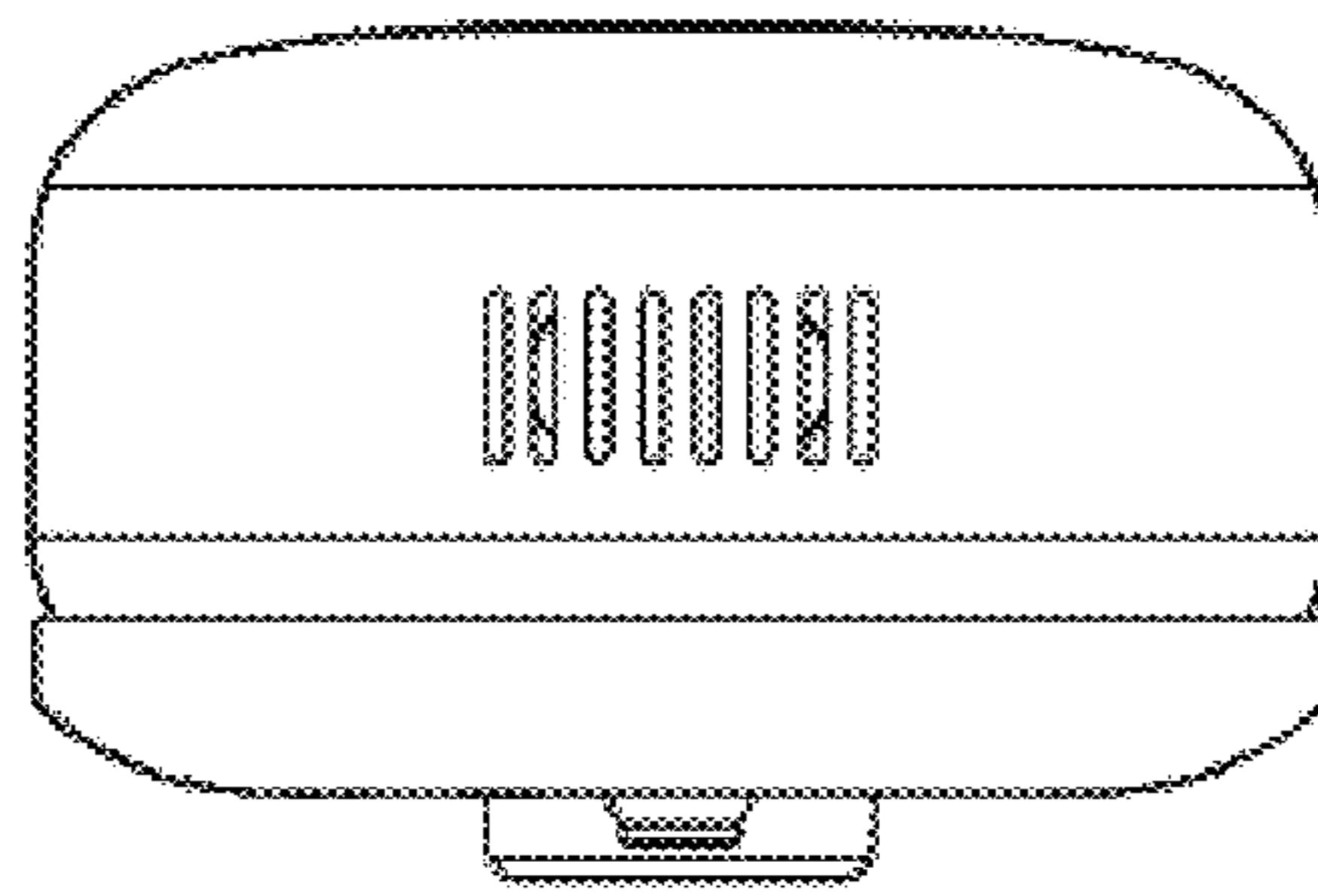


FIG. 6

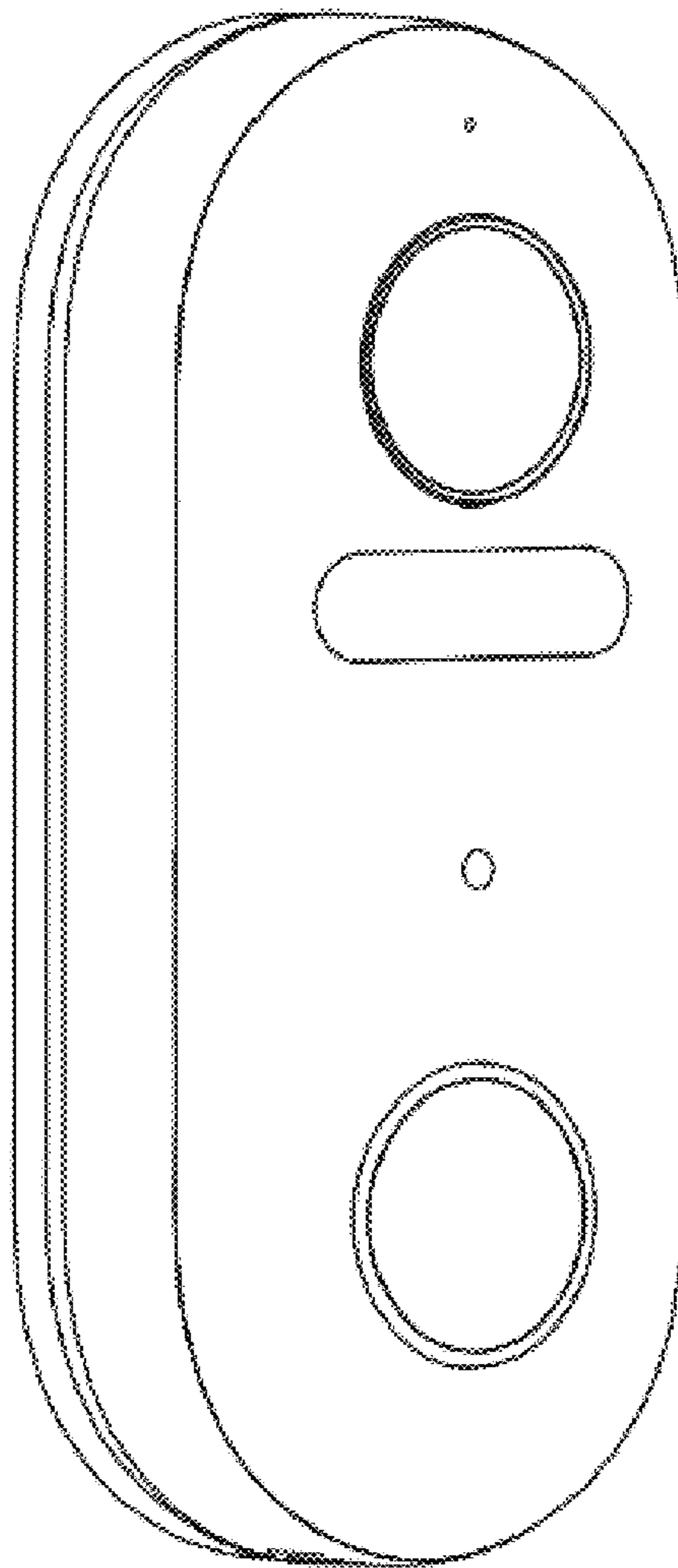


FIG. 7