



US00D969652S

(12) **United States Design Patent**
Bevan, III

(10) **Patent No.:** **US D969,652 S**

(45) **Date of Patent:** **** Nov. 15, 2022**

- (54) **NETWORKED ROAD MARKER**
- (71) Applicant: **Fence Post, LLC**, Sonoma, CA (US)
- (72) Inventor: **George Lawrence Bevan, III**, Sonoma, CA (US)
- (73) Assignee: **Fence Post, LLC**, Sonoma, CA (US)
- (**) Term: **15 Years**
- (21) Appl. No.: **29/731,188**
- (22) Filed: **Apr. 13, 2020**
- (51) **LOC (13) Cl.** **10-05**
- (52) **U.S. Cl.**
USPC **D10/113.1**
- (58) **Field of Classification Search**
USPC D10/113.1, 109.1, 114.1, 111, 104.1,
D10/109.2, 113.4
CPC E01F 9/50; E01F 9/553
See application file for complete search history.

2,627,784	A *	2/1953	Pellar	E01F 9/553 404/16
D269,664	S *	7/1983	Marks	D10/104.1
4,717,281	A *	1/1988	Shepherd	E01F 9/553 116/63 R
D357,205	S *	4/1995	Sandino	D10/113.1
D386,434	S *	11/1997	Sandino	D10/113.1
D400,274	S *	10/1998	Ziaylek, Jr.	D26/36
D411,640	S *	6/1999	Lueken	D26/74
D427,103	S *	6/2000	Bryant, Jr.	D10/113.1
D486,411	S *	2/2004	Brown	D10/114.2
D511,117	S *	11/2005	Farrahi	D10/113.1
D512,335	S *	12/2005	Chang	D10/113.1
D514,465	S *	2/2006	Chang	D10/113.1
D519,050	S *	4/2006	Lee	D10/113.1
D602,390	S *	10/2009	DeDomenico	D10/113.1
D737,165	S *	8/2015	Bjorklund	D10/113.1
D880,324	S *	4/2020	Greenwood	D10/104.1

* cited by examiner

Primary Examiner — George D. Kirschbaum

Assistant Examiner — Lillian Windham

(74) *Attorney, Agent, or Firm* — Knobbe Martens Olson & Bear LLP

(56) **References Cited**

U.S. PATENT DOCUMENTS

1,480,037	A *	1/1924	De Witt	E01F 9/559 362/153.1
1,518,678	A *	12/1924	Sovereign	E01F 9/559 362/153.1
D67,236	S *	5/1925	Schulz	D10/113.1
D73,786	S *	11/1927	Katzinger	D7/677
1,696,510	A *	12/1928	Wallace	E01F 9/553 404/15
D84,027	S *	4/1931	Coppel	D10/113.1
D101,134	S *	9/1936	Moorman	D10/113.1
2,073,166	A *	3/1937	Moorman	E01F 9/553 404/16
2,256,636	A *	9/1941	Abbott	E01F 9/553 404/16
2,304,345	A *	12/1942	Elliott	E01F 9/553 404/15

(57) **CLAIM**

The ornamental design for a networked road marker, as shown and described.

DESCRIPTION

FIG. 1 is a top left front perspective view of a networked road marker embodying the new design.

FIG. 2 is a front view thereof.

FIG. 3 is a rear view.

FIG. 4 is a left view.

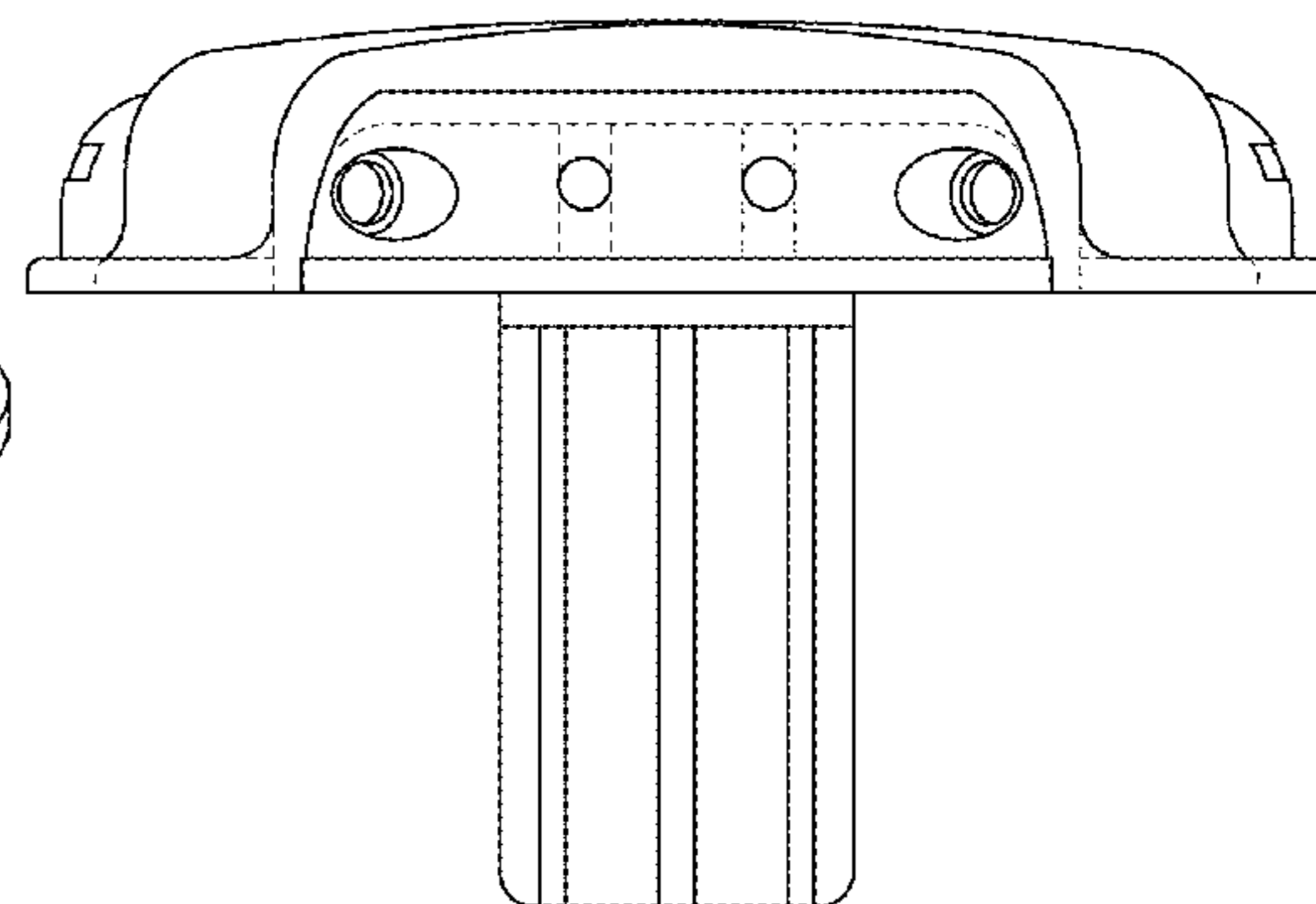
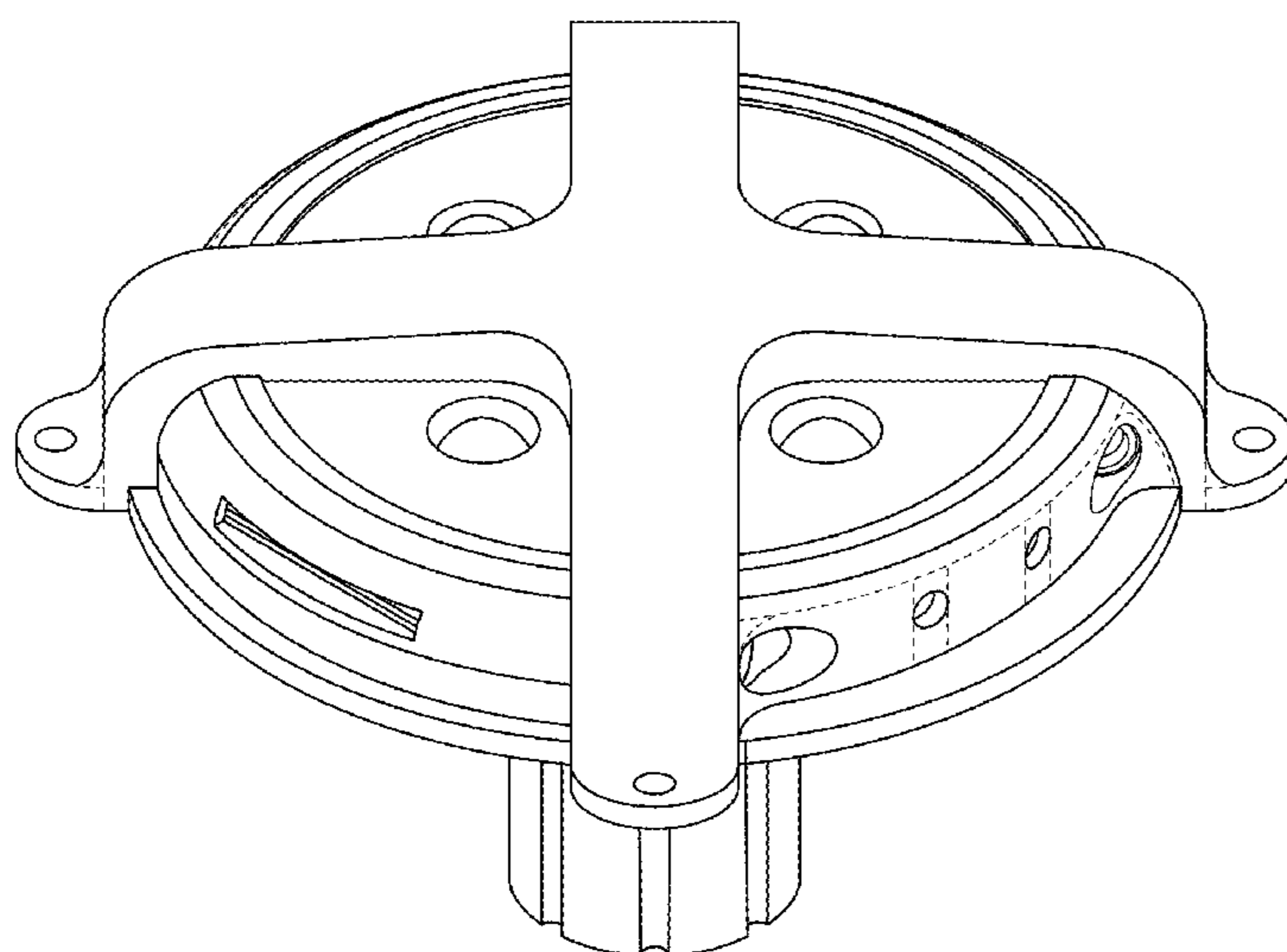
FIG. 5 is a right view.

FIG. 6 is a top view; and,

FIG. 7 is a bottom view.

Broken lines are used to illustrate features of the networked road marker which form no part of the claimed design.

1 Claim, 7 Drawing Sheets



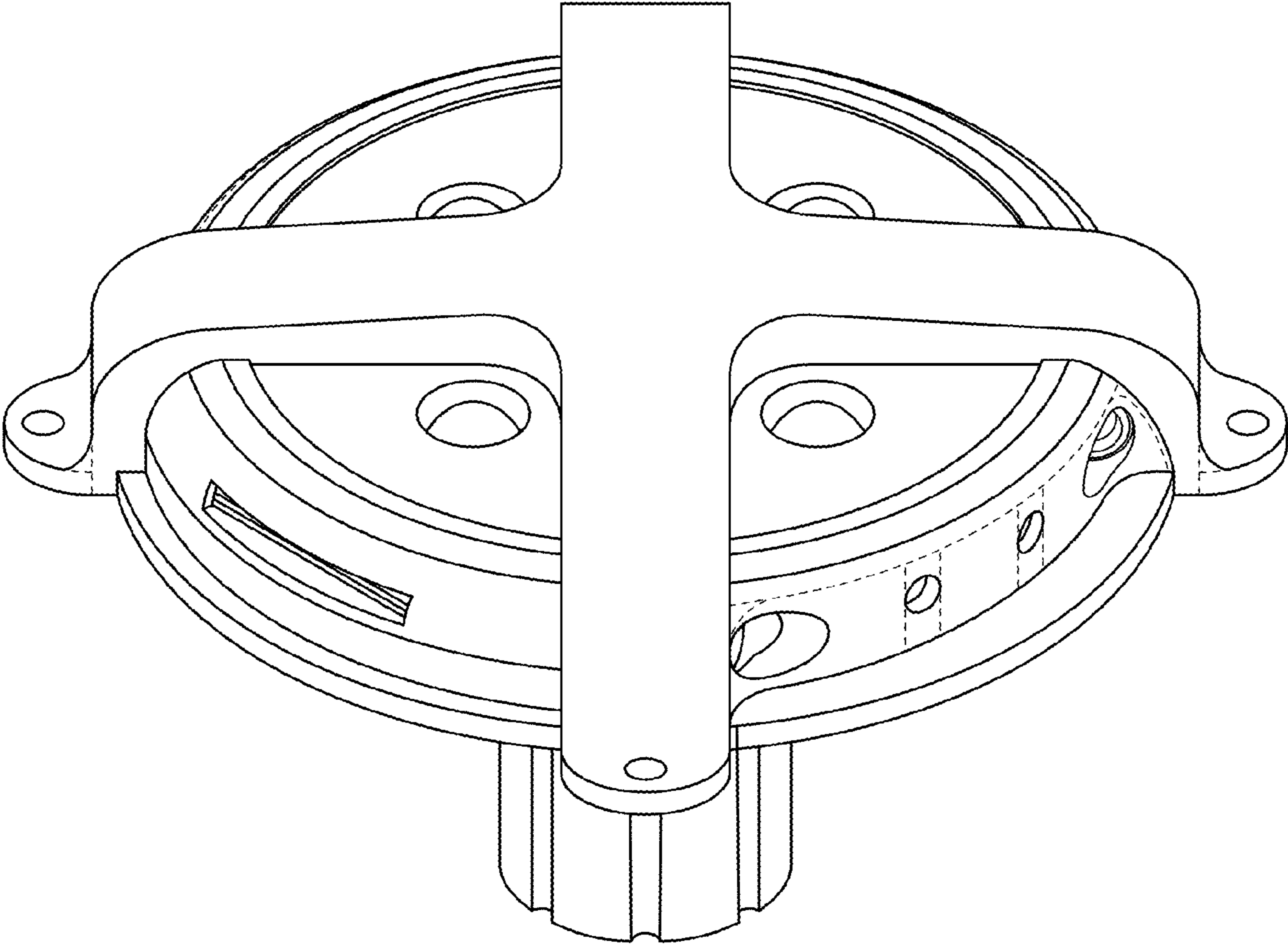


FIG. 1

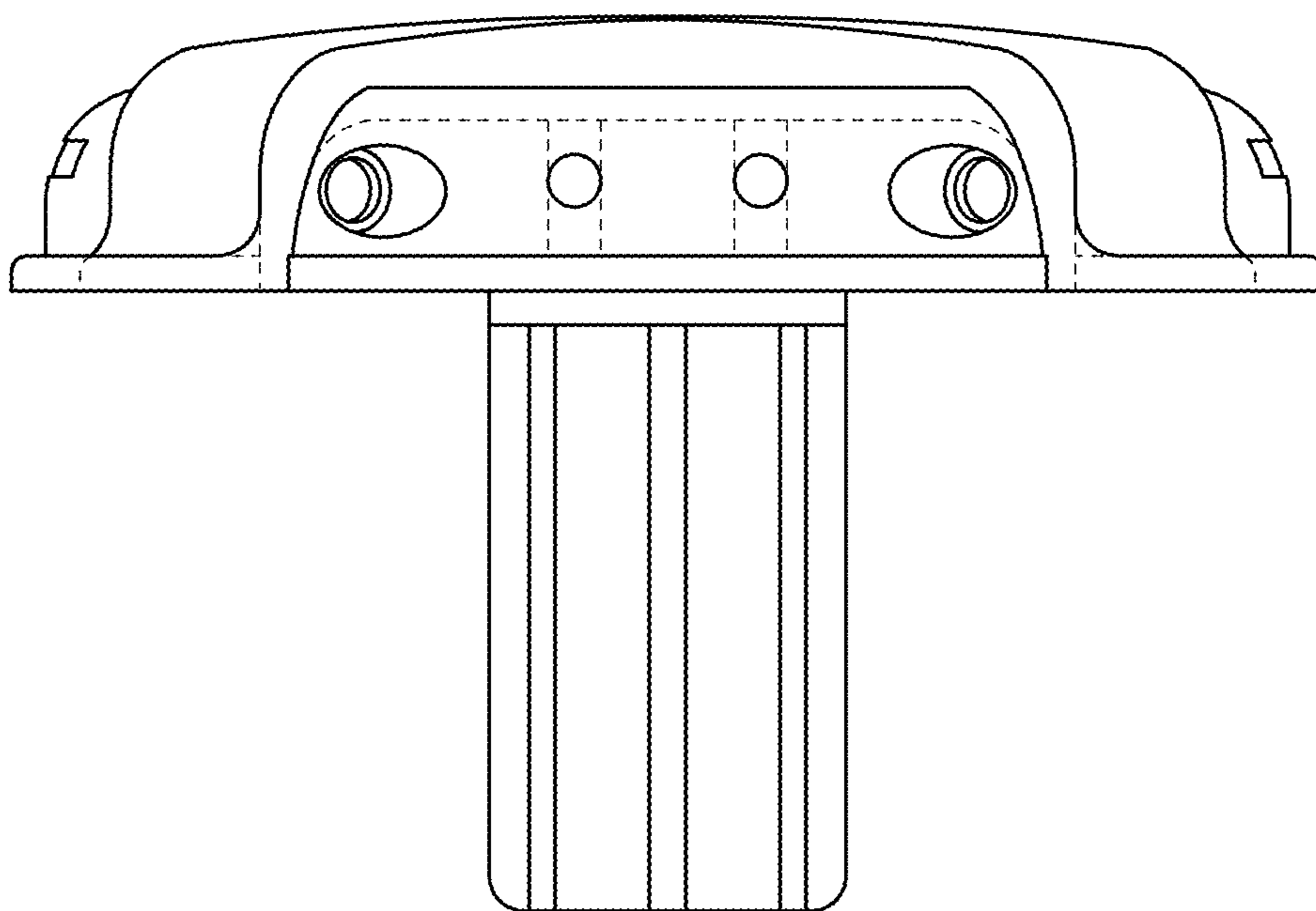


FIG. 2

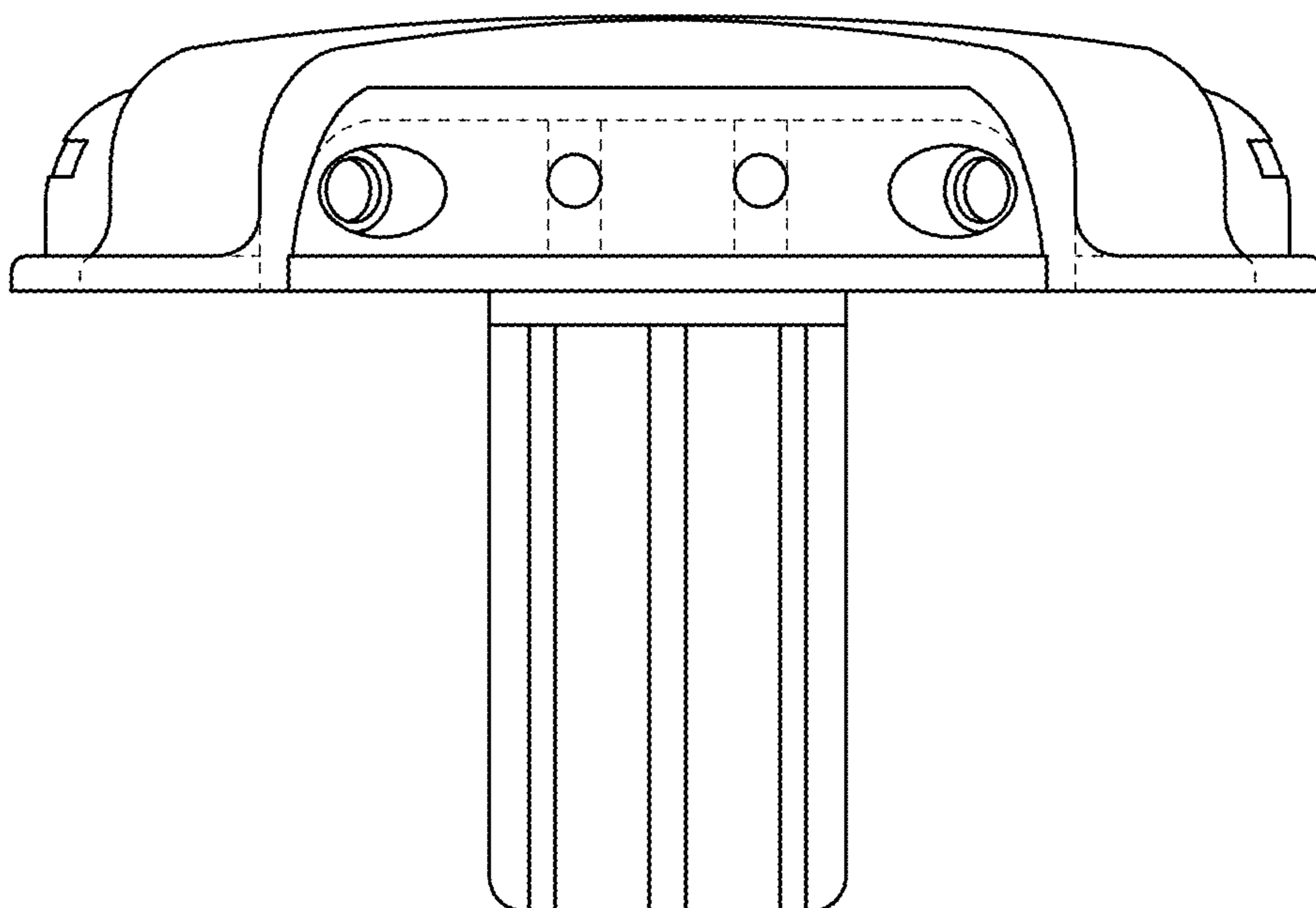


FIG. 3

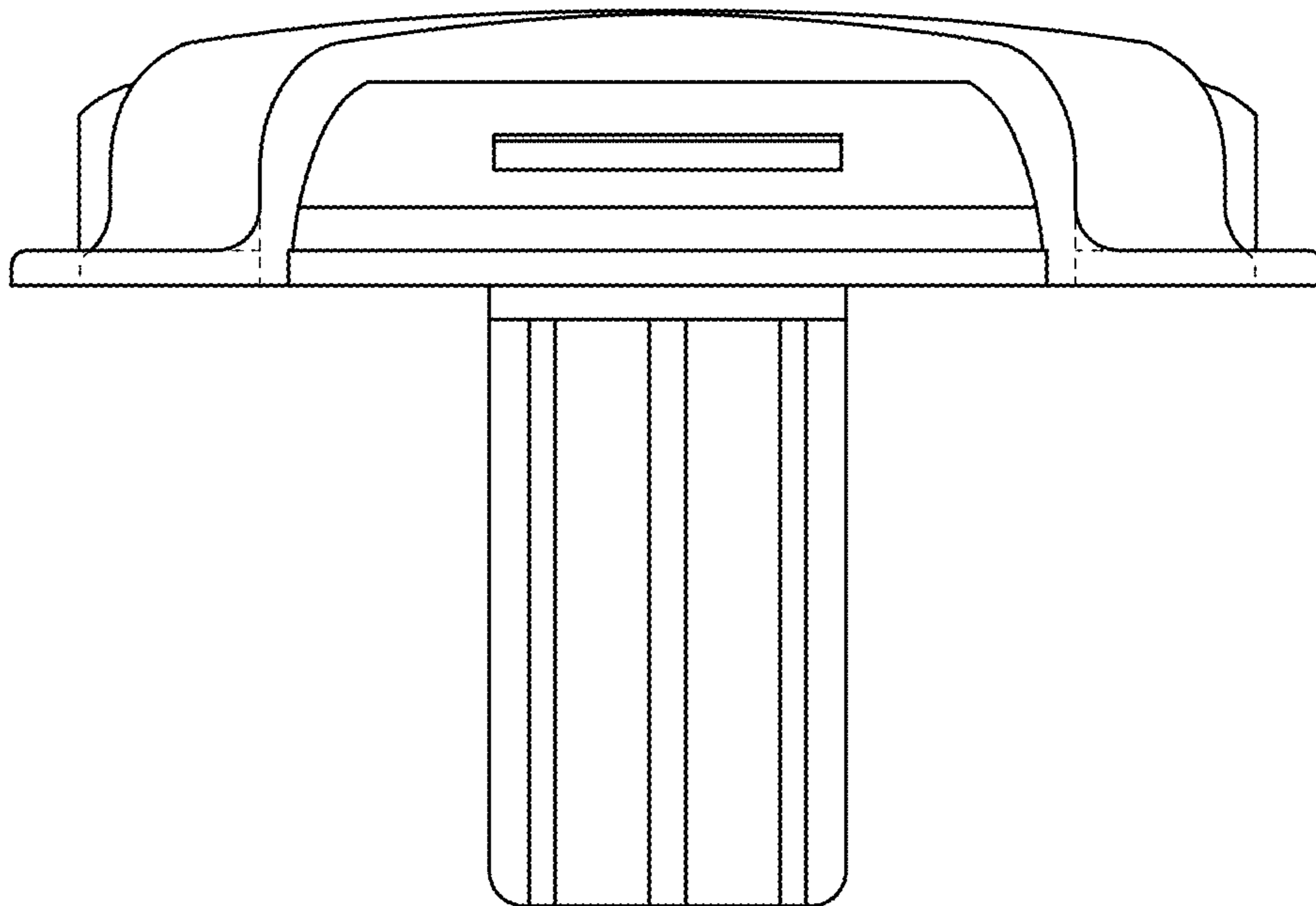


FIG. 4

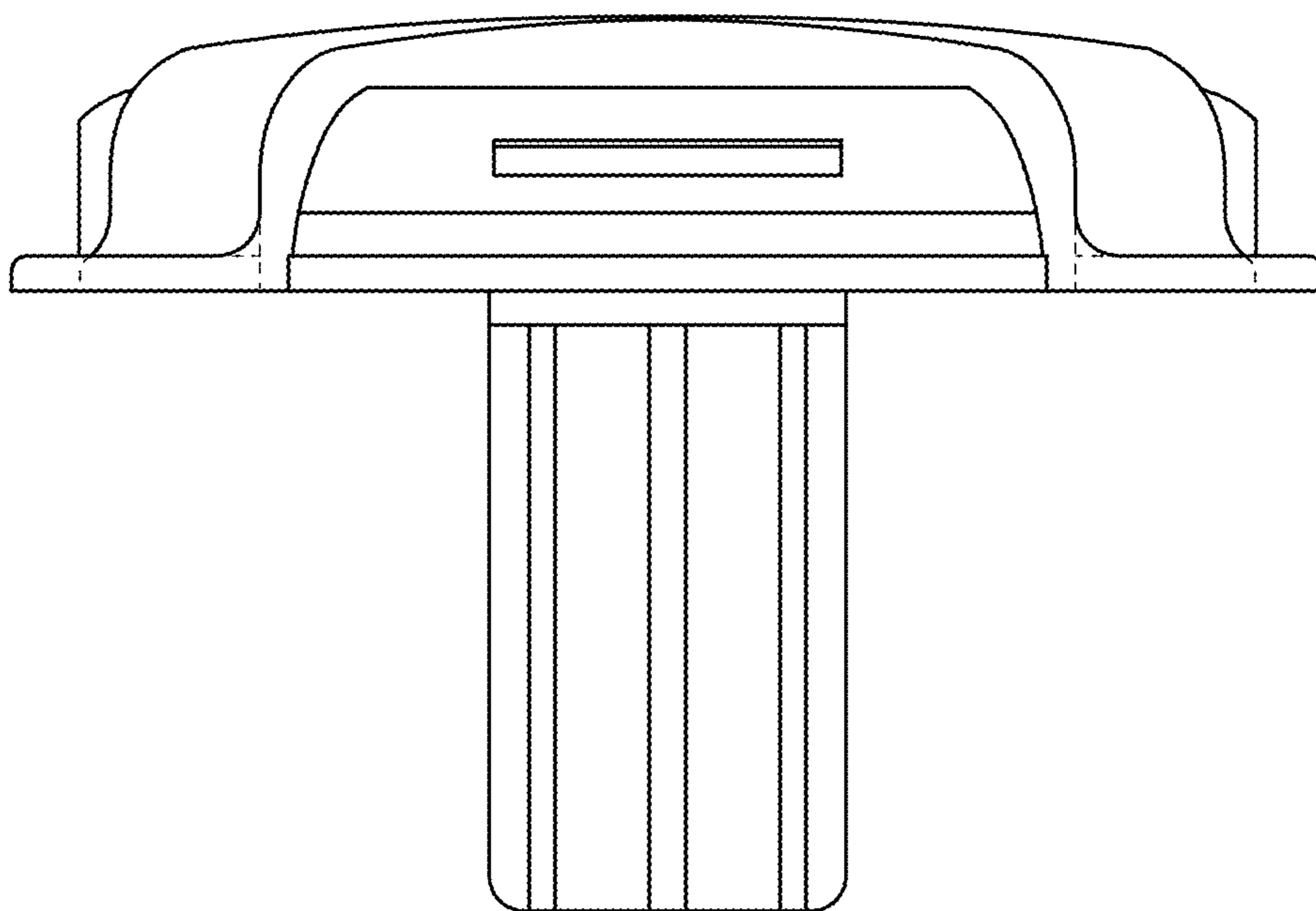


FIG. 5

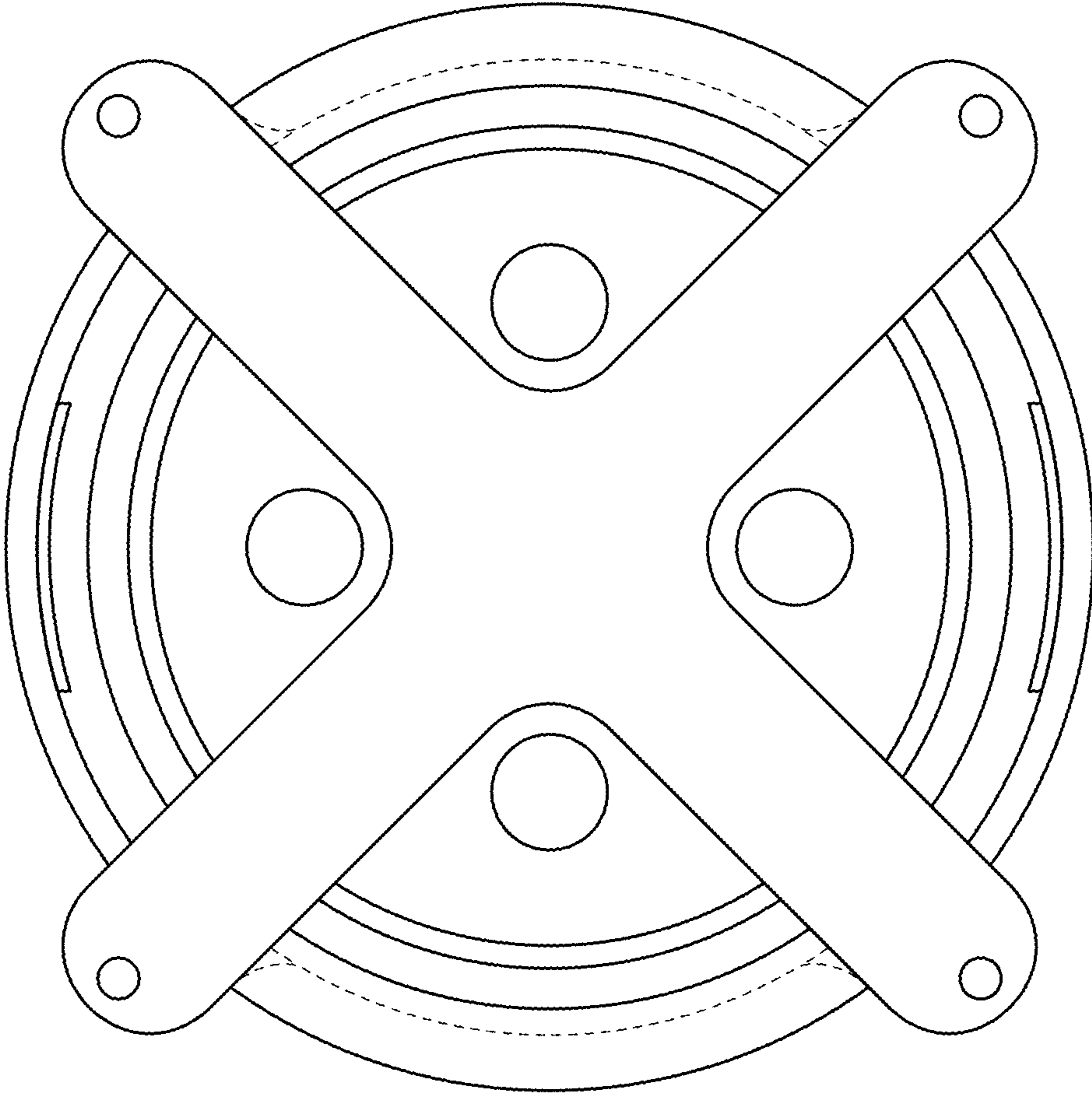


FIG. 6

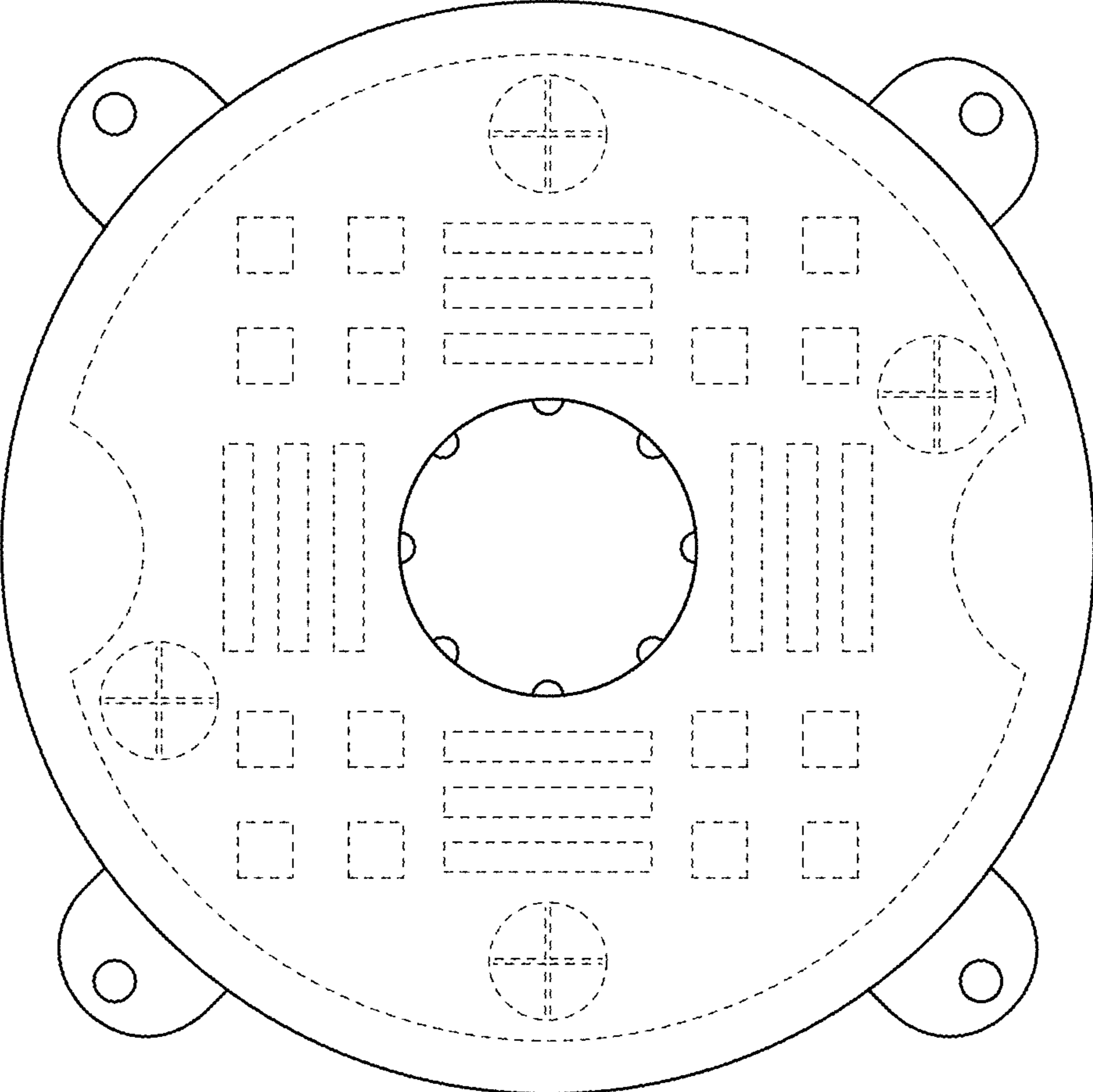


FIG. 7