



US00D969649S

(12) **United States Design Patent**
Miller

(10) **Patent No.:** **US D969,649 S**

(45) **Date of Patent:** **** Nov. 15, 2022**

(54) **SECURITY TAG**

(71) Applicant: **Sensormatic Electronics, LLC**, Boca Raton, FL (US)

(72) Inventor: **Channing Miller**, Boca Raton, FL (US)

(73) Assignee: **SENSORMATIC ELECTRONICS, LLC**, Boca Raton, FL (US)

(**) Term: **15 Years**

(21) Appl. No.: **29/837,122**

(22) Filed: **May 2, 2022**

Related U.S. Application Data

(63) Continuation of application No. 29/809,088, filed on Sep. 24, 2021, now Pat. No. Des. 952,494, which is a continuation of application No. 29/747,984, filed on Aug. 26, 2020.

(51) **LOC (13) Cl.** **10-06**

(52) **U.S. Cl.**
USPC **D10/106.9**

(58) **Field of Classification Search**
USPC D10/104.1, 2, 106.1, 106.9,
D10/106.91–106.94, 109.2, 121; D7/602;
D9/425, 445, 452
CPC G08B 13/2434; E05B 73/0017; Y10T
70/5004; Y10T 70/5009

See application file for complete search history.

(56) **References Cited**

U.S. PATENT DOCUMENTS

D279,252 S * 6/1985 Daenen D7/602
D630,901 S * 1/2011 Samartgis D7/602
D697,762 S * 1/2014 Carlson D7/602
D708,017 S * 7/2014 Carlson D7/602
D717,121 S * 11/2014 Carlson D7/602
D734,991 S * 7/2015 Carlson D7/602

D772,058 S * 11/2016 Urushidani D7/602
D797,552 S * 9/2017 Thurin D7/602
D829,545 S * 10/2018 Thurin D9/425

(Continued)

Primary Examiner — George D. Kirschbaum

Assistant Examiner — Lillian Windham

(74) *Attorney, Agent, or Firm* — ArentFox Schiff LLP

(57) **CLAIM**

The ornamental design for a security tag, as shown and described.

DESCRIPTION

FIG. 1 is a top perspective view of a security tag in a disengaged state showing my new design;

FIG. 2 is a bottom perspective view of the design shown in FIG. 1;

FIG. 3 is a left side view of the design shown in FIG. 1;

FIG. 4 is a right side view of the design shown in FIG. 1;

FIG. 5 is a front view of the design shown in FIG. 1;

FIG. 6 is a rear view of the design shown in FIG. 1;

FIG. 7 is a top plan view of the design shown in FIG. 1;

FIG. 8 is a bottom plan view of the design shown in FIG. 1;

FIG. 9 is a top perspective view of a security tag in an engaged state showing my new design;

FIG. 10 is a bottom perspective view of the design shown in FIG. 9;

FIG. 11 is a left side view of the design shown in FIG. 9;

FIG. 12 is a right side view of the design shown in FIG. 9;

FIG. 13 is a front view of the design shown in FIG. 9;

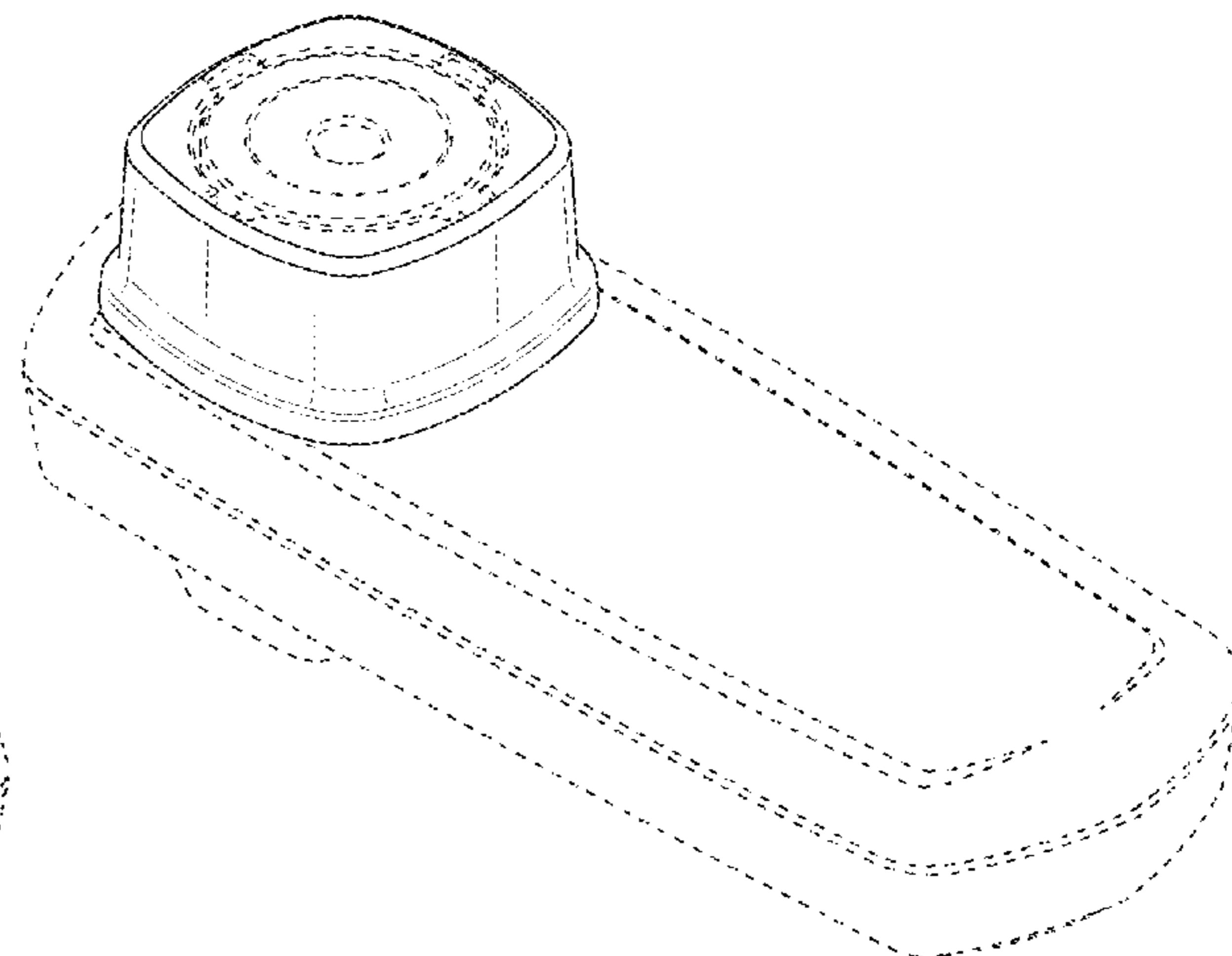
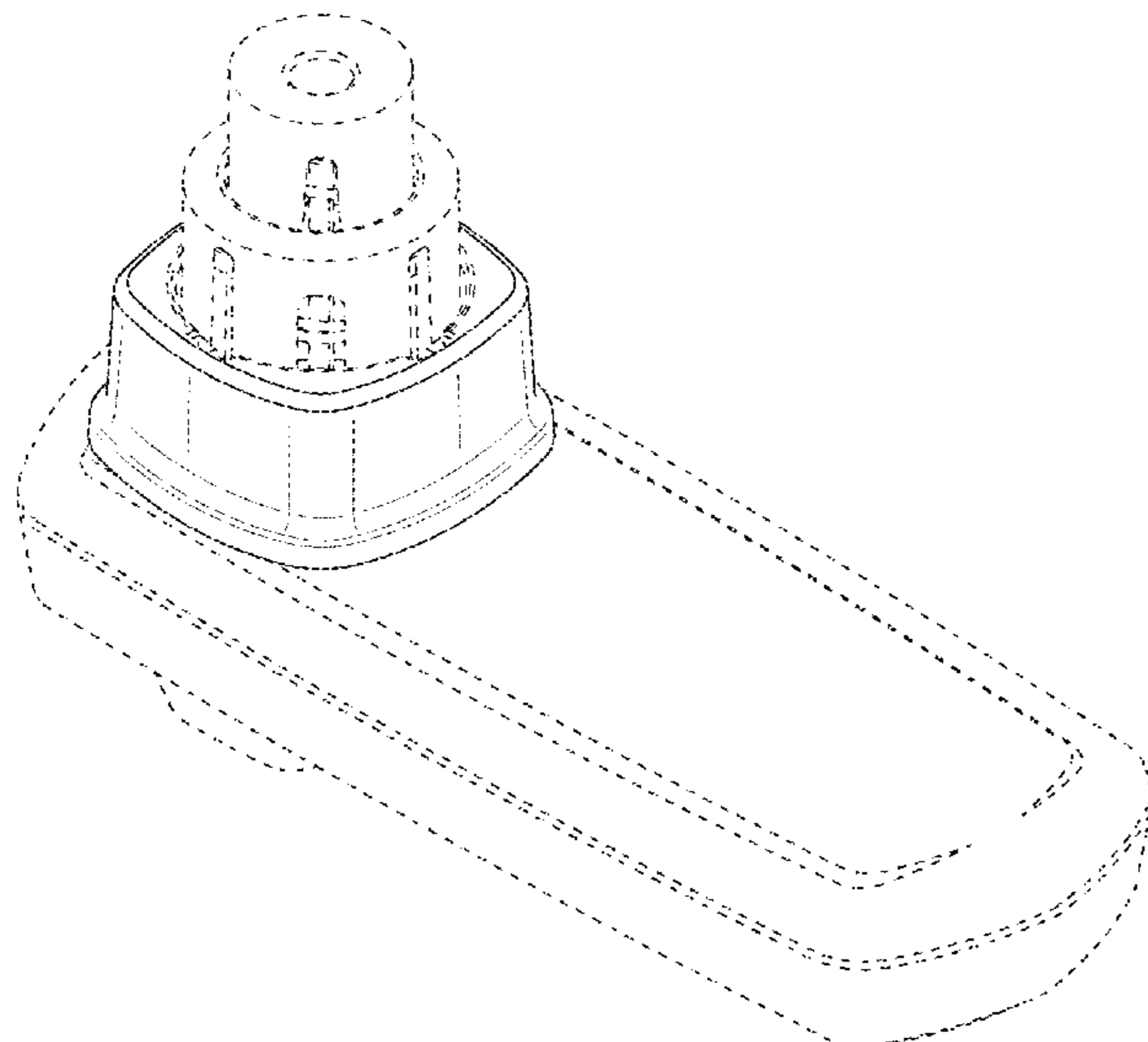
FIG. 14 is a rear view of the design shown in FIG. 9;

FIG. 15 is a top plan view of the design shown in FIG. 9; and,

FIG. 16 is a bottom plan view of the design shown in FIG. 9.

The broken lines shown in the figures are included for the purpose of illustrating portions of the security tag and form no part of the claimed design.

1 Claim, 16 Drawing Sheets



(56)

References Cited

U.S. PATENT DOCUMENTS

D878,872 S * 3/2020 Cheng D7/602
11,156,022 B2 * 10/2021 Claeys G08B 13/2434
D941,142 S * 1/2022 Lau D9/425
2008/0303670 A1 * 12/2008 Seidel G08B 13/2448
340/572.1
2012/0304709 A1 * 12/2012 Mazzucchelli E05B 73/0017
70/19
2021/0087857 A1 * 3/2021 Claeys G08B 13/2434
2022/0042351 A1 * 2/2022 Claeys E05B 73/0017

* cited by examiner

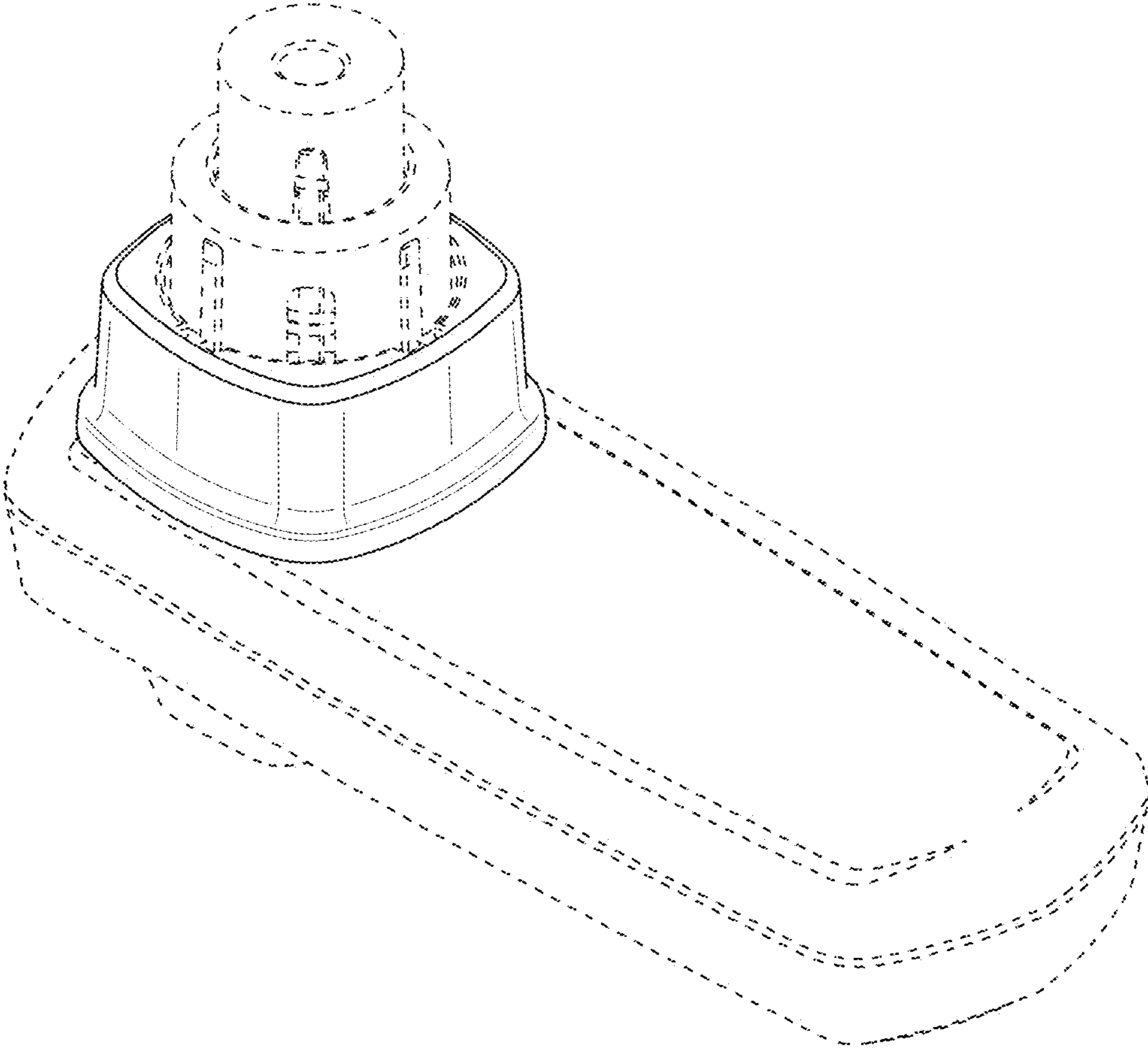


FIG. 1

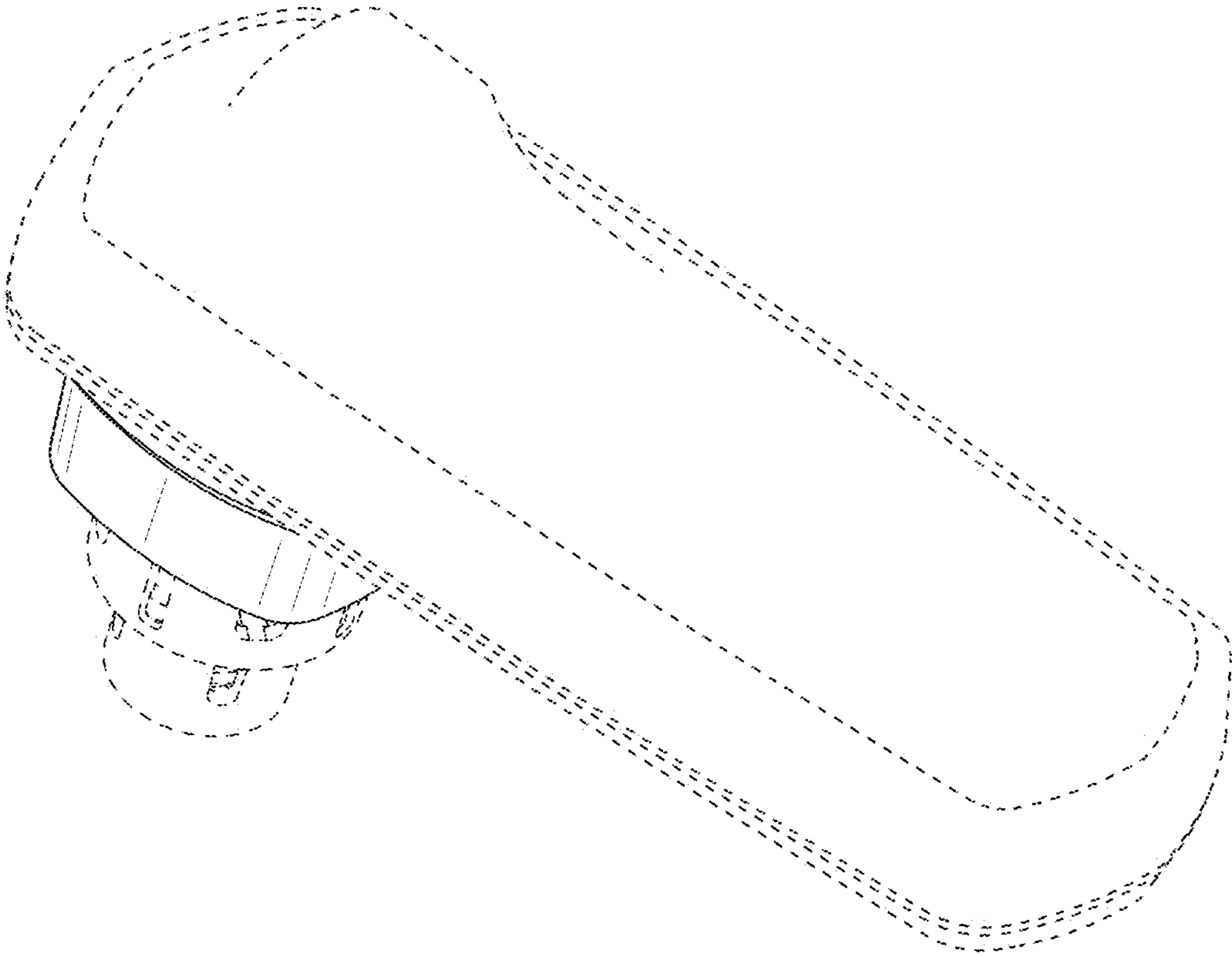


FIG. 2

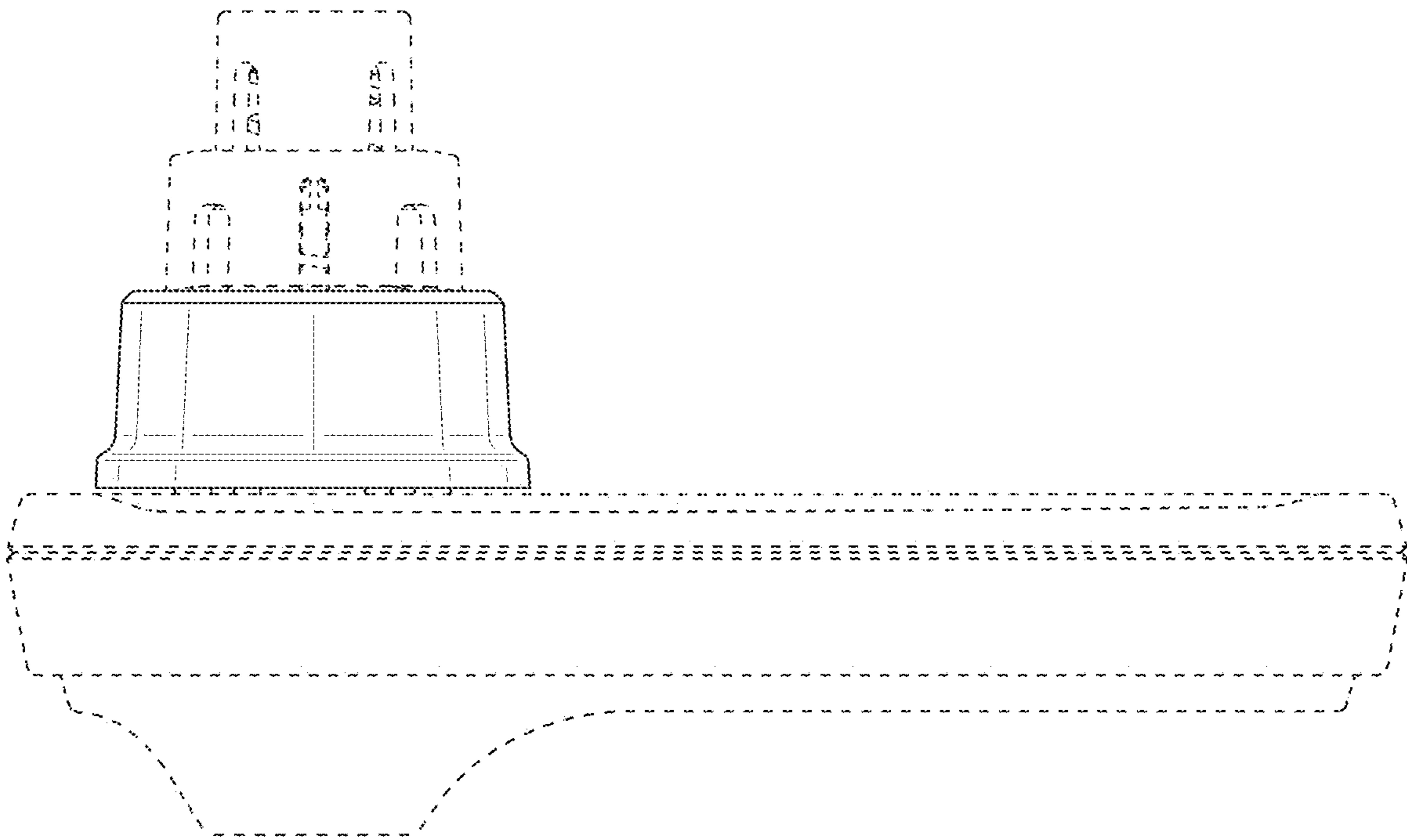


FIG. 3

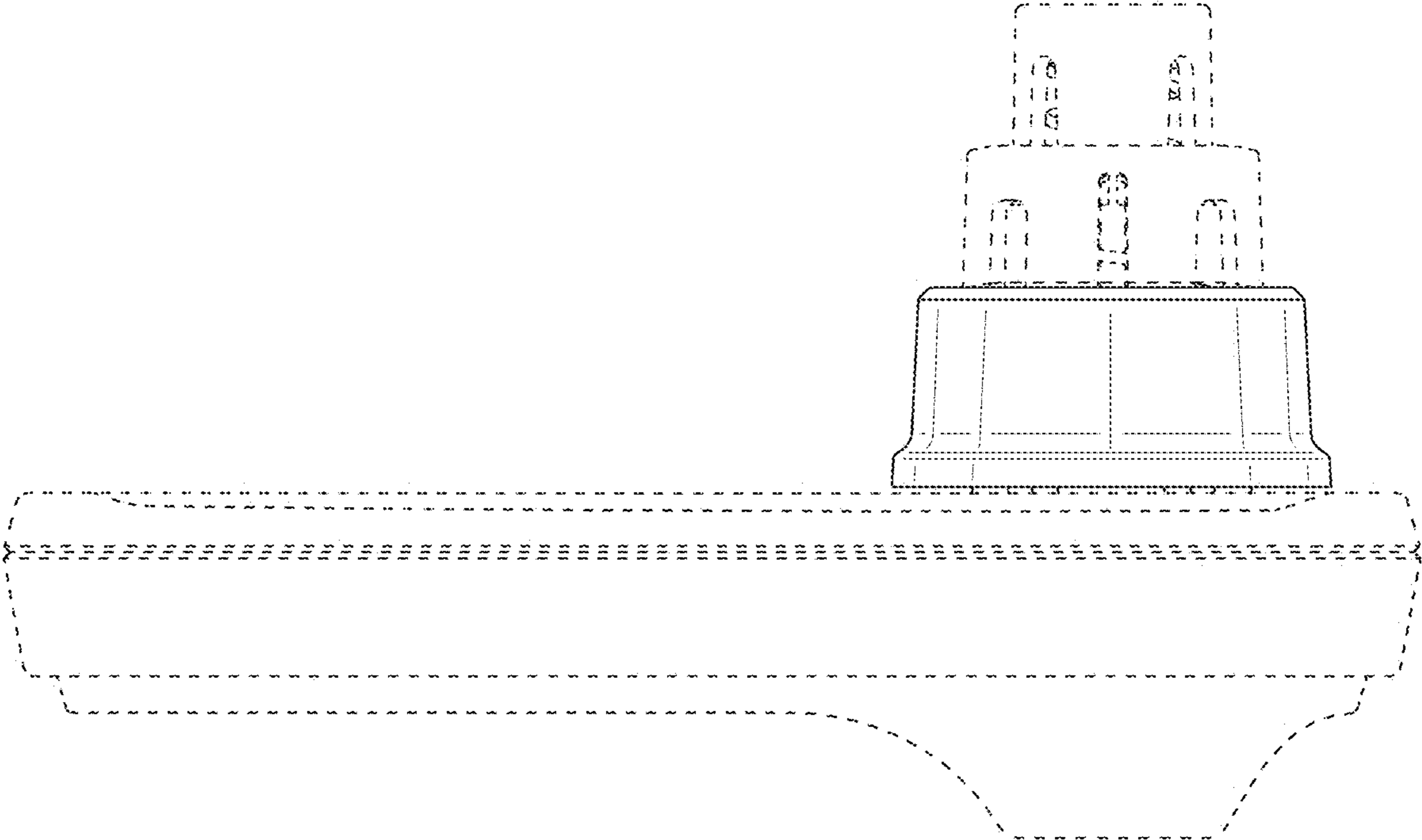


FIG. 4

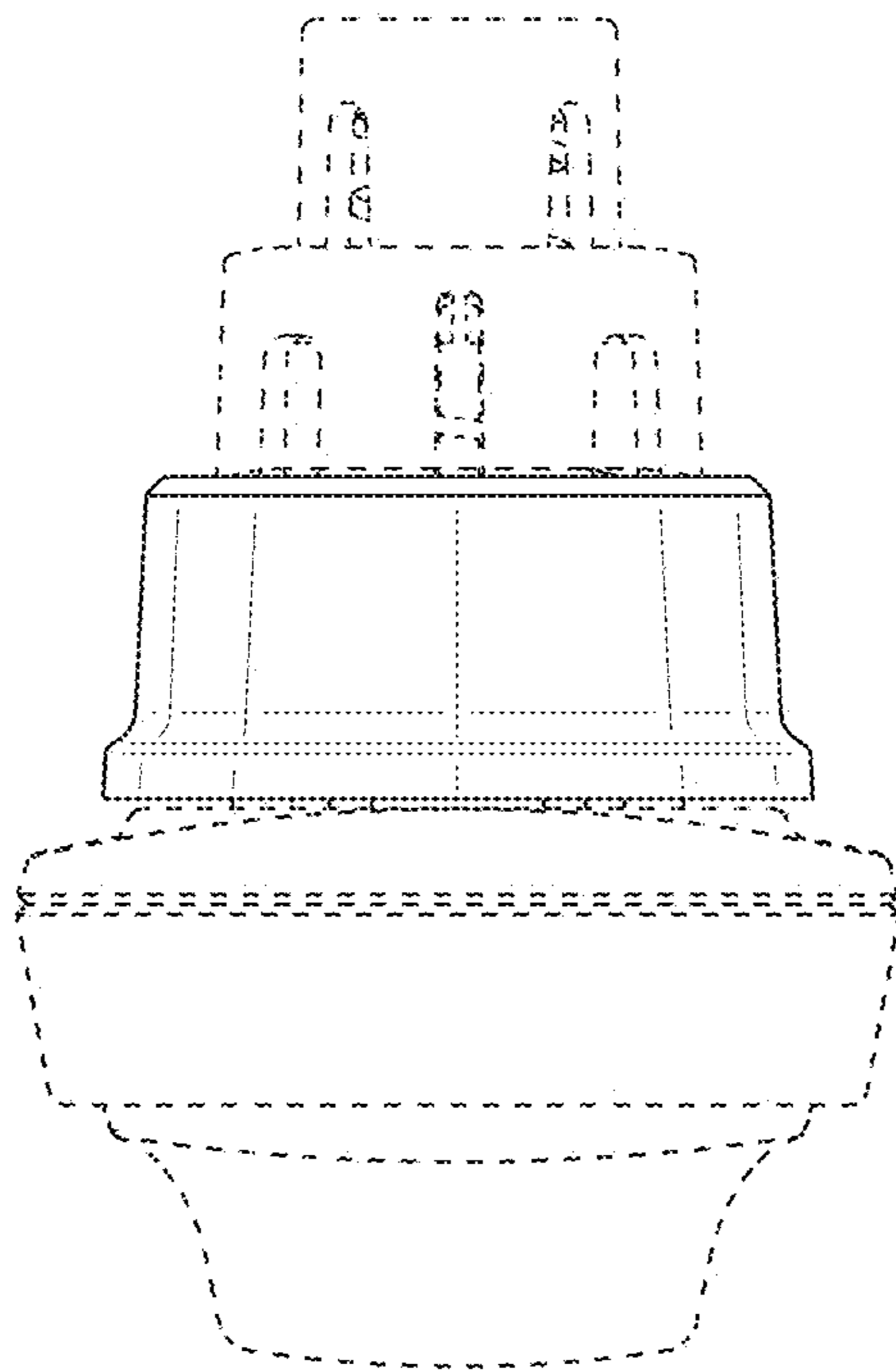


FIG. 5

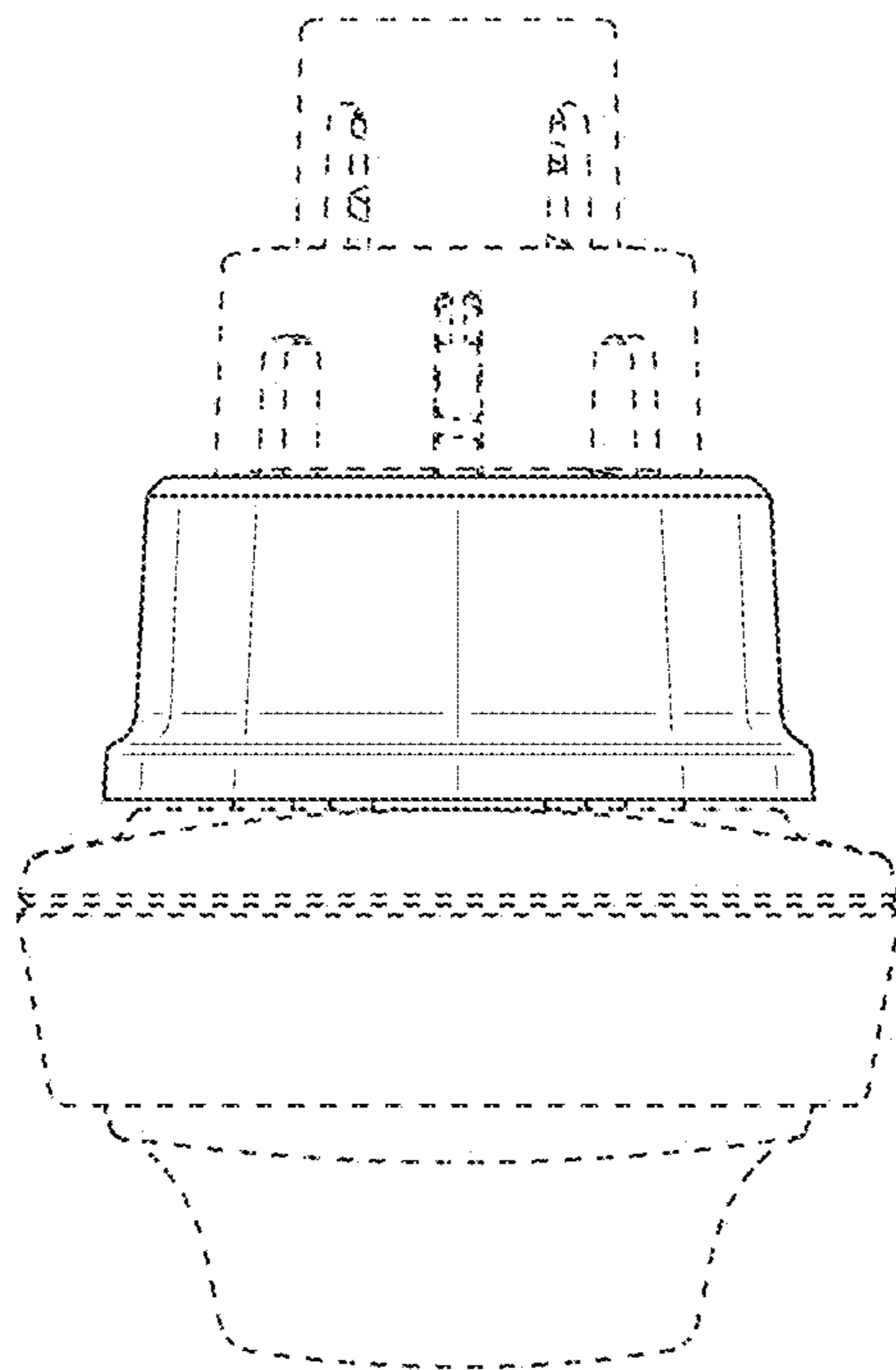


FIG. 6

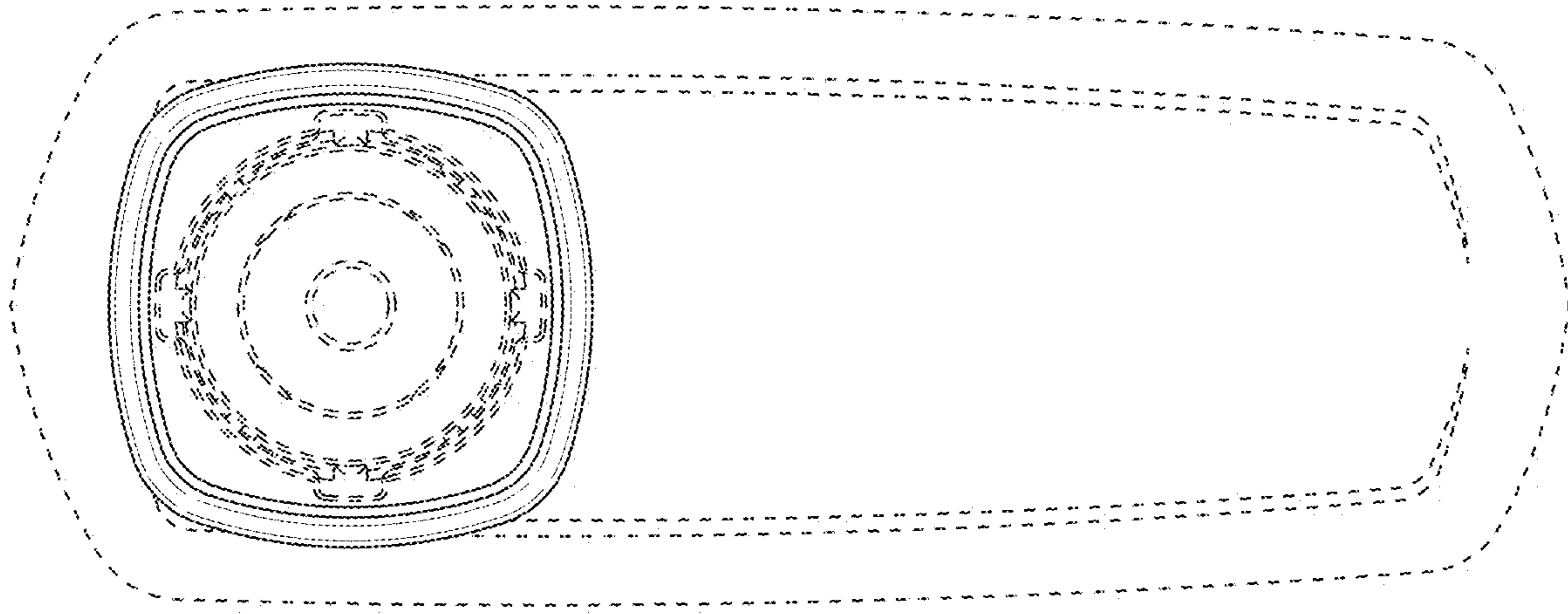


FIG. 7

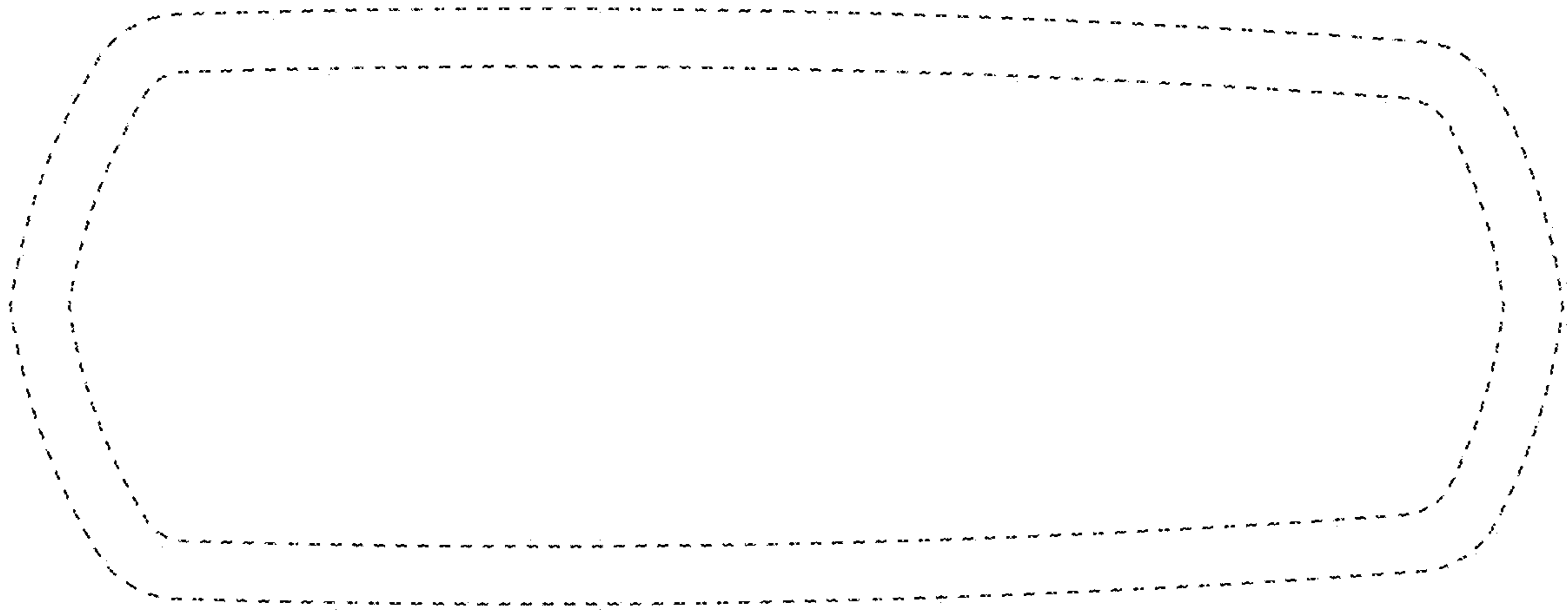


FIG. 8

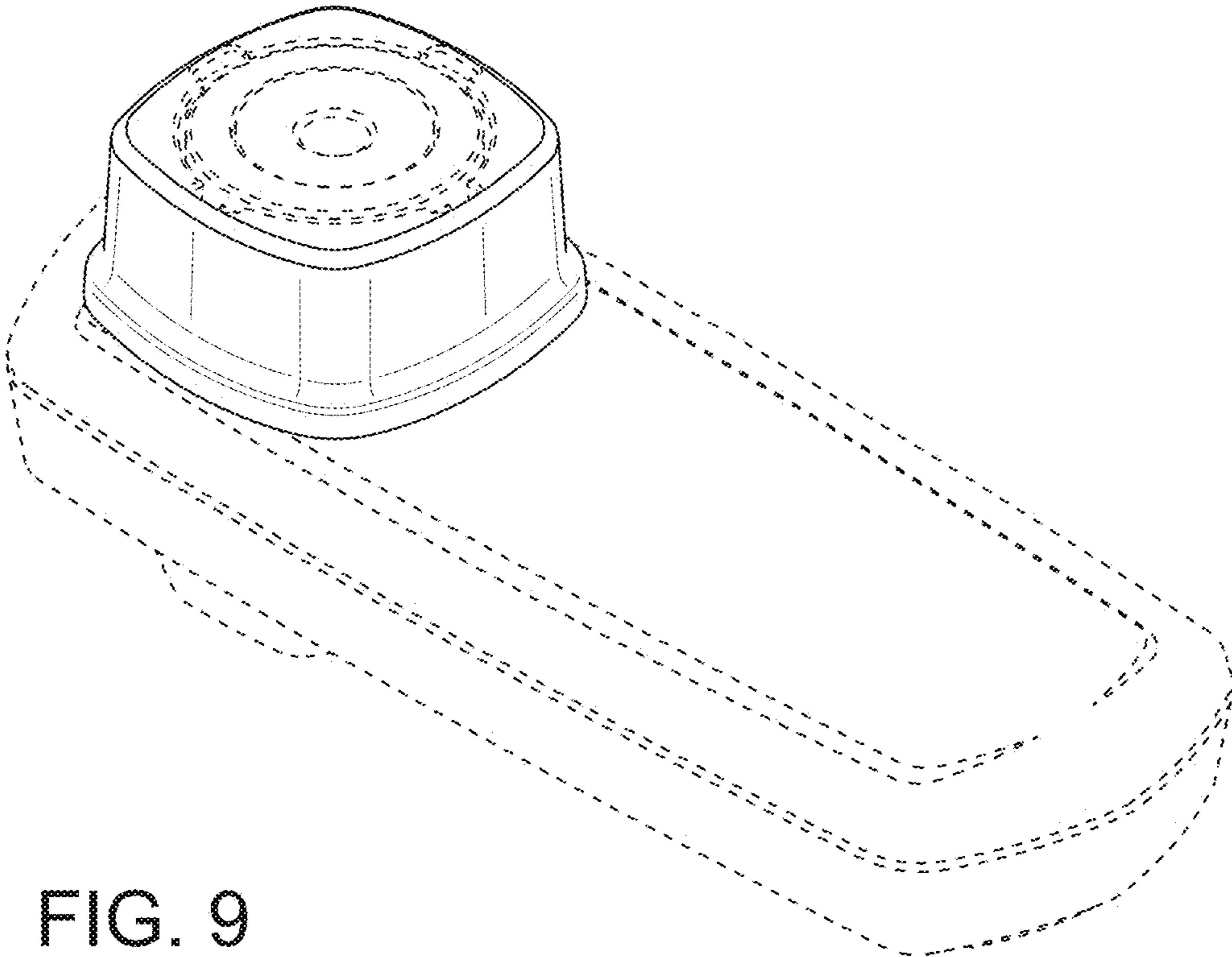


FIG. 9

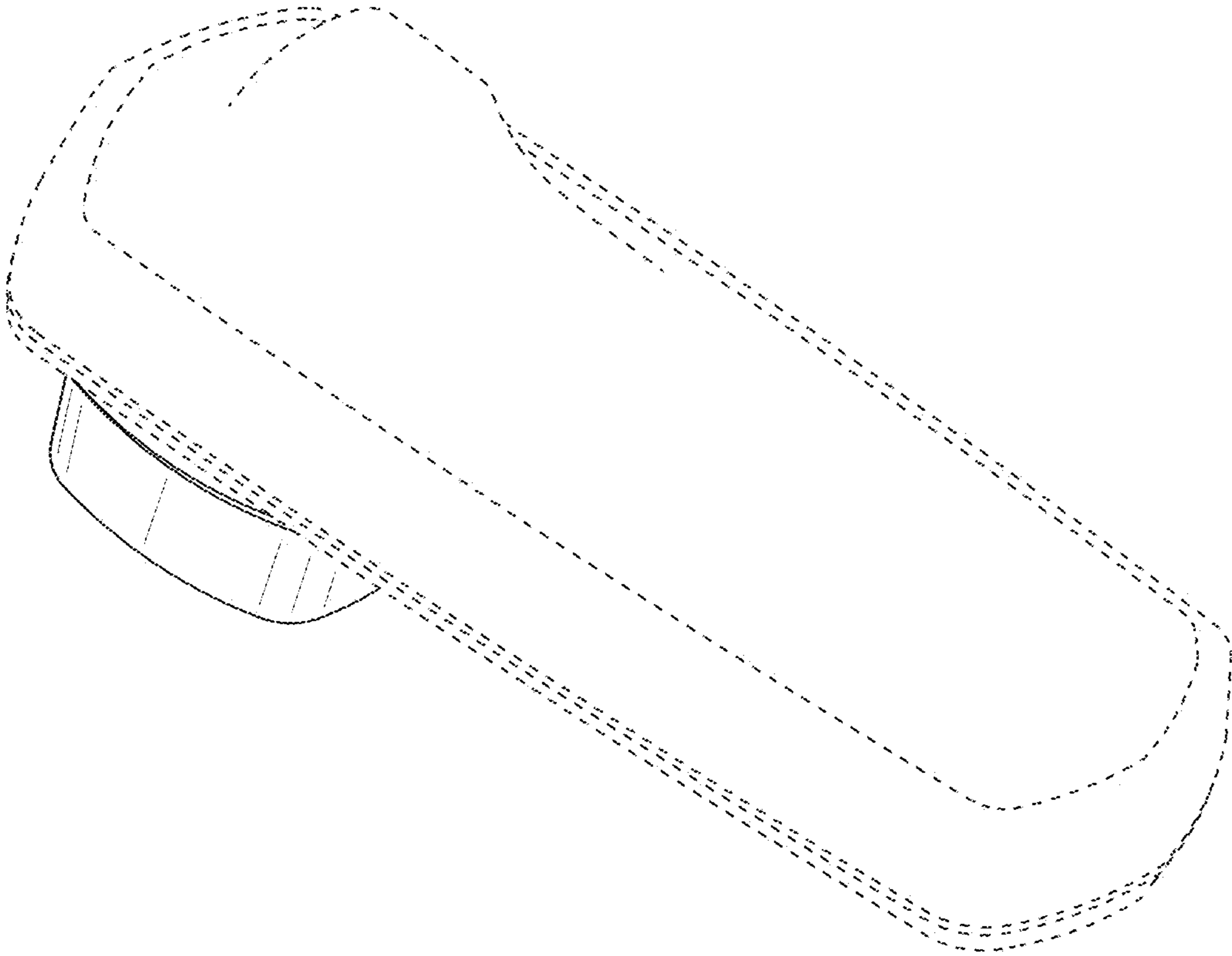


FIG. 10

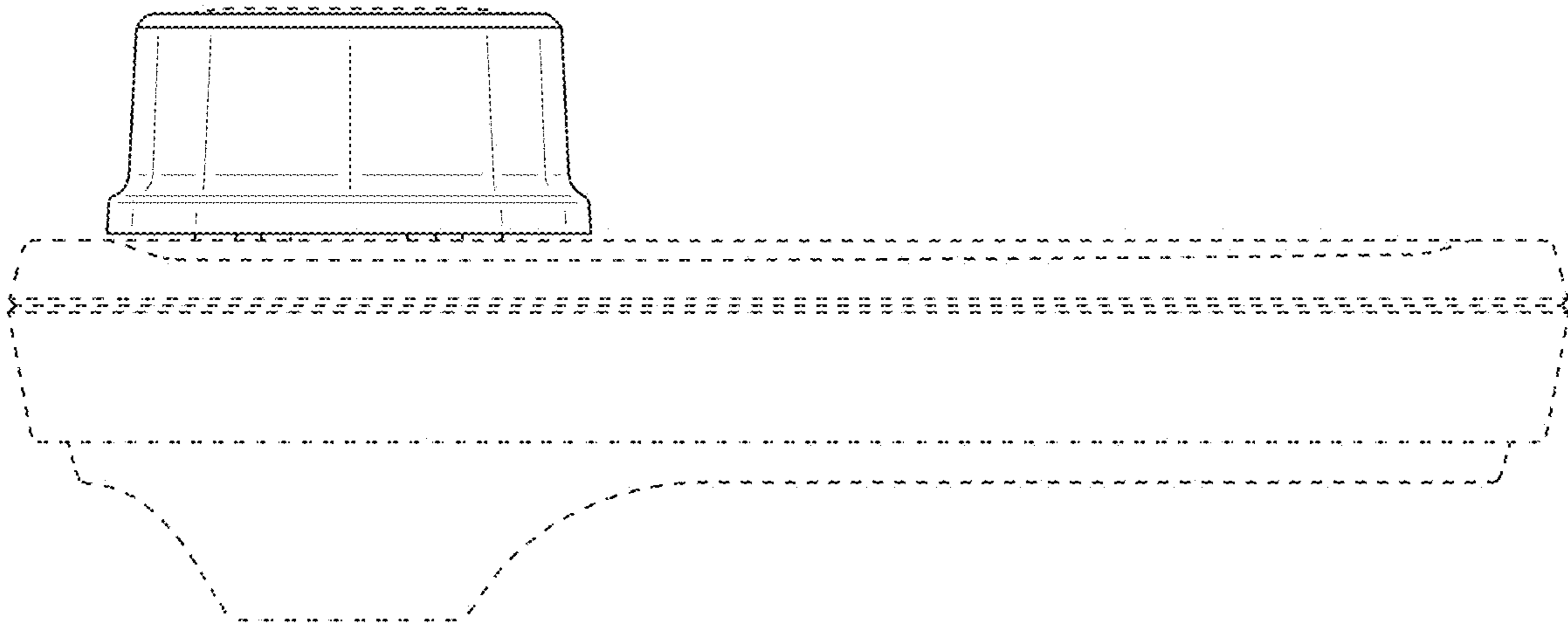


FIG. 11

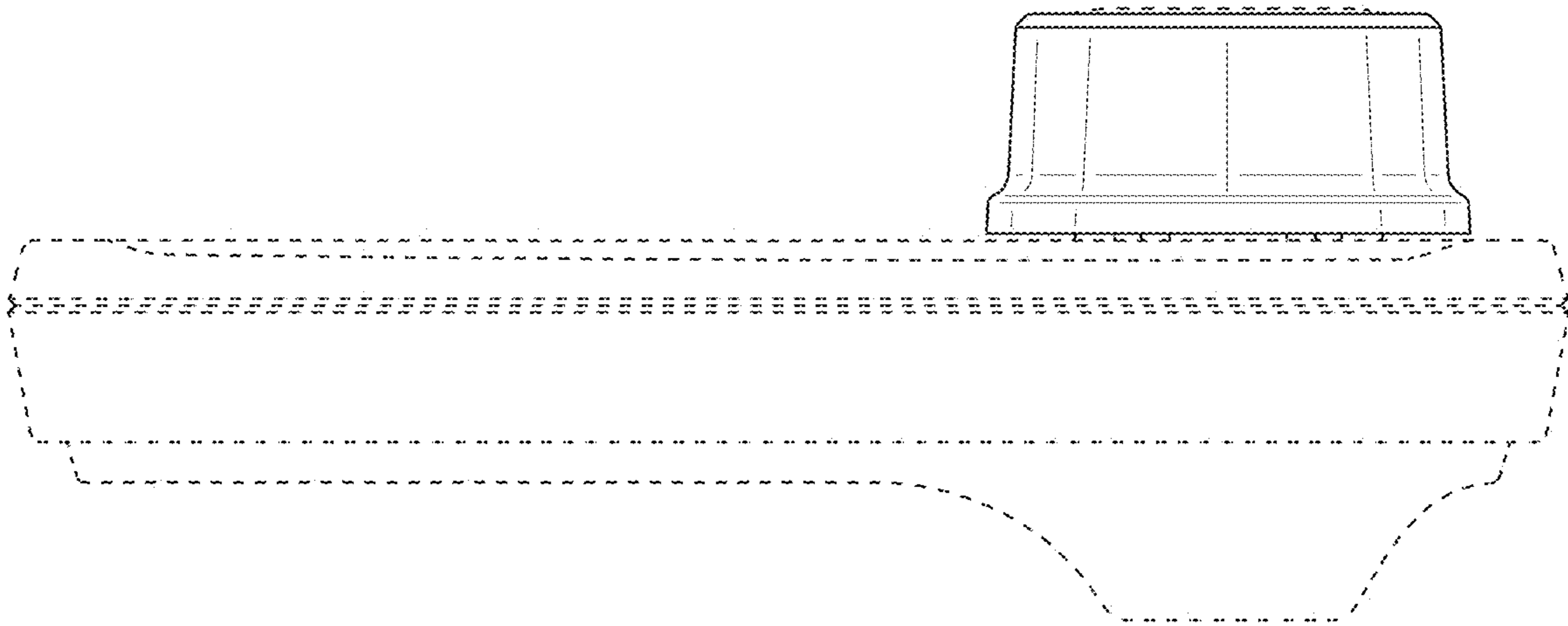


FIG. 12

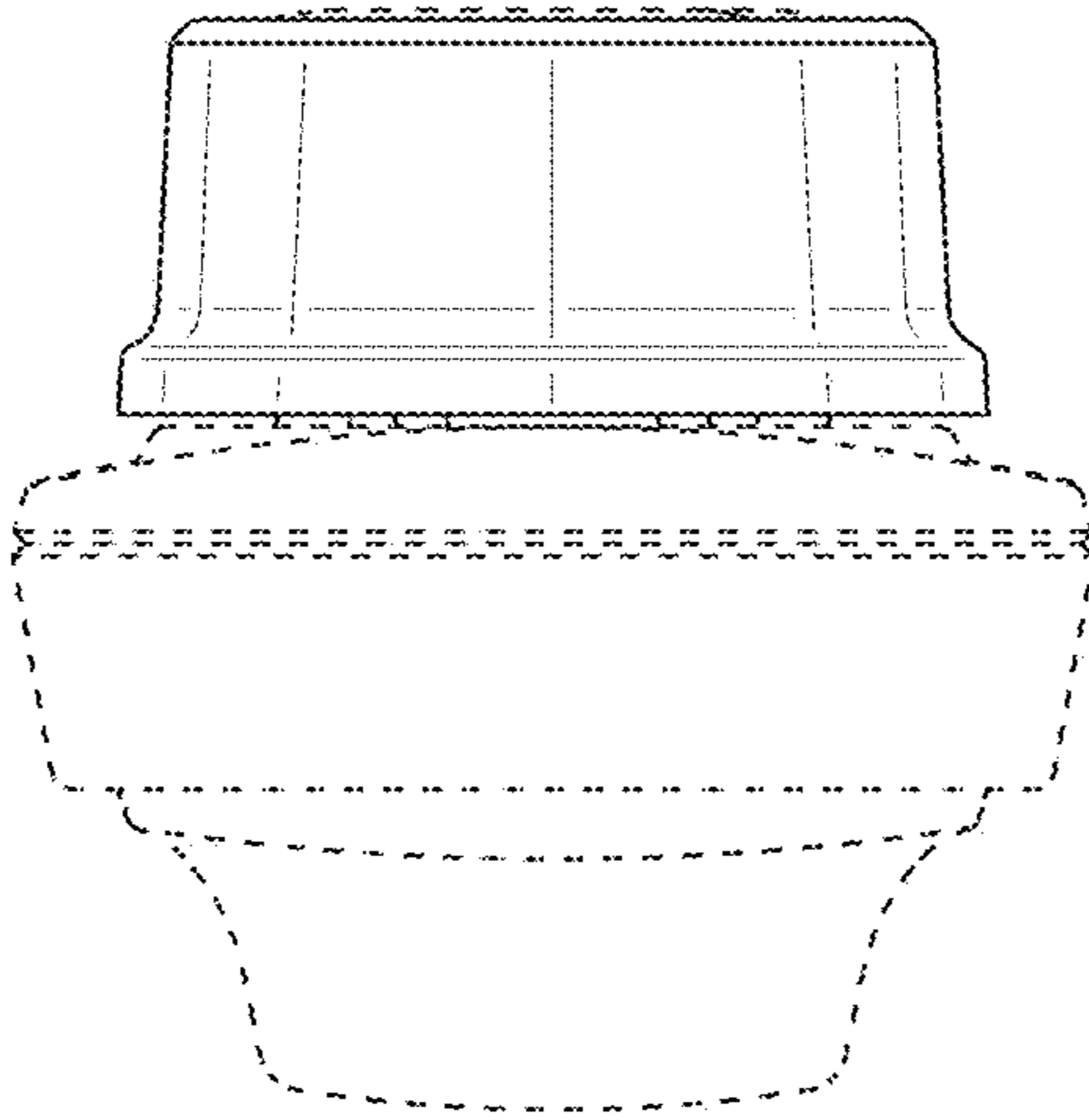


FIG. 13

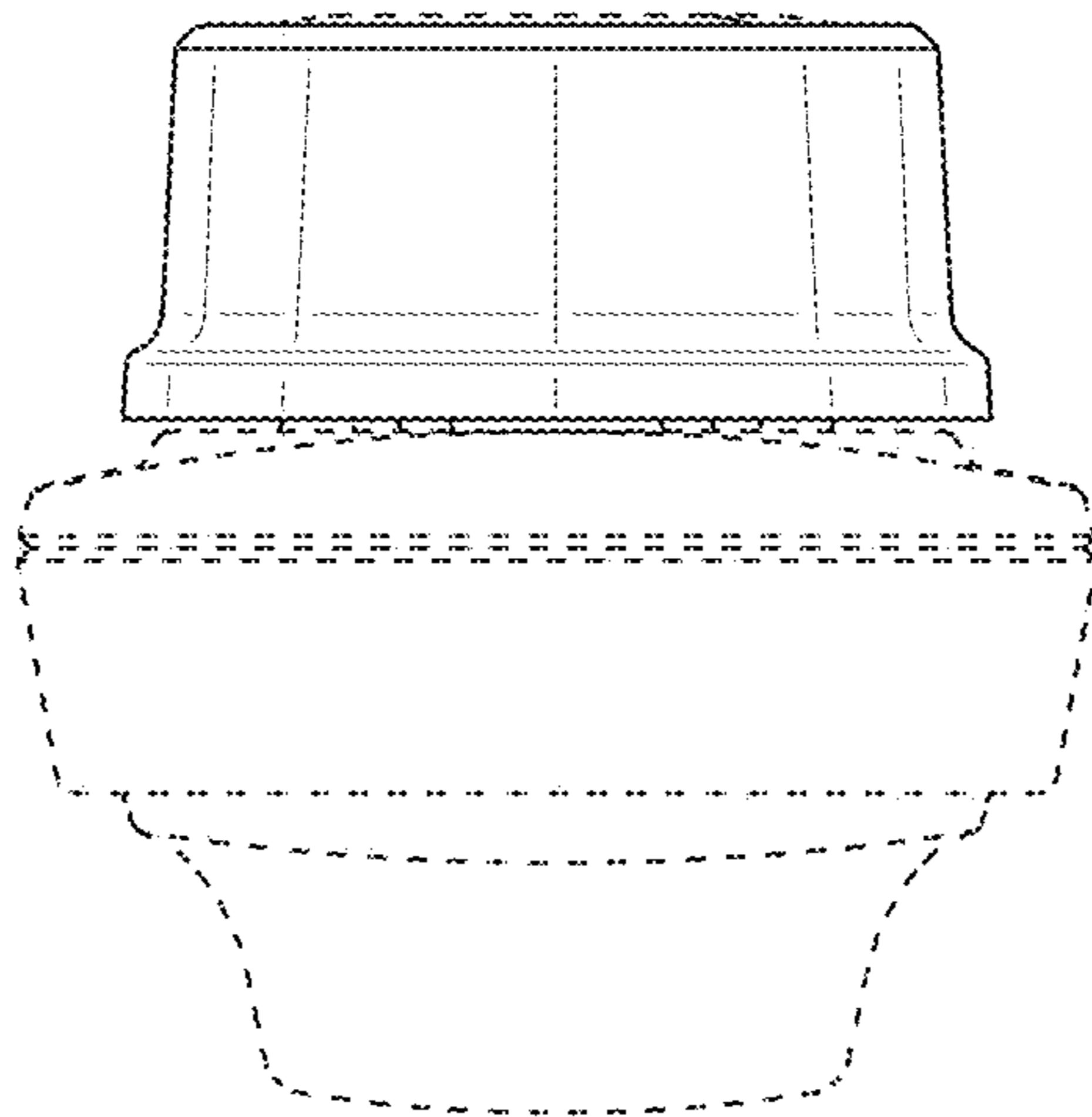


FIG. 14

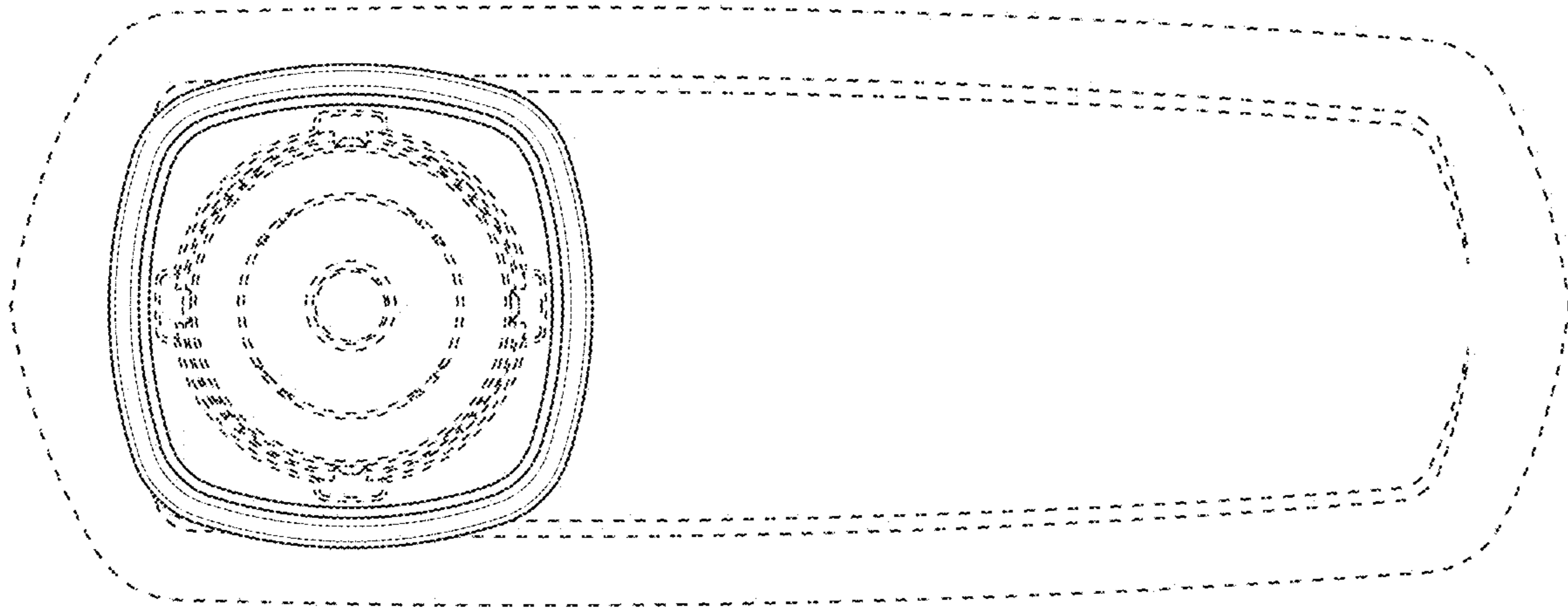


FIG. 15

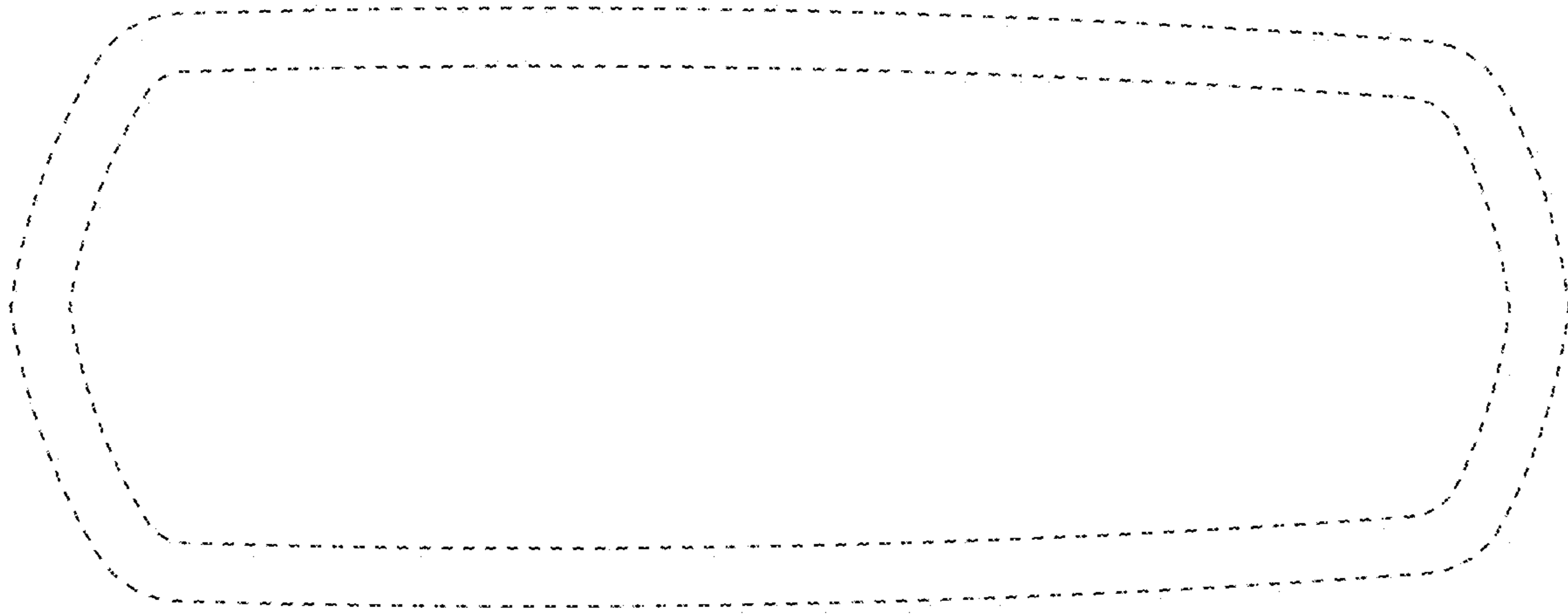


FIG. 16