



US00D969647S

(12) **United States Design Patent**
Maldonado et al.

(10) **Patent No.:** **US D969,647 S**

(45) **Date of Patent:** **** Nov. 15, 2022**

(54) **AIRSPPEED DEVICE**

D608,227 S * 1/2010 Charleux D10/59
D613,628 S * 4/2010 Murphy D10/59
D701,129 S * 3/2014 Laurino D10/59

(Continued)

(71) Applicant: **Viu Insight Inc.**, Mason, OH (US)

(72) Inventors: **Hugo I. Maldonado**, Mason, OH (US);
Jeffrey M. Stephens, Cincinnati, OH (US)

FOREIGN PATENT DOCUMENTS

CN 304583008 * 9/2017
CN 304605098 * 10/2017

(Continued)

(73) Assignee: **Viu Insight Inc.**, Mason, OH (US)

(**) Term: **15 Years**

OTHER PUBLICATIONS

(21) Appl. No.: **29/735,394**

RZ Store,Digital Wind Speed Meter anemometer, Date first available Oct. 23, 2019, [online]retrieved Nov. 24, 2021 ,available from https://www.amazon.com/dp/B07ZJ38ZMX/ref=sspa_dk_detail_9?psc=1&pd_rd_i=B07ZJ38ZMX&pd_rd_w=1wJPY&pf_rd_p=9fd3ea7c-b77c-42ac-b43b-c872d3f37c38&pd_rd_wg (Year: 2019).*

(Continued)

(22) Filed: **May 20, 2020**

(51) **LOC (13) Cl.** **10-04**

(52) **U.S. Cl.**
USPC **D10/98**; D10/59

(58) **Field of Classification Search**
USPC D10/49-56, 81, 103, 96-98, 65, 119.2, D10/59

CPC G08B 5/36; G08B 21/182; H05K 1/181; H05K 5/0017; H05K 2201/10106; H05K 2201/10128; F24F 11/30; F24F 11/523; F24F 11/49; F24F 2110/10; F24F 11/88; G05D 23/19; H02G 3/10; H02G 3/14; H02K 7/183; H02K 11/0094; H02S 10/12; F03D 9/11; F03D 9/25; F03D 7/0204; F03D 3/065; G01P 5/00; G01P 5/07; G01P 5/001; G01P 13/025; G01P 1/122; G01P 1/06; F05B 2240/216; Y02E 10/74

See application file for complete search history.

Primary Examiner — Keli L Hill

Assistant Examiner — Sara S Sahneh

(74) *Attorney, Agent, or Firm* — Frost Brown Todd LLC

(57) **CLAIM**

The ornamental design for an airspeed device, as shown and described.

DESCRIPTION

FIG. 1 is a top front perspective view of an airspeed device showing the new design.

FIG. 2 is a front view thereof.

FIG. 3 is a rear view thereof.

FIG. 4 is a side view thereof.

FIG. 5 is a side view thereof, opposite of the side view of FIG. 4.

FIG. 6 is a top view thereof; and,

FIG. 7 is a bottom view thereof.

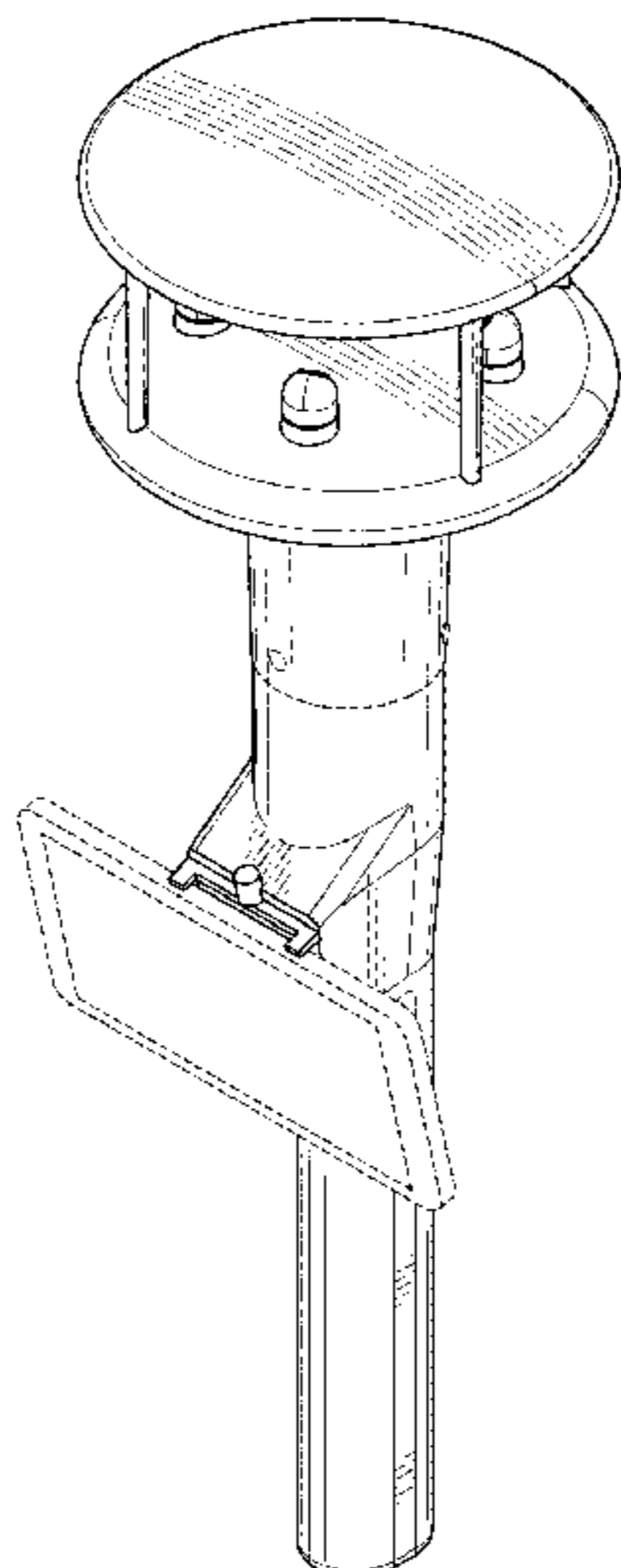
The evenly spaced broken lines in the drawings depict portions of the airspeed device that form no part of the claimed design.

(56) **References Cited**

U.S. PATENT DOCUMENTS

D366,841 S * 2/1996 Blittersdorf D10/59
5,639,963 A * 6/1997 Sustare, Jr. G01P 5/07
73/170.07
6,158,278 A * 12/2000 Klinefelter F03D 3/065
73/170.05
D468,650 S * 1/2003 Hayashi D10/59

1 Claim, 6 Drawing Sheets



(56)

References Cited

U.S. PATENT DOCUMENTS

9,746,488 B2 * 8/2017 Kriwan G01P 13/02
 D896,663 S * 9/2020 Chapman D10/65
 D896,664 S * 9/2020 Chapman D10/65
 D896,666 S * 9/2020 Chapman D10/65
 D896,668 S * 9/2020 Chapman D10/65
 2006/0205554 A1 * 9/2006 Nohara F03D 7/0204
 475/179
 2010/0283254 A1 * 11/2010 Richter F03D 9/17
 290/55
 2010/0312498 A1 12/2010 Hamann et al.
 2013/0028742 A1 * 1/2013 Watanabe F03D 3/005
 416/219 R
 2014/0153226 A1 * 6/2014 Hoang F03D 9/00
 362/183
 2014/0208869 A1 7/2014 Secor
 2015/0352585 A1 12/2015 Larson et al.
 2017/0205261 A1 7/2017 Yogo et al.
 2021/0246869 A1 * 8/2021 Suzuki H02K 7/183
 2021/0364545 A1 * 11/2021 Maldonado G01P 1/06

FOREIGN PATENT DOCUMENTS

CN 304868616 * 3/2018
 CN 304967052 * 8/2018
 CN 305773135 * 7/2019
 CN 301544723 * 10/2020
 WO WO 2004/063675 7/2004
 WO WO 2020/005431 1/2020

OTHER PUBLICATIONS

HoldPeak Store, Digital Anemometer, Date first available 2021, [online]retrieved Nov. 24, 2021 ,available from [https://www.amazon.com/HOLDPEAK-Anemometer-Measuring-Temperature-Backlight/dp/B00ZHKWCP4/ref=bx_dp_ol8cywan_5/134-5564337-2927451?](https://www.amazon.com/HOLDPEAK-Anemometer-Measuring-Temperature-Backlight/dp/B00ZHKWCP4/ref=bx_dp_ol8cywan_5/134-5564337-2927451?pd_rd_w=prRji&pf_rd_p=862b4b8b-7a18-40e3-a54d-9d43f8d57f928pf_rd_)

pd_rd_w=prRji&pf_rd_p=862b4b8b-7a18-40e3-a54d-9d43f8d57f928pf_rd_ (Year: 2021).*

Acogedor, Handheld Anemometer, Date first available Jun. 26, 2019, [online]retrieved Nov. 24, 2021 ,available from https://www.amazon.com/dp/B07TL73S8B/ref=sspa_dk_detail_3?psc=1&pd_rd_w=jdwTJ&pf_rd_p=9fd3ea7c-b77c-42ac-b43b-c872d3f37c38&pd_rd_wg=slw9P&pf_rd_r=0TCRC9ZXQ21X7R0472PY&pd (Year: 2019).*

Kestrel Store, Racing Weather Meter, Date first available Oct. 7, 2018, [online]retrieved Nov. 24, 2021,available from https://www.amazon.com/dp/B017AF195M/ref=sspa_dk_detail_8?pd_rd_i=B017AF195M&pd_rd_w=Wucmi&pf_rd_p=9fd3ea7c-b77c-42ac-b43b-c872d3f37c38&pd_rd_wg=P78Un&pf_rd_r=75SF4375PE8P5EW3 (Year: 2018).*

Bike Phone Mount—Aluminum Bicycle & Motorcycle Phone Holder, by DEYI, available Feb. 2019 on Amazon.com, downloaded from https://www.amazon.com/gp/product/B07P6JV84D/ref=ppx_yo_dt_b_asin_title_o06_s00?ie=UTF8&th=1, 8 pgs.

Motorola, moto g⁷ play, cellular phone, specifications, 2020, downloaded from <https://www.boostmobile.com/phones/moto-g7-play.html>, 3 pgs.

AIRSTAT PDA, Portable Acoustic Anemometer, by OMEGA Productive Services, Inc. 1 pg.

“WindSonic Ultrasonic Wind Sensor,” GILL Instruments: meteorological technology, Technical Information, 2000, Webpage downloaded from <http://gillinstruments.com/products/anemometer/windsonic.htm>, 7 pgs.

Windsonic, Wind Speed & Direction Sensor, GILL Instruments, Datasheet, 2019, downloaded from <http://gillinstruments.com/data/datasheets/windsonic-1405-027-iss7.pdf>, 2 pgs.

Windsonic, SDI-12, Wind Speed & Direction Sensor, GILL Instruments, Datasheet, 2019, downloaded from <http://gillinstruments.com/data/datasheets/Windsonic-SDI-12%20Iss6.pdf>, 2 pgs.

International Search Report and Written Opinion dated Feb. 25, 2021 for International Application No. PCT/US2020/062574, 19 pages.

U.S. Appl. No. 17/106,982, entitled Air Measuring Device and Methods of Use, filed Nov. 30, 2020.

* cited by examiner

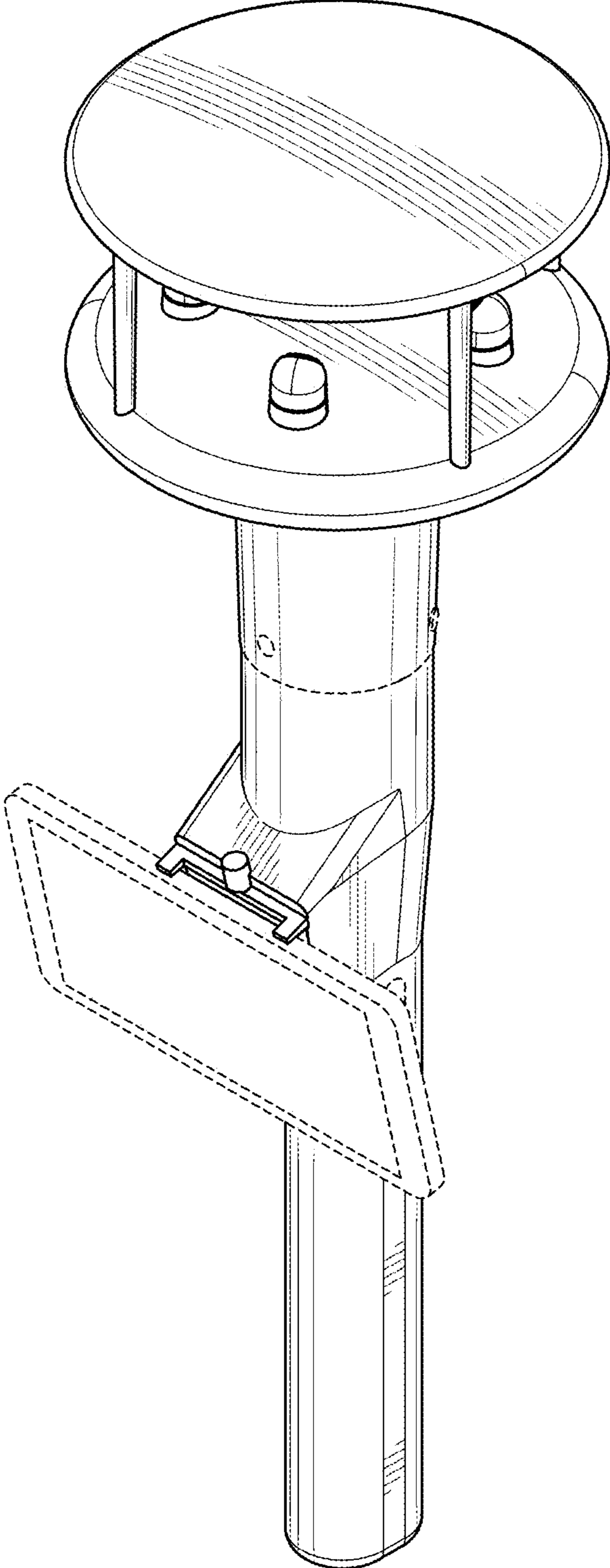


FIG. 1

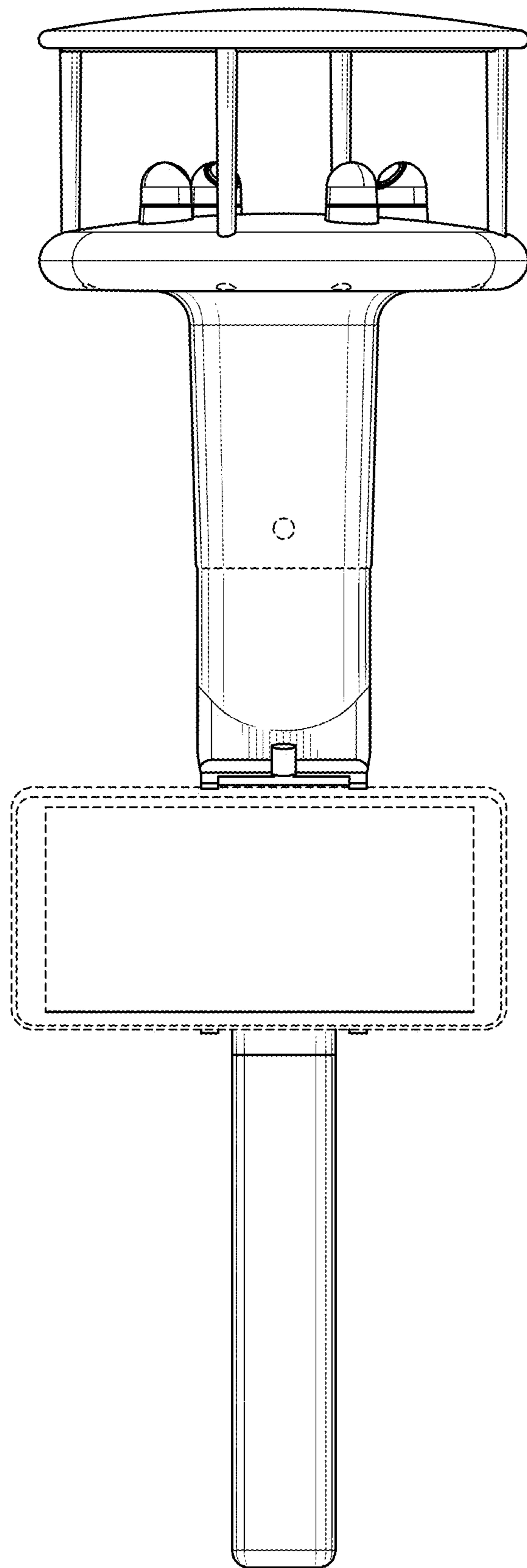


FIG. 2

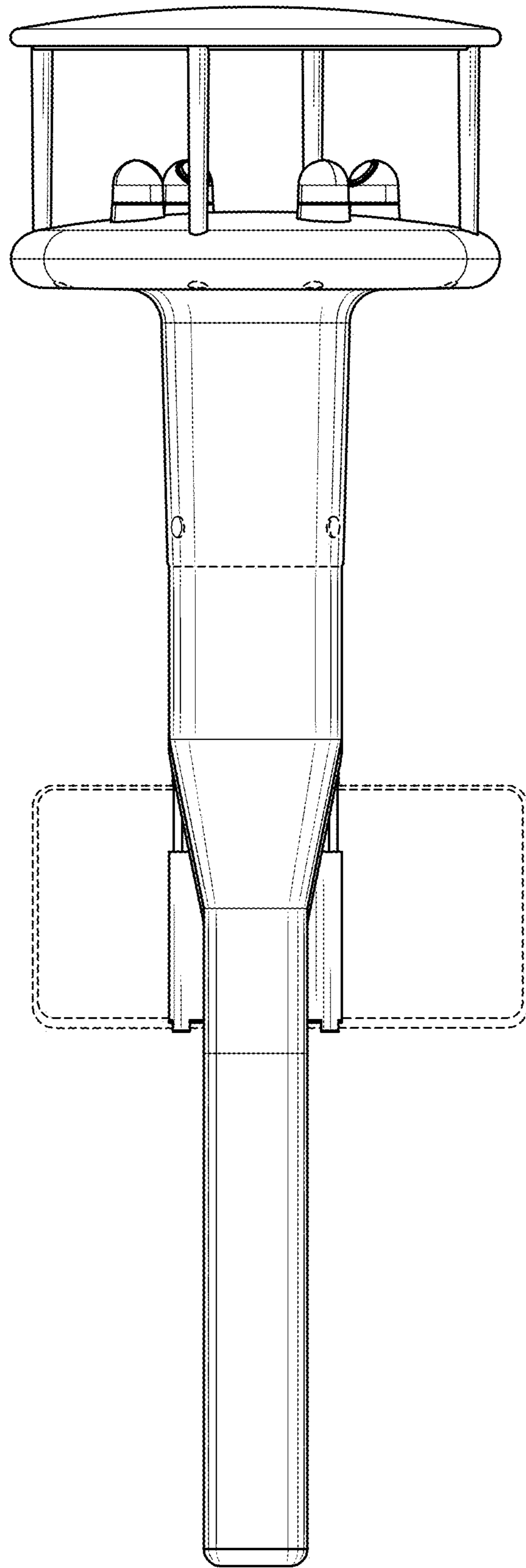


FIG. 3

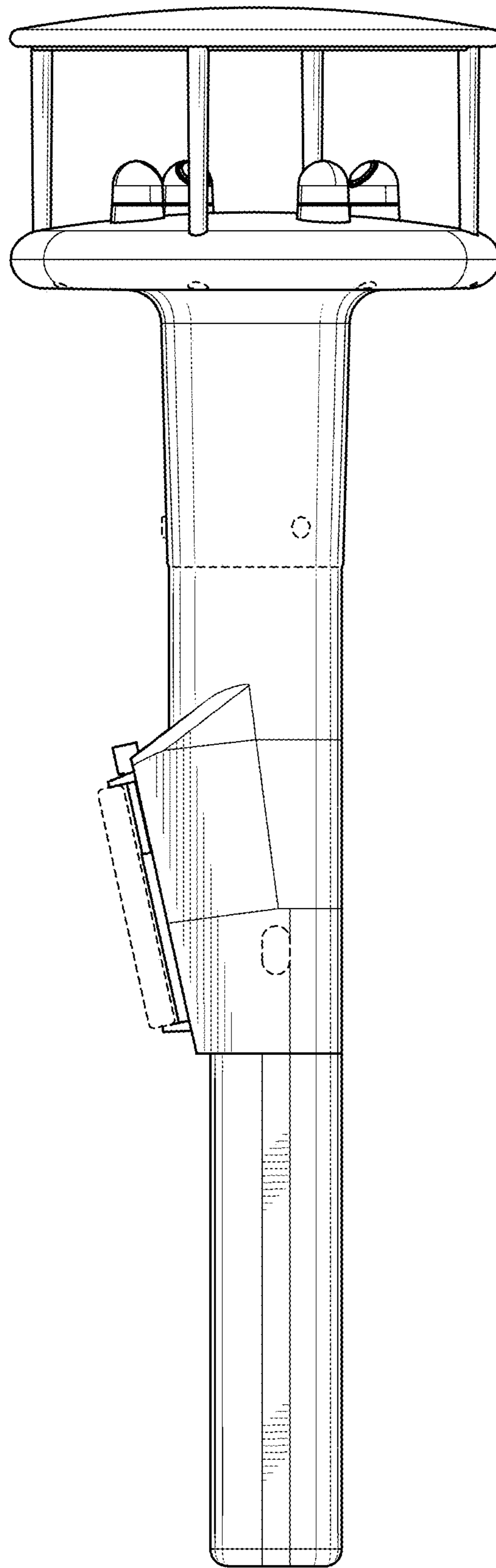


FIG. 4

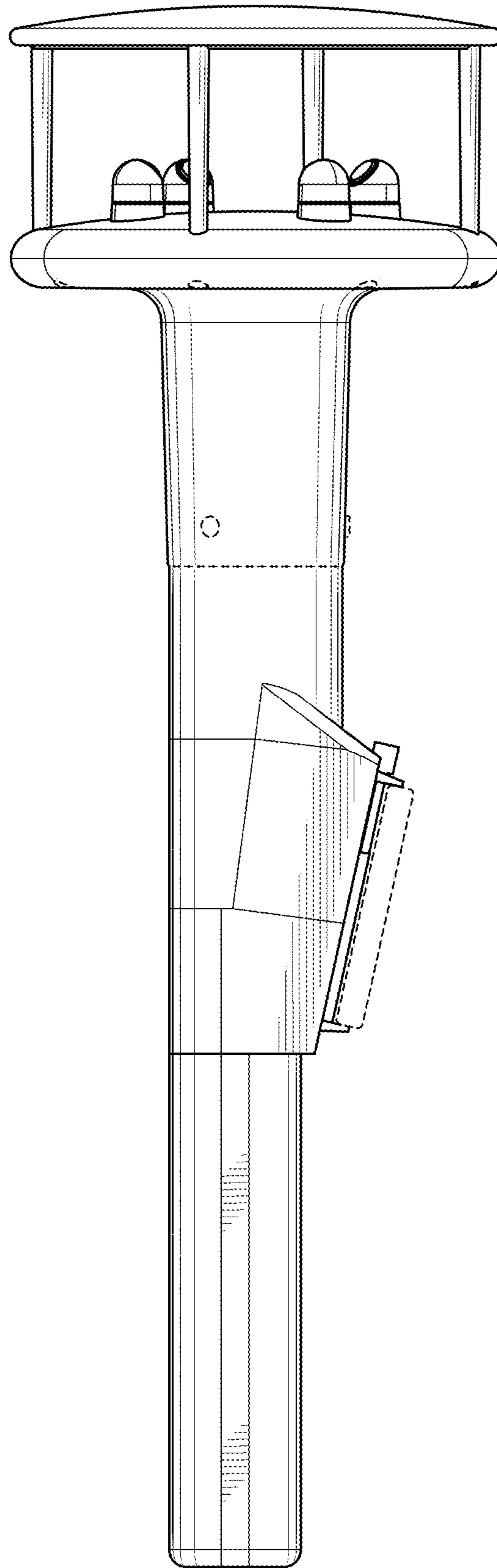


FIG. 5

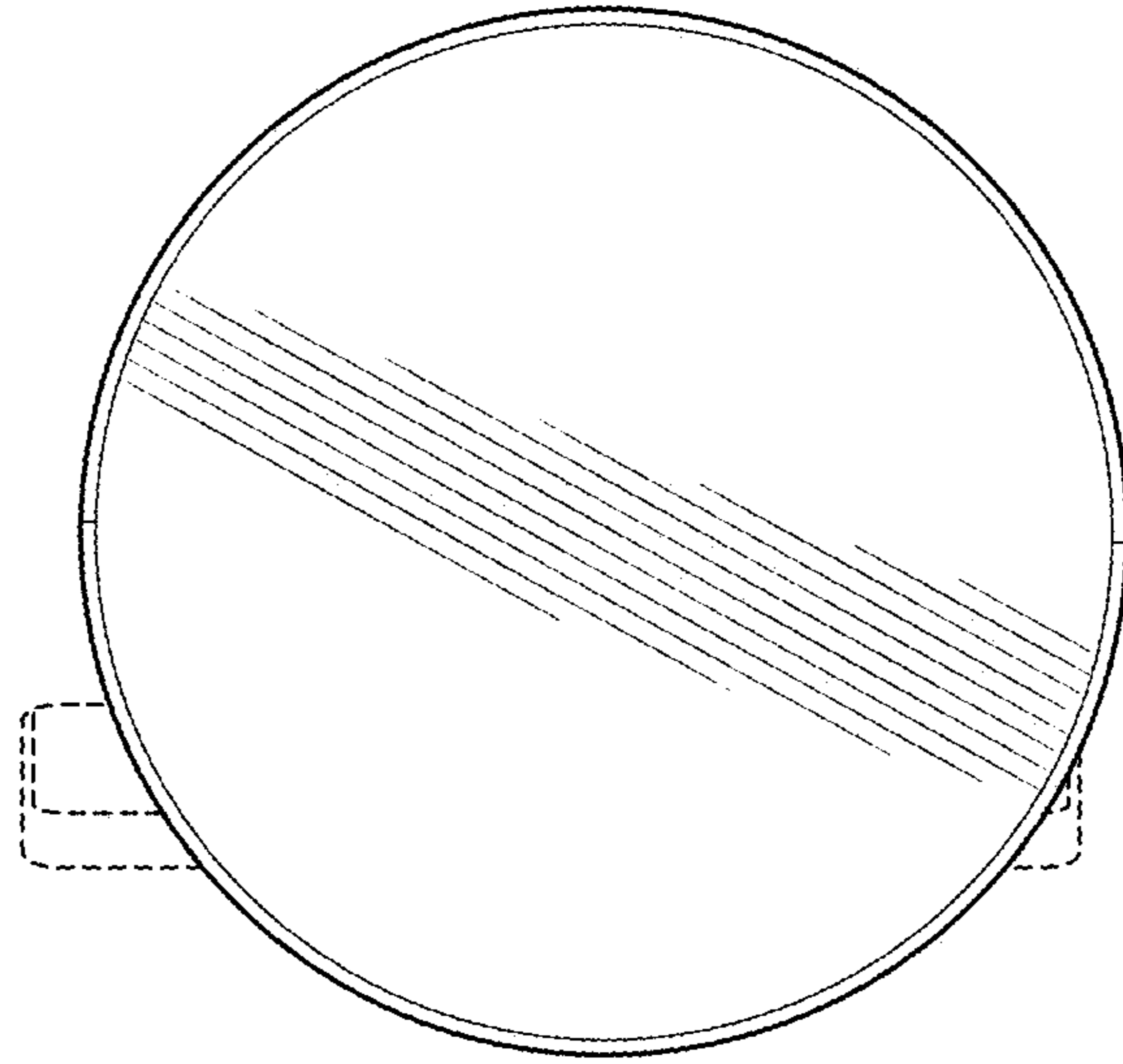


FIG. 6

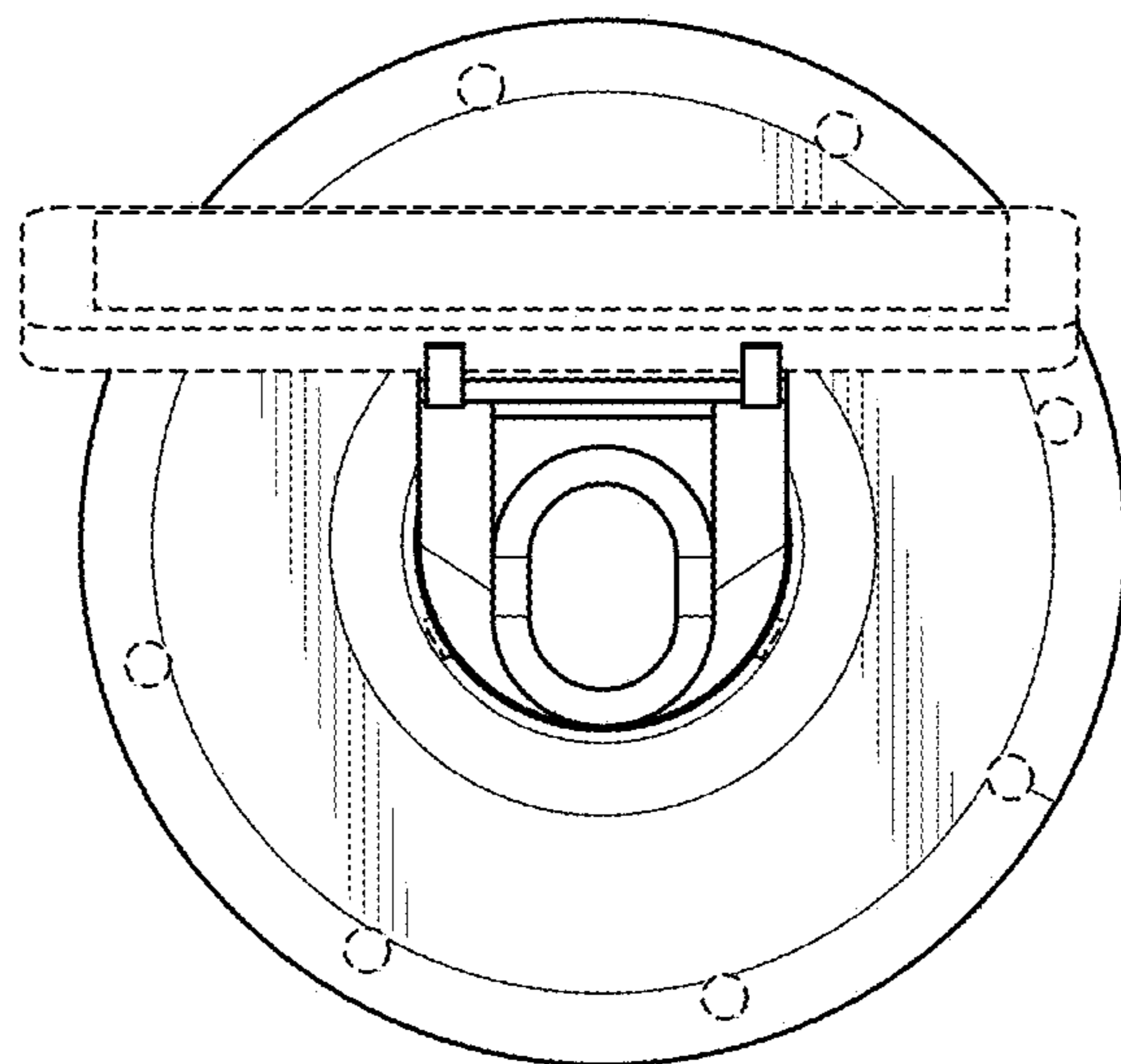


FIG. 7