

US00D969646S

(12) **United States Design Patent**  
**In et al.**

(10) **Patent No.:** **US D969,646 S**

(45) **Date of Patent:** **\*\* Nov. 15, 2022**

(54) **VIBRATION TEST DEVICE FOR SIMULATOR**

(71) Applicant: **SAGINOMIYA SEISAKUSHO, INC.**,  
Tokyo (JP)

(72) Inventors: **Eisei In**, Sayama (JP); **Tomonori Uchida**, Sayama (JP); **Tomohiro Hosaka**, Sayama (JP)

(73) Assignee: **SAGINOMIYA SEISAKUSHO, INC.**,  
Tokyo (JP)

(\*\*) Term: **15 Years**

(21) Appl. No.: **29/721,547**

(22) Filed: **Jan. 21, 2020**

(51) **LOC (13) Cl.** ..... **10-04**

(52) **U.S. Cl.**  
USPC ..... **D10/83; D15/199**

(58) **Field of Classification Search**  
USPC ..... D10/96-103, 83-86, 81, 70, 61,  
D10/118-118.2, 104.1-106.95, 106.9;  
(Continued)

(56) **References Cited**

**U.S. PATENT DOCUMENTS**

D433,043 S \* 10/2000 Uematsu ..... D15/199  
D835,171 S \* 12/2018 Nose ..... D16/132  
(Continued)

**FOREIGN PATENT DOCUMENTS**

CN 305802803 \* 12/2019  
CN 306513459 \* 12/2020  
(Continued)

**OTHER PUBLICATIONS**

Moog,Electric Simulation Table Next Generation Testing,Date first available May 25, 2012, [online]retrieved Jul. 11, 2022,available

from [https://www.moog.com/content/dam/moog/literature/ICD/Moog-Test-Electric\\_Simulation\\_Table-Overview-en.pdf](https://www.moog.com/content/dam/moog/literature/ICD/Moog-Test-Electric_Simulation_Table-Overview-en.pdf) (Year: 2012).\*

(Continued)

*Primary Examiner* — Keli L Hill

*Assistant Examiner* — Sara S Sahneh

(74) *Attorney, Agent, or Firm* — Studebaker & Brackett PC

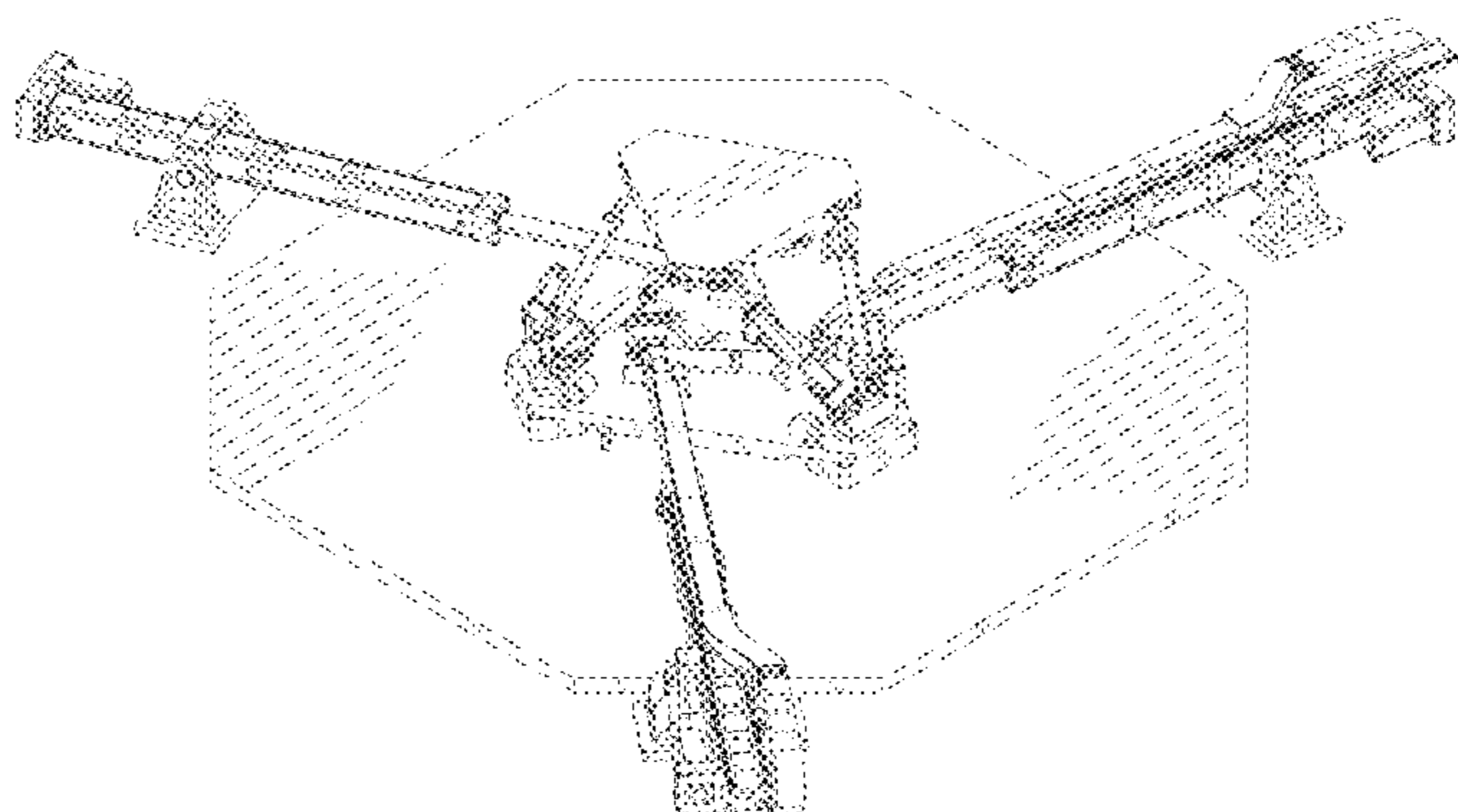
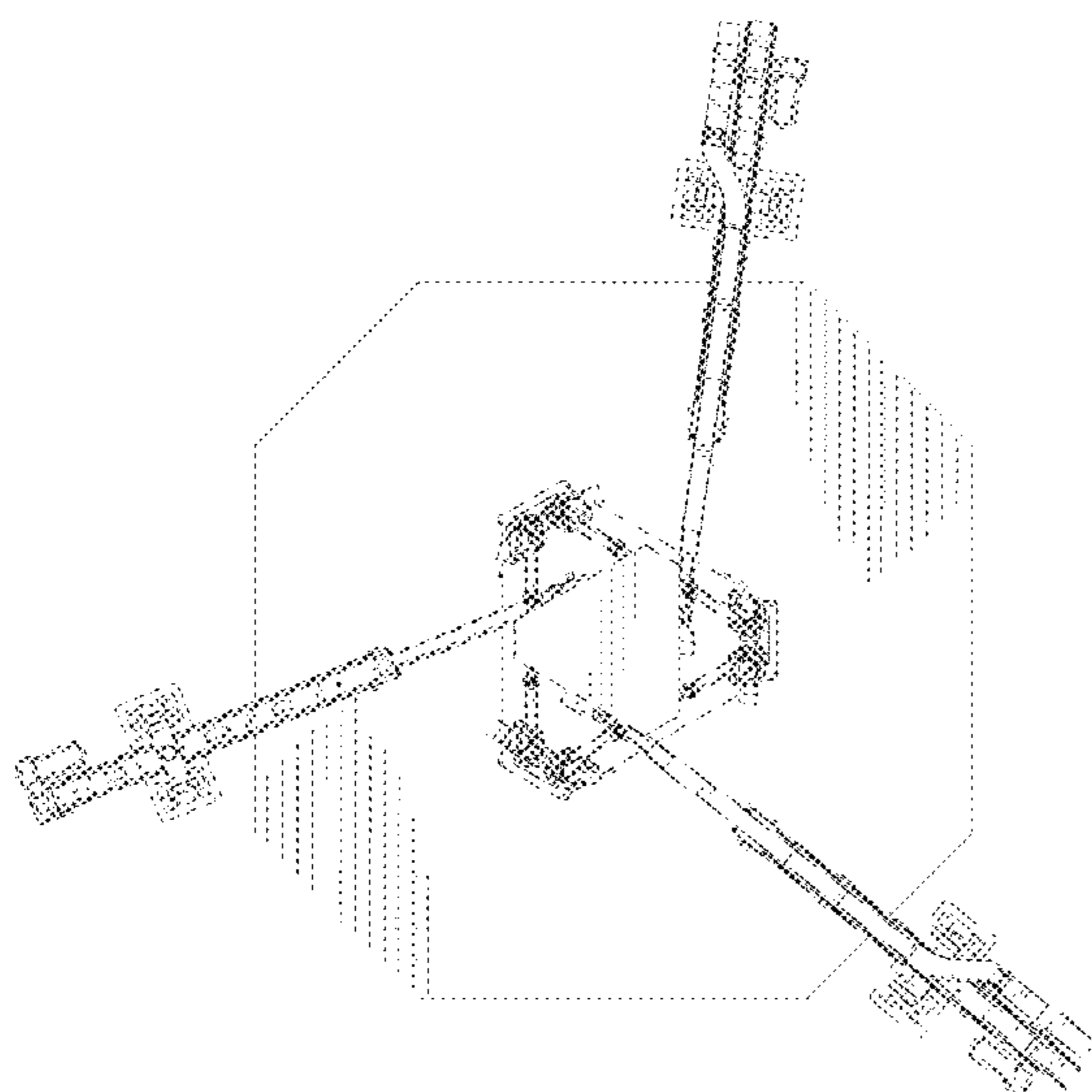
(57) **CLAIM**

The ornamental design for a vibration test device for simulator, as shown and described.

**DESCRIPTION**

FIG. 1 is a front view of a vibration test device for simulator showing our new design;  
FIG. 2 is a rear view thereof;  
FIG. 3 is a left side view thereof;  
FIG. 4 is a right side view thereof;  
FIG. 5 is a top plan view thereof;  
FIG. 6 is a bottom view thereof;  
FIG. 7 is a perspective view thereof;  
FIG. 8 is a cross-sectional view taken along line 8-8' of FIG. 1;  
FIG. 9 is a partial enlarged view of part 9-9' of FIG. 1;  
FIG. 10 is a partial enlarged view of part 10-10' of FIG. 1;  
FIG. 11 is a partial enlarged view of part 11-11' of FIG. 2;  
FIG. 12 is a partial enlarged view of part 12-12' of FIG. 2;  
FIG. 13 is a partial enlarged view of part 13-13' of FIG. 3;  
FIG. 14 is a partial enlarged view of part 14-14' of FIG. 3;  
FIG. 15 is a partial enlarged view of part 15-15' of FIG. 4;  
FIG. 16 is a partial enlarged view of part 16-16' of FIG. 4;  
FIG. 17 is a reference perspective view showing the partial enlarged parts thereof;  
FIG. 18 is a partial enlarged view of part 18 of FIG. 17;  
FIG. 19 is a partial enlarged view of part 19 of FIG. 17;  
FIG. 20 is a partial enlarged view of part 20 of FIG. 17; and,  
FIG. 21 is a partial enlarged view of part 21 of FIG. 17.

**1 Claim, 21 Drawing Sheets**



# US D969,646 S

Page 2

(58) **Field of Classification Search**

USPC ..... D15/148, 149, 199, 150–152; D14/388;  
D12/83

CPC ..... G01M 7/06; G01M 7/022; G01M 7/027;  
G01M 7/02; G09B 9/12; G09B 9/04;  
G09B 9/14; G09B 9/02; G09B 9/05

See application file for complete search history.

(56)

**References Cited**

U.S. PATENT DOCUMENTS

D870,730 S \* 12/2019 Wang ..... D21/828  
2003/0108379 A1 \* 6/2003 Bushey ..... G09B 9/02  
403/51  
2015/0323414 A1 \* 11/2015 In ..... G01M 17/007  
73/11.07  
2015/0323415 A1 \* 11/2015 In ..... F16M 11/2085  
73/11.04  
2015/0356878 A1 \* 12/2015 Warmerdam ..... G09B 9/00  
73/865.6  
2016/0140862 A1 \* 5/2016 Van Lookeren Campagne .....  
G09B 9/14  
434/55

2016/0293039 A1 \* 10/2016 Hosaka ..... G09B 9/14  
2017/0221376 A1 \* 8/2017 Gosselin ..... B25J 17/0216  
2021/0158719 A1 \* 5/2021 Warne ..... G09B 9/12  
2022/0020285 A1 \* 1/2022 Lookeren Campagne .....  
G09B 9/46  
2022/0215771 A1 \* 7/2022 Warne ..... G09B 9/12

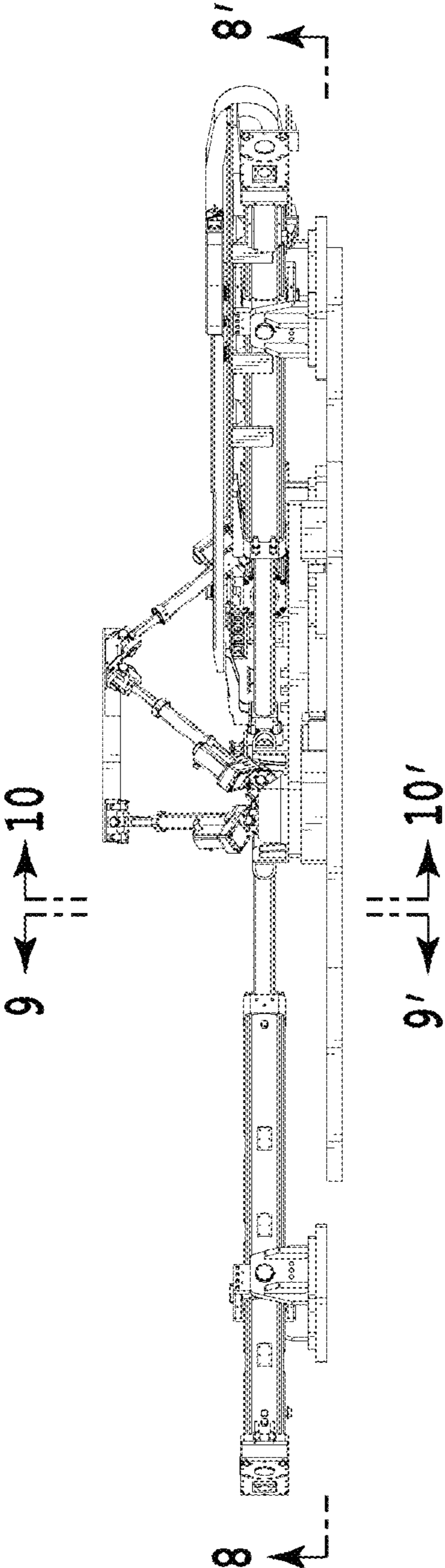
FOREIGN PATENT DOCUMENTS

CN 307361979 \* 11/2021  
JP 2015-033671 A 2/2015  
KR 300983491.0000 \* 7/2017  
WO 2014/087710 A1 6/2014  
WO 2014/087711 A1 6/2014

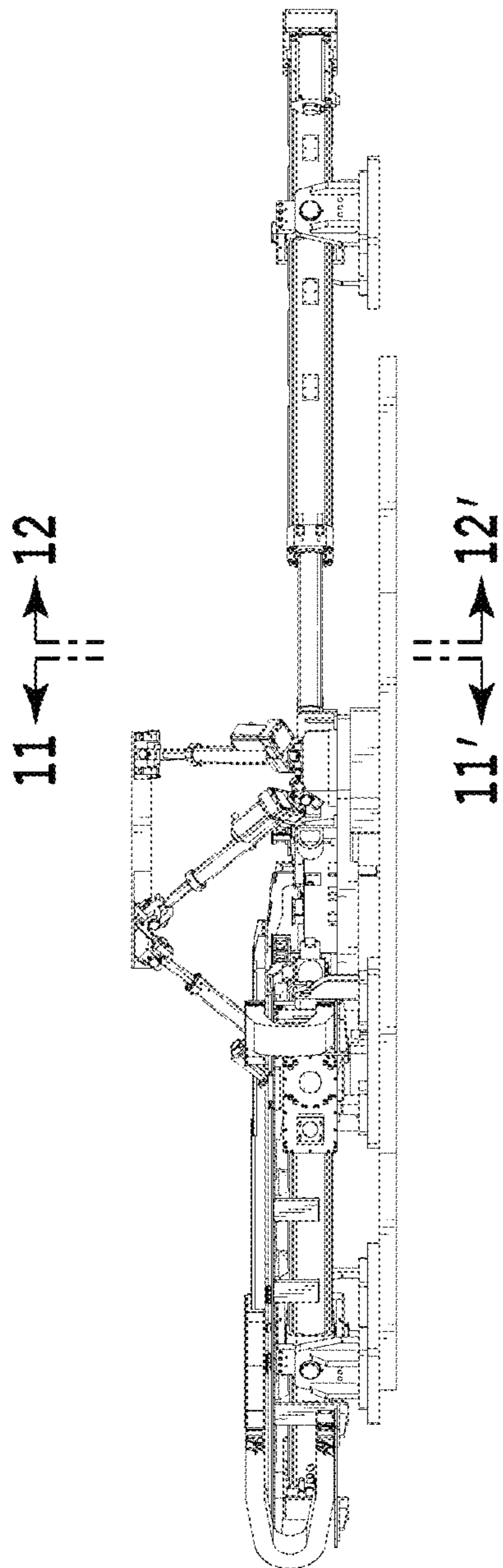
OTHER PUBLICATIONS

Moog, Hydraulic Simulation Table, Date first available from wayback  
date Apr. 18, 2017, [online]retrieved Jul. 11, 2022, available from  
wayback <https://web.archive.org/web/20170418174129/https://www.moog.com/products/simulation-tables/hydraulic-simulation-table.html> (Year: 2017).\*

\* cited by examiner

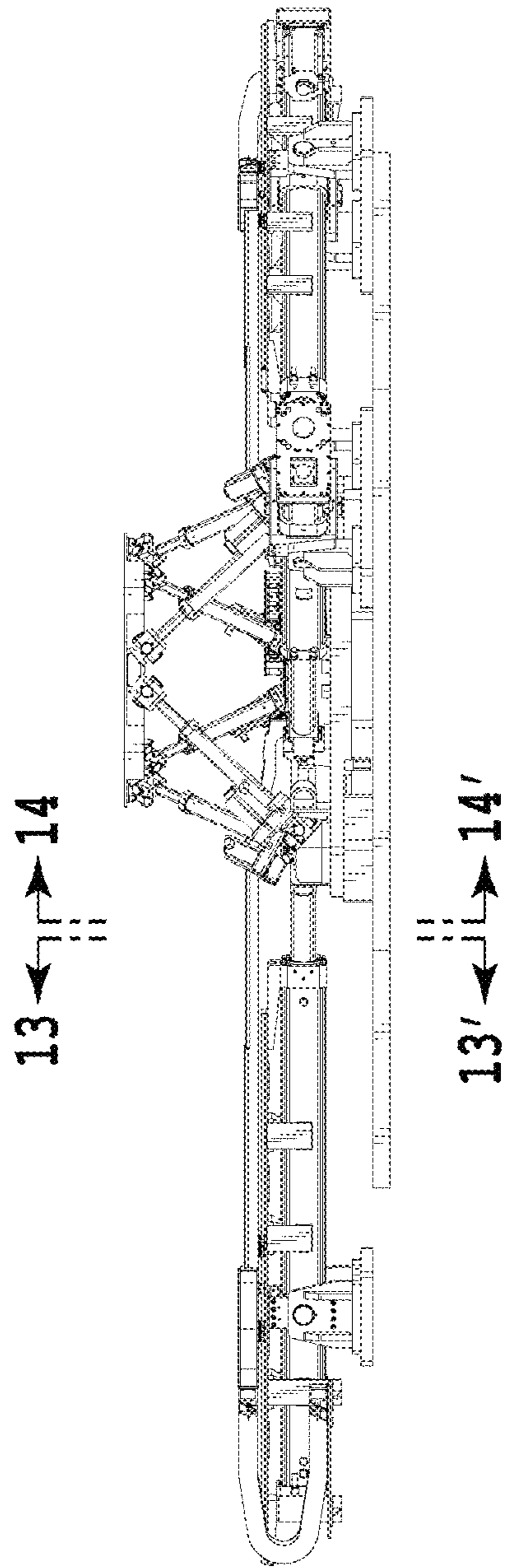


**FIG. 1**

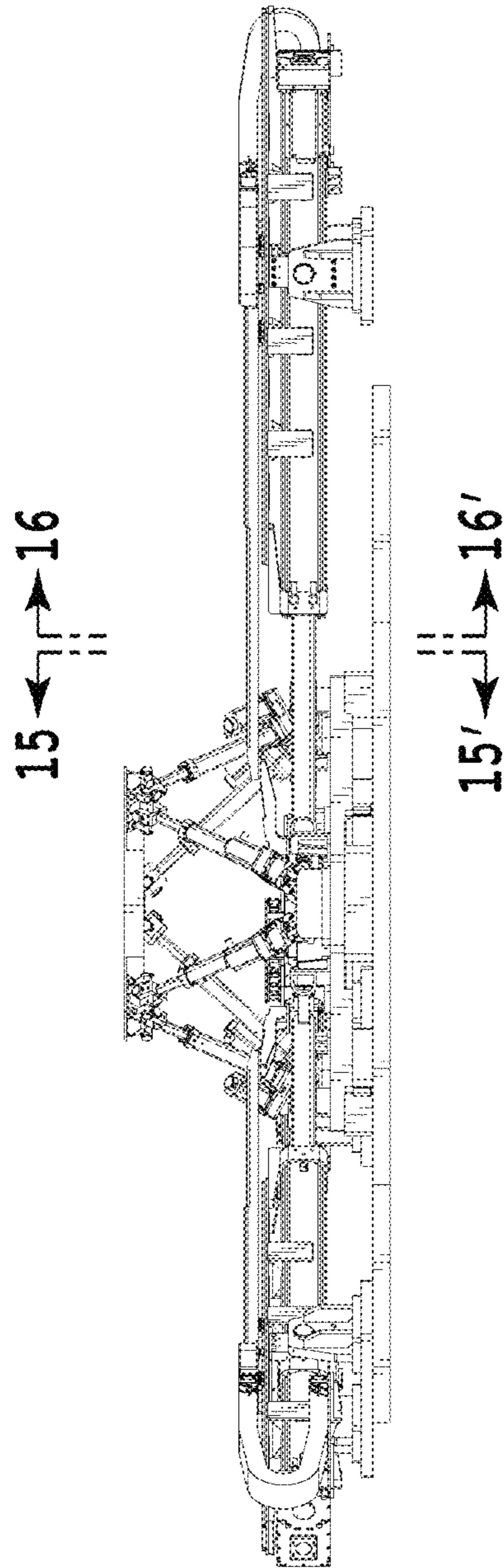


**FIG. 2**

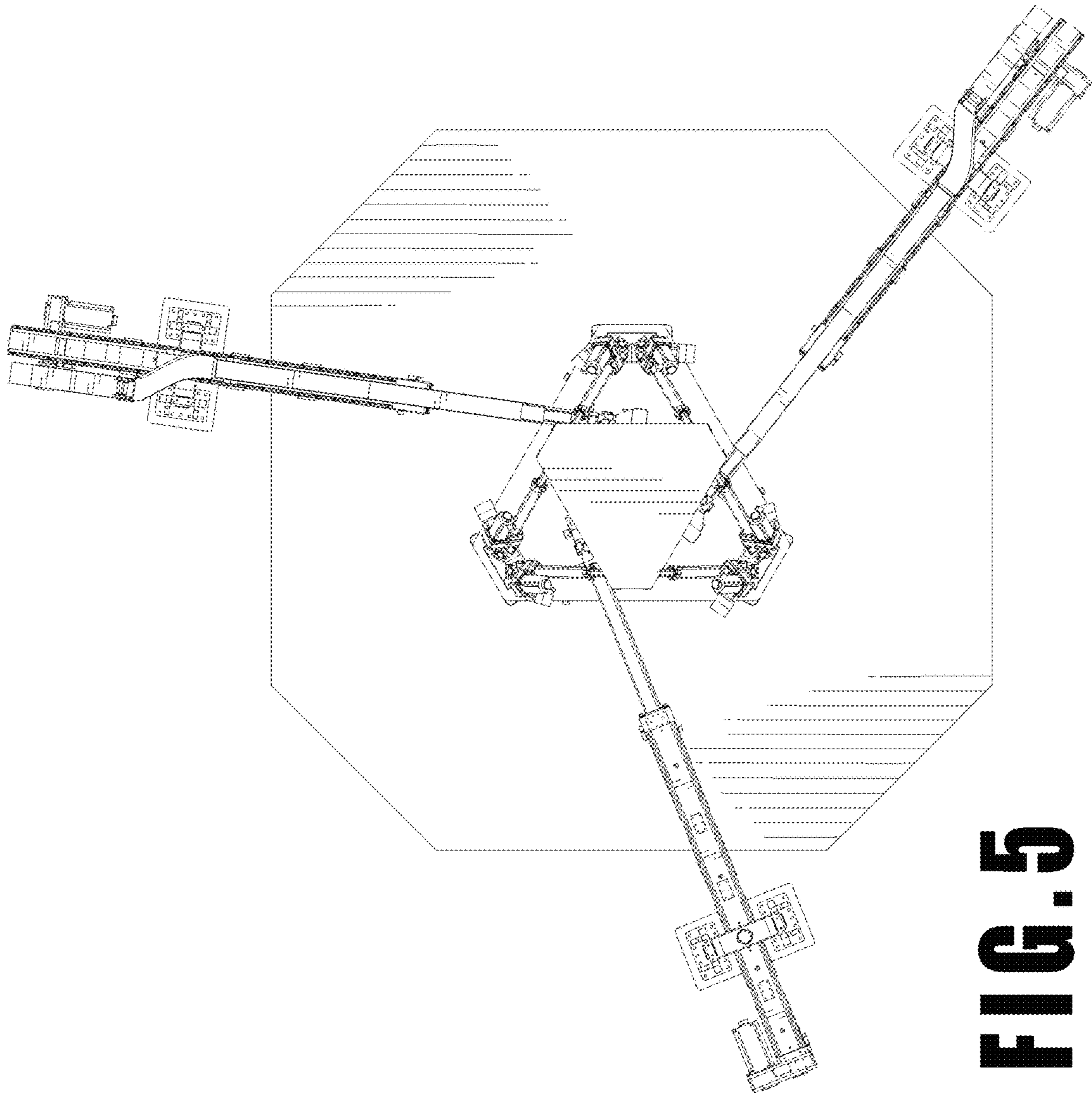


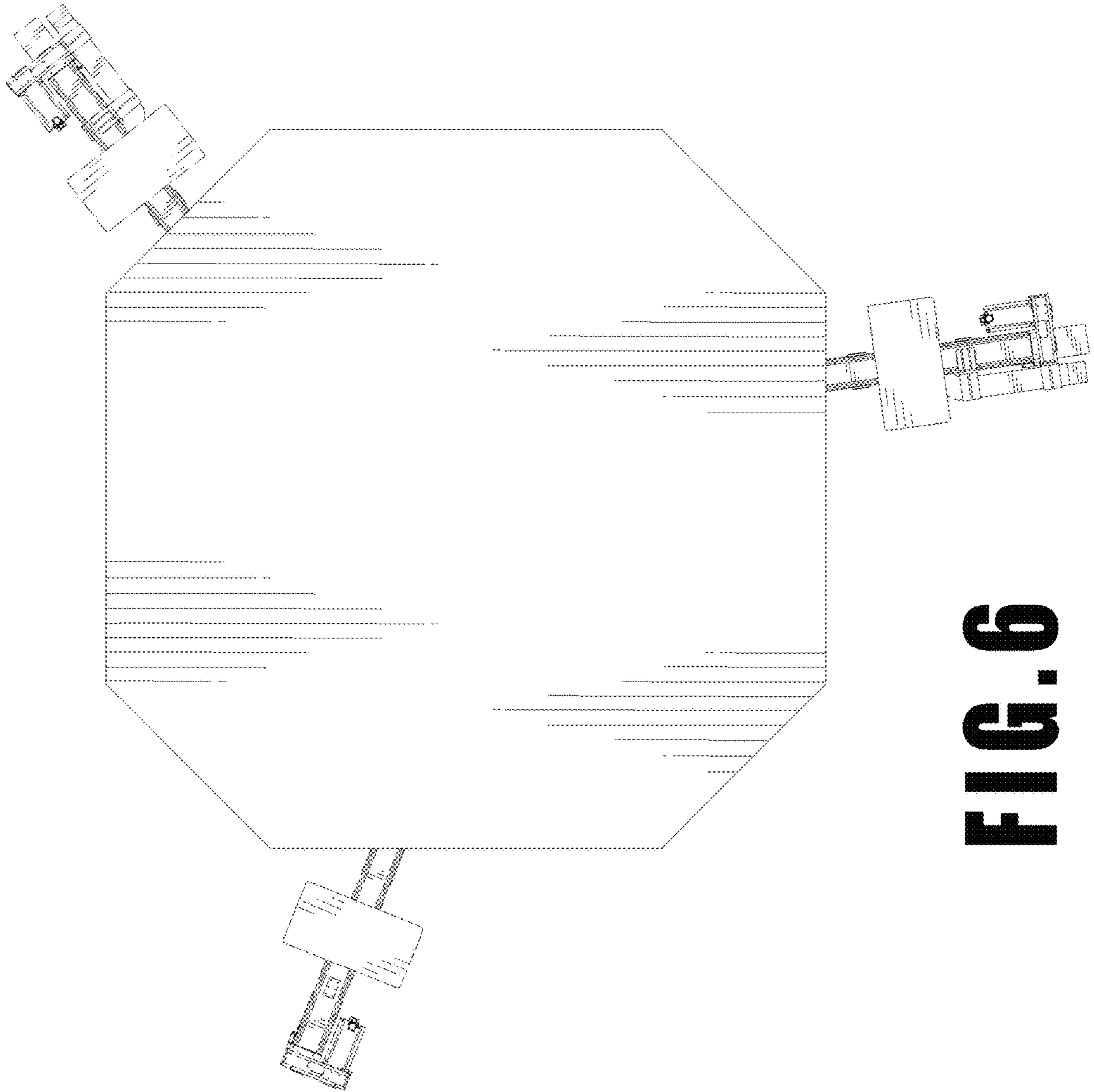


**FIG. 3**



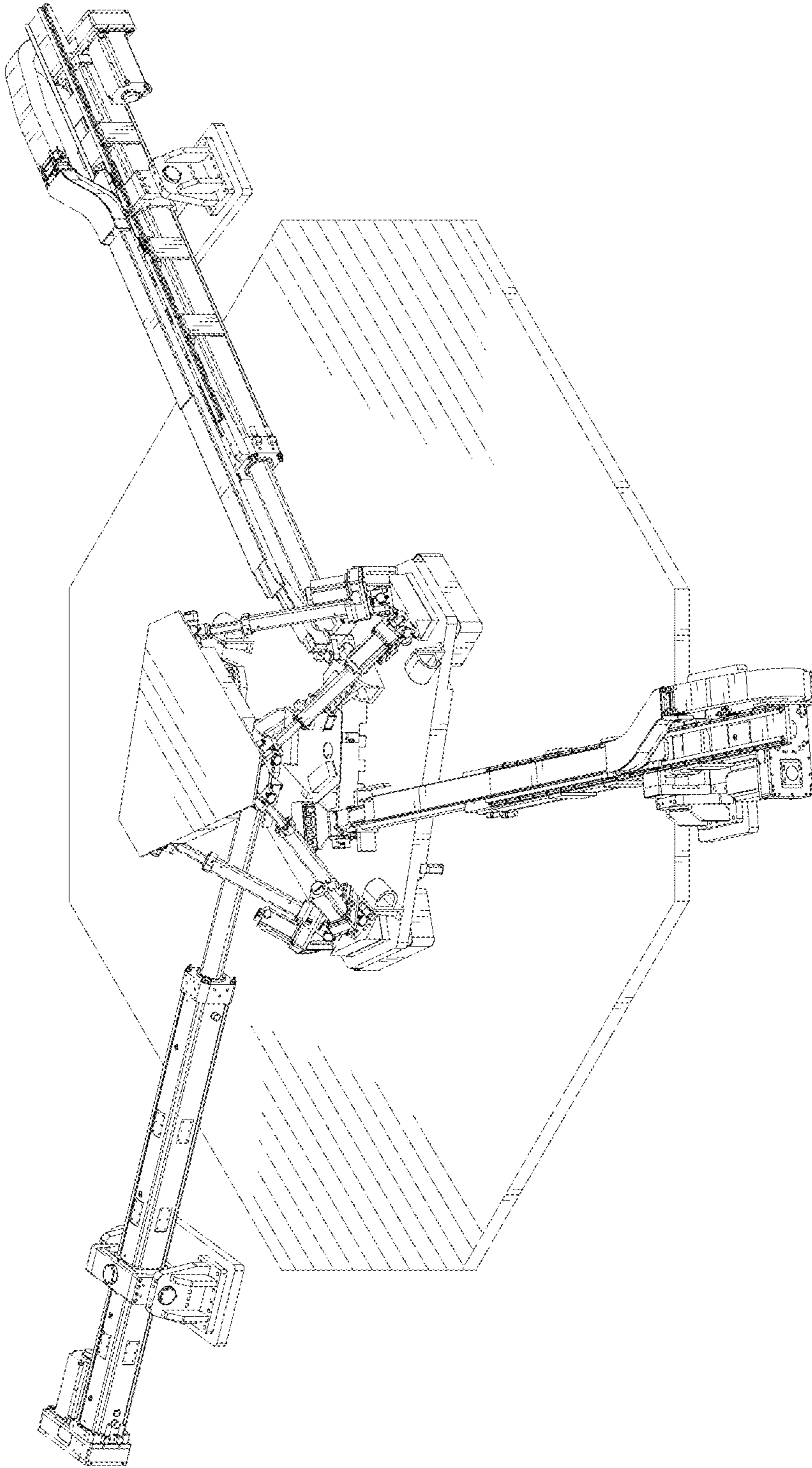
**FIG. 4**



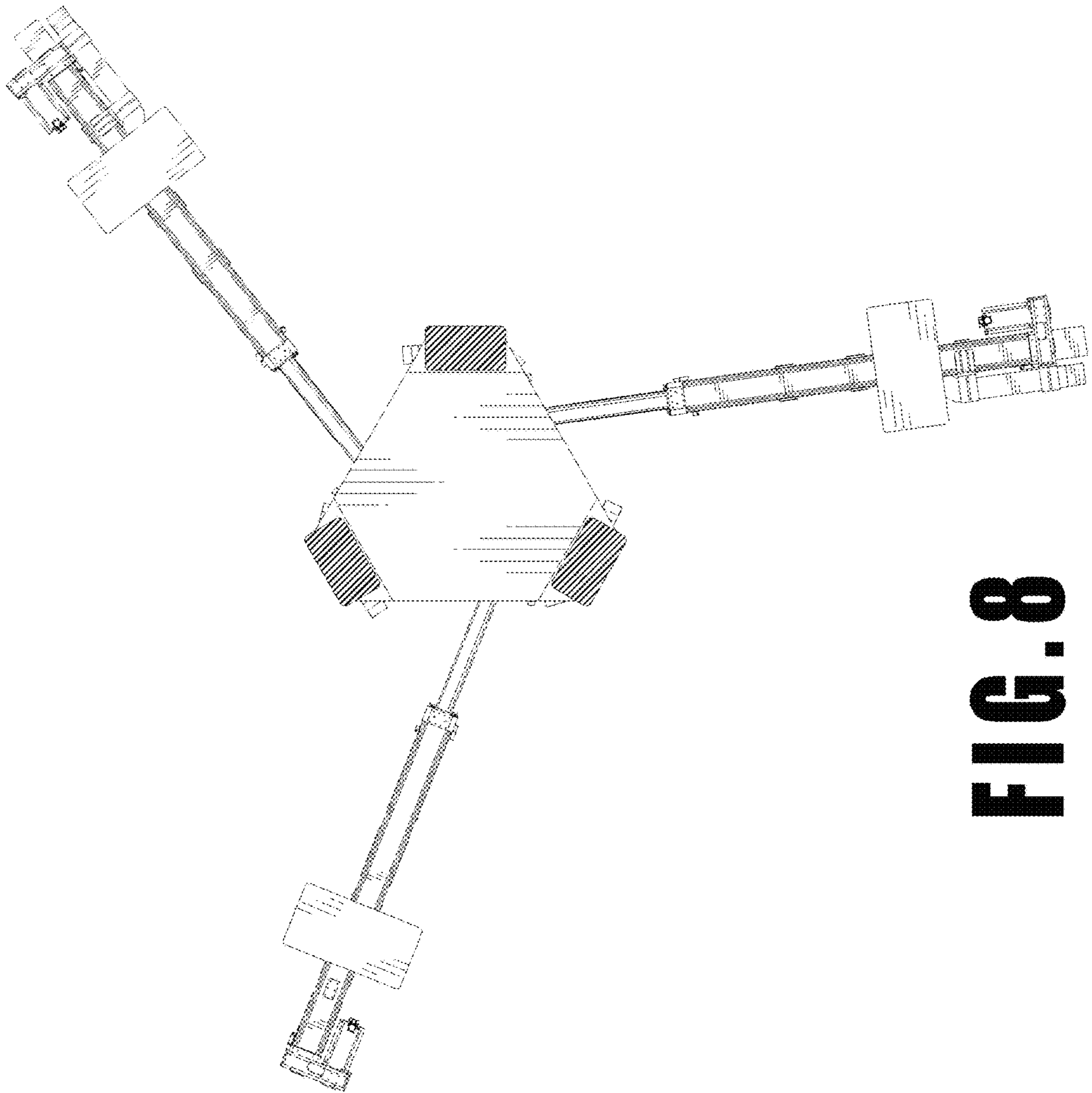


**FIG. 6**

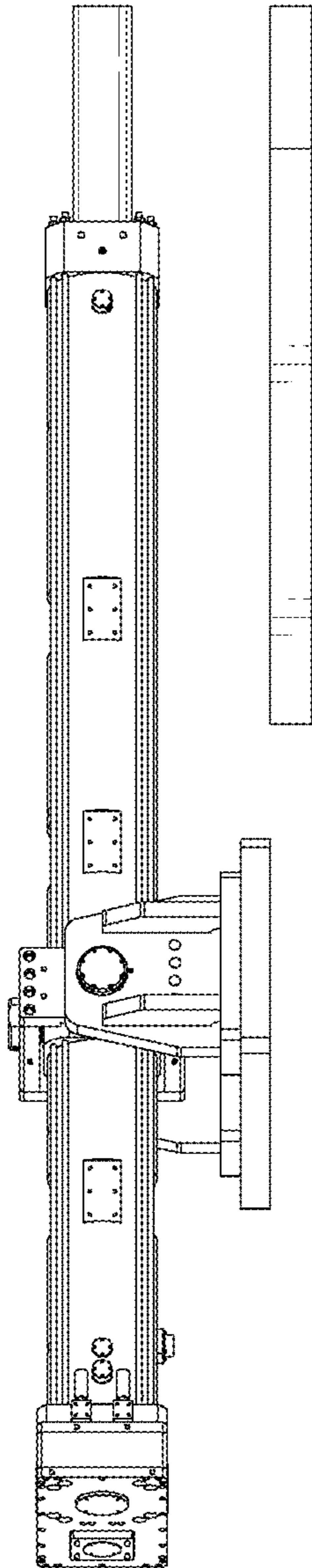




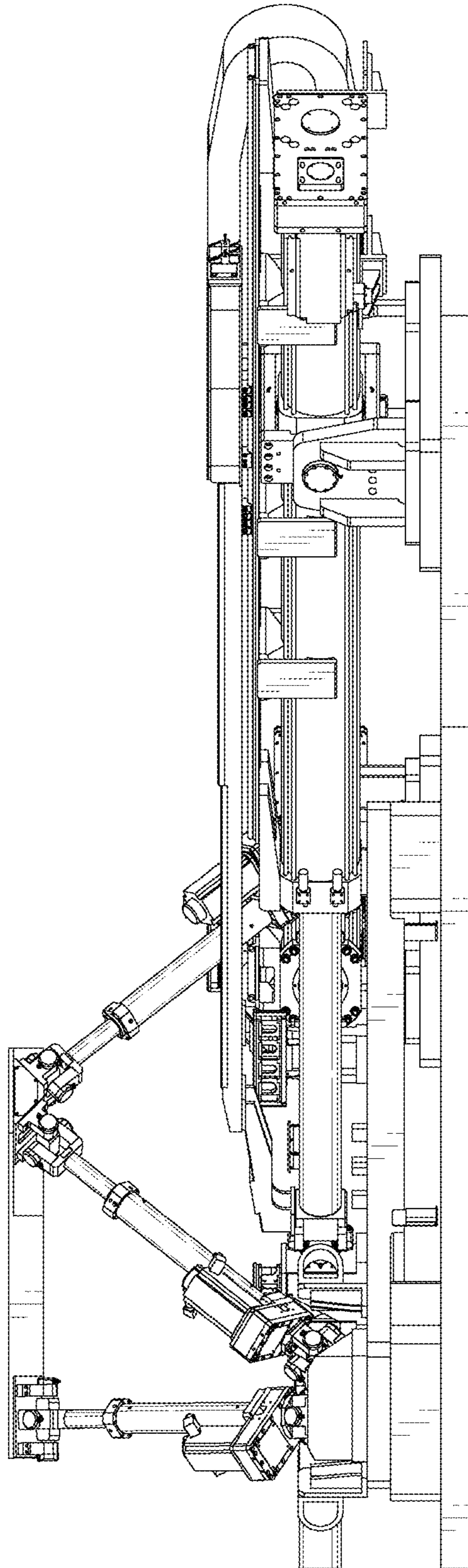
**FIG. 7**



**FIG. 8**

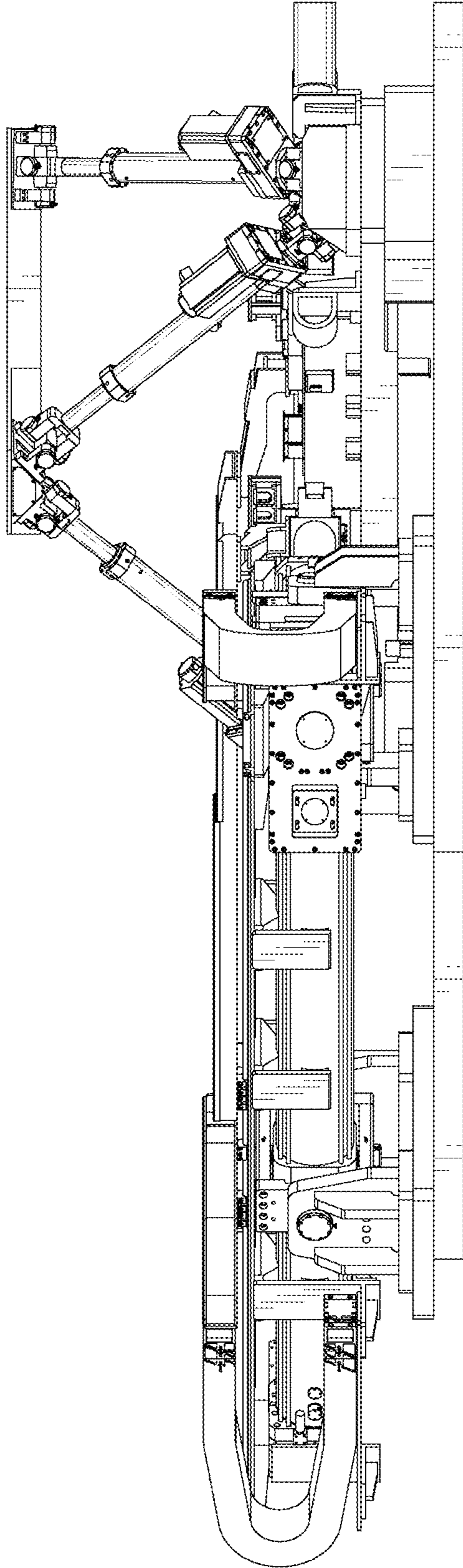


**FIG. 9**

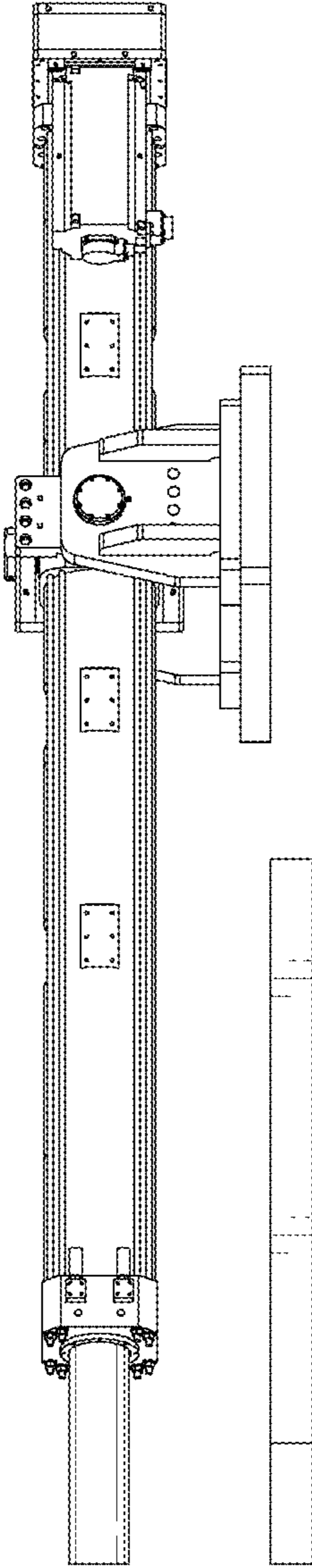


**FIG. 10**

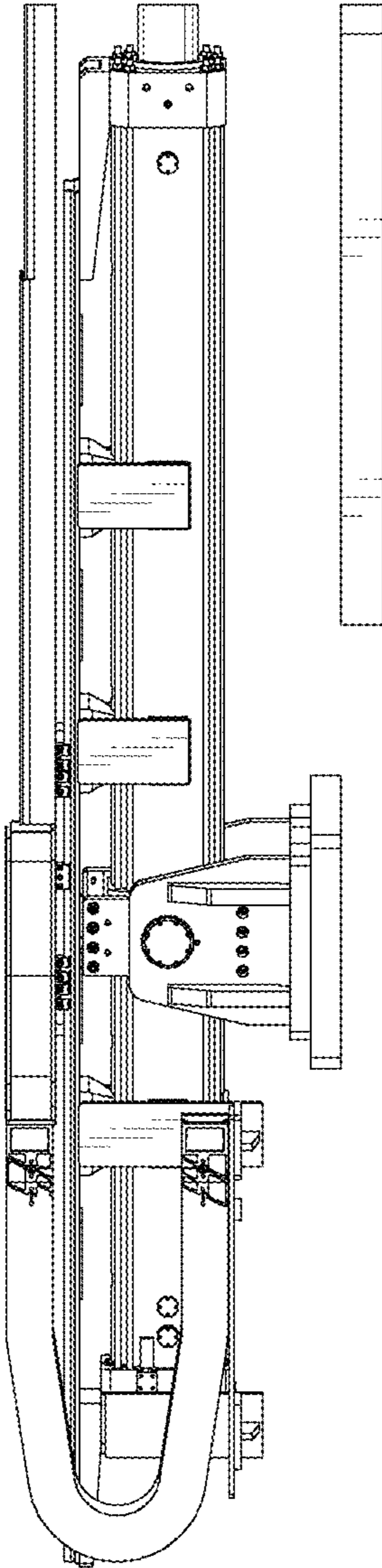




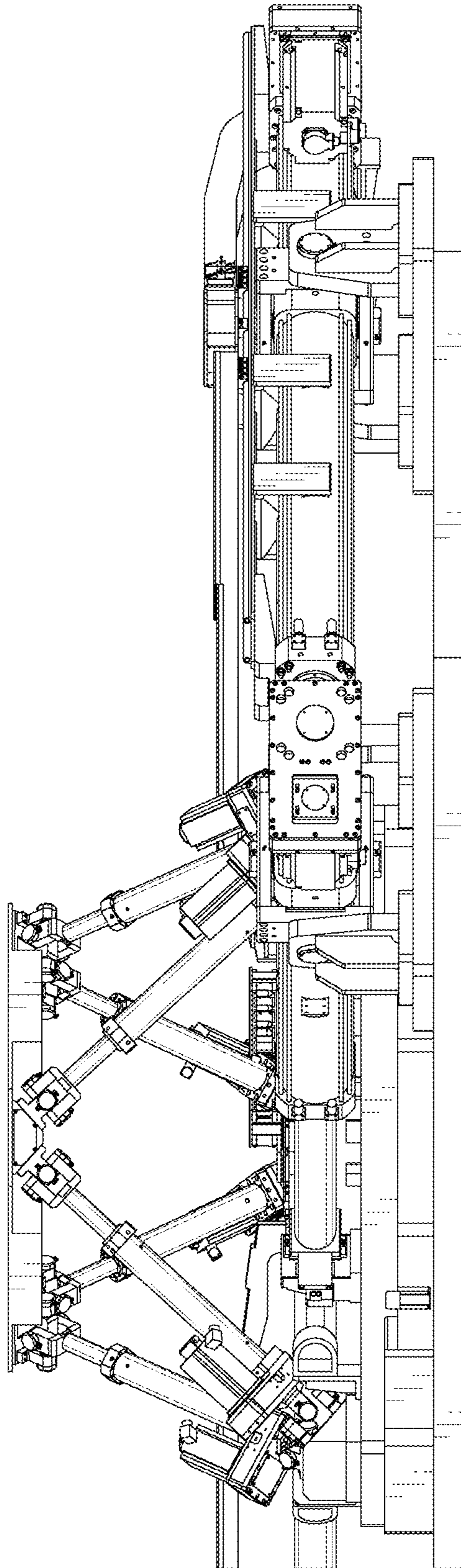
**FIG. 11**



**FIG. 12**

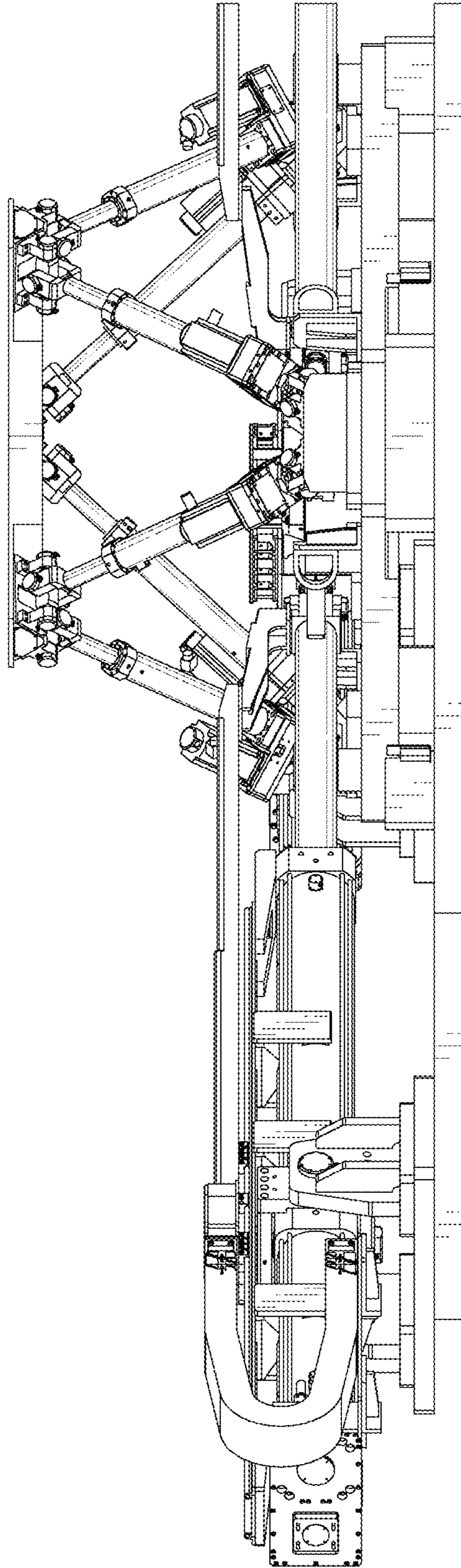


**FIG. 13**

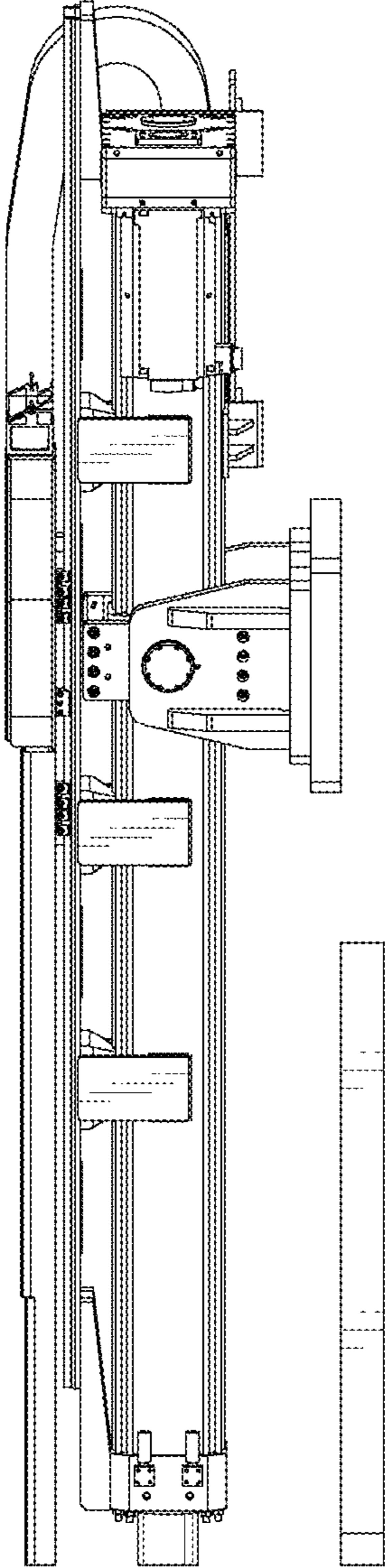


**FIG. 14**

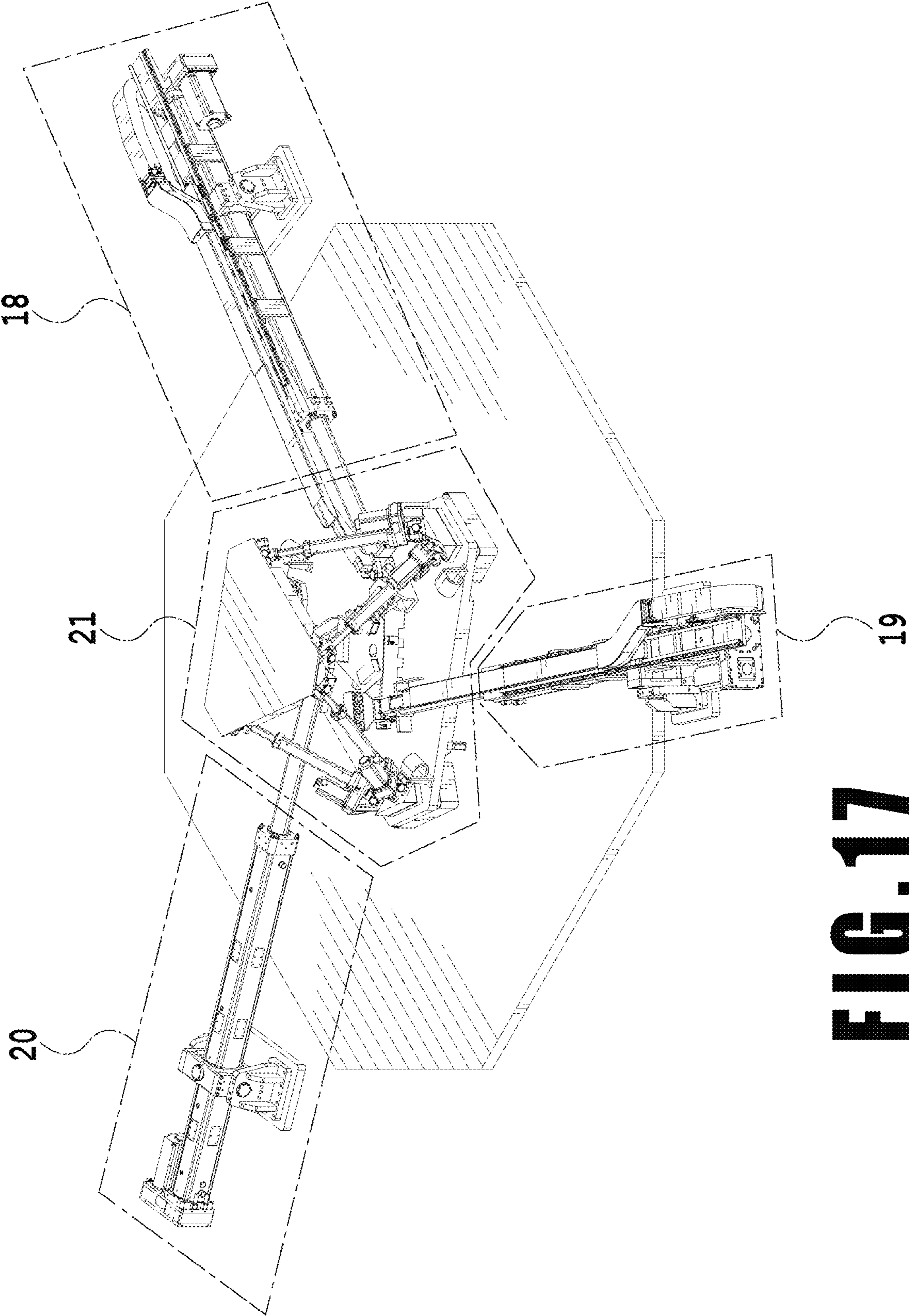




**FIG. 15**

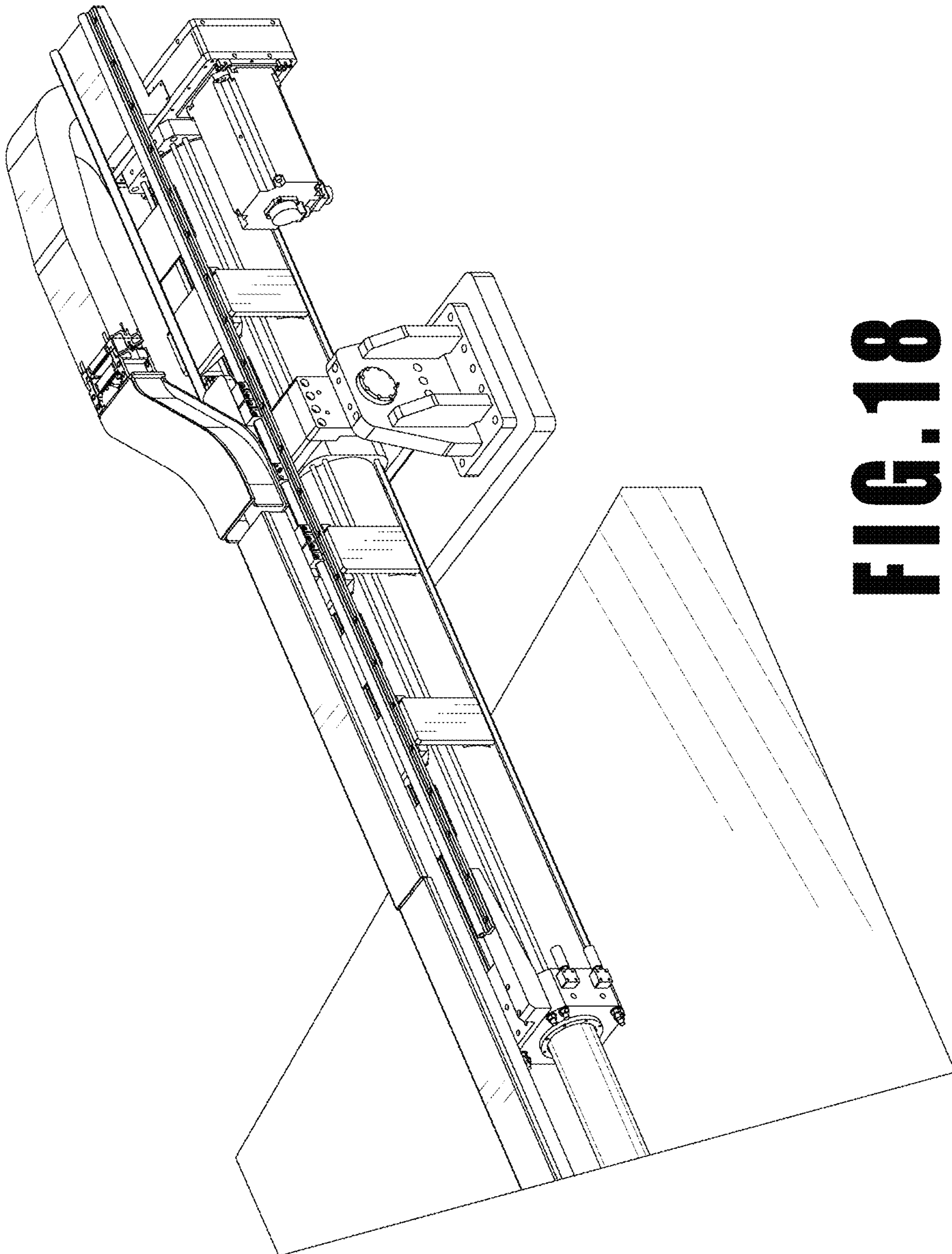


**FIG. 16**



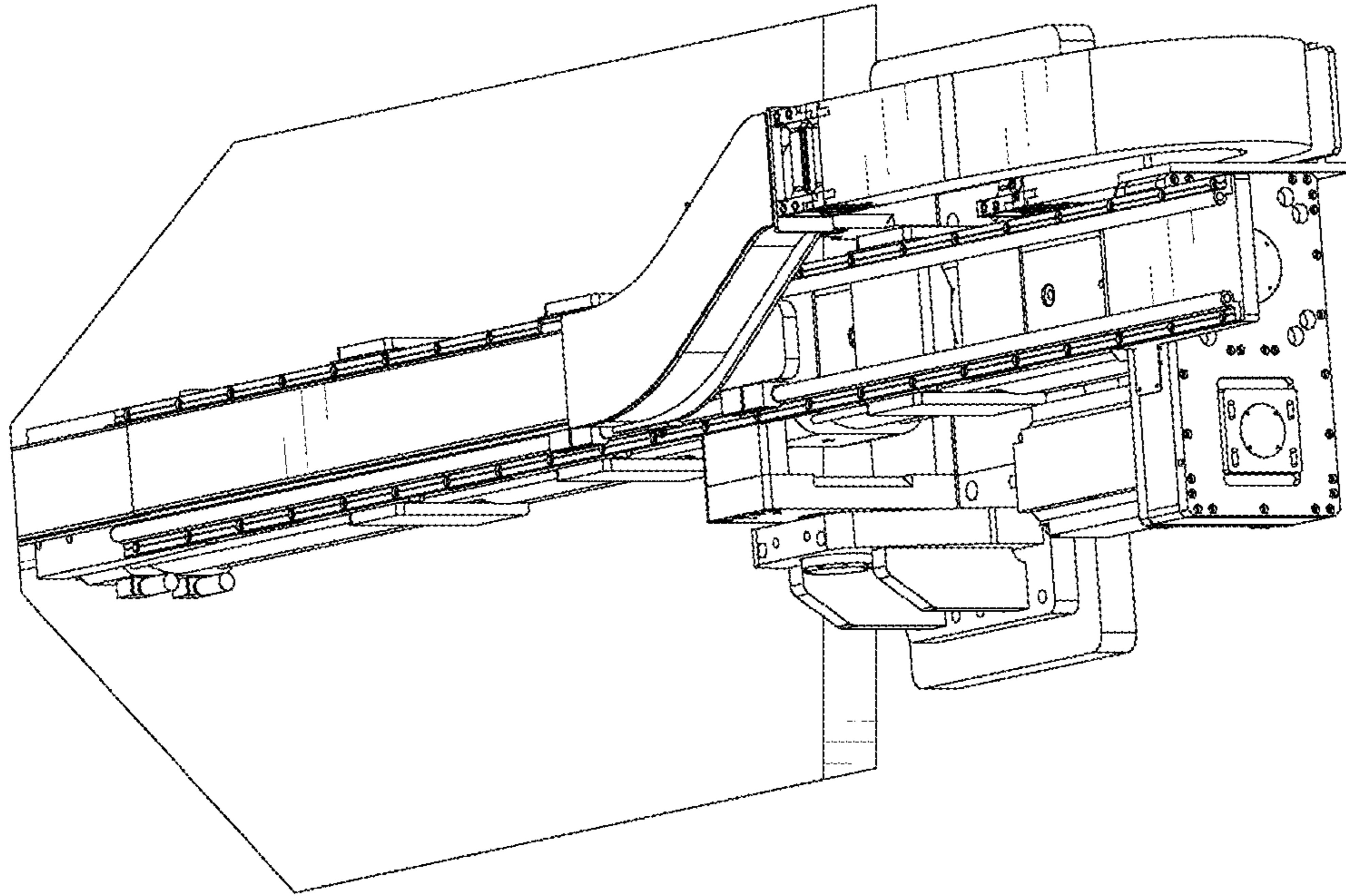
**FIG. 17**



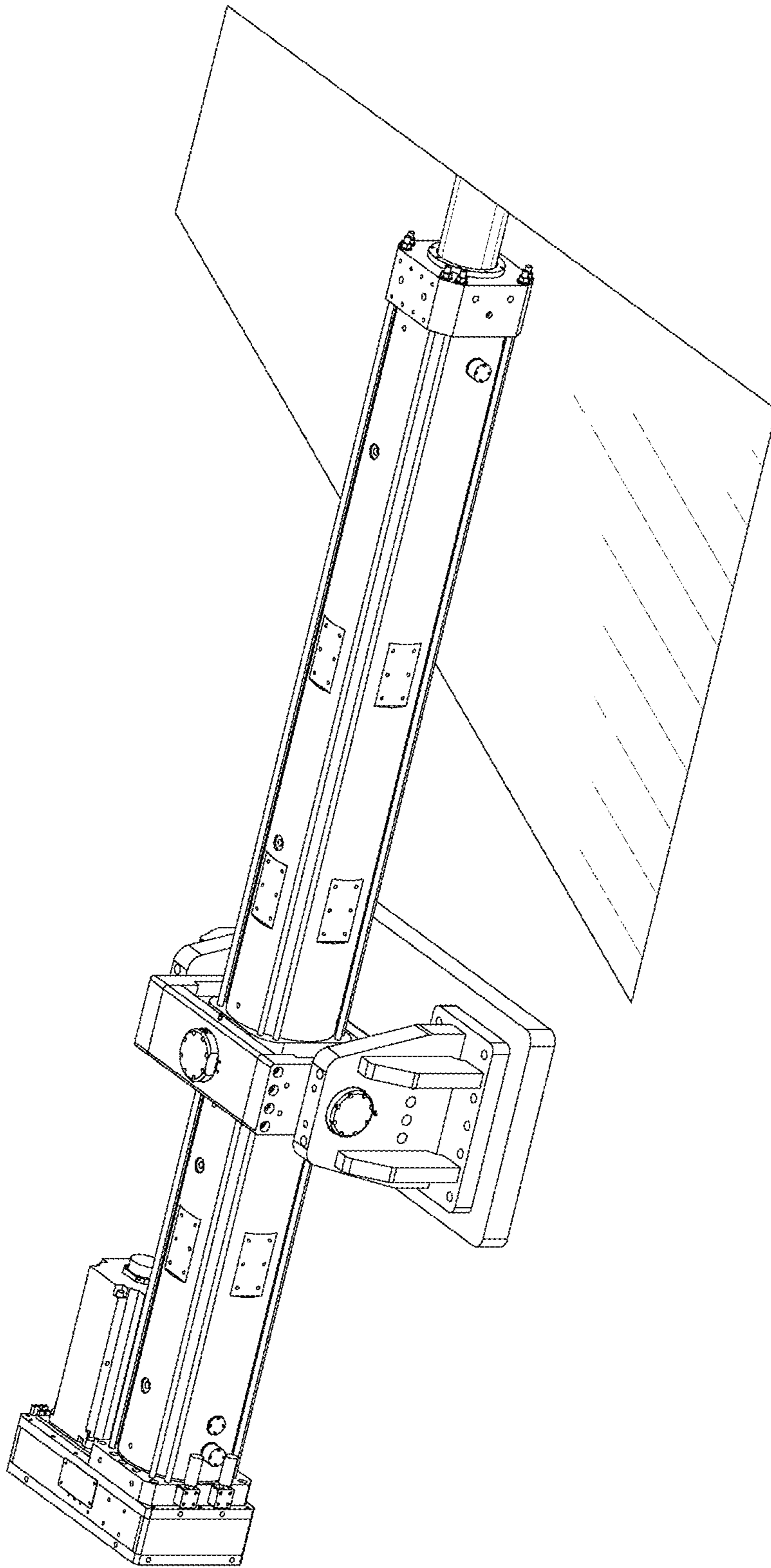


**FIG. 18**

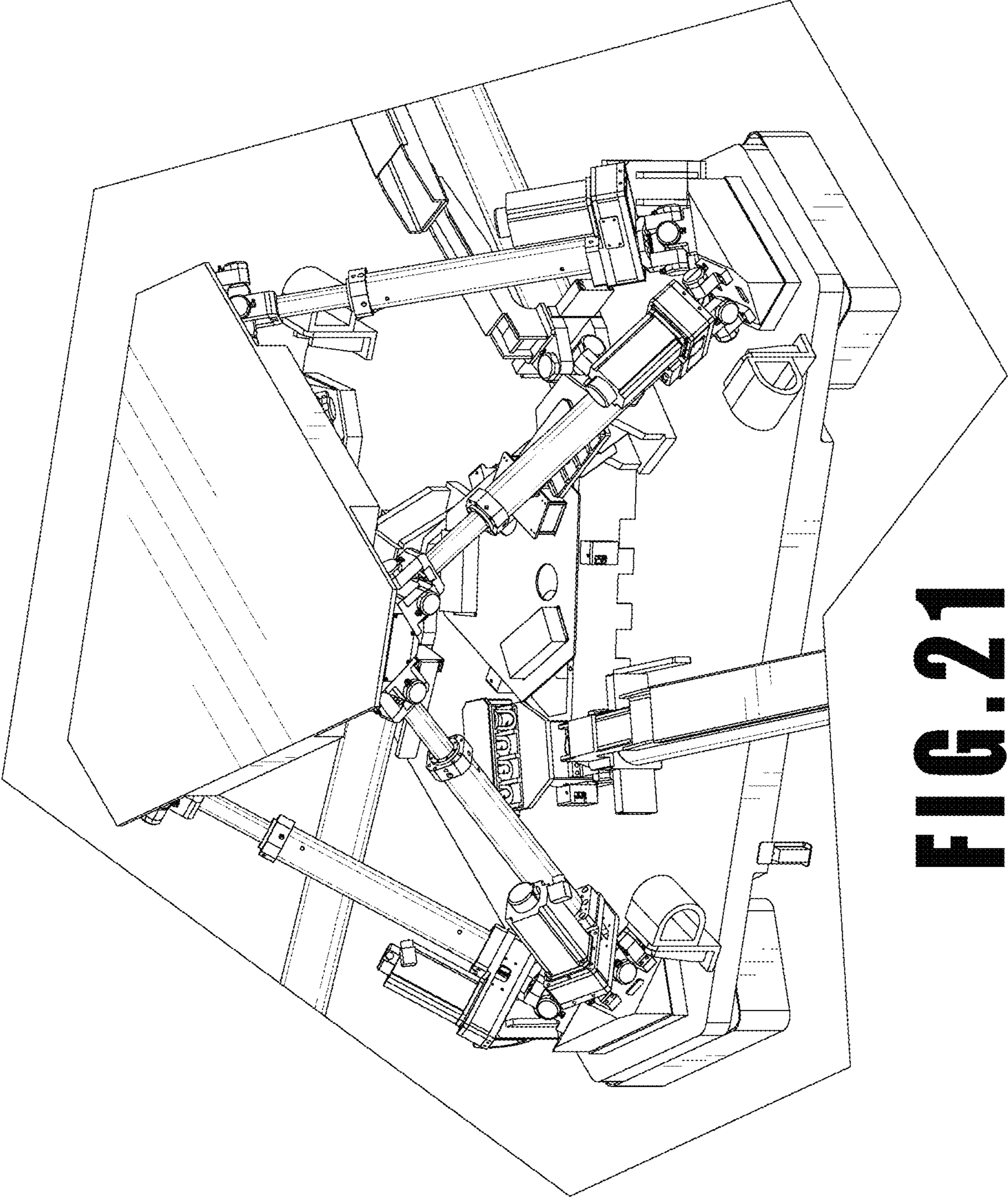




**FIG. 19**



**FIG. 20**



**FIG. 21**