

US00D969643S

(12) **United States Design Patent** (10) **Patent No.:** **US D969,643 S**
LaRose et al. (45) **Date of Patent:** **** Nov. 15, 2022**

(54) **PORTABLE NON-DESTRUCTIVE TEST INSTRUMENT**

(71) Applicant: **OLYMPUS AMERICA INC.**, Center Valley, PA (US)

(72) Inventors: **Sebastien LaRose**, Quebec (CA);
Christian Gauvin, Quebec (CA);
Benjamin Spay, Quebec (CA);
Francois Houde, Quebec (CA)

(73) Assignee: **Olympus America Inc.**, Center Valley, PA (US)

(**) Term: **15 Years**

(21) Appl. No.: **29/766,026**

(22) Filed: **Jan. 13, 2021**

Related U.S. Application Data

(62) Division of application No. 29/678,815, filed on Jan. 31, 2019, now Pat. No. Des. 909,900.

(51) **LOC (13) Cl.** **10-04**

(52) **U.S. Cl.**
USPC **D10/76; D10/78**

(58) **Field of Classification Search**
USPC **D10/75, 76, 78**

(Continued)

(56) **References Cited**

U.S. PATENT DOCUMENTS

D640,580 S 6/2011 Bibeau et al.
D668,564 S 10/2012 Poirier

(Continued)

FOREIGN PATENT DOCUMENTS

CN 111735490 A * 10/2020 G01C 15/00
EP 2000768 A1 * 12/2008 G01C 15/00

OTHER PUBLICATIONS

“U.S. Appl. No. 29/678,815, Non Final Office Action dated Jun. 9, 2020”, 20 pgs.

(Continued)

Primary Examiner — Antoine Duval Davis

(74) *Attorney, Agent, or Firm* — Schwegman Lundberg & Woessner, P.A.

(57) **CLAIM**

The ornamental design for a portable non-destructive test instrument, as shown and described.

DESCRIPTION

FIG. 1 is a first isometric view of a portable non-destructive test instrument, showing a side door in a closed position.

FIG. 2 is the first isometric view of the portable non-destructive test instrument, showing the side door in an open position.

FIG. 3 is a second isometric view of the portable non-destructive test instrument, showing the side door in the closed position.

FIG. 4 is the second isometric view of the portable non-destructive test instrument, showing the side door in the open position.

FIG. 5 is a front view of the portable non-destructive test instrument, showing the side door in the open position.

FIG. 6 is a back view of the portable non-destructive test instrument, showing the side door in the open position.

FIG. 7 is a right side view of the portable non-destructive test instrument, showing the side door in the open position.

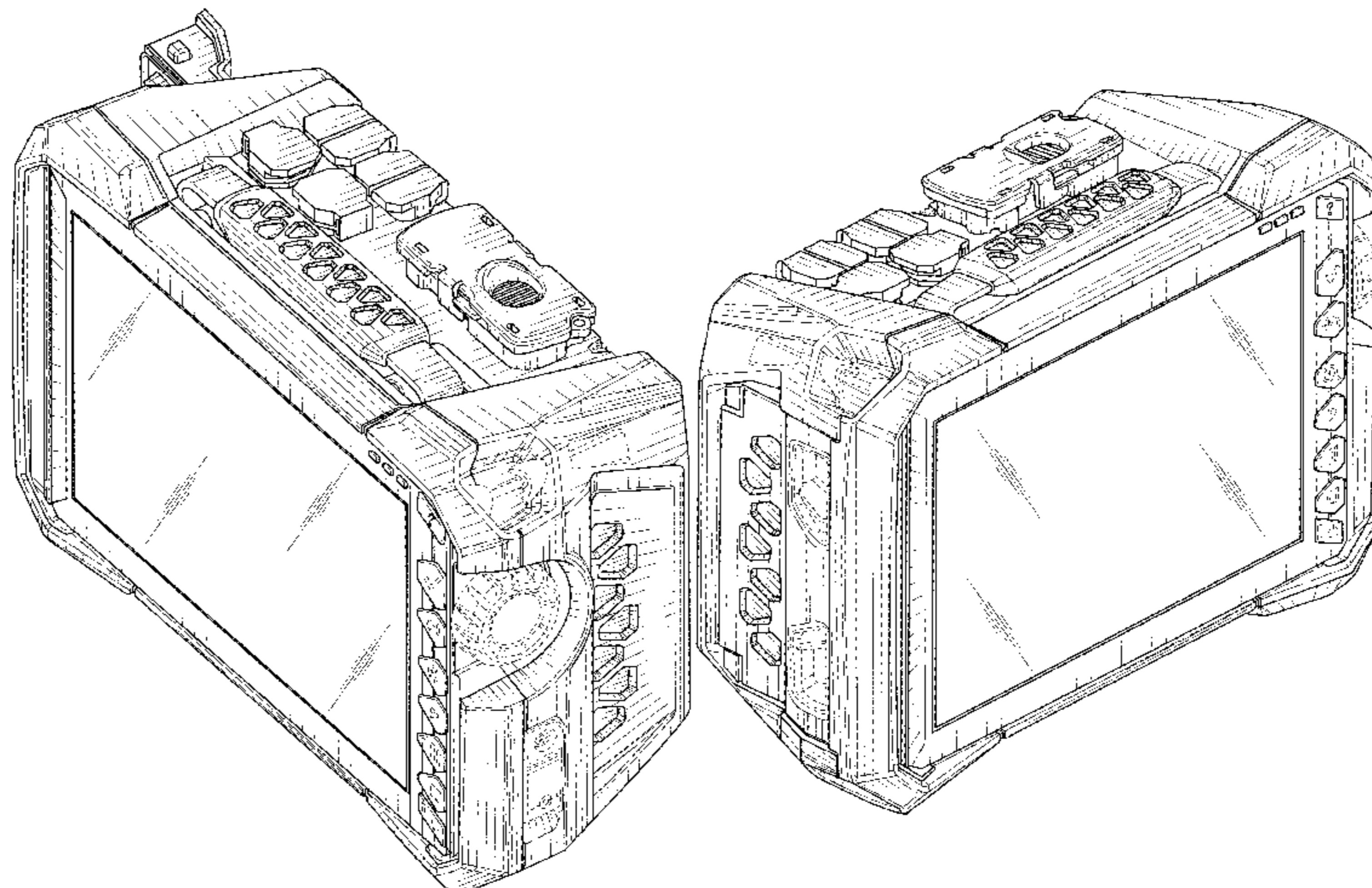
FIG. 8 is a left side view of the portable non-destructive test instrument, showing the side door in the open position.

FIG. 9 is the left side view of the portable non-destructive test instrument, showing the side door in the closed position.

FIG. 10 is a top view of the portable non-destructive test instrument, showing the side door in the open position; and,

FIG. 11 is a bottom view of the portable non-destructive test instrument, showing the side door in the open position.

(Continued)



The broken lines illustrate unclaimed or environmental subject matter, and the broken lines form no part of the claimed design.

1 Claim, 10 Drawing Sheets

(58) Field of Classification Search

CPC G01N 29/262; G01N 29/265; G01N 29/22;
G01N 29/226; G01N 2291/106; G01N
23/02; G01N 23/223; G01N 27/9006;
G01N 29/04; G01N 2291/023; G06F
8/61; G06F 8/65

See application file for complete search history.

(56) References Cited

U.S. PATENT DOCUMENTS

D739,277 S *	9/2015	Martel	D10/78
D763,712 S *	8/2016	Recoura-Massaquant	D10/78
D763,713 S *	8/2016	Martel	D10/78
D769,746 S *	10/2016	Houde	D10/78
D820,127 S *	6/2018	Kreitzer	D10/76
D909,900 S *	2/2021	Larose	D10/76

OTHER PUBLICATIONS

“U.S. Appl. No. 29/678,815, Notice of Allowance dated Oct. 7, 2020”, 7 pgs.

“U.S. Appl. No. 29/678,815, Response filed Sep. 9, 2020 to Non Final Office Action dated Jun. 9, 2020”, 6 pgs.

“Chinese Application Serial No. 201930294755.0, Response filed Mar. 3, 2020 to Notification of the First Correction dated Oct. 21, 2019”, with machine translation, 29 pgs.

* cited by examiner

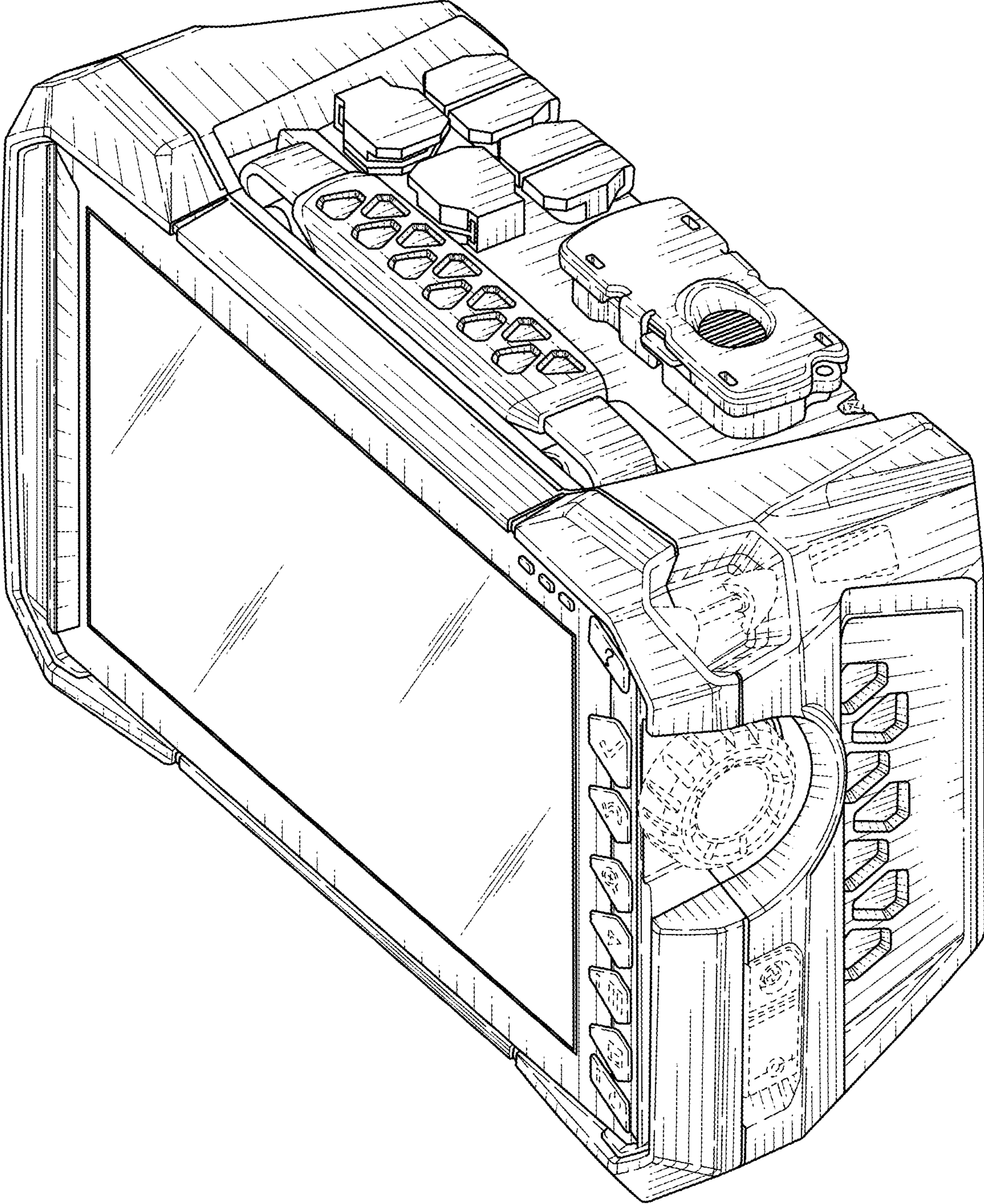


FIG. 1

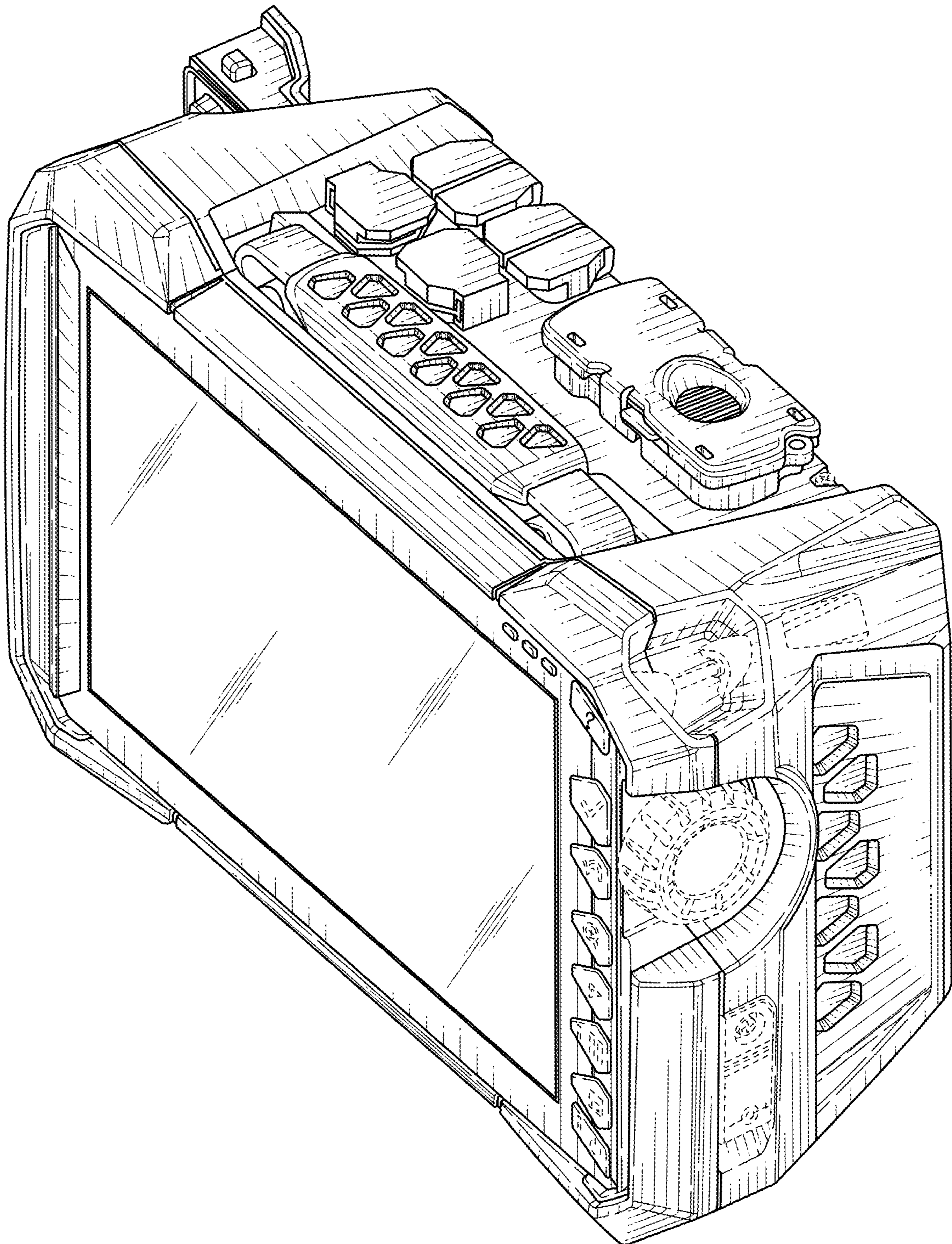


FIG. 2

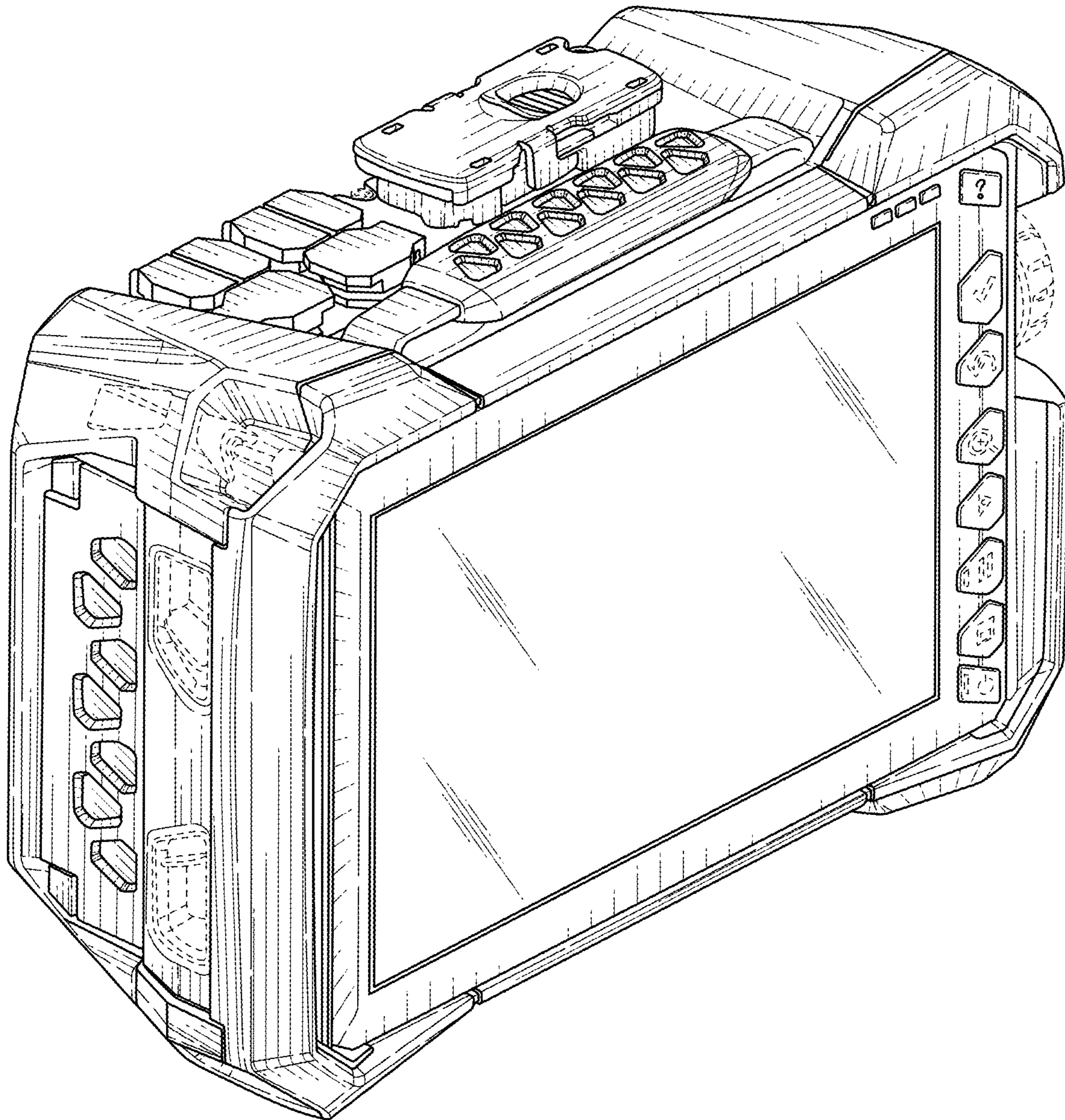


FIG. 3

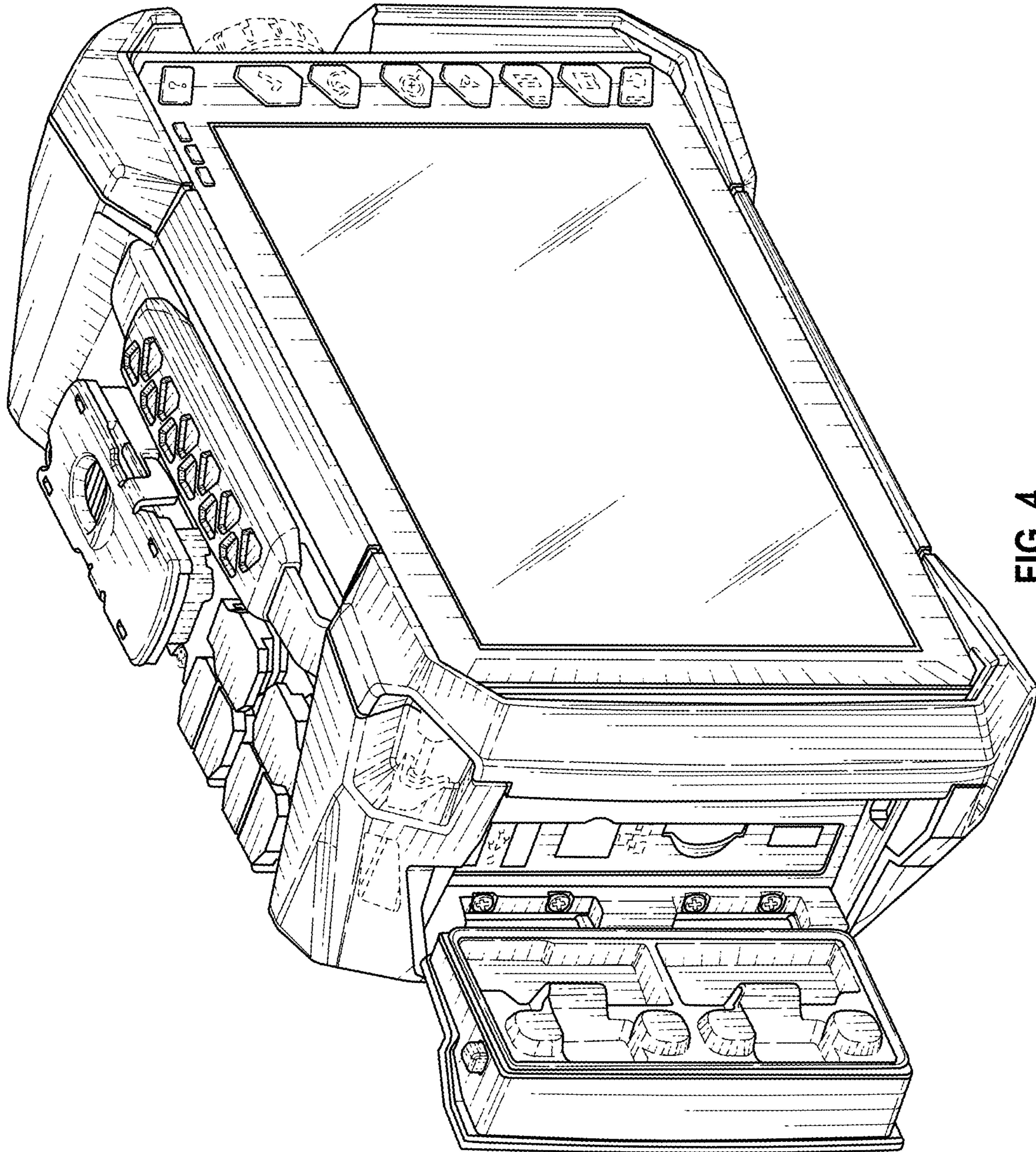


FIG. 4

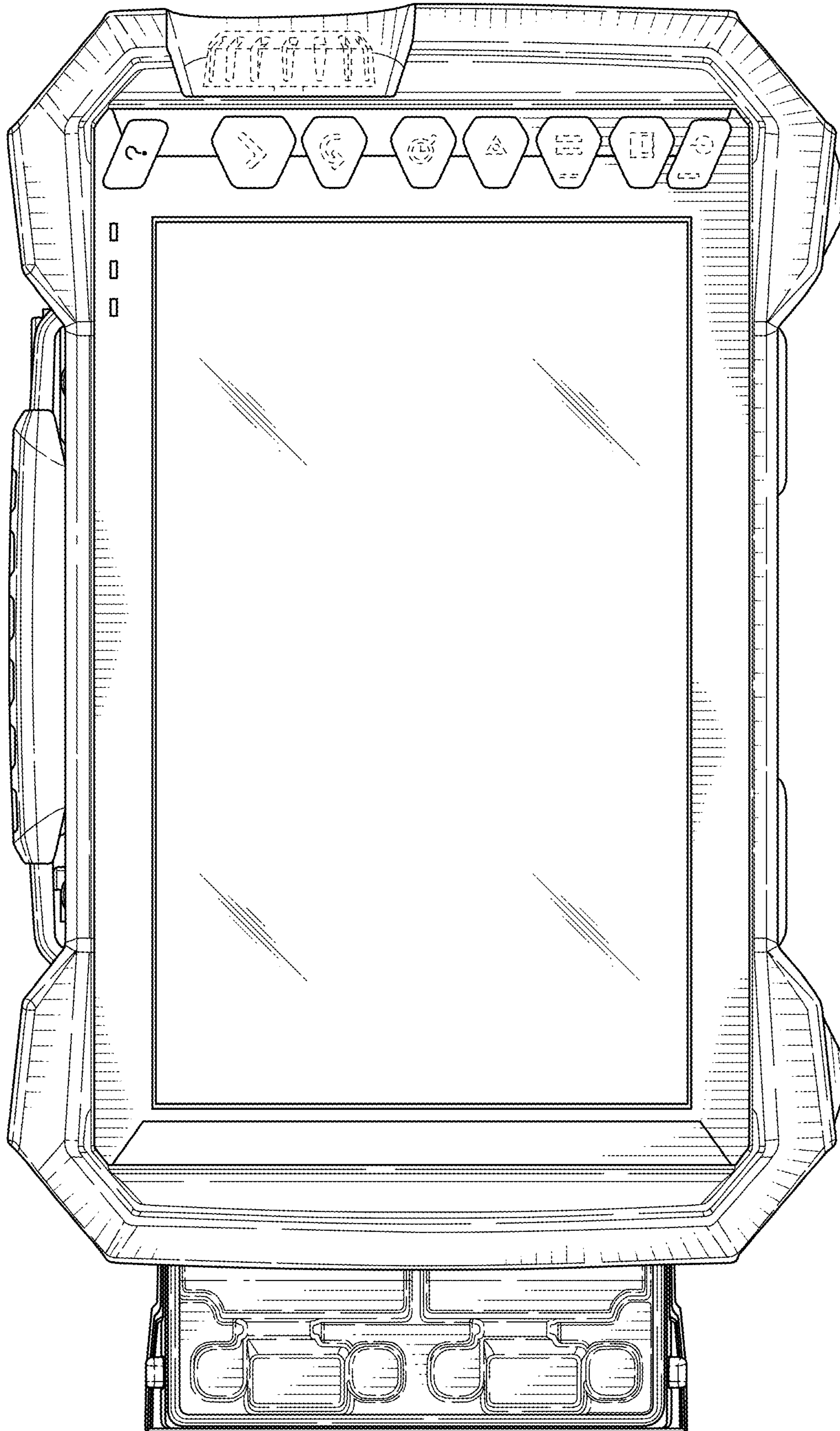


FIG. 5

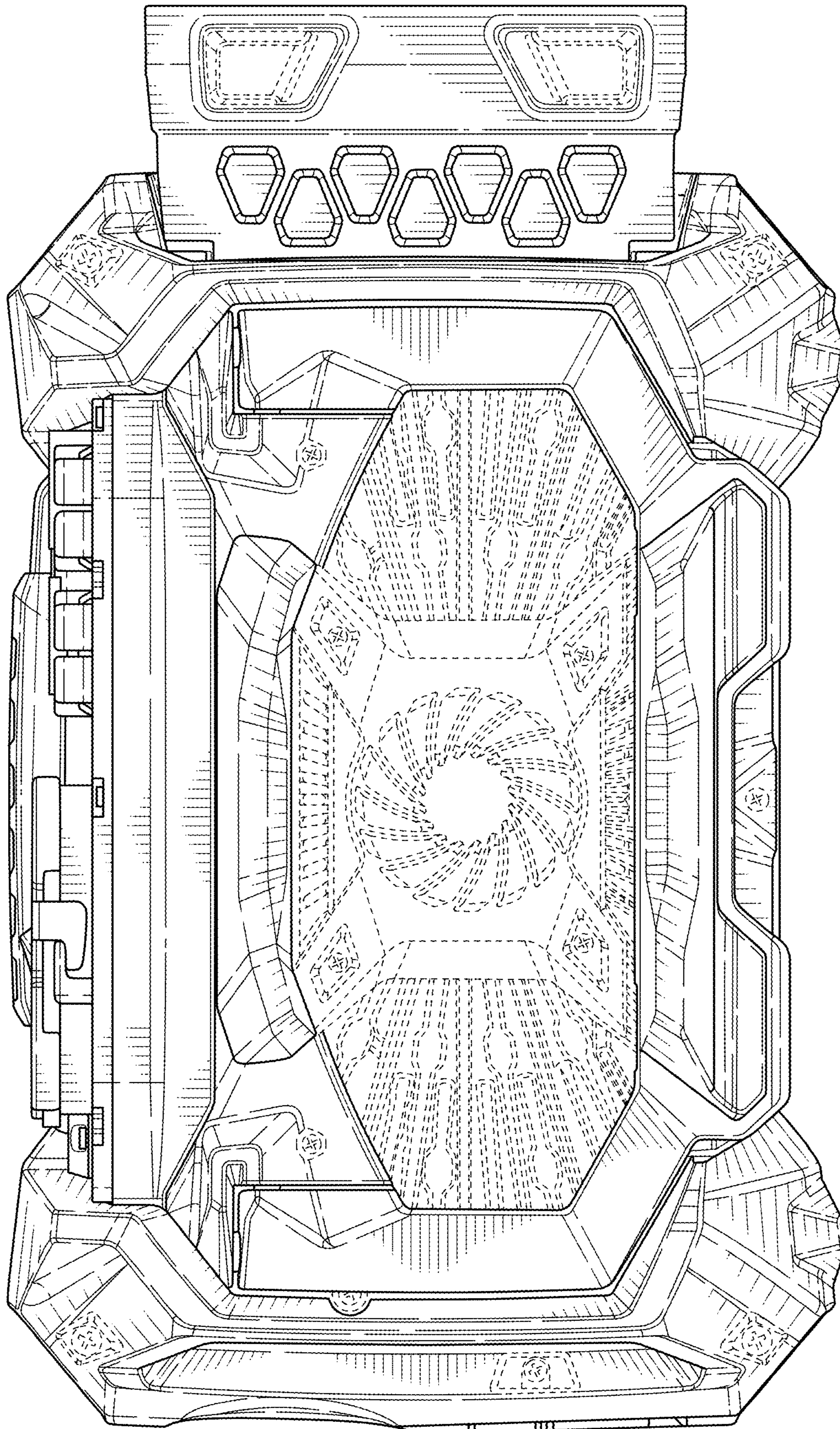


FIG. 6

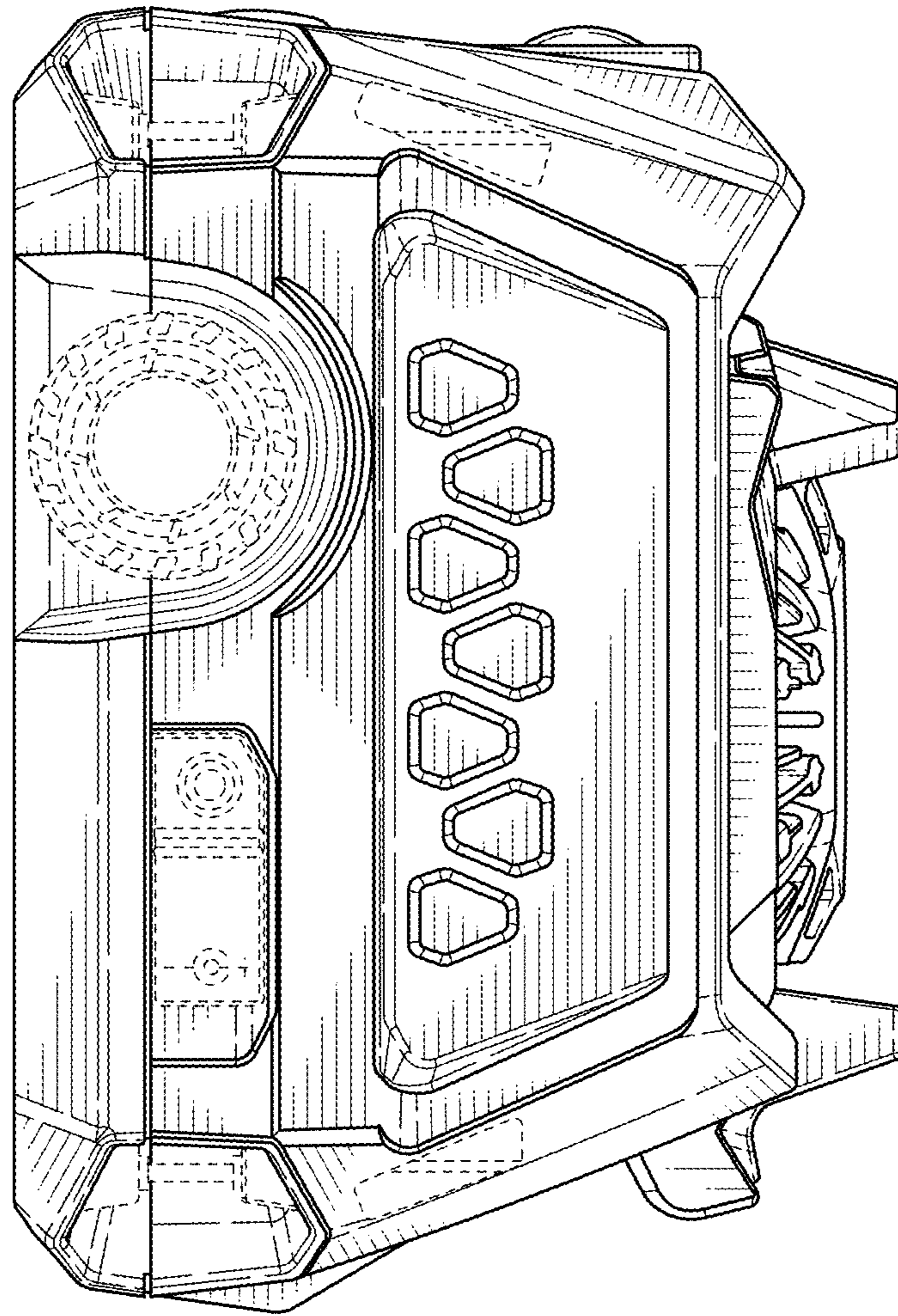


FIG. 7

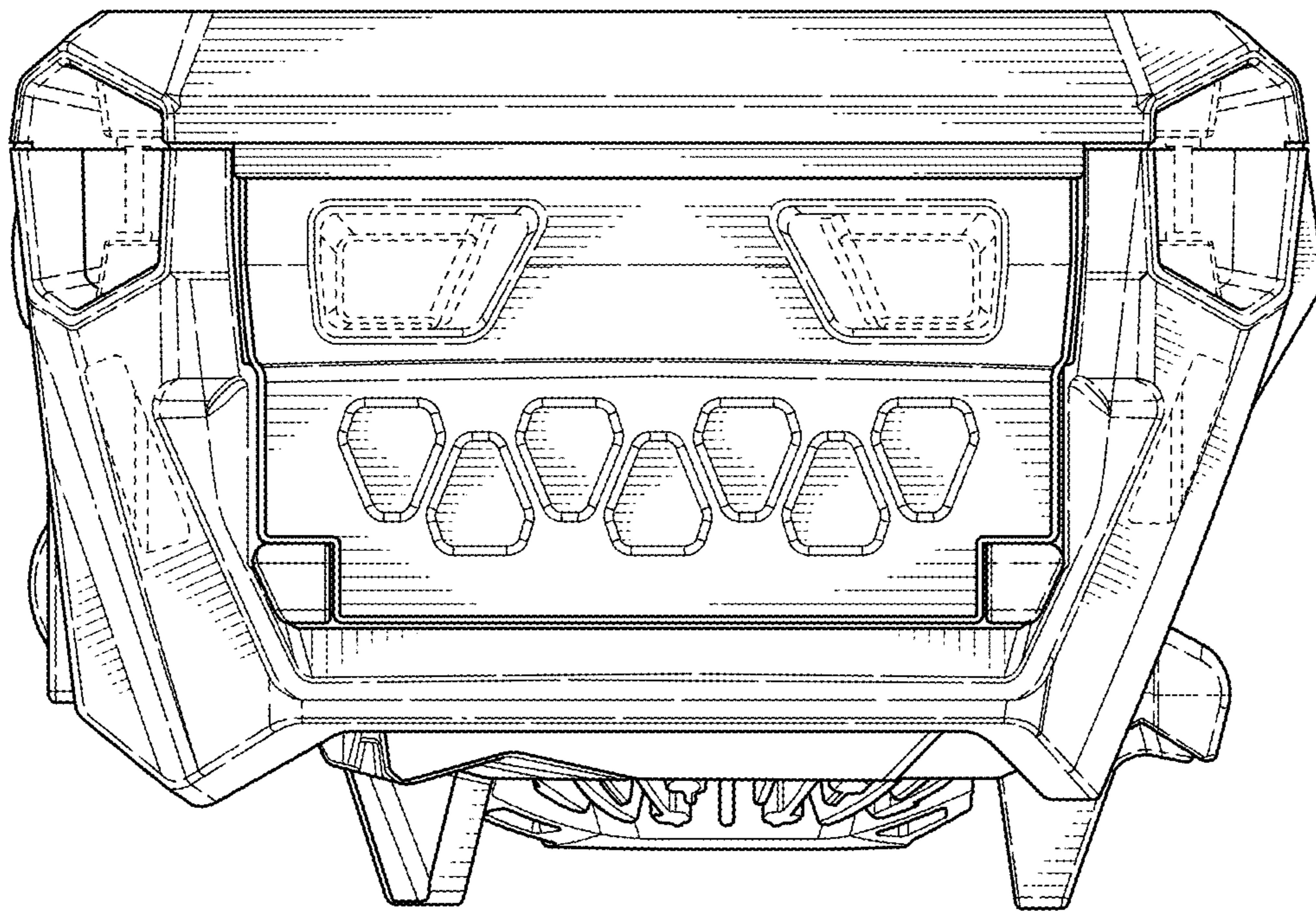


FIG. 9

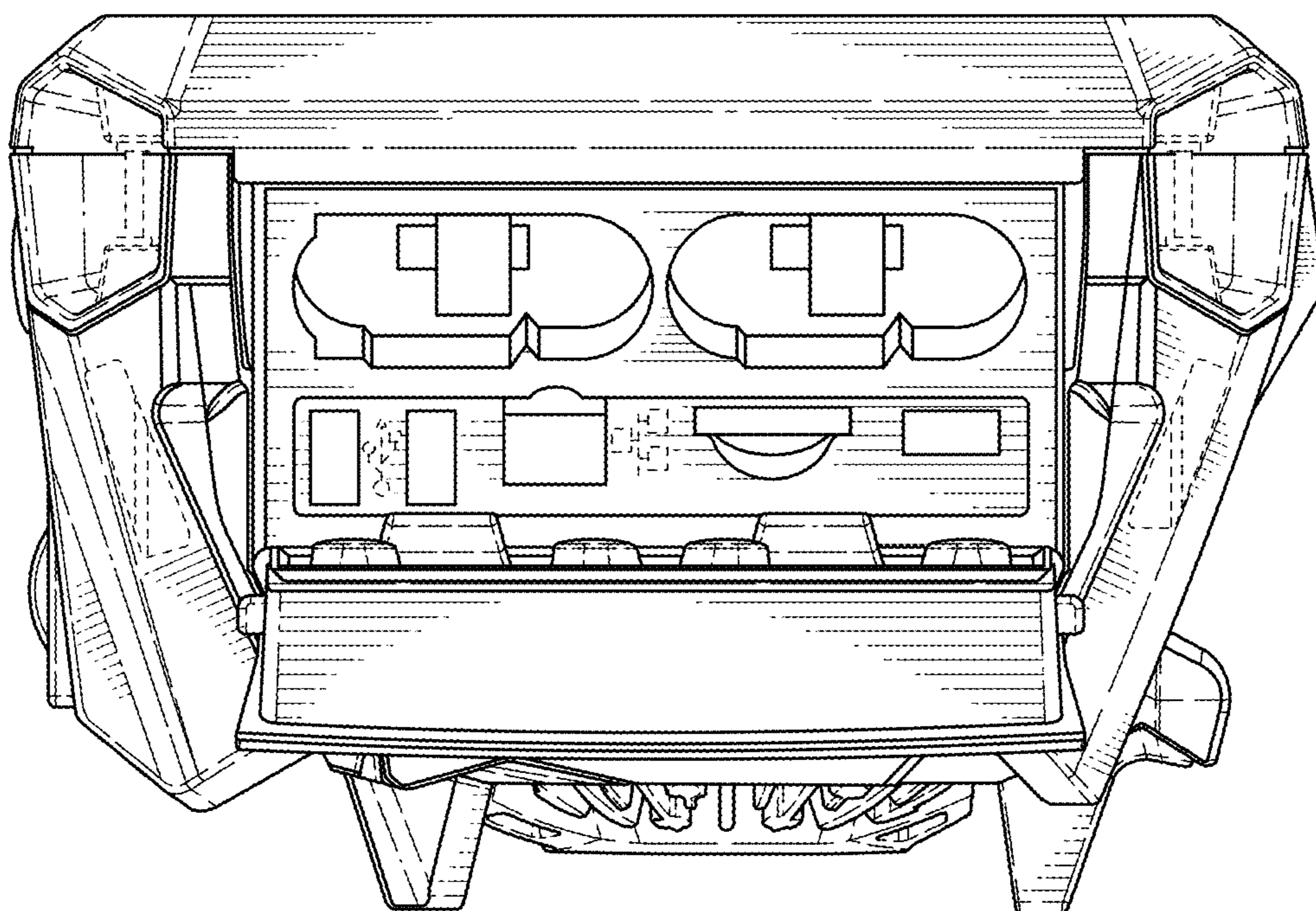


FIG. 8

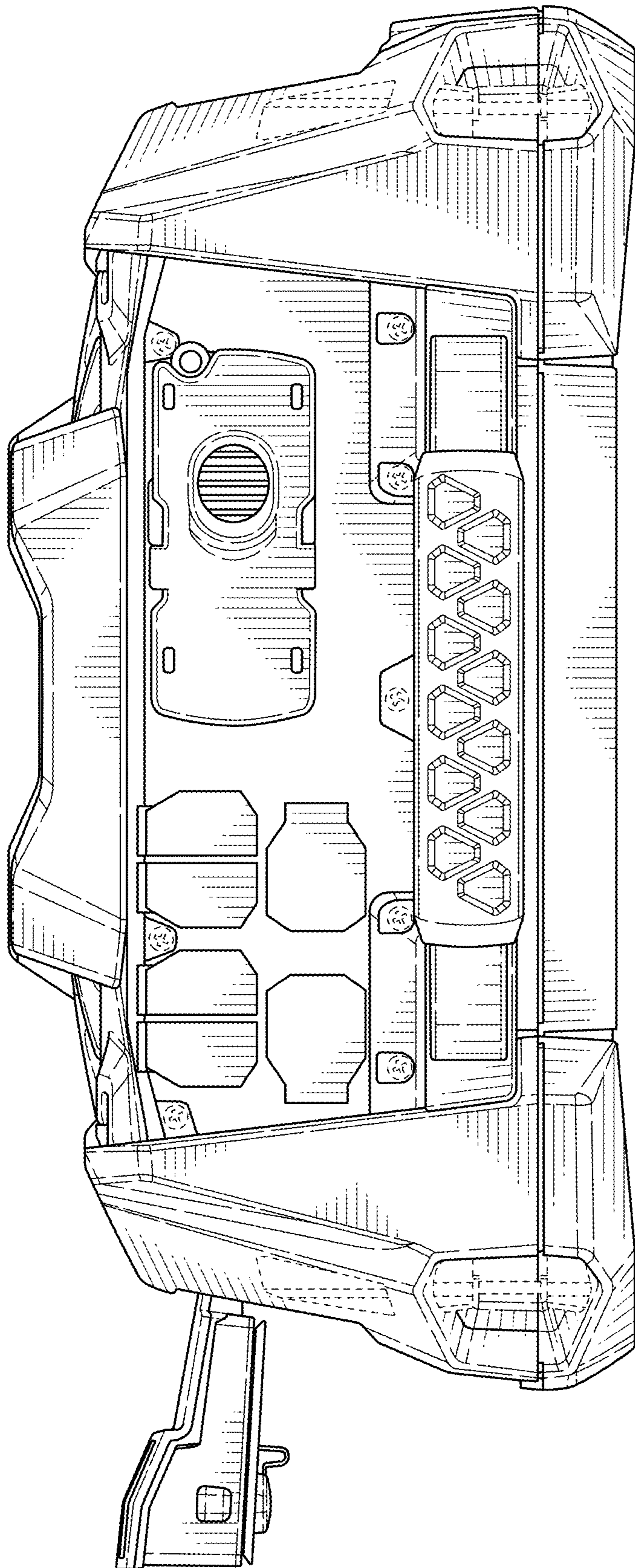


FIG. 10

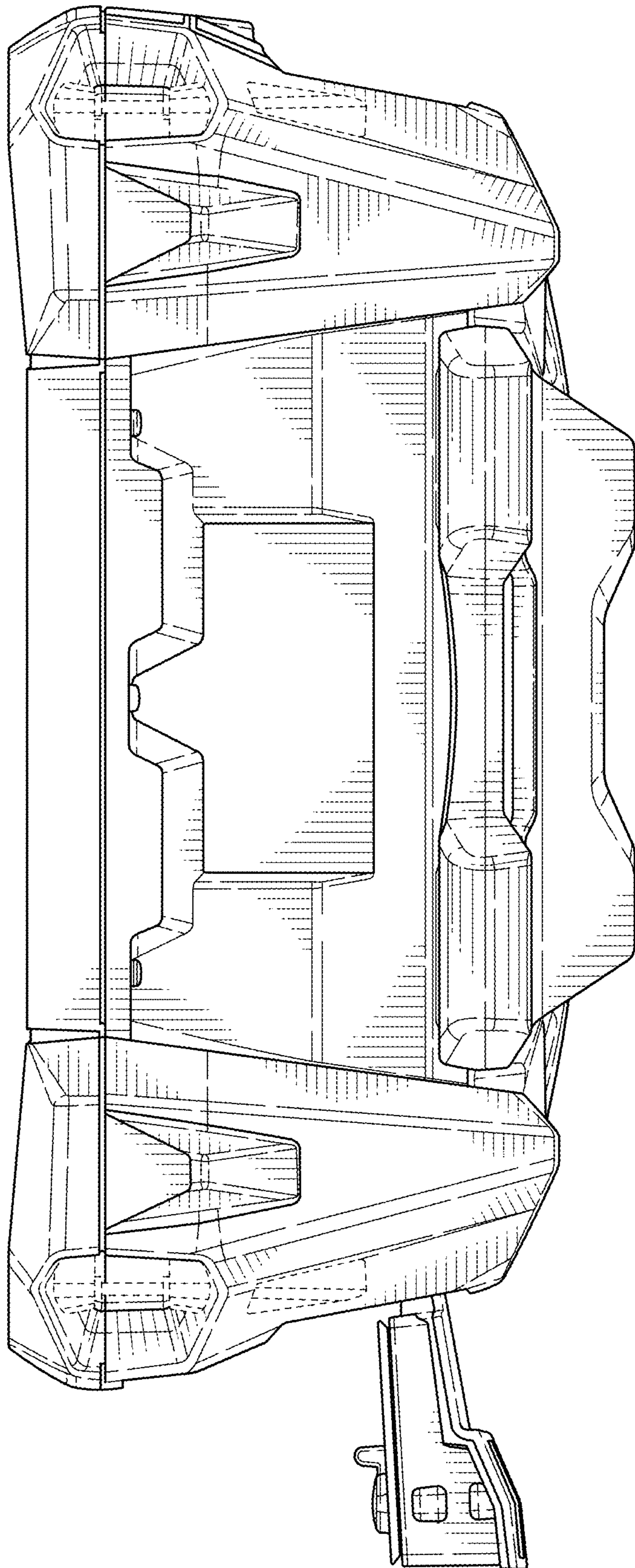


FIG. 11