



US00D969639S

(12) **United States Design Patent** (10) **Patent No.:** **US D969,639 S**
Wheaton et al. (45) **Date of Patent:** **** Nov. 15, 2022**

(54) **TRACKING DEVICE**

(71) Applicant: **Tile, Inc.**, San Mateo, CA (US)

(72) Inventors: **Christopher Sean Wheaton**, San Francisco, CA (US); **Cole Justin Derby**, East Palo Alto, CA (US); **Matthew Edward Kramer**, Los Gatos, CA (US); **Michael George Farley**, Foster City, CA (US)

(73) Assignee: **Tile, Inc.**, San Mateo, CA (US)

(**) Term: **15 Years**

(21) Appl. No.: **29/812,686**

(22) Filed: **Oct. 23, 2021**

Related U.S. Application Data

(60) Continuation of application No. 29/727,290, filed on Mar. 10, 2020, now Pat. No. Des. 937,108, which is a continuation of application No. 29/706,983, filed on Sep. 25, 2019, now Pat. No. Des. 881,048, which is a division of application No. 29/656,290, filed on Jul. 11, 2018, now Pat. No. Des. 866,371.

(51) **LOC (13) Cl.** **10-04**

(52) **U.S. Cl.**
USPC **D10/70; D10/106.9**

(58) **Field of Classification Search**

USPC D10/70, 106.9

CPC G08B 13/126; G08B 13/128; G08B 13/14;

G08B 13/1427; G08B 13/1409; G08B

13/1436; G08B 13/1445; G08B 13/1463;

G08B 13/1472; G08B 13/1481; G08B

13/149; G08B 13/2428; G08B 13/2434;

G08B 13/2437; G08B 21/24; G09F 3/18;

G09F 3/185; G09F 3/20; G09F 3/201;

G09F 3/202; G09F 3/203; G09F 3/204;

G09F 3/205; G09F 3/206; G09F 3/207;

G09F 3/208; G09F 3/005; A41D 1/02;

A44C 5/0015; A44C 5/02; A44C 5/14;

A61B 19/44; A61B 2019/446; A61B

71/00; A61B 5/02416; A61B 5/1118;

A61B 2/721; A61B 5/002; A61B 5/112;

A61B 5/1122; A61B 5/746; A61B

5/6823; A61B 5/72; A61B 5/7445; A61B

5/0022; A61B 5/14532; A63B 71/06;

A63B 26/00; A63B 24/0075; A63B

2071/0663; A63B 71/0686; A63B

(Continued)

(56) **References Cited**

U.S. PATENT DOCUMENTS

D715,667 S * 10/2014 Shigeno D10/70

D723,957 S * 3/2015 Evans D10/70

(Continued)

OTHER PUBLICATIONS

United States Office Action, U.S. Appl. No. 29/727,290, dated Aug. 6, 2021, 6 pages.

Primary Examiner — Antoine Duval Davis

(74) *Attorney, Agent, or Firm* — Fenwick & West LLP

(57) **CLAIM**

The ornamental design for a tracking device, as shown and described.

DESCRIPTION

FIG. 1 is a top, front, and right side perspective view of a tracking device;

FIG. 2 is a bottom, rear, and left side perspective view thereof;

FIG. 3 is a front elevational view thereof;

FIG. 4 is a rear elevational view thereof;

FIG. 5 is a left side elevational view thereof;

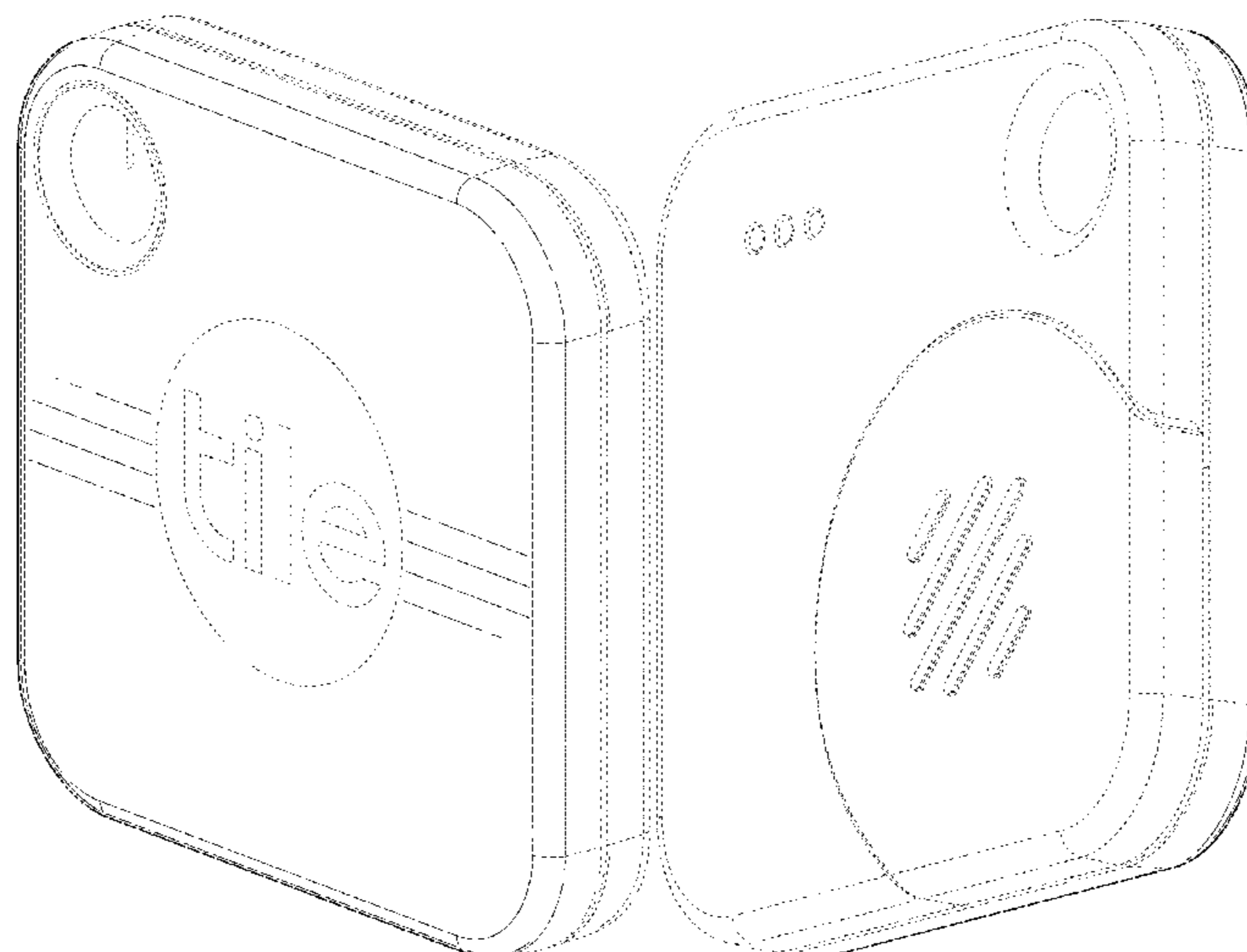
FIG. 6 is a right side elevational view thereof;

FIG. 7 is a top plan view thereof; and,

FIG. 8 is a bottom plan view thereof.

The broken lines in the drawings showing portions of the tracking device are included for the purpose of illustrating environmental structure and form no part of the claimed design.

1 Claim, 8 Drawing Sheets



(58) **Field of Classification Search**

CPC 24/0062; A63B 24/0084; A63B 2024/0068;
 A63B 2024/0078; A63B 2024/0056;
 A63B 2071/0625; A63B 2071/003; A63B
 2071/063; A63B 2071/065; A63B
 2071/068; A63B 2071/0675; A63B
 2220/40; A63B 2220/803; A63B 2220/12;
 A63B 2220/20; A63B 2220/22; A63B
 2220/30; A63B 2225/50; A63B 2225/02;
 A63B 2225/06; A63B 2230/75; A63B
 2024/0065; A63B 2024/0081; A63B
 2220/51; A63B 2220/62; A63B 2220/836;
 G06F 1/163; G06F 3/038; G06F 3/03547;
 G04G 17/00; G04G 17/08; G04G 17/04;
 G04G 21/02; G04G 21/00; G04G 21/08;
 G04B 37/1486; G06Q 10/00; G06Q
 50/00; G09B 9/00; G09B 19/00; G04F
 10/00

See application file for complete search history.

(56) **References Cited**

U.S. PATENT DOCUMENTS

9,134,768 B2 9/2015 Yoon
 9,183,719 B2 11/2015 Gouge et al.

D748,507 S 2/2016 Evans et al.
 D790,996 S 7/2017 Farley et al.
 D801,200 S 10/2017 Farley et al.
 D804,971 S * 12/2017 Heikkilä D10/70
 D817,198 S 5/2018 Farley et al.
 D817,199 S * 5/2018 Farley D10/70
 D819,469 S * 6/2018 Farley D10/70
 D837,073 S * 1/2019 Behar D10/70
 D837,671 S * 1/2019 Behar D10/70
 D842,724 S * 3/2019 Vandenbussche D10/70
 D854,433 S * 7/2019 Vandenbussche D10/70
 D856,174 S * 8/2019 Behar D10/70
 D859,187 S * 9/2019 Behar D10/70
 D864,767 S * 10/2019 Vandenbussche D10/70
 D866,370 S * 11/2019 Wheaton D10/70
 D866,371 S * 11/2019 Wheaton D10/70
 D871,240 S * 12/2019 Burns D10/70
 D876,255 S * 2/2020 Möller D10/70
 D879,627 S * 3/2020 Behar D10/70
 D880,320 S * 4/2020 Behar D10/70
 D881,048 S * 4/2020 Wheaton D10/70
 D881,729 S * 4/2020 Wheaton D10/70
 D894,023 S * 8/2020 Barber D10/70
 D923,496 S * 6/2021 Wheaton D10/70
 D935,916 S * 11/2021 Wheaton D10/70
 D935,918 S * 11/2021 Wheaton D10/70
 D937,108 S * 11/2021 Wheaton D10/70
 D946,440 S * 3/2022 Chen D10/70

* cited by examiner



FIG. 1

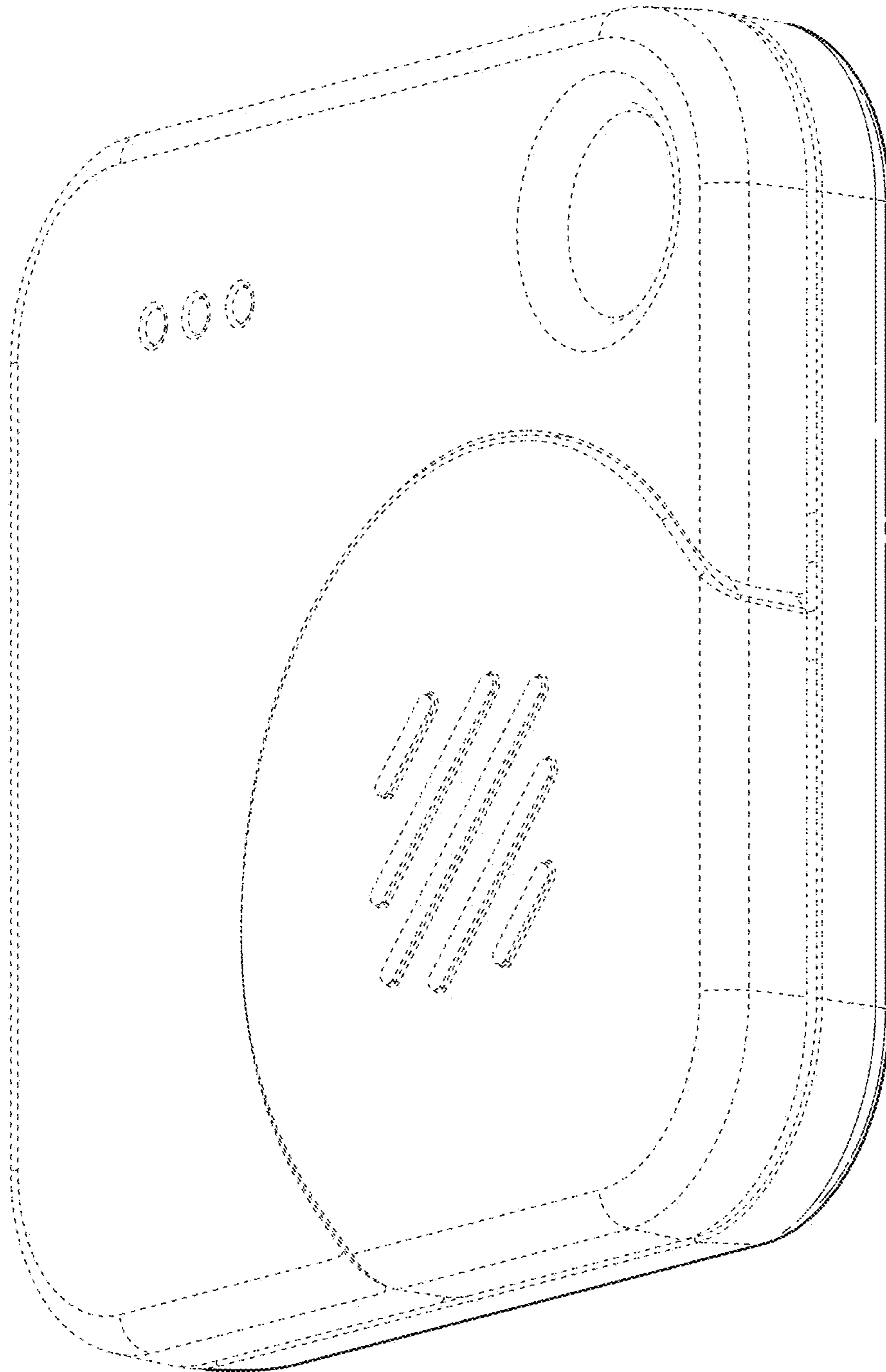


FIG. 2

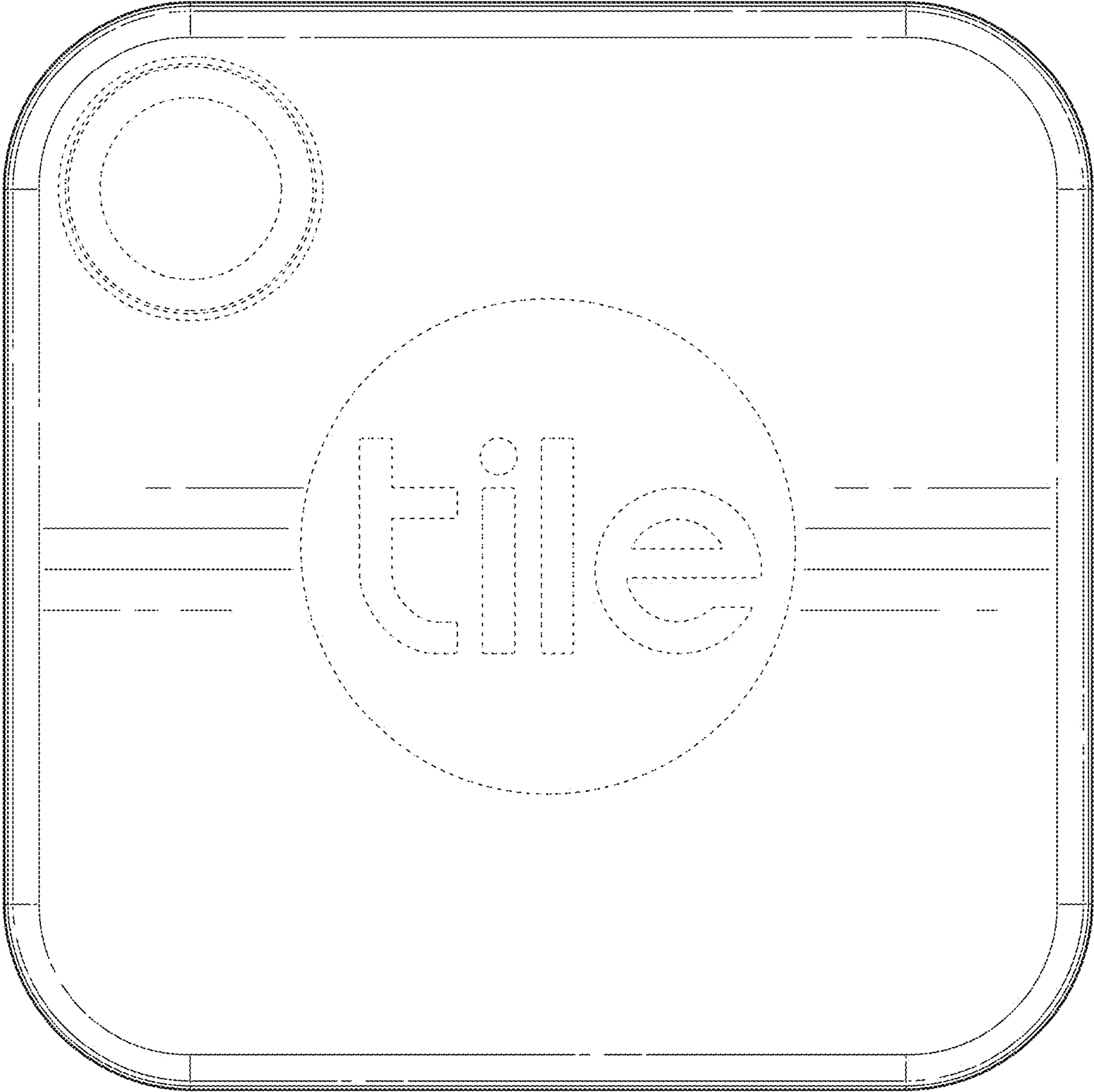


FIG. 3

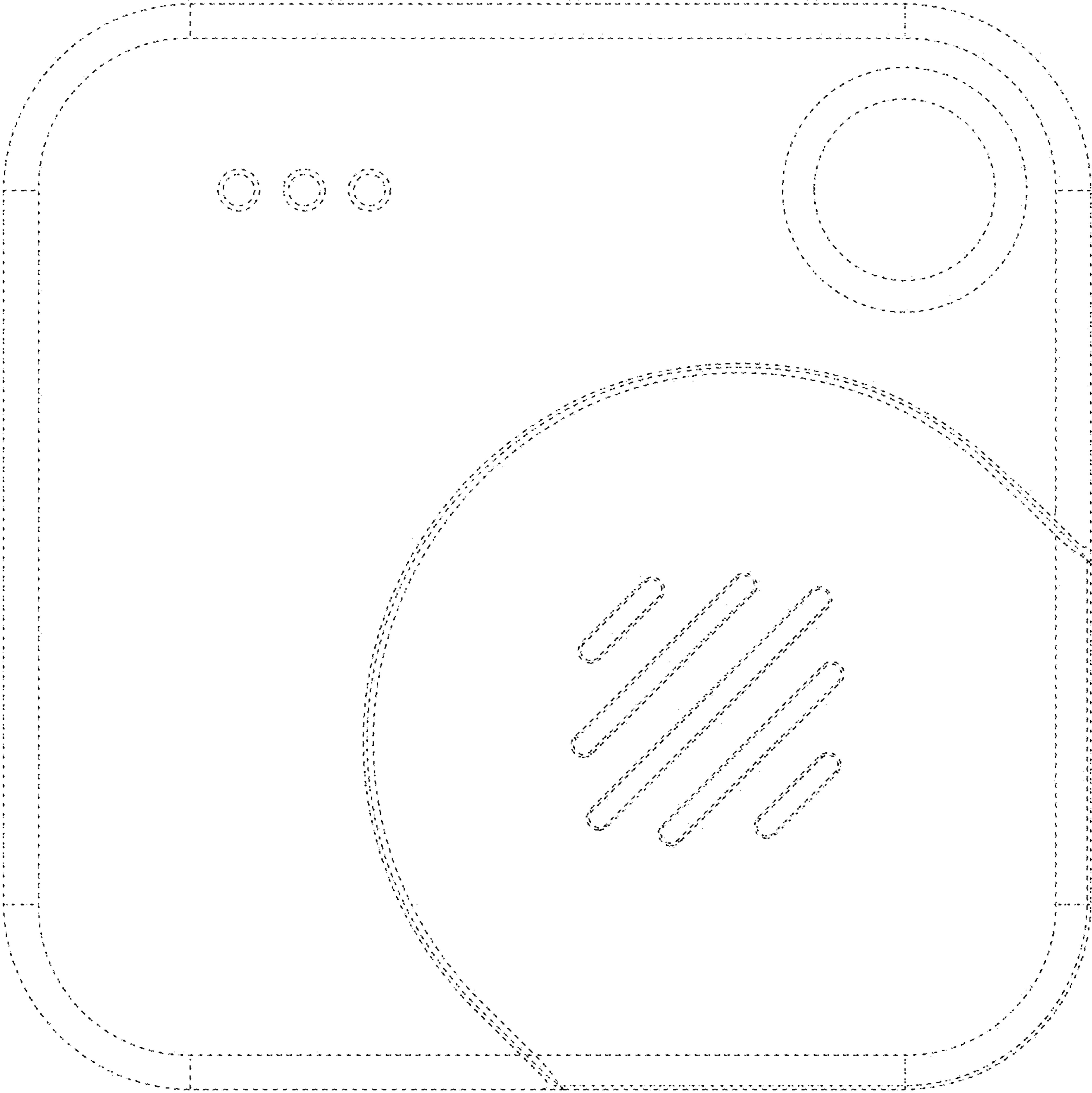


FIG. 4

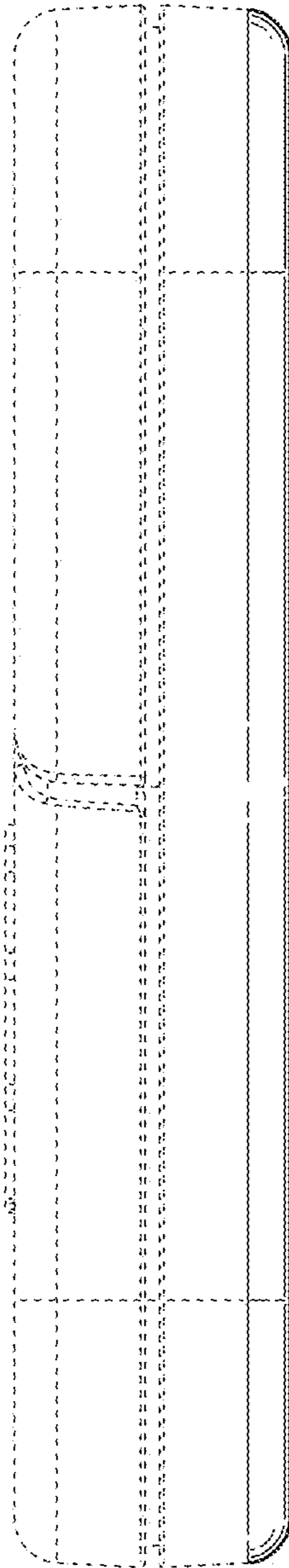


FIG. 5

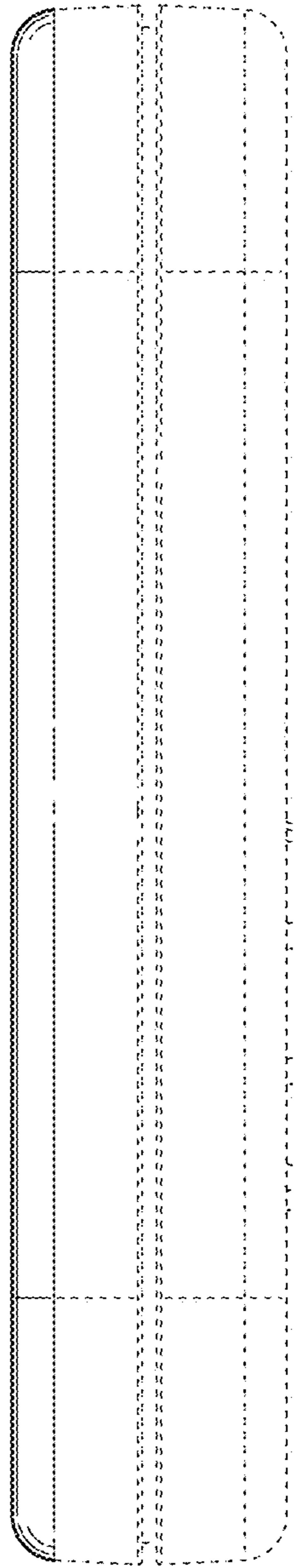


FIG. 6

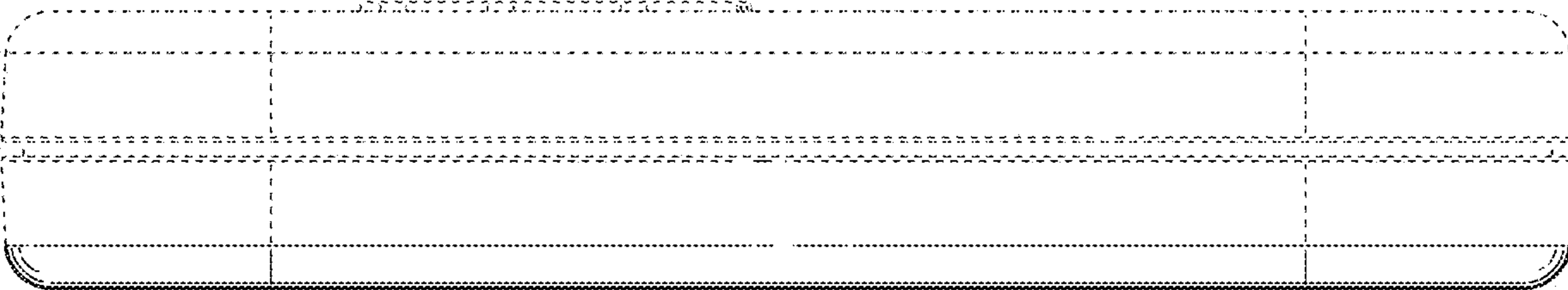


FIG. 7

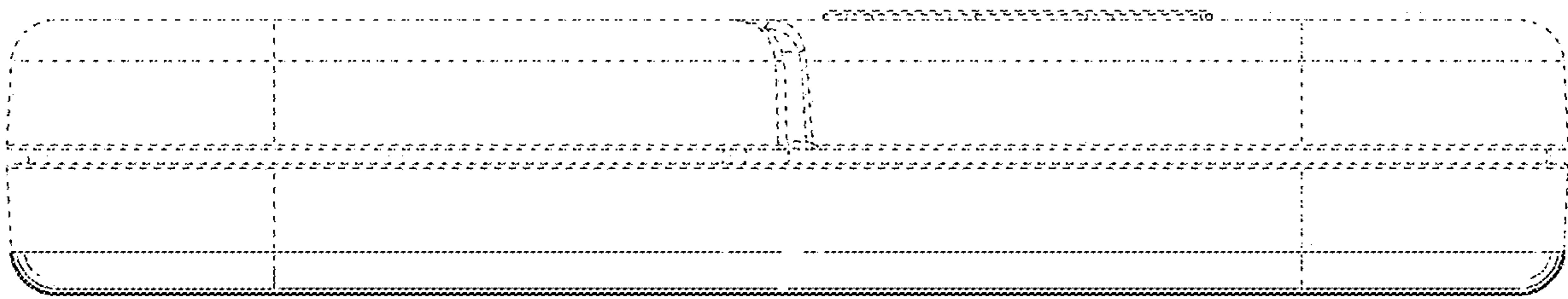


FIG. 8