



US00D969638S

(12) **United States Design Patent**
Umair et al.

(10) **Patent No.:** **US D969,638 S**

(45) **Date of Patent:** **** *Nov. 15, 2022**

(54) **TRACKING DEVICE**

(71) Applicant: **Tile, Inc.**, San Mateo, CA (US)

(72) Inventors: **Muhammad Umair**, Pleasanton, CA (US); **Matthew Edward Kramer**, Los Gatos, CA (US); **Christopher Sean Wheaton**, San Francisco, CA (US)

(73) Assignee: **Tile, Inc.**, San Mateo, CA (US)

(*) Notice: This patent is subject to a terminal disclaimer.

(**) Term: **15 Years**

(21) Appl. No.: **29/811,958**

(22) Filed: **Oct. 18, 2021**

Related U.S. Application Data

(63) Continuation of application No. 29/776,471, filed on Mar. 30, 2021, now Pat. No. Des. 936,505, which is (Continued)

(51) **LOC (13) Cl.** **10-04**

(52) **U.S. Cl.**
USPC **D10/70; D10/106.6**

(58) **Field of Classification Search**
USPC D10/70, 106.9
CPC G08B 13/126; G08B 13/128; G08B 13/14; G08B 13/1427; G08B 13/1409; G08B 13/1436; G08B 13/1445; G08B 13/1463; G08B 13/1472; G08B 13/1481; G08B 13/149; G08B 13/2428; G08B 13/2434; G08B 13/2437; G08B 21/24; G09F 3/18; G09F 3/185; G09F 3/20; G09F 3/201; G09F 3/202; G09F 3/203; G09F 3/204; G09F 3/205; G09F 3/206; G09F 3/207; G09F 3/208; G09F 3/005; A41D 1/02; A44C 5/0015; A44C 5/02; A44C 5/14; A61B 19/44; A61B 2019/446; A61B 71/00; A61B 5/02416; A61B 5/1118; A61B 2/721; A61B 5/002; A61B 5/112; A61B 5/1122; A61B 5/746; A61B

5/6823; A61B 5/72; A61B 5/7445; A61B 5/0022; A61B 5/14532; A63B 71/06; A63B 26/00; A63B 24/0075; A63B 2071/0663; A63B 71/0686; A63B 24/0062; A63B 24/0084; A63B 2024/0068; A63B 2024/0078; A63B 2024/0056; A63B

(Continued)

(56) **References Cited**

U.S. PATENT DOCUMENTS

D618,121 S * 6/2010 Penix D10/106.9
D700,080 S * 2/2014 Broadbent D10/70

(Continued)

OTHER PUBLICATIONS

United States Office Action, U.S. Appl. No. 29/776,471, dated Aug. 6, 2021, six pages.

Primary Examiner — Antoine Duval Davis

(74) *Attorney, Agent, or Firm* — Fenwick & West LLP

(57) **CLAIM**

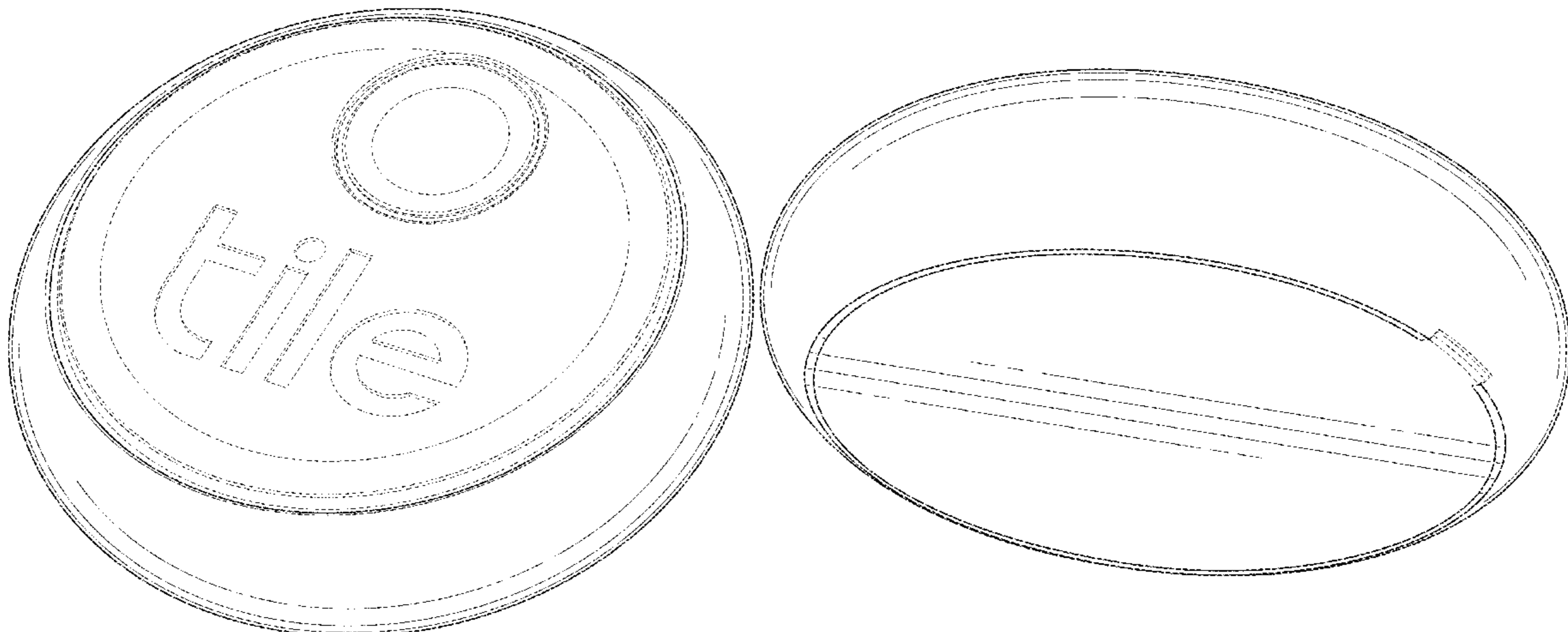
The ornamental design for a tracking device, as shown and described.

DESCRIPTION

FIG. 1 is a front perspective view of a tracking device; FIG. 2 is a rear perspective view thereof; FIG. 3 is a top plan view thereof; FIG. 4 is a bottom plan view thereof; FIG. 5 is a left side elevational view thereof; FIG. 6 is a right side elevational view thereof; FIG. 7 is a front elevational view thereof; and, FIG. 8 is a rear elevational view thereof.

The broken lines in the drawings showing portions of the tracking device are included for the purpose of illustrating environmental structure and form no part of the claimed design.

1 Claim, 8 Drawing Sheets



Related U.S. Application Data

a continuation of application No. 29/693,066, filed on May 30, 2019, now Pat. No. Des. 918,072.

(58) **Field of Classification Search**

CPC 2071/0625; A63B 2071/003; A63B 2071/063; A63B 2071/065; A63B 2071/068; A63B 2071/0675; A63B 2220/40; A63B 2220/803; A63B 2220/12; A63B 2220/20; A63B 2220/22; A63B 2220/30; A63B 2225/50; A63B 2225/02; A63B 2225/06; A63B 2230/75; A63B 2024/0065; A63B 2024/0081; A63B 2220/51; A63B 2220/62; A63B 2220/836; G06F 1/163; G06F 3/038; G06F 3/03547; G04G 17/00; G04G 17/08; G04G 17/04; G04G 21/02; G04G 21/00; G04G 21/08; G04B 37/1486; G06Q 10/00; G06Q 50/00; G09B 9/00; G09B 19/00; G04F 10/00

See application file for complete search history.

(56) **References Cited**

U.S. PATENT DOCUMENTS

D723,957 S 3/2015 Evans et al.

9,134,768 B2 9/2015 Yoon
 9,183,719 B2 11/2015 Gouge et al.
 D786,724 S * 5/2017 Seagle, Jr. D10/70
 D790,372 S * 6/2017 Daoura D10/104.1
 D790,373 S * 6/2017 Daoura D10/104.1
 D796,355 S * 9/2017 Cho B60Q 9/00
 D10/70
 D818,385 S 5/2018 Barovic
 D826,748 S * 8/2018 Kim G01R 33/02
 D10/70
 10,070,248 B2 * 9/2018 Elkehag G08B 21/0272
 D838,855 S * 1/2019 Lumme G08B 21/0272
 D10/70
 D856,174 S 8/2019 Behar et al.
 D859,187 S 9/2019 Behar et al.
 D866,370 S 11/2019 Wheaton et al.
 D866,371 S 11/2019 Wheaton et al.
 D918,072 S * 5/2021 Umair D10/70
 D920,143 S * 5/2021 Painter D10/70
 11,043,086 B1 * 6/2021 Daoura G08B 21/24
 D928,150 S * 8/2021 Maruyama D21/333
 D936,505 S * 11/2021 Umair D10/70
 D939,979 S * 1/2022 Fu D10/70
 2019/0389329 A1 * 12/2019 Sherf B60Q 9/00
 2020/0388126 A1 * 12/2020 Yang G01R 33/02
 2021/0274315 A1 * 9/2021 Daoura H04L 67/306

* cited by examiner

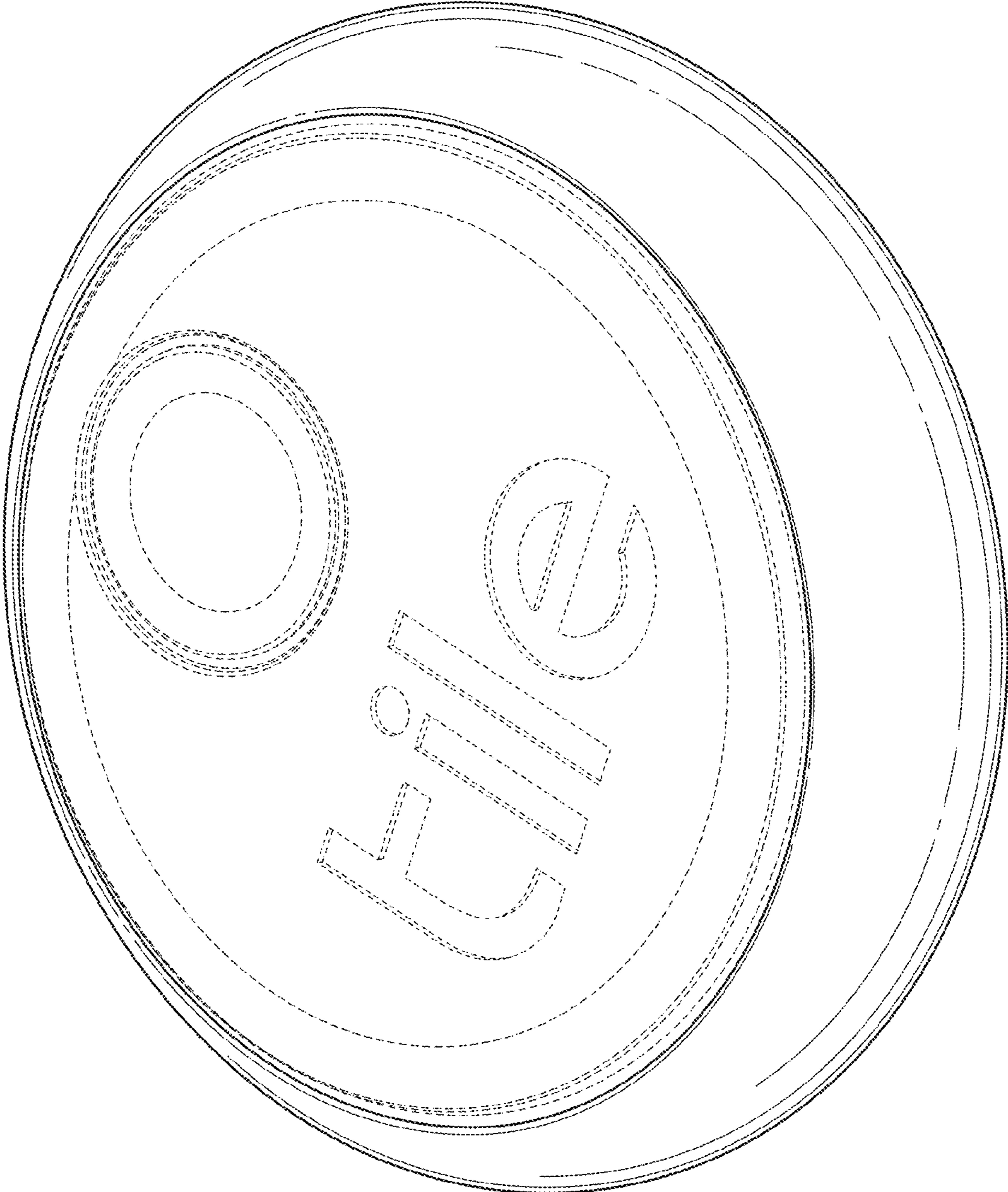


FIG. 1

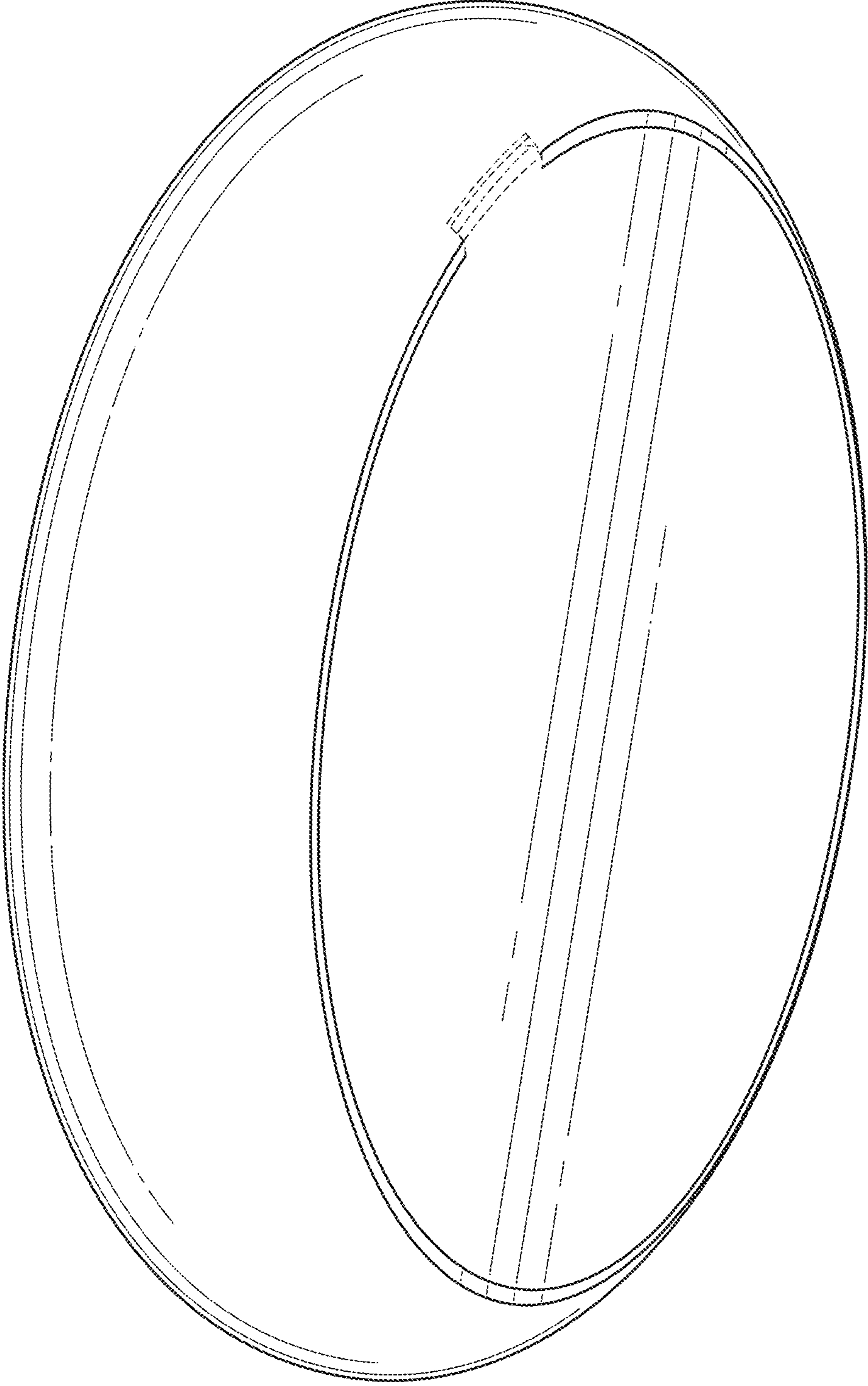


FIG. 2

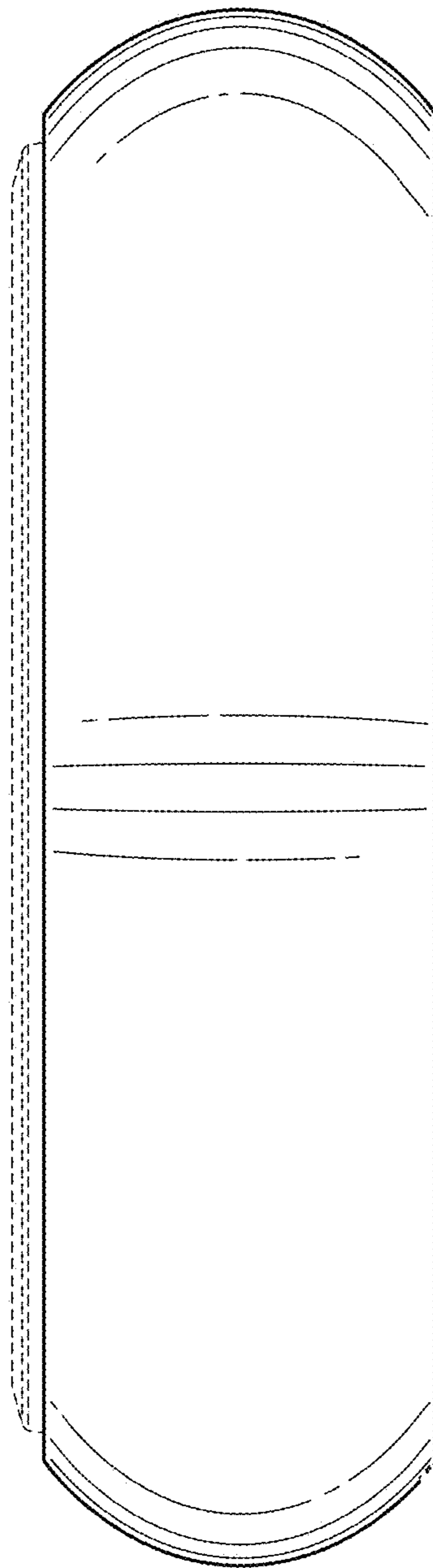


FIG. 3

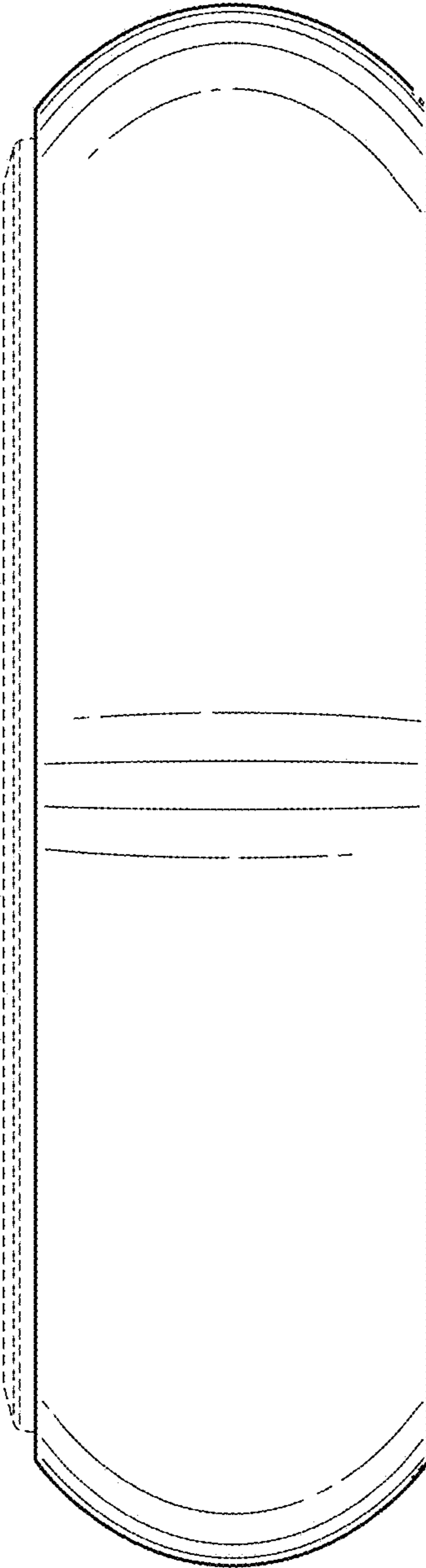


FIG. 4

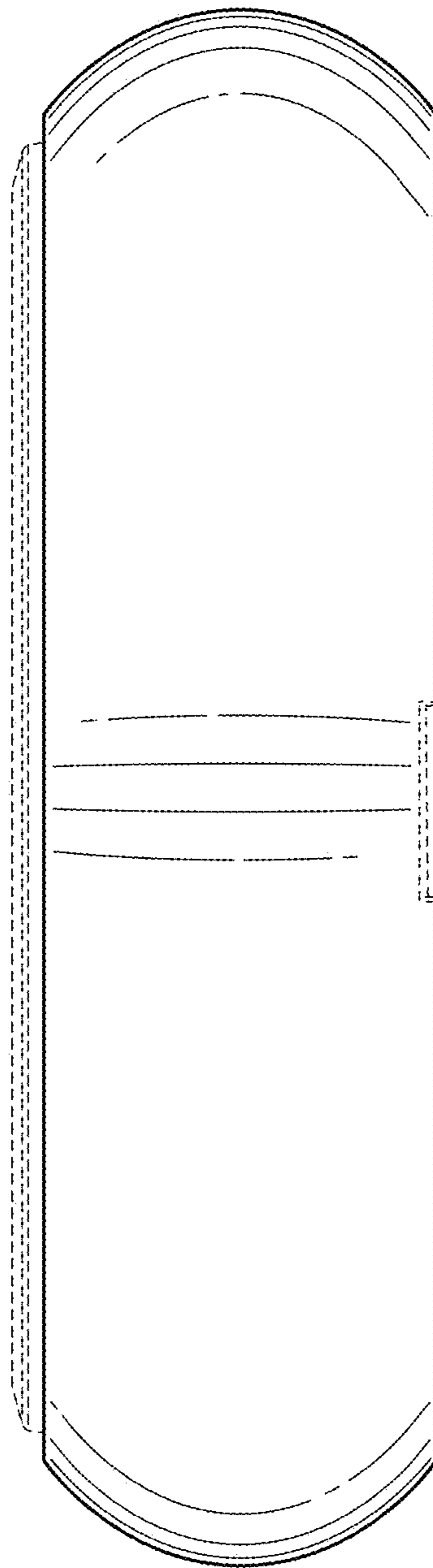


FIG. 5

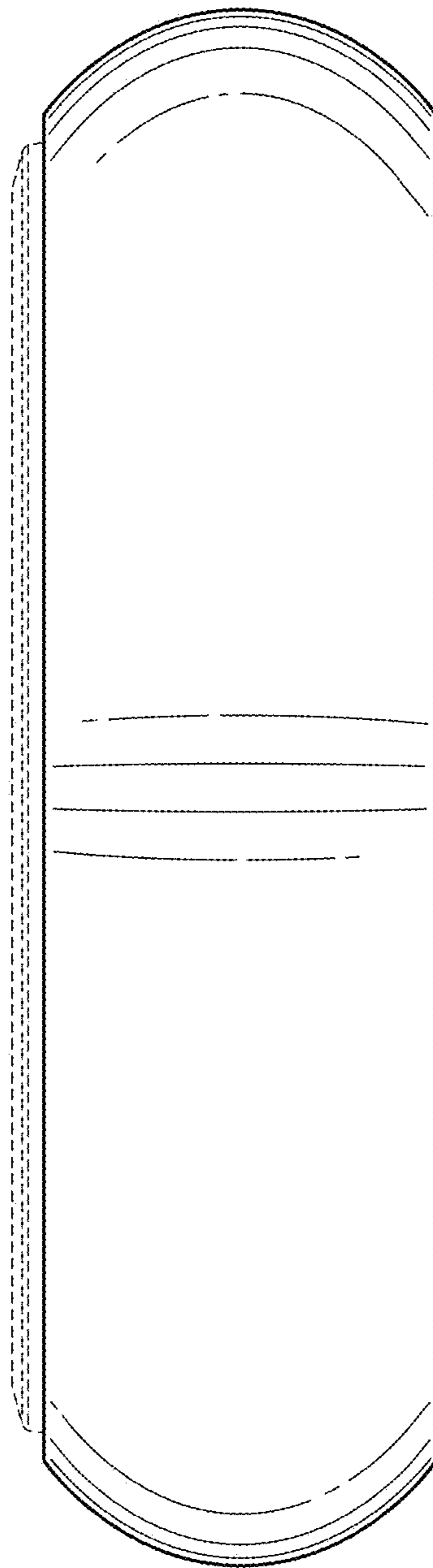


FIG. 6

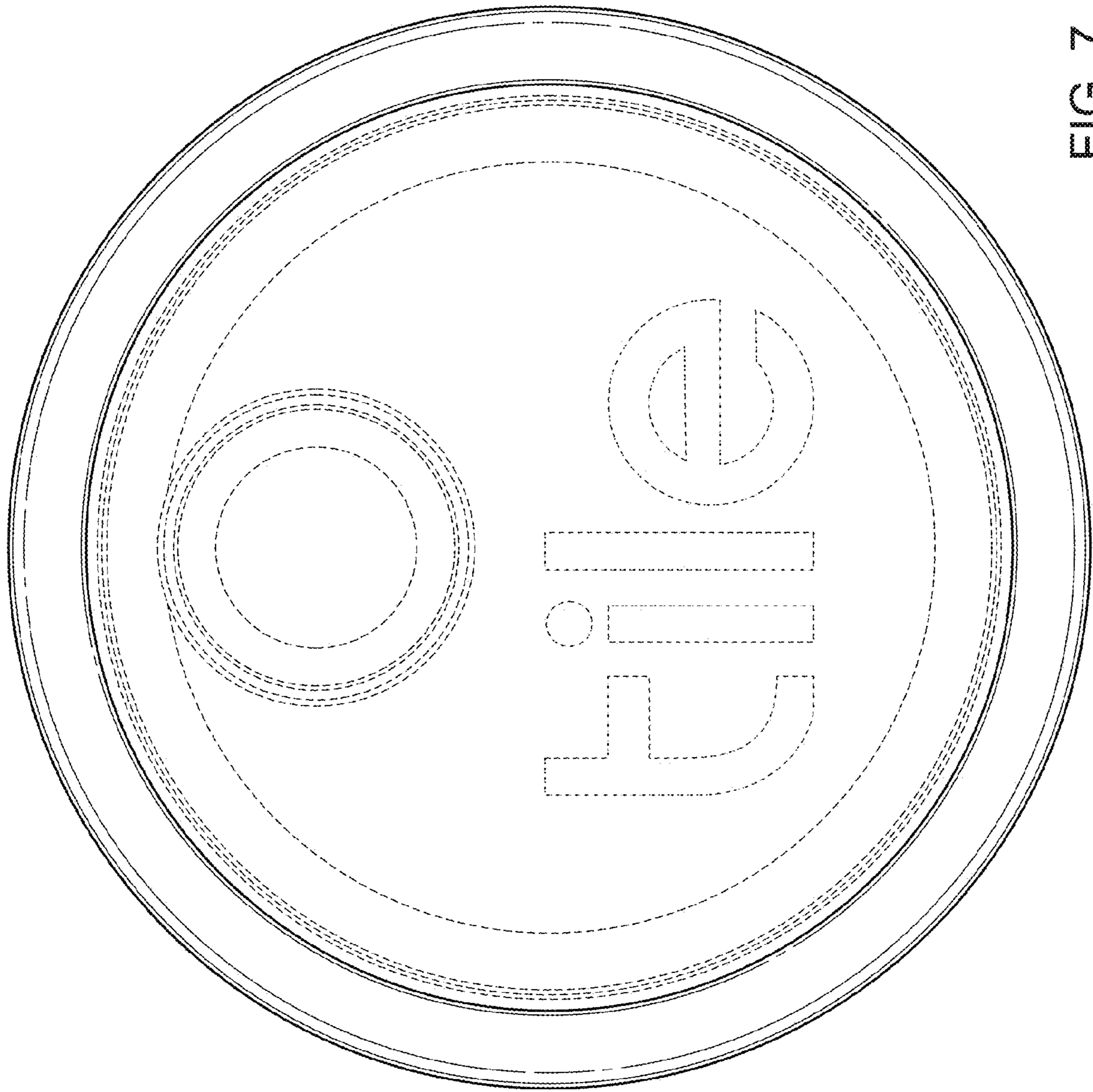


FIG. 7

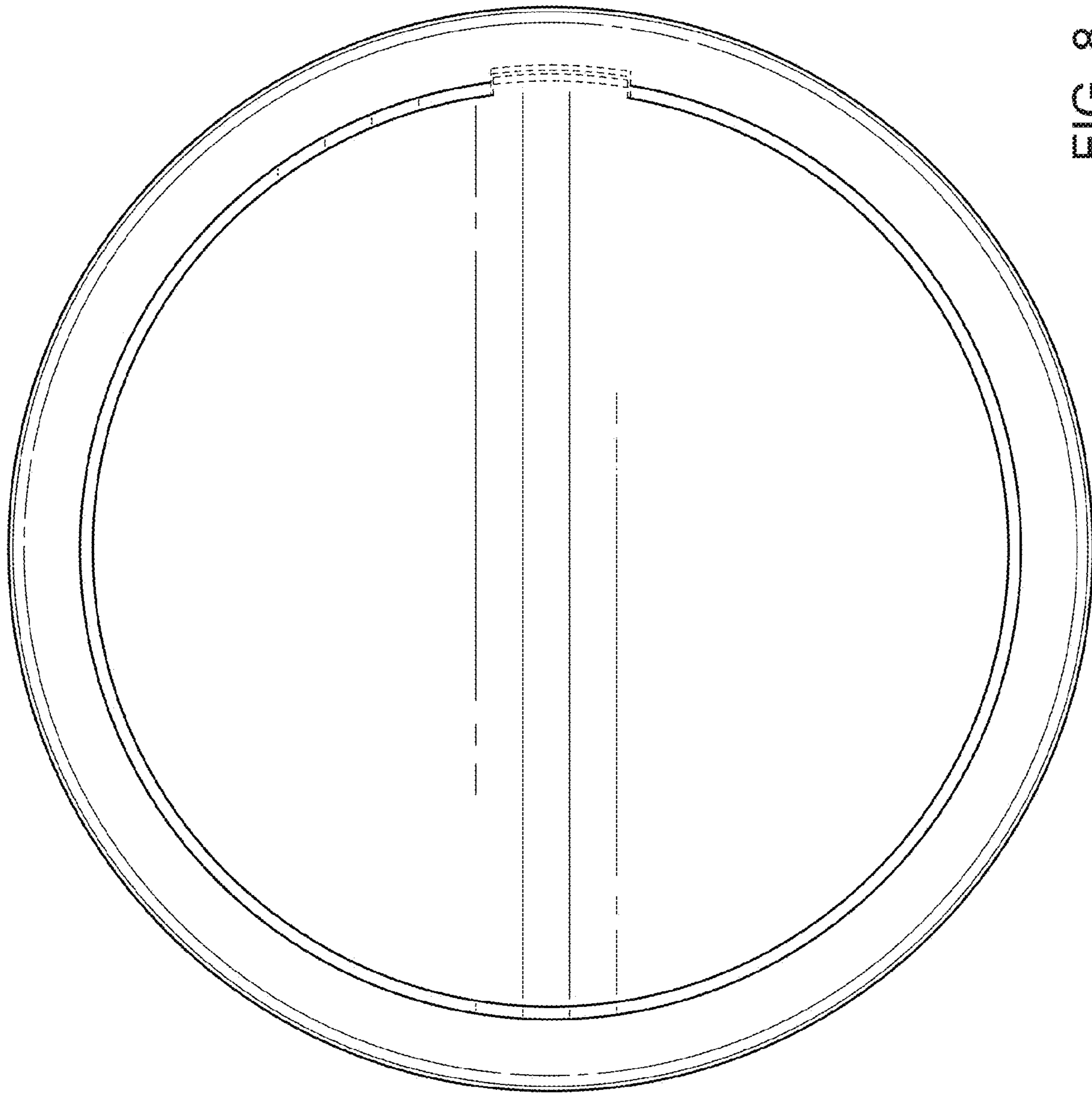


FIG. 8