



US00D969634S

(12) **United States Design Patent**
Umair et al.

(10) **Patent No.:** **US D969,634 S**
(45) **Date of Patent:** **** Nov. 15, 2022**

(54) **TRACKING DEVICE**

(71) Applicant: **Tile, Inc.**, San Mateo, CA (US)

(72) Inventors: **Muhammad Umair**, Pleasanton, CA (US); **Winnie Wong**, Castro Valley, CA (US)

(73) Assignee: **Tile, Inc.**, San Mateo, CA (US)

(**) Term: **15 Years**

(21) Appl. No.: **29/772,464**

(22) Filed: **Mar. 2, 2021**

(51) **LOC (13) Cl.** **10-04**

(52) **U.S. Cl.**
USPC **D10/70; D10/106.9**

(58) **Field of Classification Search**
USPC D10/70, 106.9

CPC G08B 13/126; G08B 13/128; G08B 13/14;
G08B 13/1427; G08B 13/1409; G08B
13/1436; G08B 13/1445; G08B 13/1463;
G08B 13/1472; G08B 13/1481; G08B
13/149; G08B 13/2428; G08B 13/2434;
G08B 13/2437; G08B 21/24; G09F 3/18;
G09F 3/185; G09F 3/20; G09F 3/201;
G09F 3/202; G09F 3/203; G09F 3/204;
G09F 3/205; G09F 3/206; G09F 3/207;
G09F 3/208; G09F 3/005; A41D 1/02;
A44C 5/0015; A44C 5/02; A44C 5/14;
A61B 19/44; A61B 2019/446; A61B
71/00; A61B 5/02416; A61B 5/1118;
A61B 2/721; A61B 5/002; A61B 5/112;
A61B 5/1122; A61B 5/746; A61B
5/6823; A61B 5/72; A61B 5/7445; A61B
5/0022; A61B 5/14532; A63B 71/06;
A63B 26/00; A63B 24/0075; A63B
2071/0663; A63B 71/0686; A63B
24/0062; A63B 24/0084; A63B
2024/0068; A63B 2024/0078; A63B
2024/0056; A63B 2071/0625; A63B
2071/003; A63B 2071/063; A63B
2071/065; A63B 2071/068; A63B

2071/0675; A63B 2220/40; A63B
2220/803; A63B 2220/12; A63B 2220/20;
A63B 2220/22; A63B 2220/30; A63B
2225/50; A63B 2225/02; A63B 2225/06;
A63B 2230/75; A63B 2024/0065; A63B
2024/0081; A63B 2220/51; A63B
2220/62; A63B 2220/836; G06F 1/163;
G06F 3/038; G06F 3/03547; G04G 17/00;
G04G 17/08; G04G 17/04; G04G 21/02;
G04G 21/00; G04G 21/08;

(Continued)

(56) **References Cited**

U.S. PATENT DOCUMENTS

D561,625 S * 2/2008 Cherneff D10/106.9
D561,626 S * 2/2008 Cherneff D10/106.9

(Continued)

Primary Examiner — Antoine Duval Davis

(74) *Attorney, Agent, or Firm* — Fenwick & West LLP

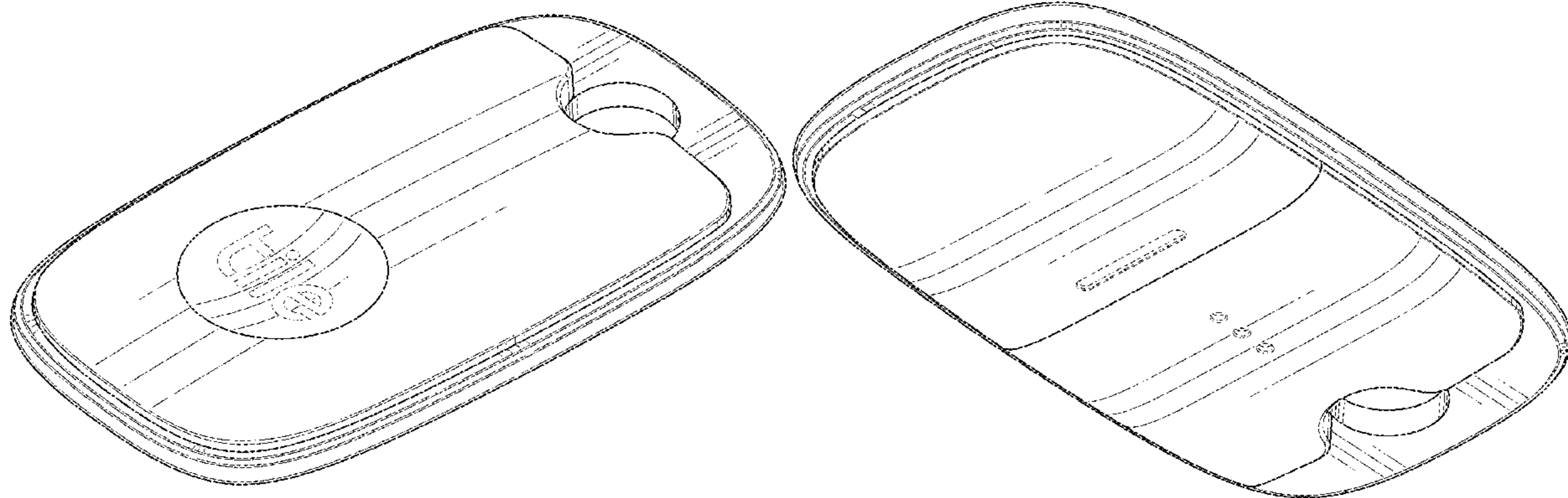
(57) **CLAIM**

The ornamental design for a tracking device, as shown and described.

DESCRIPTION

FIG. 1 is a top, front, and right side perspective view of a tracking device;
FIG. 2 is a bottom, front, and right side perspective view thereof;
FIG. 3 is a rear elevational view thereof;
FIG. 4 is a front elevational view thereof;
FIG. 5 is a left side elevational view thereof;
FIG. 6 is a right side elevational view thereof;
FIG. 7 is a top plan view thereof; and,
FIG. 8 is a bottom plan view thereof.
The broken lines in the drawings showing portions of the tracking device are included for the purpose of illustrating environmental structure and form no part of the claimed design.

1 Claim, 8 Drawing Sheets



(58) **Field of Classification Search**

CPC G04B 37/1486; G06Q 10/00; G06Q 50/00;
G09B 9/00; G09B 19/00; G04F 10/00

See application file for complete search history.

(56) **References Cited**

U.S. PATENT DOCUMENTS

D561,627 S * 2/2008 Cherneff D10/106.9
D561,628 S * 2/2008 Cherneff D10/106.9
D564,926 S * 3/2008 Cherneff D10/106.9
D569,752 S * 5/2008 Cherneff D10/106.9
D572,160 S * 7/2008 Cherneff D10/106.9
D574,281 S * 8/2008 Cherneff D10/106.9
D688,576 S * 8/2013 Tsai D10/70
D804,336 S * 12/2017 Papakostas D10/70
D818,386 S * 5/2018 Barovic G01C 21/3632
D10/70
D819,468 S * 6/2018 Komoni G08B 13/1454
D10/70
10,027,795 B1 * 7/2018 Maguire G08B 3/10
D869,301 S * 12/2019 Komoni D10/70
10,614,683 B2 * 4/2020 Berglund G08B 13/1454
D890,002 S * 7/2020 Cound D10/70
D918,070 S * 5/2021 Franco D10/70
D918,073 S * 5/2021 Umair D10/70
11,047,702 B1 * 6/2021 Meyer G01C 21/3632
D935,917 S * 11/2021 Umair D10/70
D940,330 S * 1/2022 Räsänen D10/70

* cited by examiner

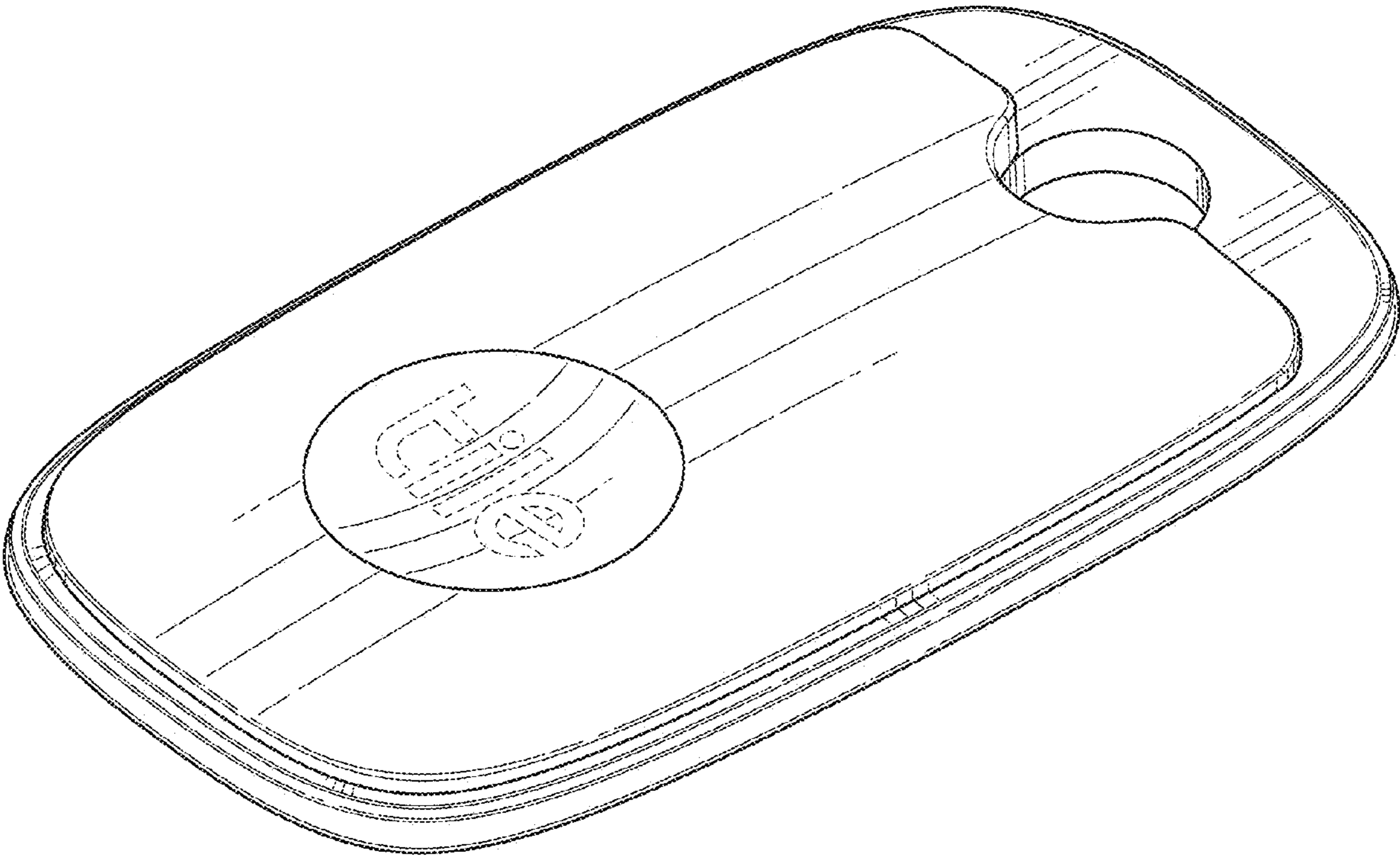


FIG. 1

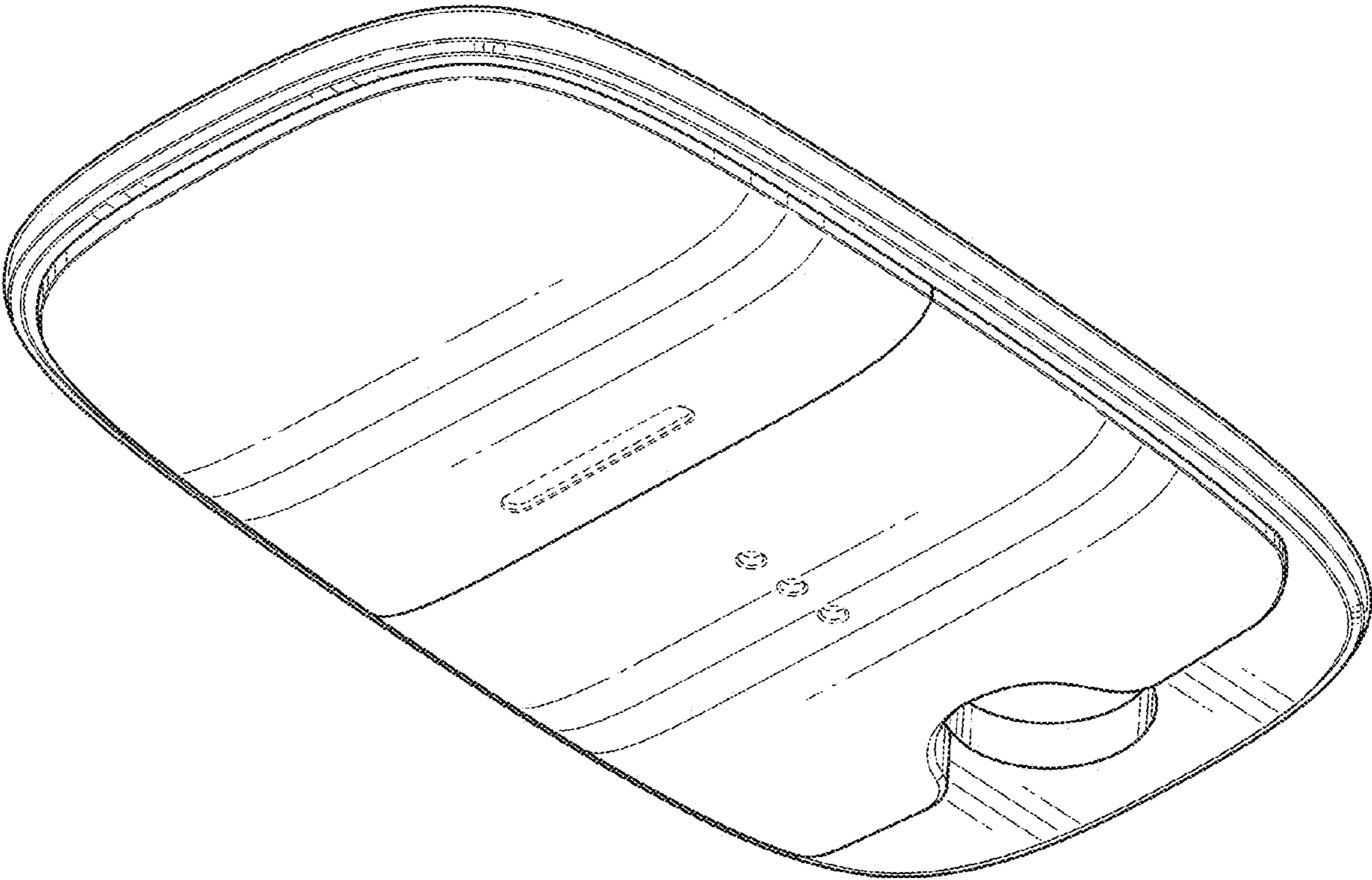


FIG. 2

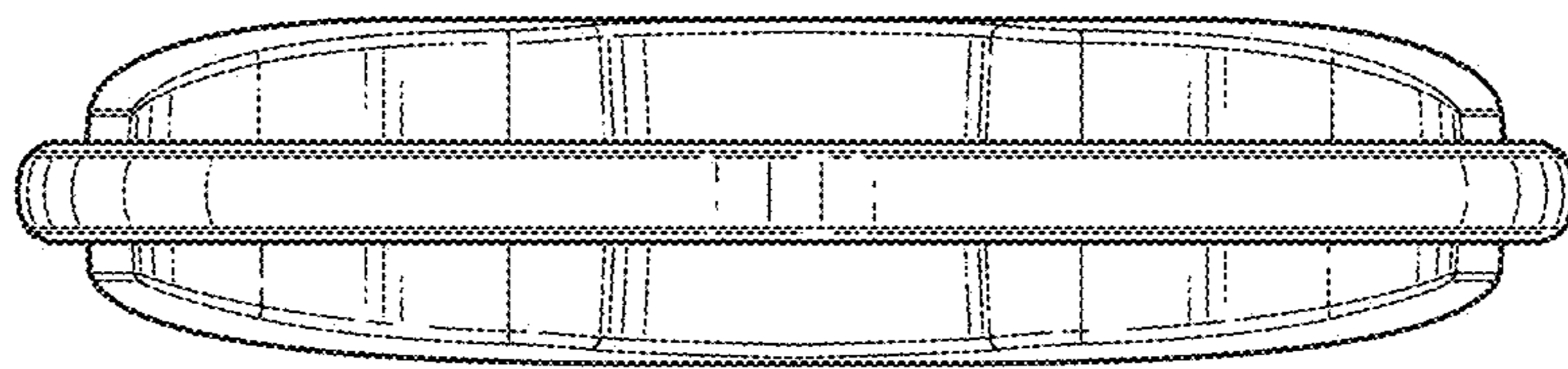


FIG. 3

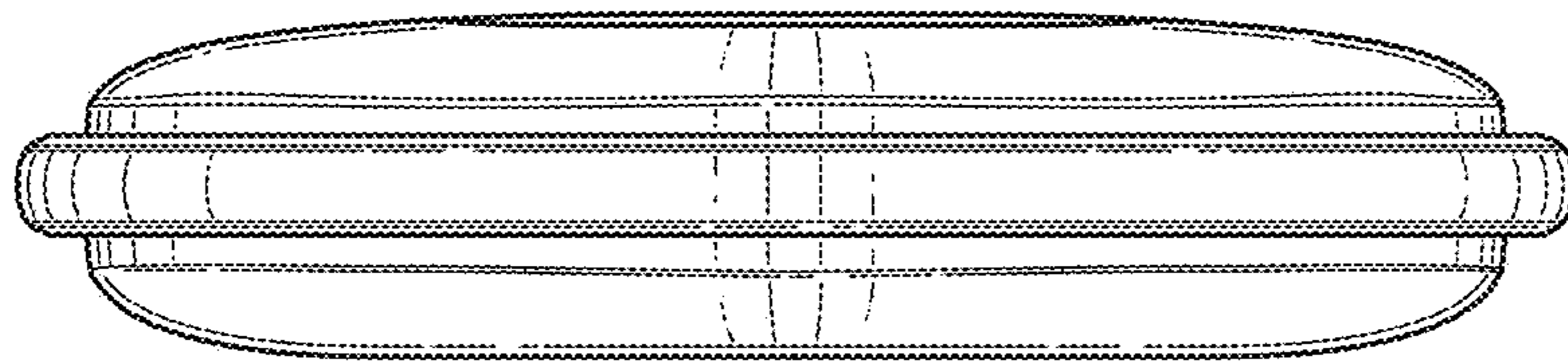


FIG. 4

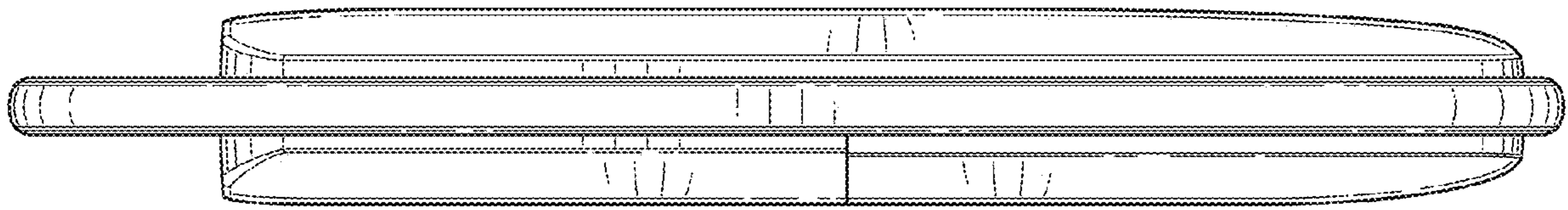


FIG. 5

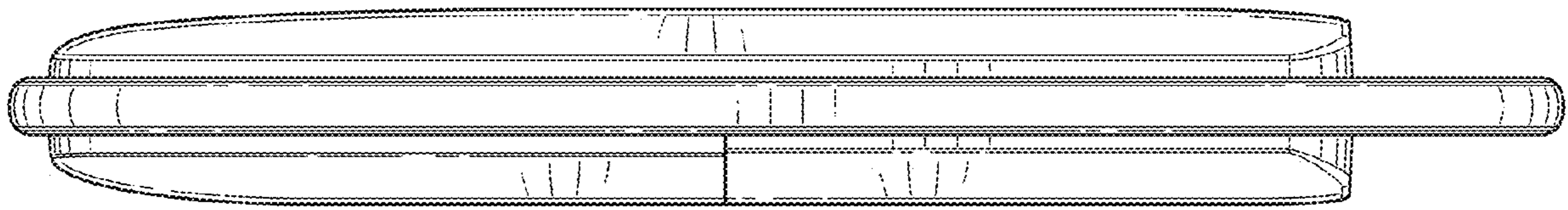


FIG. 6

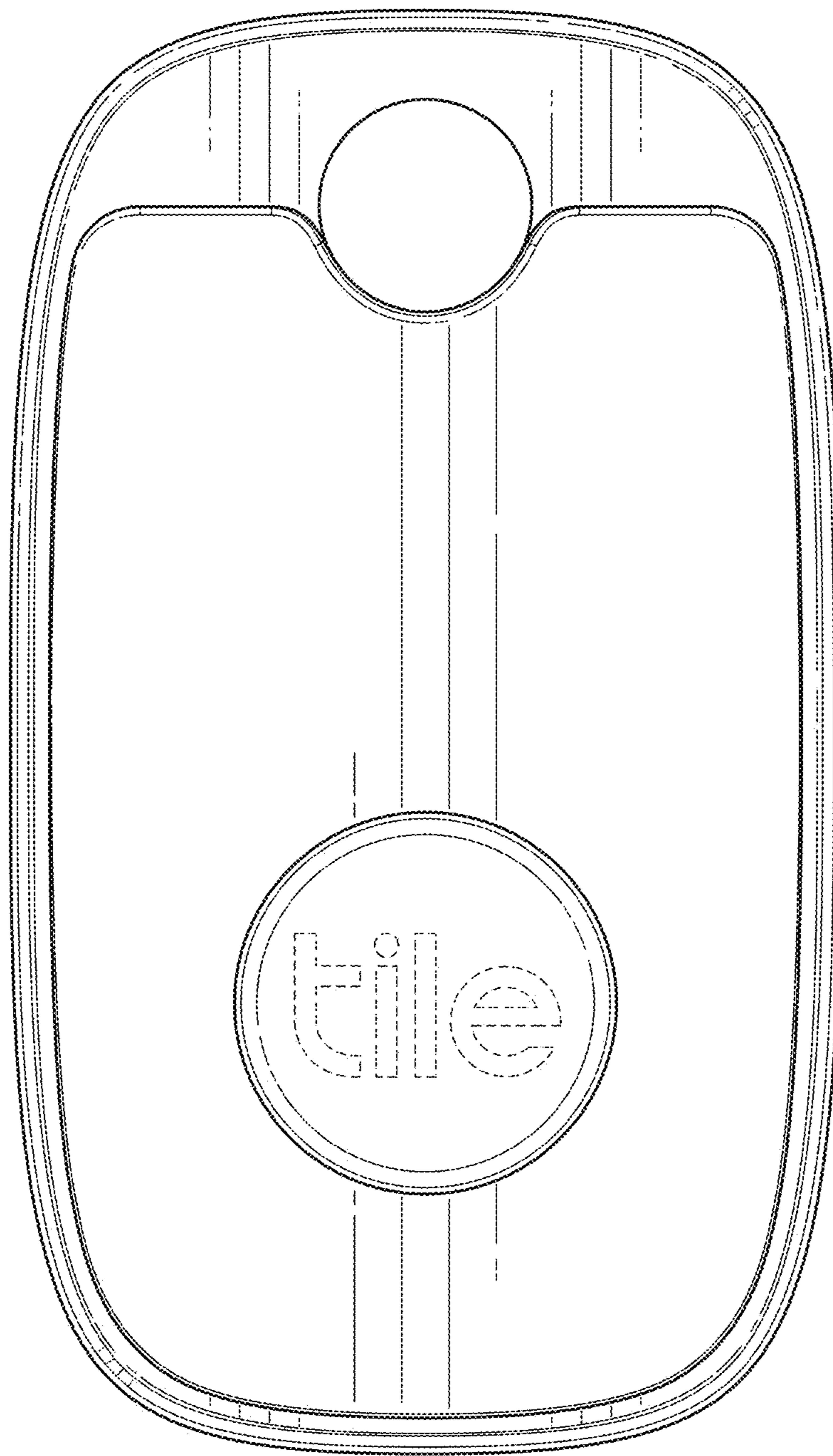


FIG. 7

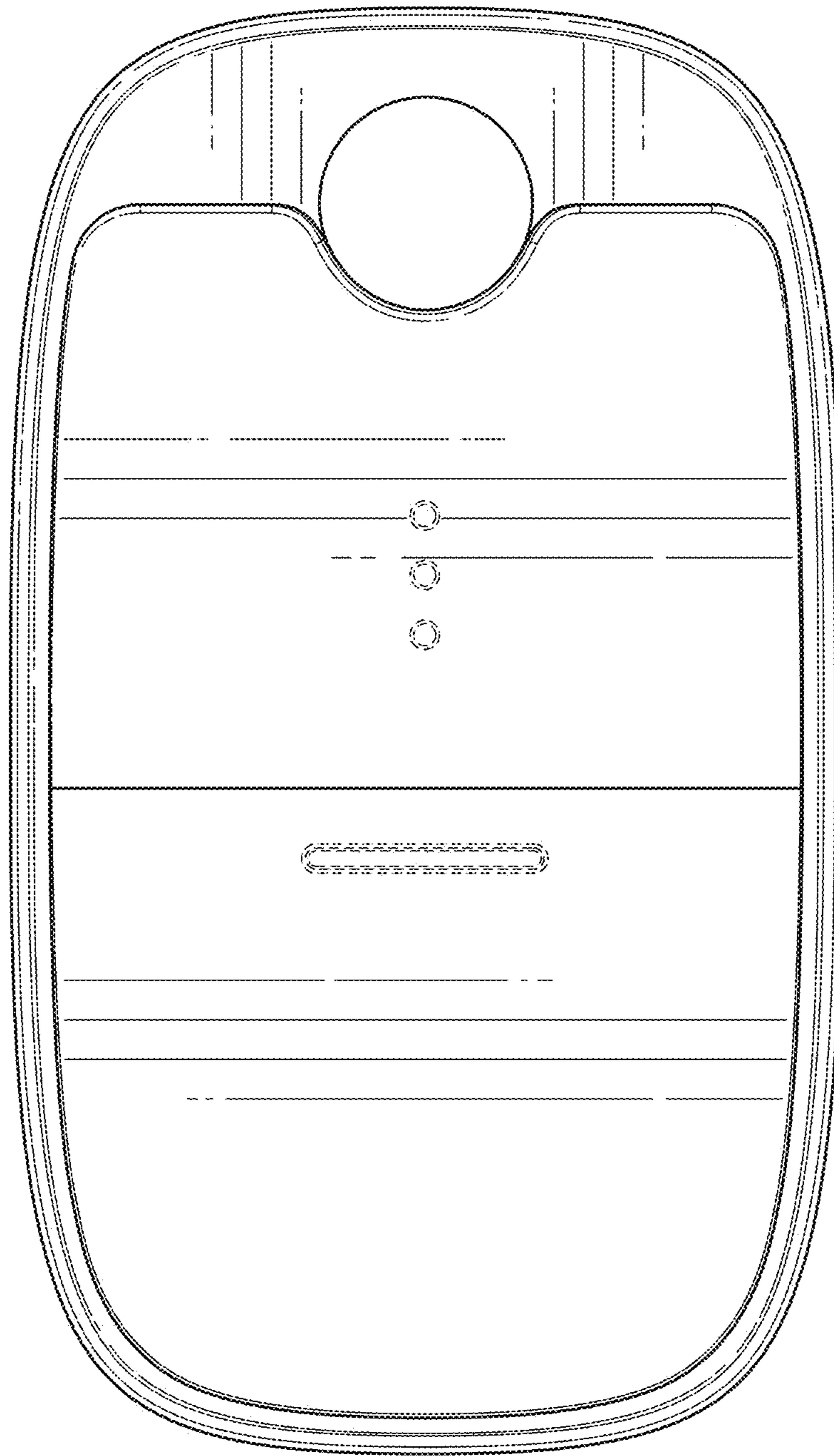


FIG. 8