



US00D969632S

(12) **United States Design Patent**
Umair et al.

(10) **Patent No.:** **US D969,632 S**
(45) **Date of Patent:** **** Nov. 15, 2022**

(54) **TRACKING DEVICE**

(71) Applicant: **Tile, Inc.**, San Mateo, CA (US)

(72) Inventors: **Muhammad Umair**, Pleasanton, CA (US); **Winnie Wong**, Castro Valley, CA (US)

(73) Assignee: **Tile, Inc.**, San Mateo, CA (US)

(**) Term: **15 Years**

(21) Appl. No.: **29/772,462**

(22) Filed: **Mar. 2, 2021**

(51) **LOC (13) Cl.** **10-04**

(52) **U.S. Cl.**
USPC **D10/70; D10/106.9**

(58) **Field of Classification Search**
USPC D10/70, 106.9

CPC G08B 13/126; G08B 13/128; G08B 13/14;
G08B 13/1427; G08B 13/1409; G08B
13/1436; G08B 13/1445; G08B 13/1463;
G08B 13/1472; G08B 13/1481; G08B
13/149; G08B 13/2428; G08B 13/2434;
G08B 13/2437; G08B 21/24; G09F 3/18;
G09F 3/185; G09F 3/20; G09F 3/201;
G09F 3/202; G09F 3/203; G09F 3/204;
G09F 3/205; G09F 3/206; G09F 3/207;
G09F 3/208; G09F 3/005; A41D 1/02;
A44C 5/0015; A44C 5/02; A44C 5/14;
A61B 19/44; A61B 2019/446; A61B
71/00; A61B 5/02416; A61B 5/1118;
A61B 2/721; A61B 5/002; A61B 5/112;
A61B 5/1122; A61B 5/746; A61B
5/6823; A61B 5/72; A61B 5/7445; A61B
5/0022; A61B 5/14532; A63B 71/06;
A63B 26/00; A63B 24/0075; A63B
2071/0663; A63B 71/0686; A63B
24/0062; A63B 24/0084; A63B
2024/0068; A63B 2024/0078; A63B
2024/0056; A63B 2071/0625; A63B
2071/003; A63B 2071/063; A63B
2071/065; A63B 2071/068; A63B

2071/0675; A63B 2220/40; A63B
2220/803; A63B 2220/12; A63B 2220/20;
A63B 2220/22; A63B 2220/30; A63B
2225/50; A63B 2225/02; A63B 2225/06;
A63B 2230/75; A63B 2024/0065; A63B
2024/0081; A63B 2220/51; A63B
2220/62; A63B 2220/836; G06F 1/163;
G06F 3/038; G06F 3/03547; G04G 17/00;
G04G 17/08; G04G 17/04; G04G 21/02;
G04G 21/00; G04G 21/08;

(Continued)

(56)

References Cited

U.S. PATENT DOCUMENTS

D618,121 S * 6/2010 Penix D10/106.9
D700,080 S * 2/2014 Broadbent D10/70
D786,724 S * 5/2017 Seagle, Jr. D10/70

(Continued)

Primary Examiner — Antoine Duval Davis

(74) *Attorney, Agent, or Firm* — Fenwick & West LLP

(57)

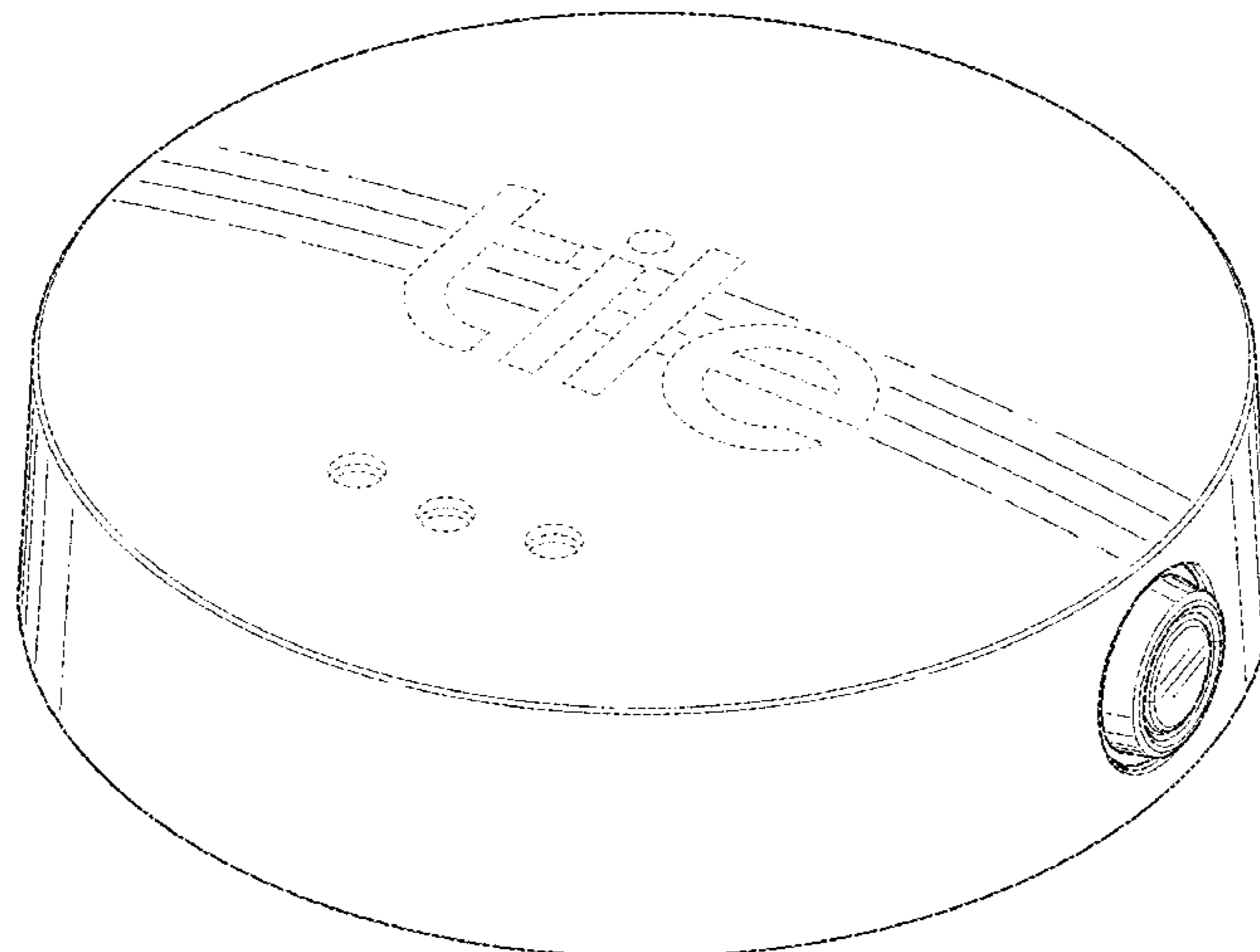
CLAIM

The ornamental design for a tracking device, as shown and described.

DESCRIPTION

FIG. 1 is a top, front, and right side perspective view of a tracking device;
FIG. 2 is a bottom and rear side perspective view thereof;
FIG. 3 is a front elevational view thereof;
FIG. 4 is a rear elevational view thereof;
FIG. 5 is a left side elevational view thereof;
FIG. 6 is a right side elevational view thereof;
FIG. 7 is a top plan view thereof; and,
FIG. 8 is a bottom plan view thereof.
The broken lines in the drawings showing portions of the tracking device are included for the purpose of illustrating environmental structure and form no part of the claimed design.

1 Claim, 8 Drawing Sheets



(58) **Field of Classification Search**

CPC G04B 37/1486; G06Q 10/00; G06Q 50/00;
G09B 9/00; G09B 19/00; G04F 10/00

See application file for complete search history.

(56) **References Cited**

U.S. PATENT DOCUMENTS

D790,372 S * 6/2017 Daoura D10/104.1
D790,373 S * 6/2017 Daoura D10/104.1
D796,355 S * 9/2017 Cho D10/70
D818,385 S * 5/2018 Barovic D10/70
D826,748 S * 8/2018 Kim D10/70
10,070,248 B2 * 9/2018 Elkehag G08B 21/0272
D838,855 S * 1/2019 Lumme D10/70
D917,317 S * 4/2021 Mizusaki D10/70
D918,072 S * 5/2021 Umair D10/70
11,043,086 B1 * 6/2021 Daoura G08B 21/24
D928,150 S * 8/2021 Maruyama G08B 21/0272
D21/333
D936,505 S * 11/2021 Umair G01R 33/02
D10/70
D939,979 S * 1/2022 Fu B60Q 9/00
D10/70
2019/0389329 A1 * 12/2019 Sherf B60Q 9/00
2020/0388126 A1 * 12/2020 Yang G01R 33/02
2021/0274315 A1 * 9/2021 Daoura H04L 67/306

* cited by examiner

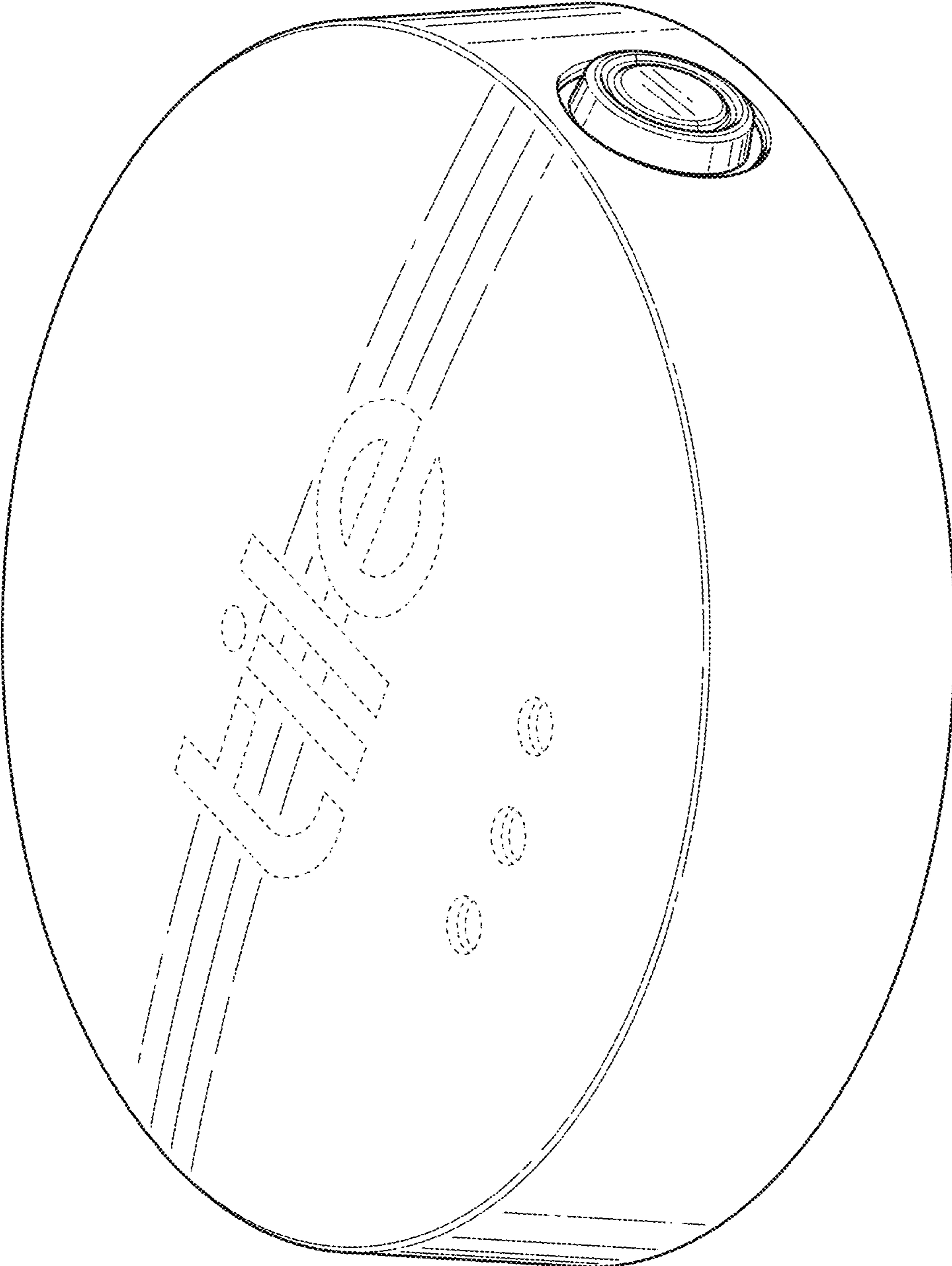


FIG. 1

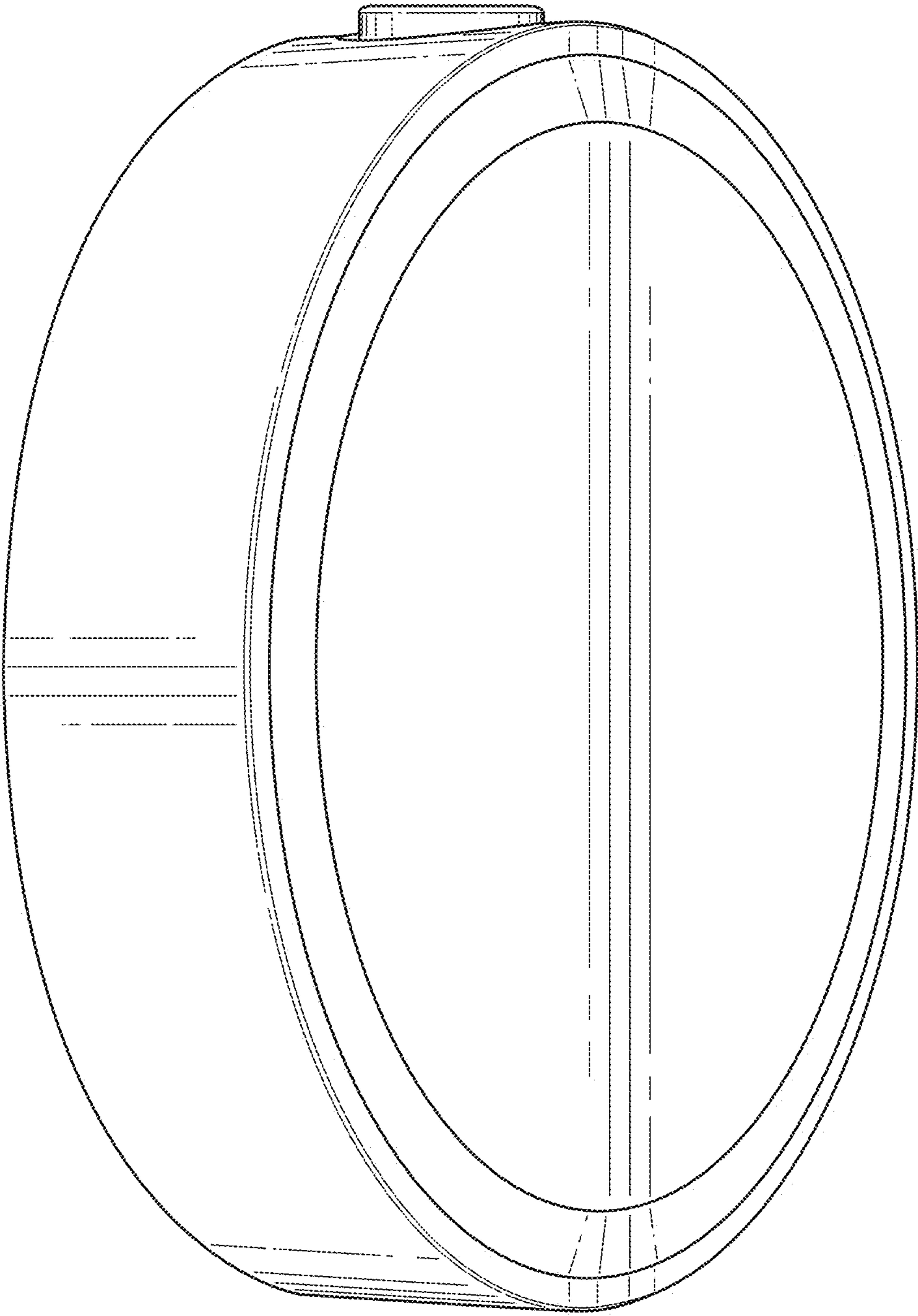


FIG. 2

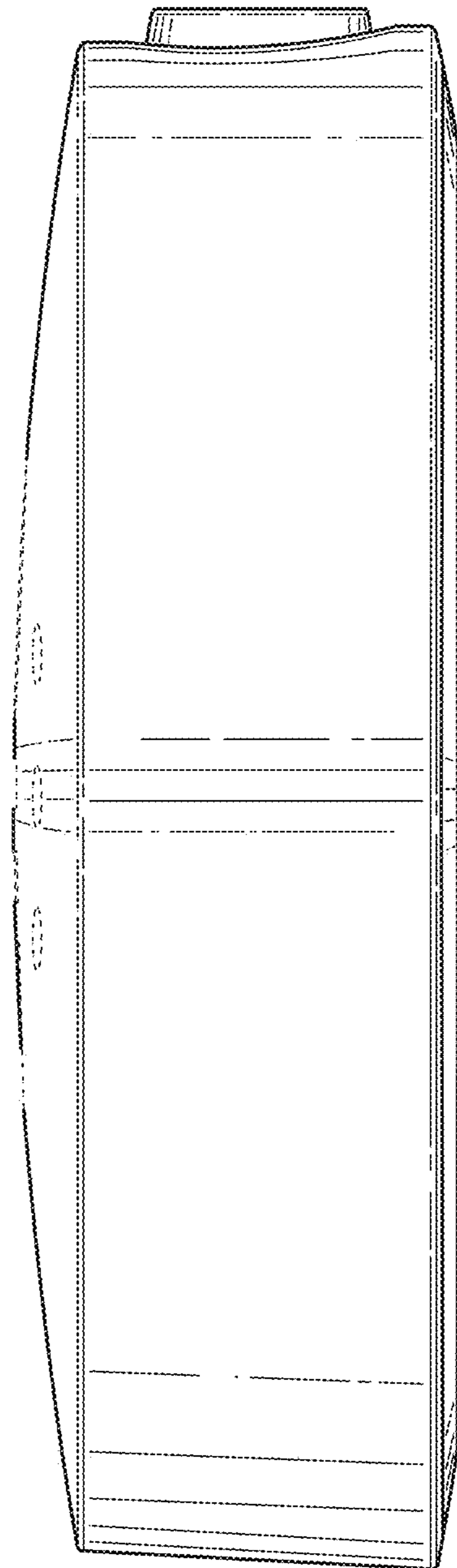


FIG. 3

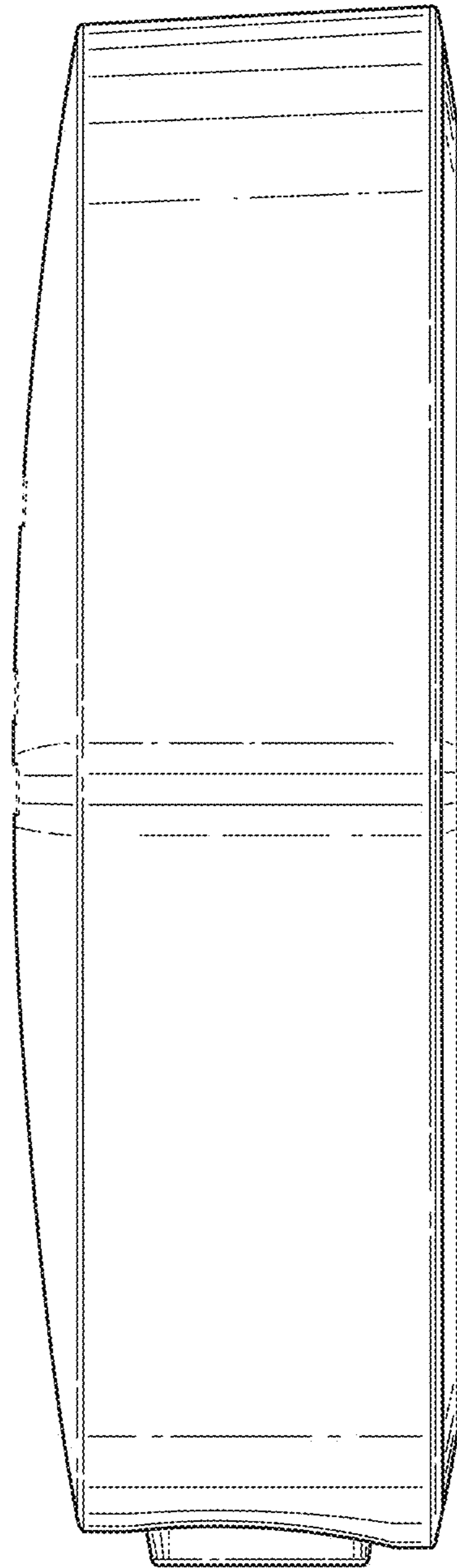


FIG. 4

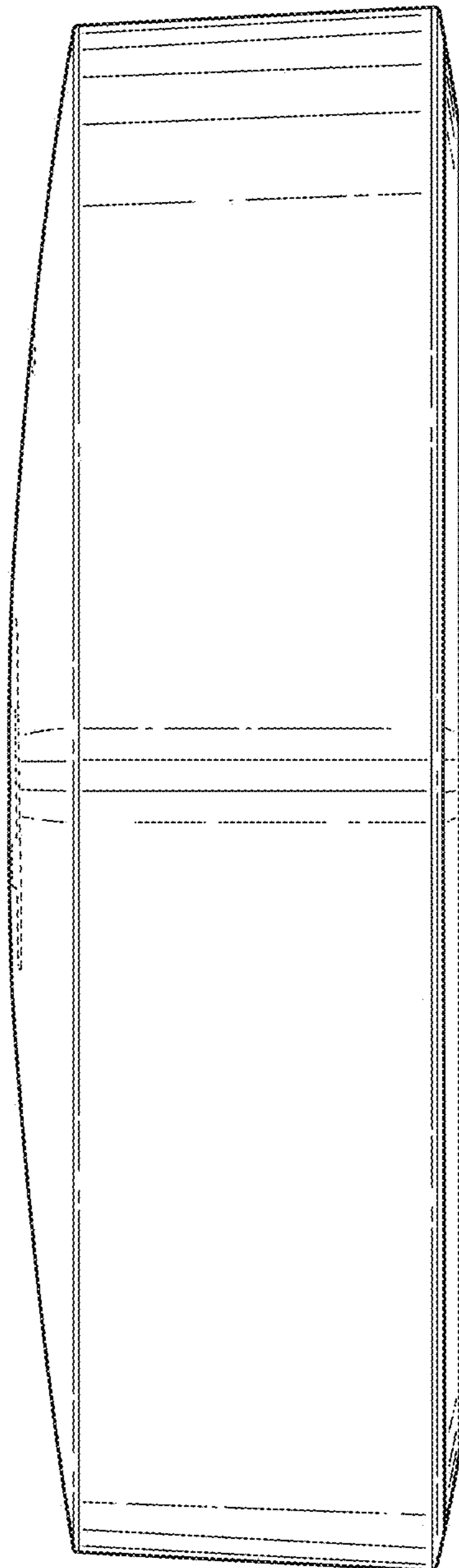


FIG. 5

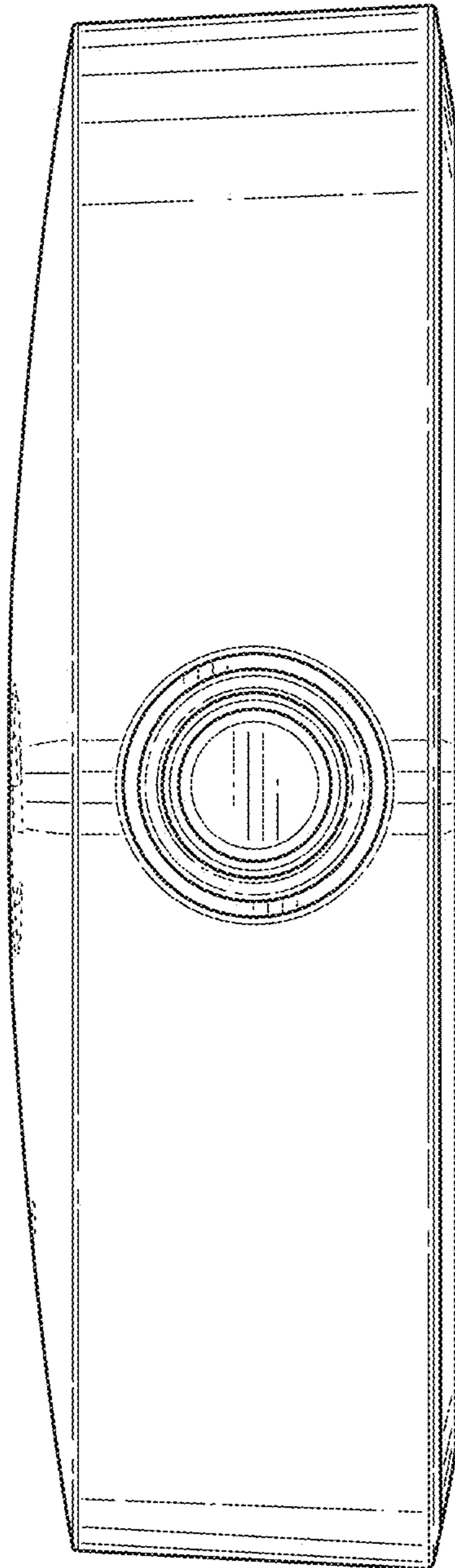


FIG. 6

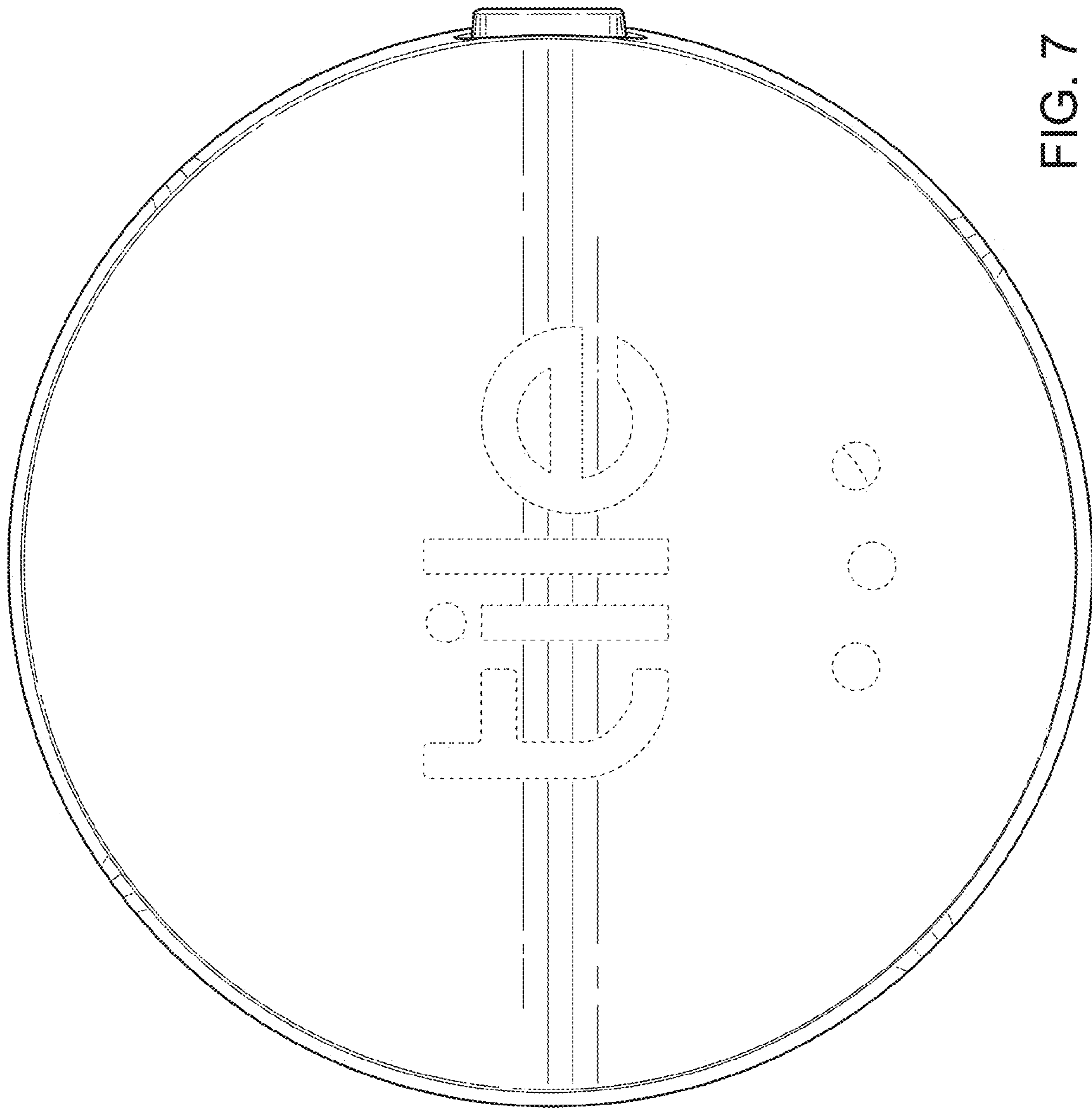


FIG. 7

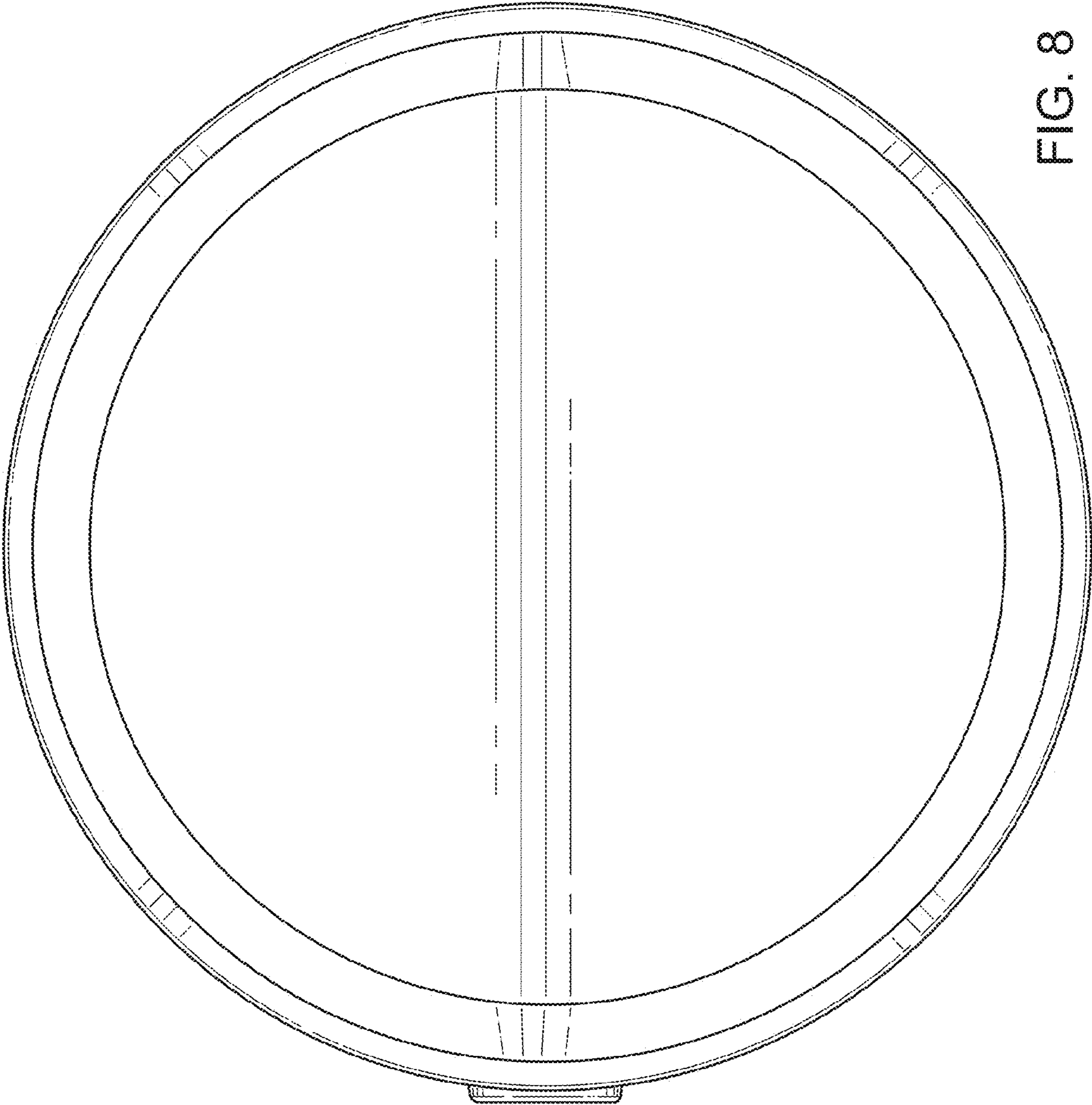


FIG. 8