

US00D969631S

(12) **United States Design Patent**  
**Lingyun et al.**

(10) **Patent No.:** **US D969,631 S**

(45) **Date of Patent:** **\*\* Nov. 15, 2022**

(54) **MOTION SENSOR**

(71) Applicants: **Neos Ventures Limited**, London (GB);  
**Tianjin Hualai Technology Co., Ltd.**,  
Tianjin (CN)

(72) Inventors: **Xin Lingyun**, Tianjin (CN); **Anthony Lee Weston**, London (GB)

(\*\*) Term: **15 Years**

(21) Appl. No.: **29/762,852**

(22) Filed: **Dec. 18, 2020**

(30) **Foreign Application Priority Data**

Jun. 19, 2020 (EM) ..... 008012694-0003

(51) **LOC (13) Cl.** ..... **10-04**

(52) **U.S. Cl.**  
USPC ..... **D10/70; D10/106.6**

(58) **Field of Classification Search**  
USPC ..... D10/70, 106.6  
CPC . G01J 5/0022; G01J 5/10; G01P 13/00; G01P 13/006; G01P 13/0013; G01P 13/002; G01P 13/0026; G01P 13/0033; G01P 13/004; G01P 13/0046; G01P 13/0053; G01P 13/0066; G01P 13/0073; G01P 13/008; G01P 13/0086; G01P 13/0093; G08B 29/183; G08B 21/00; G08B 21/02; G08B 21/0202; G08B 21/0205; G08B 21/0208; G08B 21/0211; G08B 21/0213; G08B 21/0216; G08B 21/0219; G08B 21/0222; G08B 21/0225; G08B 21/0227; G08B 21/023; G08B 21/0233; G08B 21/0236; G08B 21/0238; G08B 21/0241; G08B 21/0244; G08B 21/0247; G08B 21/025; G08B 21/0252; G08B 21/0258; G08B 21/0261; G08B 21/0263; G08B 21/0266; G08B 21/0269; G08B 21/0272; G08B 21/0275; G08B 21/0277; G08B 21/028; G08B 21/0283; G08B 21/0286; G08B 21/0288; G08B 21/0291; G08B 21/0194; G08B 21/0297; G08B 21/04;

G08B 21/0407; G08B 21/0415; G08B 21/0423; G08B 21/043; G08B 21/0438; G08B 21/0446; G08B 21/0453; G08B 21/0461; G08B 21/0469; G08B 21/0476; G08B 21/0484; G08B 21/0492; G08B 21/06; G08B 21/08; G08B 21/082; G08B 21/084; G08B 21/086; G08B 21/088; G08B 21/10; G08B 21/12; G08B 21/14; G08B 21/16; G08B 21/18; G08B 21/182; G08B 21/185; G08B 21/187; G08B 21/20; G08B 21/22; G08B 21/24; G08B 21/245; G08B 23/00; G08B 13/00; G08B 13/02; G08B

(Continued)

(56) **References Cited**

U.S. PATENT DOCUMENTS

D826,746 S \* 8/2018 Qiu ..... D10/70  
D849,573 S \* 5/2019 Haban ..... D10/70

(Continued)

*Primary Examiner* — Antoine Duval Davis  
(74) *Attorney, Agent, or Firm* — Davis Wright Tremaine LLP

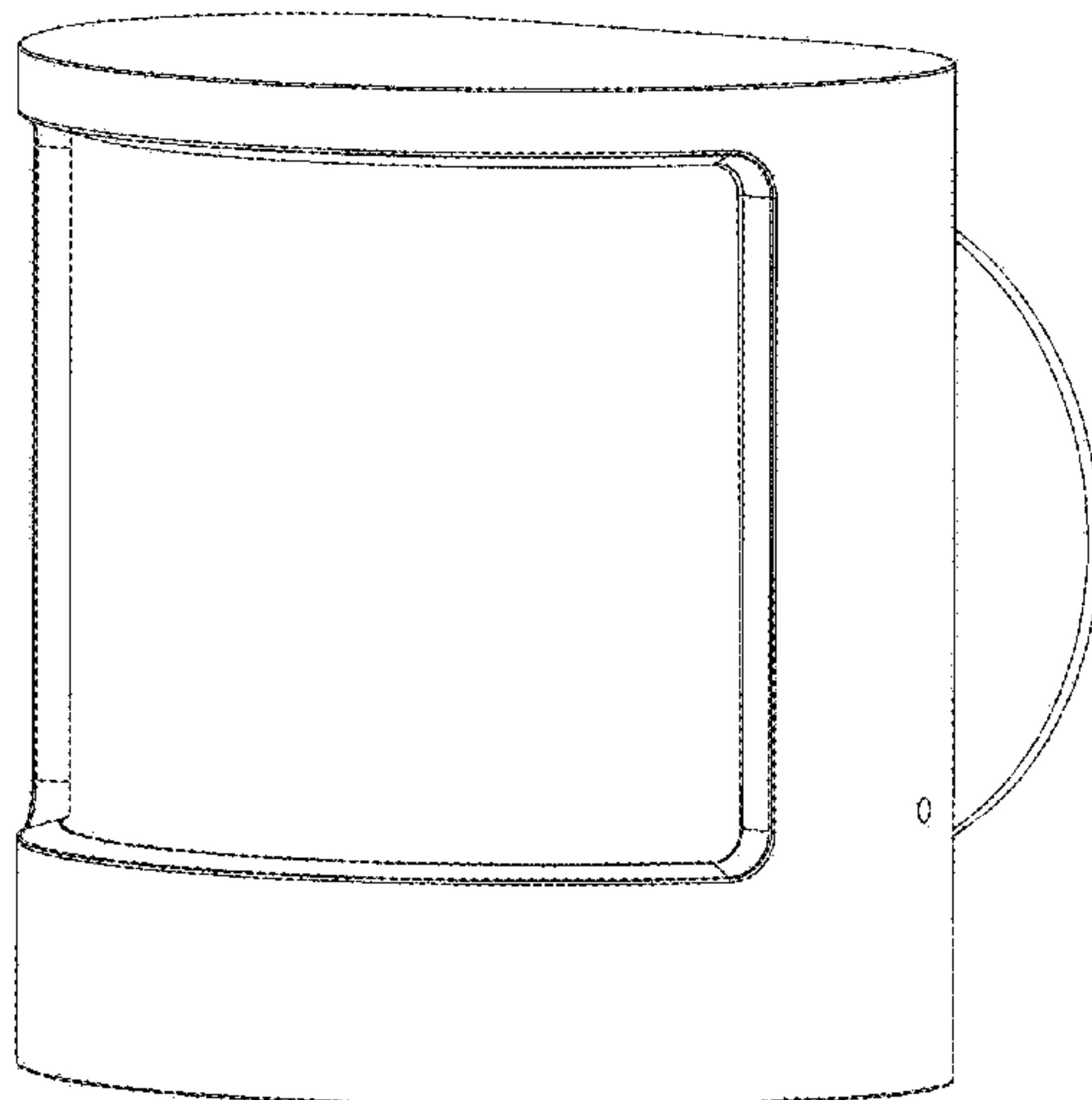
(57) **CLAIM**

The ornamental design for a motion sensor, as shown and described.

**DESCRIPTION**

FIG. 1 is a first perspective view of a motion sensor showing our new design;  
FIG. 2 is a second perspective view thereof;  
FIG. 3 is a front view thereof;  
FIG. 4 is a back view thereof;  
FIG. 5 is a left side view thereof;  
FIG. 6 is a right side view thereof;  
FIG. 7 is a top view thereof; and,  
FIG. 8 is a bottom view thereof.

**1 Claim, 8 Drawing Sheets**



(58) **Field of Classification Search**

CPC ..... 13/04; G08B 13/06; G08B 13/08; G08B  
13/10; G08B 13/12; G08B 13/122; G08B  
13/124; G08B 13/126; G08B 13/028;  
G08B 13/128; G08B 13/14; G08B  
13/1409; G08B 13/1418; G08B 13/1427;  
G08B 13/1436; G08B 13/1445; G08B  
13/1454; G08B 13/1463; G08B 13/1472;  
G08B 13/1481; G08B 13/149; G08B  
13/16; G08B 13/1609; G08B 13/1618;  
G08B 13/1627; G08B 13/1636; G08B  
13/1645; G08B 13/1654; G08B 13/1663;  
G08B 13/1672; G08B 13/1681; G08B  
13/169; G08B 13/18; G08B 13/181;  
G08B 13/183; G08B 13/184; G08B  
13/186; G08B 13/187; G08B 13/189;  
G08B 13/1895; G08B 13/19; G08B  
13/191; G08B 13/193; G08B 13/194;  
G08B 13/196; G08B 13/19602; G08B  
13/19604; G08B 13/19606; G08B  
13/19608; G08B 13/1961; G08B  
13/19613; G08B 13/19615; G08B  
13/19617; G08B 13/19619; G08B  
13/19621; G08B 13/19623; G08B  
13/19626; G08B 13/19628; G08B  
13/1963; G08B 13/19632; G08B  
13/19634; G08B 13/19636; G08B  
13/19639; G08B 13/19641; G08B  
13/19643; G08B 13/19645; G08B  
13/19647; G08B 13/1965; G08B  
13/19652; G08B 13/19654; G08B  
13/19656; G08B 13/19658; G08B  
13/1966; G08B 13/19663; G08B  
13/19665; G08B 13/19667; G08B

13/19669; G08B 13/19671; G08B  
13/19673; G08B 13/19676; G08B  
13/19678; G08B 13/1968; G08B  
13/19682; G08B 13/19684; G08B  
13/19686; G08B 13/19689; G08B  
13/19691; G08B 13/19693; G08B  
13/19695; G08B 13/19697; G08B 13/20;  
G08B 13/22; G08B 13/24; G08B  
13/2402; G08B 13/2405; G08B 13/2408;  
G08B 13/2411; G08B 13/2414; G08B  
13/2417; G08B 13/242; G08B 13/2422;  
G08B 13/2425; G08B 13/2428; G08B  
13/2431; G08B 13/2434; G08B 13/2437;  
G08B 13/244; G08B 13/2442; G08B  
13/2445; G08B 13/2448; G08B 13/2451;  
G08B 13/2454; G08B 13/2457; G08B  
13/246; G08B 13/2462; G08B 13/2465;  
G08B 13/2468; G08B 13/2471; G08B  
13/2474; G08B 13/2477; G08B 13/248;  
G08B 13/2482; G08B 13/2485; G08B  
13/2488; G08B 13/2491; G08B 13/2494;  
G08B 13/2497; G08B 13/26; G08B  
13/16169; G08B 17/12; G01V 8/20;  
H03K 17/941; H03K 2017/9455; H03K  
17/9505; H03K 17/9622; H03K 17/9627;  
H05B 37/0227

See application file for complete search history.

(56)

**References Cited**

U.S. PATENT DOCUMENTS

D896,111 S \* 9/2020 Gong ..... D10/70  
D941,687 S \* 1/2022 Painter ..... D10/70

\* cited by examiner

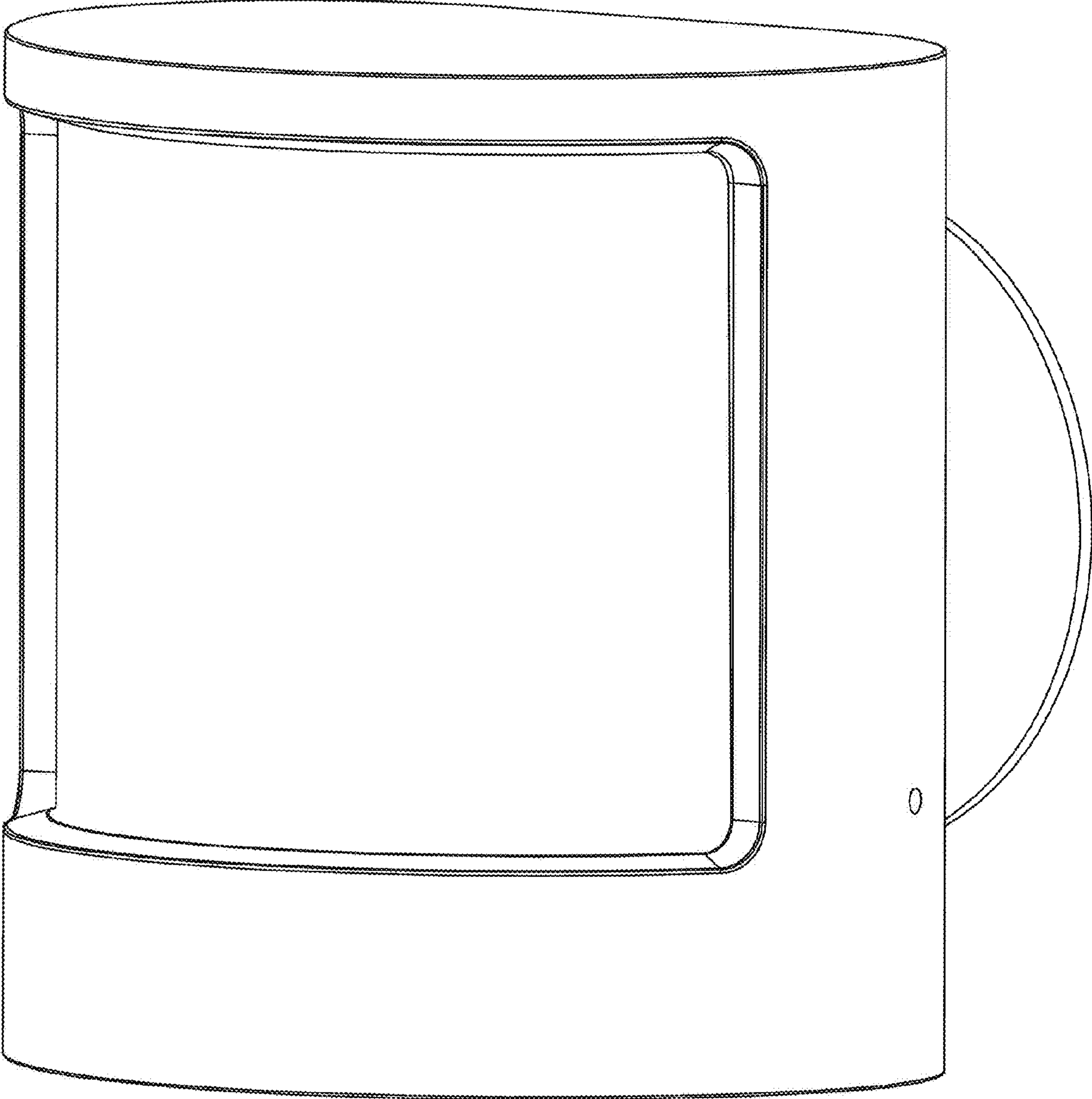


Figure 1



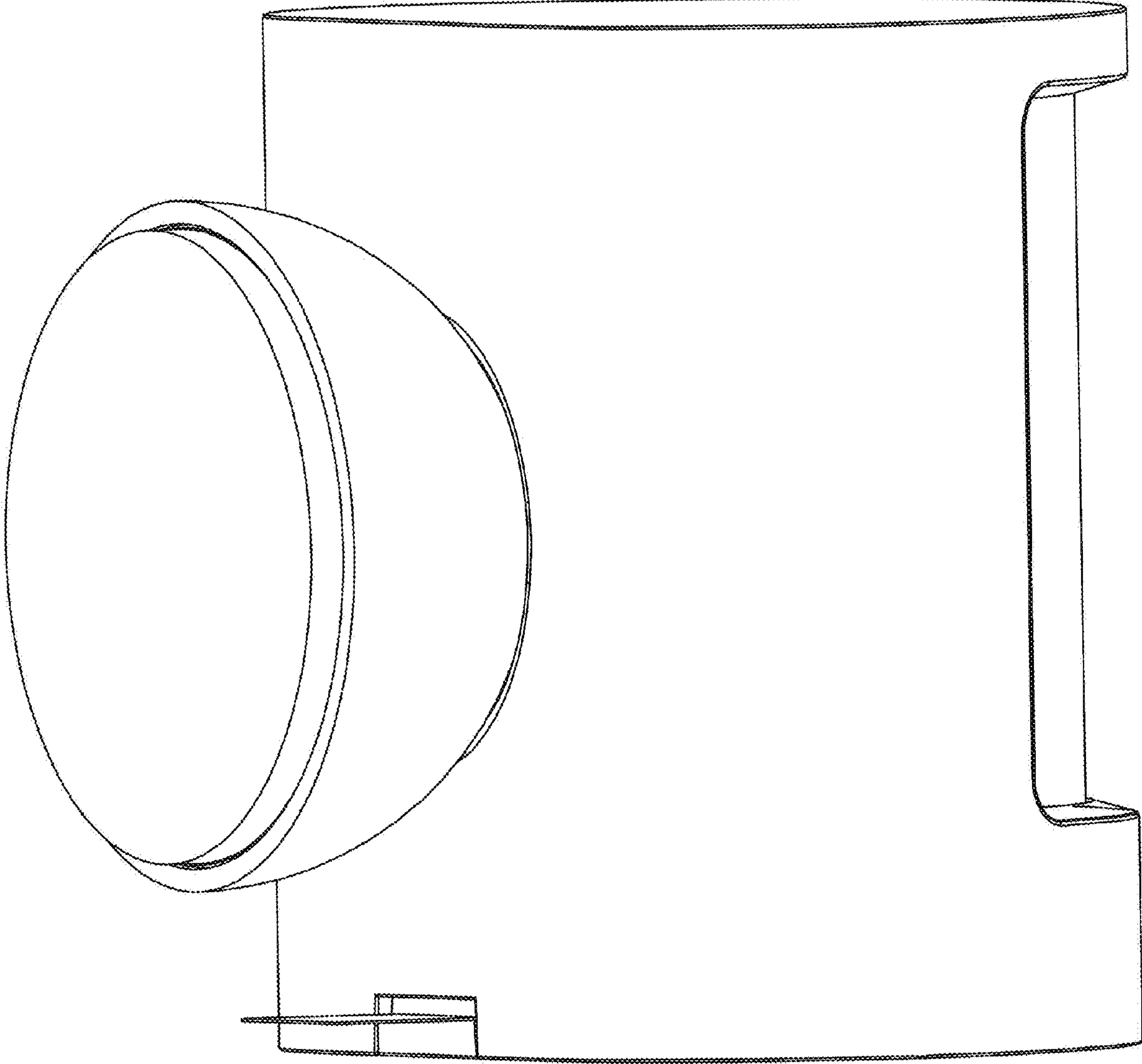


Figure 2

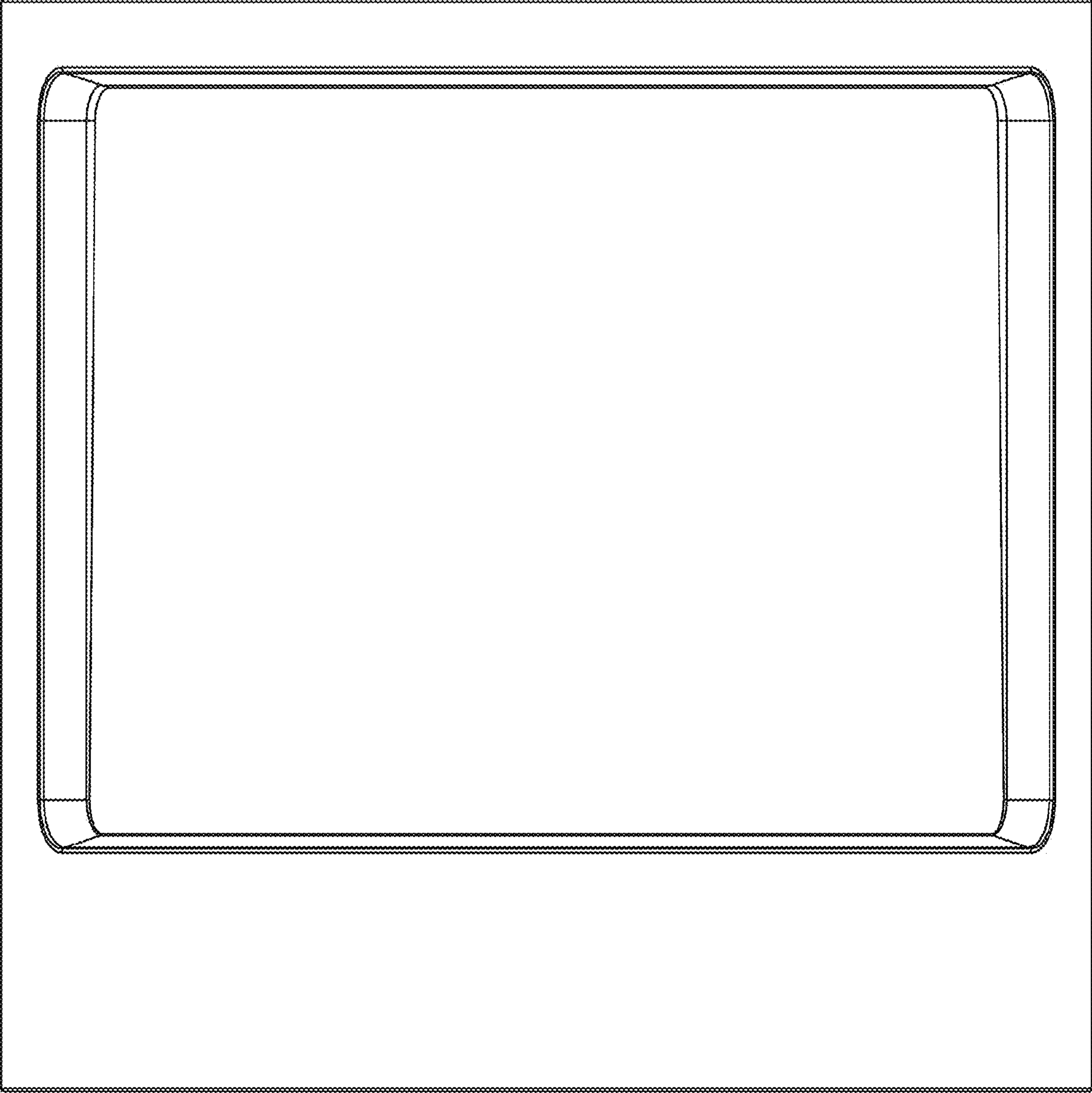


Figure 3

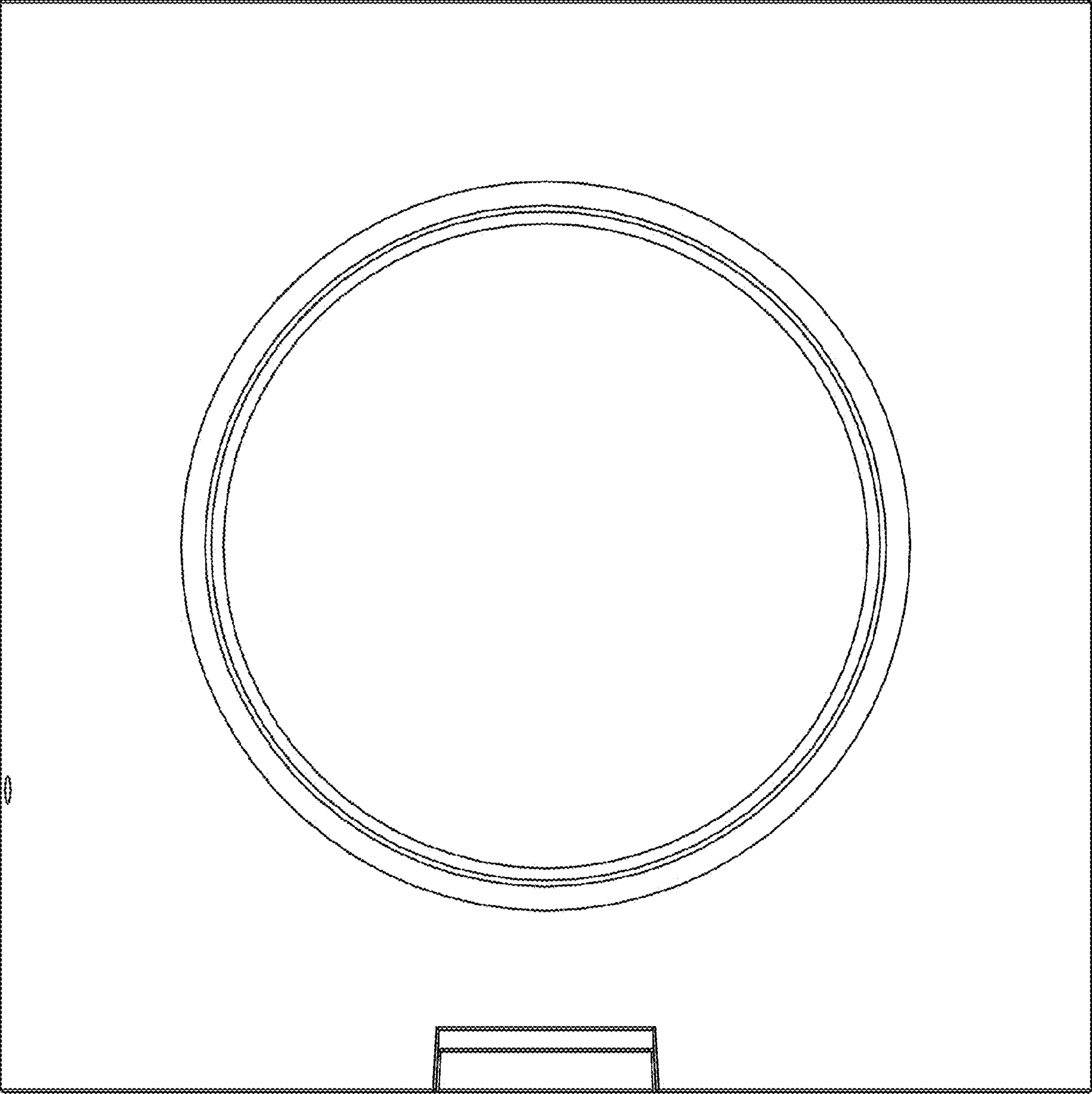


Figure 4

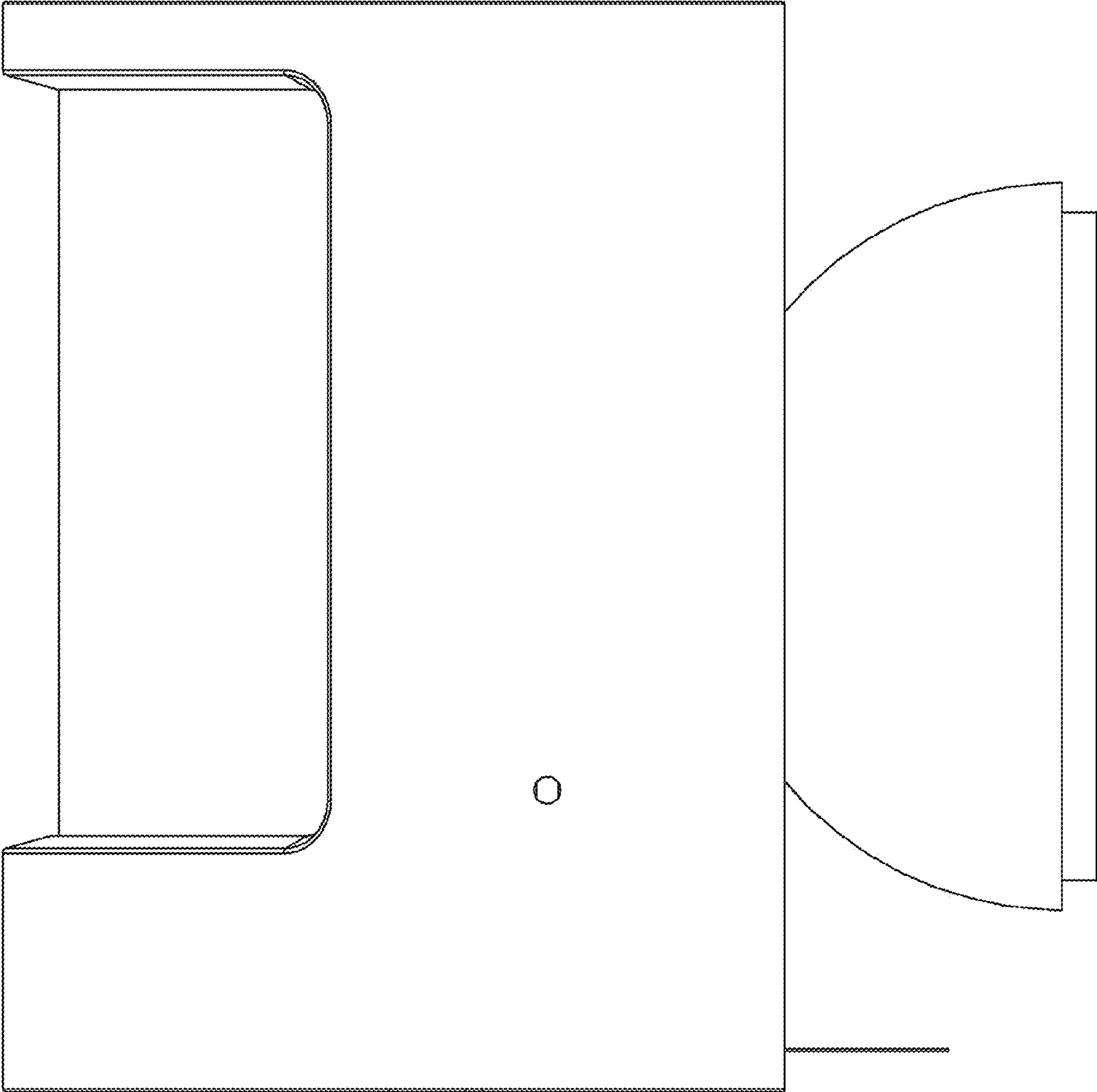


Figure 5

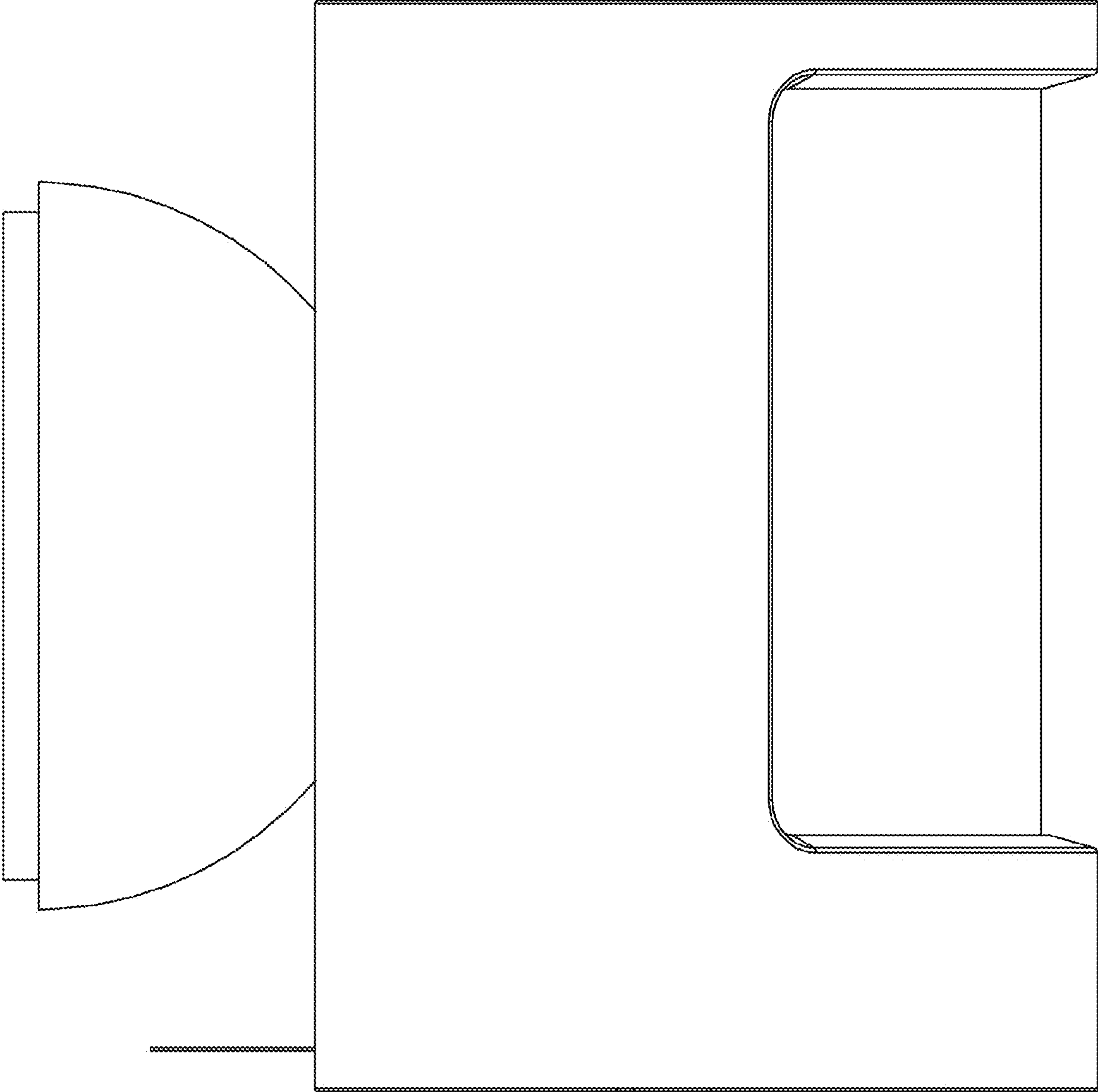


Figure 6



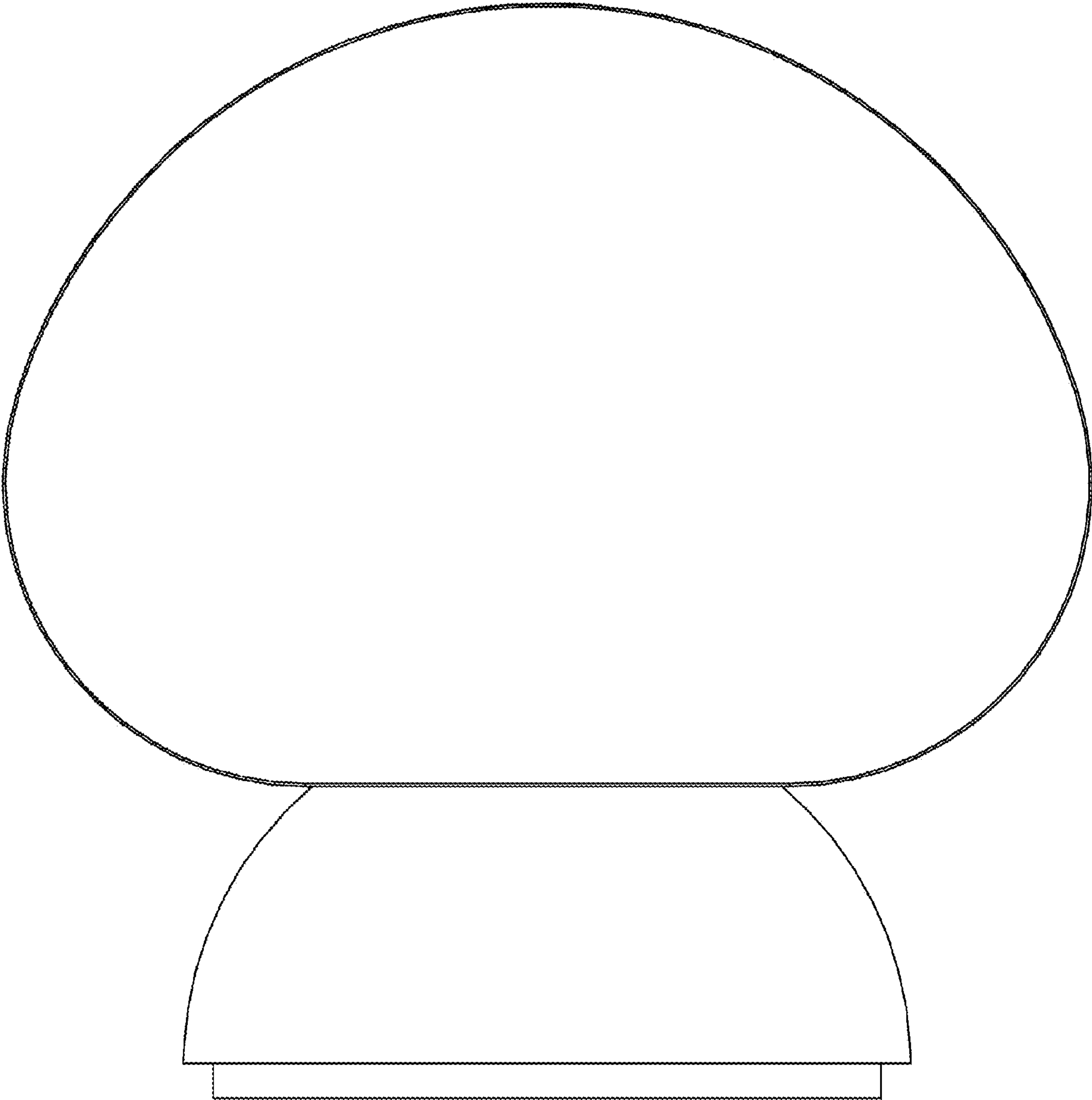


Figure 7

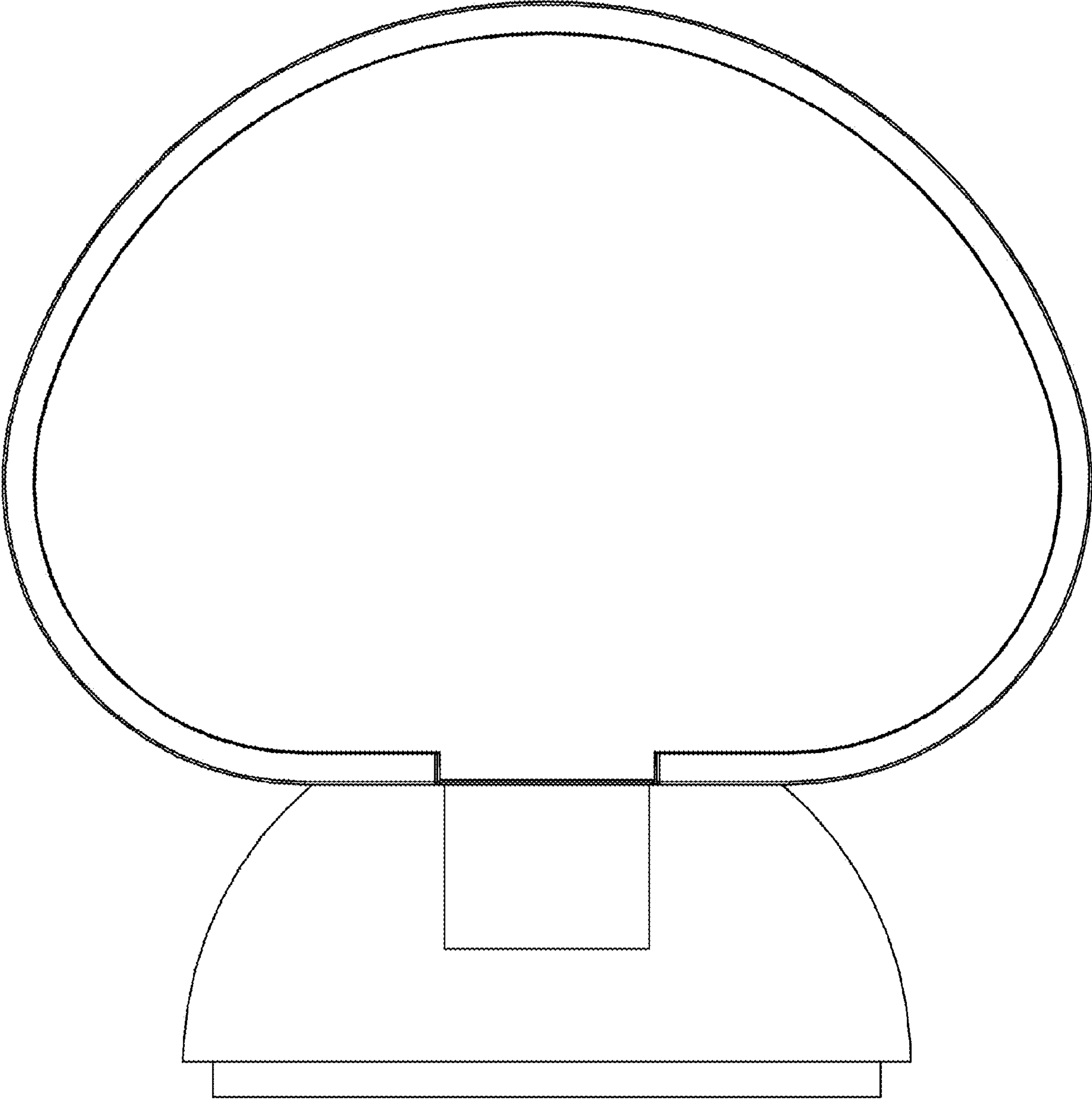


Figure 8