



US00D969630S

(12) **United States Design Patent** (10) **Patent No.:** **US D969,630 S**
Vuletici et al. (45) **Date of Patent:** **** Nov. 15, 2022**

(54) **LIDAR SENSOR ASSEMBLY**

(71) Applicant: **Continental Autonomous Mobility US, LLC**, Auburn Hills, MI (US)

(72) Inventors: **Goran Vuletici**, Santa Barbara, CA (US); **Jacob A. Bergam**, Santa Barbara, CA (US); **Octavio Samano Cancino**, Oxnard, CA (US)

(73) Assignee: **Continental Autonomous Mobility US, LLC**, Auburn Hills, MI (US)

(**) Term: **15 Years**

(21) Appl. No.: **29/762,205**

(22) Filed: **Dec. 15, 2020**

Related U.S. Application Data

(62) Division of application No. 29/677,263, filed on Jan. 18, 2019, now Pat. No. Des. 909,216.

(51) **LOC (13) Cl.** **10-04**

(52) **U.S. Cl.**
USPC **D10/70**

(58) **Field of Classification Search**

USPC D10/70
CPC G06T 17/05; G06T 19/00; G06T 17/00;
G01S 17/89; G01S 7/4808; G01S 7/003;
G01S 2013/9316; G01S 17/894; G01S
17/931; G01S 7/481; G01S 7/4813; G01S
17/93; G01S 17/936; G01S 7/4817; G01S
17/42; G01S 7/4818; G01S 7/4865; G01S
7/4873; G01S 17/10; G01S 2007/4975;
G01S 7/4814; G01S 7/4816; G01S
7/4802; G08G 1/16; G05D 1/0088; G06F
17/12; G06N 99/005; G02B 19/0028;
G02B 19/0085; G02B 26/106; G02B
26/108; G01C 3/08

See application file for complete search history.

(56) **References Cited**

U.S. PATENT DOCUMENTS

7,961,301 B2 * 6/2011 Earhart G01S 7/4816
356/5.01
D849,573 S * 5/2019 Haban G01S 17/89
D10/70
10,288,737 B2 * 5/2019 Mooney G01S 17/87
2019/0086545 A1 3/2019 Mooney et al.
2022/0051422 A1 * 2/2022 Parian G06T 3/0068

* cited by examiner

Primary Examiner — Antoine Duval Davis

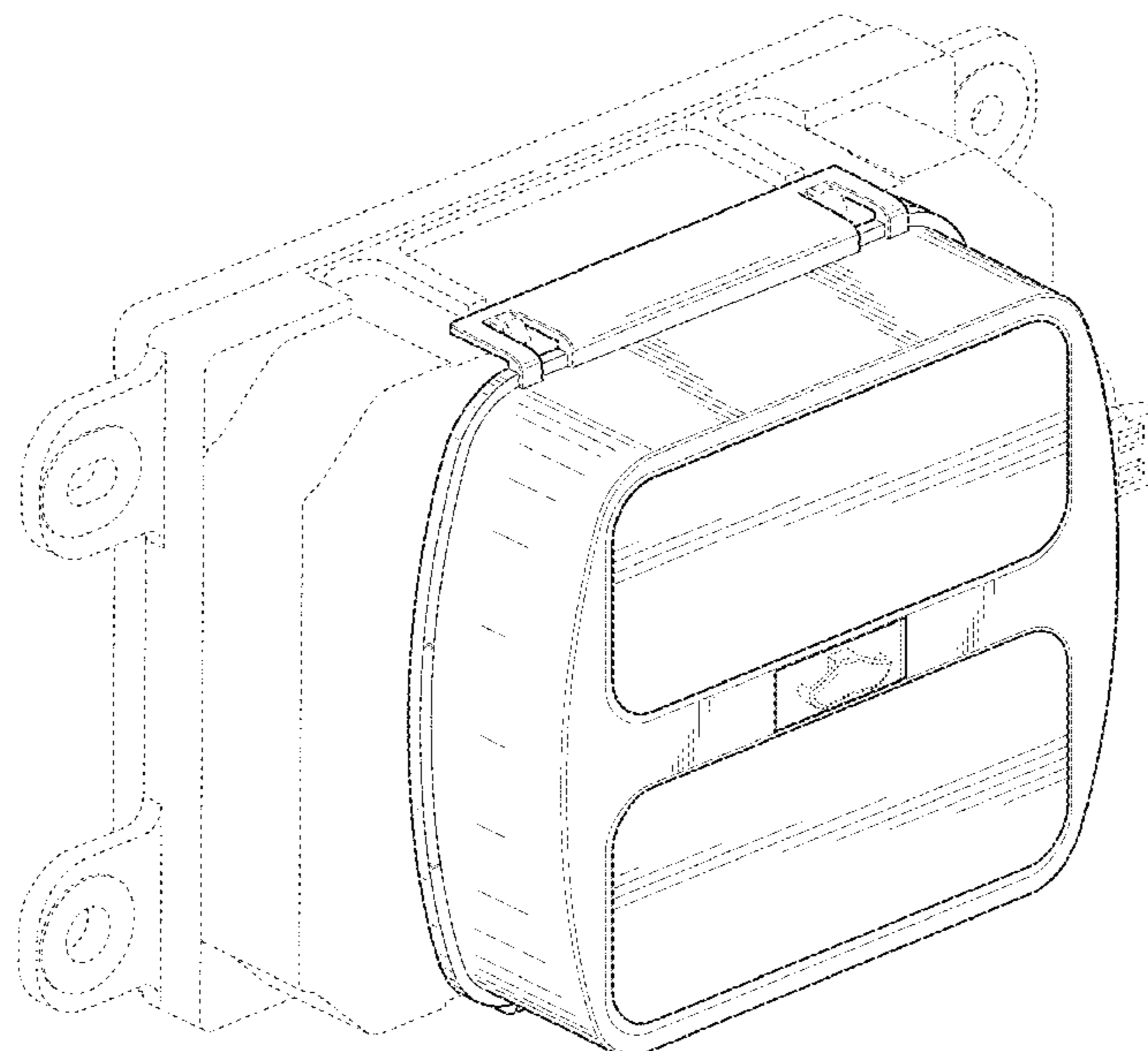
(57) **CLAIM**

What is claimed is the ornamental design for a lidar sensor assembly, as shown.

DESCRIPTION

FIG. 1 is a perspective view of a lidar sensor assembly according to a second embodiment;
FIG. 2 is a front elevation view of the lidar sensor assembly shown in FIG. 1;
FIG. 3 is a rear elevation view of the lidar sensor assembly shown in FIG. 1;
FIG. 4 is a left side elevation view of the lidar sensor assembly shown in FIG. 1;
FIG. 5 is a right side elevation view of the lidar sensor assembly shown in FIG. 1;
FIG. 6 is a top plan view of the lidar sensor assembly shown in FIG. 1; and,
FIG. 7 is a bottom plan view of the lidar sensor assembly shown in FIG. 1.
The portions of the lidar sensor assembly shown in broken lines are for illustrative purposes only and form no part of the claimed design.

1 Claim, 6 Drawing Sheets



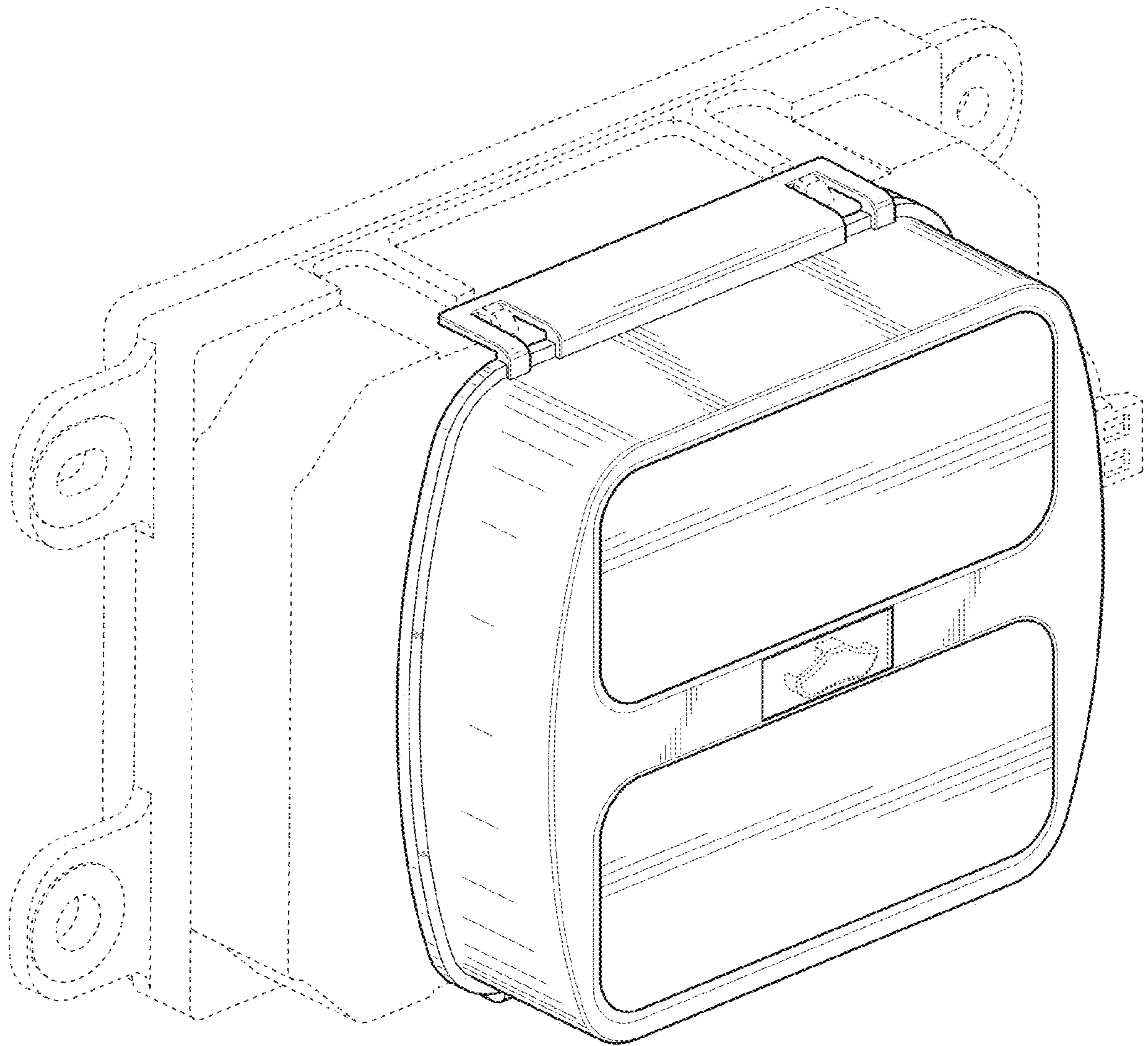


FIG. 1

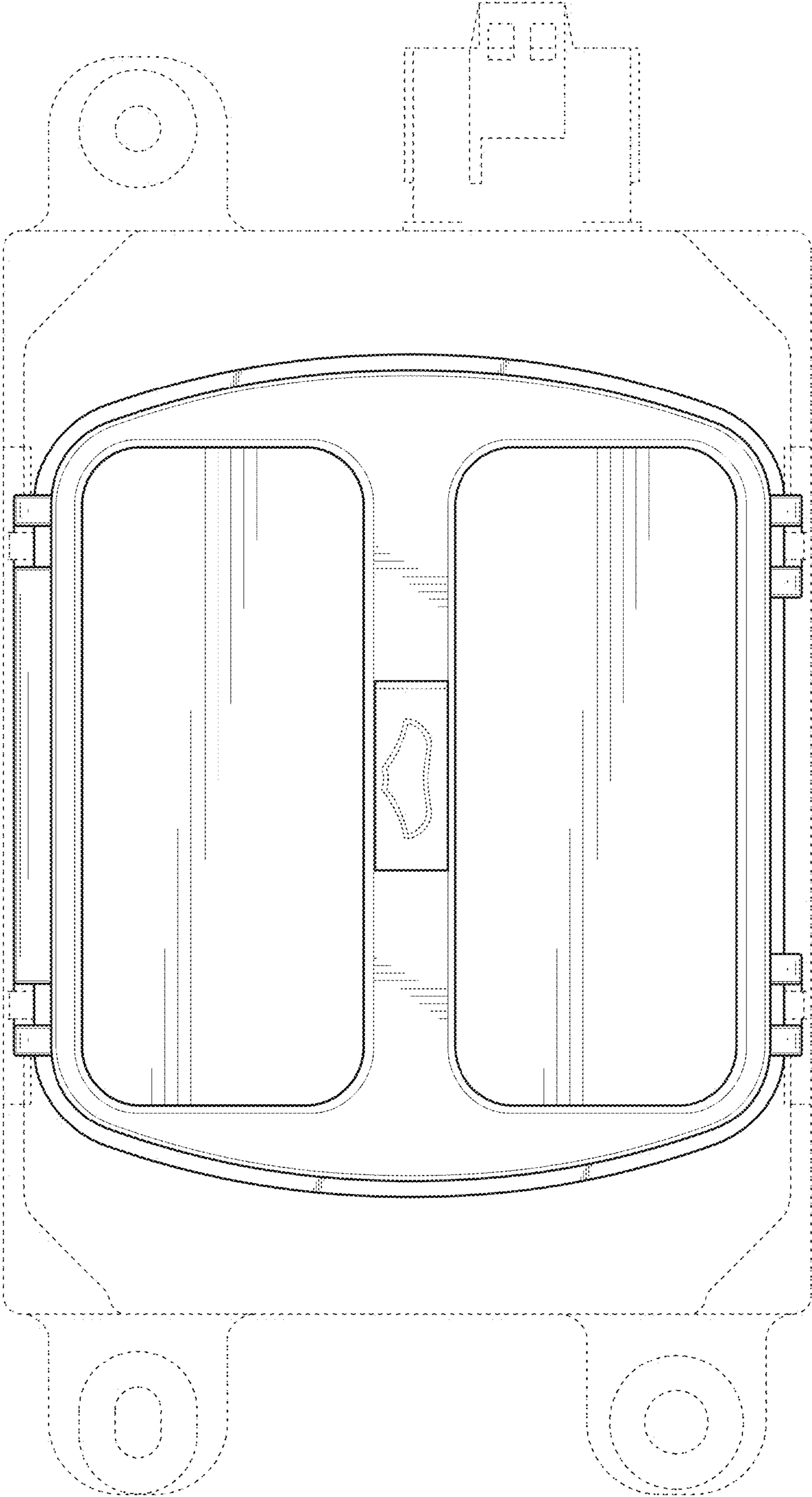


FIG. 2

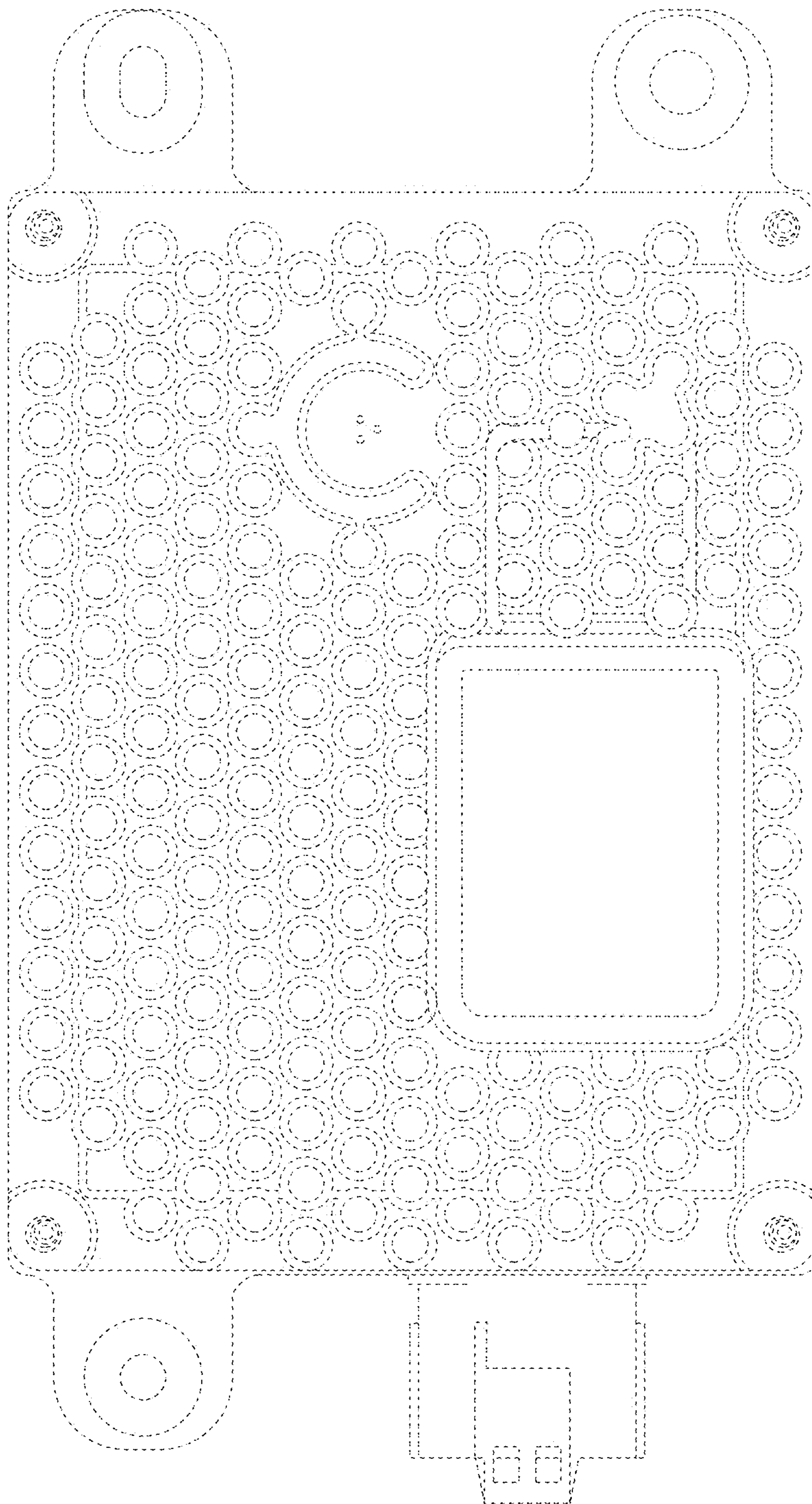


FIG. 3

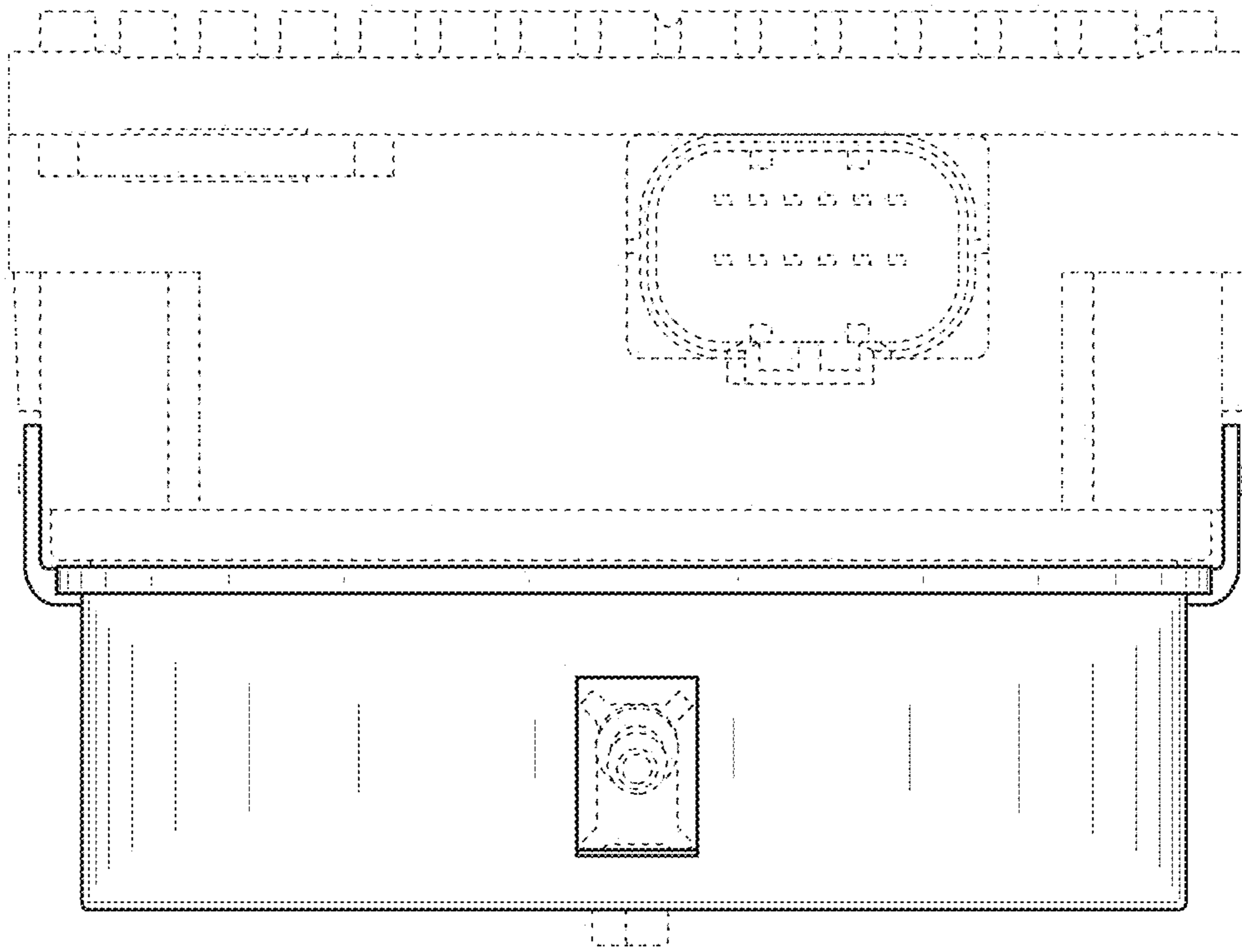


FIG. 5

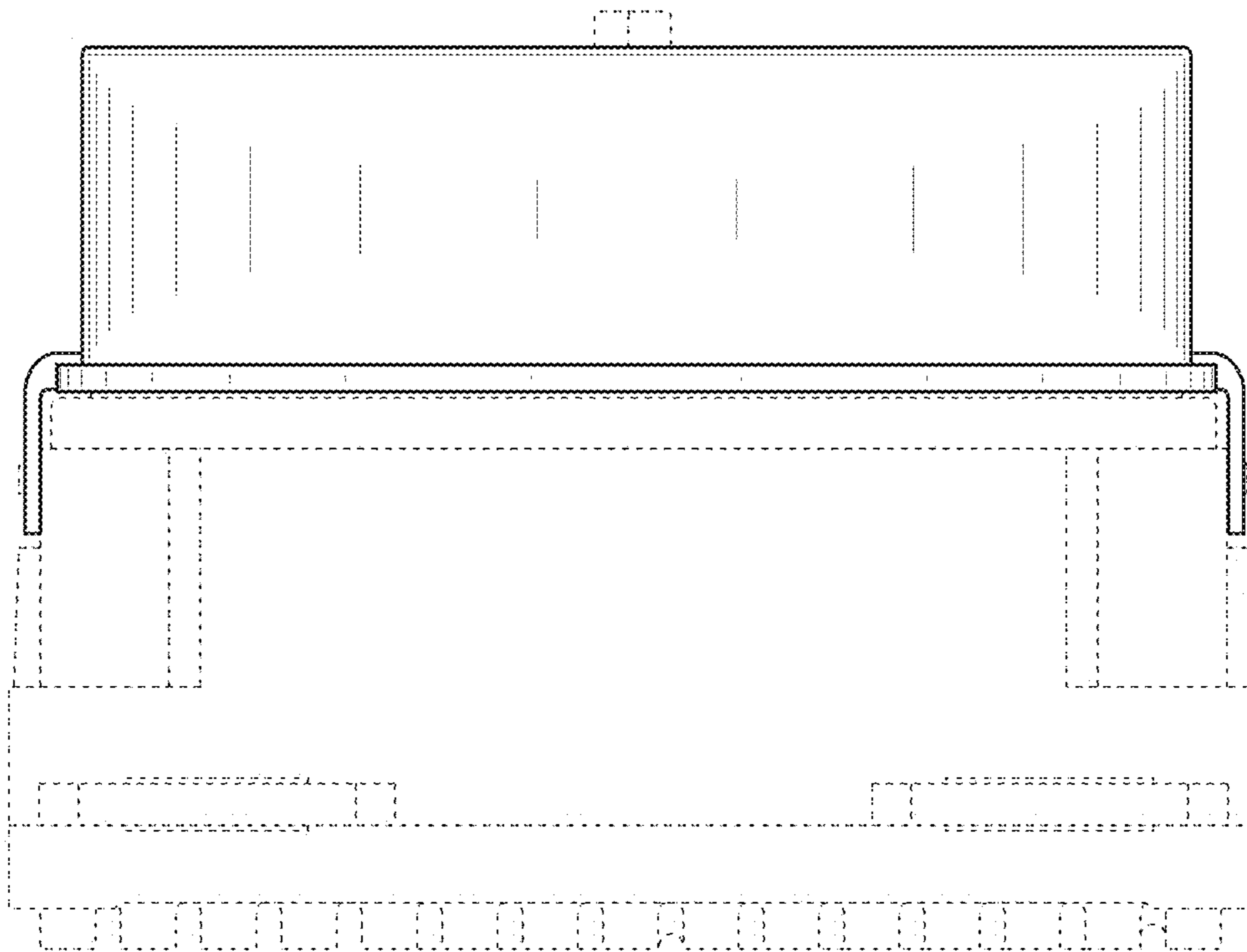


FIG. 4

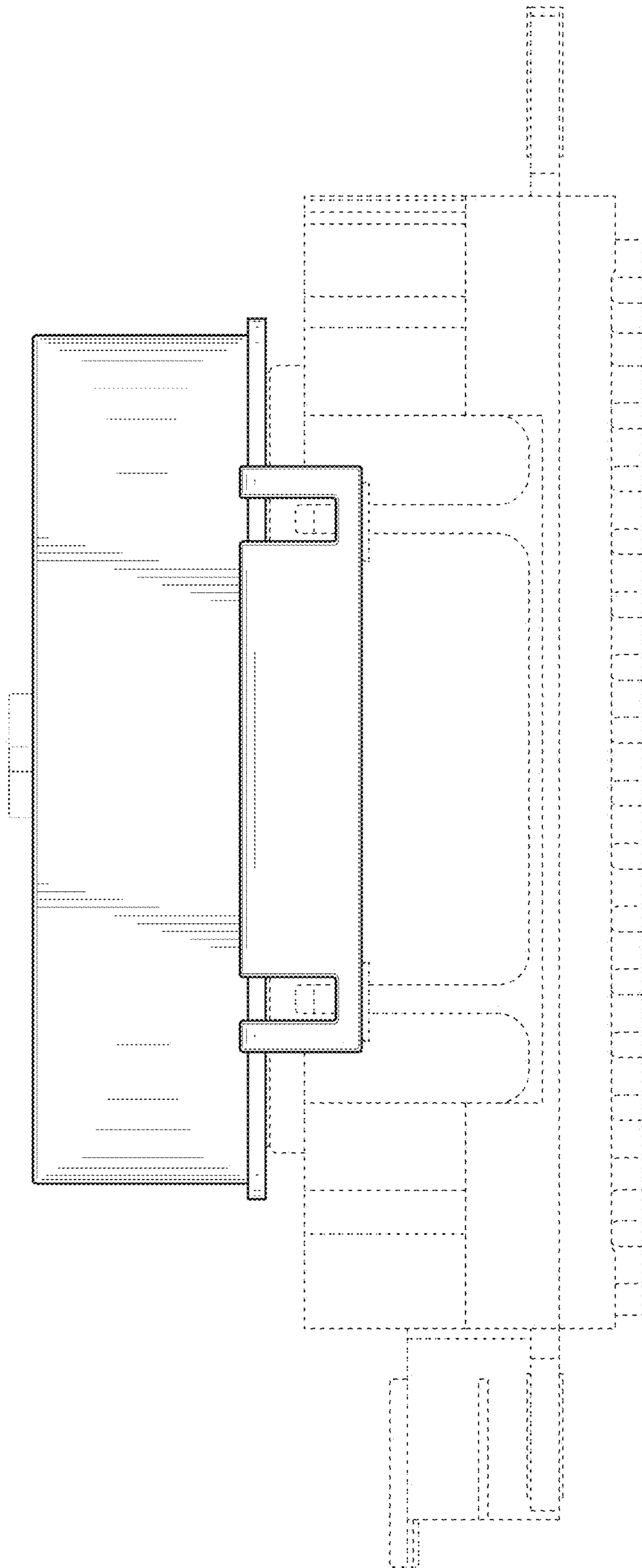


FIG. 6

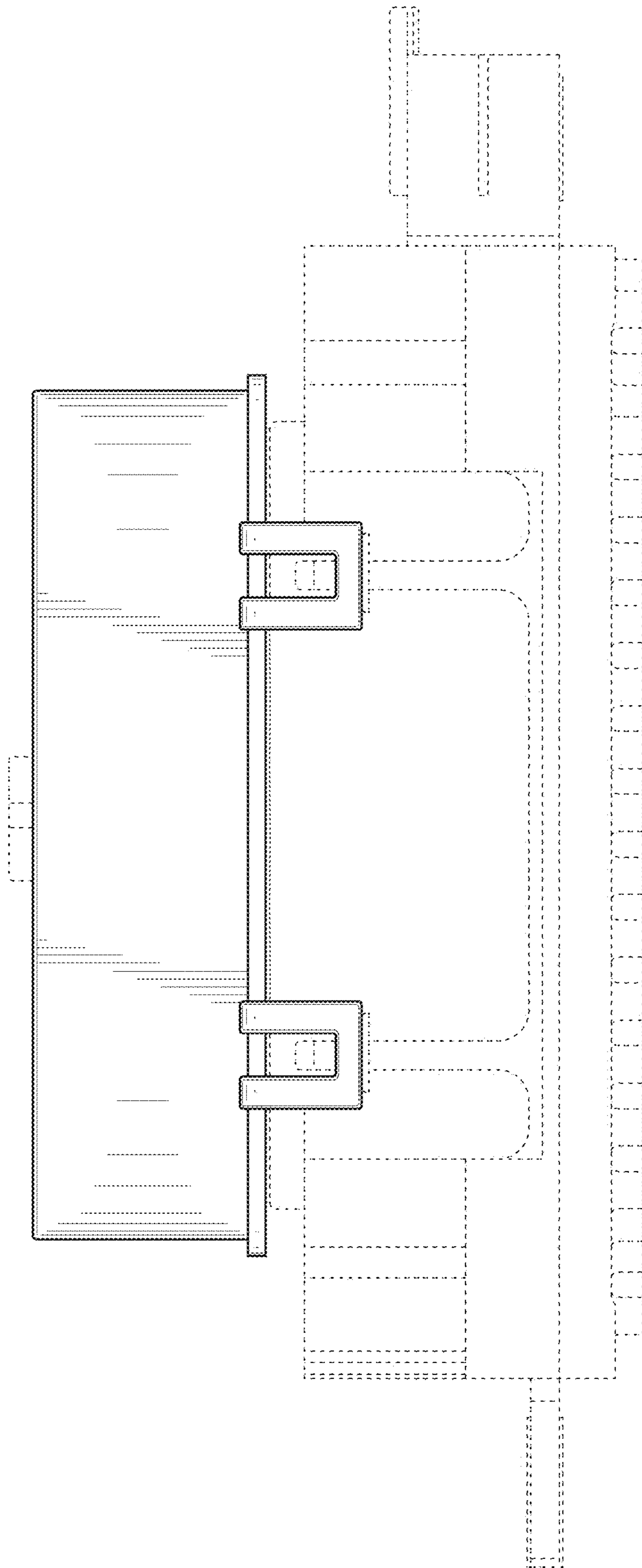


FIG. 7