



US00D969626S

(12) **United States Design Patent** (10) **Patent No.:** **US D969,626 S**
Turk (45) **Date of Patent:** **** Nov. 15, 2022**

(54) **FLOOR HEIGHT GAUGE**

(71) Applicant: **Brandon Turk**, Deerwood, MN (US)

(72) Inventor: **Brandon Turk**, Deerwood, MN (US)

(**) Term: **15 Years**

(21) Appl. No.: **29/768,755**

(22) Filed: **Feb. 1, 2021**

(51) **LOC (13) Cl.** **10-04**

(52) **U.S. Cl.**

USPC **D10/65**; D8/354

(58) **Field of Classification Search**

USPC D8/349, 354, 373-381, 382-399;
D10/65, 70, 74; D21/487; D23/266;
D25/43, 126

CPC . F16L 3/00; Y10T 403/51; G01B 3/30; G01B
3/34; E04G 21/10; B23K 3/06; A47G
23/0241

See application file for complete search history.

(56) **References Cited**

U.S. PATENT DOCUMENTS

- 627,280 A * 6/1899 Stiles
- 2,816,364 A * 12/1957 Fairfield G01B 3/30
33/544
- D209,273 S * 11/1967 Steinwedal D8/374
- 3,482,809 A * 12/1969 McCall F16L 3/00
248/205.1
- 4,385,447 A * 5/1983 Bennett G01B 3/34
33/555.1
- 5,138,867 A * 8/1992 Nish G01F 25/20
73/1.74
- 5,350,105 A * 9/1994 Delalle B23K 35/0222
228/56.3
- D376,713 S * 12/1996 Kelso D6/709.18

(Continued)

FOREIGN PATENT DOCUMENTS

CN 111335582 A * 6/2020 E04F 21/00

Primary Examiner — Antoine Duval Davis

(74) *Attorney, Agent, or Firm* — Antonio Papageorgiou,
Esq.; Lombard Geliebter LLP

(57) **CLAIM**

The ornamental design for a floor height gauge, as shown and described.

DESCRIPTION

FIG. 1 is a perspective view of one side and the top of the floor height gauge according to one embodiment of my new design;

FIG. 2 is a front view thereof;

FIG. 3 is a back view thereof;

FIG. 4 is a left side view thereof;

FIG. 5 is a right side view thereof;

FIG. 6 is a top view thereof; and

FIG. 7 is a bottom view thereof.

FIG. 8 is a perspective view of one side and the top of the floor height gauge according to a second embodiment of my new design;

FIG. 9 is a front view thereof;

FIG. 10 is a back view thereof;

FIG. 11 is a left side view thereof;

FIG. 12 is a right side view thereof;

FIG. 13 is a top view thereof; and

FIG. 14 is a bottom view thereof.

FIG. 15 is a perspective view of one side and the top of the floor height gauge according to a third embodiment of my new design;

FIG. 16 is a front view thereof;

FIG. 17 is a back view thereof;

FIG. 18 is a left side view thereof;

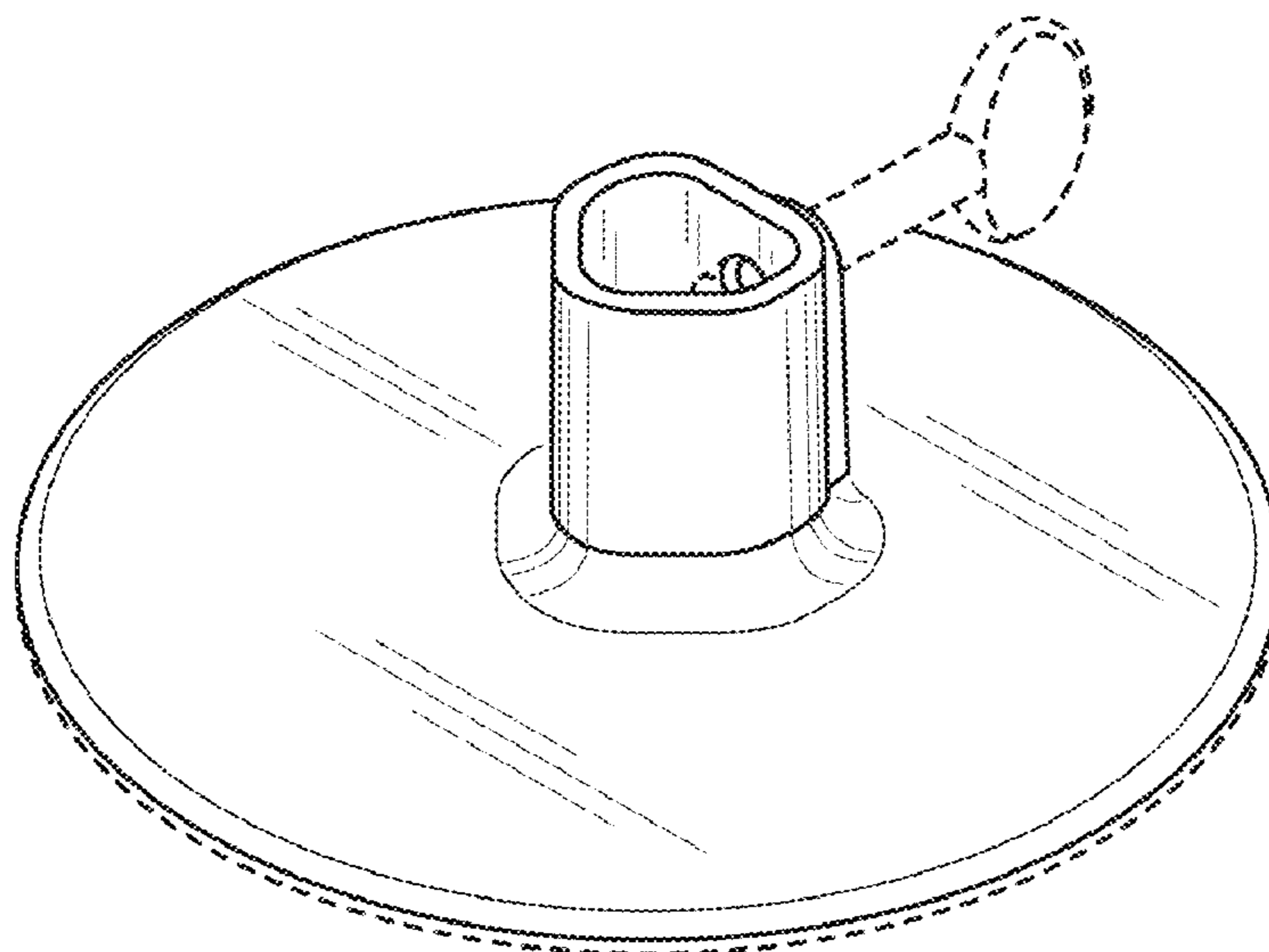
FIG. 19 is a right side view thereof;

FIG. 20 is a top view thereof; and,

FIG. 21 is a bottom view thereof.

The broken lines shown represent portions of the floor height gauge that form no part of the claimed design.

1 Claim, 6 Drawing Sheets



(56)

References Cited

U.S. PATENT DOCUMENTS

5,755,418 A * 5/1998 Kracke B67D 3/0029
 211/74
 6,109,581 A * 8/2000 Kracke A47G 23/0241
 211/74
 D450,236 S * 11/2001 Shinjo D8/397
 D451,374 S * 12/2001 Shinjo D8/397
 D452,428 S * 12/2001 Shinjo D8/397
 6,953,304 B2 10/2005 Quenzi et al.
 7,121,762 B2 10/2006 Quenzi et al.
 7,491,011 B2 2/2009 Quenzi et al.
 D594,735 S * 6/2009 Hofer D8/349
 7,568,864 B2 * 8/2009 Sjoo B23B 27/04
 407/11
 7,909,533 B2 3/2011 Quenzi et al.
 9,658,058 B1 5/2017 Jones
 D808,248 S * 1/2018 Krombein D8/354
 D837,041 S * 1/2019 Barnes D8/382
 D906,798 S * 1/2021 Moriya D8/396
 D935,910 S * 11/2021 Turk D10/65
 D951,784 S * 5/2022 Turk D10/65
 2015/0275505 A1 * 10/2015 Thompson E04B 1/4121
 52/699
 2018/0051972 A1 * 2/2018 Park G01B 5/012

* cited by examiner

FIG. 1

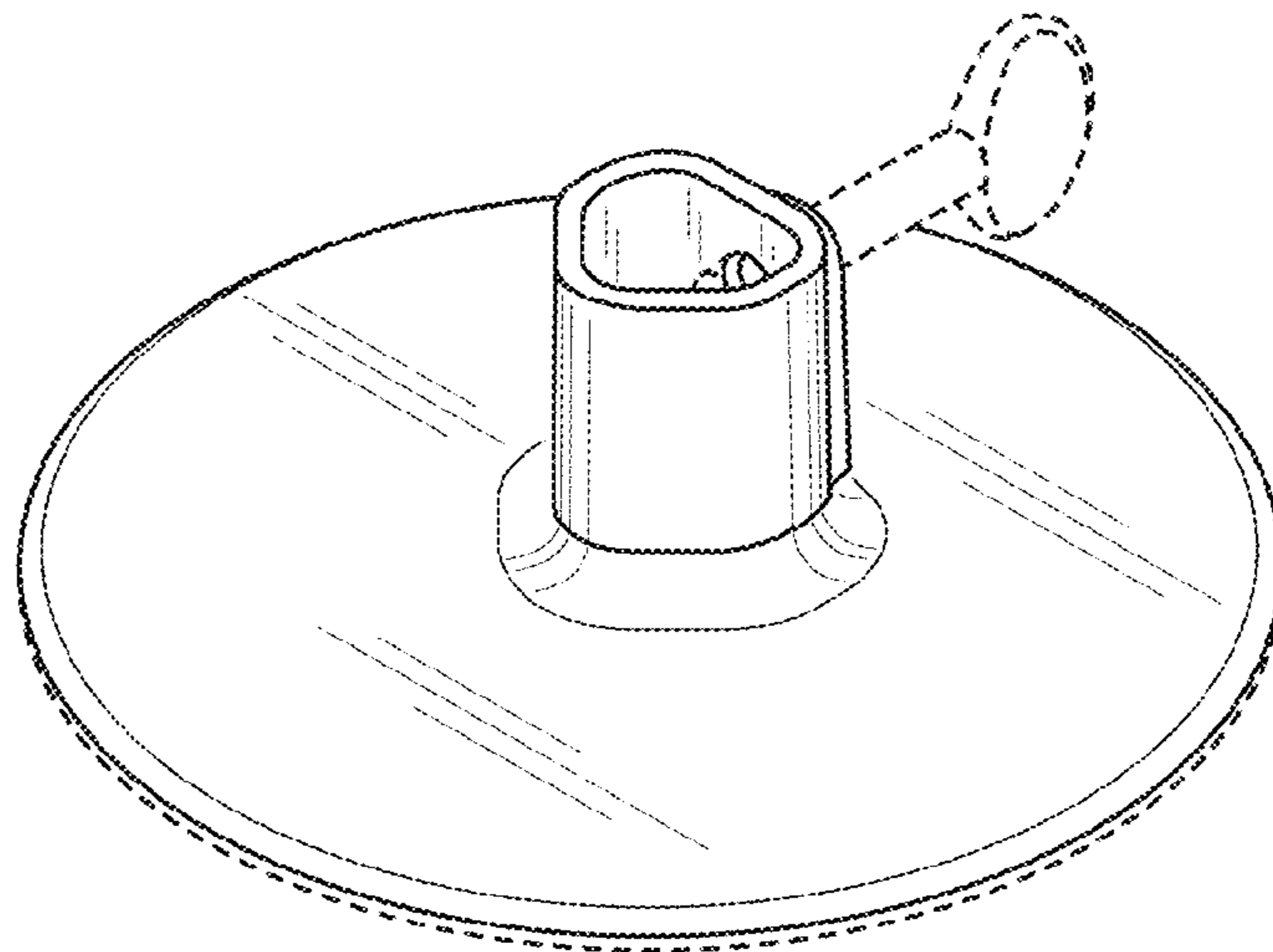


FIG. 2

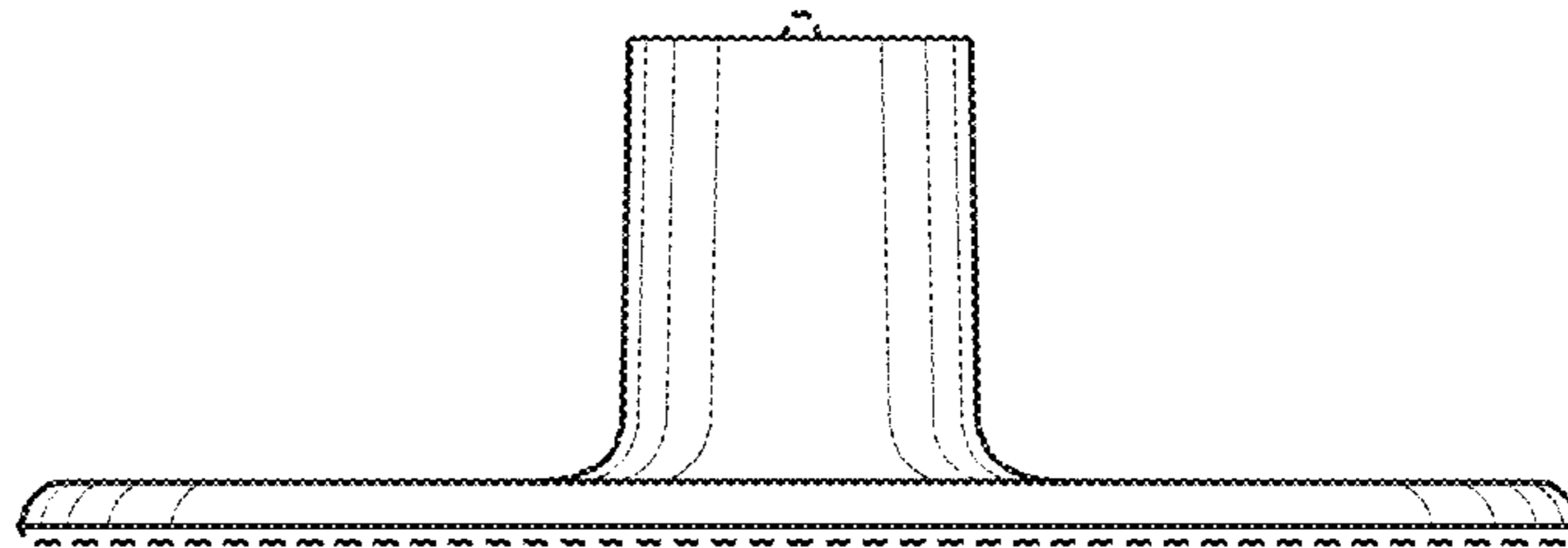


FIG. 3

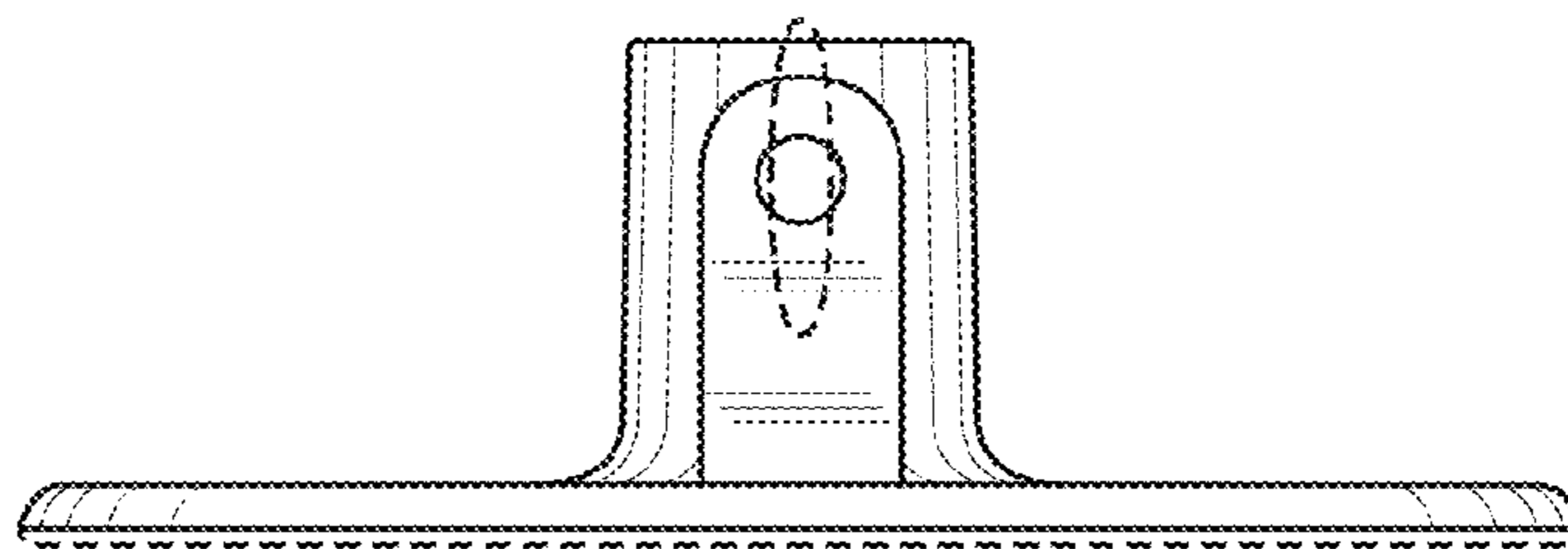


FIG. 4

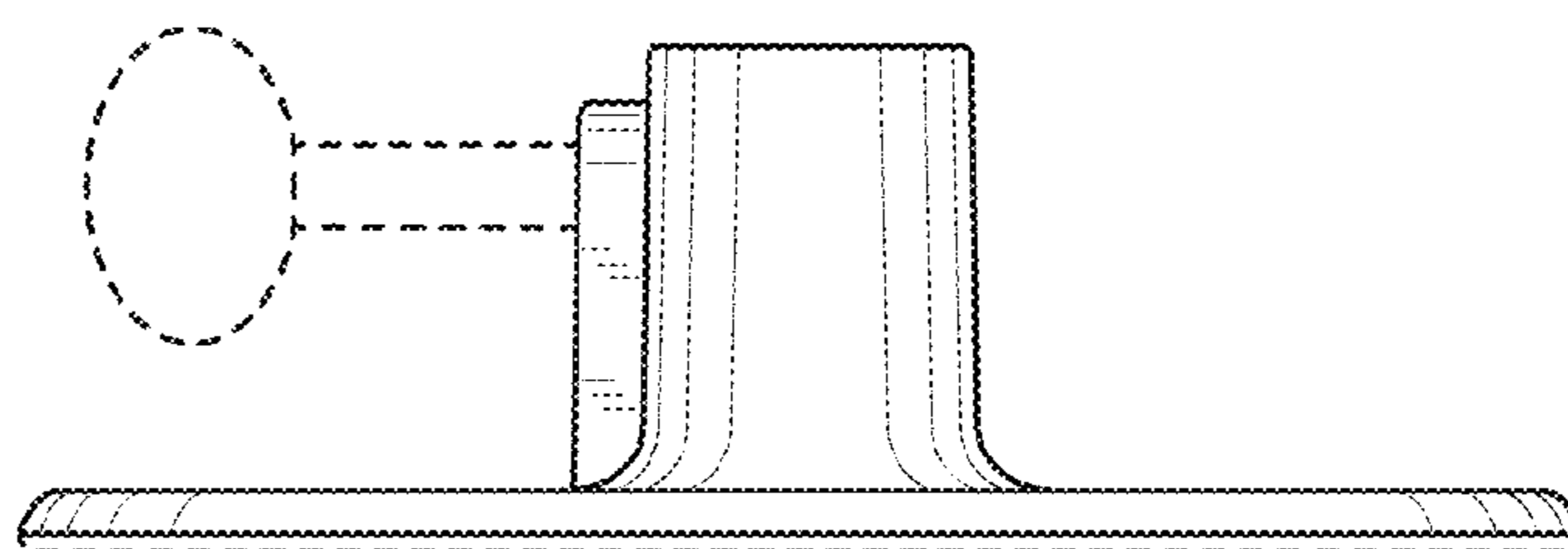


FIG. 5

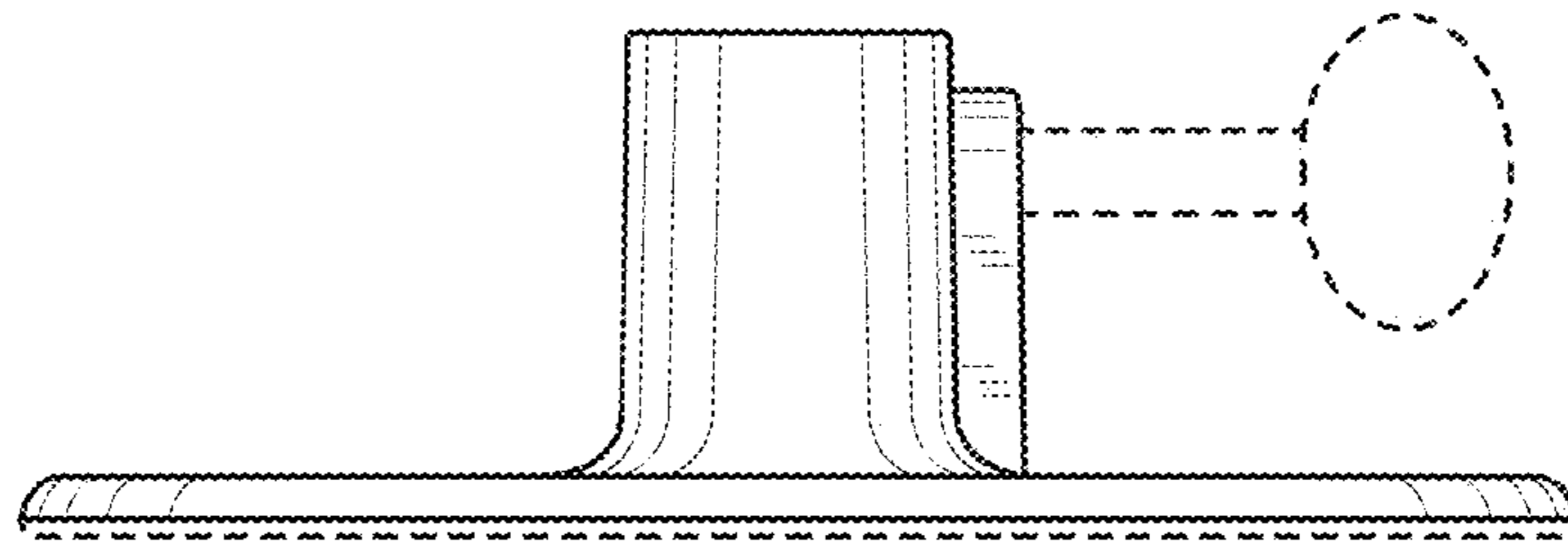


FIG. 6

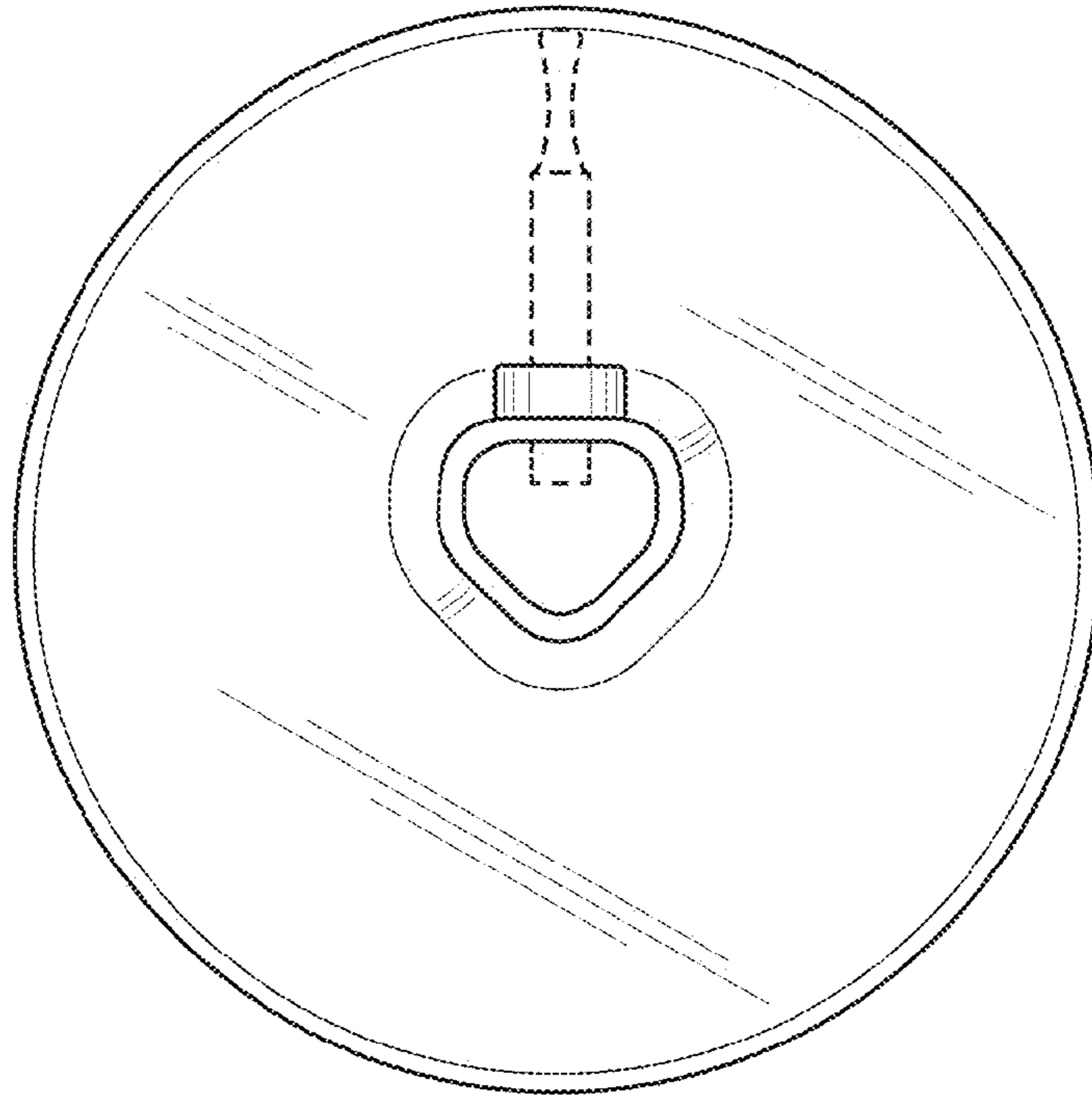


FIG. 7

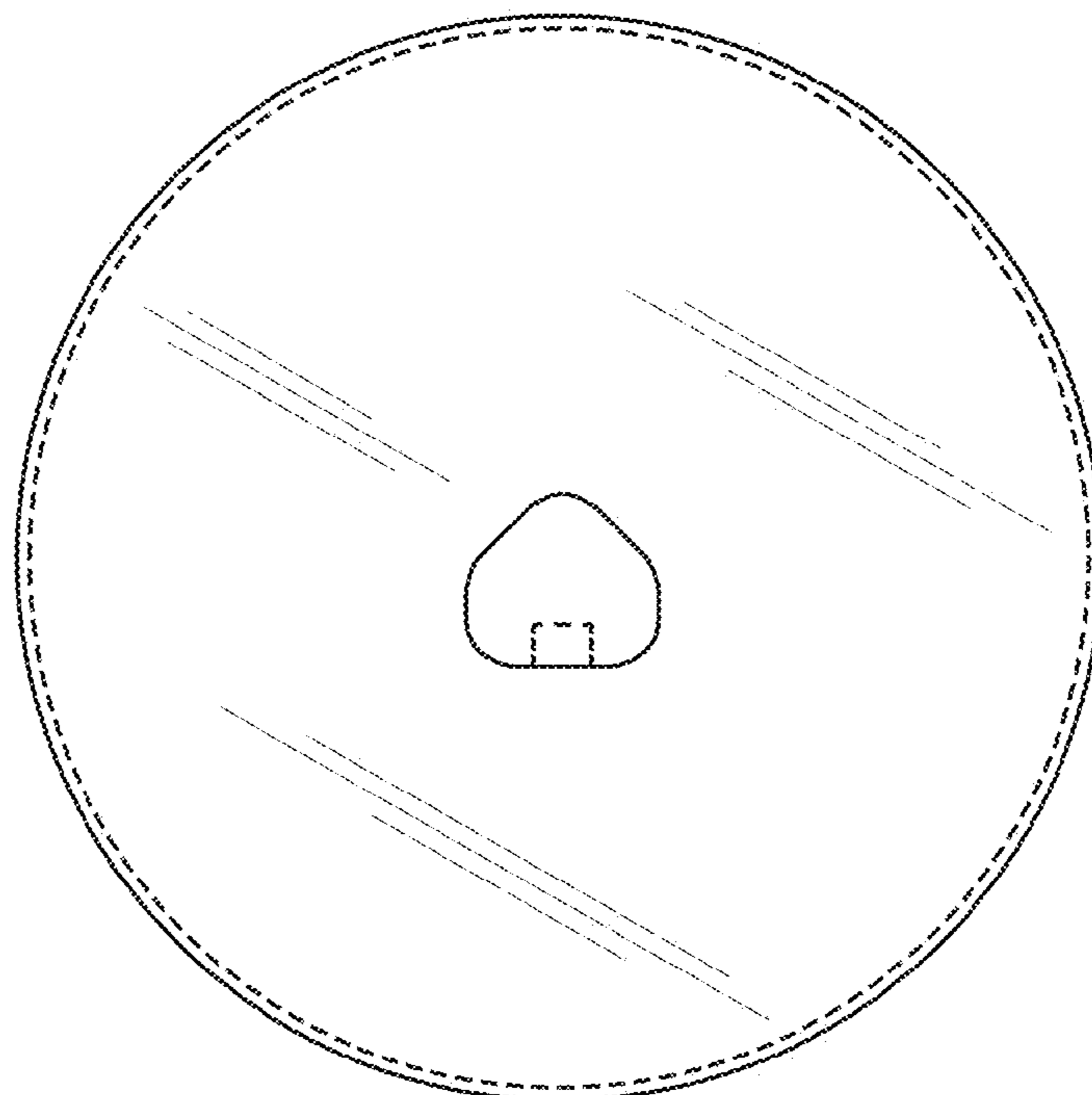


FIG. 8

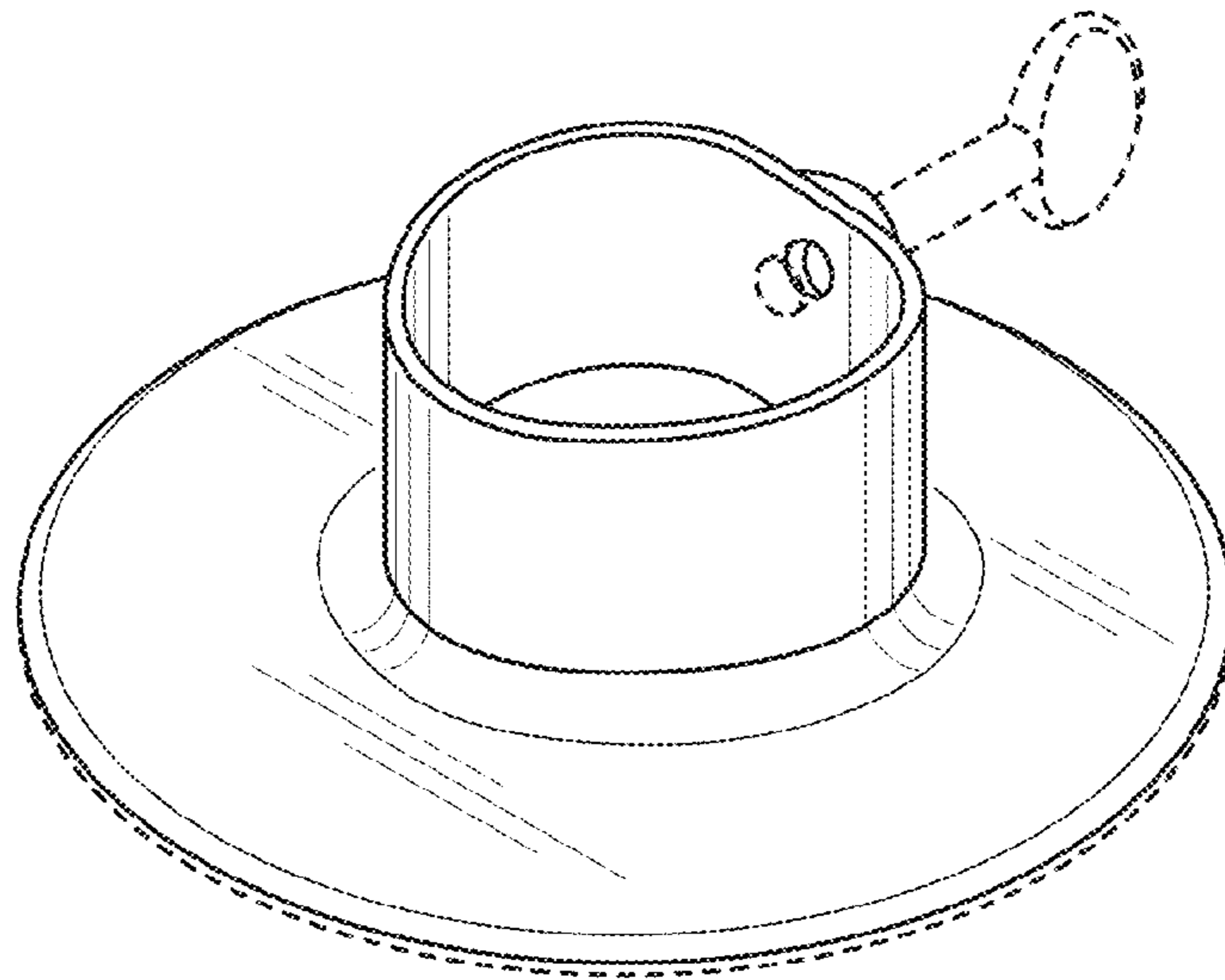


FIG. 9

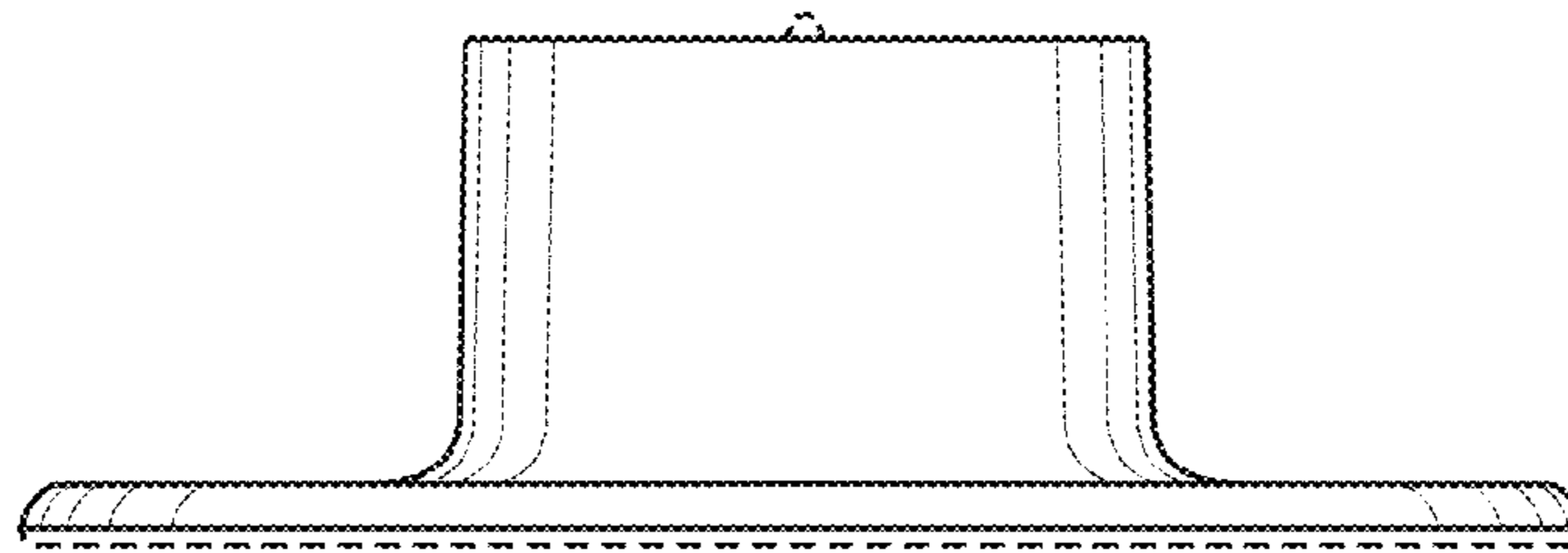


FIG. 10

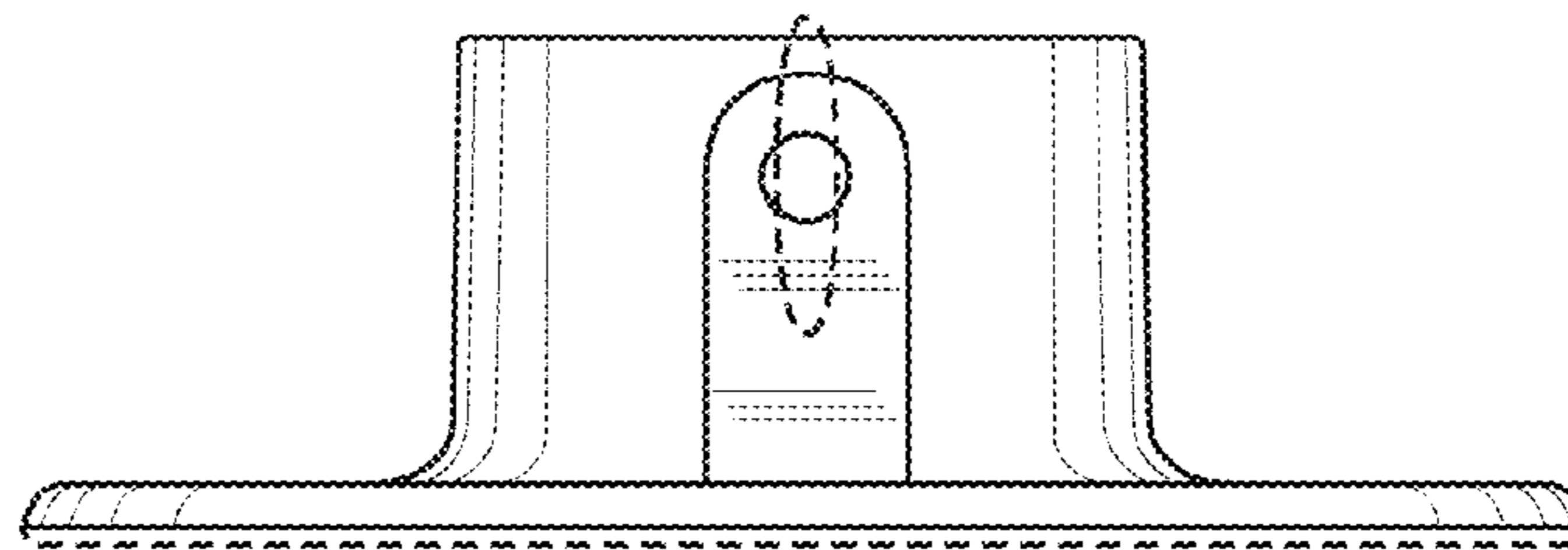


FIG. 11

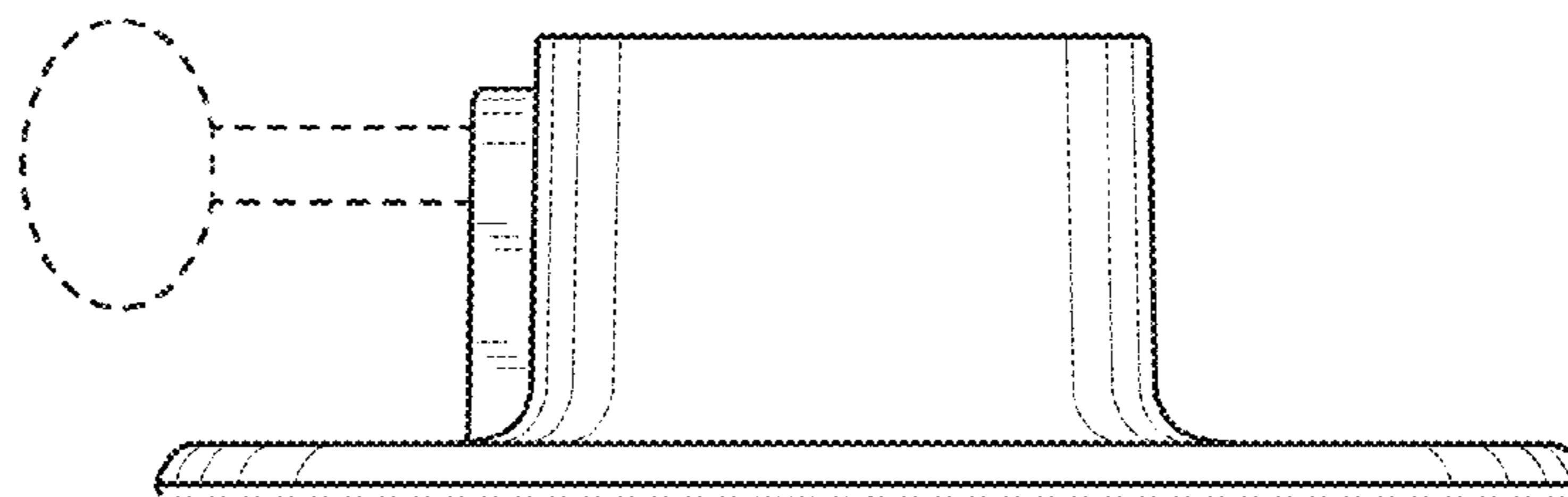


FIG. 12

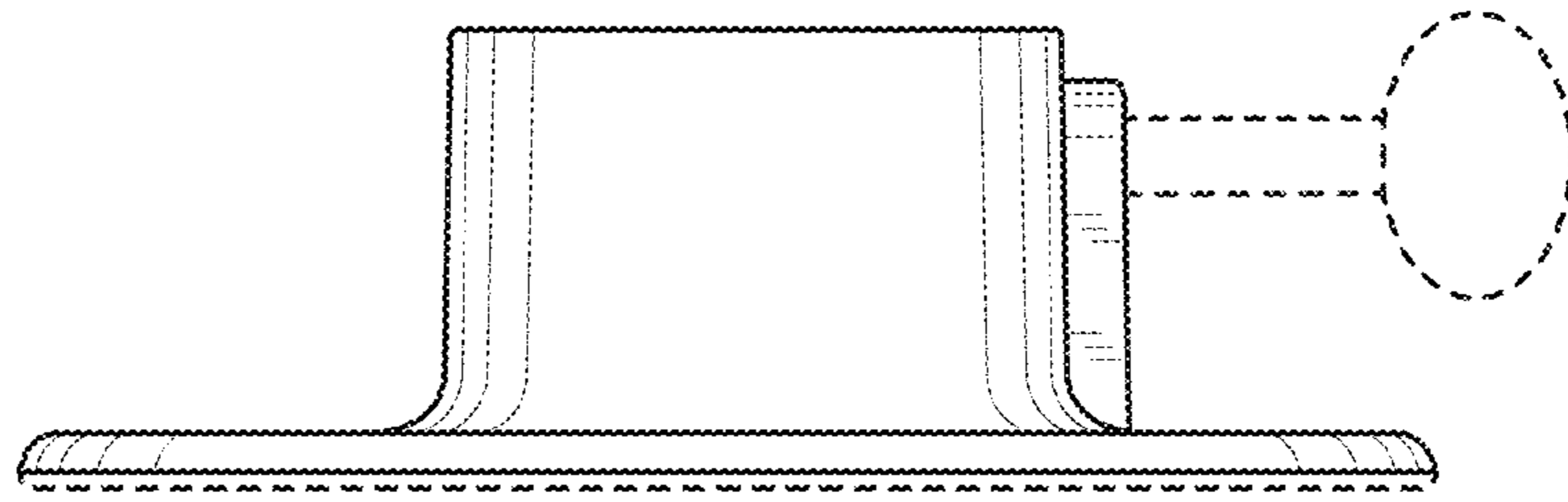


FIG. 13

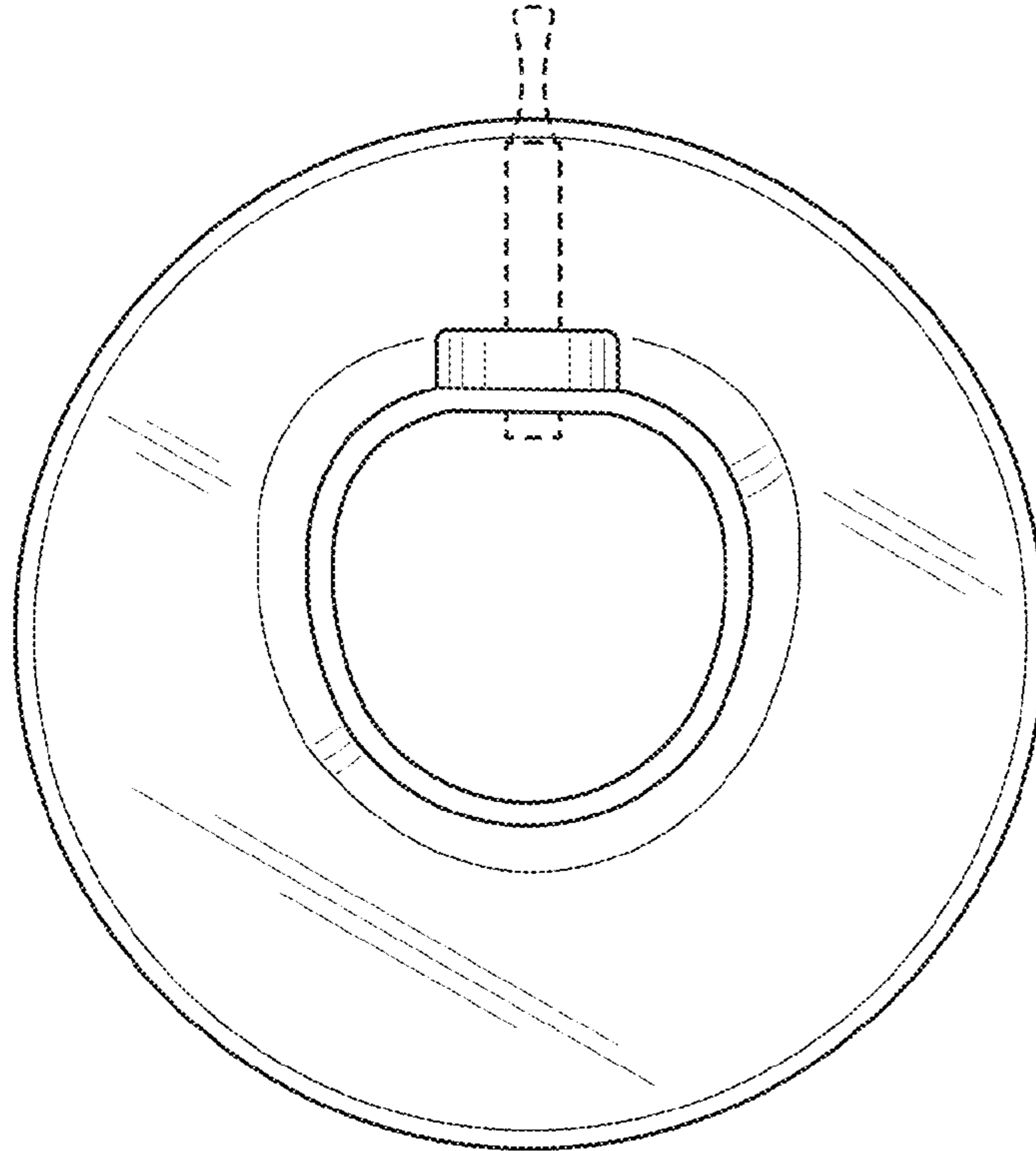


FIG. 14

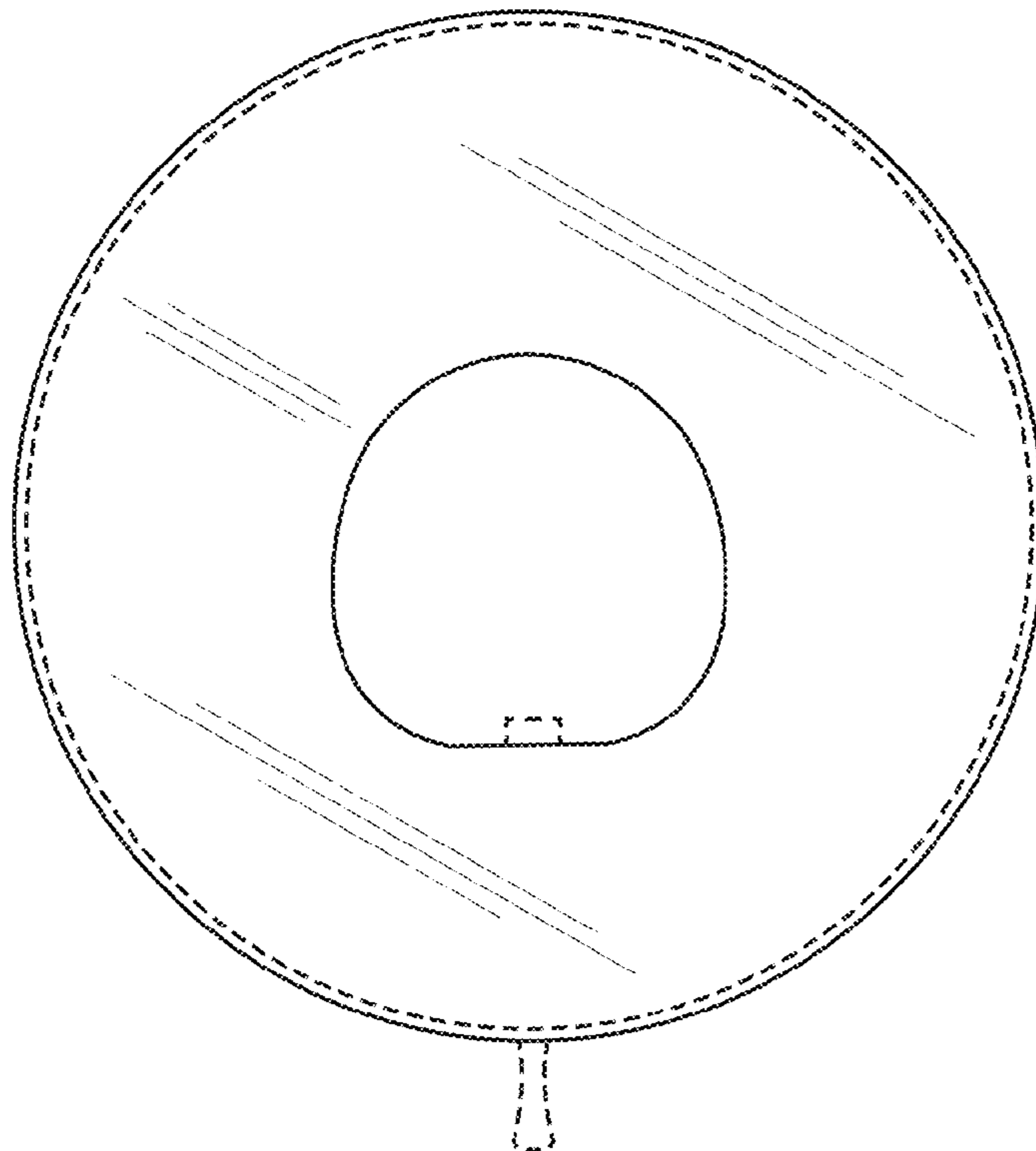


FIG. 15

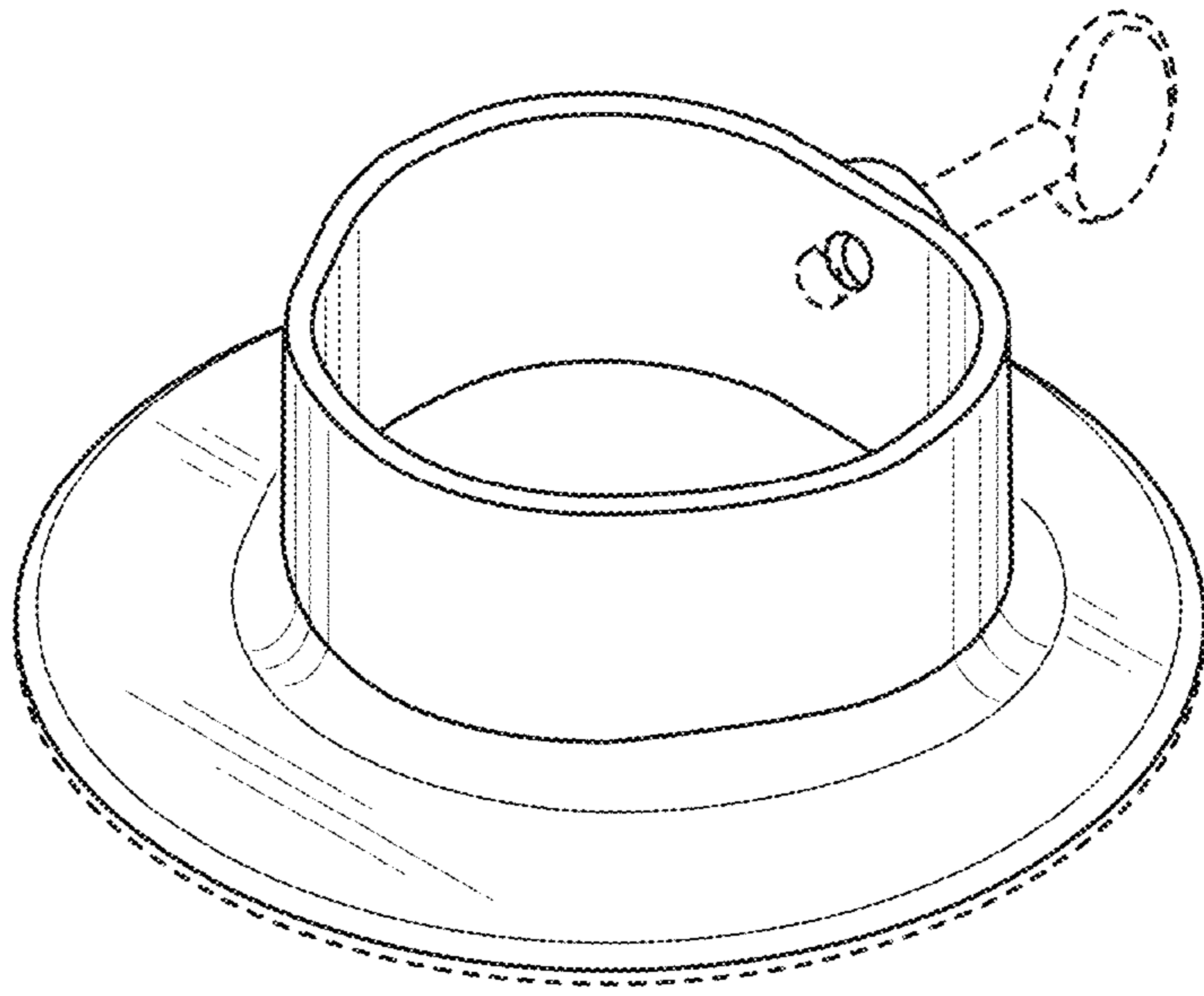


FIG. 16

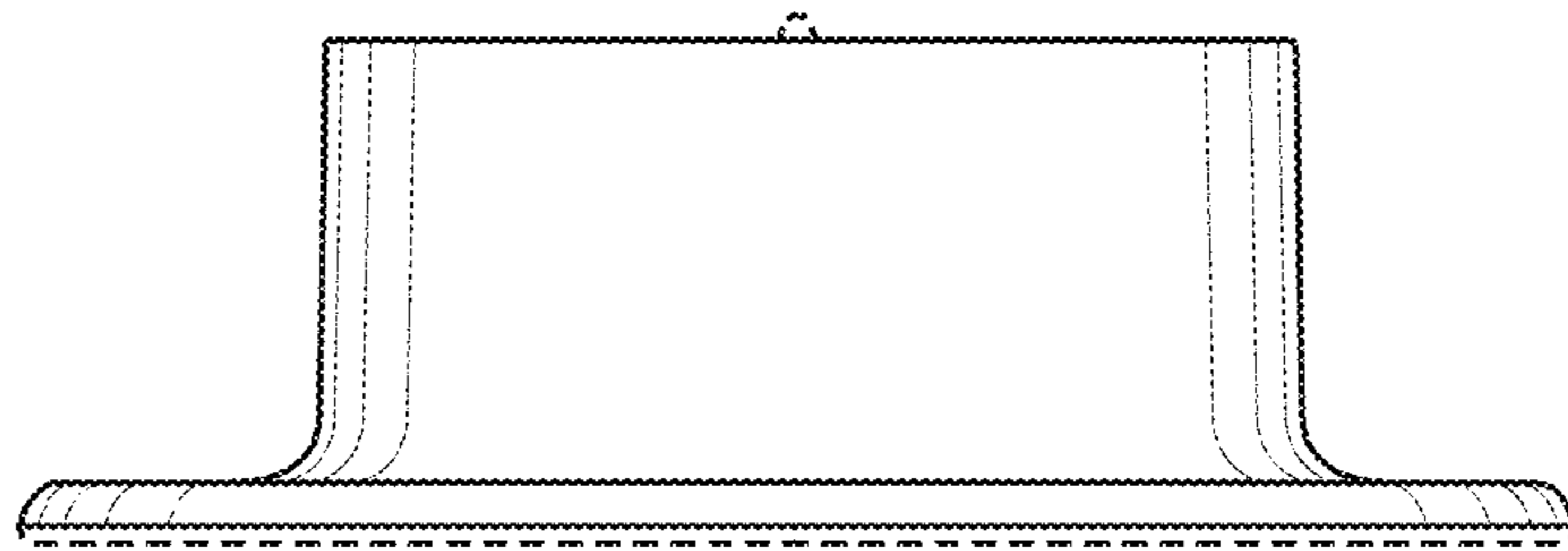


FIG. 17

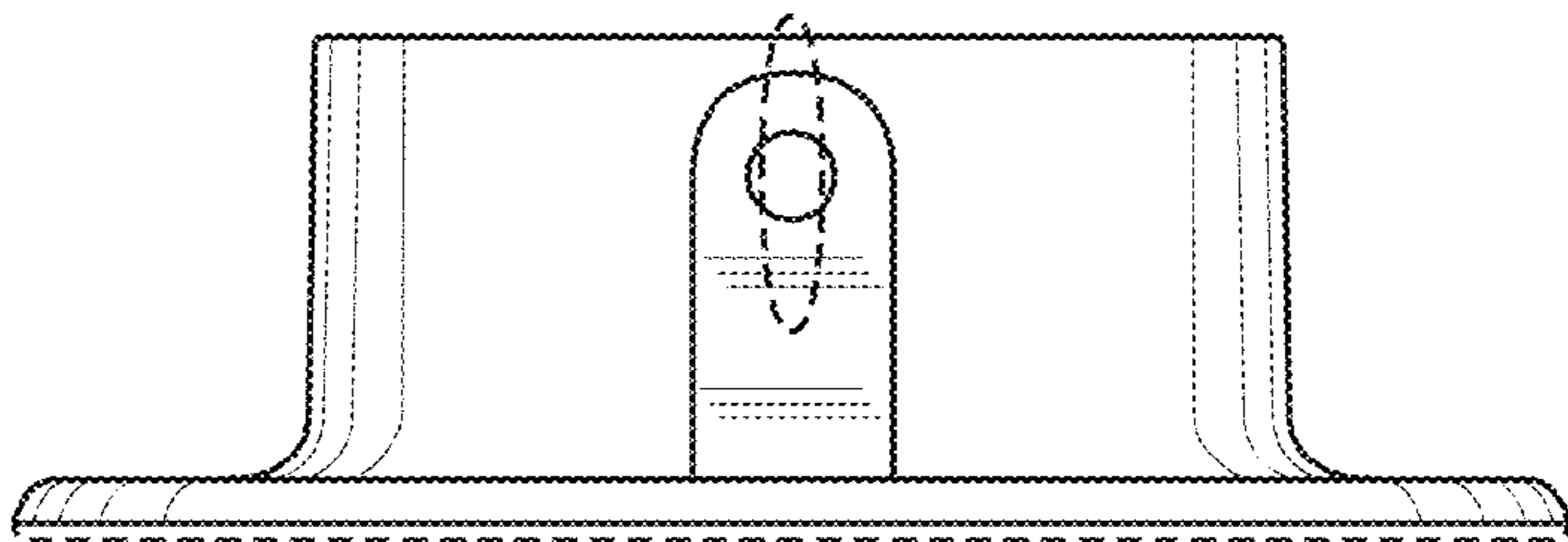


FIG. 18

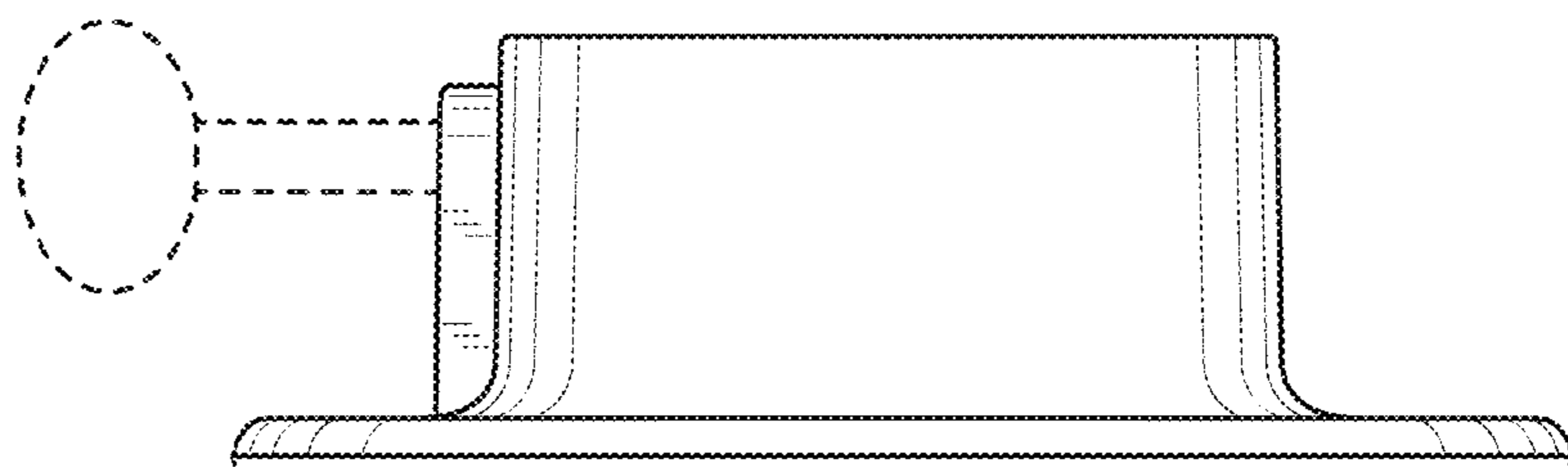


FIG. 19

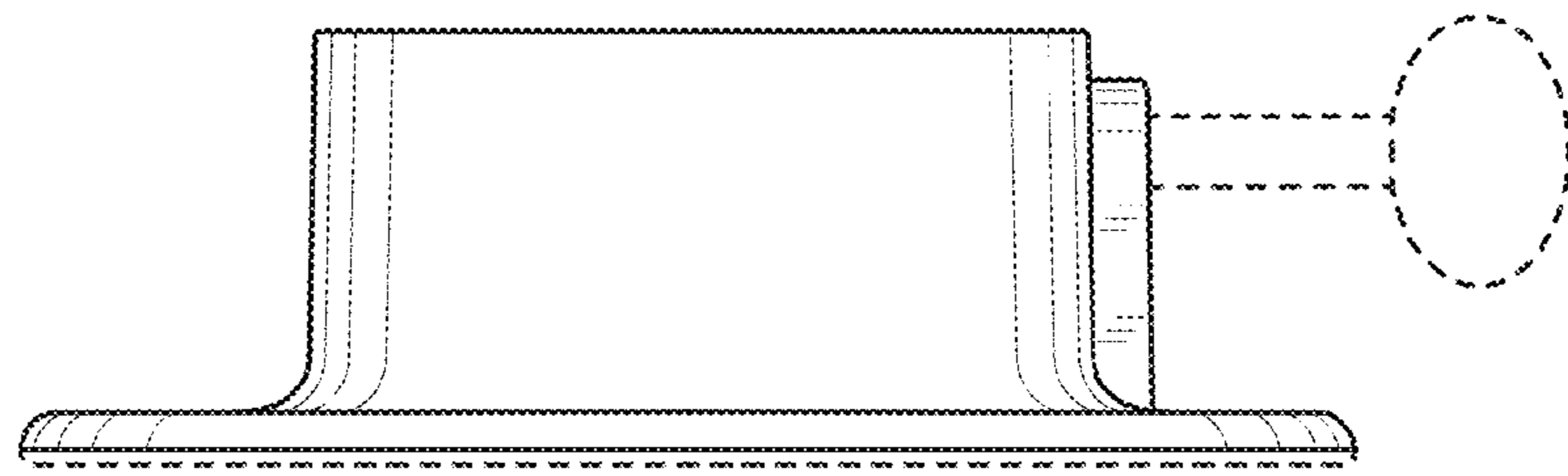


FIG. 20

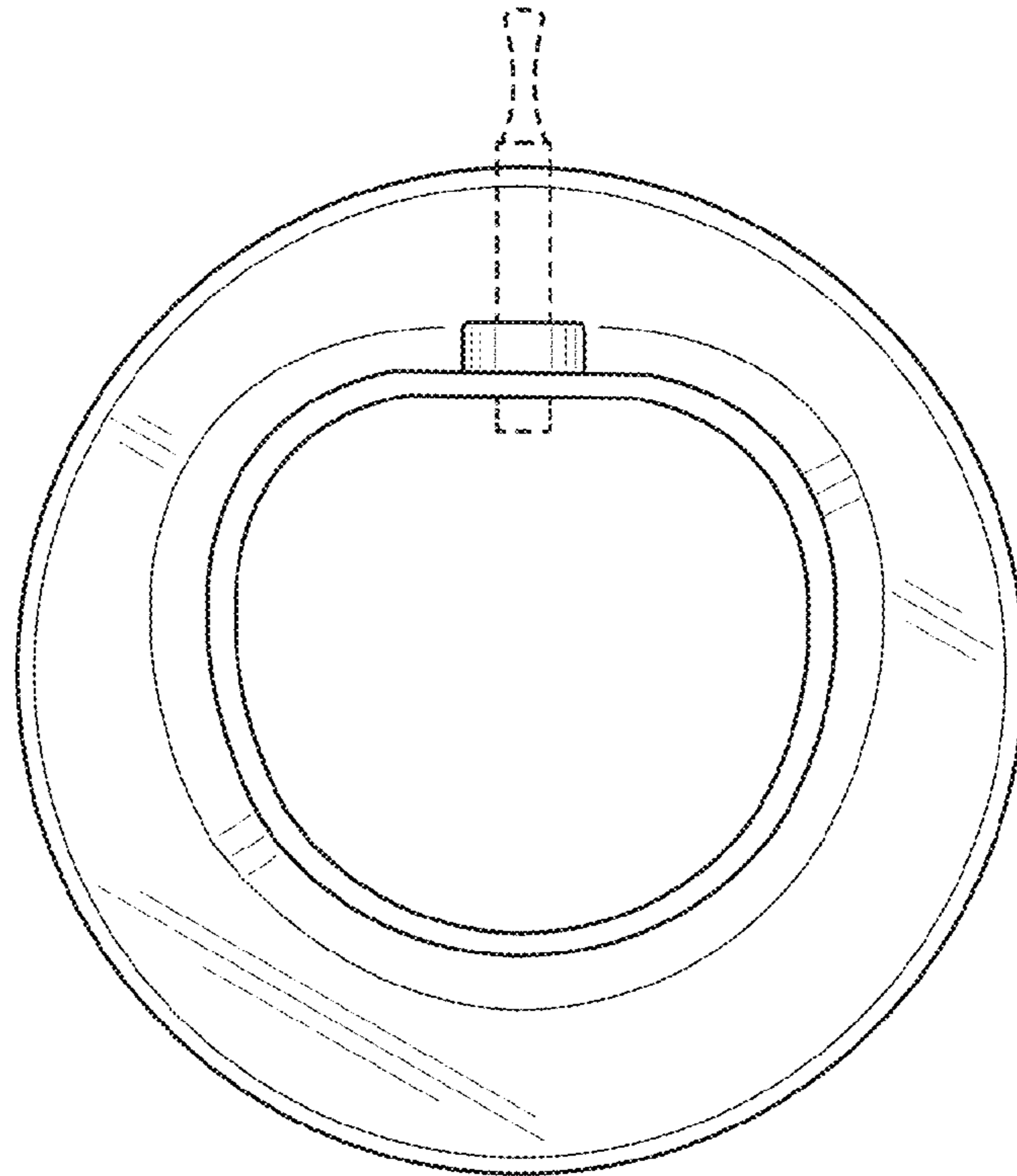


FIG. 21

