

US00D969625S

(12) **United States Design Patent** (10) **Patent No.:** **US D969,625 S**
Feng (45) **Date of Patent:** **** Nov. 15, 2022**

(54) **CONTOUR GAUGE**
(71) Applicant: **Bifeng Feng**, Zhejiang Prov. (CN)
(72) Inventor: **Bifeng Feng**, Zhejiang Prov. (CN)
(**) Term: **15 Years**
(21) Appl. No.: **29/732,035**

D902,753 S * 11/2020 Zhang D10/65
D903,514 S * 12/2020 Fu D10/65
D904,210 S * 12/2020 Chen D10/65
D915,911 S * 4/2021 Fu D10/65
D915,912 S * 4/2021 Fu D10/65
D917,315 S * 4/2021 Shen D10/65
D918,068 S * 5/2021 Fu D10/65
D920,815 S * 6/2021 Wang D10/65
D927,333 S * 8/2021 Liu D10/65
D944,666 S * 3/2022 Li D10/65
D957,965 S * 7/2022 Liu D10/65

(22) Filed: **Apr. 21, 2020**
(51) **LOC (13) Cl.** **10-04**
(52) **U.S. Cl.**
USPC **D10/65**
(58) **Field of Classification Search**
USPC .. D10/52, 15, 57, 50, 104.1, 62, 64, 66, 70;
D8/99, 100, 105
CPC ... G01B 5/20; B25H 7/04; B28D 1/22; B28D
1/223; B28D 1/225; B28D 1/228; E04F
21/0076; E04F 21/18; E04F 21/20; Y10S
33/20
See application file for complete search history.

FOREIGN PATENT DOCUMENTS

CN 305631545 * 2/2020

* cited by examiner

Primary Examiner — George D. Kirschbaum
Assistant Examiner — Antoinette Martine Suiter

(57) **CLAIM**

The ornamental design for a contour gauge, as shown and described.

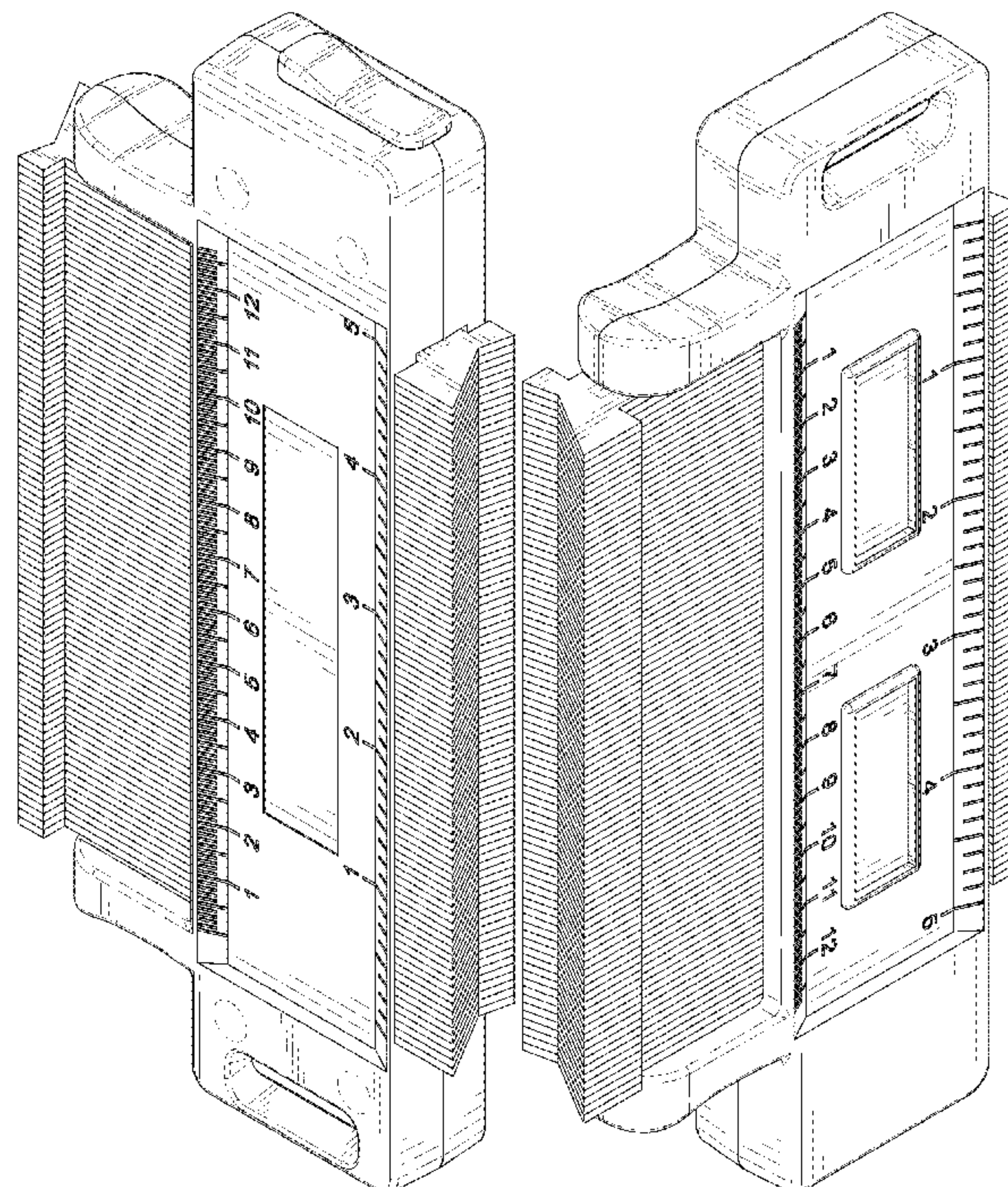
DESCRIPTION

FIG. 1 is a front and top perspective view of a contour gauge, showing my new design;
FIG. 2 is a rear and bottom perspective view thereof;
FIG. 3 is a front elevational view thereof;
FIG. 4 is a rear elevational view thereof;
FIG. 5 is a left side elevational view thereof;
FIG. 6 is a right side elevational view thereof;
FIG. 7 is a top plan view thereof; and,
FIG. 8 is a bottom plan view thereof.
The broken lines in the figures illustrate portions of the article that form no part of the claimed design.

(56) **References Cited**
U.S. PATENT DOCUMENTS

2,949,674 A * 8/1960 Wexler G01B 5/20
33/561.1
D200,350 S * 2/1965 Le Bourhis D10/64
D287,702 S * 1/1987 Klagenberg D10/58
4,956,924 A * 9/1990 Hu G01B 5/207
33/561.1
5,361,508 A * 11/1994 Ruggiero E04F 21/0076
33/527
D671,018 S * 11/2012 Maste D10/65
9,778,012 B1 * 10/2017 Fales G01B 5/207
D885,212 S * 5/2020 Fu D10/65
D896,671 S * 9/2020 Li D10/65

1 Claim, 8 Drawing Sheets



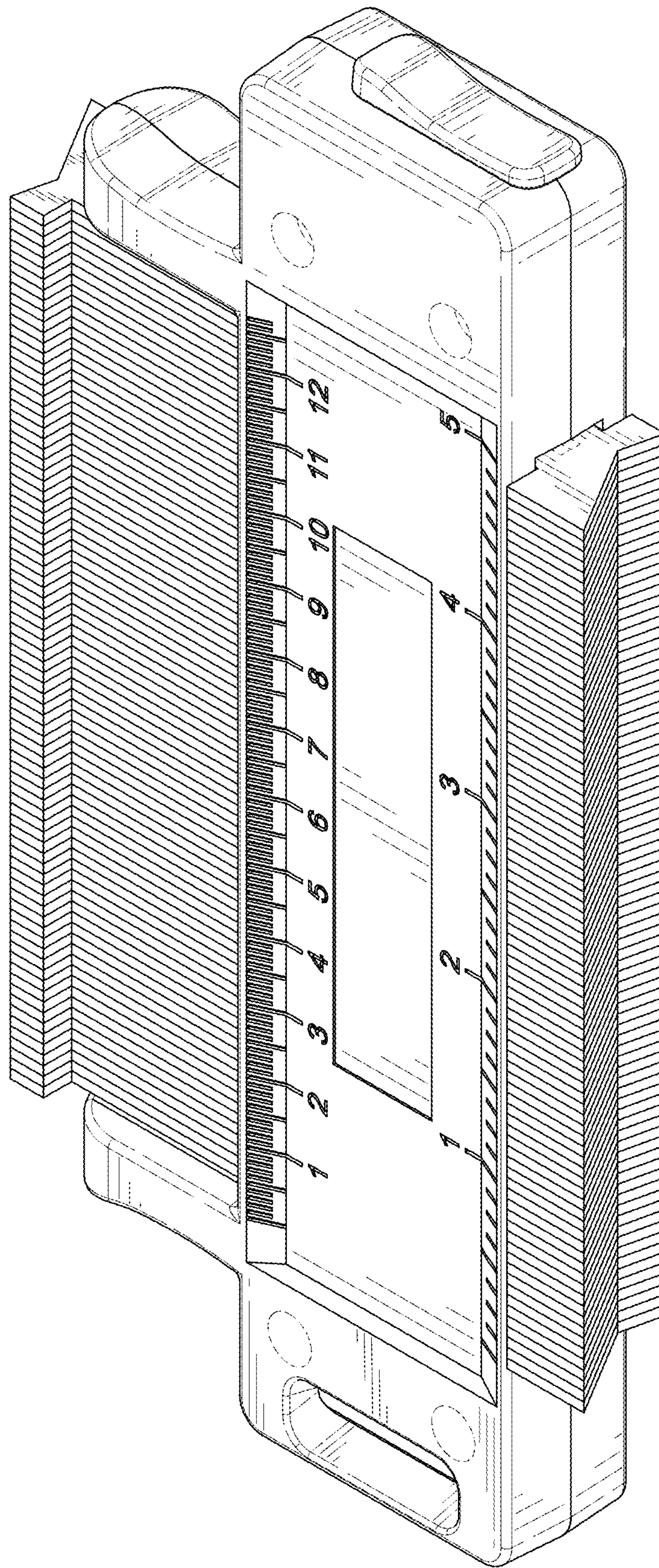


FIG. 1

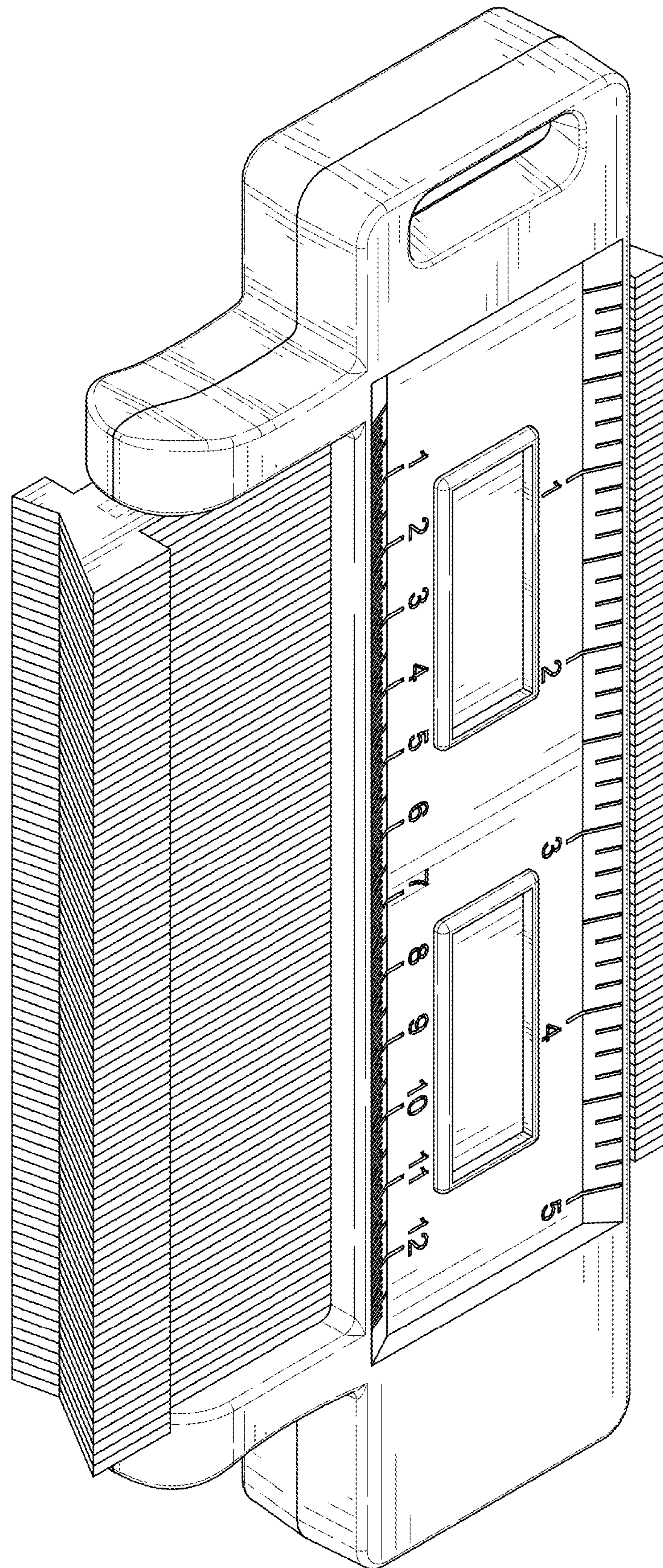


FIG. 2

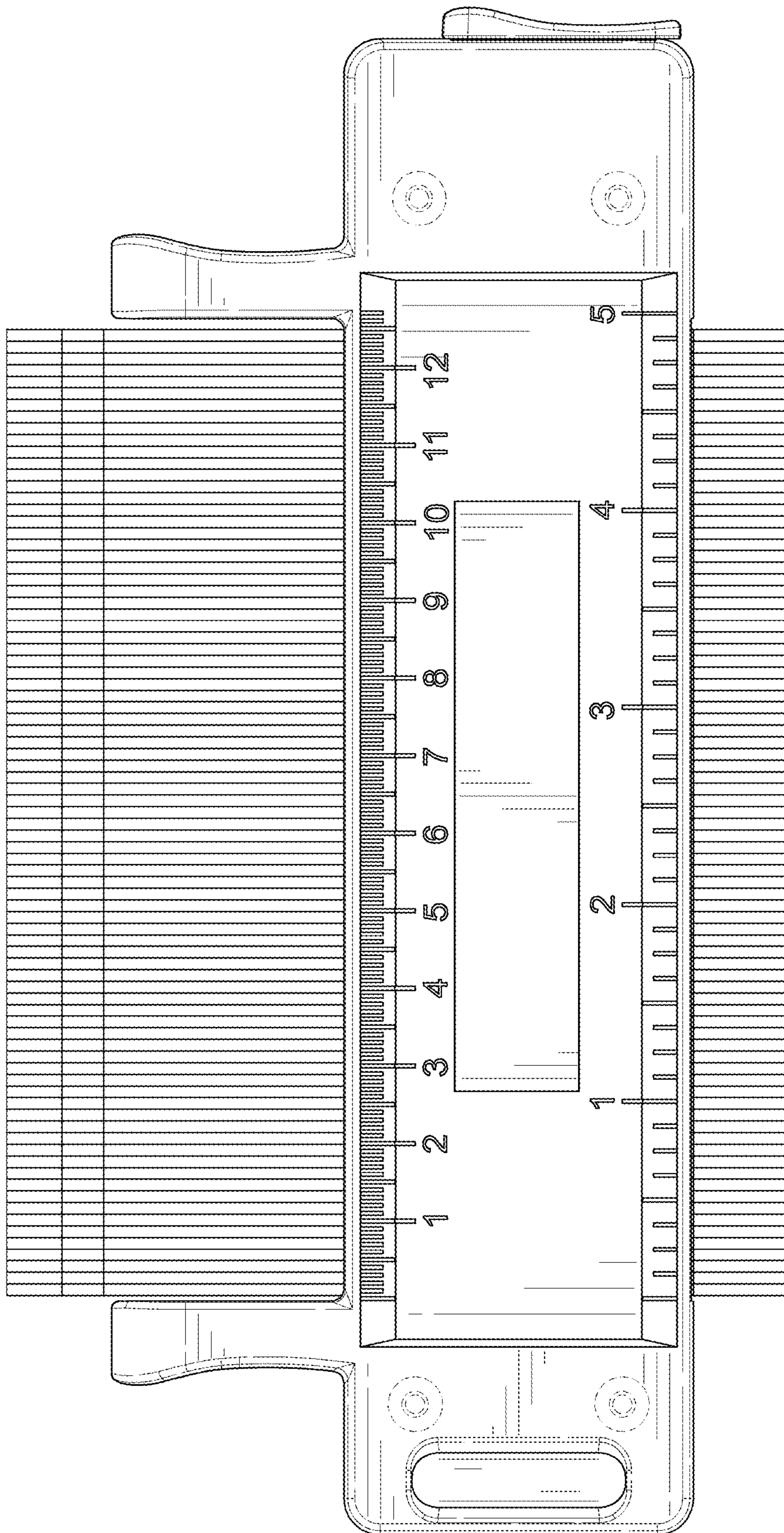


FIG. 3

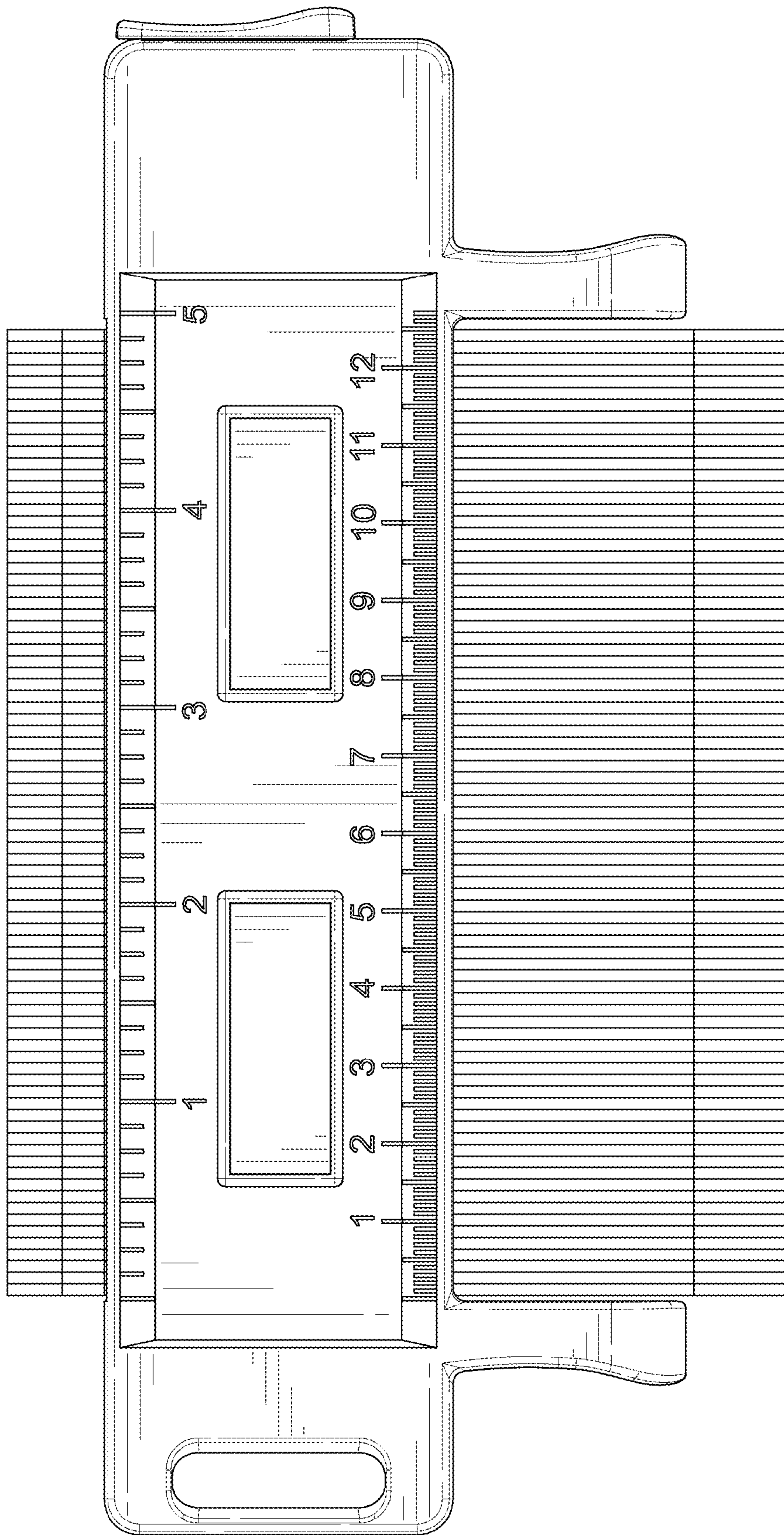


FIG. 4

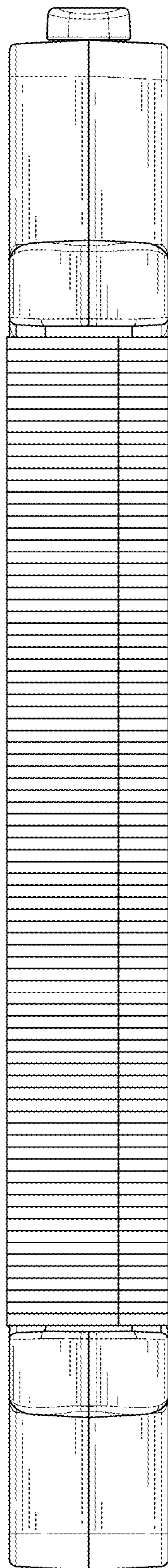


FIG. 5

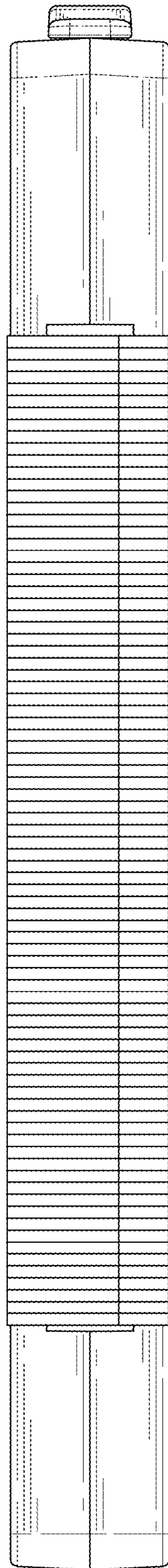


FIG. 6

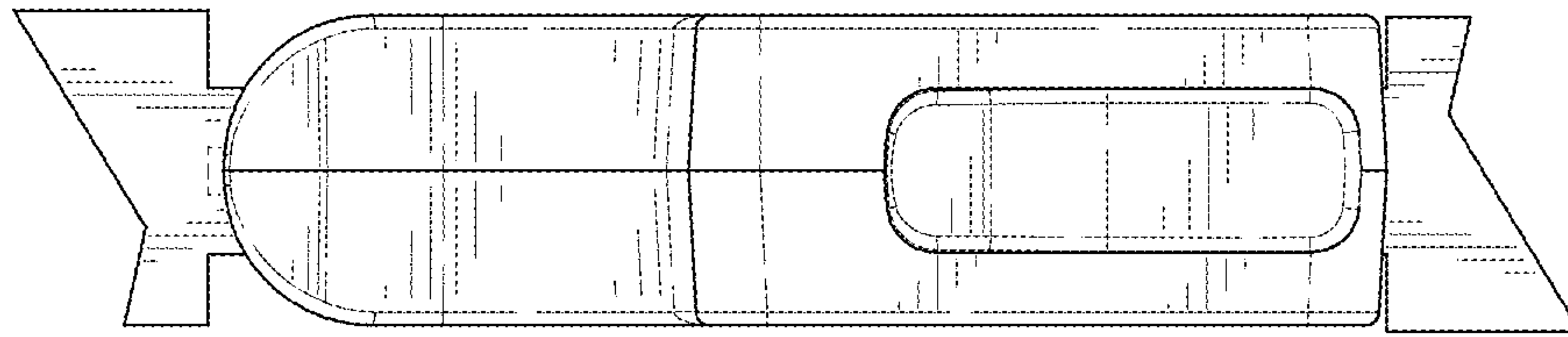


FIG. 7

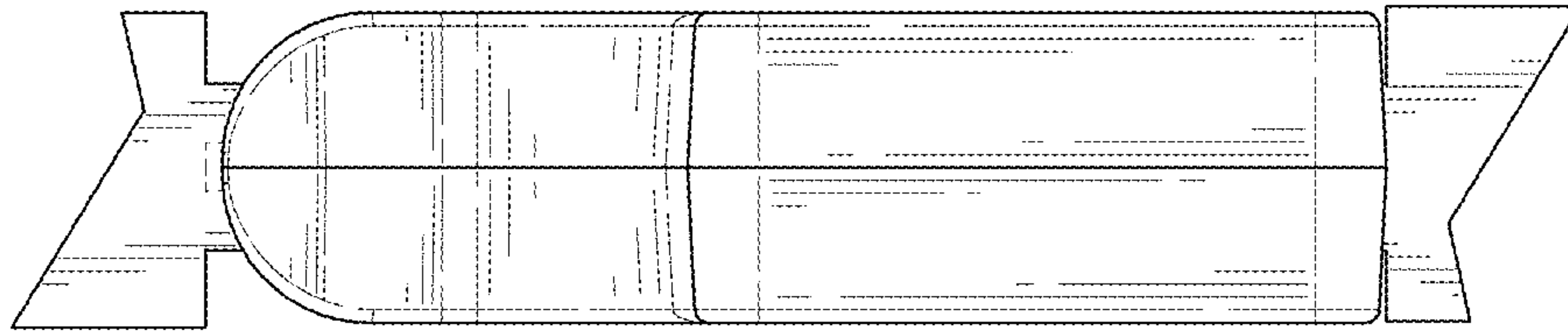


FIG. 8