



US00D969623S

(12) **United States Design Patent**  
**Dai**

(10) **Patent No.:** **US D969,623 S**

(45) **Date of Patent:** **\*\* Nov. 15, 2022**

(54) **THERMOMETER**

(71) Applicant: **Huifang Dai**, Lianjiang (CN)

(72) Inventor: **Huifang Dai**, Lianjiang (CN)

(\*\*) Term: **15 Years**

(21) Appl. No.: **29/754,731**

(22) Filed: **Oct. 14, 2020**

(51) **LOC (13) Cl.** ..... **10-04**

(52) **U.S. Cl.**  
USPC ..... **D10/57**

(58) **Field of Classification Search**  
USPC ..... D10/46, 52, 53, 56, 57, 60, 70, 103  
CPC ..... G01K 2207/02; G01K 2207/04; G01K  
2207/06; G01K 2207/08  
See application file for complete search history.

(56) **References Cited**

**U.S. PATENT DOCUMENTS**

D837,668 S *	1/2019	Zou	.....	D10/57
D852,653 S *	7/2019	Zou	.....	D10/57
D852,654 S *	7/2019	Zou	.....	D10/57
10,620,055 B2 *	4/2020	Keller	.....	G01K 13/00
D884,496 S *	5/2020	Zhang	.....	D10/57
D884,499 S *	5/2020	Yi	.....	D10/57
D888,590 S *	6/2020	Wang	.....	D10/57
D898,593 S *	10/2020	Peng	.....	D10/57
D910,468 S *	2/2021	Liu	.....	D10/57
D916,606 S *	4/2021	Ying	.....	D10/57
D919,457 S *	5/2021	Dai	.....	D10/57

D919,458 S *	5/2021	Dai	.....	D10/57
D920,141 S *	5/2021	Zhou	.....	D10/57
D929,878 S *	9/2021	Huang	.....	D10/57
D945,891 S *	3/2022	Huang	.....	D10/57
D945,892 S *	3/2022	Fang	.....	D10/57
D949,716 S *	4/2022	Huang	.....	D10/57
D949,717 S *	4/2022	Hu	.....	D10/57
D951,111 S *	5/2022	Yu	.....	D10/57
D951,782 S *	5/2022	Yu	.....	D10/57
D953,895 S *	6/2022	Dai	.....	D10/57

\* cited by examiner

*Primary Examiner* — George D. Kirschbaum

*Assistant Examiner* — Lillian Windham

(57) **CLAIM**

The ornamental design for a thermometer, as shown and described.

**DESCRIPTION**

FIG. 1 is a first perspective view of a thermometer showing my new design;

FIG. 2 is a second perspective view thereof;

FIG. 3 is a front view thereof;

FIG. 4 is a back view thereof;

FIG. 5 is a left side view thereof;

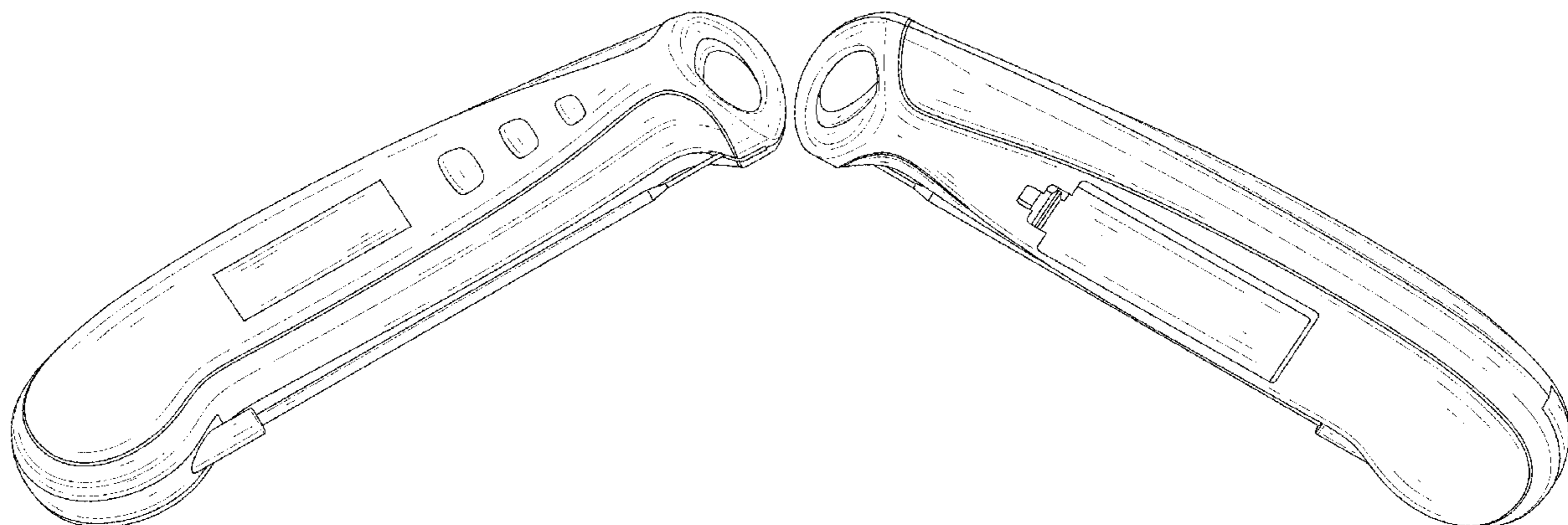
FIG. 6 is a right side view thereof;

FIG. 7 is a top view thereof;

FIG. 8 is a bottom view thereof; and,

FIG. 9 is a perspective view of another state of the thermometer thereof.

**1 Claim, 9 Drawing Sheets**



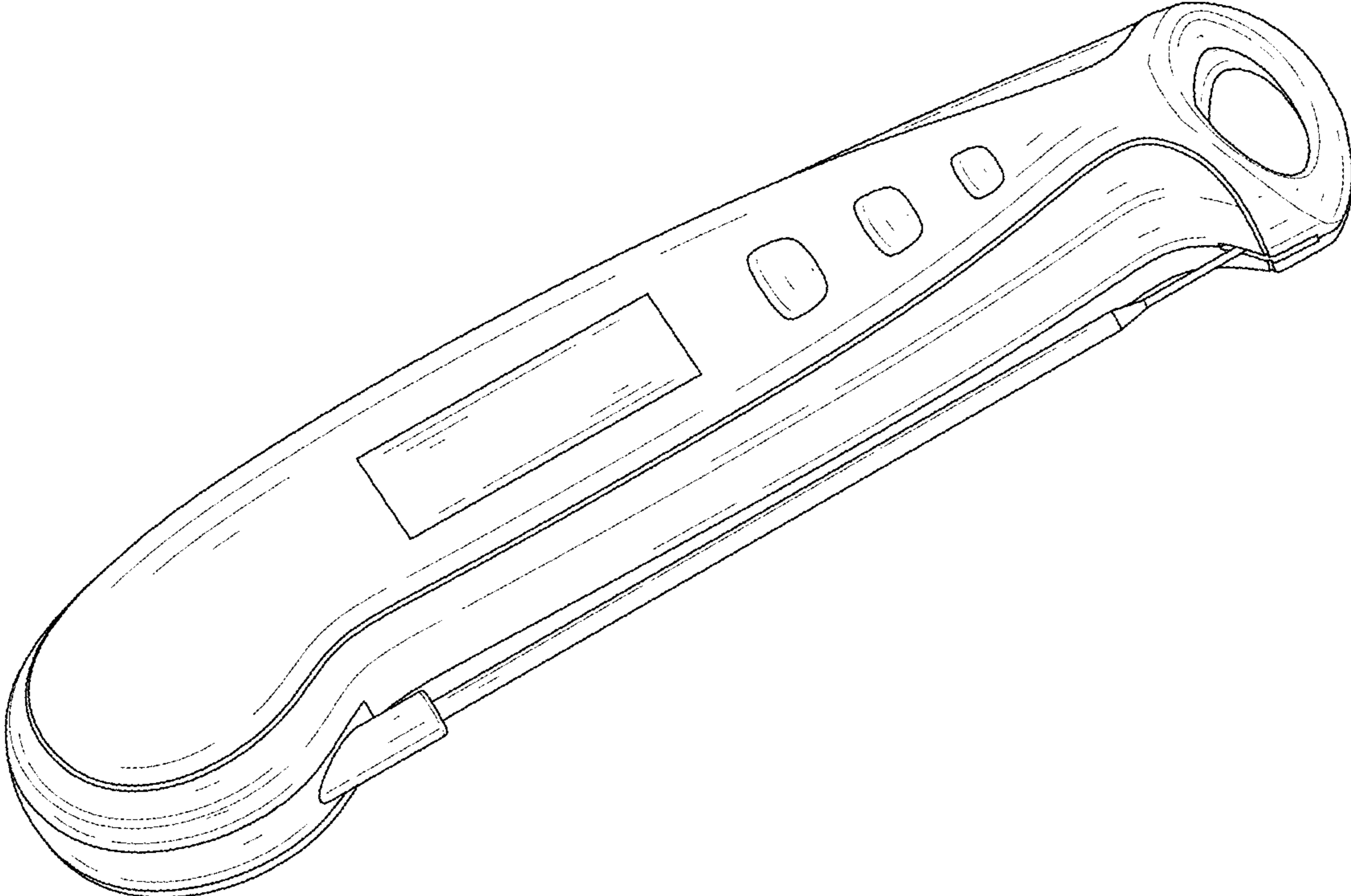


FIG. 1

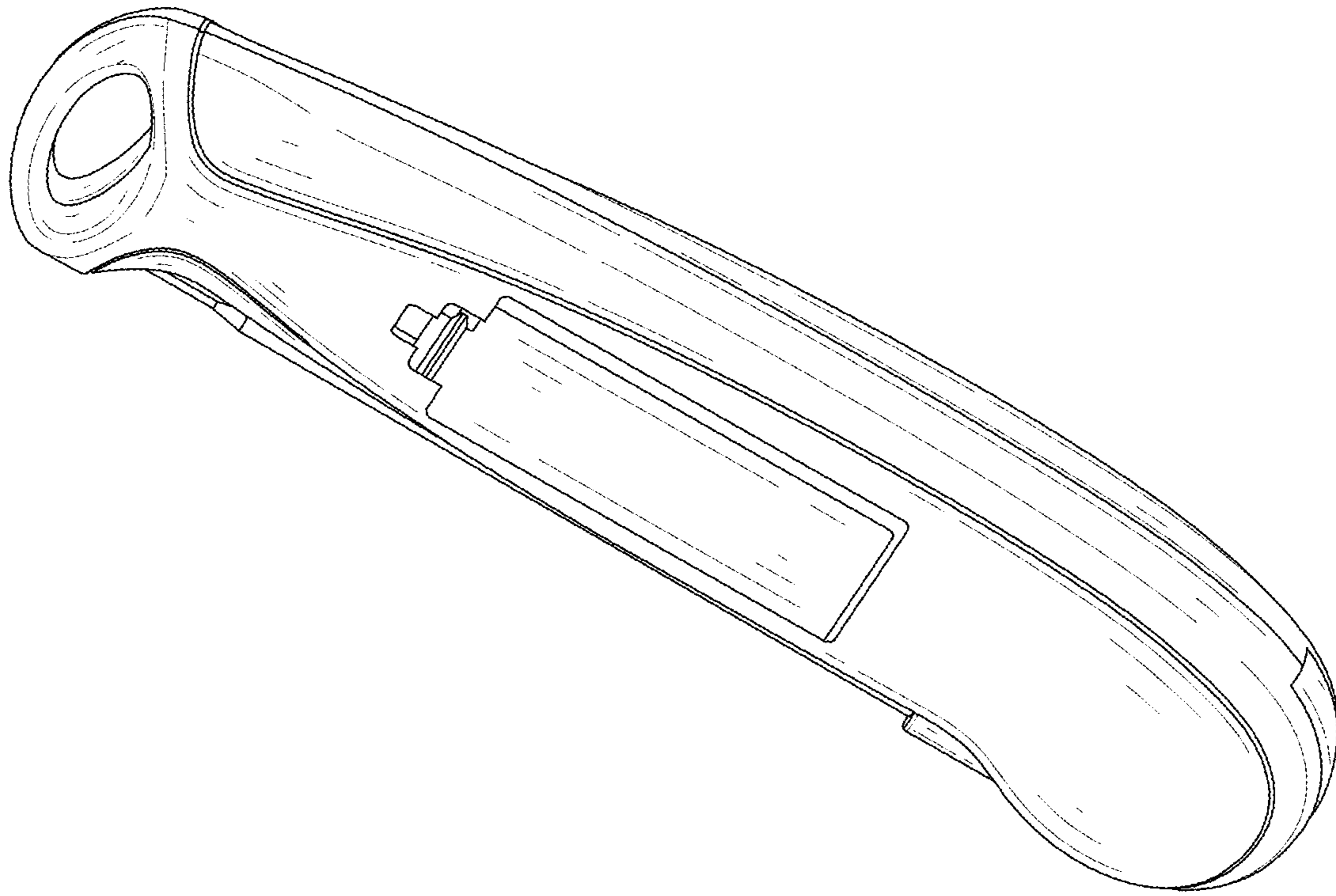


FIG. 2

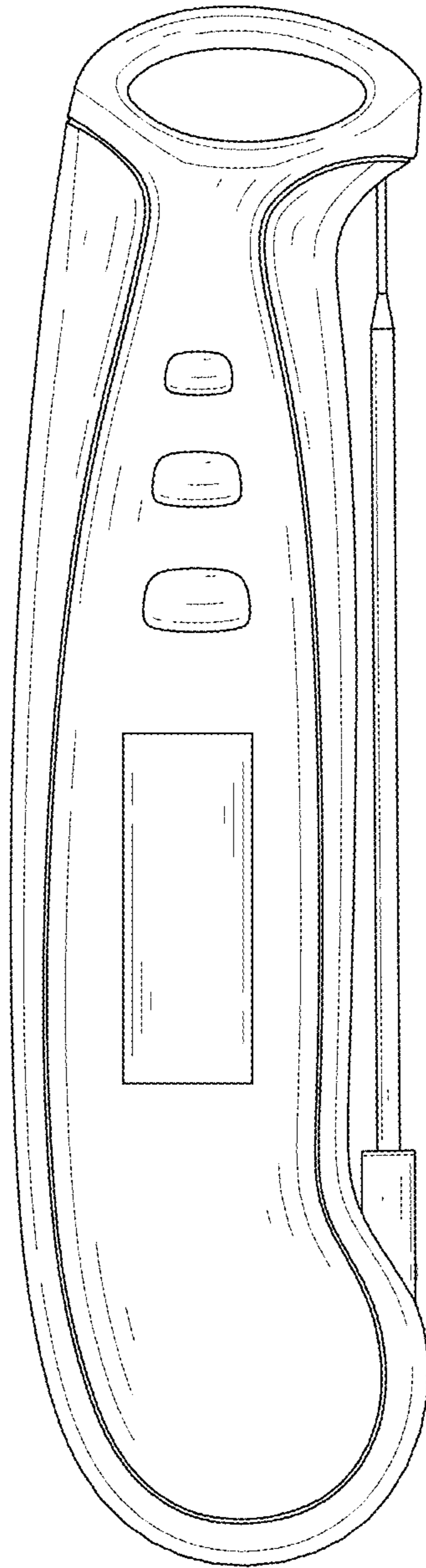


FIG. 3

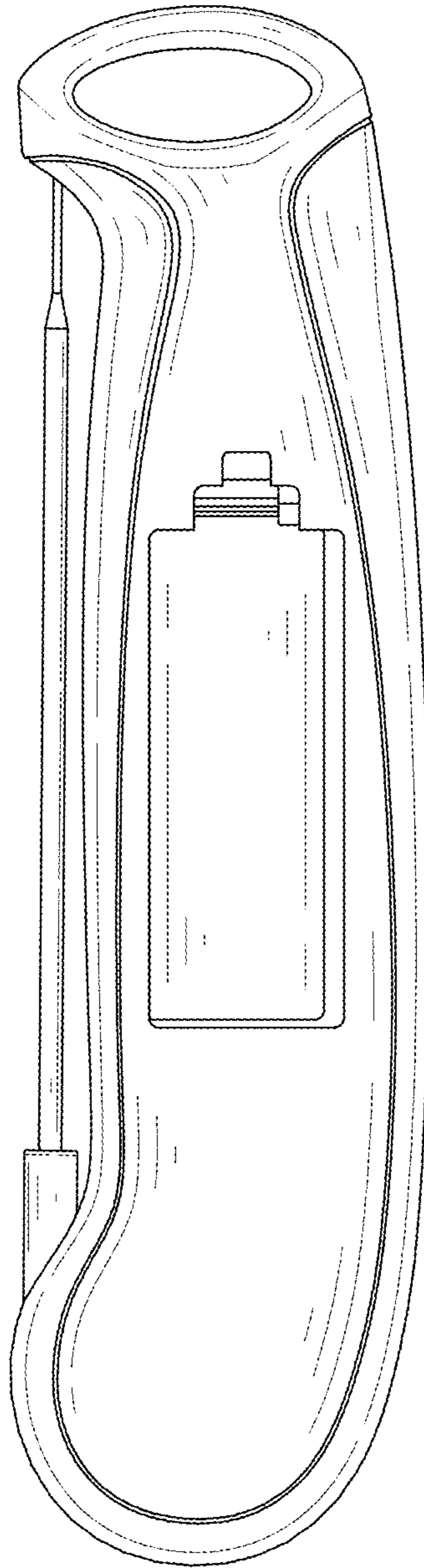


FIG. 4

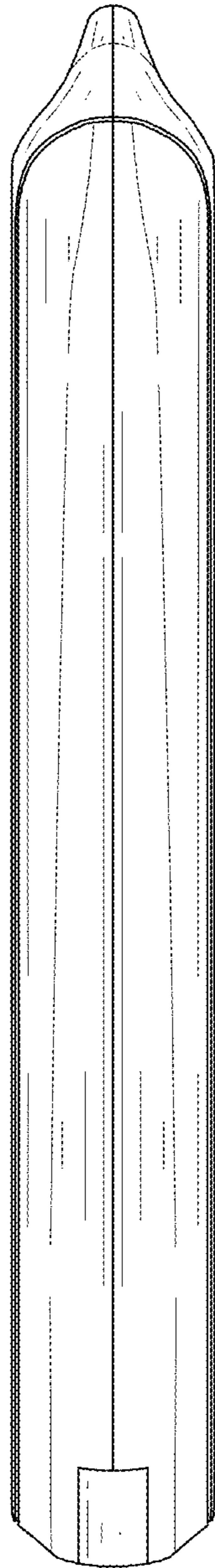


FIG. 5

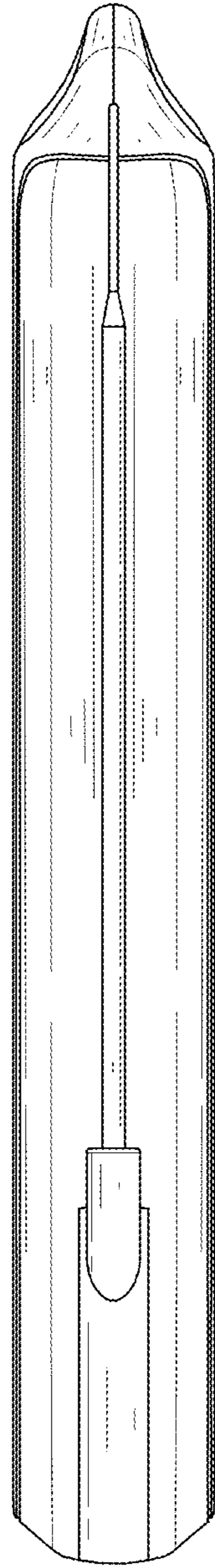


FIG. 6

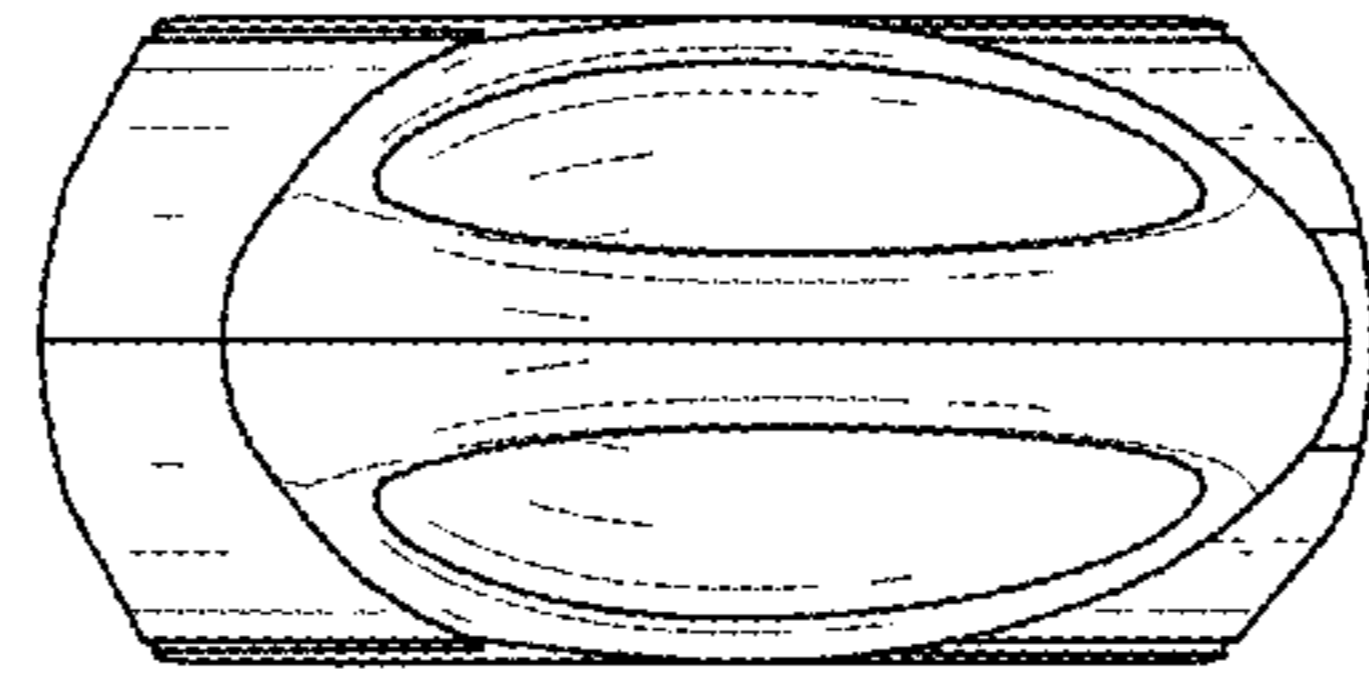


FIG. 7



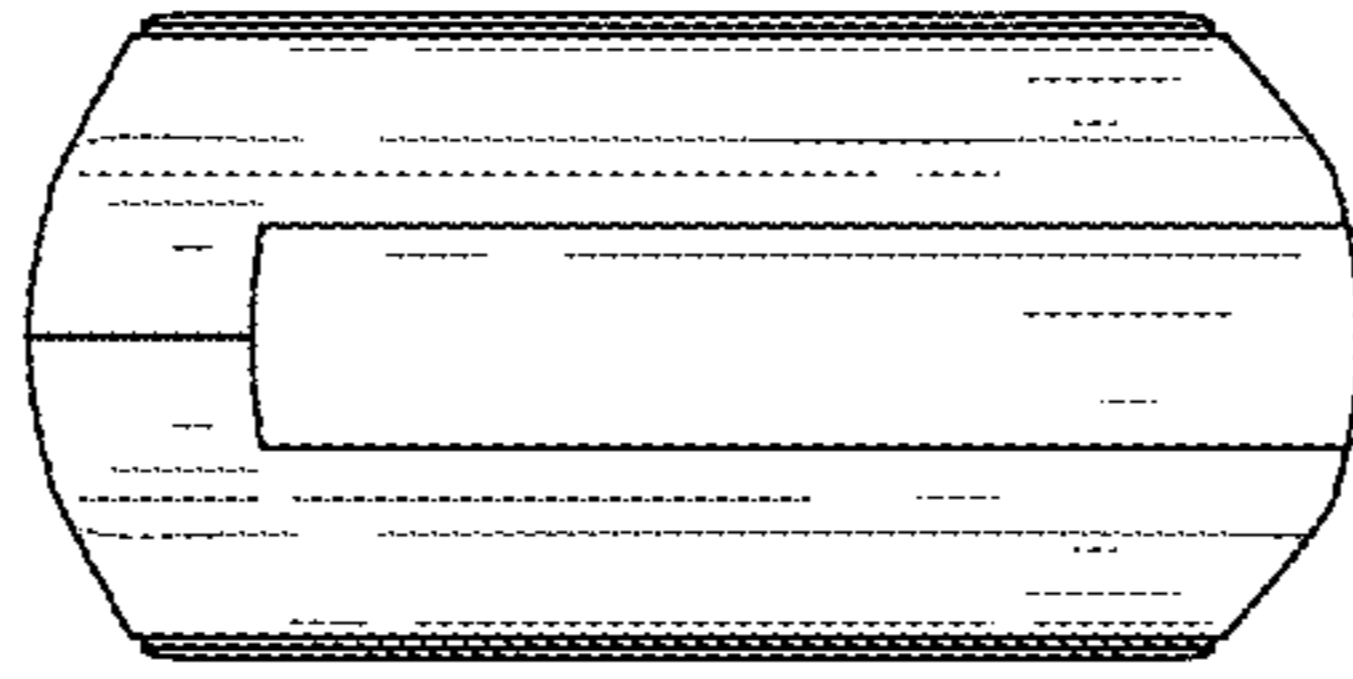


FIG. 8

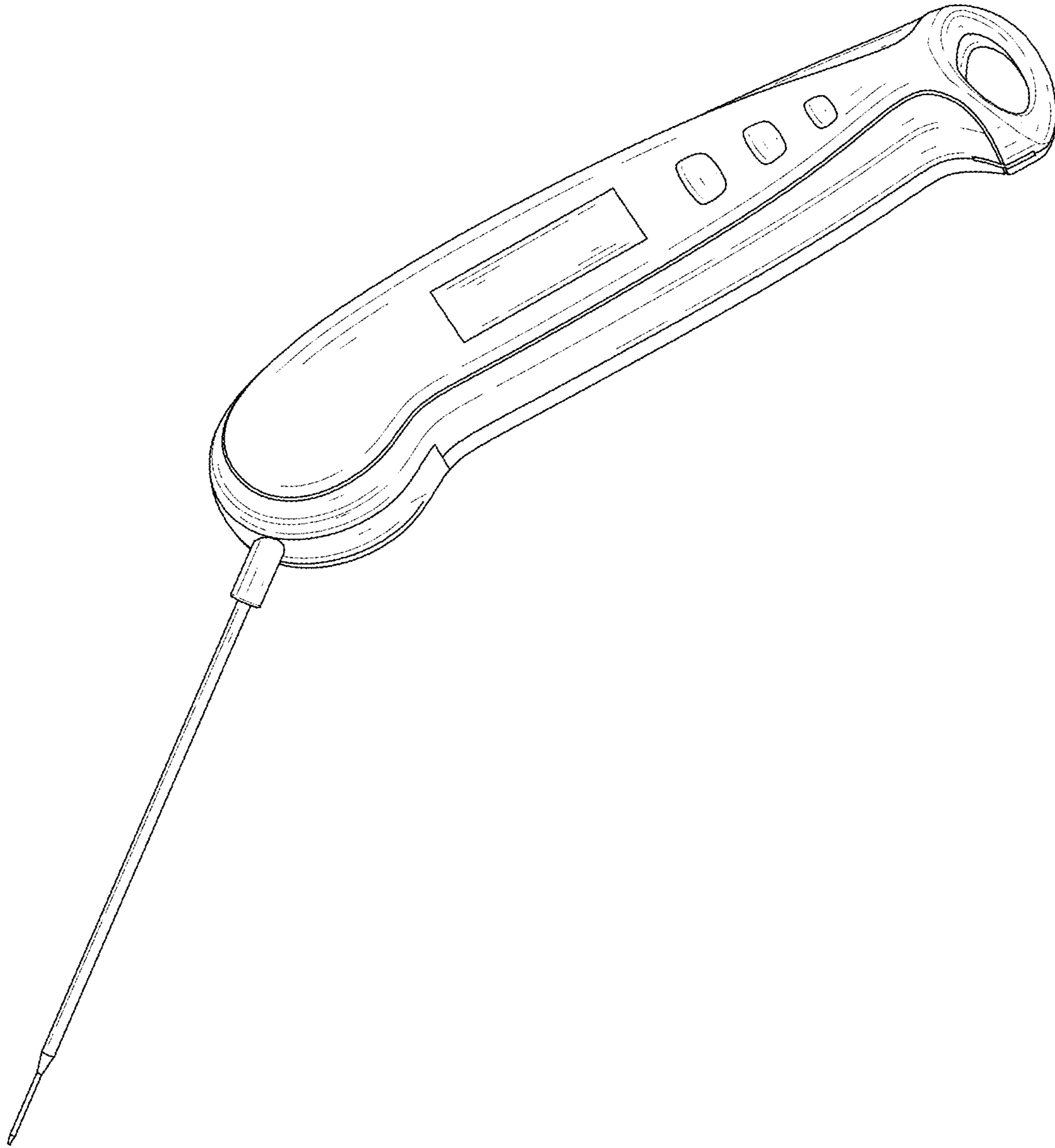


FIG. 9