



US00D969622S

(12) **United States Design Patent**
Slate et al.

(10) **Patent No.:** **US D969,622 S**

(45) **Date of Patent:** **** Nov. 15, 2022**

(54) **HYGROMETER FOR HUMIDORS**

(71) Applicants: **Michael Slate**, Indianapolis, IN (US);
Ian Winston Scott Bennett,
Indianapolis, IN (US)

(72) Inventors: **Michael Slate**, Indianapolis, IN (US);
Ian Winston Scott Bennett,
Indianapolis, IN (US)

(**) Term: **15 Years**

(21) Appl. No.: **29/758,746**

(22) Filed: **Nov. 18, 2020**

(51) **LOC (13) Cl.** **10-05**

(52) **U.S. Cl.**
USPC **D10/56**

(58) **Field of Classification Search**
USPC ... D10/4, 46, 50, 52, 53, 55, 56, 57, 60, 62;
D13/162; D14/218, 336, 371; D27/189
CPC G01N 2021/354; G01N 21/3554; G01N
2291/02845; G01N 5/025; G01N 21/81;
G01N 22/04; G01N 27/223; G01N
27/121; G01N 19/10; F24F 2110/20
See application file for complete search history.

(56) **References Cited**

U.S. PATENT DOCUMENTS

D374,946 S * 10/1996 Meurlin D27/189
D536,337 S * 2/2007 Chuang D14/336
D582,802 S * 12/2008 Branson D10/50
D648,641 S * 11/2011 Wallaert D10/50
D680,108 S * 4/2013 Kumagai D14/336
D729,793 S * 5/2015 Hickok D14/371

D733,590 S * 7/2015 Primiani D10/50
D860,319 S * 9/2019 Beruto D14/336
D894,021 S * 8/2020 Smith D10/50
D907,033 S * 1/2021 Luo D14/336
D908,122 S * 1/2021 Luo D14/336
D942,283 S * 2/2022 Anno D14/218

FOREIGN PATENT DOCUMENTS

CN 304157108 * 6/2017
CN 305350732 * 9/2019

* cited by examiner

Primary Examiner — George D. Kirschbaum
Assistant Examiner — Lillian Windham
(74) *Attorney, Agent, or Firm* — Overhauser Law Offices,
LLC

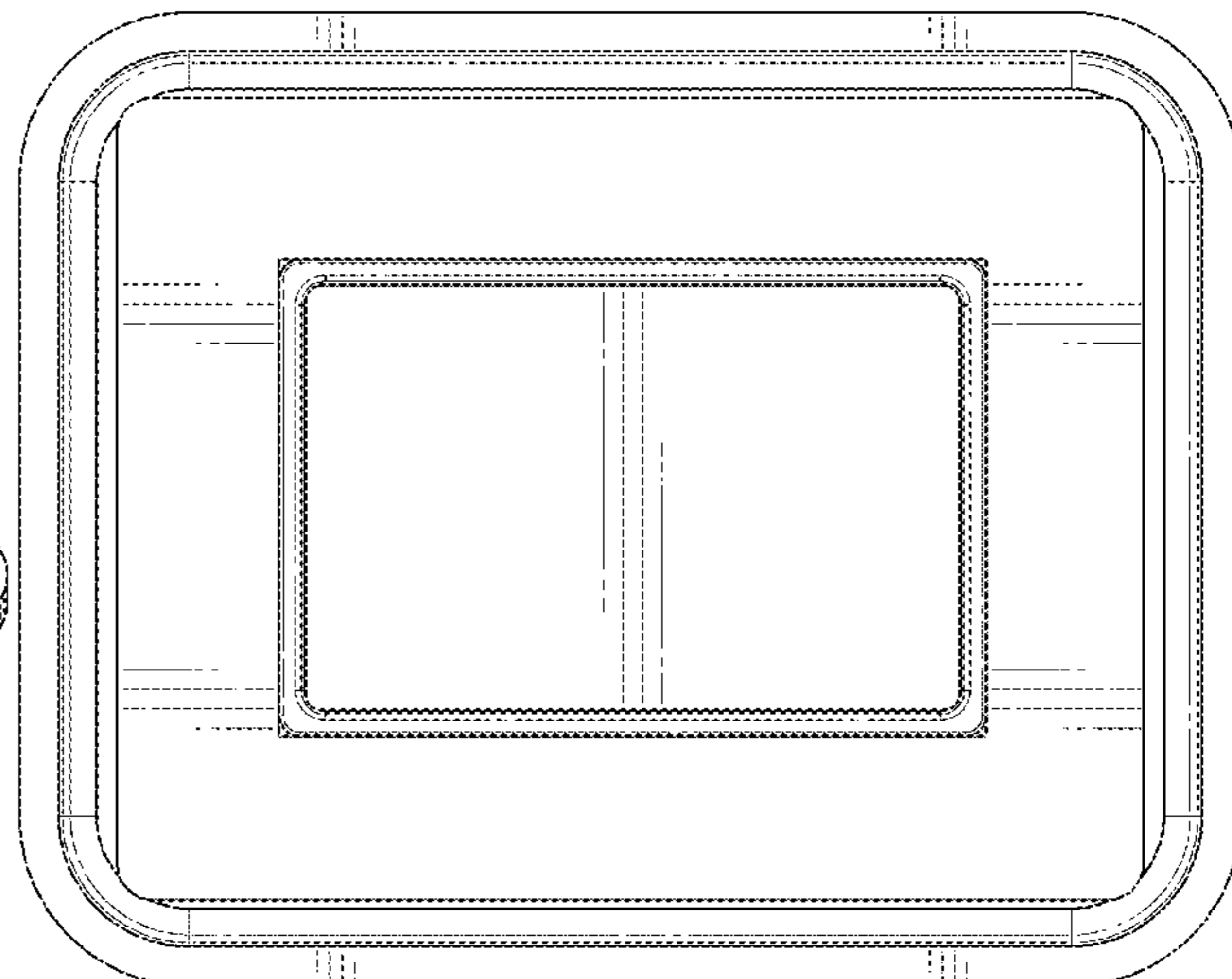
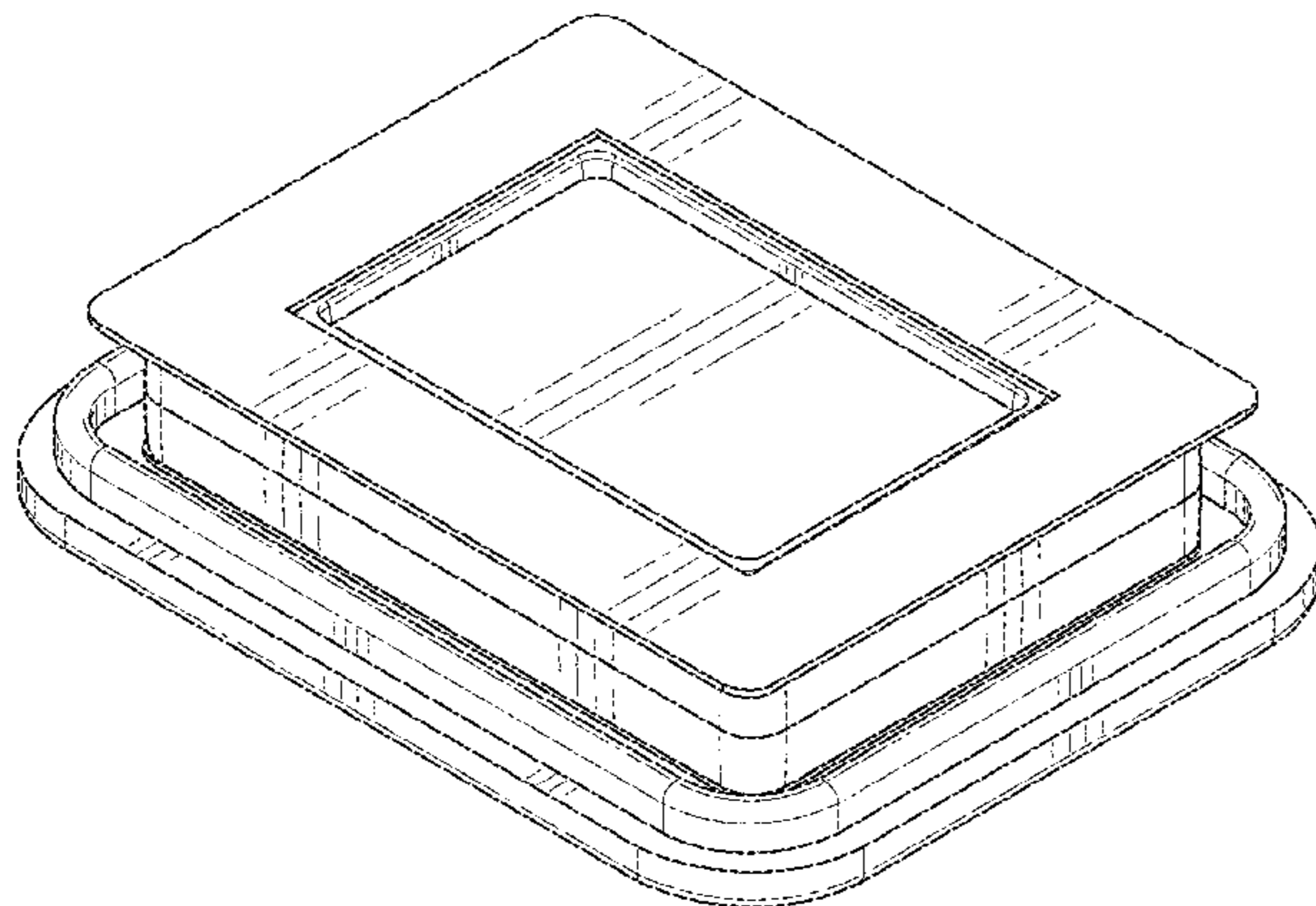
(57) **CLAIM**

The ornamental design for a hygrometer for humidors, as shown and described.

DESCRIPTION

FIG. 1 is a front perspective view of a hygrometer for humidors, illustrating our new design;
FIG. 2 is a top view thereof;
FIG. 3 is a bottom view thereof;
FIG. 4 is a left side view thereof;
FIG. 5 is a right side view thereof;
FIG. 6 is a front view thereof;
FIG. 7 is a rear view thereof; and,
FIG. 8 is an exploded view of the hygrometer of FIG. 1.
The broken lines shown in FIG. 7 are included for the purpose of illustrating portions of the hygrometer for humidors and form no part of the claimed design.

1 Claim, 8 Drawing Sheets



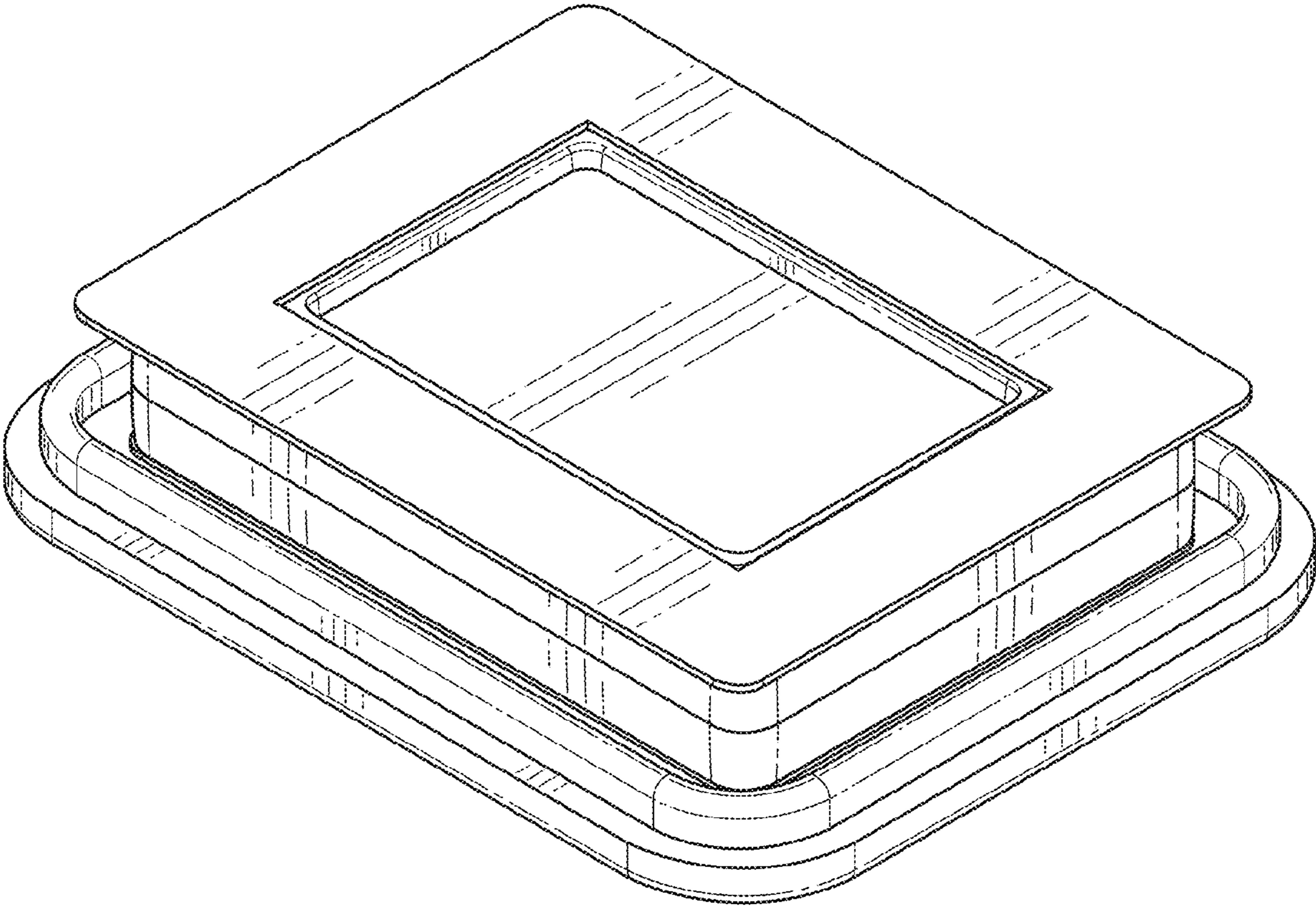


FIG. 1

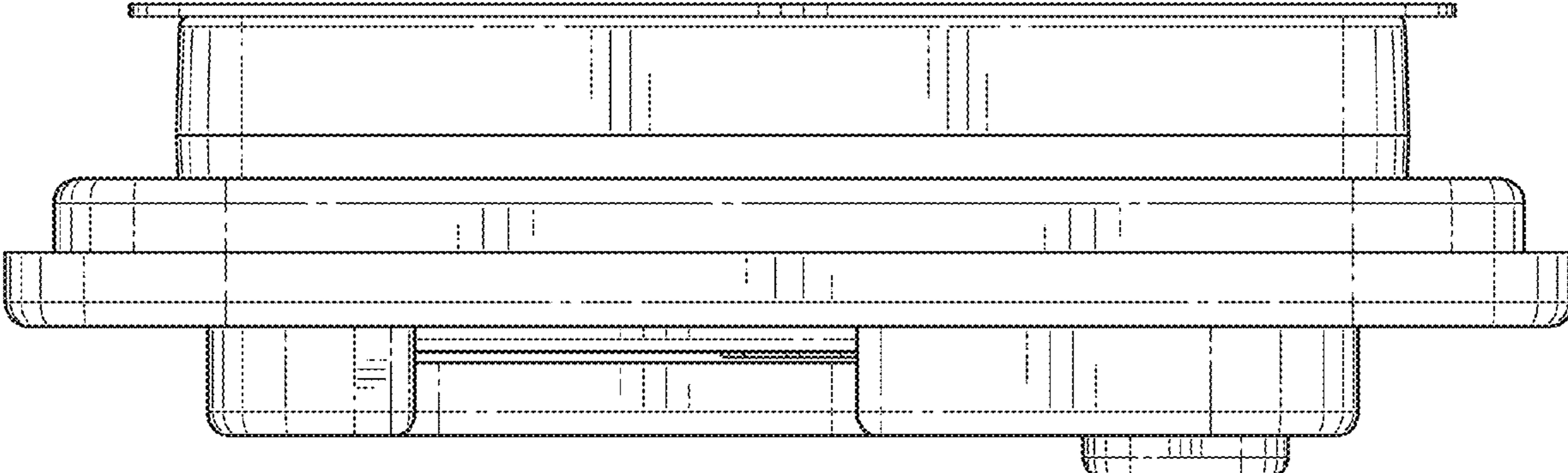


FIG. 2

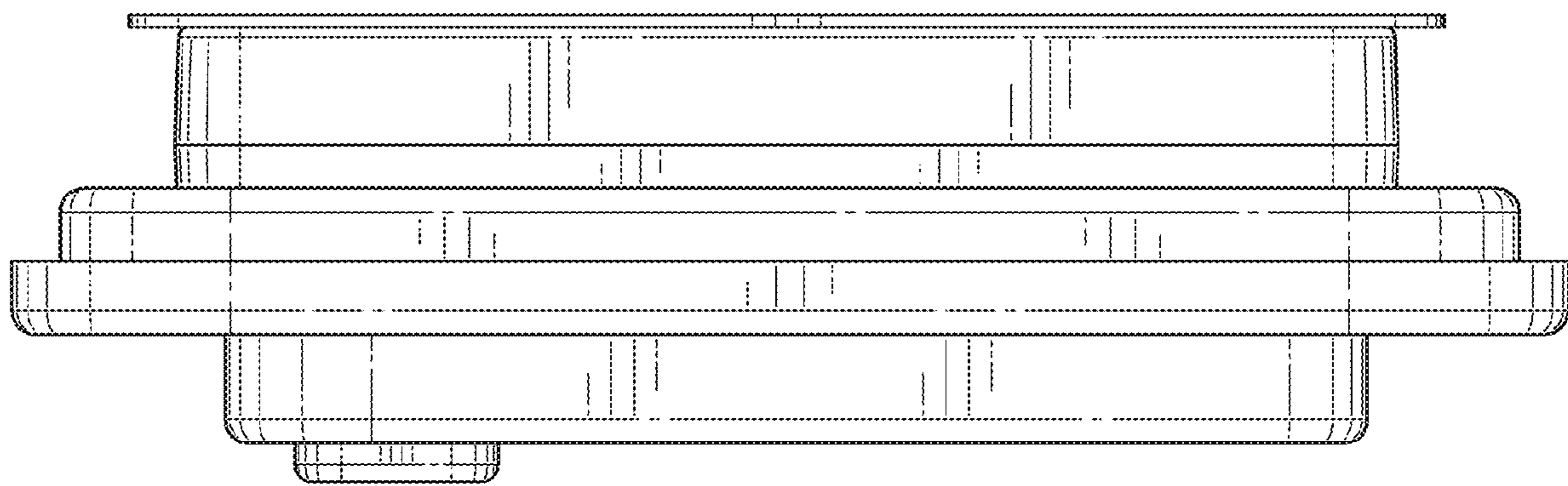


FIG. 3

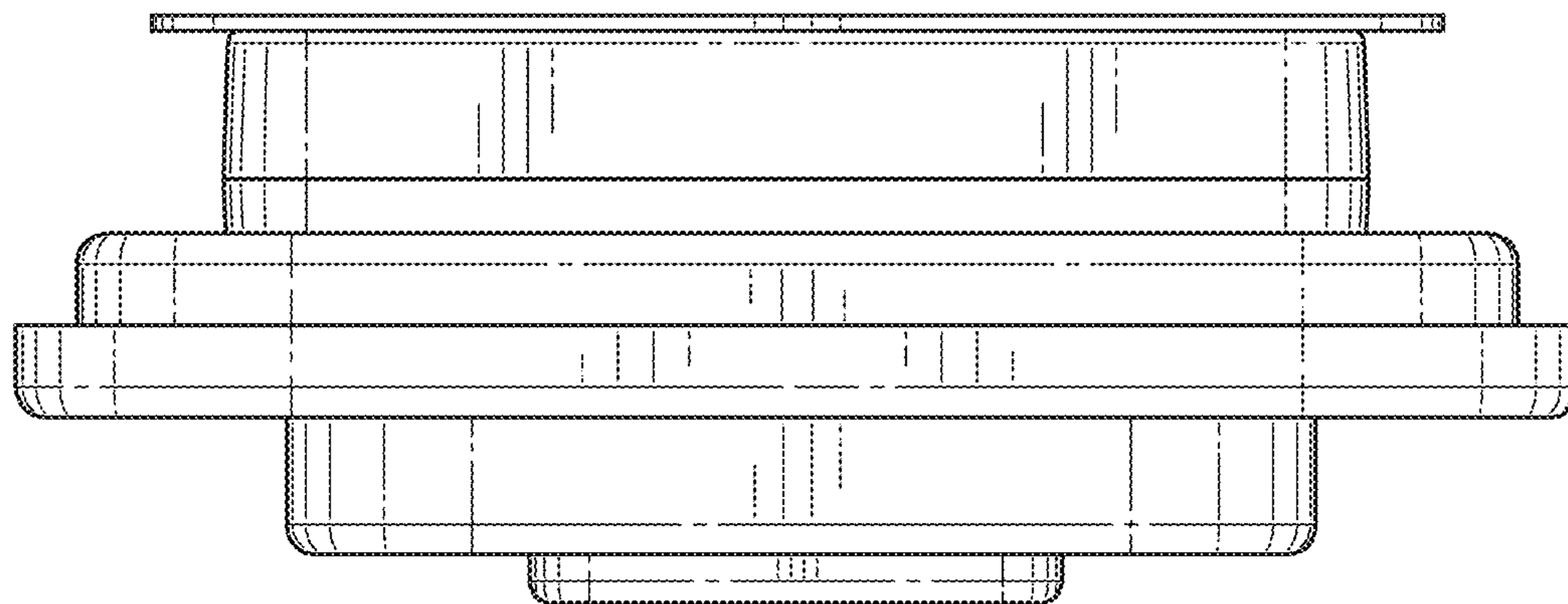


FIG. 4

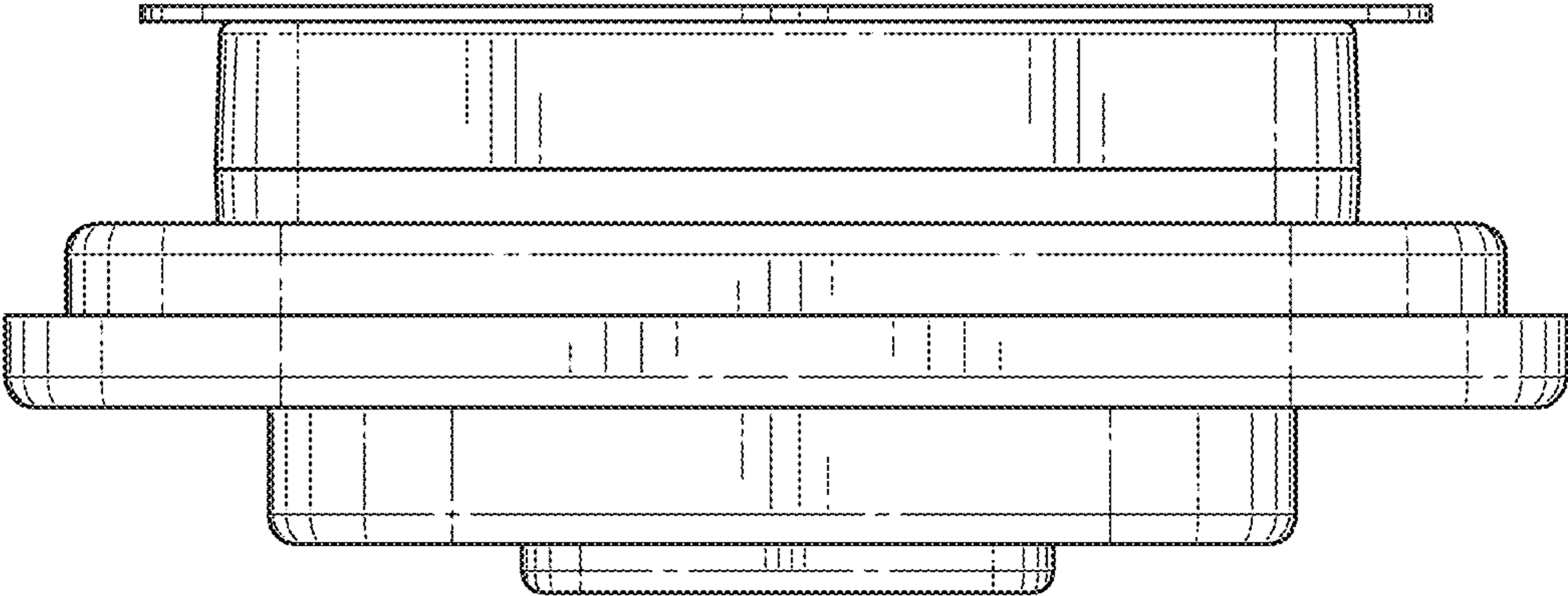


FIG. 5

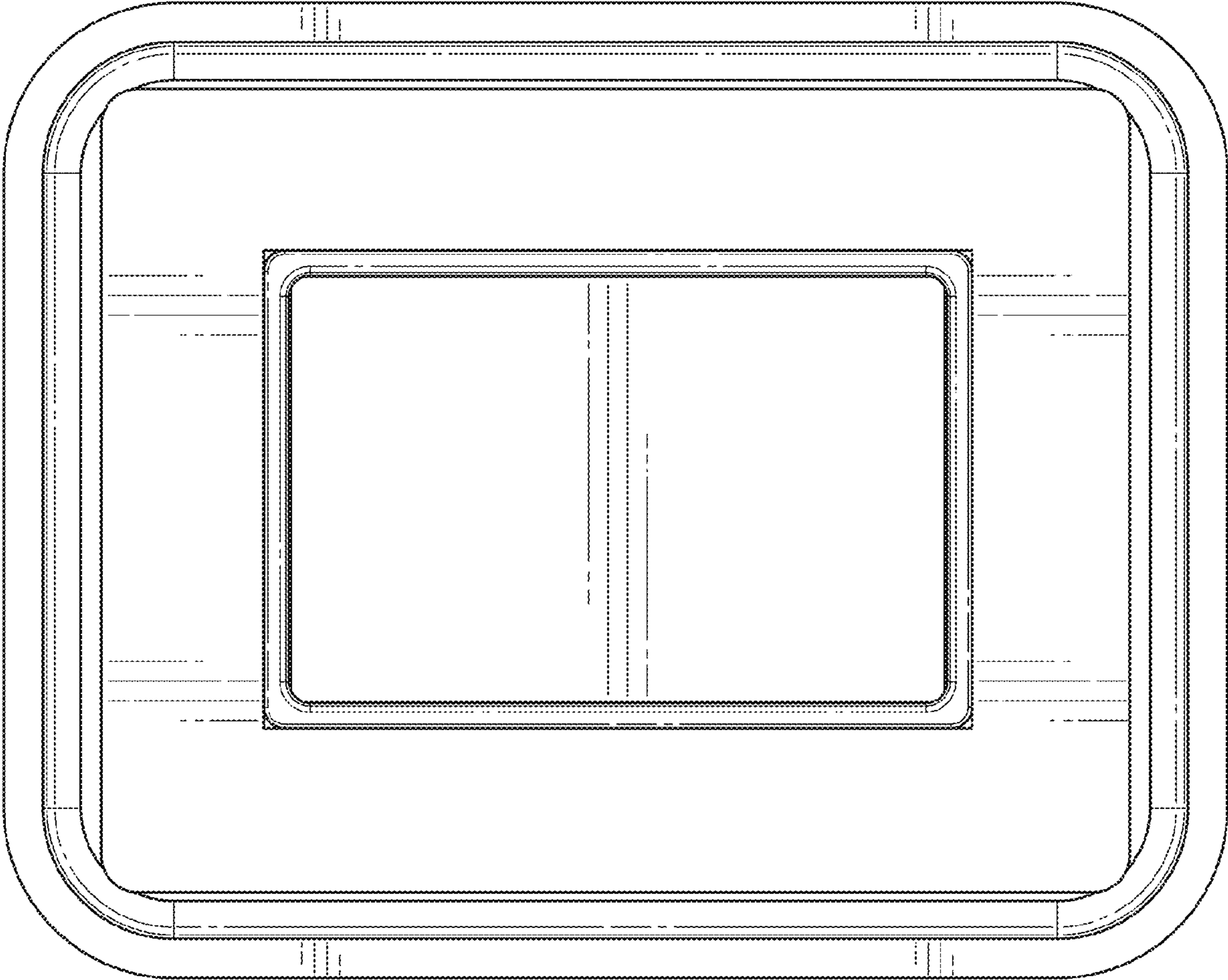


FIG. 6

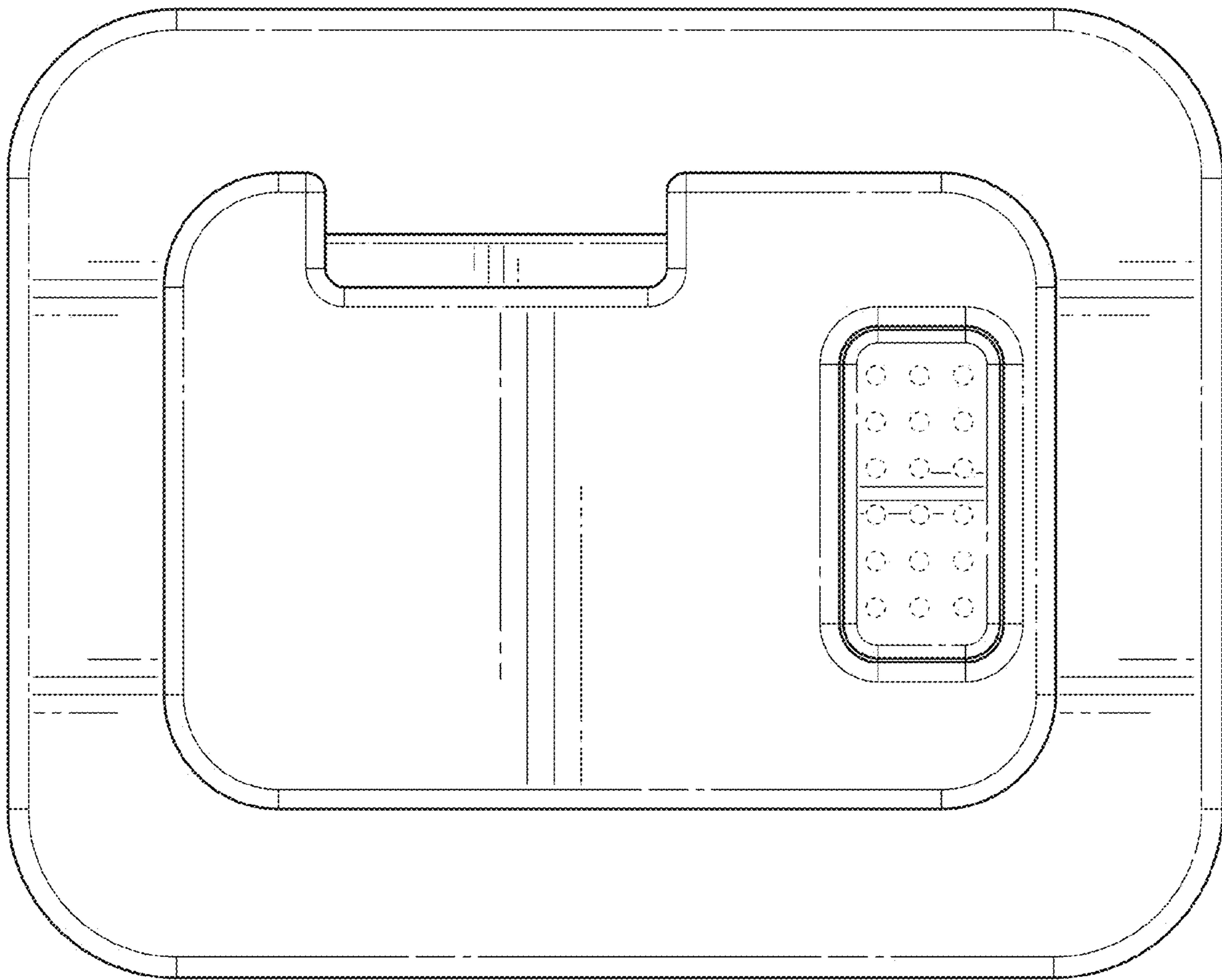


FIG. 7

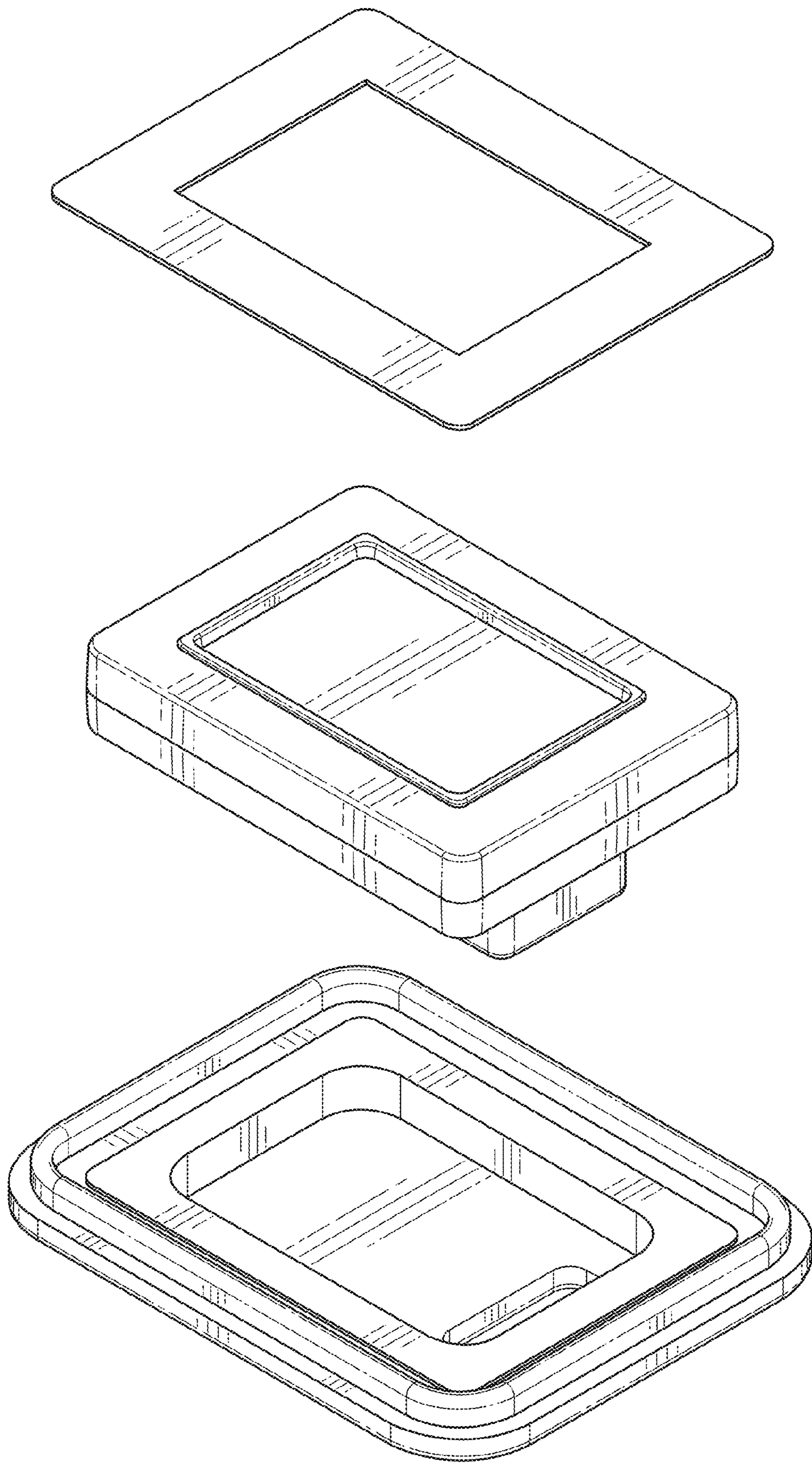


FIG. 8