



US00D969619S

(12) **United States Design Patent**
Tseng

(10) **Patent No.:** **US D969,619 S**

(45) **Date of Patent:** **** Nov. 15, 2022**

(54) **PORTABLE BEAN ROAST DEGREE ANALYZER**

(71) Applicant: **AROMA TECHNOLOGY CO., LTD.**,
Hsinchu (TW)

(72) Inventor: **Wen-Hsiang Tseng**, Hsinchu (TW)

(**) Term: **15 Years**

(21) Appl. No.: **29/755,267**

(22) Filed: **Oct. 19, 2020**

(51) **LOC (13) Cl.** **10-07**

(52) **U.S. Cl.**
USPC **D10/46**

(58) **Field of Classification Search**
USPC D7/213, 372, 373; D23/355, 360, 364,
D23/366; D24/216; D10/46, 46.2, 81
CPC A47J 42/00; A23F 5/00; A23F 5/04; A23F
5/08; A23F 5/10
See application file for complete search history.

(56) **References Cited**

U.S. PATENT DOCUMENTS

D261,034 S *	9/1981	Armbruster	D24/186
D264,444 S *	5/1982	Muchenberger	D10/46
D556,914 S *	12/2007	Okamoto	D24/233
D585,311 S *	1/2009	Malhi	D10/46
D606,433 S *	12/2009	Whitcomb	D10/104.1
D822,844 S *	7/2018	Smith	D24/216
D834,724 S *	11/2018	Mathers	D24/232
D854,703 S *	7/2019	Juhlin	D24/216
D868,231 S *	11/2019	Ching	D23/355

D883,733 S *	5/2020	Simonsen	D7/373
D906,536 S *	12/2020	Kozono	D24/216
D915,575 S *	4/2021	Chen	D23/366
D932,929 S *	10/2021	Stone	D10/81
D935,831 S *	11/2021	Lu	D7/372
2019/0369129 A1 *	12/2019	Shiraishi	G01N 35/1009

* cited by examiner

Primary Examiner — Andrew Kerr

(74) *Attorney, Agent, or Firm* — Egbert, McDaniel & Swartz, PLLC

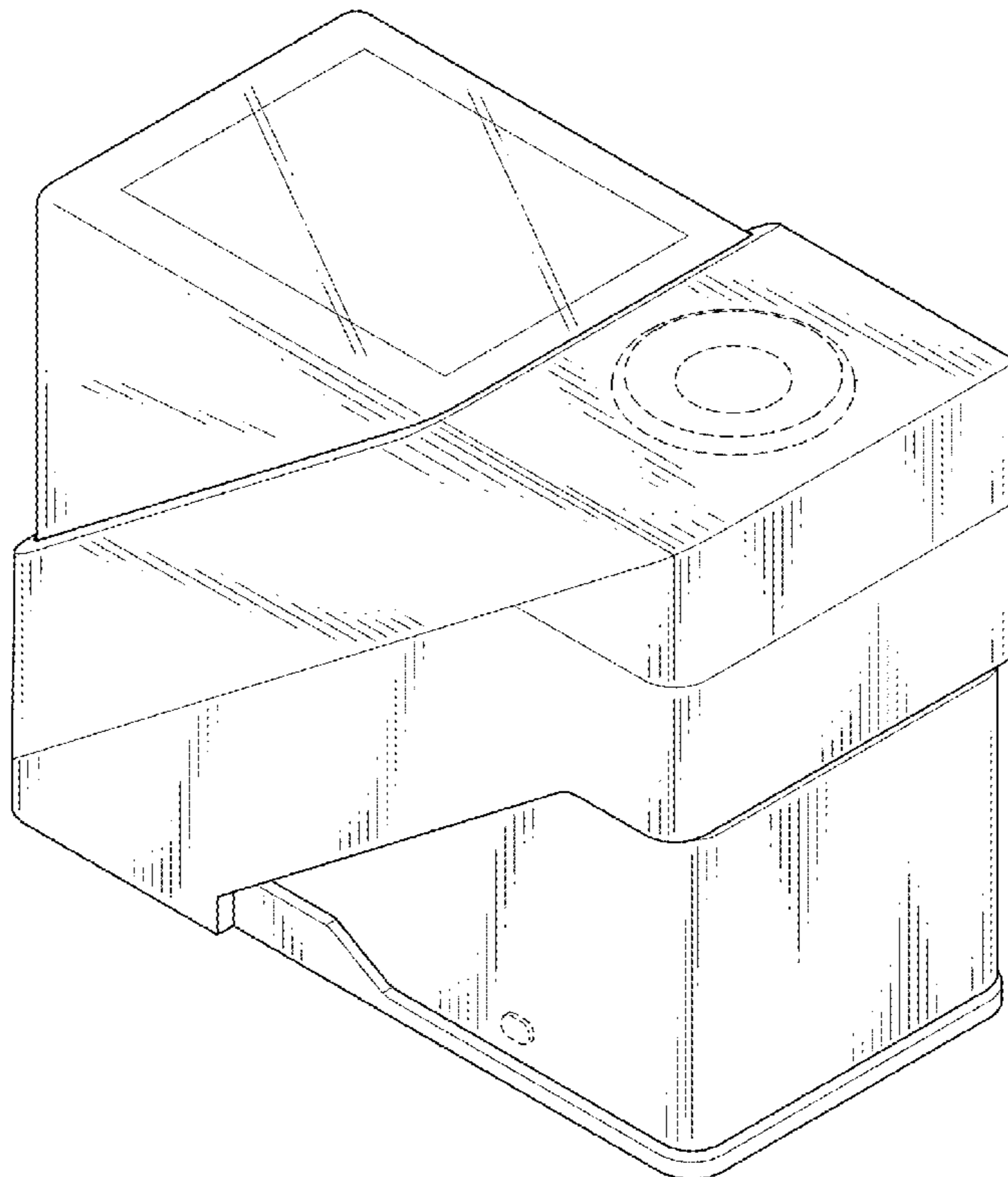
(57) **CLAIM**

The ornamental design for a portable bean roast degree analyzer, as shown and described.

DESCRIPTION

FIG. 1 is an upper perspective view of a portable bean roast degree analyzer showing my new design; FIG. 2 is a front elevation view thereof; FIG. 3 is a rear elevation view thereof; FIG. 4 is a left side elevation view thereof; FIG. 5 is a right side elevation view thereof; FIG. 6 is a top plan view thereof; FIG. 7 is a bottom plan view thereof; FIG. 8 is a first exploded view thereof; and, FIG. 9 is a second exploded view thereof. The features presented in broken lines illustrate portions of the portable bean roast degree analyzer that form no part of the claimed design.

1 Claim, 9 Drawing Sheets



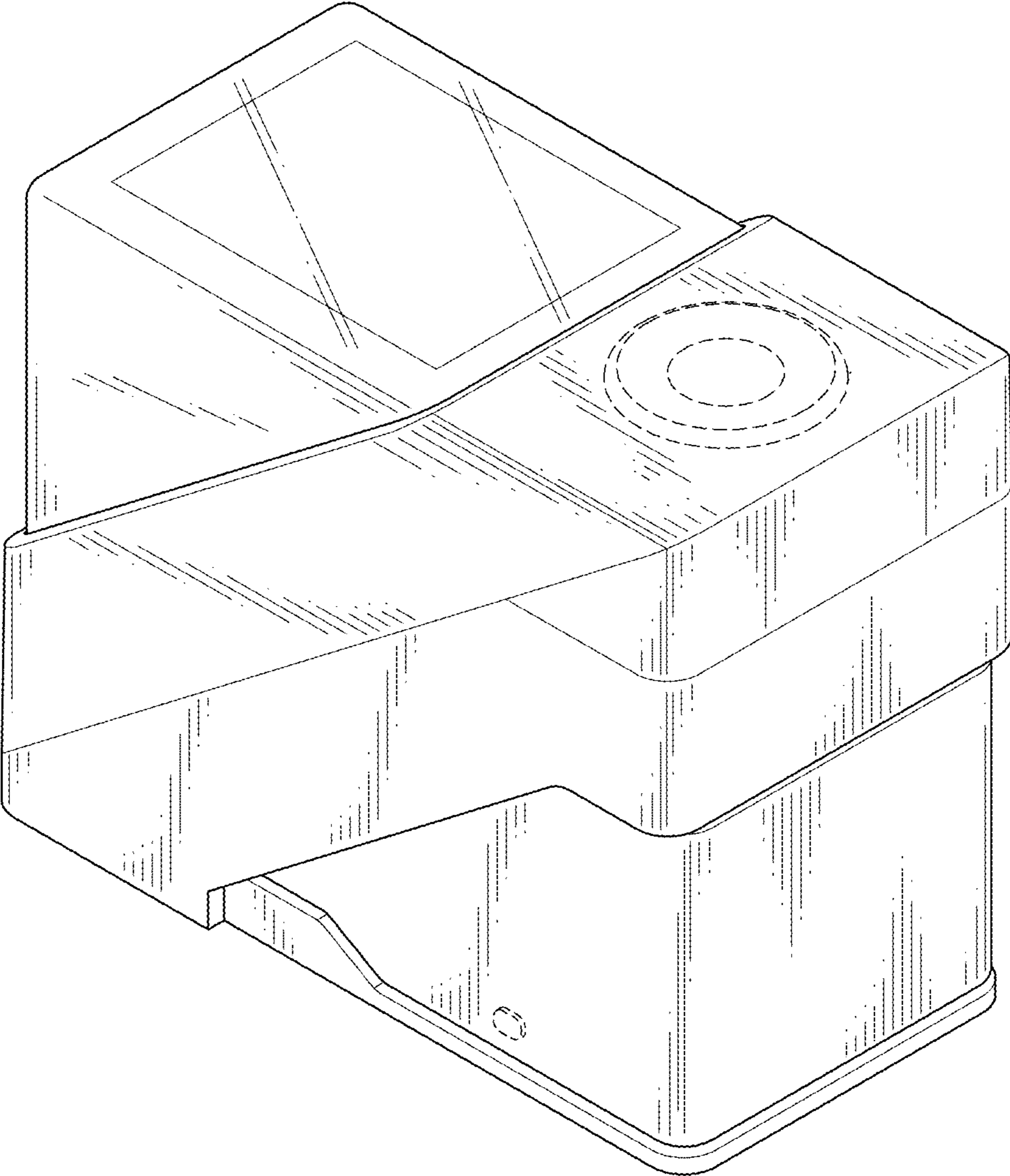


FIG. 1

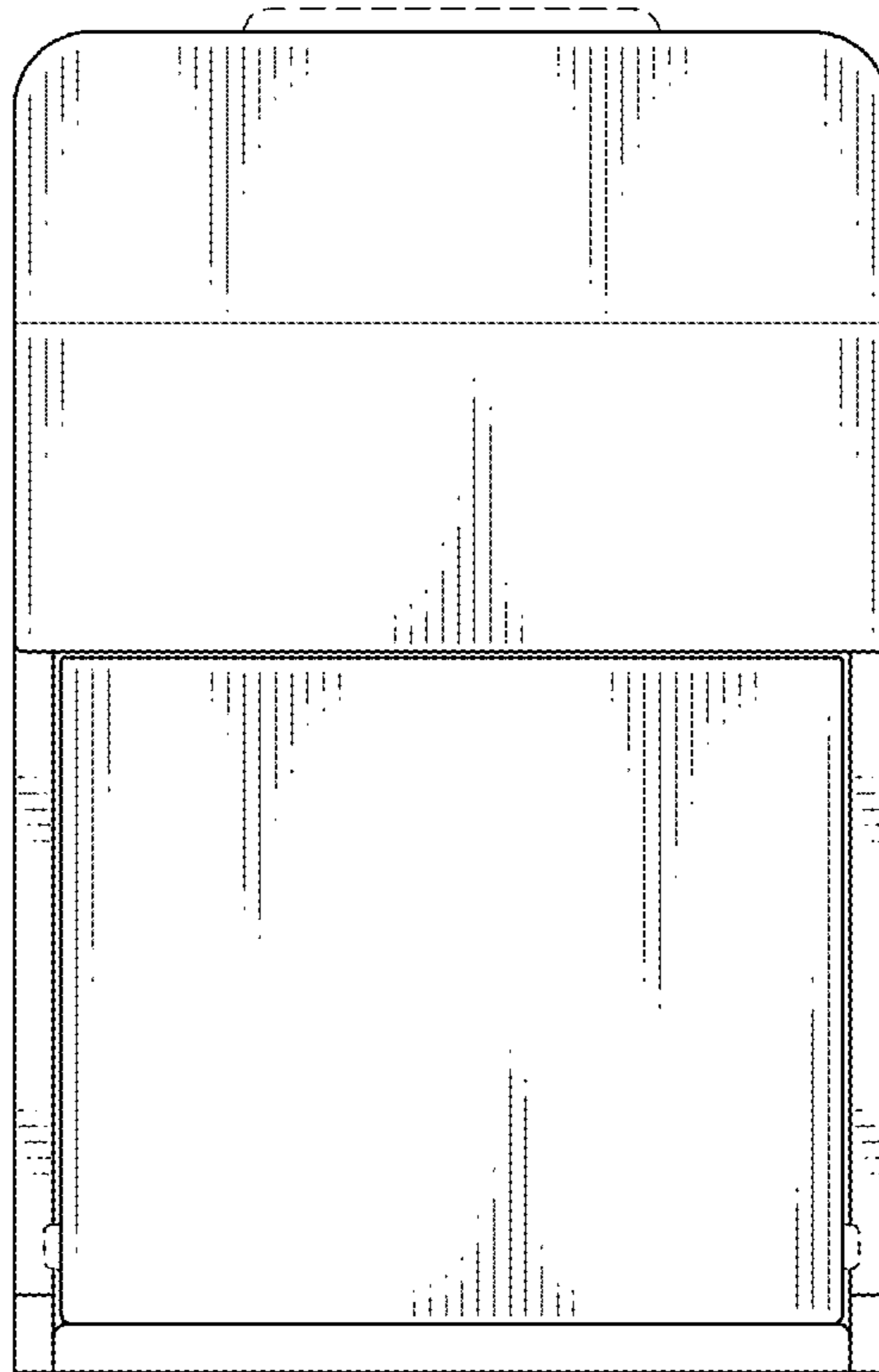


FIG. 2

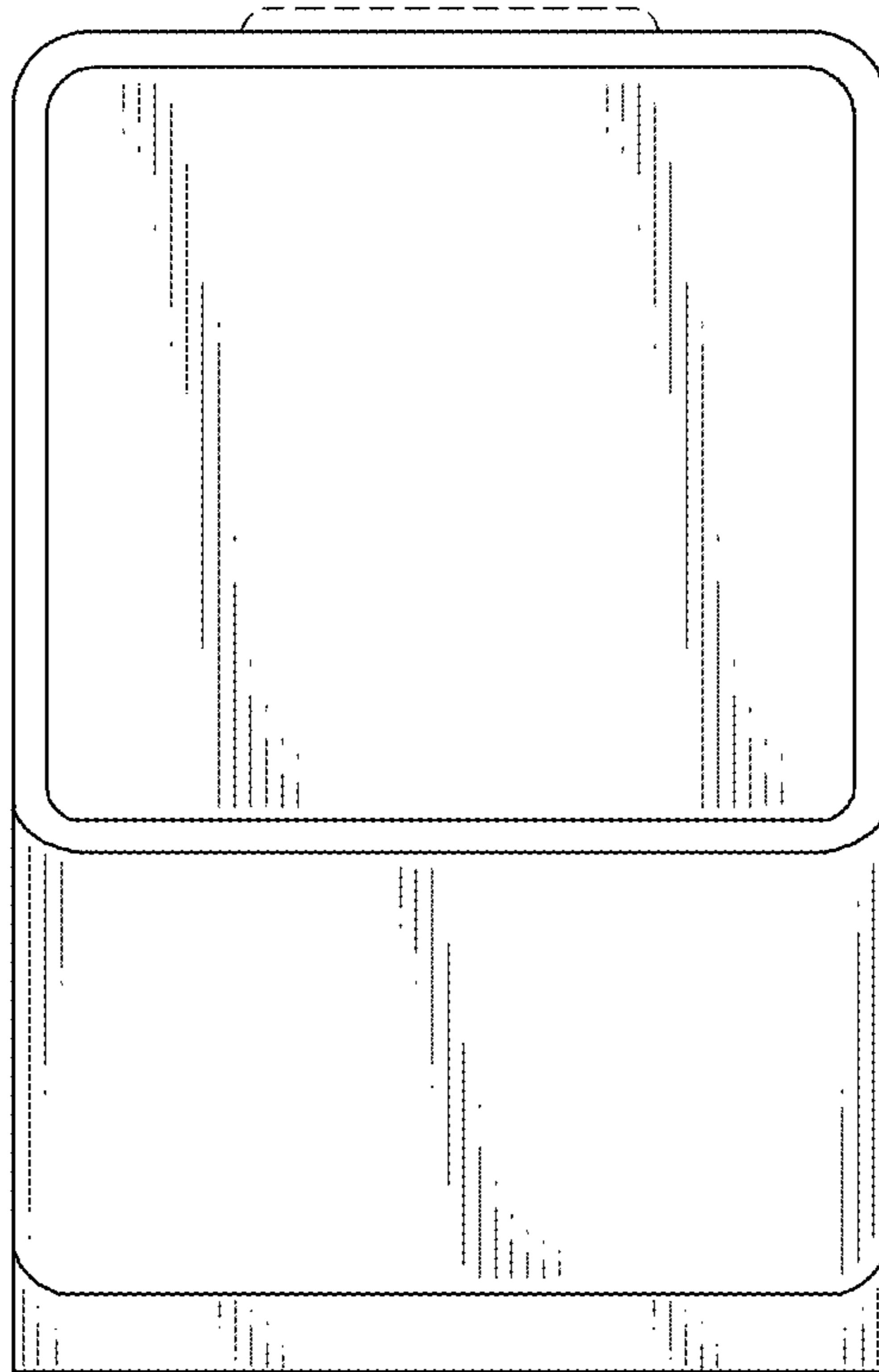


FIG. 3

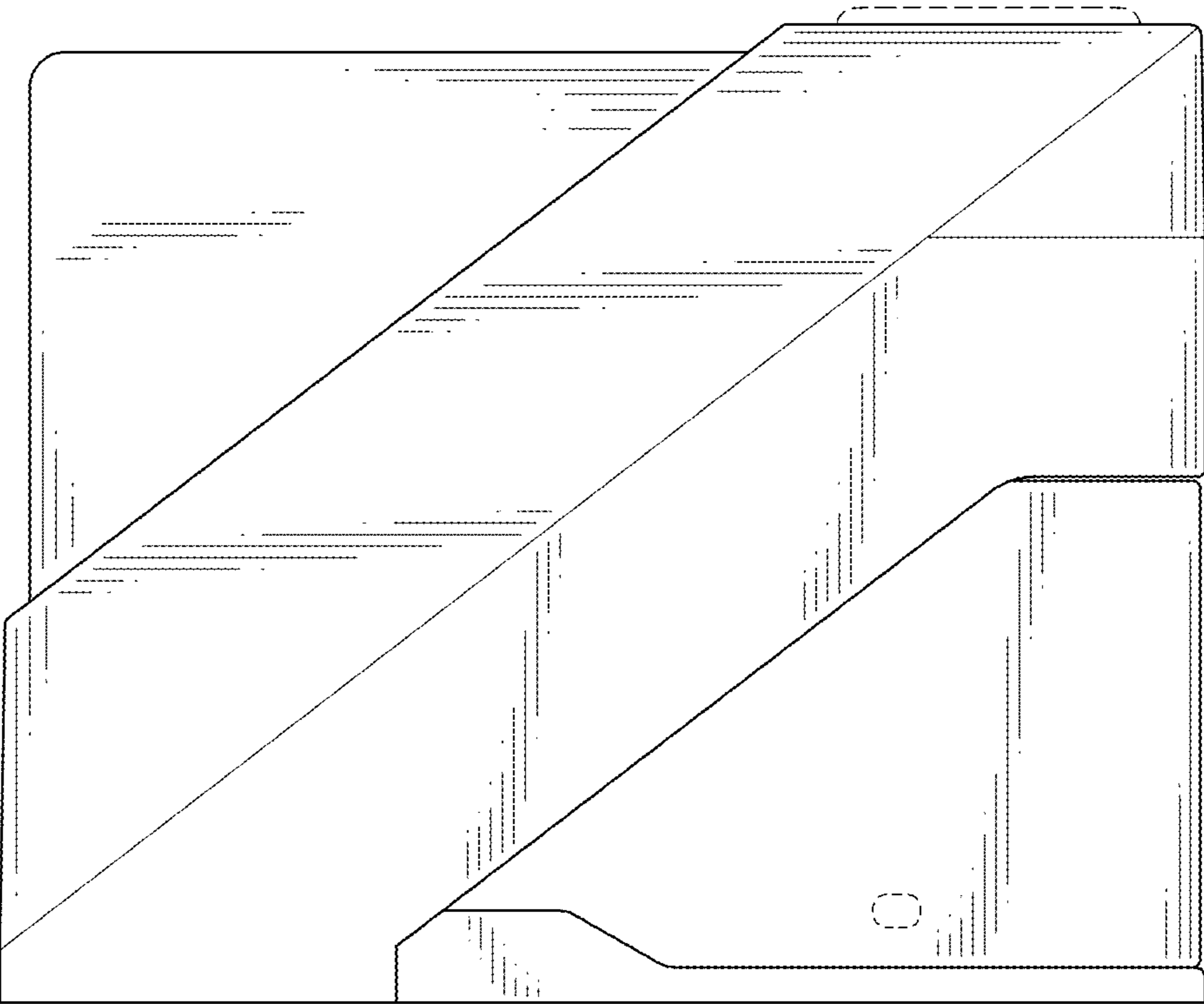


FIG. 4

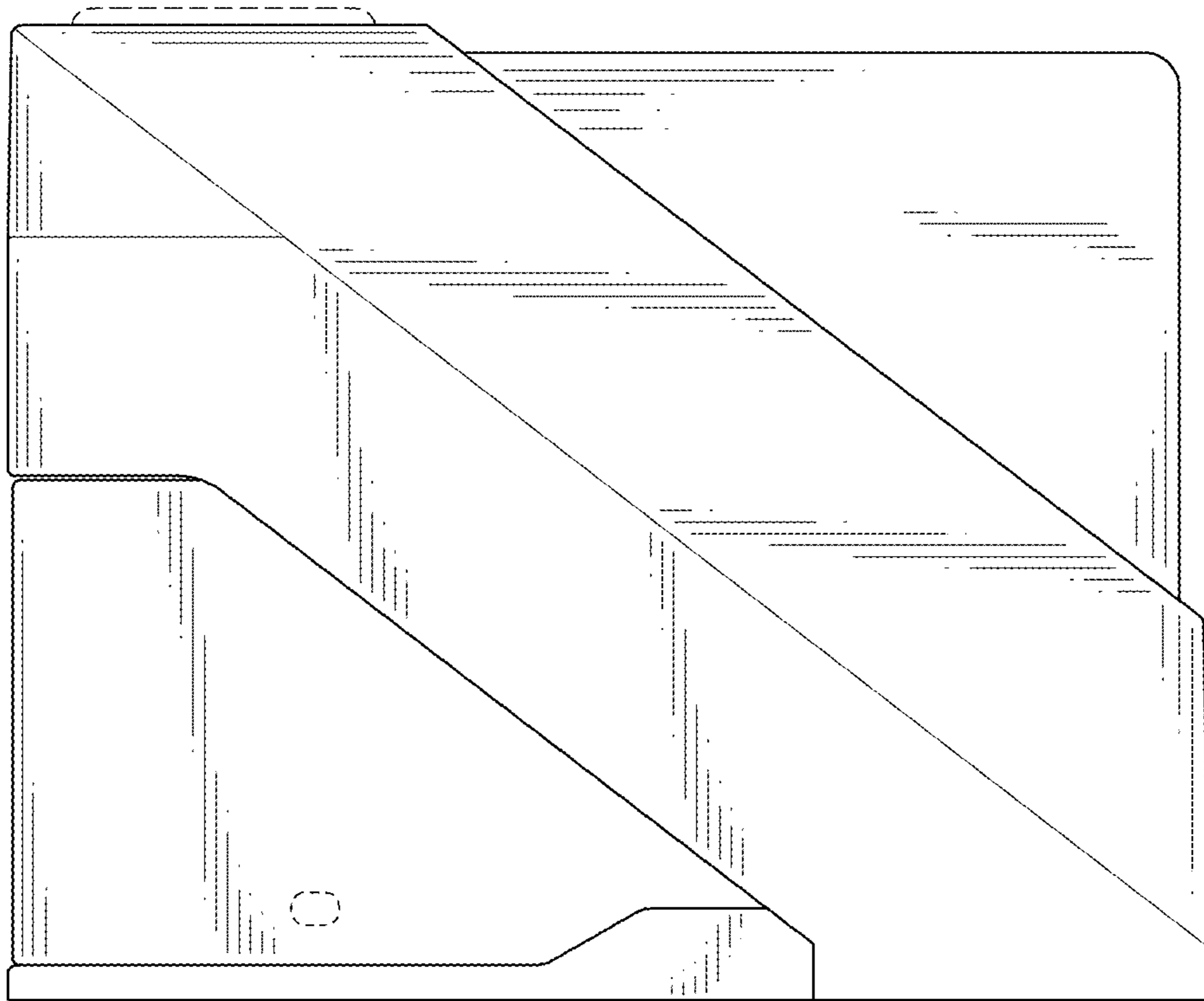


FIG. 5

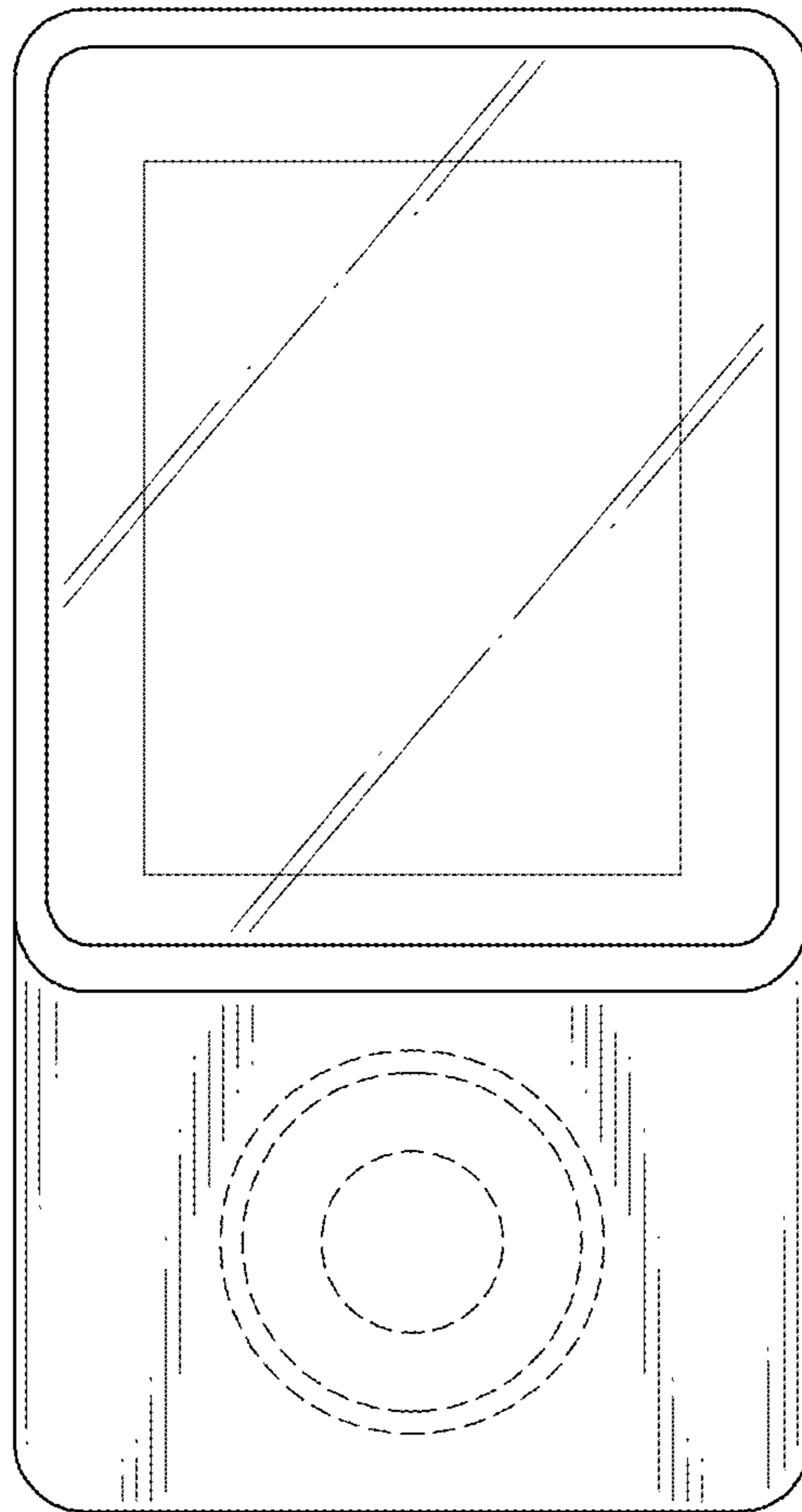


FIG. 6

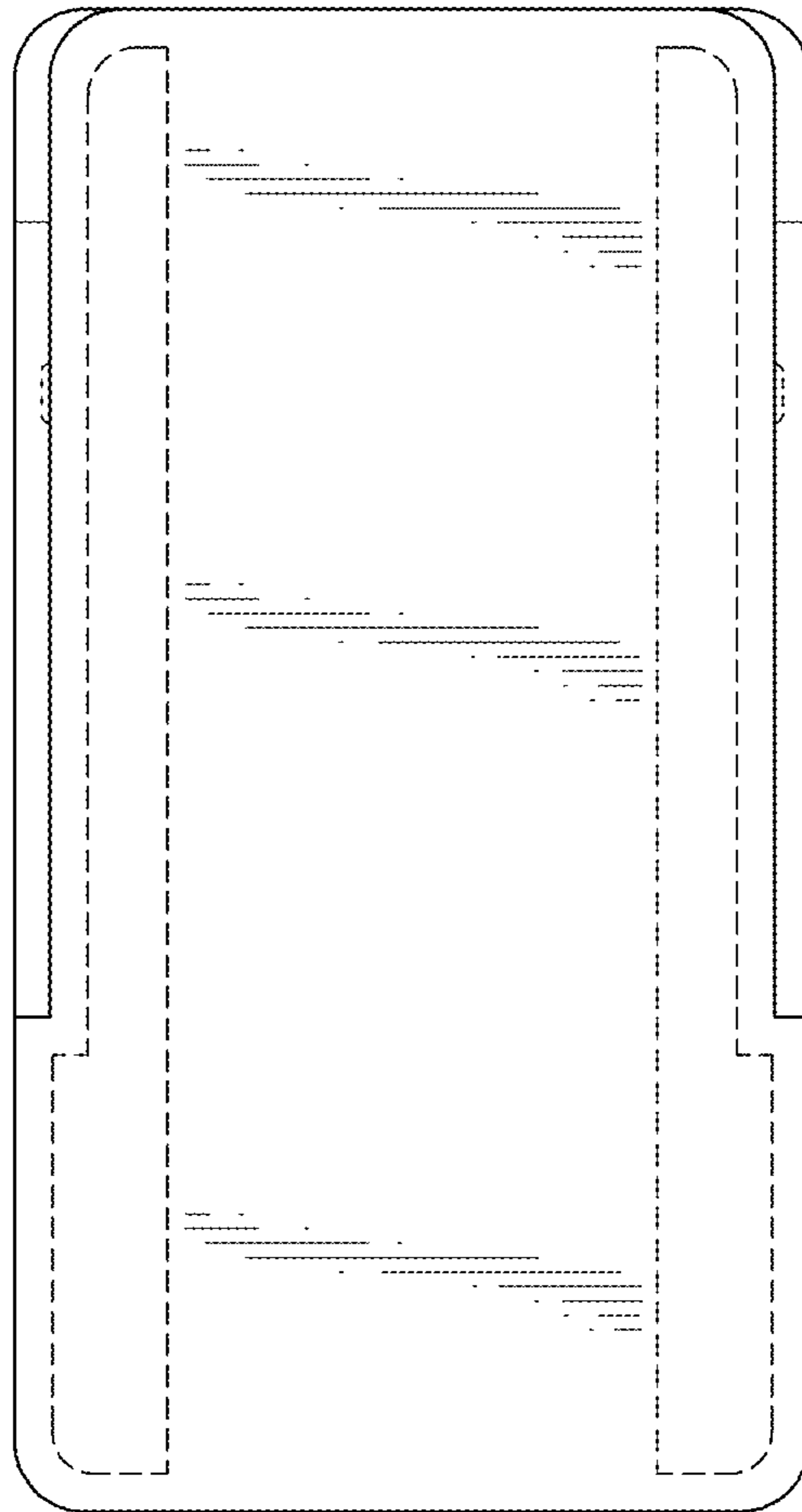


FIG. 7

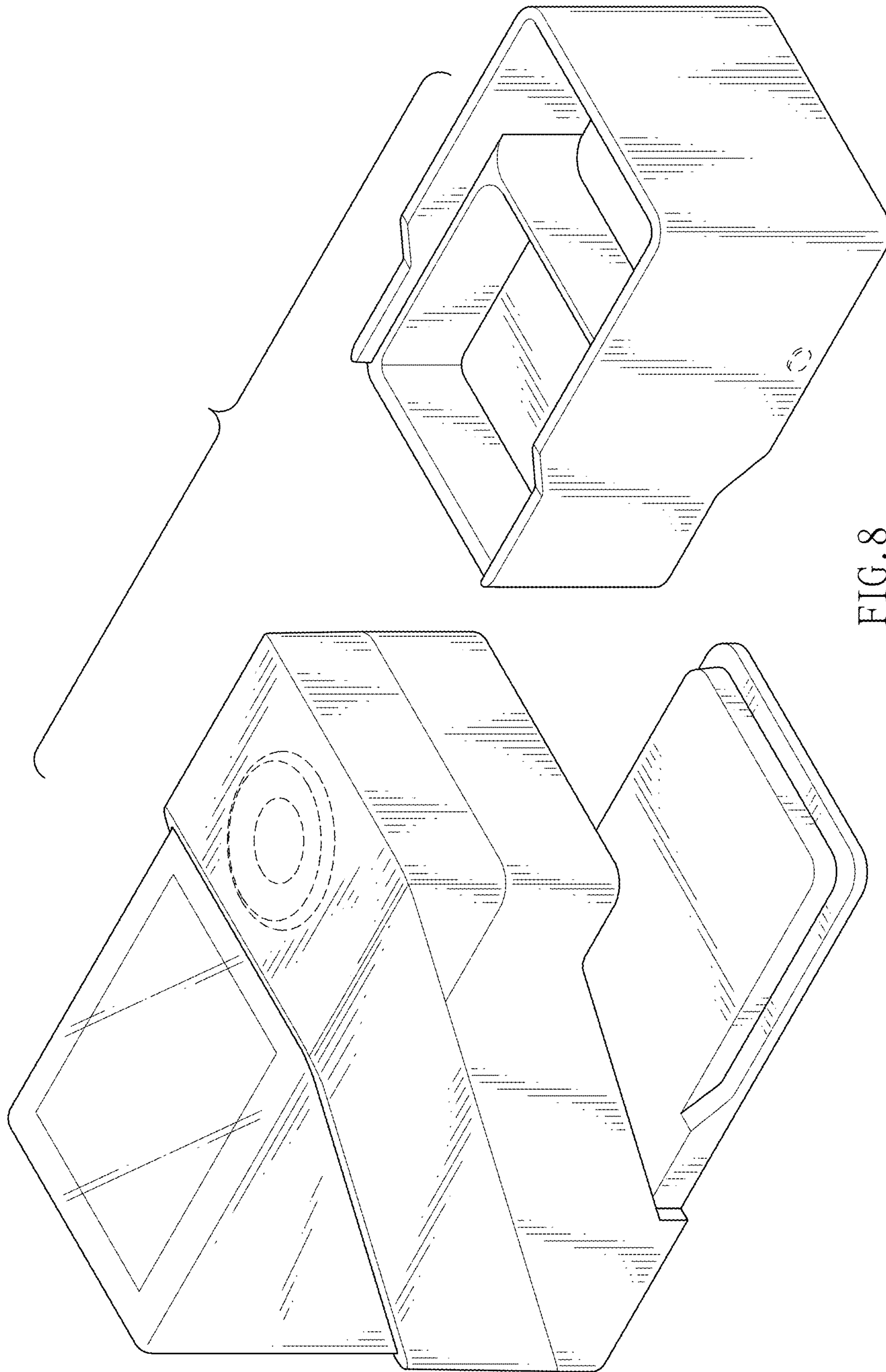


FIG. 8

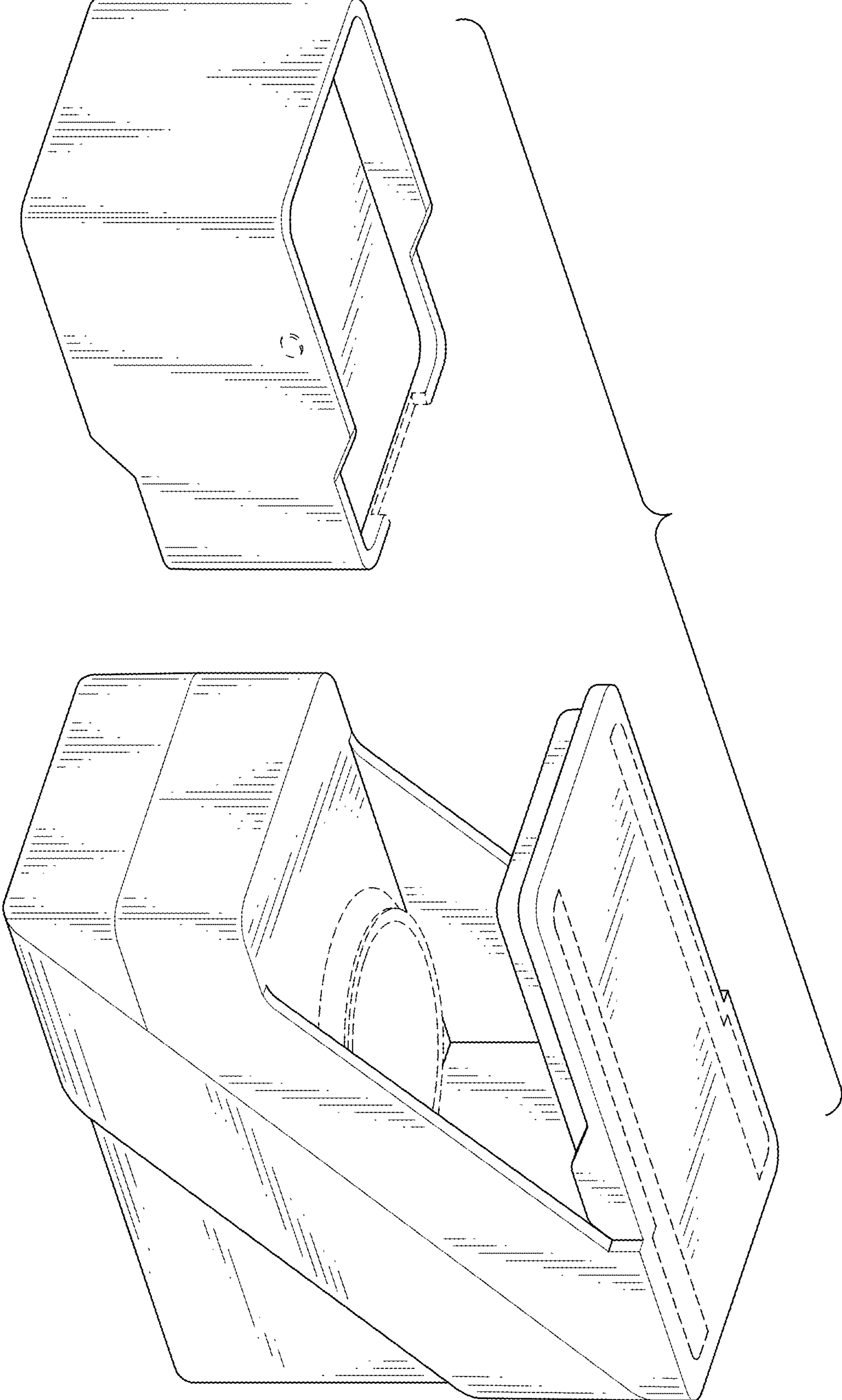


FIG. 9