



US00D969618S

(12) **United States Design Patent**
Sheregar

(10) **Patent No.:** **US D969,618 S**

(45) **Date of Patent:** **** Nov. 15, 2022**

(54) **COSMETIC CONTAINER WITH DISPENSER**

(71) Applicant: **L'OREAL**, Paris (FR)

(72) Inventor: **Venkatesh Sheregar**, Shanghai (CN)

(73) Assignee: **L'Oreal**, Paris (FR)

(**) Term: **15 Years**

(21) Appl. No.: **29/782,140**

(22) Filed: **May 4, 2021**

(30) **Foreign Application Priority Data**

Dec. 11, 2020 (EM) 008317820

(51) **LOC (13) Cl.** **09-01**

(52) **U.S. Cl.**
USPC **D9/730; D9/432**

(58) **Field of Classification Search**
USPC D9/414, 424, 425, 432, 730; D7/629
CPC B65D 43/169; B65D 51/20; B65D 43/22;
B65D 2313/04; B65D 2313/02
See application file for complete search history.

(56) **References Cited**

U.S. PATENT DOCUMENTS

- 6,953,131 B2 * 10/2005 Devine B65D 83/0409
221/246
- D521,876 S * 5/2006 Hsu D9/730
- 7,708,137 B1 * 5/2010 Rowley, Jr. B65D 51/28
220/345.2
- D618,905 S * 7/2010 Watson D3/203.5
- D821,869 S * 7/2018 Cheng D9/432
- D853,838 S * 7/2019 Liu D9/560
- 2008/0041861 A1 * 2/2008 Crawford B65B 43/08
220/697

- 2011/0186570 A1 * 8/2011 Perry B65D 21/02
220/849
- 2017/0327279 A1 * 11/2017 Herlin B65D 43/169
- 2019/0298033 A1 * 10/2019 Silva A45D 34/04
- 2022/0240643 A1 * 8/2022 Suwanto B01F 33/50111

* cited by examiner

Primary Examiner — Lauren R Calve

(74) *Attorney, Agent, or Firm* — Edell, Shapiro & Finnan, LLC

(57) **CLAIM**

The ornamental design for a cosmetic container with dispenser, as shown and described.

DESCRIPTION

FIG. 1 is a front, right, top perspective view of a cosmetic container with dispenser.

FIG. 2 is a rear, right, top perspective view of the cosmetic container with dispenser of FIG. 1.

FIG. 3 is a front, right, bottom perspective view of the cosmetic container with dispenser of FIG. 1.

FIG. 4 is a front elevation view of the cosmetic container with dispenser of FIG. 1.

FIG. 5 is a rear elevation view of the cosmetic container with dispenser of FIG. 1.

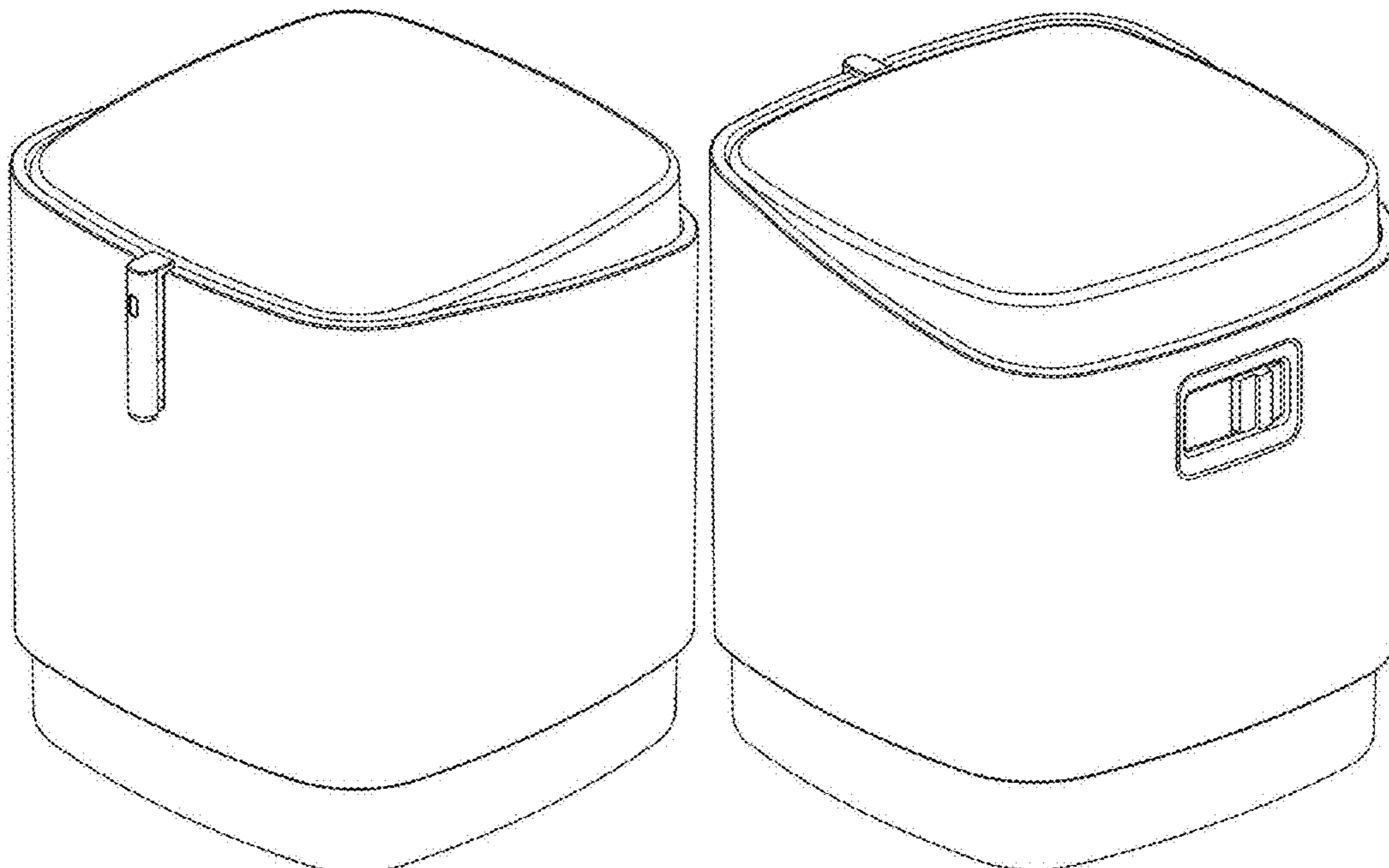
FIG. 6 is a left side elevation view of the cosmetic container with dispenser of FIG. 1.

FIG. 7 is a right side elevation view of the cosmetic container with dispenser of FIG. 1.

FIG. 8 is a top plan view of the cosmetic container with dispenser of FIG. 1; and,

FIG. 9 is a bottom plan view of the cosmetic container with dispenser of FIG. 1.

1 Claim, 5 Drawing Sheets



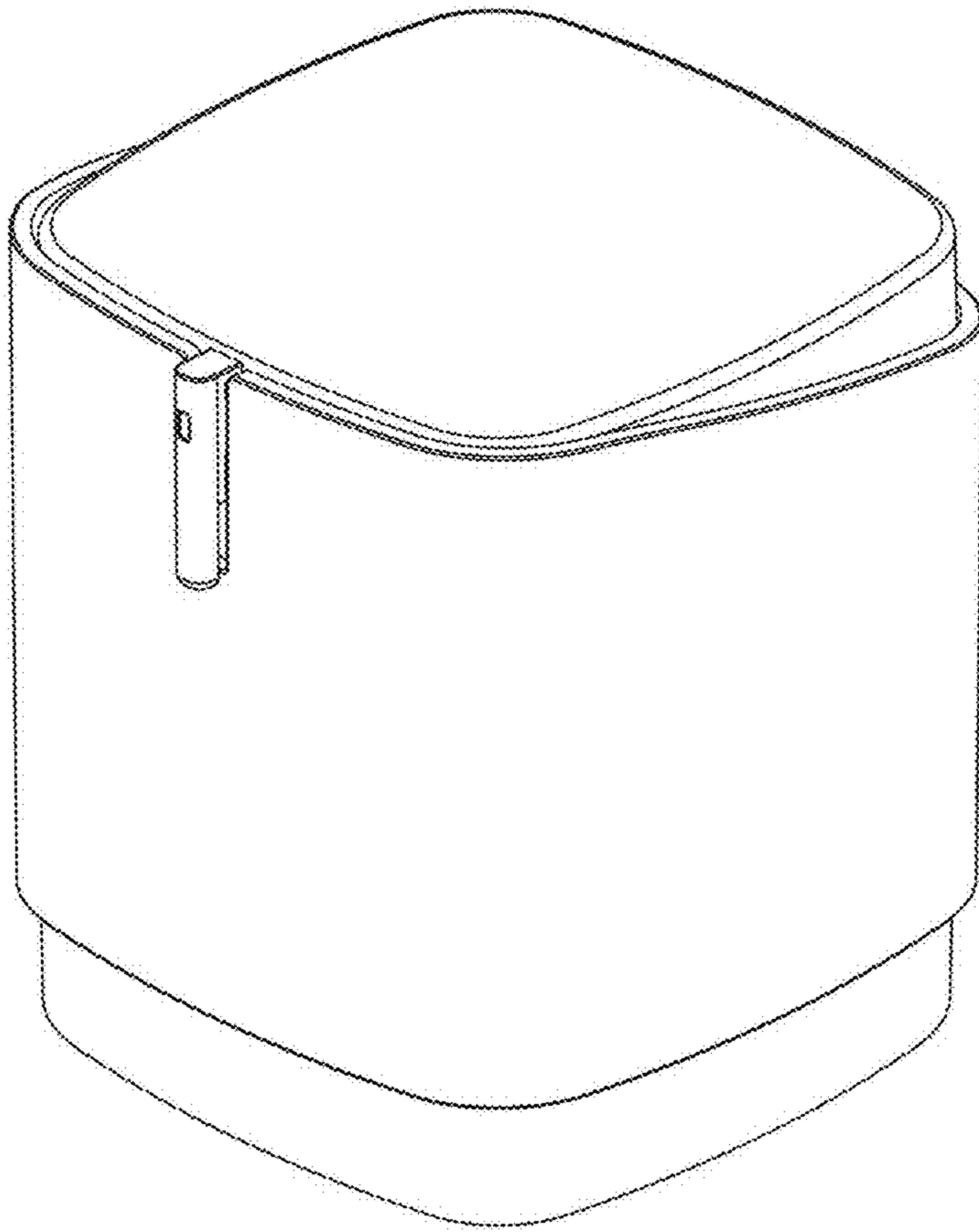


FIG.1

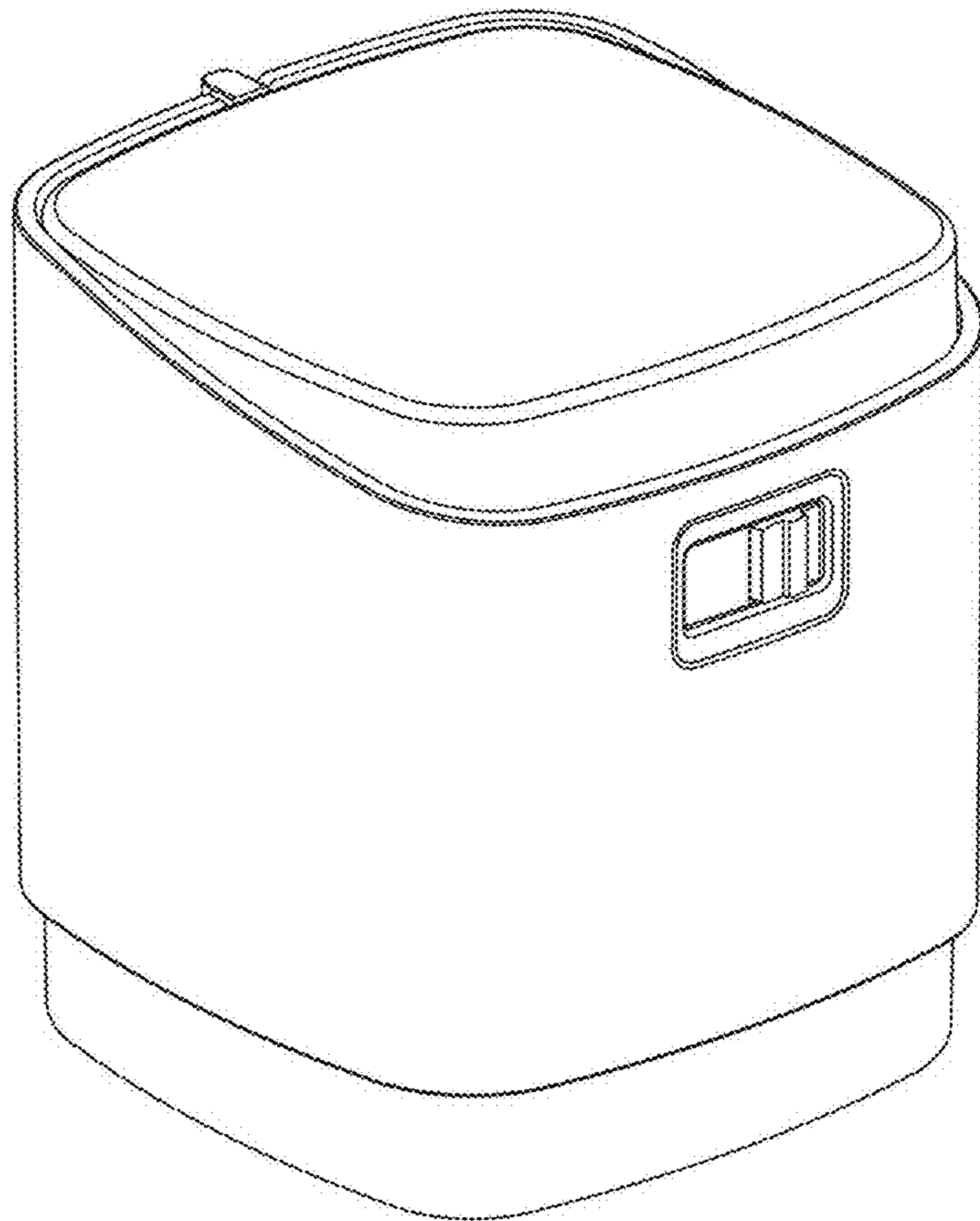


FIG.2

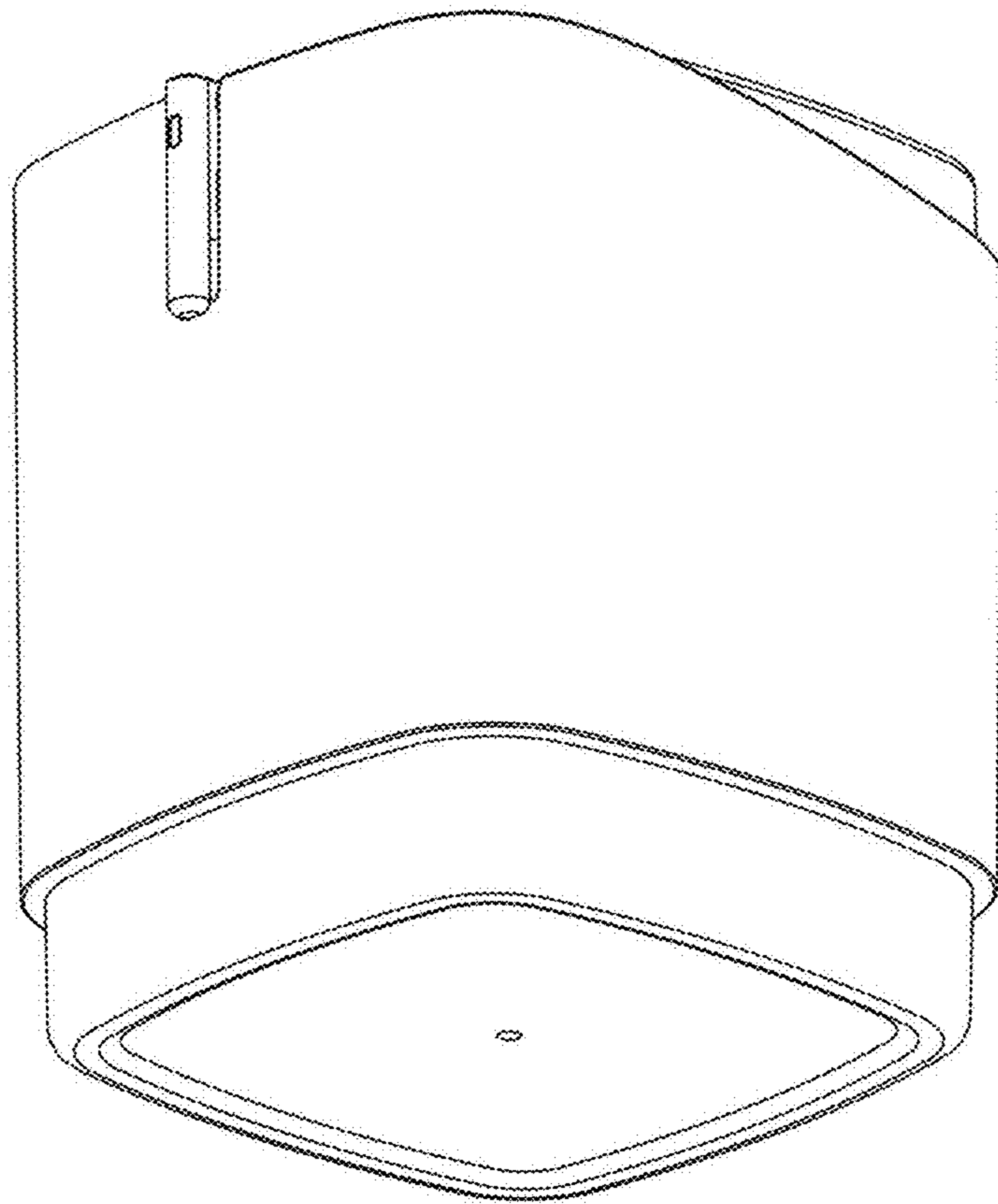


FIG. 3

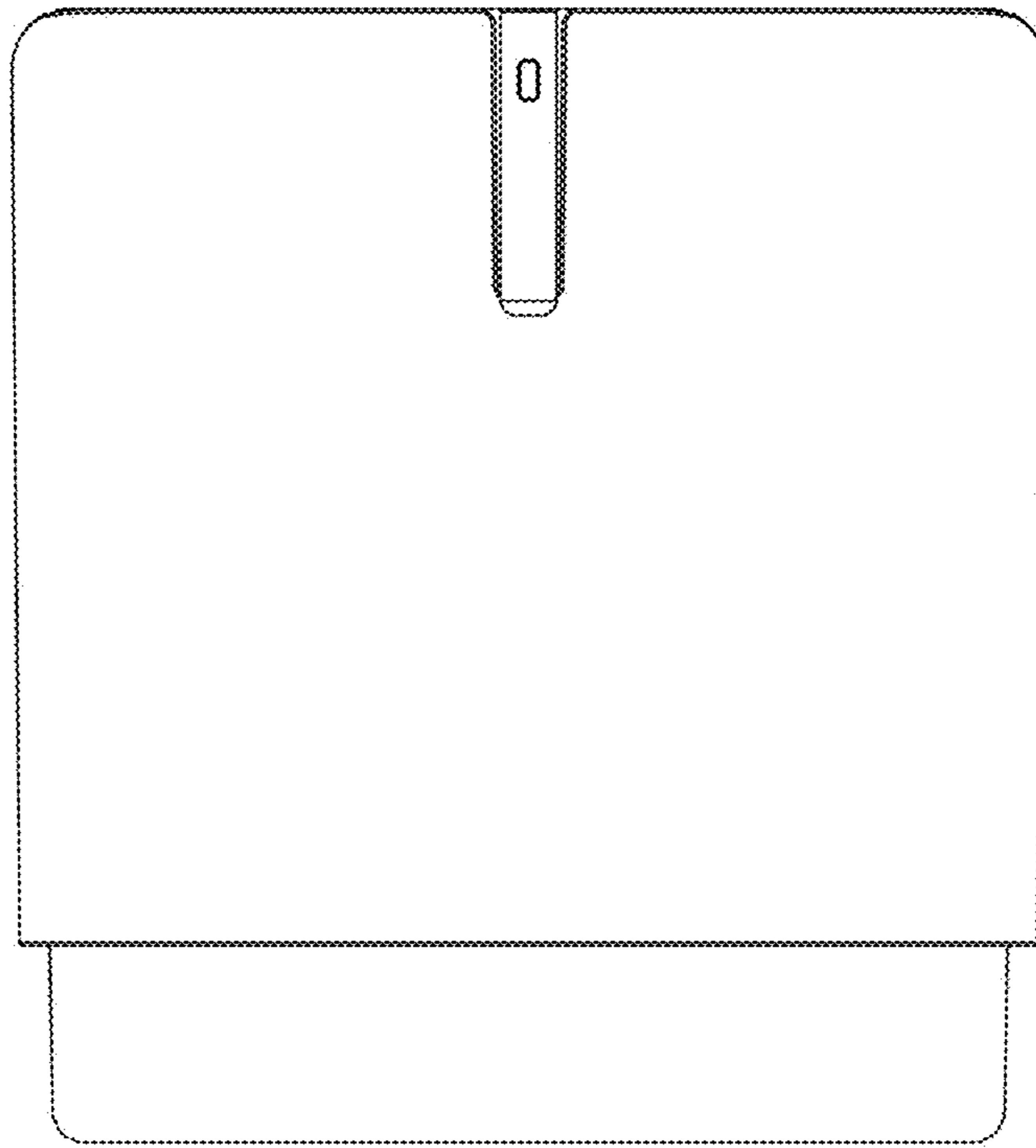


FIG.4

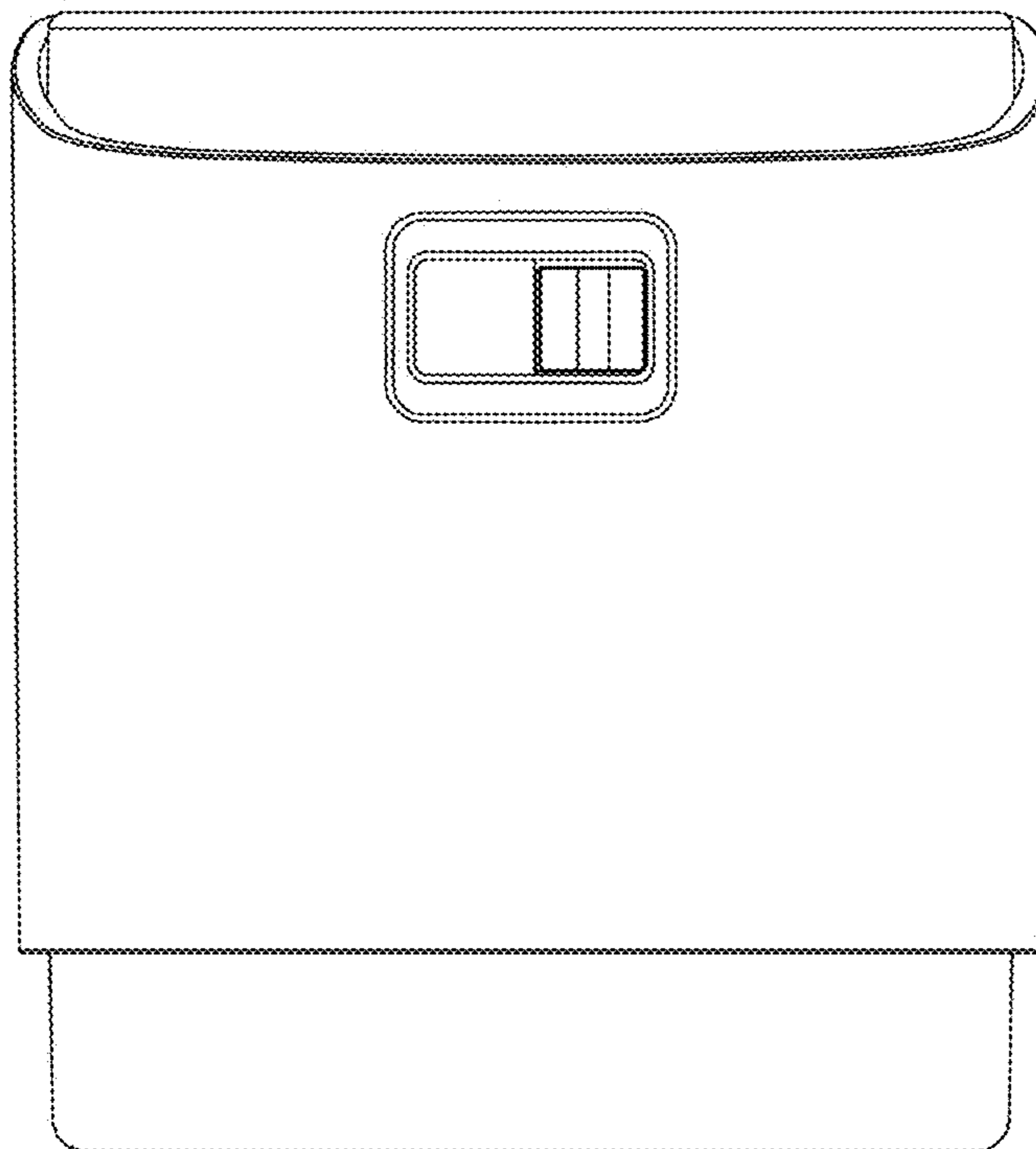


FIG.5

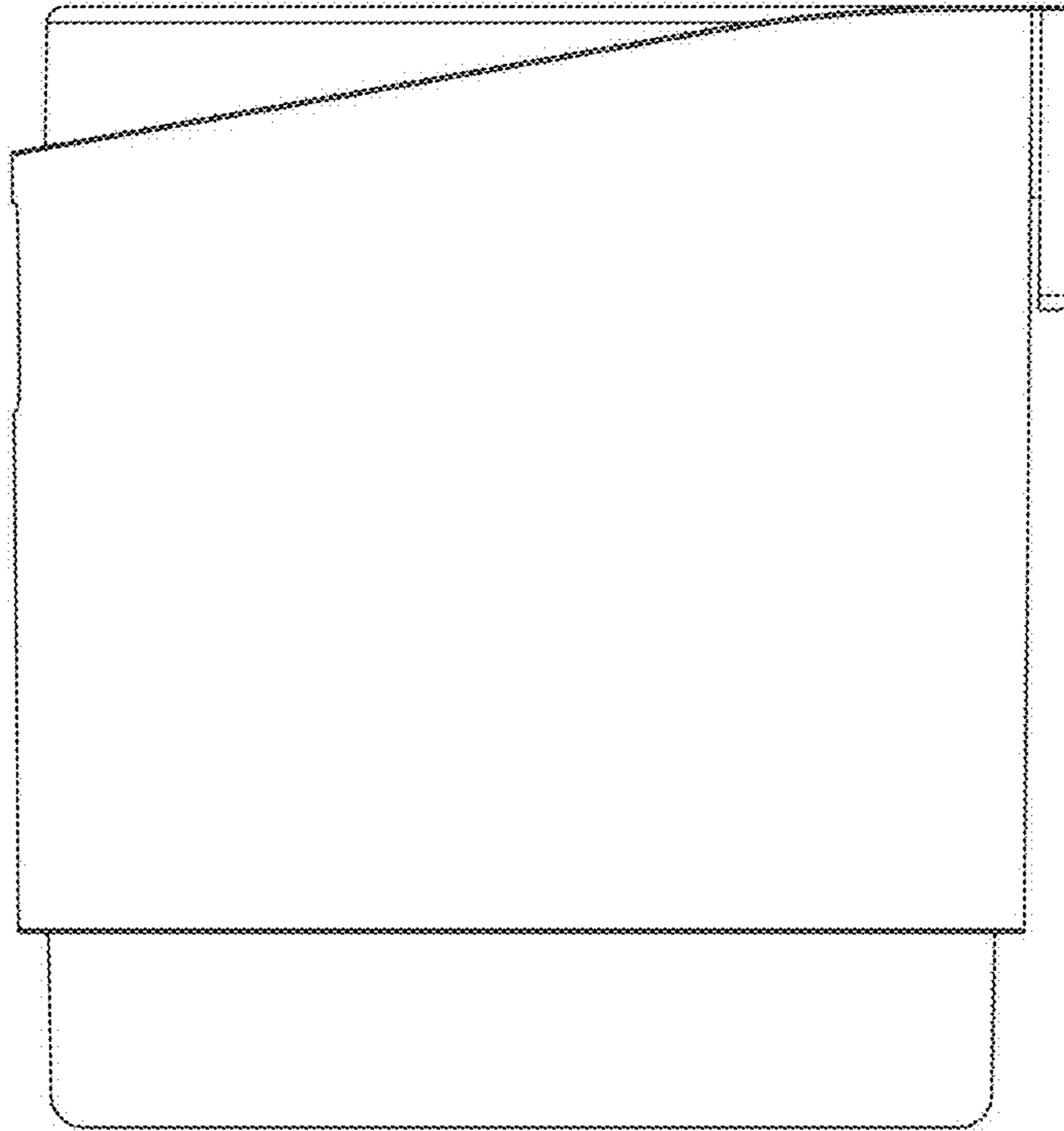


FIG. 6

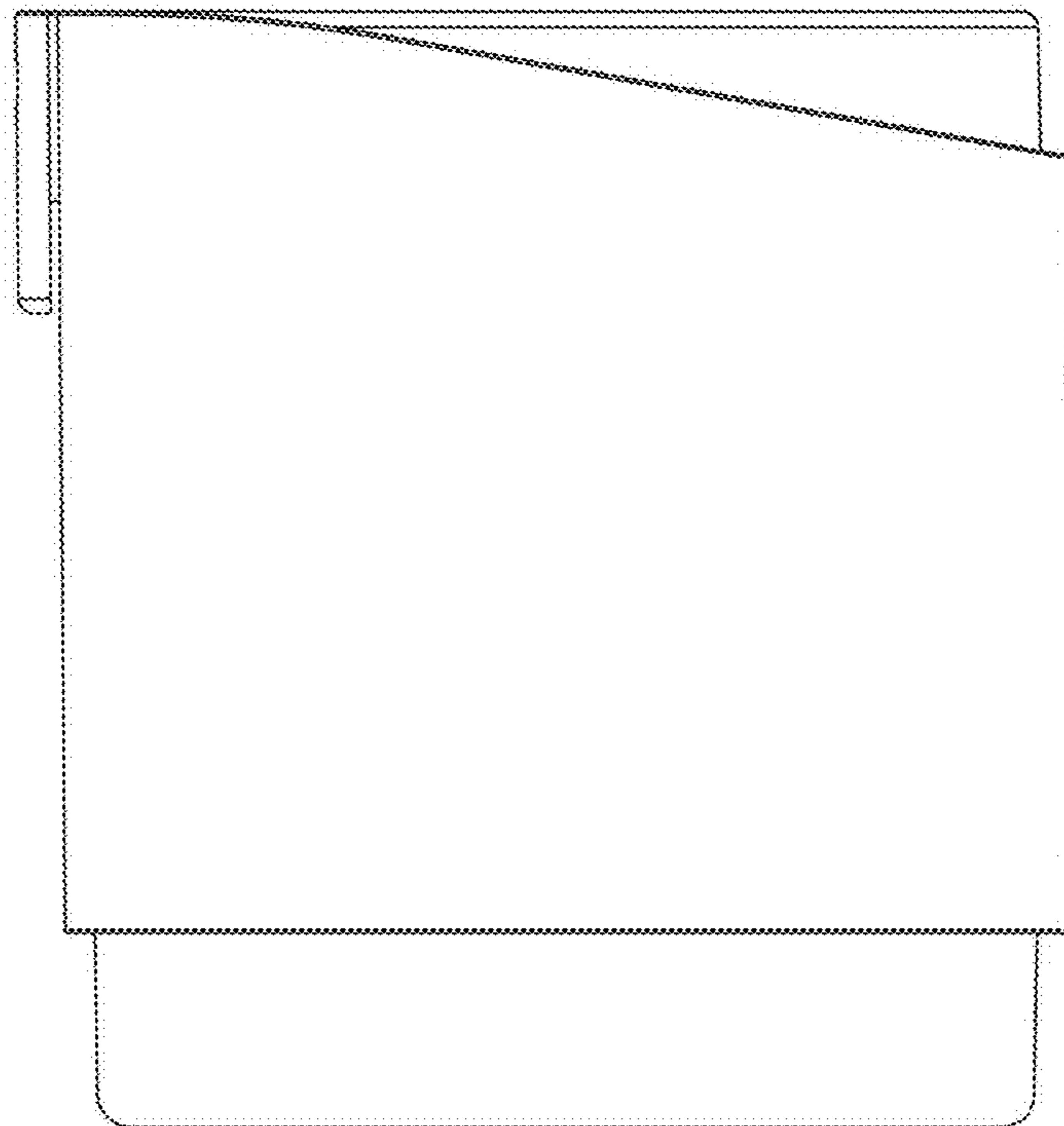


FIG. 7

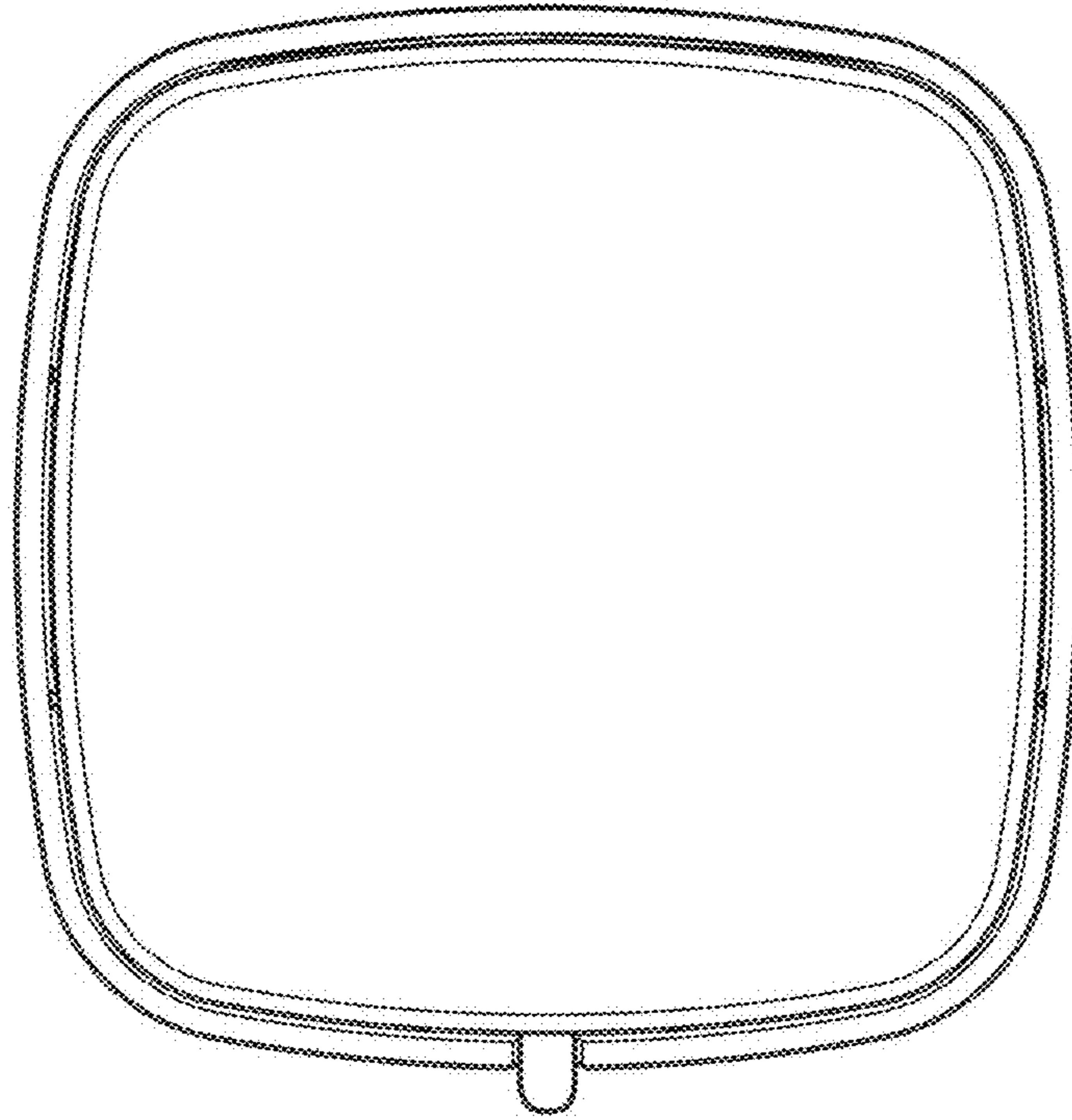


FIG. 8

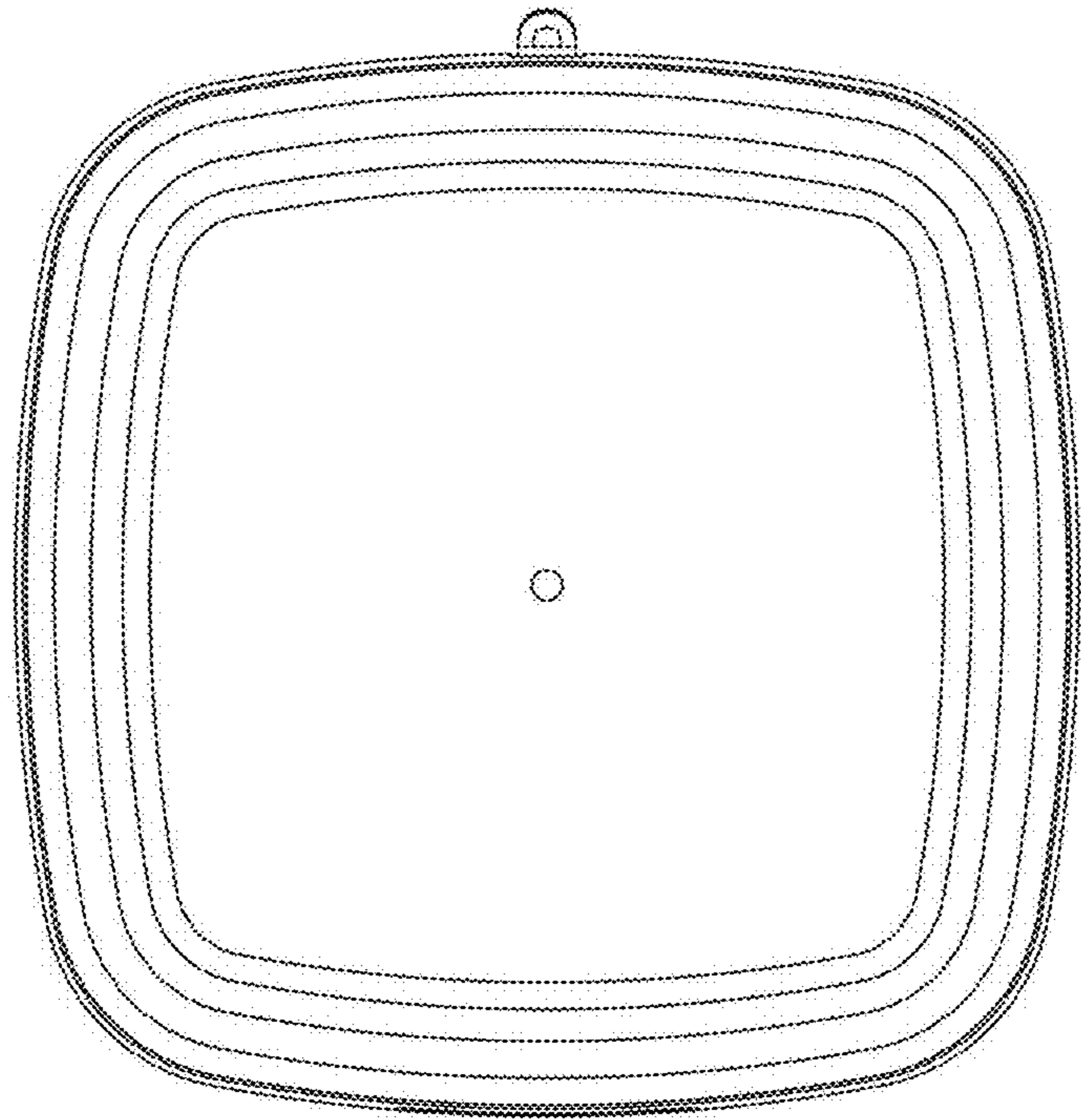


FIG. 9