



US00D969616S

(12) **United States Design Patent** (10) **Patent No.:** **US D969,616 S**
Ford (45) **Date of Patent:** **** Nov. 15, 2022**

(54) **BEVERAGE POUCH**

(71) Applicant: **Terrica Ford**, Decatur, GA (US)

(72) Inventor: **Terrica Ford**, Decatur, GA (US)

(**) Term: **15 Years**

(21) Appl. No.: **29/757,861**

(22) Filed: **Nov. 10, 2020**

(51) **LOC (13) Cl.** **09-05**

(52) **U.S. Cl.**
USPC **D9/702**

(58) **Field of Classification Search**
USPC D9/702-714, 720-722, 416-417,
D9/695-696; D24/118-119, 207;
383/200, 207, 38, 208-209, 63, 61.1, 113,
383/6; 229/87.06, 87.03, 87.08;
426/106, 115, 119-120, 122, 410;
222/94, 107, 541.1, 92, 541.2; 206/811,
206/229, 484; 219/727; D3/201, 232,
D3/240, 245; 150/107
CPC B65D 33/25; B65D 33/06; B65D 33/065;
B65D 33/14; B65D 33/1683; B65D
33/12; B65D 11/00; B65D 11/18; B65D
11/10; B65D 17/00; B65D 17/16; B65D
17/161; B65D 17/163; B65D 17/20;
B65D 31/10; B65D 1/00; B65D 1/02;
B65D 1/09; B65D 1/10; B65D 1/32;
B65D 1/0223; B65F 1/006; B65F 1/062;
B65F 1/1415

See application file for complete search history.

(56) **References Cited**

U.S. PATENT DOCUMENTS

D581,808 S *	12/2008	Schwartz	D9/708
D674,707 S *	1/2013	Berman	D9/710
D680,447 S *	4/2013	Fang	D9/710
D689,776 S *	9/2013	Murray	D9/707
D740,133 S *	10/2015	Murray	D9/708
D764,931 S *	8/2016	Ueda	D9/702

* cited by examiner

Primary Examiner — Abraham Bahta

(74) *Attorney, Agent, or Firm* — Clayton, McKay & Bailey, PC

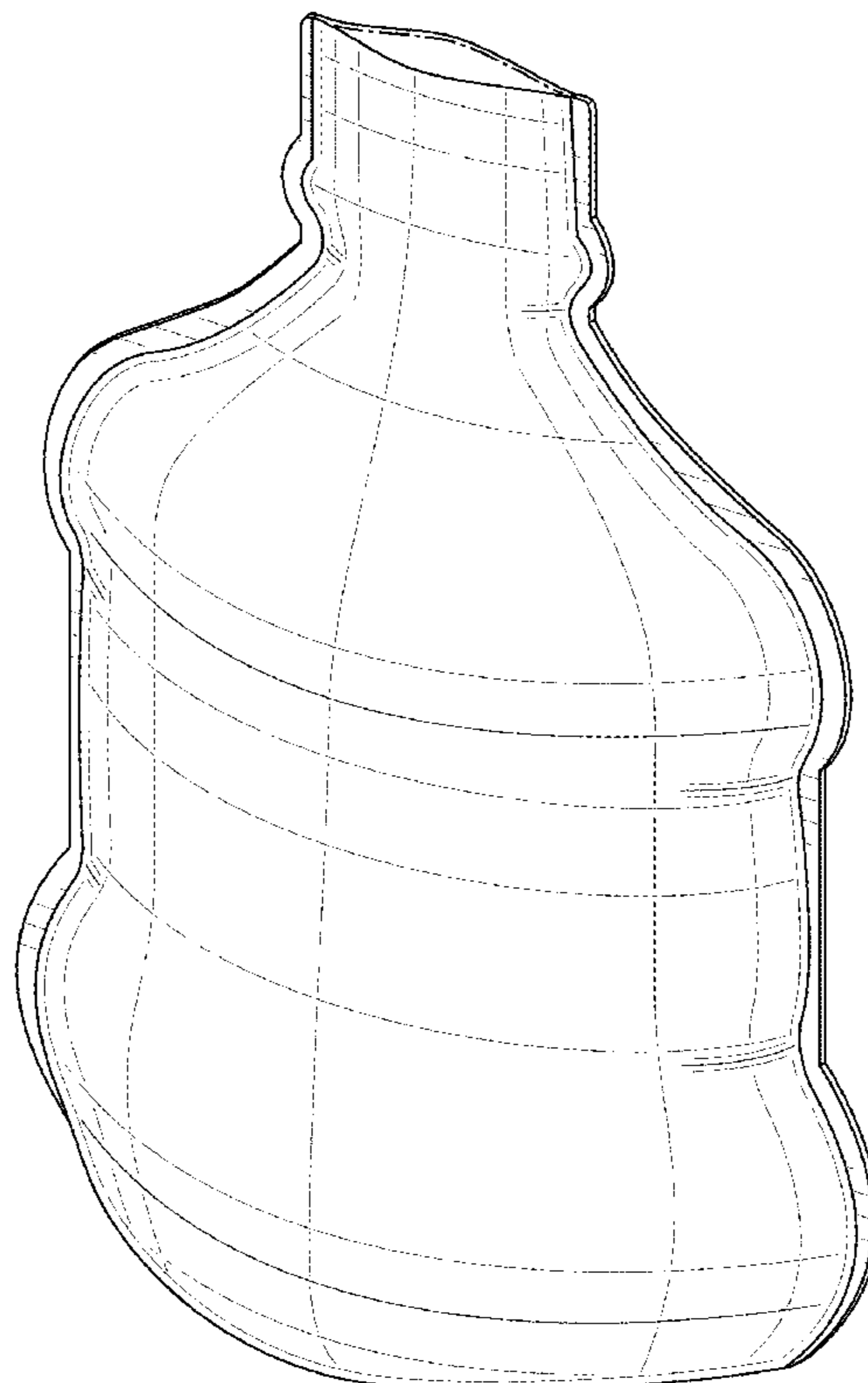
(57) **CLAIM**

The ornamental design for a beverage pouch, as shown and described.

DESCRIPTION

FIG. 1 is a perspective view of a beverage pouch showing my new design.
FIG. 2 is a front view of the beverage pouch.
FIG. 3 is a rear view of the beverage pouch.
FIG. 4 is a left-side view of the beverage pouch.
FIG. 5 is a right-side view of the beverage pouch.
FIG. 6 is a top-down view of the beverage pouch; and,
FIG. 7 is a bottom-up view of the beverage pouch.
The dash-dot-dash line showing of portions of the beverage pouch is included for illustrating environmental structure and forms no part of the claimed design.

1 Claim, 7 Drawing Sheets



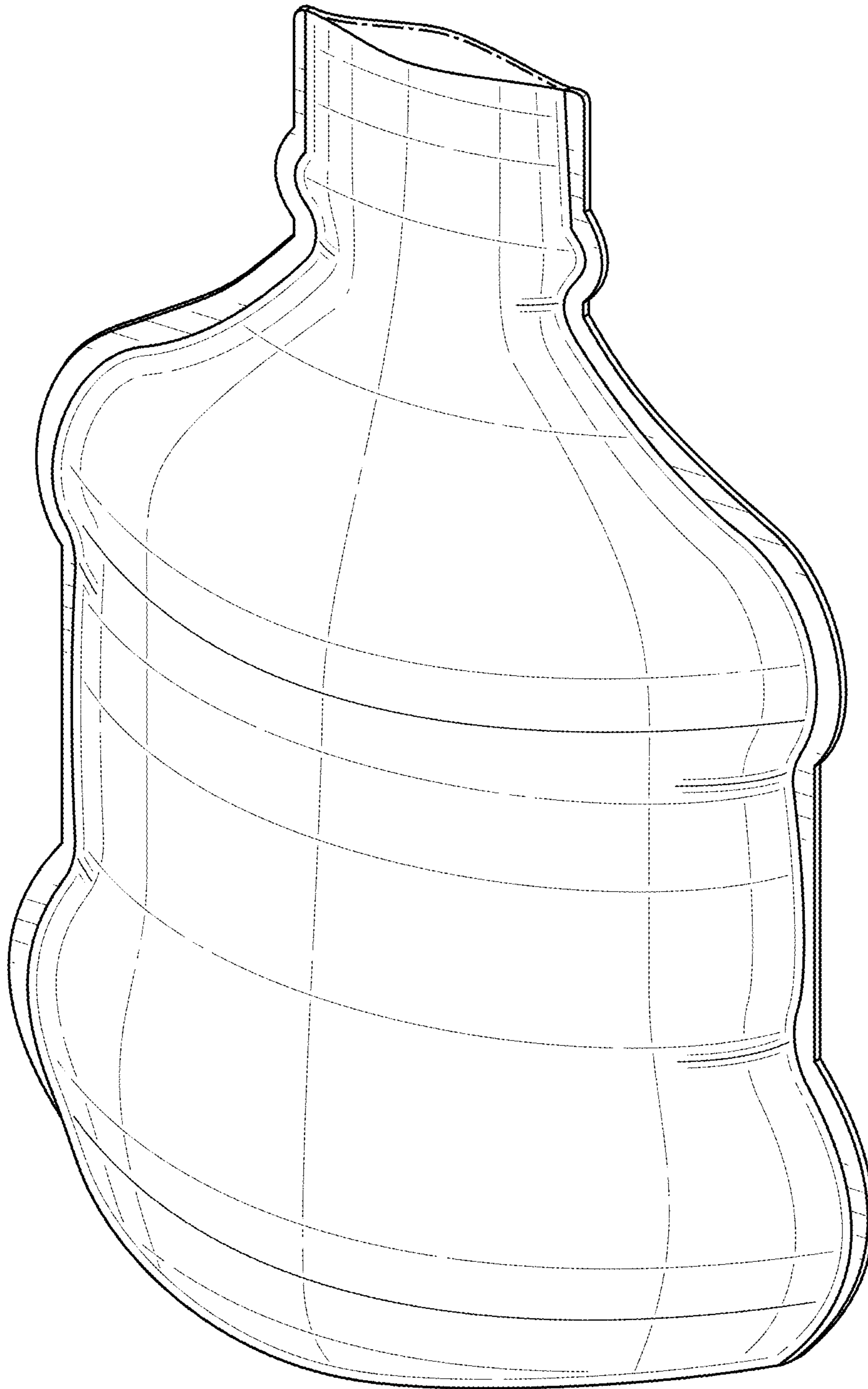


FIG. 1

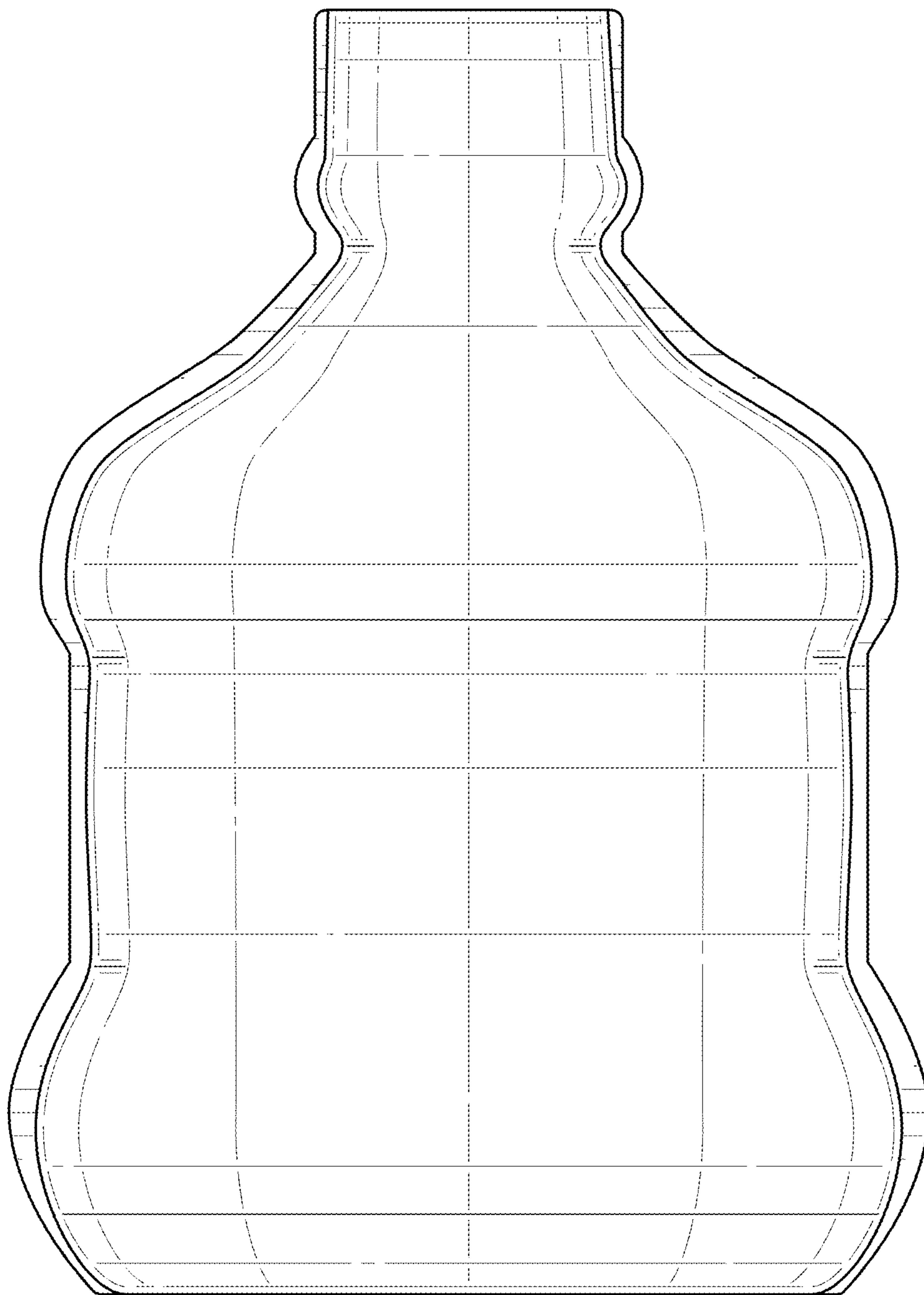


FIG. 2

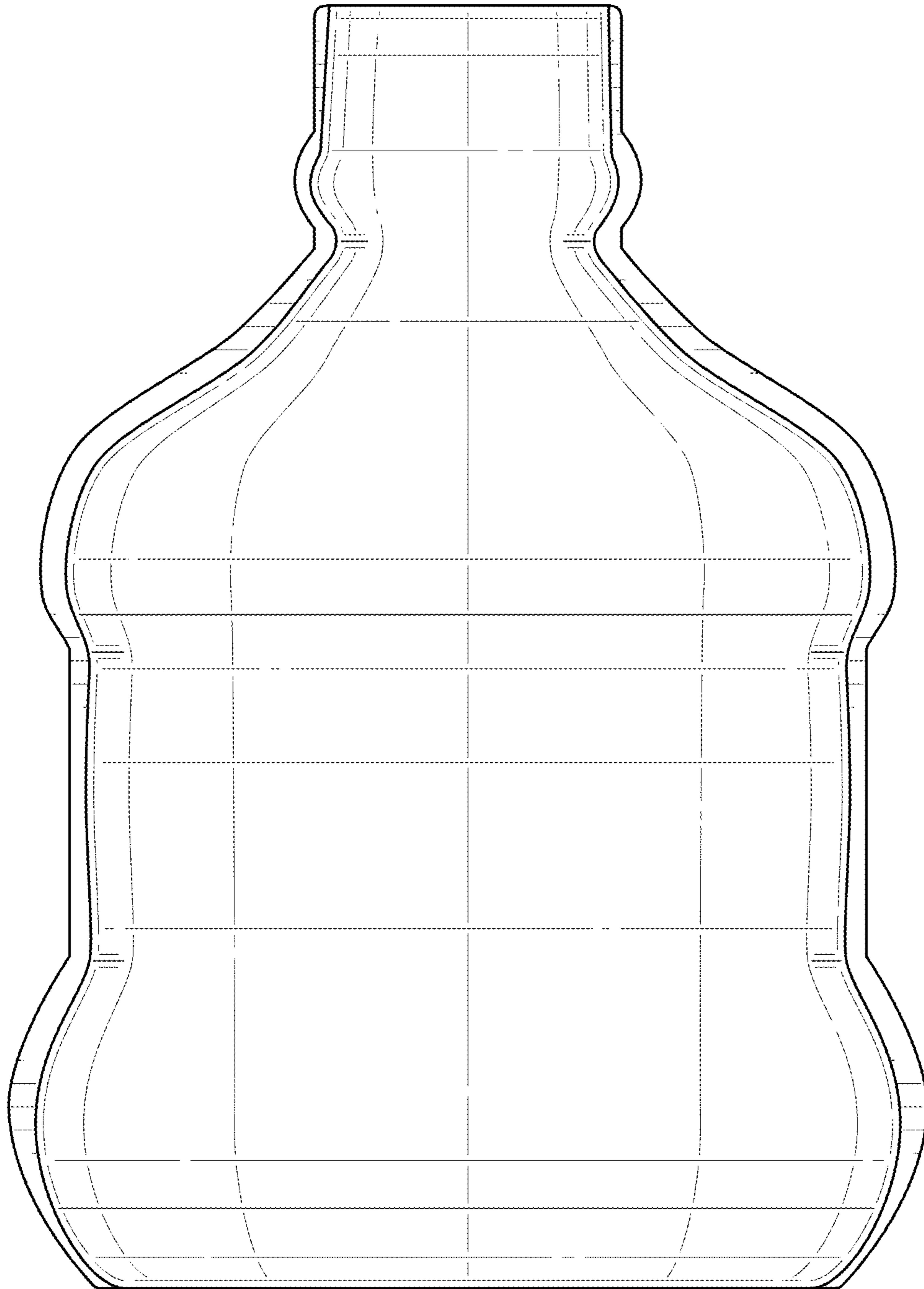


FIG. 3

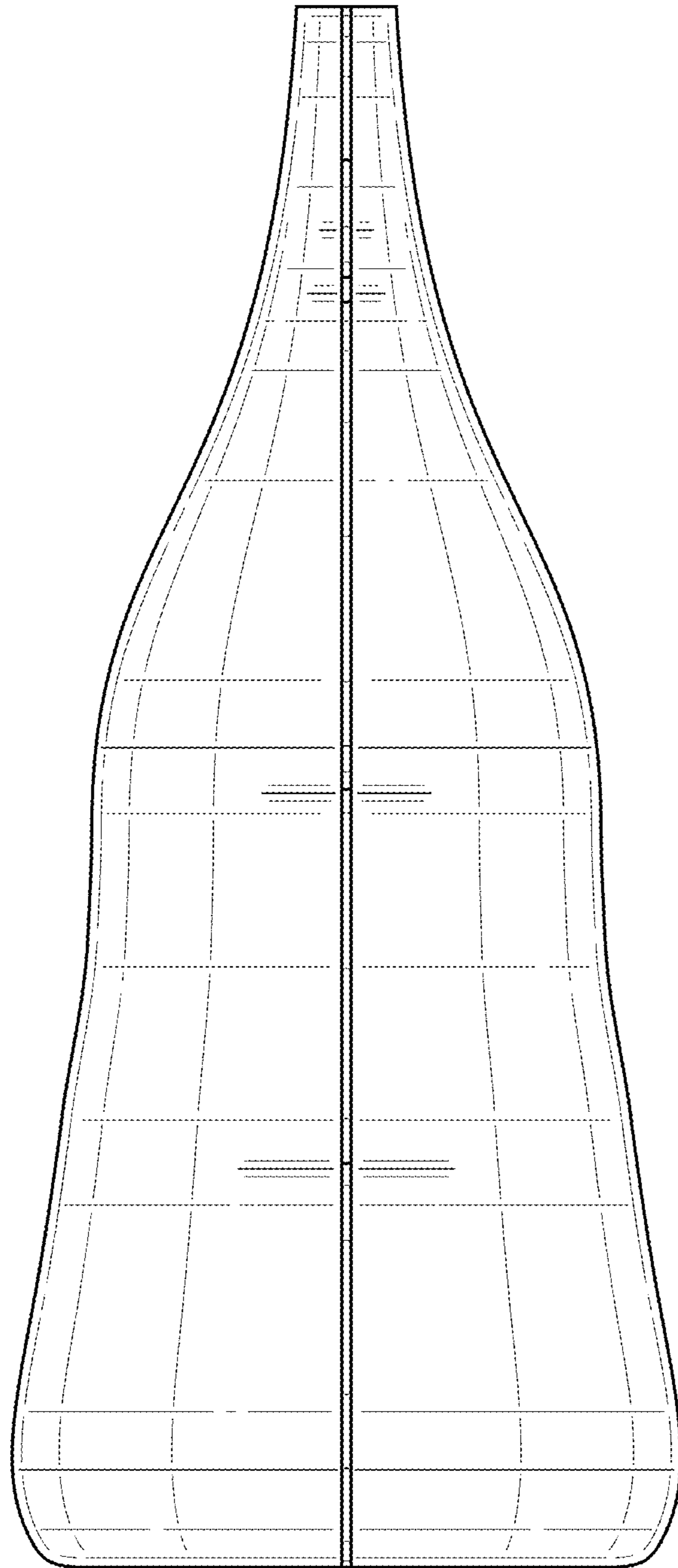


FIG. 4

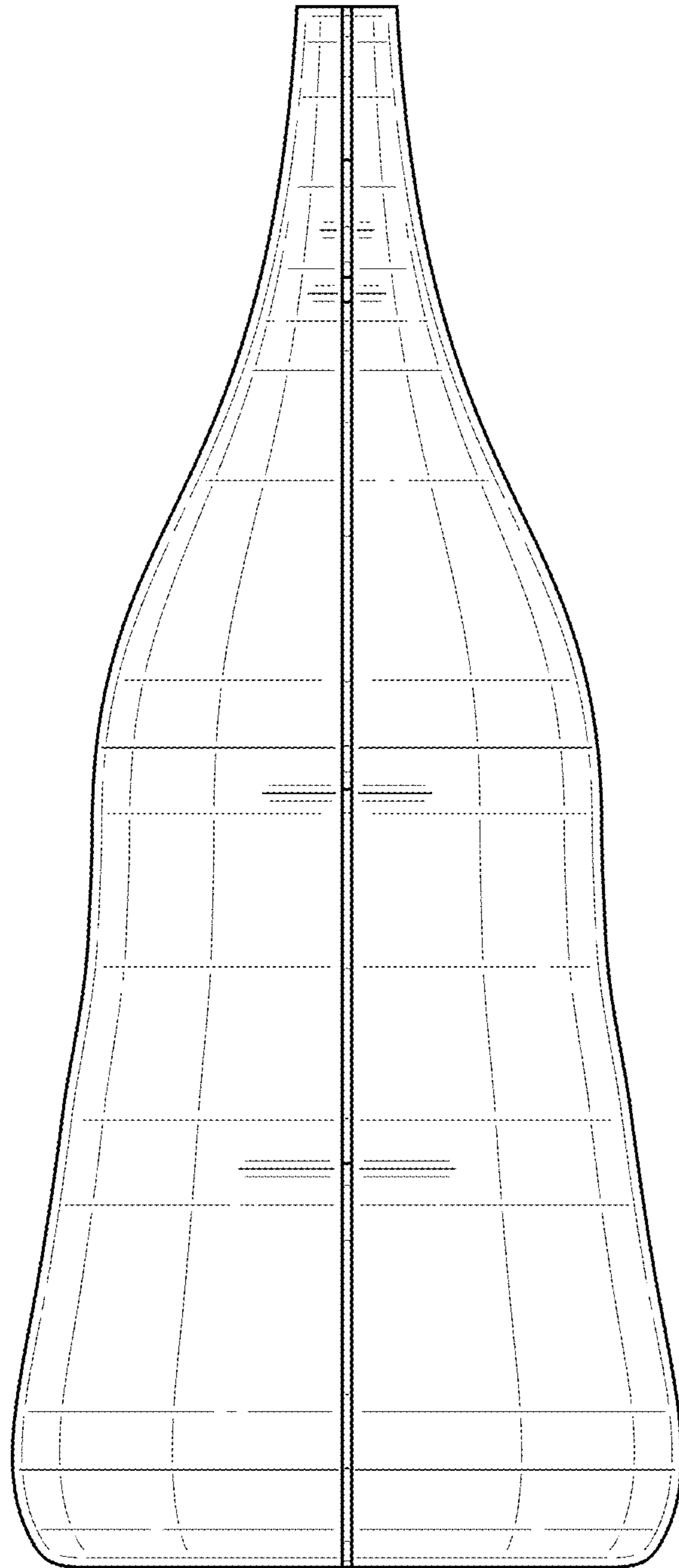


FIG. 5

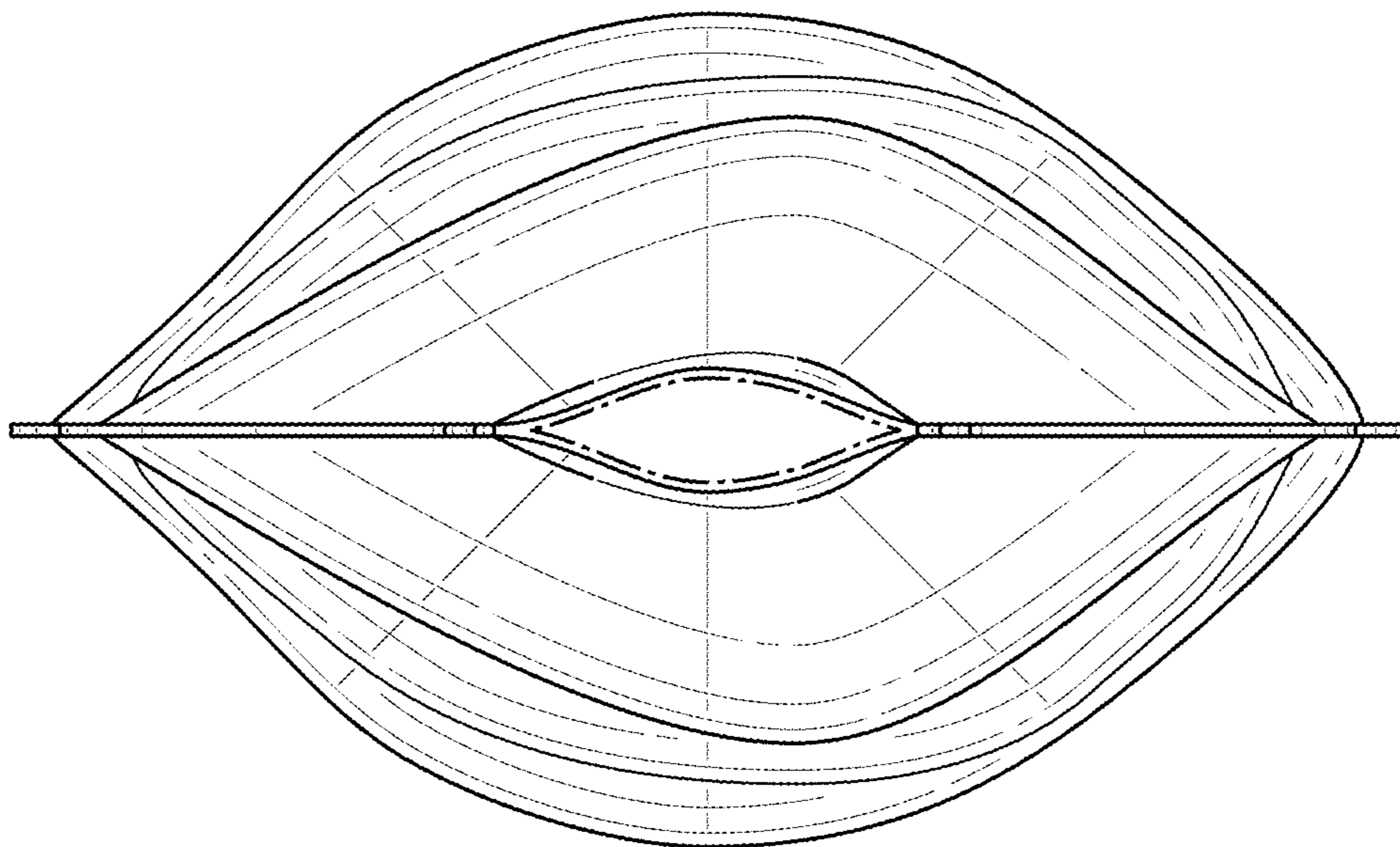


FIG. 6

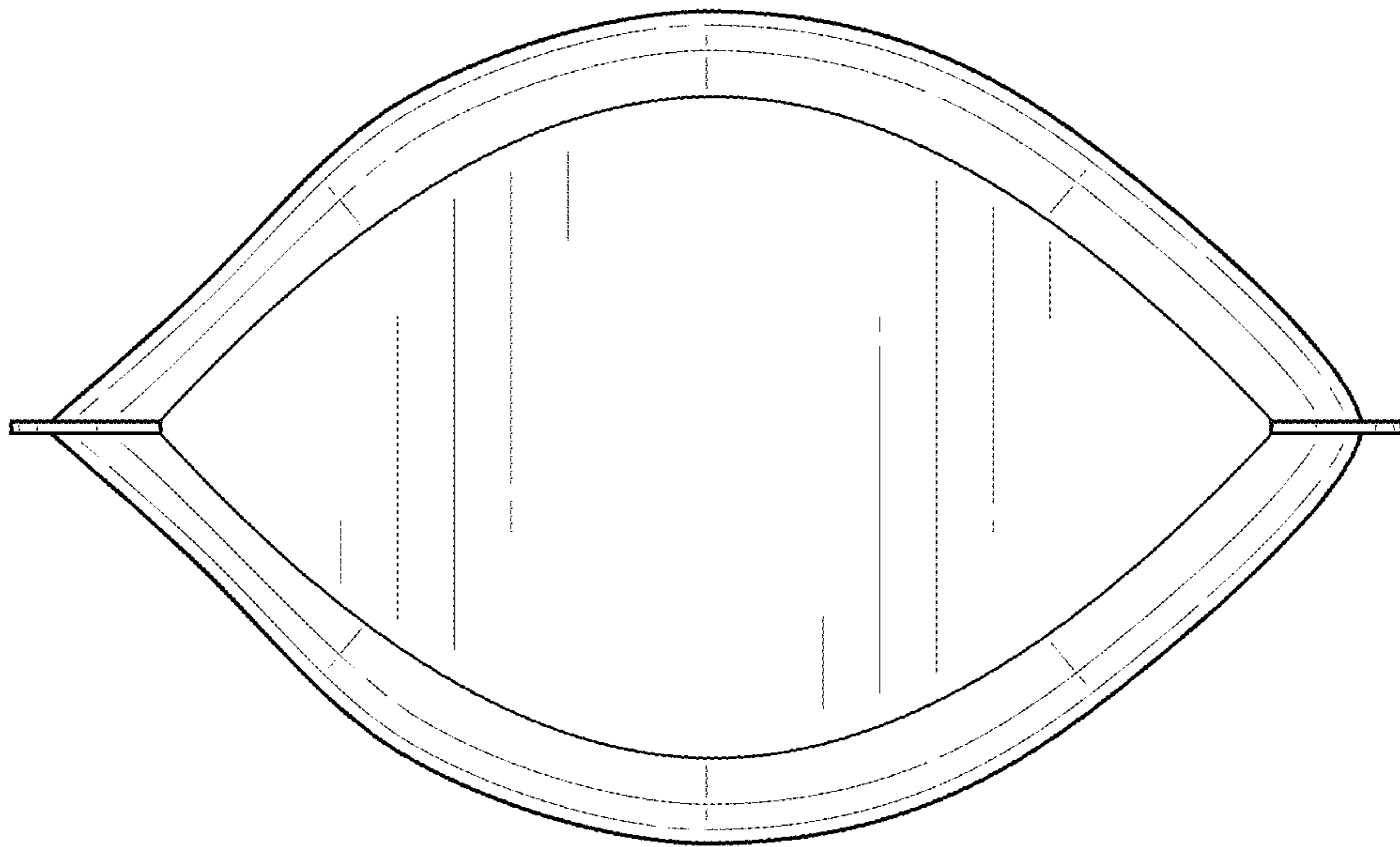


FIG. 7