



US00D969610S

(12) **United States Design Patent** (10) **Patent No.:** **US D969,610 S**  
**Cortadellas et al.** (45) **Date of Patent:** **\*\* Nov. 15, 2022**

(54) **CONTAINER**  
(71) Applicant: **PepsiCo, Inc.**, Purchase, NY (US)  
(72) Inventors: **Xavier Cortadellas**, Hallandale Beach, FL (US); **Joseph Clarkson**, Chicago, IL (US); **Renee Hamaoui**, Boca Raton, FL (US); **Toby Richard David Wingfield**, Crystal Lake, IL (US); **Camille Anna Rucker**, Paradise Valley, AZ (US); **Charles Simon Paradise**, Brooklyn, NY (US); **Ronald Edward Ondrey**, Bayonne, NJ (US); **Daniel Craig Grossman**, Bronx, NY (US)

D207,030 S \* 2/1967 Terrell ..... D9/526  
D321,320 S \* 11/1991 Halm ..... D7/591  
D342,140 S \* 12/1993 Sakagami ..... B01L 3/523  
D9/523  
D346,331 S \* 4/1994 Jaramillo ..... D9/520  
D349,056 S \* 7/1994 Jaramillo ..... D9/543  
D358,660 S \* 5/1995 Swift ..... D9/523  
D363,028 S \* 10/1995 Mansau ..... D9/570  
D427,062 S \* 6/2000 Alvarez ..... D23/211.1  
D454,788 S \* 3/2002 Pezzoli ..... D9/530  
D608,208 S \* 1/2010 Vaughan ..... D9/528  
D673,456 S \* 1/2013 Masters ..... D9/563  
D687,712 S \* 8/2013 Juna ..... D9/528  
D696,588 S \* 12/2013 Maas ..... D9/528  
D745,804 S \* 12/2015 Baacke ..... D7/402

(73) Assignee: **PepsiCo, Inc.**, Purchase, NY (US)

(\*\*) Term: **15 Years**

(21) Appl. No.: **29/773,018**

(22) Filed: **Mar. 5, 2021**

(51) **LOC (13) Cl.** ..... **09-01**

(52) **U.S. Cl.**  
USPC ..... **D9/526**

(58) **Field of Classification Search**  
USPC ..... D9/434-435, 439, 447, 449, 450,  
D9/452-454, 516, 523, 524, 528-531,  
D9/541-544, 549-551, 556, 558-560,  
D9/563, 565, 566, 571-575, 682, 686,  
D9/687, 693, 694, 715, 719, 526;  
D23/211, 225; D7/300, 300.1, 316, 317,  
D7/598

CPC ..... B65D 45/28; B65D 2501/0081; B65D  
21/0237; B65D 2501/0009; B65D 1/00;  
B65D 1/02; B65D 1/12; B65D 1/18;  
B65D 1/20; B65D 1/0223

See application file for complete search history.

(56) **References Cited**

**U.S. PATENT DOCUMENTS**

D101,590 S \* 10/1936 Patterson ..... D19/93  
D192,190 S \* 2/1962 Wheeler ..... D9/569

**FOREIGN PATENT DOCUMENTS**

GB 6106869 \* 11/2020

\* cited by examiner

*Primary Examiner* — Omeed Agilee

(74) *Attorney, Agent, or Firm* — Sterne, Kessler,  
Goldstein & Fox P.L.L.C.

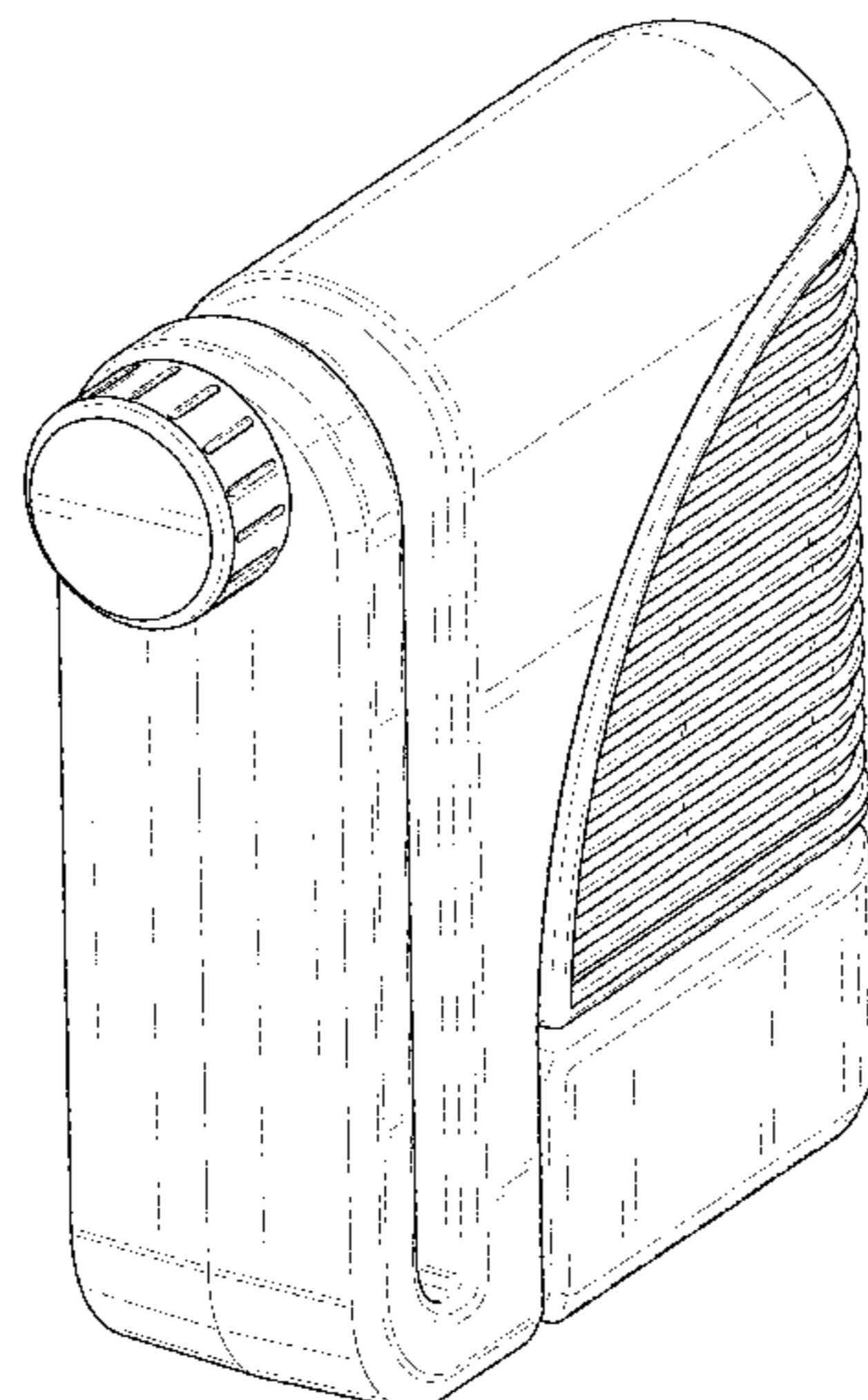
(57) **CLAIM**

The ornamental design for a container, as shown and described.

**DESCRIPTION**

FIG. 1 is a top perspective view of a container showing the claimed design;  
FIG. 2 is a bottom perspective view thereof;  
FIG. 3 is a front view thereof;  
FIG. 4 is a rear view thereof;  
FIG. 5 is a left side view thereof;  
FIG. 6 is a right side view thereof;  
FIG. 7 is a top view thereof; and,  
FIG. 8 is a bottom view thereof.

**1 Claim, 8 Drawing Sheets**



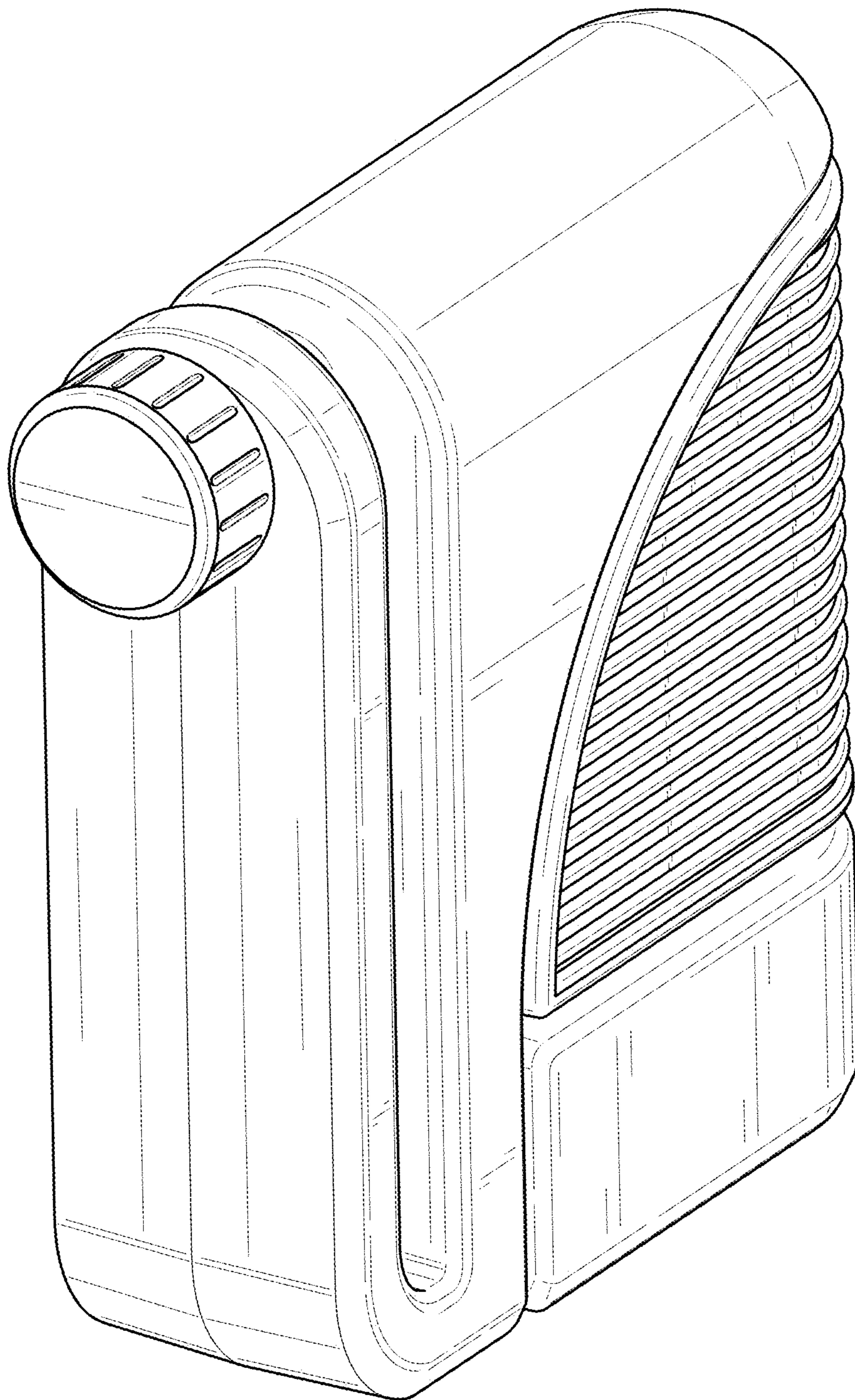


FIG. 1

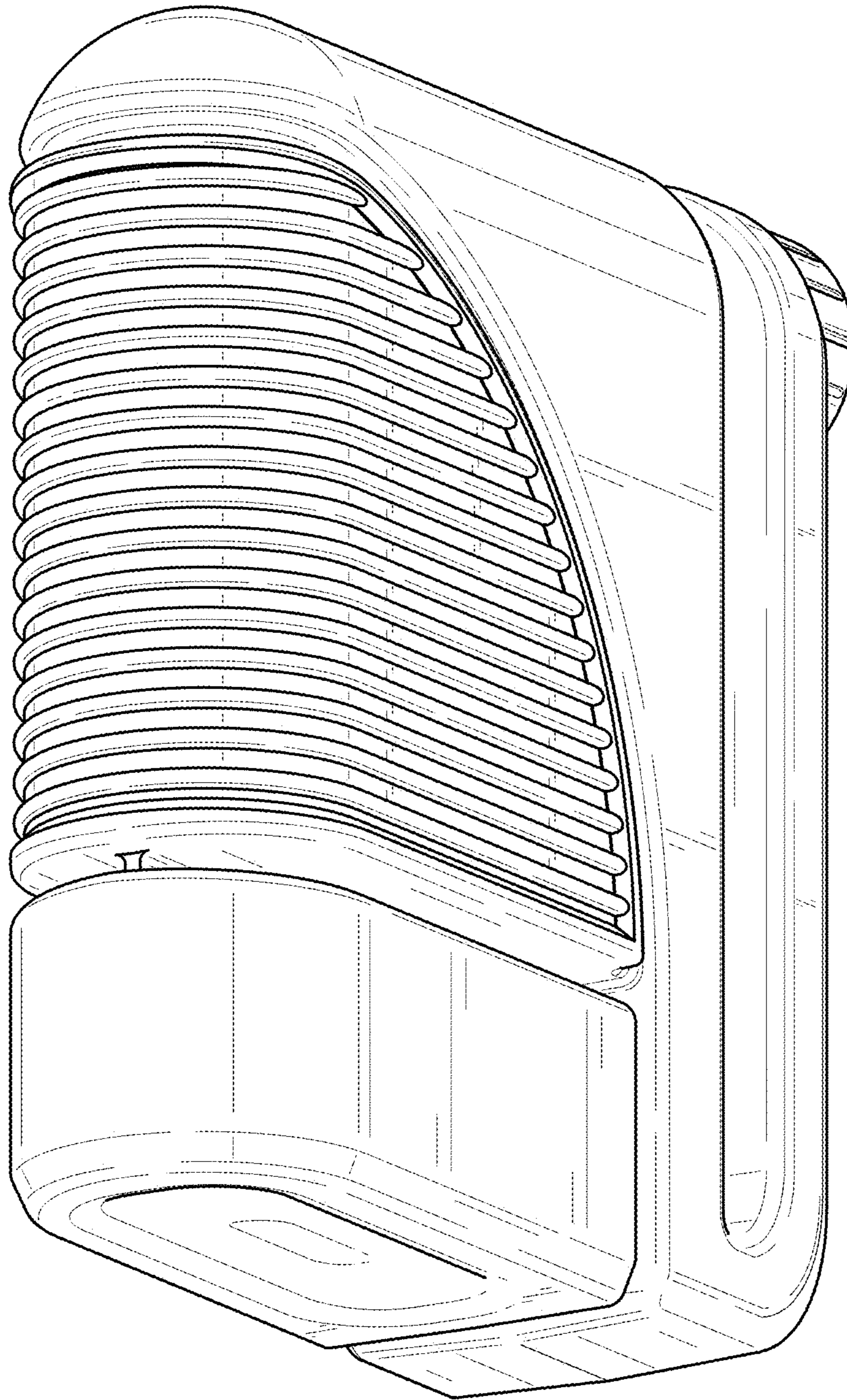


FIG. 2

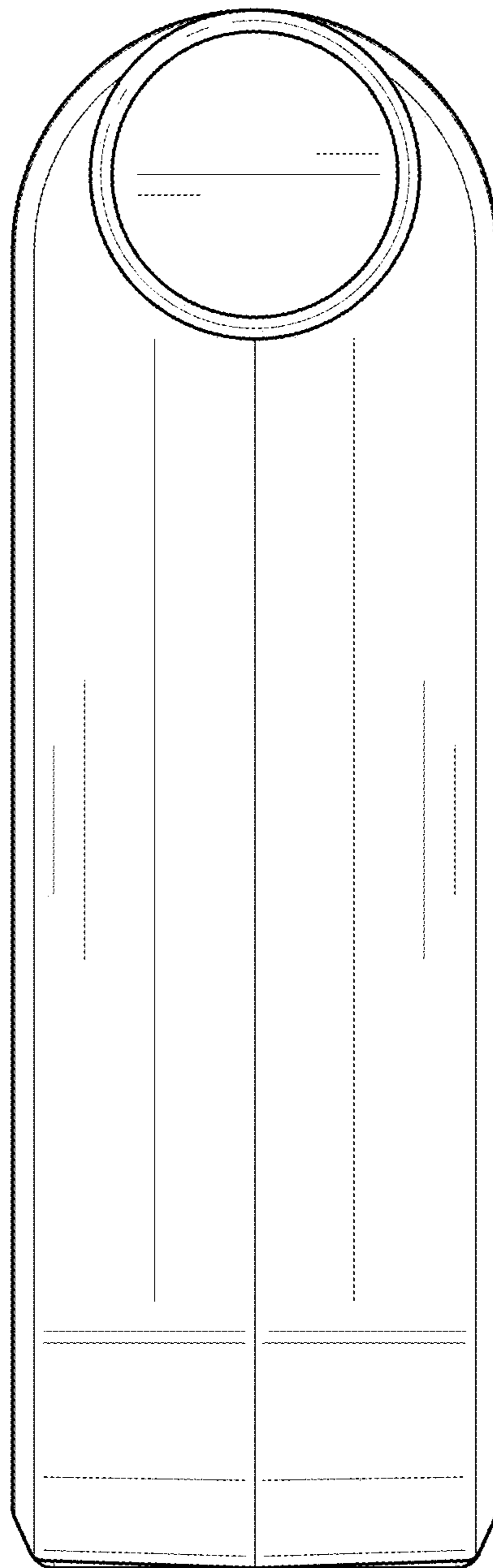


FIG. 3

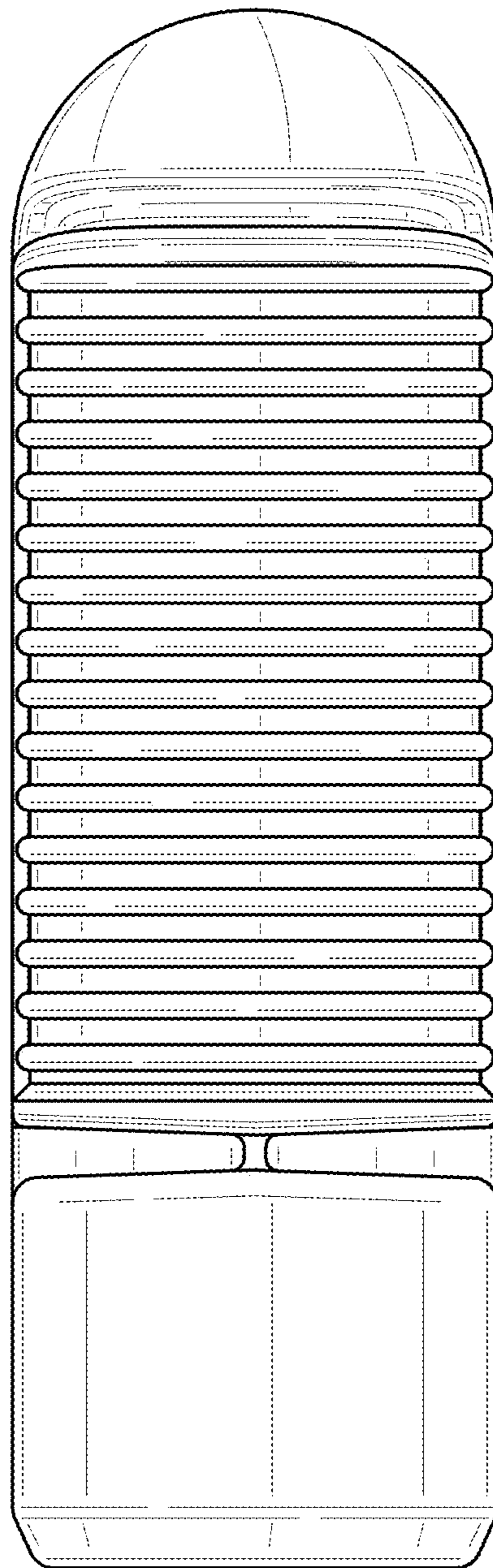


FIG. 4

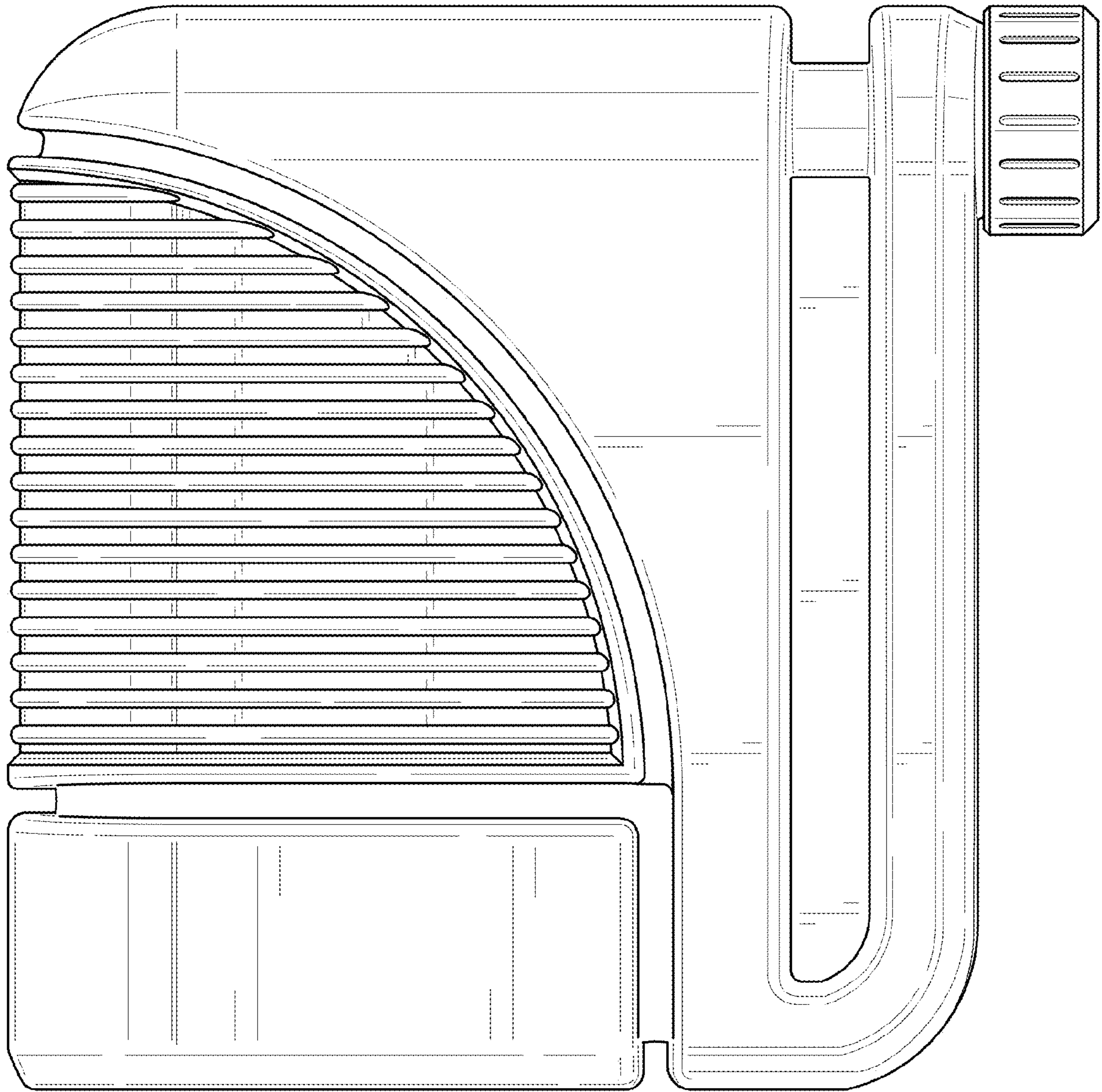


FIG. 5

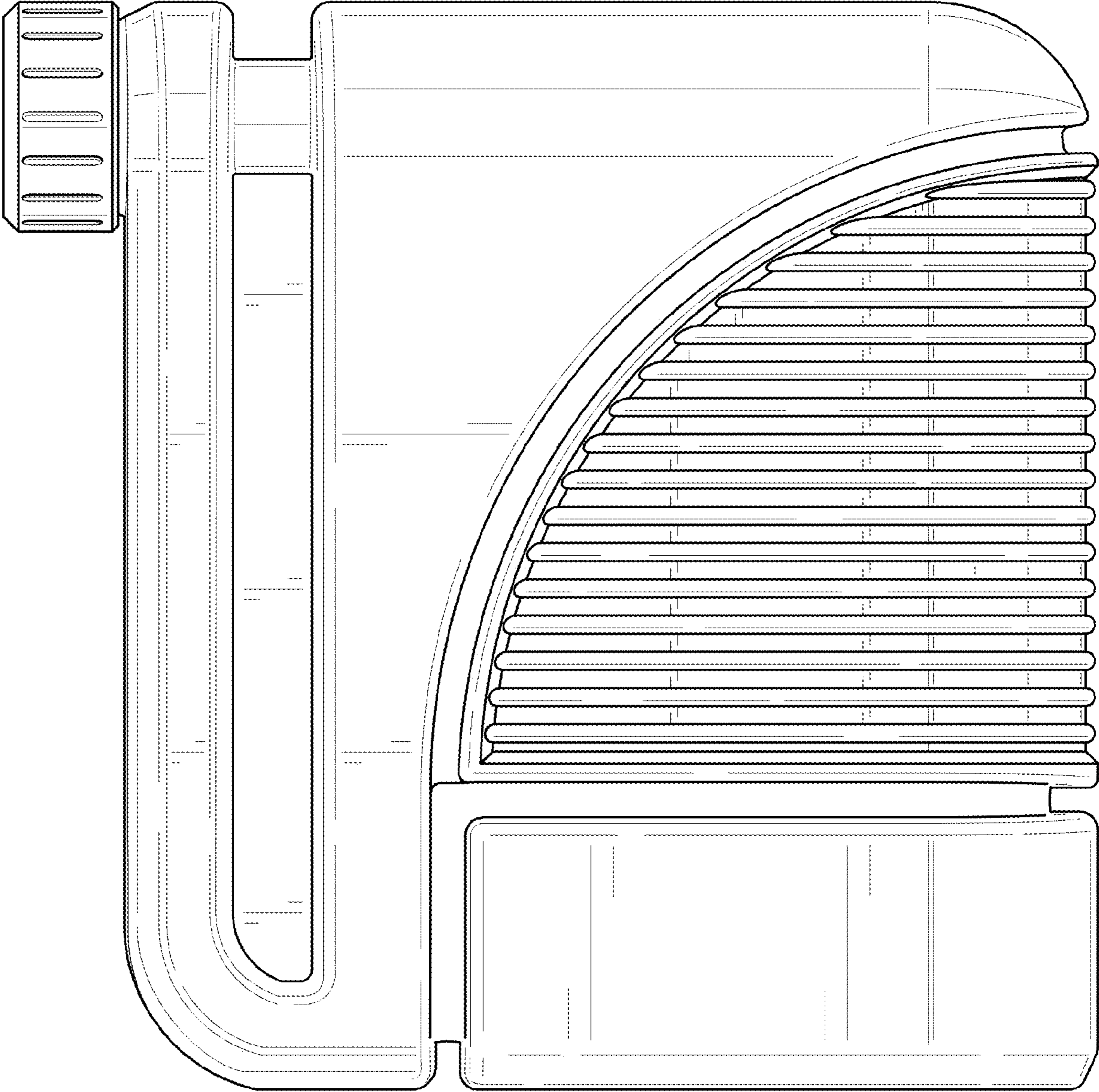


FIG. 6

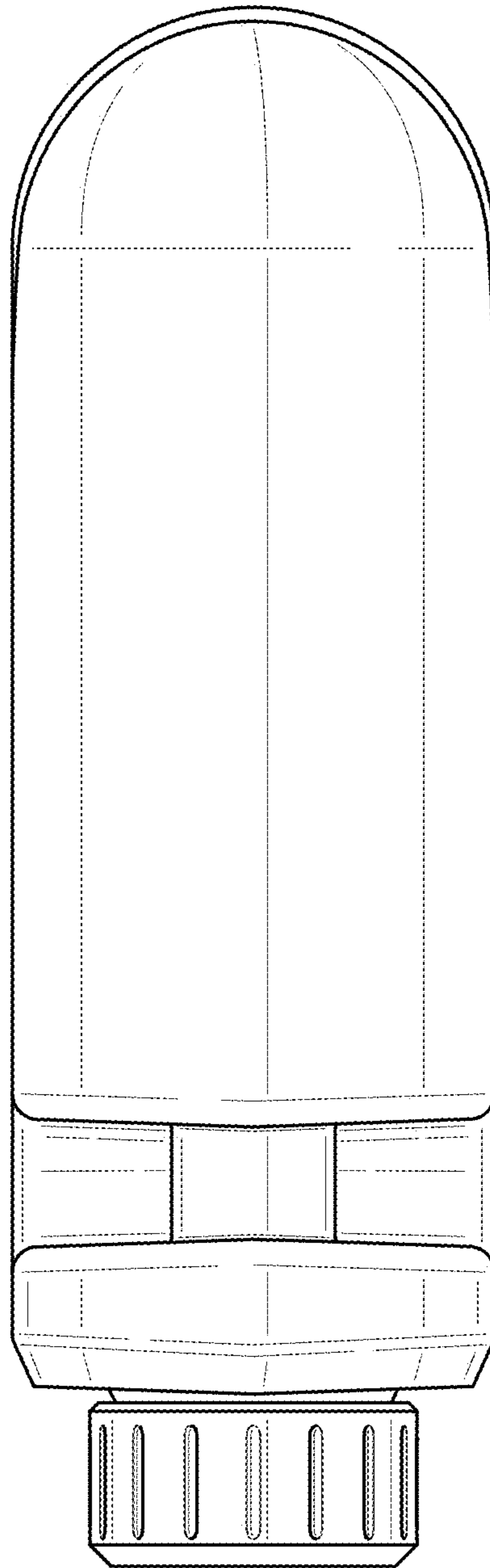


FIG. 7



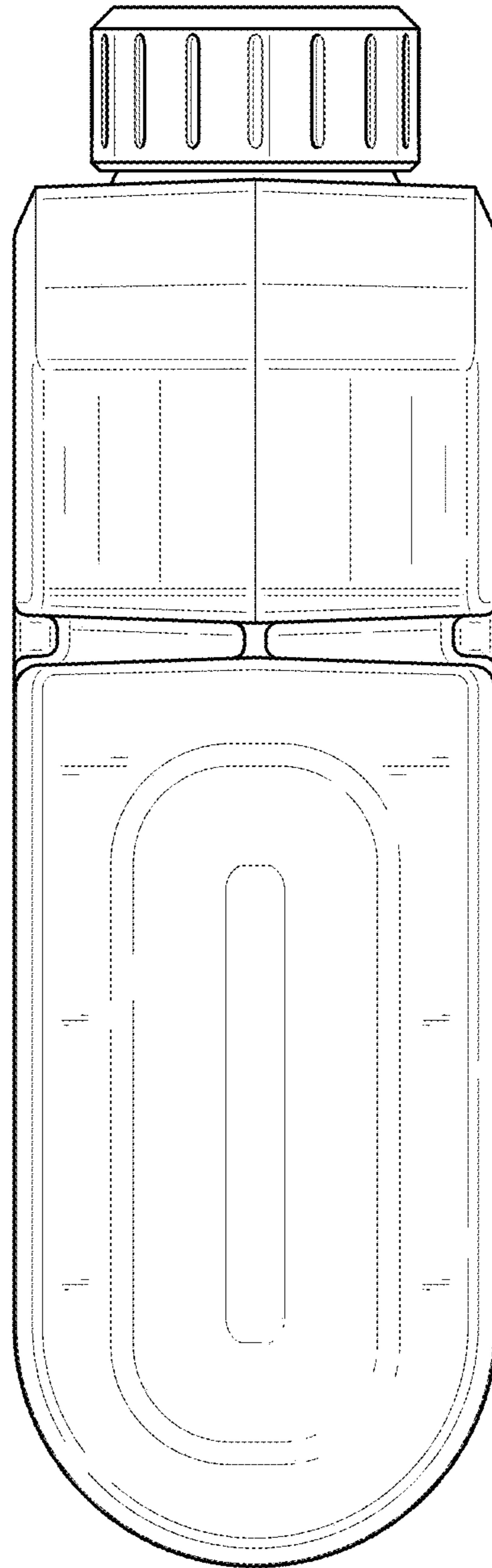


FIG. 8