



US00D969609S

(12) **United States Design Patent**
Haddad Marchon

(10) **Patent No.:** **US D969,609 S**

(45) **Date of Patent:** **** Nov. 15, 2022**

(54) **BOTTLE**

B65D 81/00; B65D 2501/00; B65D
2501/0009; B65D 2501/0018; B65D
2501/0036

(71) Applicant: **GUERLAIN**, Paris (FR)

See application file for complete search history.

(72) Inventor: **Sana Haddad Marchon**,
Levallois-Perret (FR)

(56) **References Cited**

(73) Assignee: **GUERLAIN**, Paris (FR)

U.S. PATENT DOCUMENTS

(**) Term: **15 Years**

D391,858 S *	3/1998	Dolan	D9/550
D636,268 S *	4/2011	Gautier	D9/551
D814,307 S *	4/2018	de Baschmakoff	B65D 1/00 D9/574
D852,638 S *	7/2019	Ericson	D9/686
D852,639 S *	7/2019	Spitzer	D9/694
D853,242 S *	7/2019	Colombo	D9/454
D935,889 S *	11/2021	Bodum	D9/563

(21) Appl. No.: **35/511,905**

(22) Filed: **May 14, 2021**

(80) **Hague Agreement Data**

Int. Filing Date: **May 14, 2021**

Int. Reg. No.: **DM/214223**

Int. Reg. Date: **May 14, 2021**

Int. Reg. Pub. Date: **May 28, 2021**

OTHER PUBLICATIONS

Square Bottle, publication 1880.

* cited by examiner

Primary Examiner — Michael A. Pratt

(74) *Attorney, Agent, or Firm* — IpHorgan Ltd.

(30) **Foreign Application Priority Data**

Nov. 17, 2020 (EM) 008270516-0001

(51) **LOC (13) Cl.** **09-01**

(52) **U.S. Cl.**

USPC **D9/503**

(58) **Field of Classification Search**

USPC D9/501-506, 516-575, 763-783;
D7/300-322, 396.2, 509-511, 523, 589,
D7/598, 612, 615, 619.1

CPC B65D 1/00; B65D 1/02; B65D 1/0223;
B65D 1/0261; B65D 1/40; B65D 1/42;
B65D 1/44; B65D 23/00; B65D 23/102;

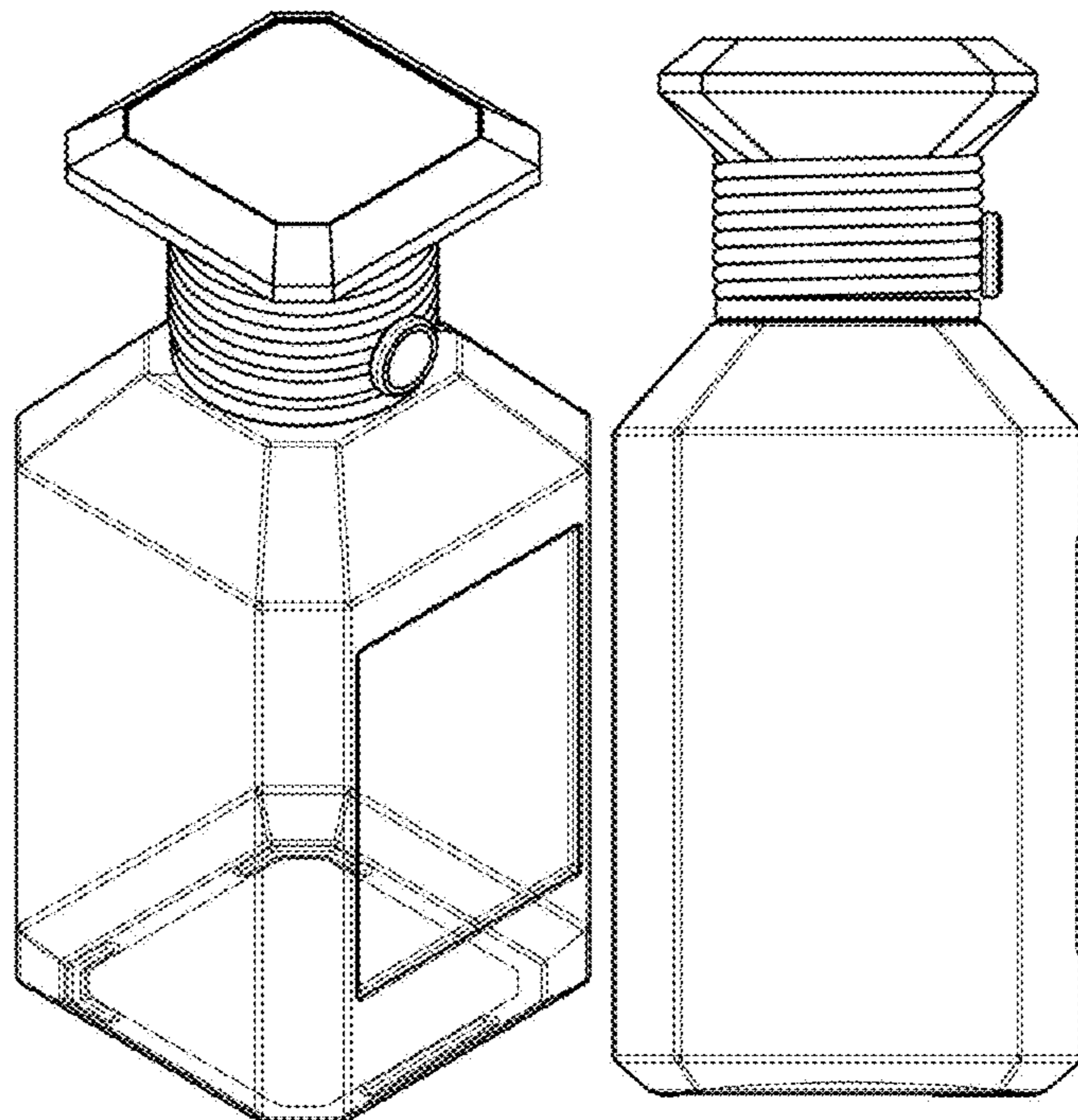
(57) **CLAIM**

The ornamental design for a bottle, as shown and described.

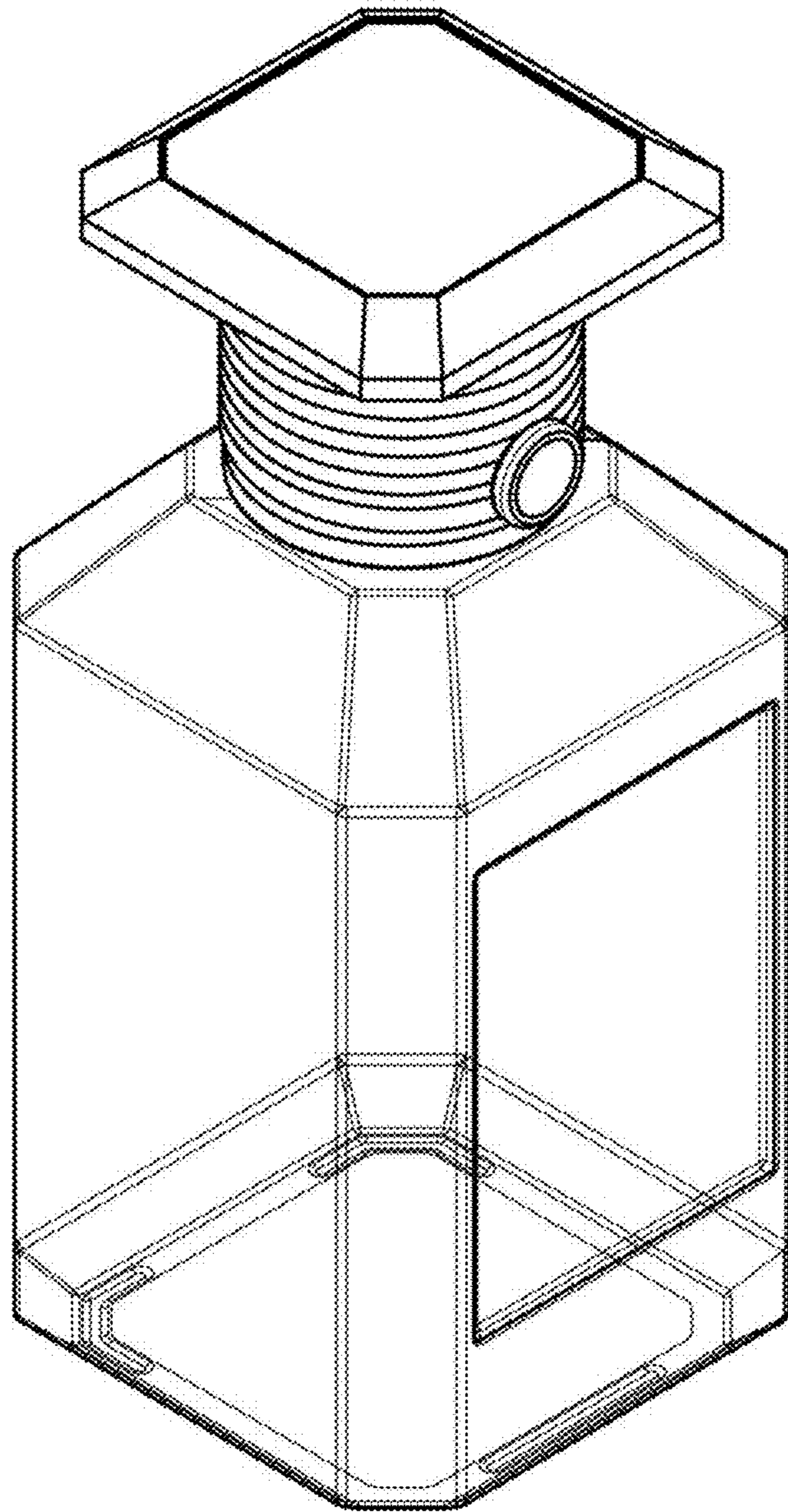
DESCRIPTION

- 1. Bottle
- 1.1 : Perspective
- 1.2 : Front
- 1.3 : Back
- 1.4 : Right
- 1.5 : Left
- 1.6 : Top

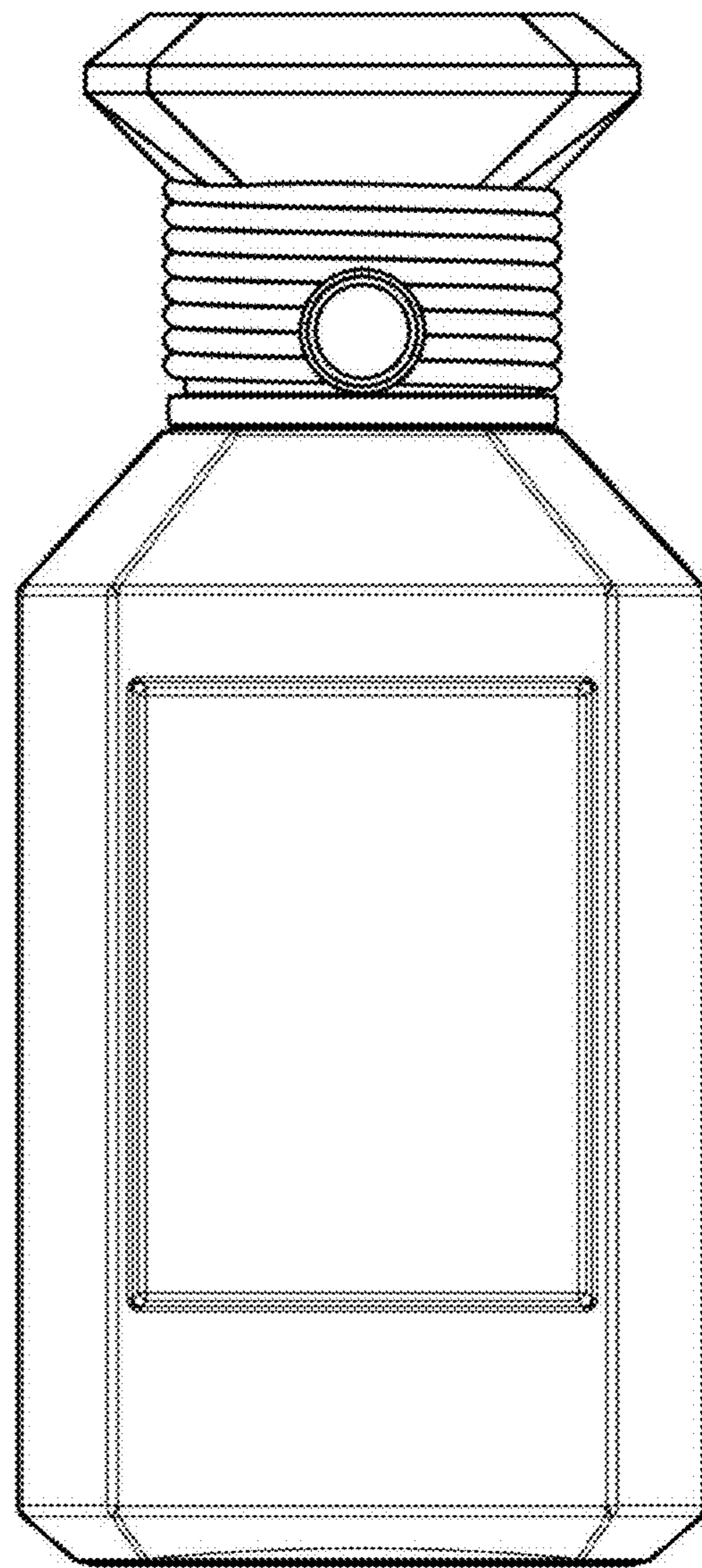
1 Claim, 6 Drawing Sheets



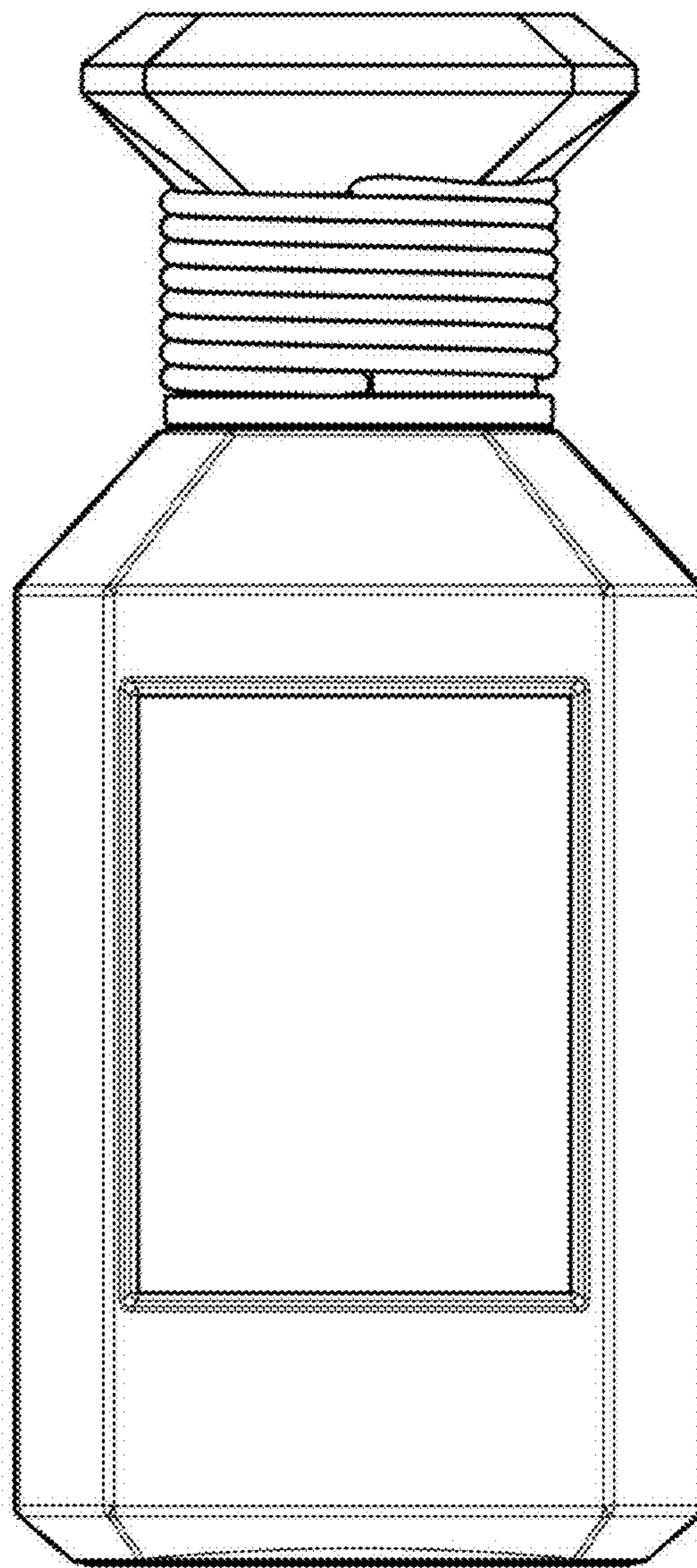
1.1



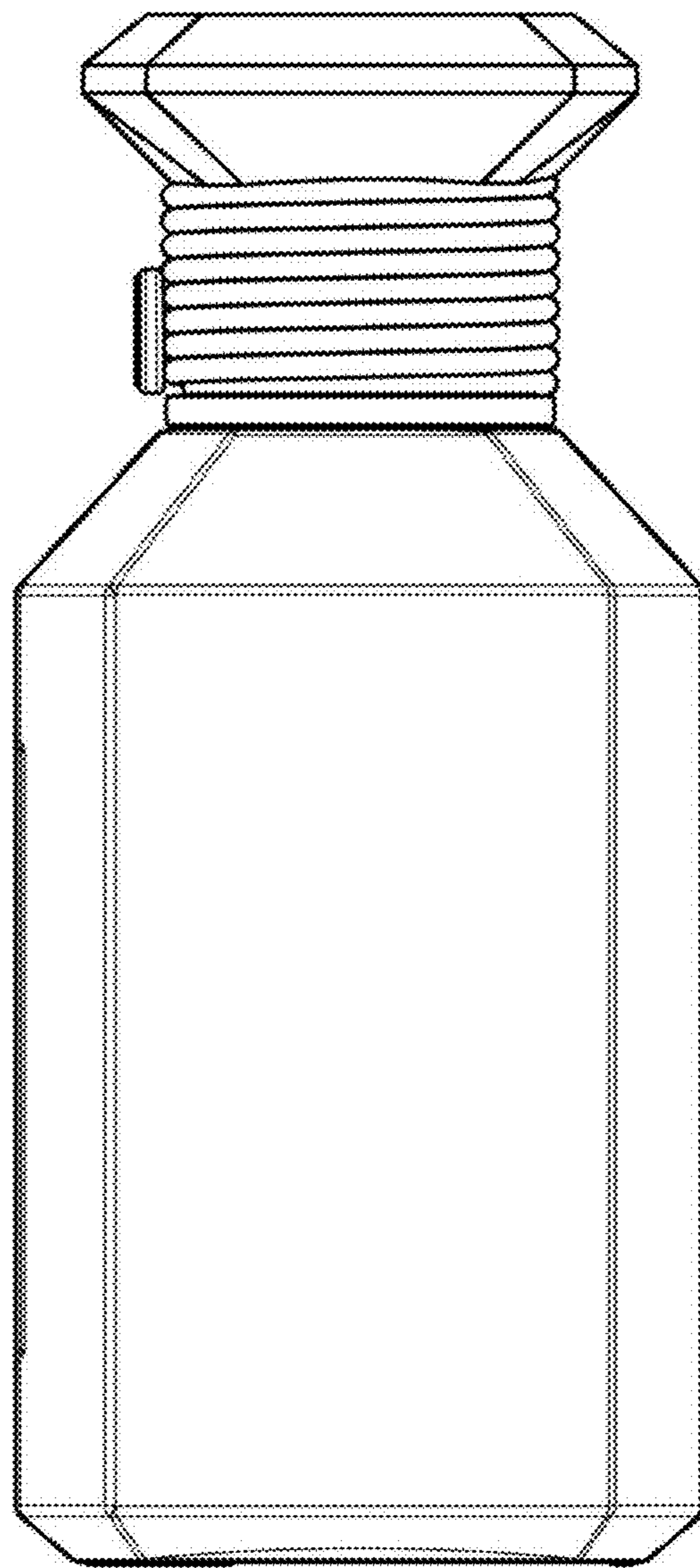
1.2



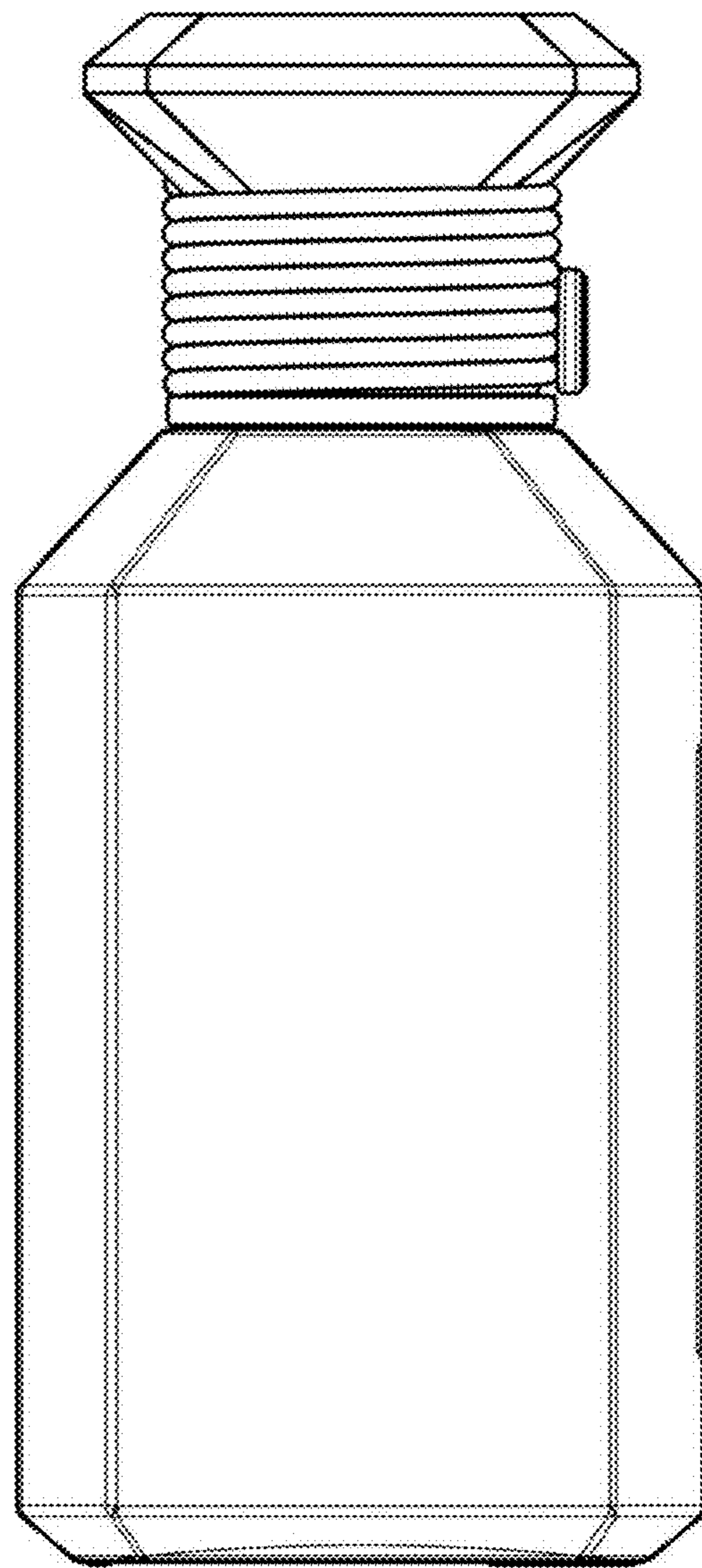
1.3



1.4



1.5



1.6

