



US00D969608S

(12) **United States Design Patent** (10) **Patent No.:** **US D969,608 S**  
**Okonma** (45) **Date of Patent:** **\*\* Nov. 15, 2022**

(54) **NAIL POLISH CAP**

(71) Applicant: **Flower Boy Trademarks, LLC**, Culver City, CA (US)

(72) Inventor: **Tyler Okonma**, Culver City, CA (US)

(73) Assignee: **Flower Boy Trademarks, LLC**, Culver City, CA (US)

(\*\*) Term: **15 Years**

(21) Appl. No.: **29/780,294**

(22) Filed: **Apr. 23, 2021**

(51) **LOC (13) Cl.** ..... **09-07**

(52) **U.S. Cl.**

USPC ..... **D9/443**; D9/661; D9/441; D9/436

(58) **Field of Classification Search**

USPC ..... D9/434-436, 439, 441, 447, 451, 499, D9/600, 601, 655, 661, 662, 443, 449, D9/718, 719, 723, 727; D11/157, 158; D7/392.1, 396.2, 599, 604; D3/270, D3/271.1, 271.8; D28/4, 6, 79, 87, 7, 56, D28/57, 59, 62, 99; D4/116

CPC ..... B65D 67/00; B65D 81/36; B65D 81/365; B65D 81/366; B65D 81/368; B65D 41/00; B65D 41/02; B65D 51/245; A63H 33/16

See application file for complete search history.

(56) **References Cited**

**U.S. PATENT DOCUMENTS**

D16,992 S \* 11/1886 Wirz ..... D9/441  
D24,577 S \* 8/1895 Gault ..... D9/441  
D128,366 S \* 7/1941 Derham ..... D9/451  
D130,837 S \* 12/1941 Grunberg ..... D9/441  
2,402,259 A \* 6/1946 Saffir ..... A61C 13/08  
433/197  
D149,065 S \* 3/1948 Herbst ..... D9/441  
3,481,463 A \* 12/1969 Pavlow ..... B65D 67/00  
428/33  
D232,224 S \* 7/1974 Dobyys ..... D6/528

(Continued)

**OTHER PUBLICATIONS**

Golf le Fleur. Jade nail polish. Publication date unavailable. Visited Jul. 25, 2022. <https://golffleur.com/products/jade> (Year: 0).\*

(Continued)

*Primary Examiner* — Darcey E Gottschalk

*Assistant Examiner* — Vanessa M. Pursley

(74) *Attorney, Agent, or Firm* — Fross Zelnick Lehrman & Zissu, P.C.; Lawrence E. Apolzon, Esq.

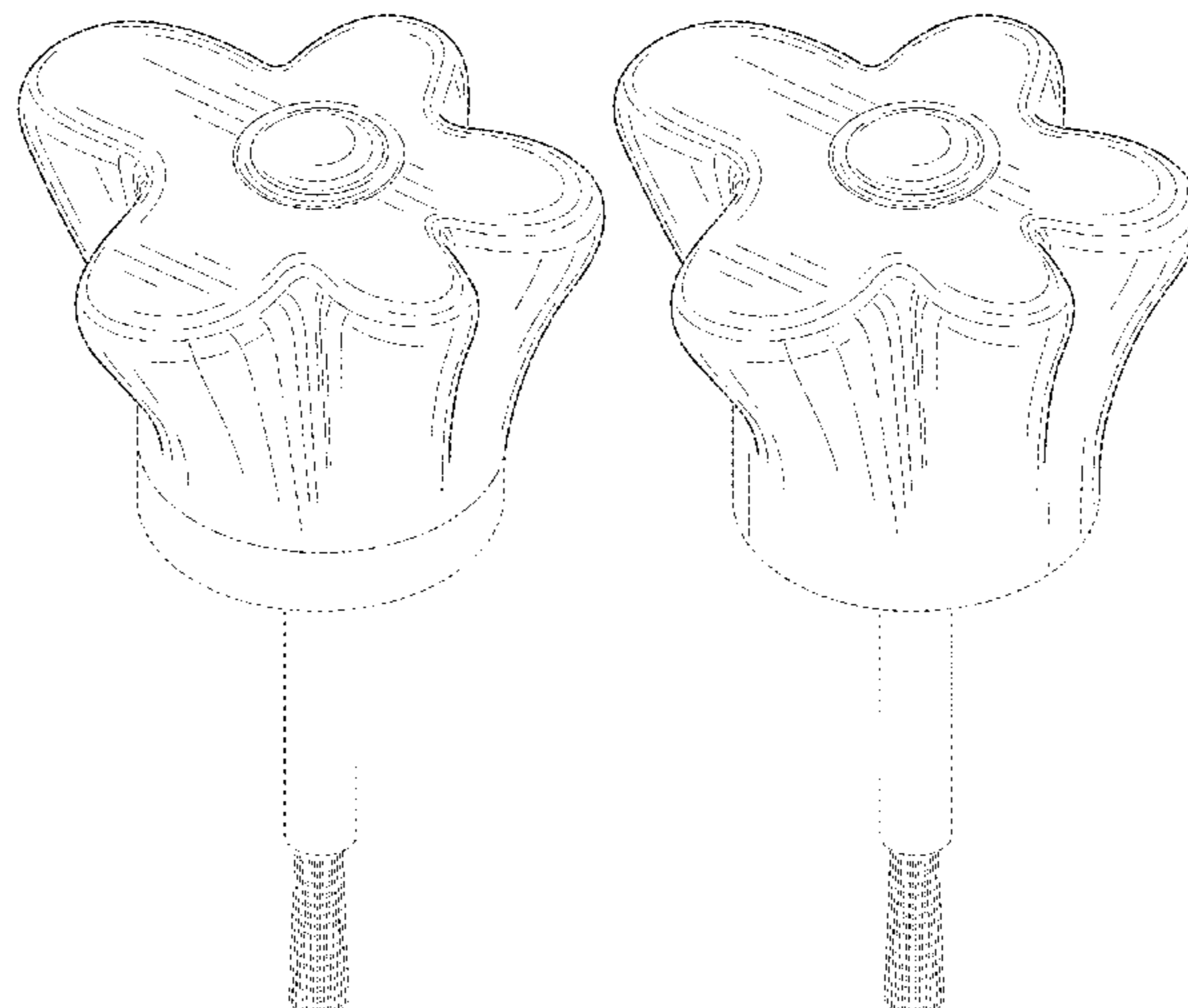
(57) **CLAIM**

The ornamental design for a nail polish cap, as shown and described.

**DESCRIPTION**

FIG. 1 is a top perspective view of nail polish cap showing my new design with the neck portion and brush disclaimed; FIG. 2 is a front view thereof; FIG. 3 is a back view thereof; FIG. 4 is a left side view thereof; FIG. 5 is right side view thereof; FIG. 6 is a top view thereof; FIG. 7 is a bottom view thereof; FIG. 8 is another top perspective view thereof; FIG. 9 is a top perspective view of the embodiment in FIG. 1 in the environment of a bottle; FIG. 10 is a top perspective view of a nail polish cap showing my new design with the brush disclaimed; FIG. 11 is a front view thereof; FIG. 12 is a back view thereof; FIG. 13 is a left side view thereof; FIG. 14 is a right side view thereof; FIG. 15 is a top view thereof; FIG. 16 is a bottom view thereof; FIG. 17 is another top perspective view thereof; and, FIG. 18 is a top perspective view of the embodiment in FIG. 10 in the environment of a bottle. In the drawings, the evenly-spaced broken lines show environment that forms no part of the claim; in FIGS. 1-9, the dash-dot-dash lines represent boundaries of the claimed design and form no part thereof.

**1 Claim, 18 Drawing Sheets**



(56)

References Cited

U.S. PATENT DOCUMENTS

D303,213	S	*	9/1989	Mansau	.....	D9/544
D310,030	S	*	8/1990	Mansau	.....	D9/439
D318,232	S	*	7/1991	Mansau	.....	D9/439
D337,266	S	*	7/1993	Martine	.....	D9/451
D423,312	S	*	4/2000	Hames	.....	D8/40
D427,074	S	*	6/2000	Harkness	.....	D9/520
D445,322	S	*	7/2001	Hames	.....	D8/40
D448,512	S	*	9/2001	Plyphetch	.....	D26/94
D499,334	S	*	12/2004	Murray, Jr.	.....	D9/673
D506,673	S	*	6/2005	Grant	.....	D9/451
D508,403	S	*	8/2005	Grant	.....	D9/451
D548,076	S	*	8/2007	Matsumura	.....	D9/435
D595,591	S	*	7/2009	Andiano	.....	D9/546
D685,267	S	*	7/2013	Stout	.....	D24/224
D685,638	S	*	7/2013	DeMarco	.....	D9/504
D705,543	S	*	5/2014	Treeby	.....	D4/127
D721,962	S	*	2/2015	Skaggs	.....	D9/451
D763,073	S	*	8/2016	Romero Salido	.....	D9/451
D830,063	S	*	10/2018	Stephens	.....	D30/158
D834,747	S	*	11/2018	Wu	.....	D28/7
D838,168	S	*	1/2019	Glanzer	.....	D9/441
D840,812	S	*	2/2019	Holmes	.....	D9/443
D884,474	S	*	5/2020	Pinard	.....	D9/452
D926,034	S	*	7/2021	Bravman	.....	D9/452
D927,219	S	*	8/2021	Lin	.....	D4/116
D927,220	S	*	8/2021	Lin	.....	D4/116

OTHER PUBLICATIONS

Complex. Tyler, The Creator’s Golf le Fleur\* Launches New Nail Polishes. Published Jun. 28, 2022 by Trace William Cowen. Visited

Jul. 25, 2022. <https://www.complex.com/style/tyler-the-creator-golf-le-fleur-new-nail-polishes> (Year: 2022).\*

Youtube. Golf Le Fleur Nail Polish Unboxing—Golf le Fleur from Tyler, The Creator. Published Jan. 2, 2022 by “Let’s Go Liz.” Visited Jul. 25, 2022. <https://www.youtube.com/watch?v=JwmXAXOHUS0> (Year: 2022).\*

Reddit. My partner got me the Golf le Fleur polishes for xmas, and the formula is super nice! Published Jan. 2022 by “skullmilione.” Visited Aug. 11, 2022. [https://www.reddit.com/r/RedditLaqueristas/comments/ryl85t/my\\_partner\\_got\\_me\\_the\\_golf\\_le\\_fleur\\_polishes\\_for/](https://www.reddit.com/r/RedditLaqueristas/comments/ryl85t/my_partner_got_me_the_golf_le_fleur_polishes_for/) (Year: 2022).\*

Hype Beast. Tyler, the Creator’s Golf le Fleur\* Launches It’s Own Nail Polish Collection. Published Dec. 14, 2021 by Sammy Su. Visited Aug. 11, 2022. <https://hypebeast.com/2021/12/tyler-the-creator-golf-le-fleur-nail-polish-collection-release-info> (Year: 2021).\*

Hype Bae. Tyler, The Creator’s Golf le Fleur\* Drops Nail Polish Collection. Published Dec. 14, 2021 by Nathan Lau. Visited Aug. 11, 2022. <https://hypebae.com/2021/12/tyler-the-creator-golf-le-fleur-nail-polish-collection-release-where-to-buy> (Year: 2021).\*

Trademark—Flower Boy Trademarks, LLC—U.S. Registration No. 5496162,—published at least one year earlier than Apr. 23, 2021.

Trademark—Flower Boy Trademarks, LLC—U.S. Appl. No. 87/346,269 (now abandoned),—published at least one year earlier than Apr. 23, 2021.

Flower Logos—Published at least one year earlier than Apr. 23, 2021.

Flower Boy Trademarks, LLC—Design U.S. Appl. No. 29/776,929, filed Apr. 1, 2021.

\* cited by examiner

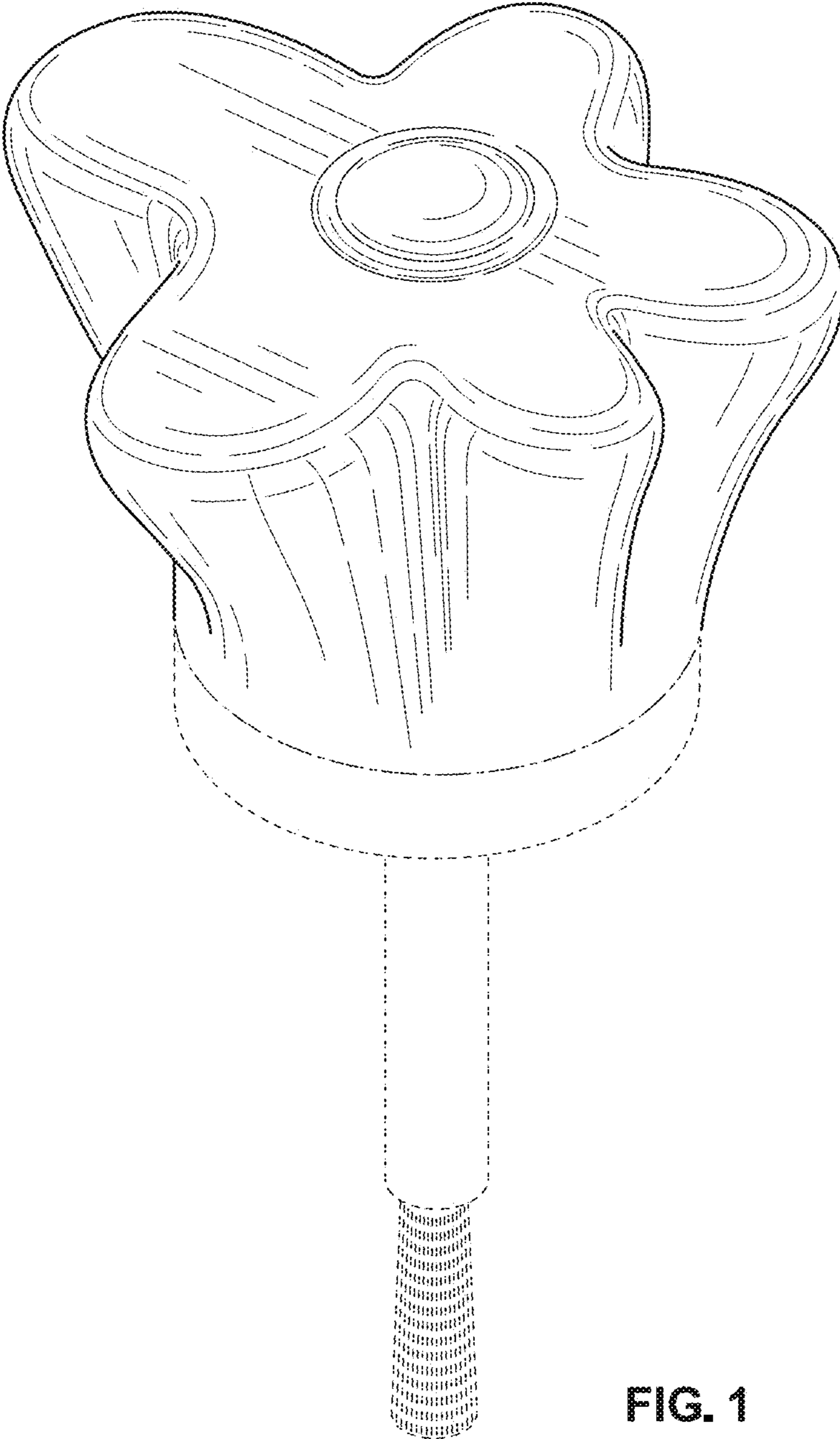


FIG. 1

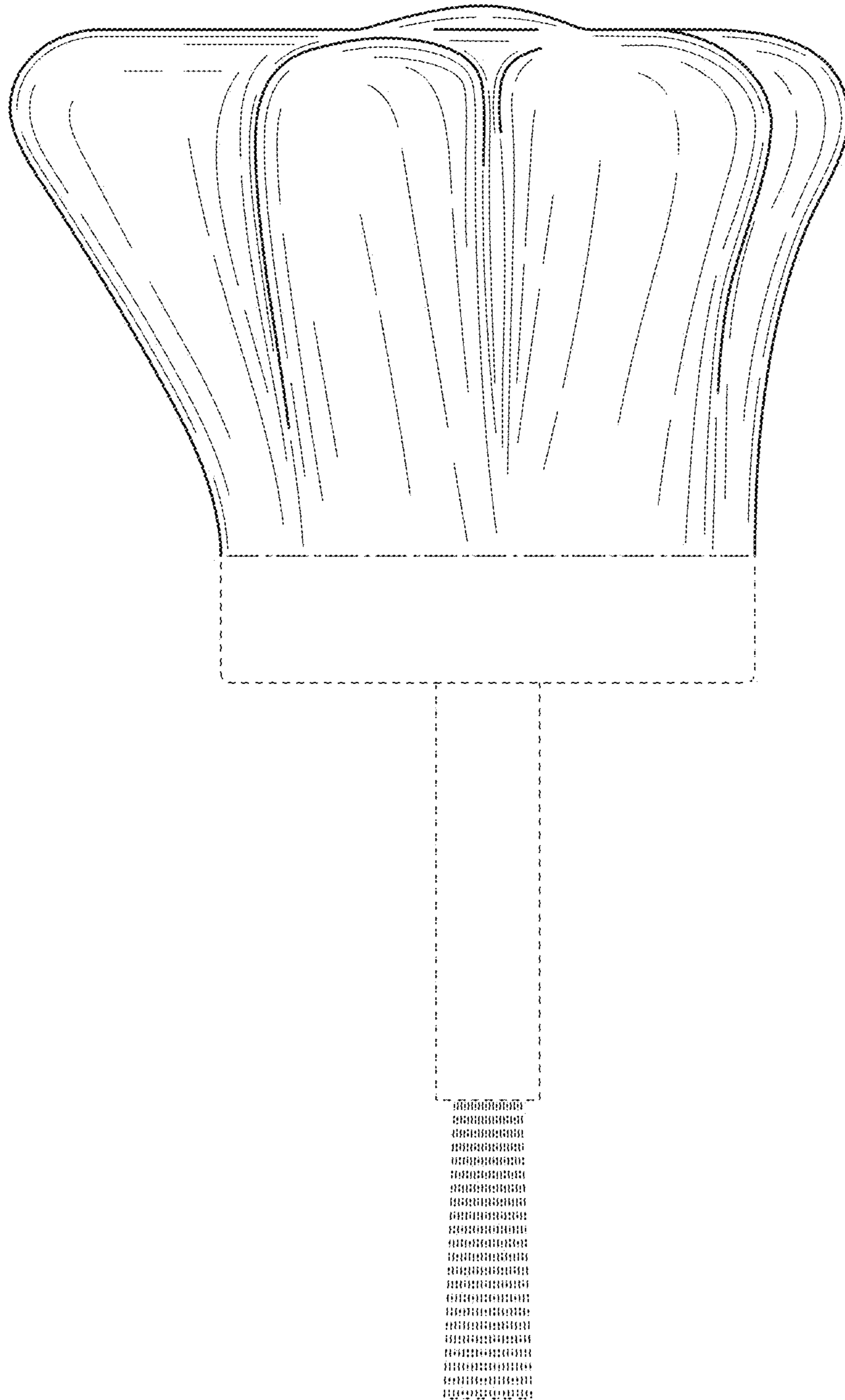


FIG. 2

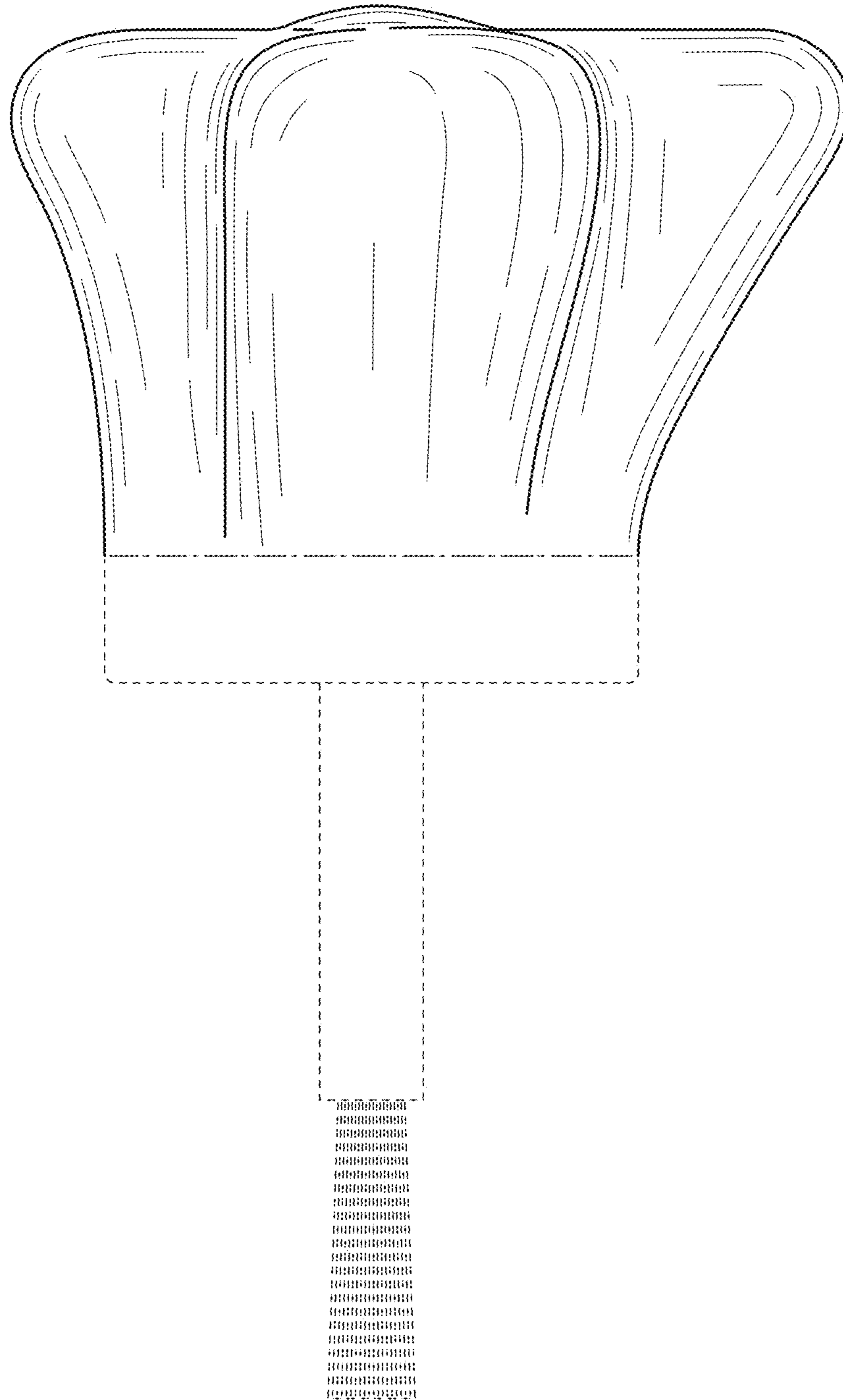


FIG. 3

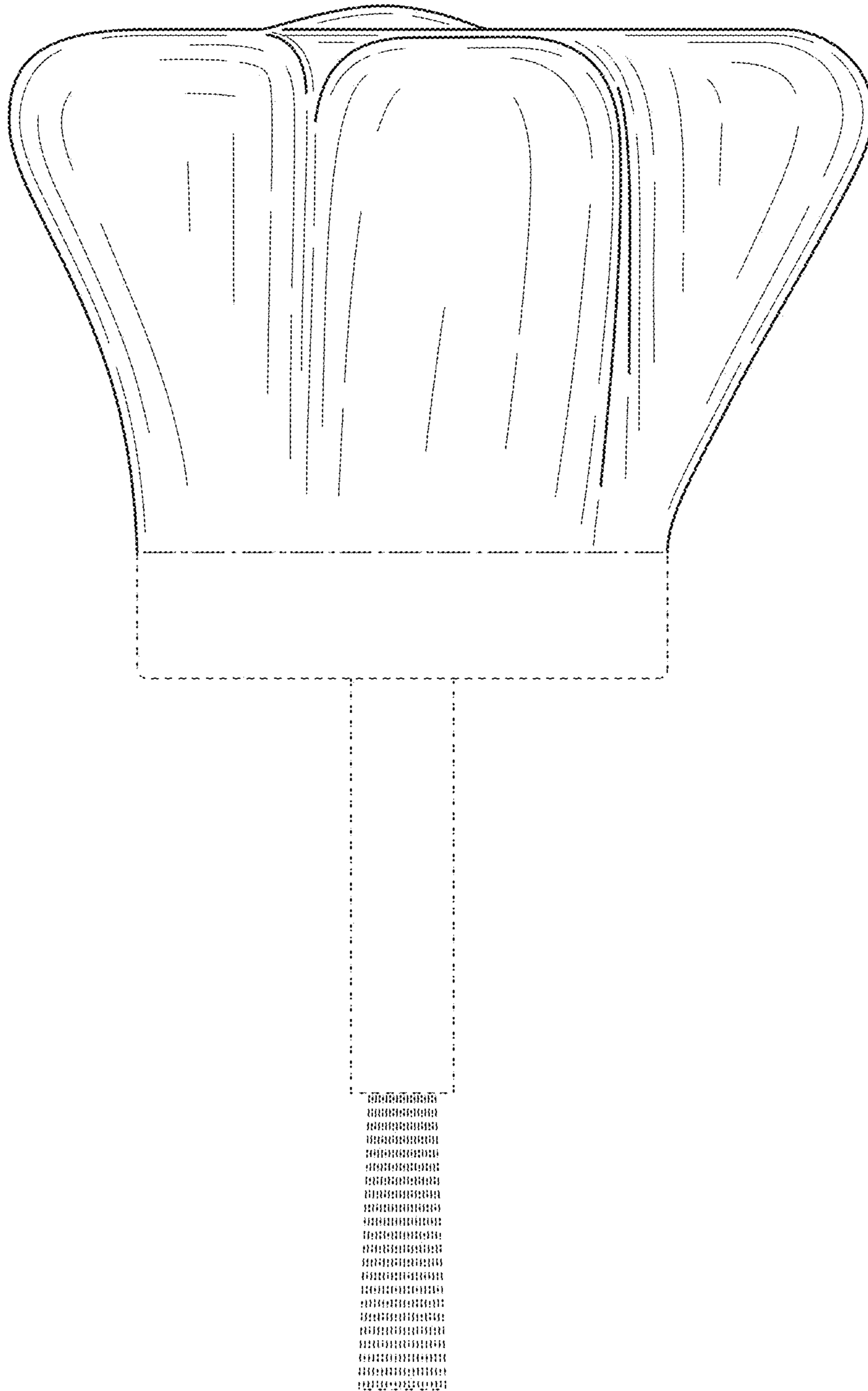


FIG. 4

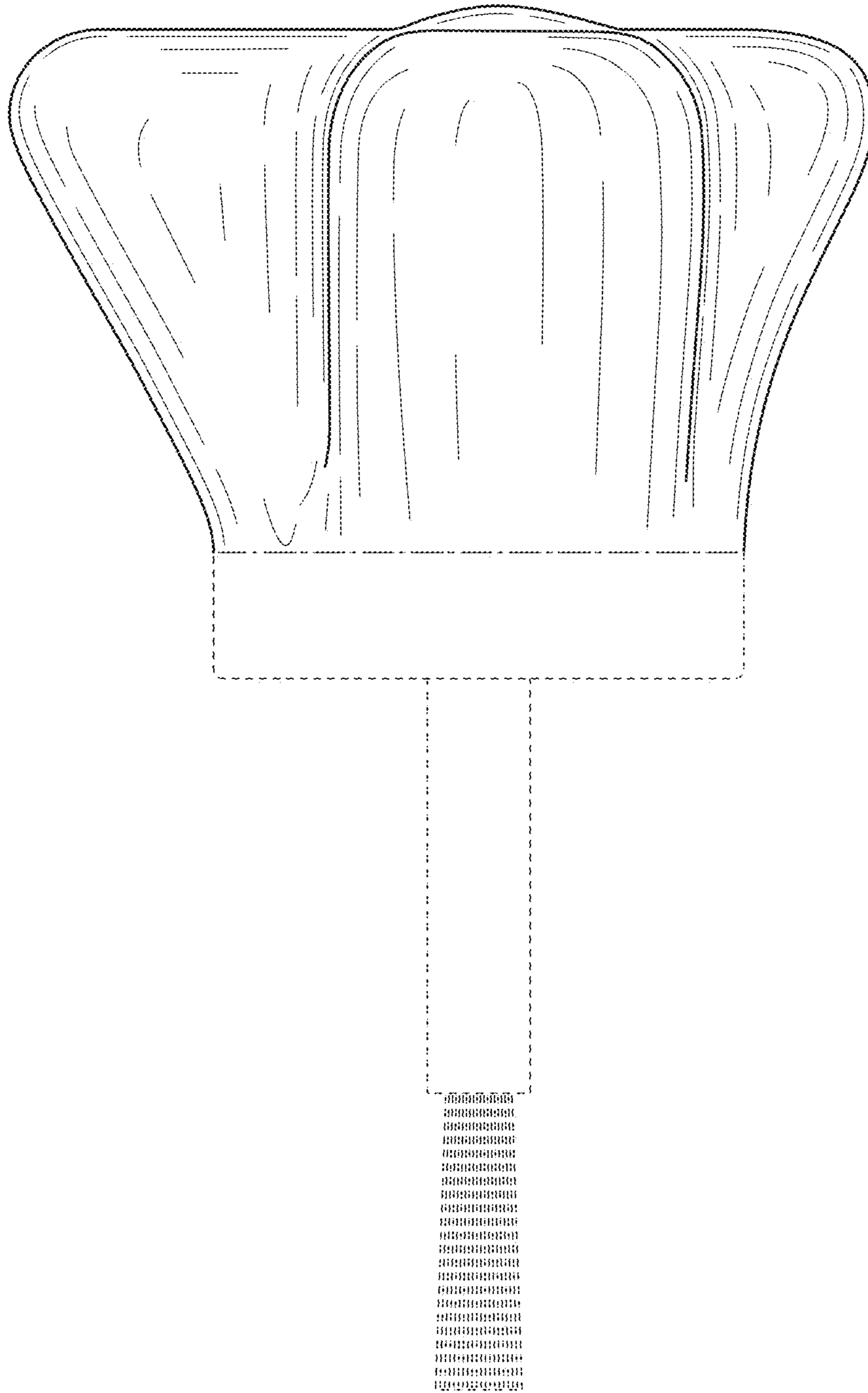


FIG. 5

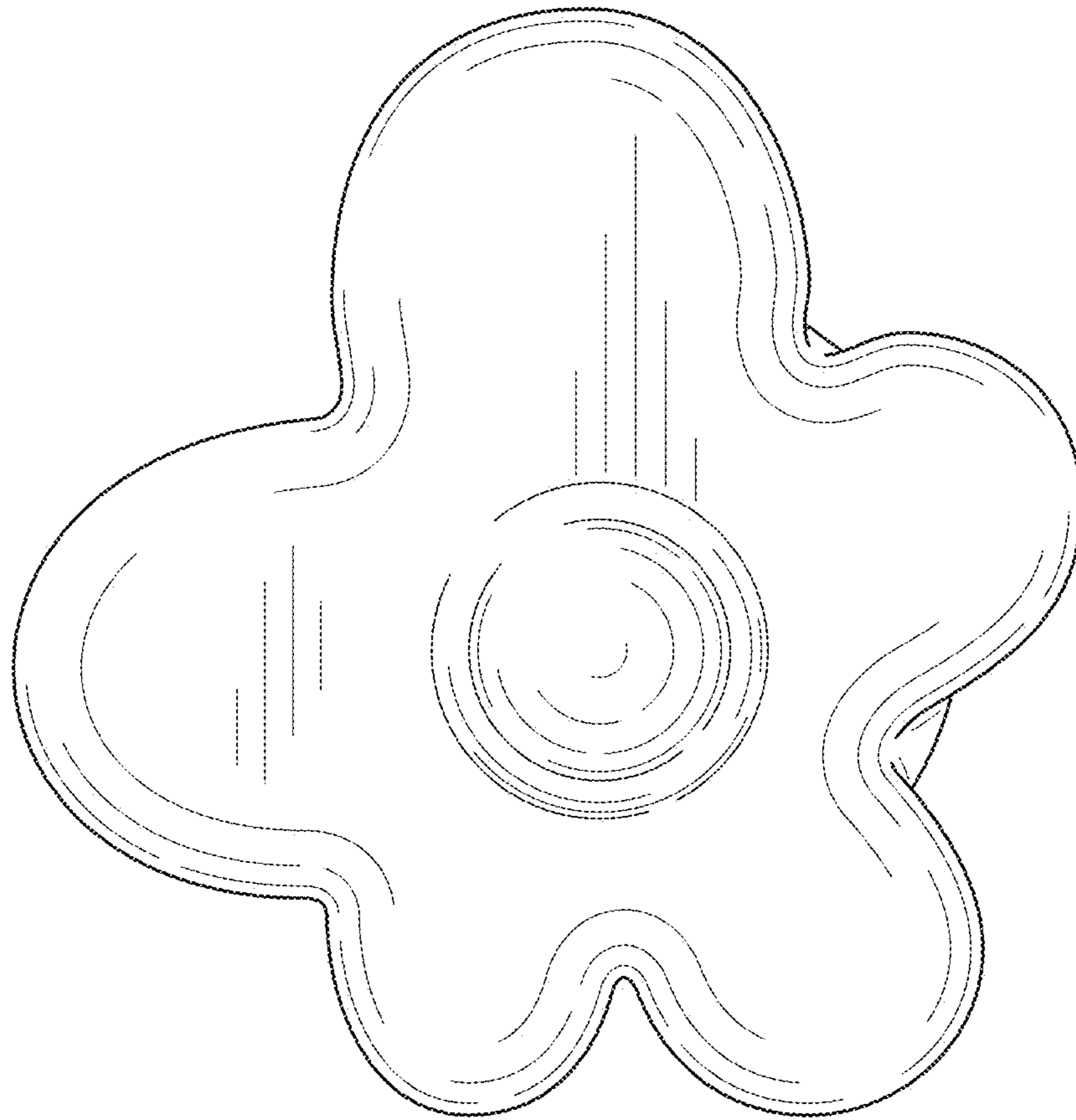


FIG. 6



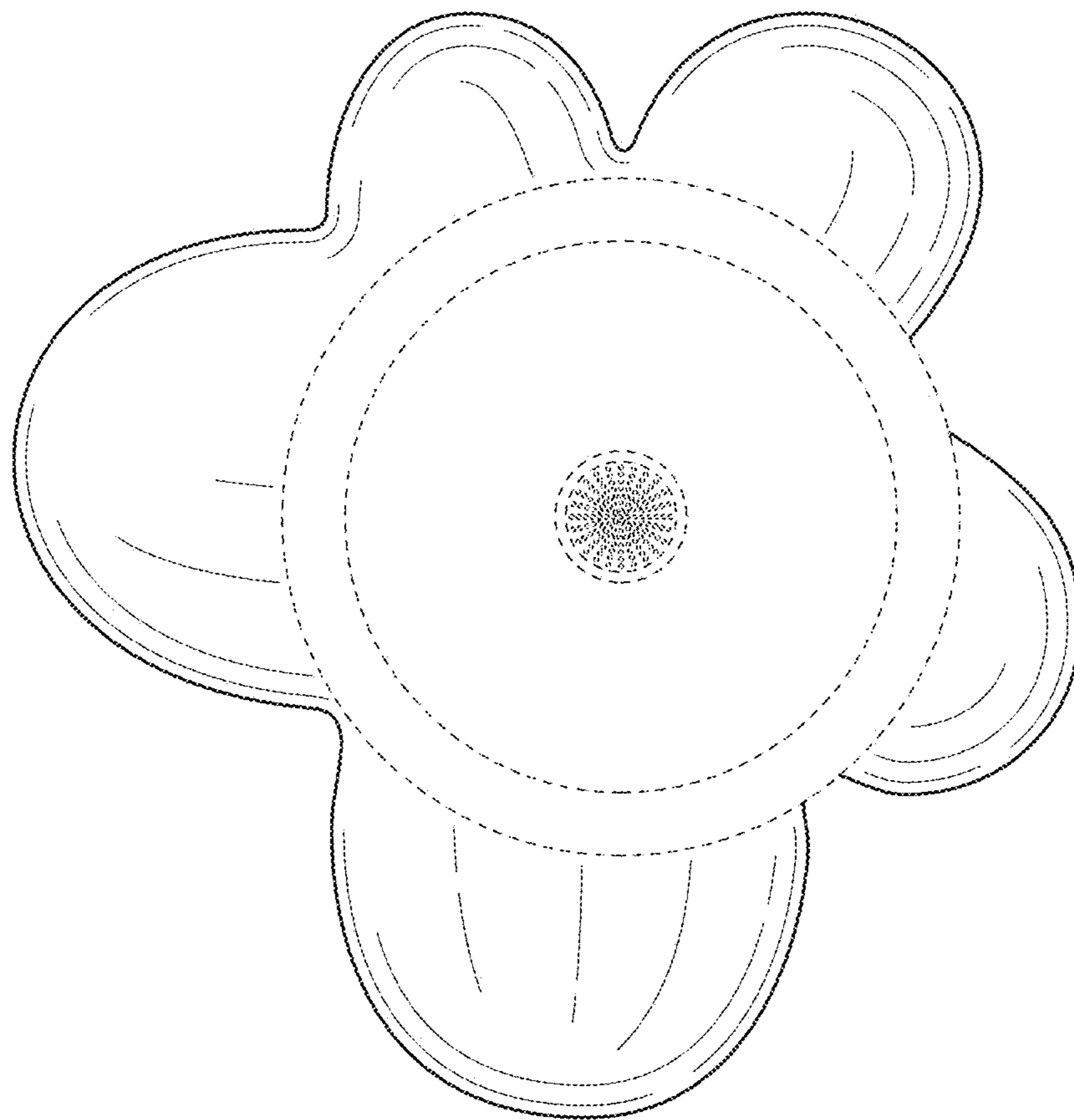


FIG. 7

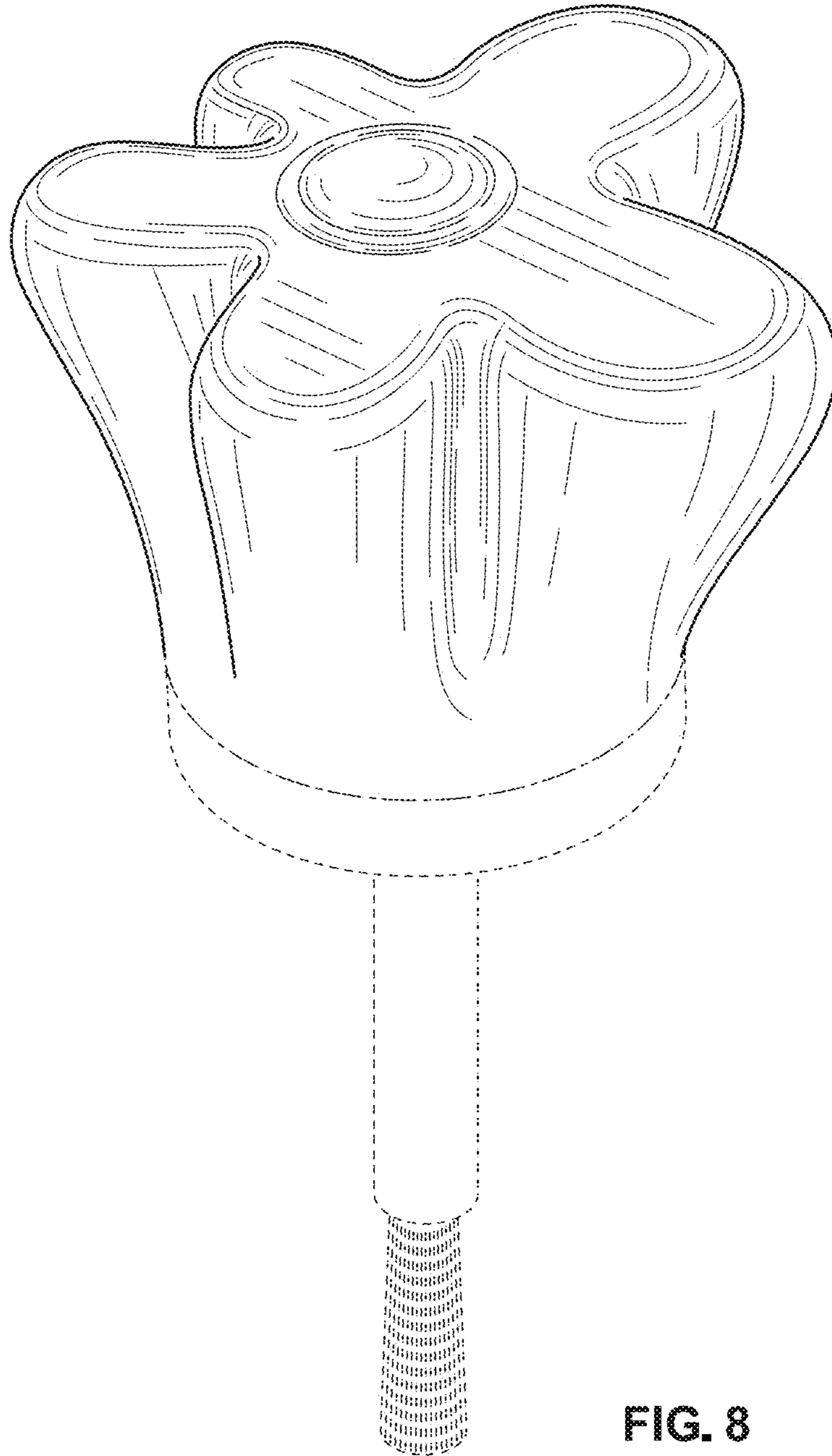


FIG. 8

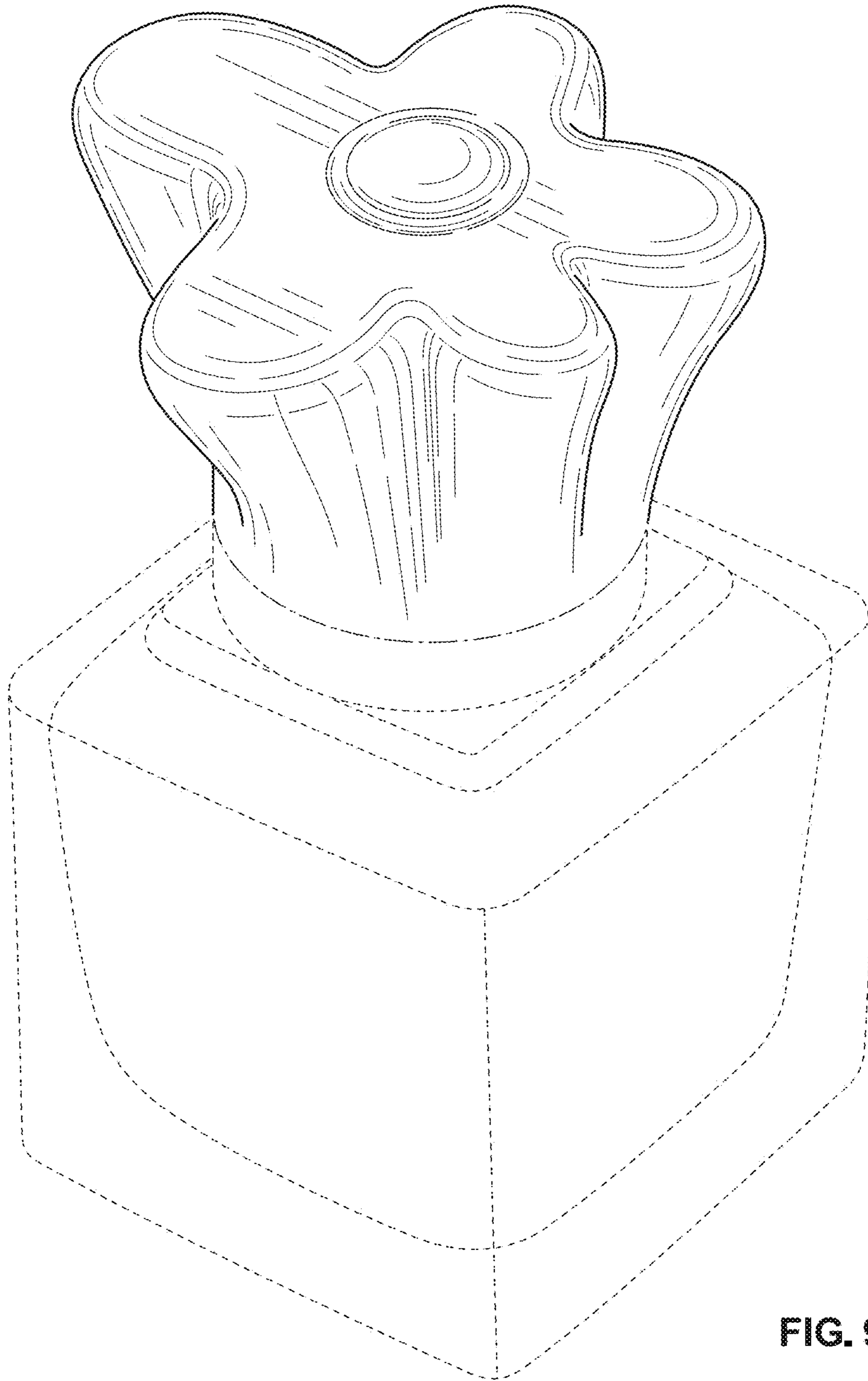


FIG. 9

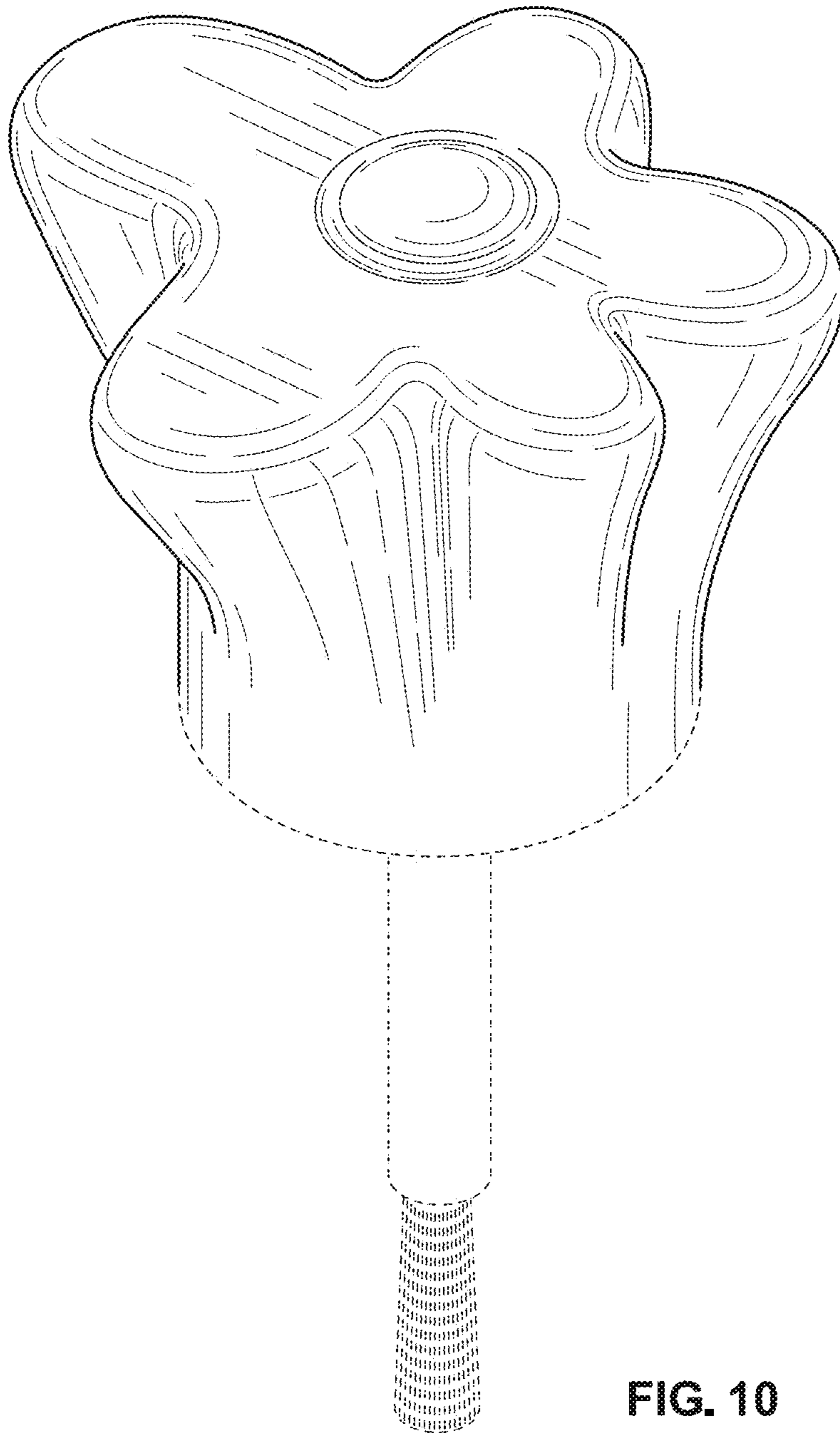


FIG. 10

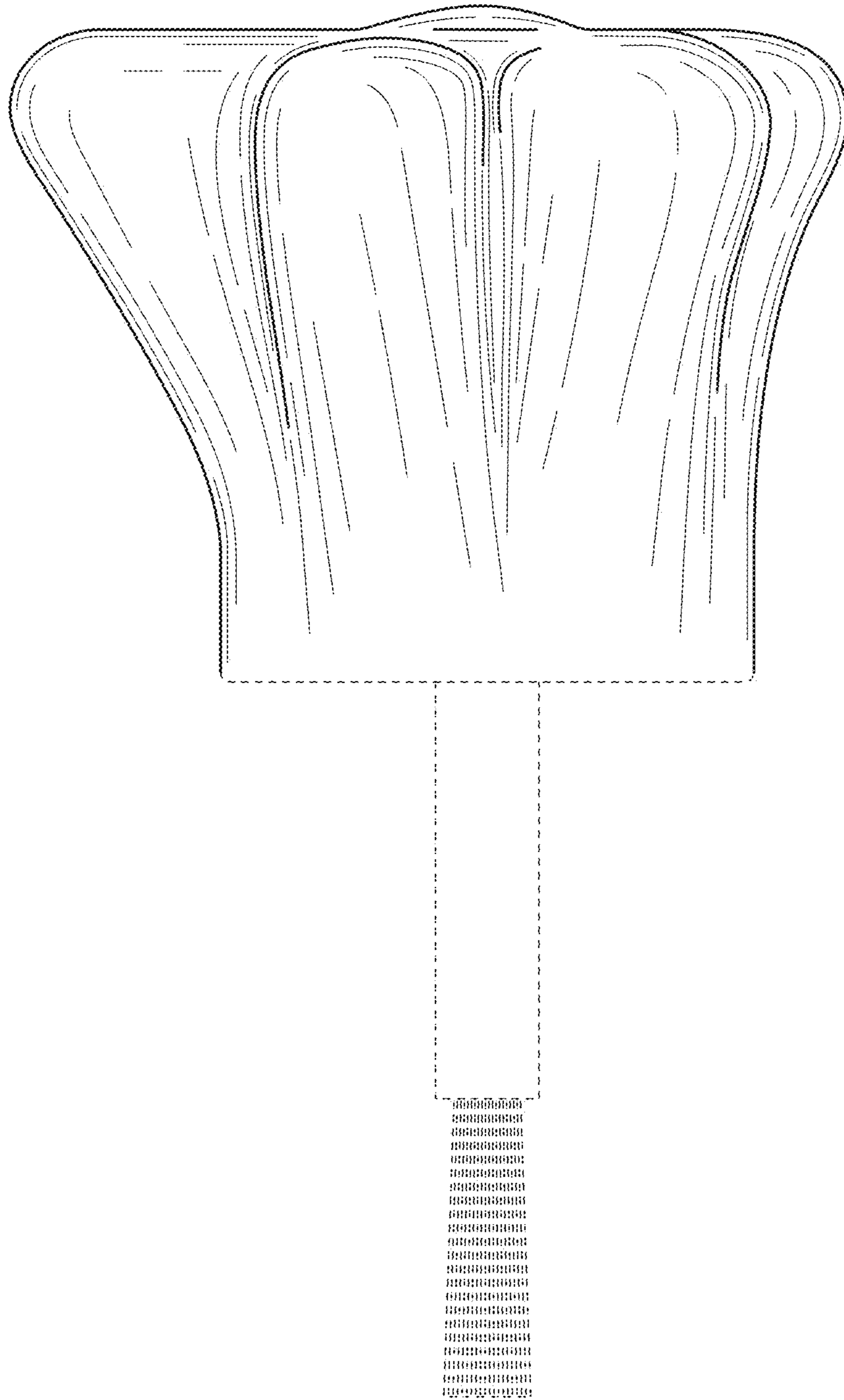


FIG. 11

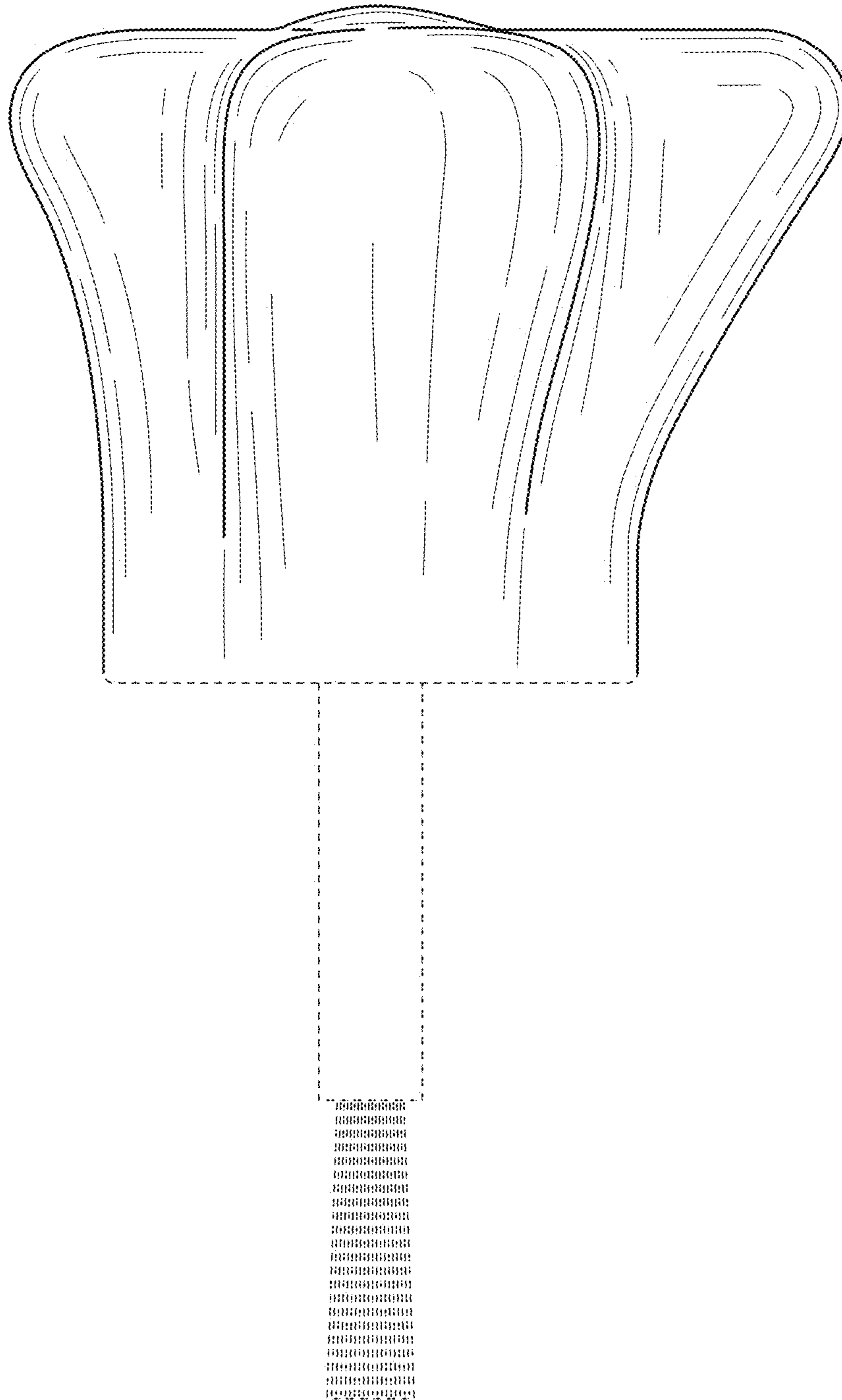


FIG. 12

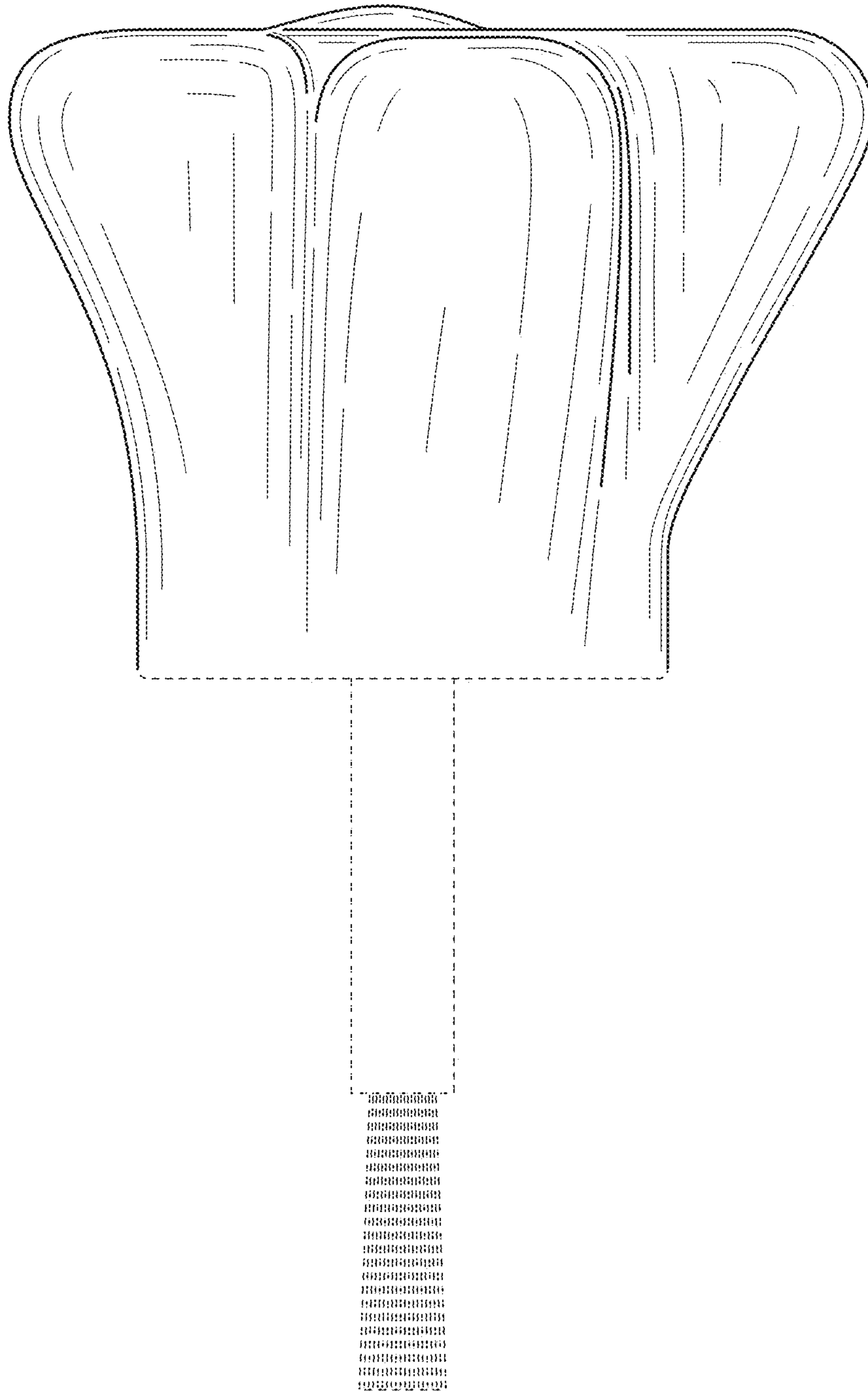


FIG. 13

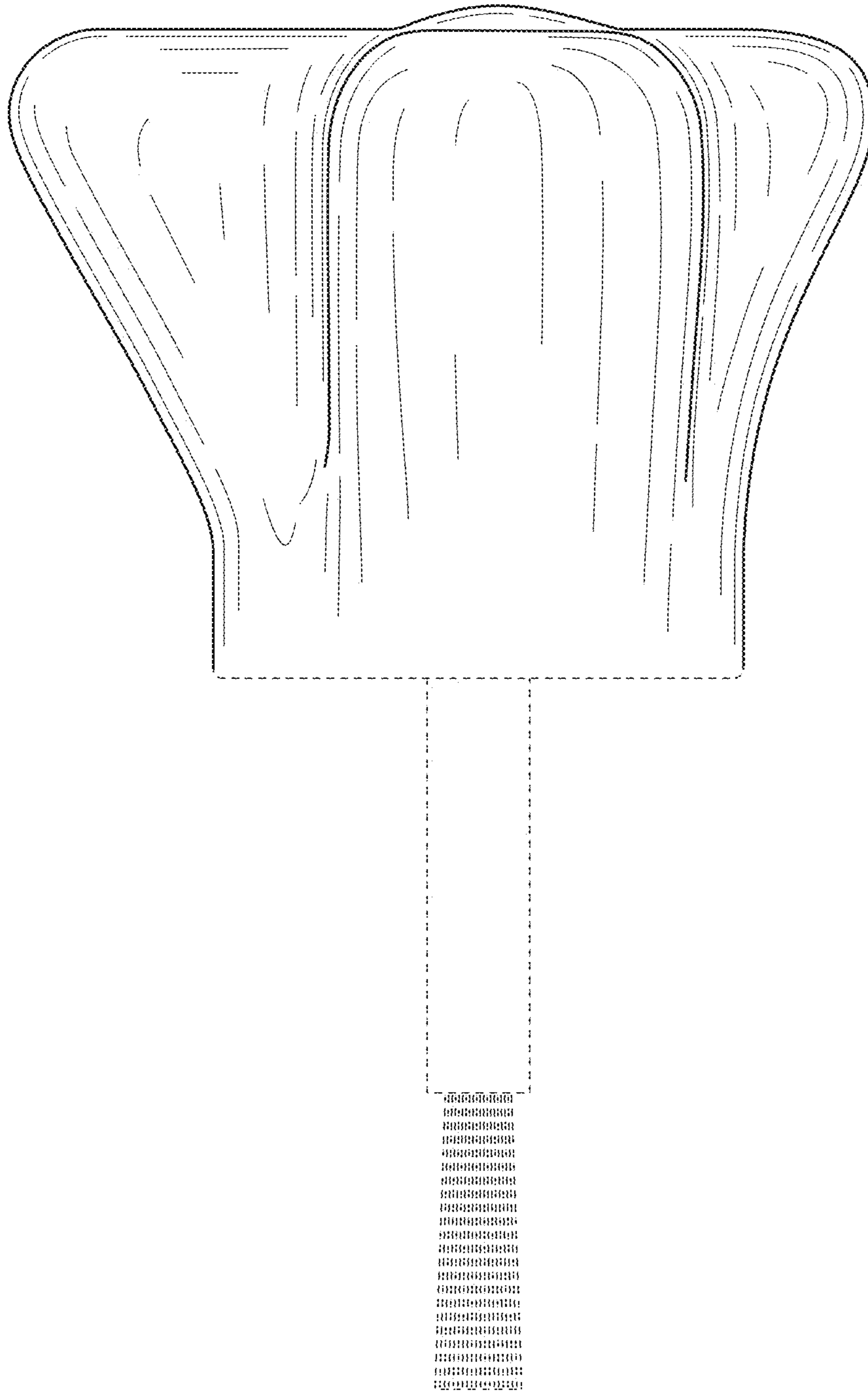


FIG. 14



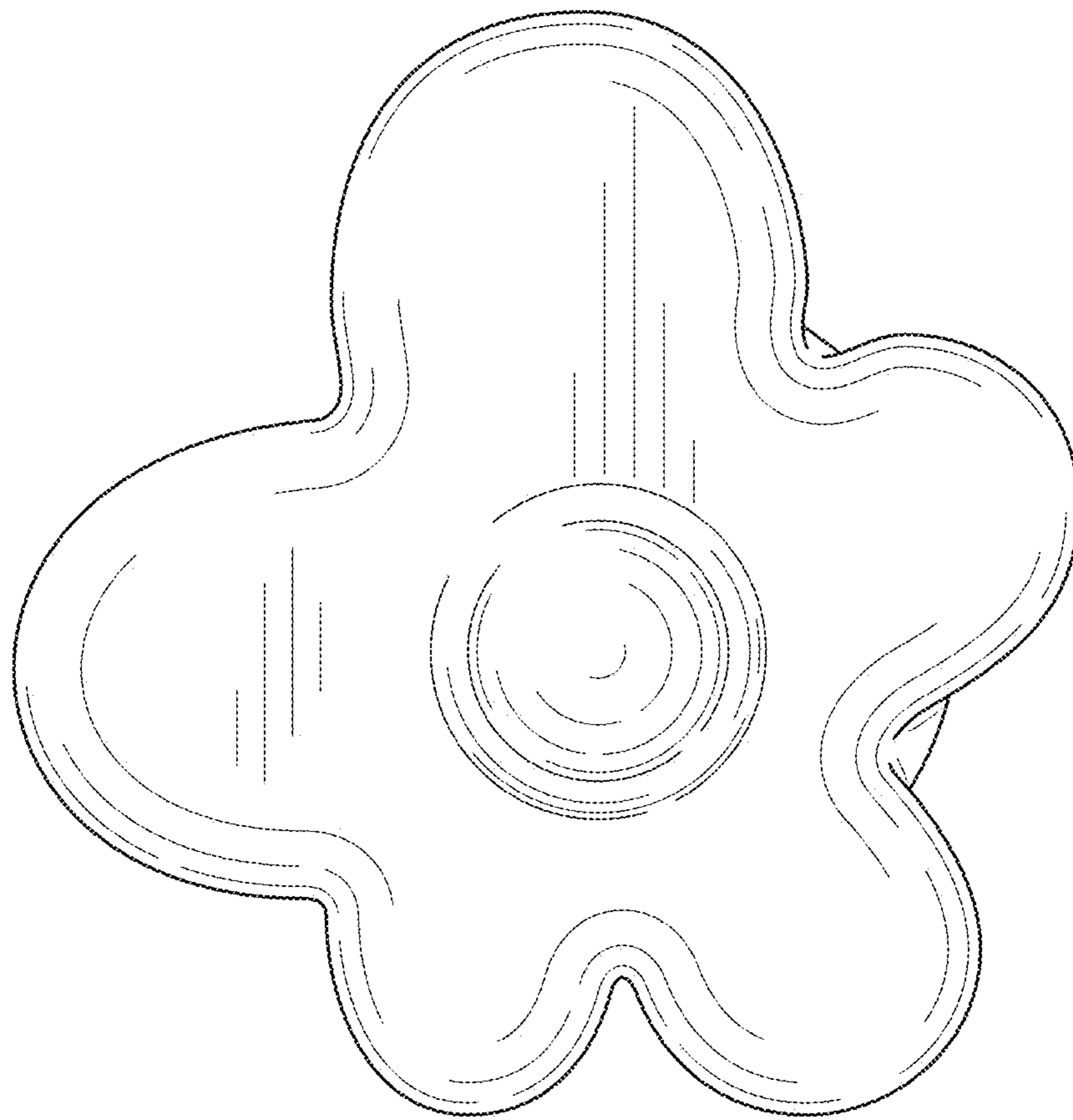


FIG. 15

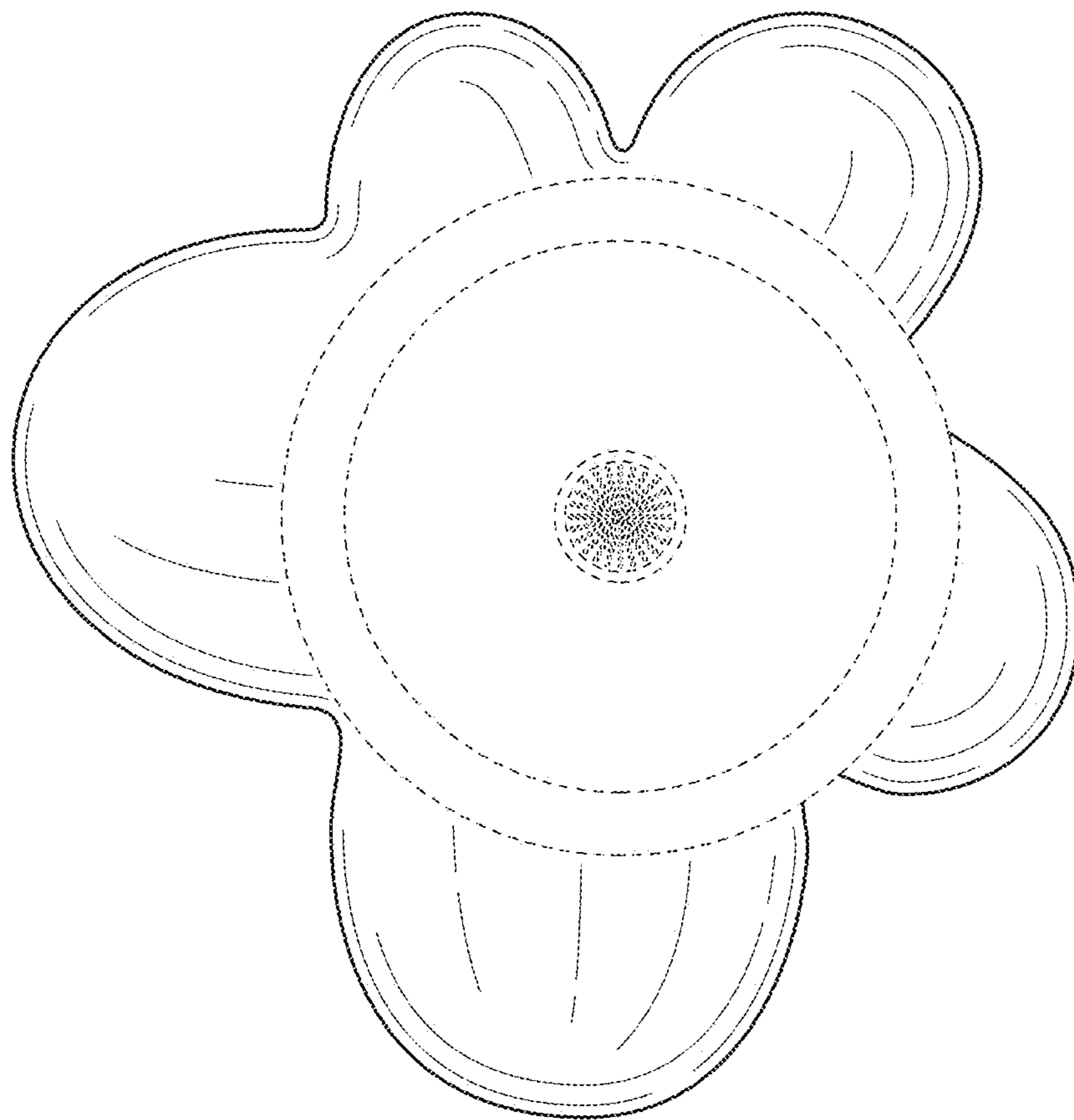


FIG. 16

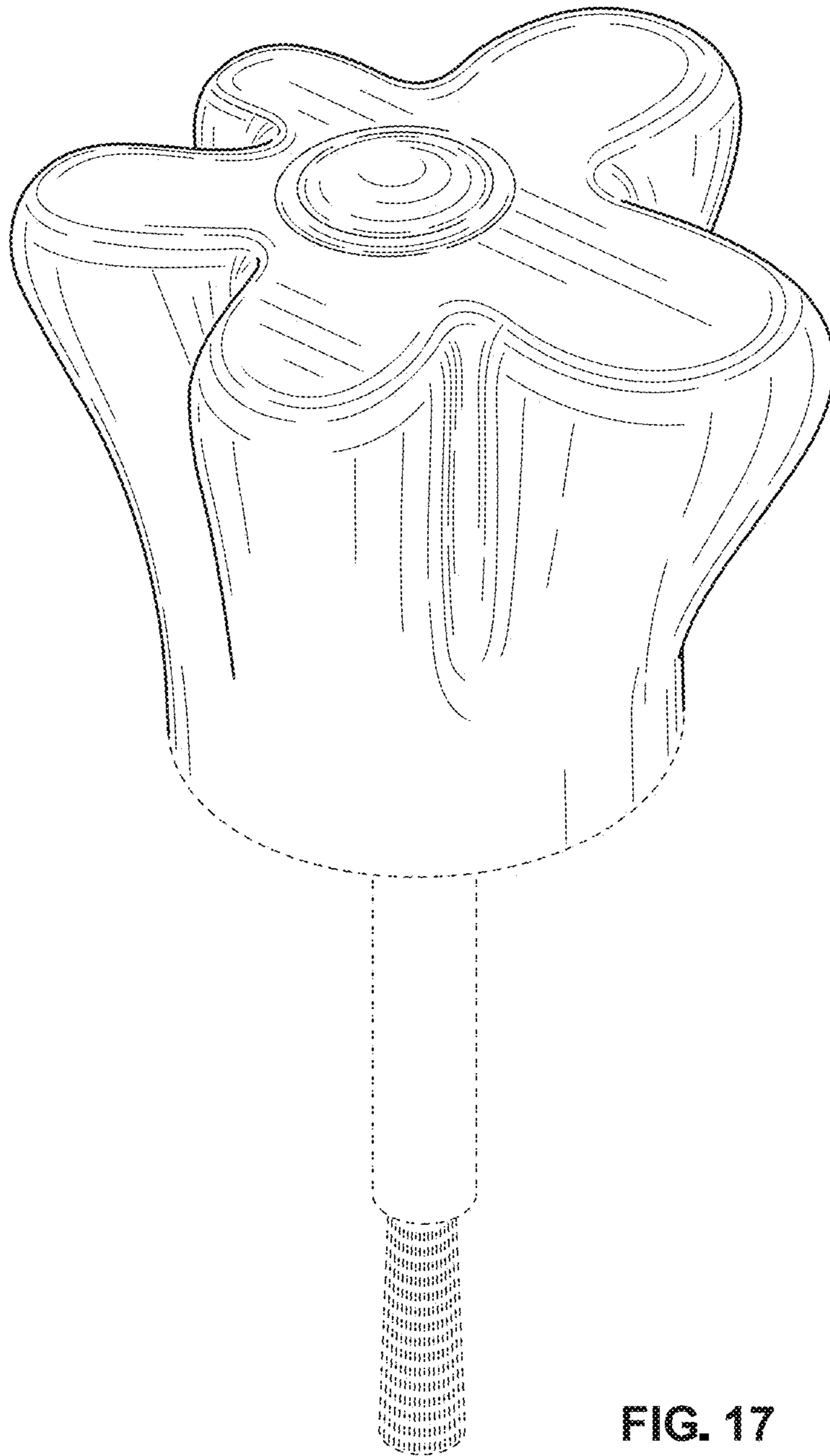


FIG. 17

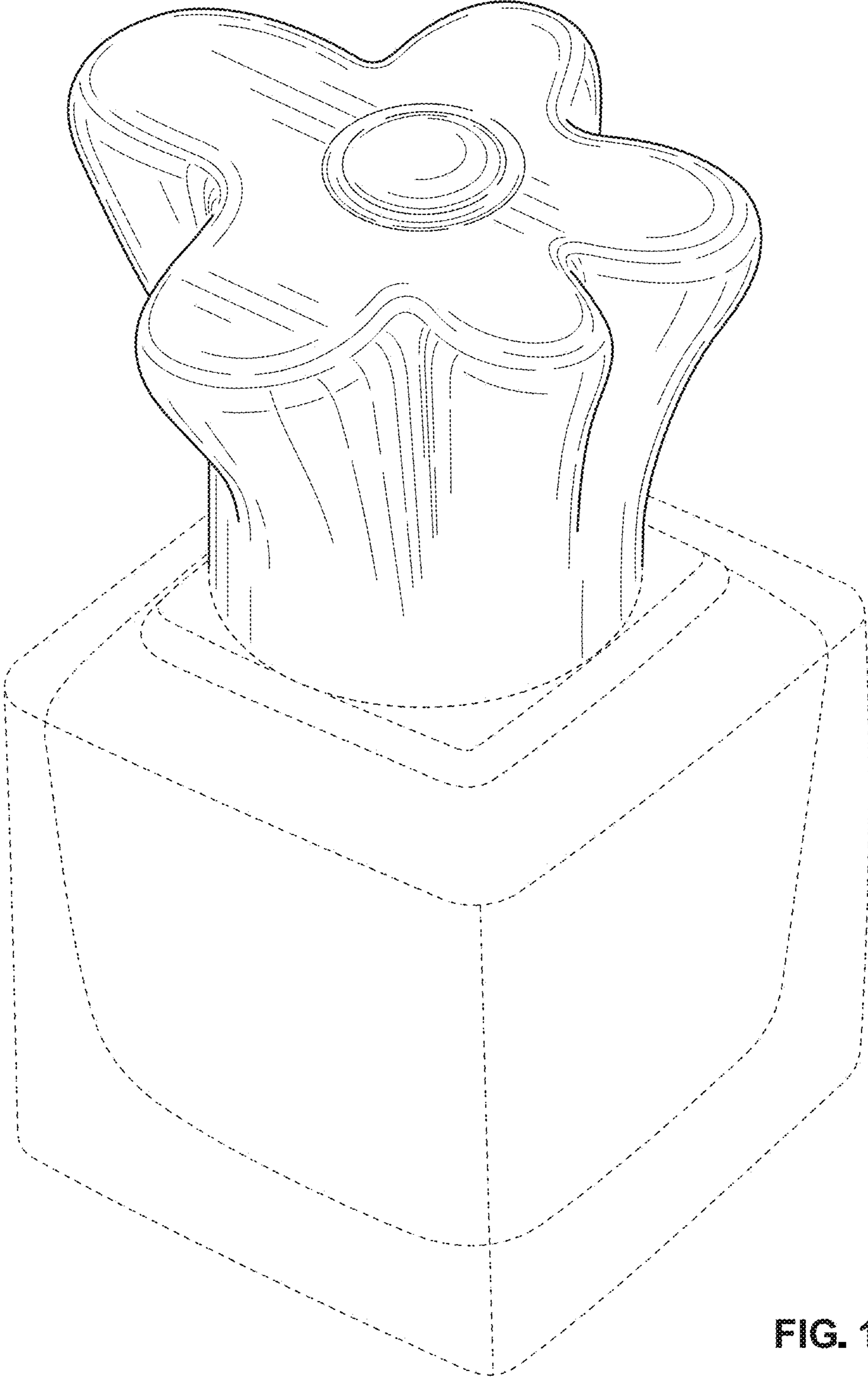


FIG. 18