



US00D969607S

(12) **United States Design Patent**  
**Matauch**

(10) **Patent No.:** **US D969,607 S**  
(45) **Date of Patent:** **\*\* Nov. 15, 2022**

(54) **TAMPER PROOF CORK SYSTEM**

**DESCRIPTION**

(71) Applicant: **Flowdesign, Inc.**, Northville, MI (US)  
(72) Inventor: **Daniel Matauch**, Northville, MI (US)  
(73) Assignee: **Flowdesign, Inc.**, Northville, MI (US)  
(\*\*) Term: **15 Years**  
(21) Appl. No.: **29/723,369**  
(22) Filed: **Feb. 6, 2020**  
(51) **LOC (13) Cl.** ..... **09-07**  
(52) **U.S. Cl.**  
USPC ..... **D9/439**; D9/438  
(58) **Field of Classification Search**  
USPC ..... D9/434, 435, 439, 443, 446, 447, 449,  
D9/452, 454, 438, 440; D7/387, 391,  
(Continued)

(56) **References Cited**

**U.S. PATENT DOCUMENTS**

4,911,316 A \* 3/1990 Tackles ..... B65D 41/48  
215/256  
5,513,763 A \* 5/1996 Adams ..... B67D 3/0032  
141/354

(Continued)

**OTHER PUBLICATIONS**

Non-Spill Cap: Site Visited [Jan. 28, 2022]. Available from Internet  
URL: [https://www.sparkmkx.com/index.php?main\\_page=product\\_info&products\\_id=438496](https://www.sparkmkx.com/index.php?main_page=product_info&products_id=438496).\*

(Continued)

*Primary Examiner* — Catherine S Posthauer  
(74) *Attorney, Agent, or Firm* — Young Basile Hanlon & MacFarlane, P.C.

(57) **CLAIM**

The ornamental design for a tamper proof cork system, as shown and described.

FIG. 1 is a side view of a first embodiment of a tamper proof cork system, showing my new design;  
FIG. 2 is a perspective cross sectional view of the tamper proof cork system of FIG. 1, taken in the direction of line 2-2 on FIG. 1;  
FIG. 3 is a top view of the tamper proof cork system of FIG. 1;  
FIG. 4 is a bottom view of the tamper proof cork system of FIG. 1;  
FIG. 5 is a side view of the tamper proof cork system of FIG. 1 in which a detachable portion of the tamper proof cork system has been partially removed;  
FIG. 6 is a side view of the tamper proof cork system of FIG. 5 in which the detachable portion of the tamper proof cork system has been completely removed;  
FIG. 7 is a bottom view of the tamper proof cork system of FIG. 6;  
FIG. 8 is a side view of the tamper proof cork system of FIG. 1 coupled to a bottle;  
FIG. 9 is a perspective cross sectional view of the tamper proof cork system of FIG. 8, taken in the direction of line 9-9 on FIG. 8;  
FIG. 10 is a side view of the tamper proof cork system of FIG. 6 coupled to a bottle;  
FIG. 11 is a side view of a second embodiment of a tamper proof cork system, showing my new design;  
FIG. 12 is a perspective cross sectional view of the tamper proof cork system of FIG. 11, taken in the direction of line 12-12 on FIG. 11;  
FIG. 13 is a top view of the tamper proof cork system of FIG. 11;  
FIG. 14 is a bottom view of the tamper proof cork system of FIG. 11;  
FIG. 15 is a side view of the tamper proof cork system of FIG. 11 in which a detachable portion of the tamper proof cork system has been partially removed;  
FIG. 16 is a side view of the tamper proof cork system of FIG. 15 in which the detachable portion of the tamper proof cork system has been completely removed;  
FIG. 17 is a bottom view of the tamper proof cork system of FIG. 16;

(Continued)

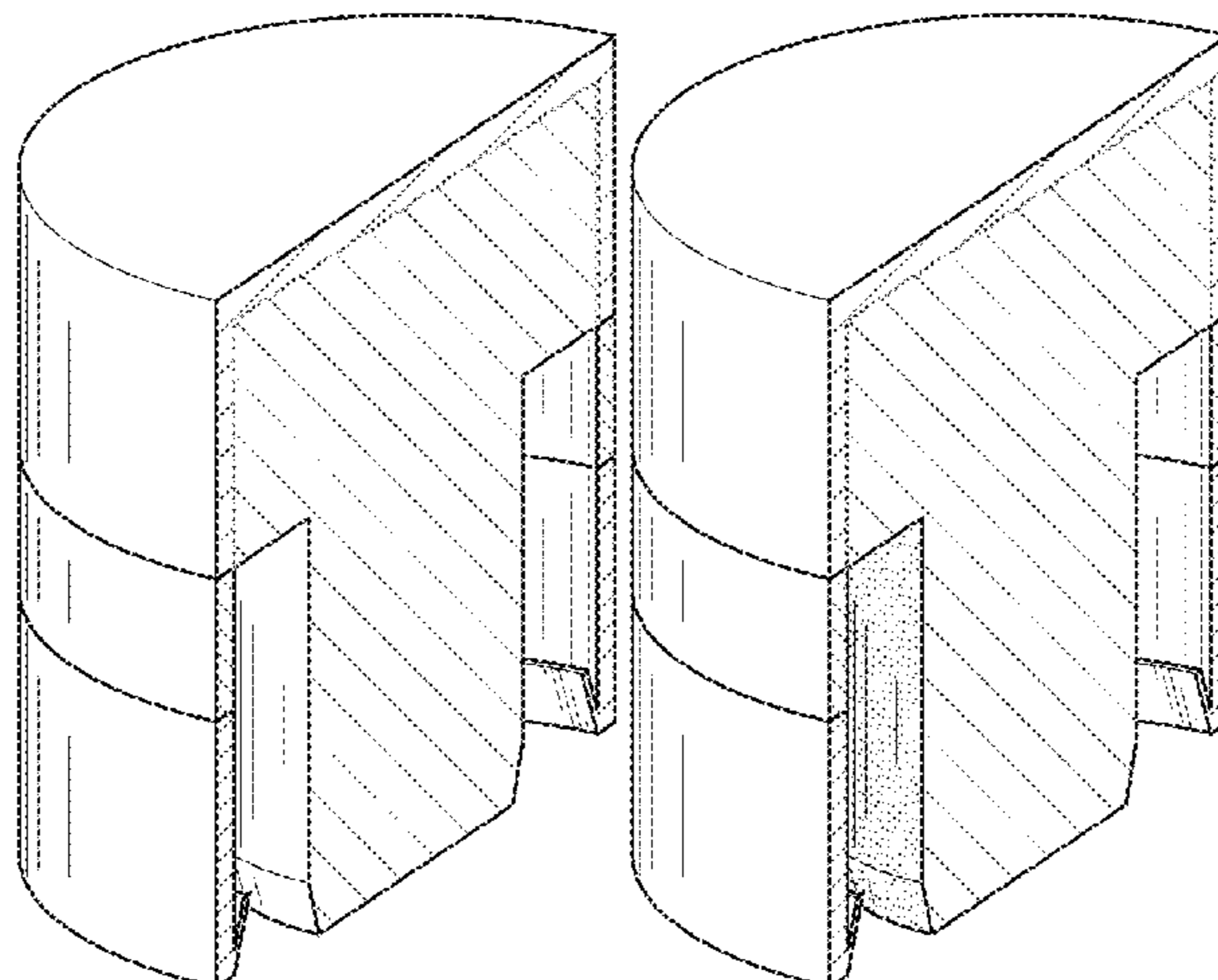


FIG. 18 is a side view of the tamper proof cork system of FIG. 11 coupled to a bottle;  
 FIG. 19 is a perspective cross sectional view of the tamper proof cork system of FIG. 18, taken in the direction of line 19-19 on FIG. 18;  
 FIG. 20 is a side view of the tamper proof cork system of FIG. 16 coupled to a bottle;  
 FIG. 21 is a side view of a third embodiment of a tamper proof cork system, showing my new design;  
 FIG. 22 is a perspective cross sectional view of the tamper proof cork system of FIG. 21, taken in the direction of line 22-22 on FIG. 21;  
 FIG. 23 is a top view of the tamper proof cork system of FIG. 21;  
 FIG. 24 is a bottom view of the tamper proof cork system of FIG. 21;  
 FIG. 25 is a side view of the tamper proof cork system of FIG. 21 in which a detachable portion of the tamper proof cork system has been partially removed;  
 FIG. 26 is a side view of the tamper proof cork system of FIG. 25 in which the detachable portion of the tamper proof cork system has been completely removed;  
 FIG. 27 is a bottom view of the tamper proof cork system of FIG. 26;  
 FIG. 28 is a side view of the tamper proof cork system of FIG. 21 coupled to a bottle;  
 FIG. 29 is a perspective cross sectional view of the tamper proof cork system of FIG. 28, taken in the direction of line 29-29 on FIG. 28;  
 FIG. 30 is a side view of the tamper proof cork system of FIG. 26 coupled to a bottle;  
 FIG. 31 is a side view of a fourth embodiment of a tamper proof cork system, showing my new design;  
 FIG. 32 is a perspective cross sectional view of the tamper proof cork system of FIG. 31, taken in the direction of line 32-32 on FIG. 31;  
 FIG. 33 is a top view of the tamper proof cork system of FIG. 31;  
 FIG. 34 is a bottom view of the tamper proof cork system of FIG. 31;  
 FIG. 35 is a side view of the tamper proof cork system of FIG. 31 in which a detachable portion of the tamper proof cork system has been partially removed;  
 FIG. 36 is a side view of the tamper proof cork system of FIG. 35 in which the detachable portion of the tamper proof cork system has been completely removed;  
 FIG. 37 is a bottom view of the tamper proof cork system of FIG. 36;  
 FIG. 38 is a side view of the tamper proof cork system of FIG. 31 coupled to a bottle;  
 FIG. 39 is a perspective cross sectional view of the tamper proof cork system of FIG. 38, taken in the direction of line 39-39 on FIG. 38; and,  
 FIG. 40 is a side view of the tamper proof cork system of FIG. 36 coupled to a bottle.

The evenly broken lines are shown for the purpose of illustrating cross hatching applied to cut surfaces that form no part of the claim. The dot-dot-dash broken lines represent environmental subject matter of an exemplary bottle. None of the broken lines for part of the claimed design. Cross-hatching provided on cut surfaces forms no part of the claimed design. Contrast in appearance is shown by the use of line shading in some areas and stippling in others.

**1 Claim, 24 Drawing Sheets**

(58) **Field of Classification Search**

USPC ..... D7/392, 392.1, 396.1, 396.2; D23/206, D23/259, 260; D24/129; D3/202, 203.2; D28/91, 91.1  
 CPC ..... B65D 81/3841; B65D 81/3839; B65D 41/0414; B65D 85/72; B65D 1/00; B65D 1/02; B65D 1/10; B65D 1/46; B65D 5/46; B65D 41/00; B65D 41/38; B65D 41/56; B65D 41/62; B65D 47/00; B65D 47/06; B65D 47/08; A61J 1/00

See application file for complete search history.

(56) **References Cited**

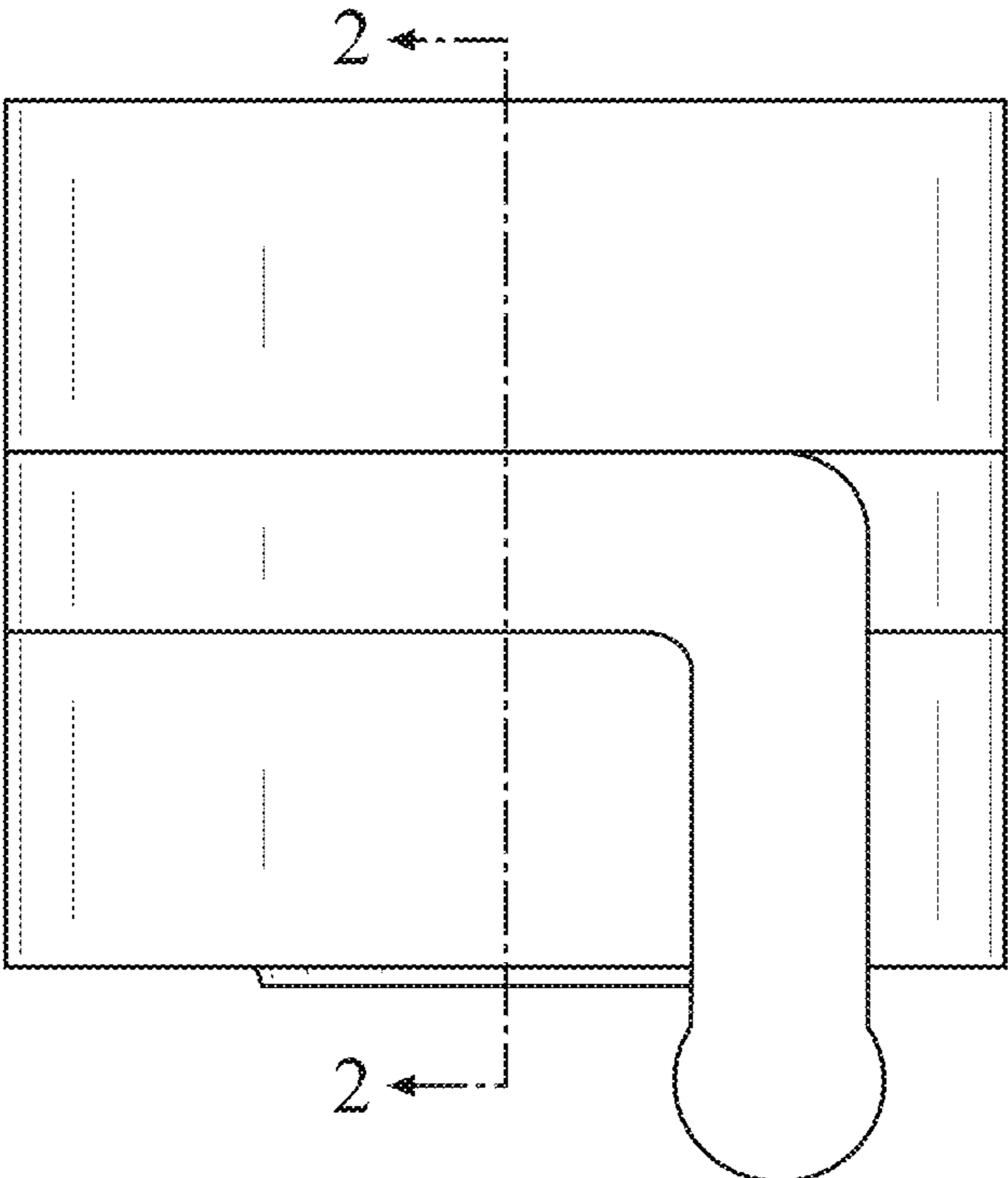
U.S. PATENT DOCUMENTS

6,082,567	A *	7/2000	Bietzer	.....	B65D 41/485 215/354
D447,056	S *	8/2001	Caserta	.....	D9/438
7,007,816	B2 *	3/2006	Verderber	.....	B65D 41/185 215/256
7,281,636	B2 *	10/2007	Kim	.....	B65D 41/48 215/253
D608,638	S *	1/2010	Pontes	.....	D9/446
D920,790	S *	6/2021	Neputy	.....	D9/453
D927,976	S *	8/2021	Neputy	.....	D9/452
2002/0195415	A1 *	12/2002	Kim	.....	B65D 41/48 215/254
2004/0173563	A1 *	9/2004	Kim	.....	B65D 41/48 215/254
2007/0221672	A1 *	9/2007	Kim	.....	B65D 41/18 220/795
2015/0001173	A1 *	1/2015	Graux	.....	B65D 1/02 215/320

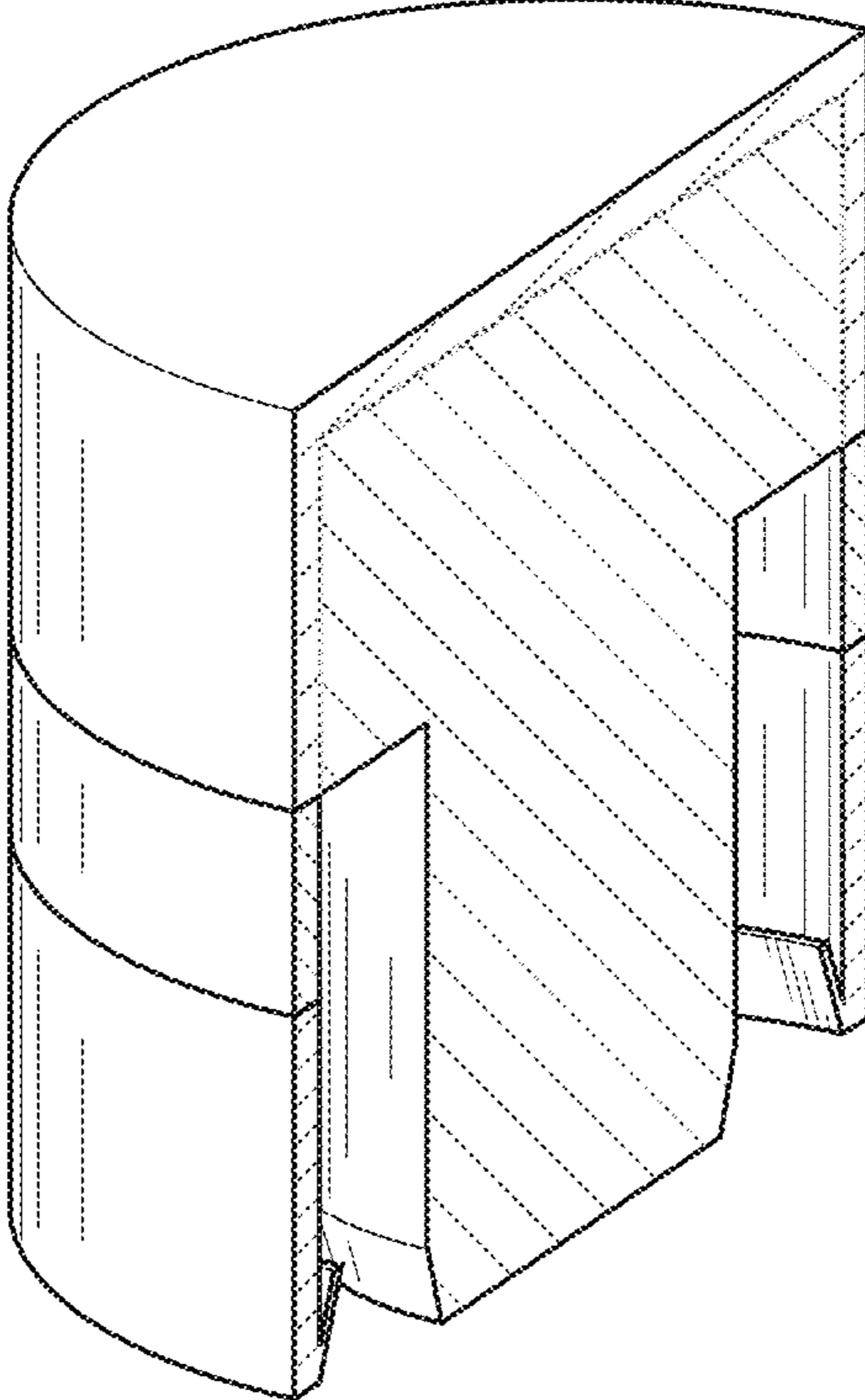
OTHER PUBLICATIONS

Plastic Closure: Annoiunced Oct. 20, 2019 [online]. Site Visited [Jun. 22, 2021]. Available from Internet URL: <https://www.silgancls.com/product/plastic-55mm-rsf/>.\*

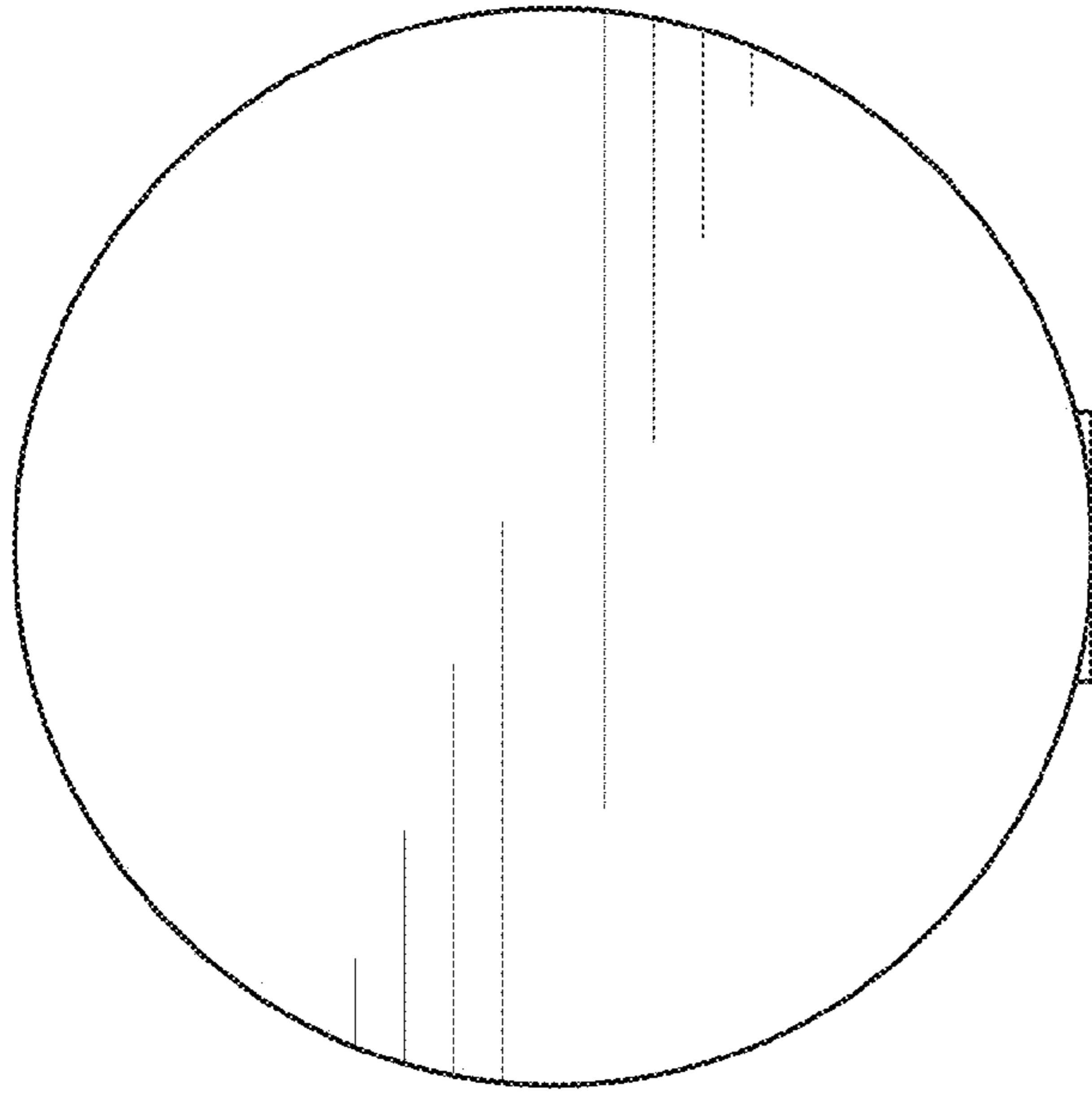
\* cited by examiner



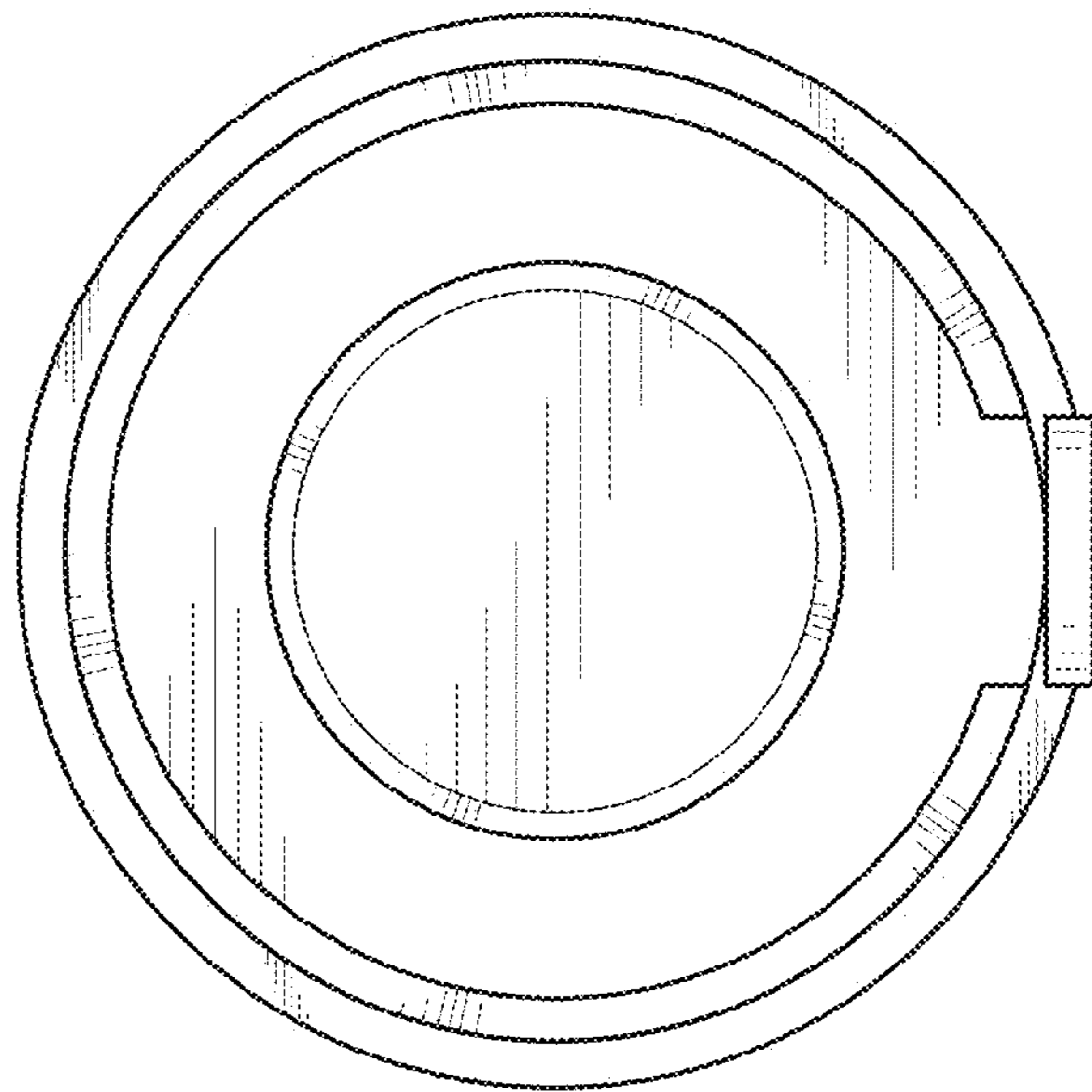
**FIG. 1**



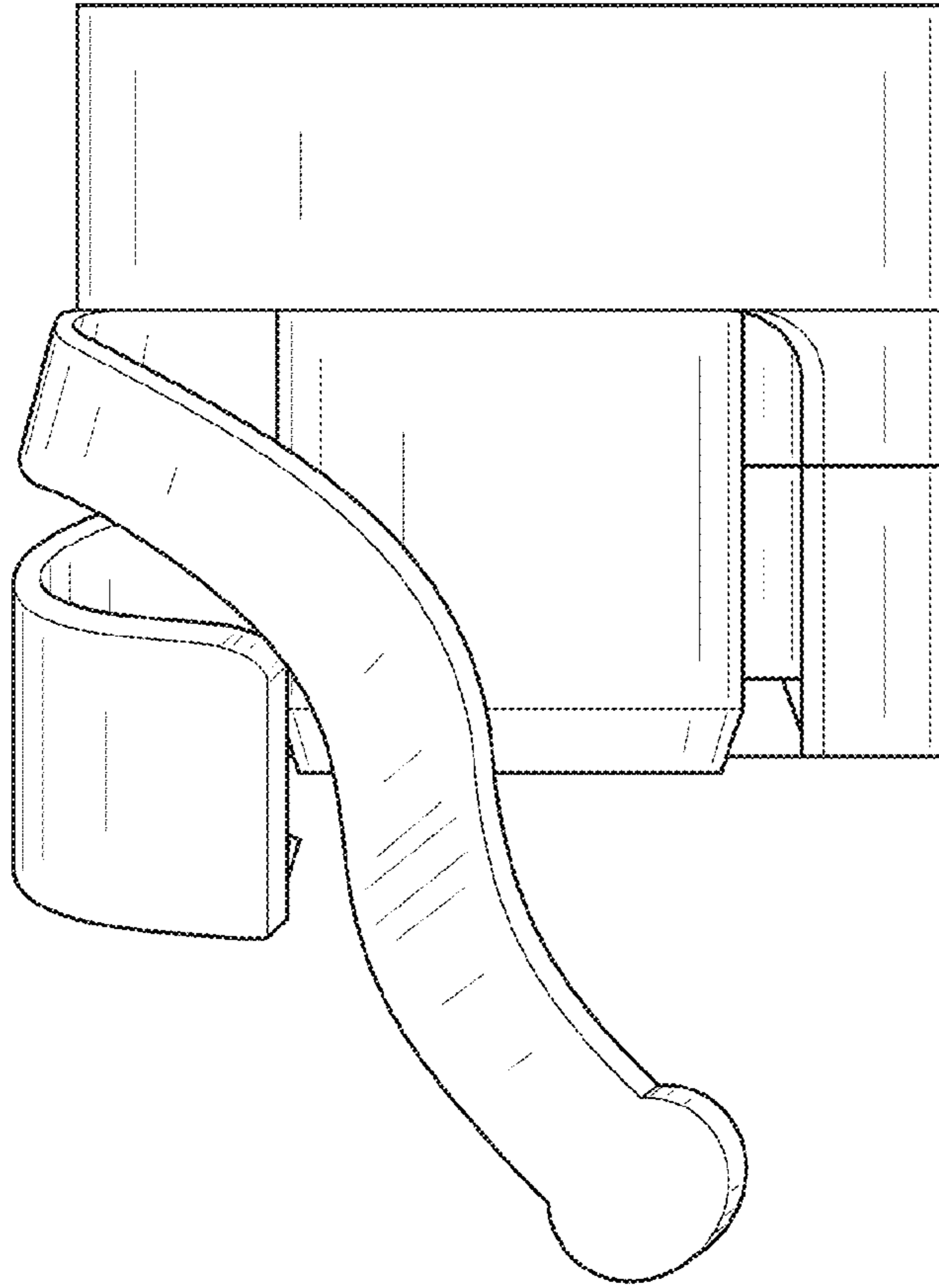
**FIG. 2**



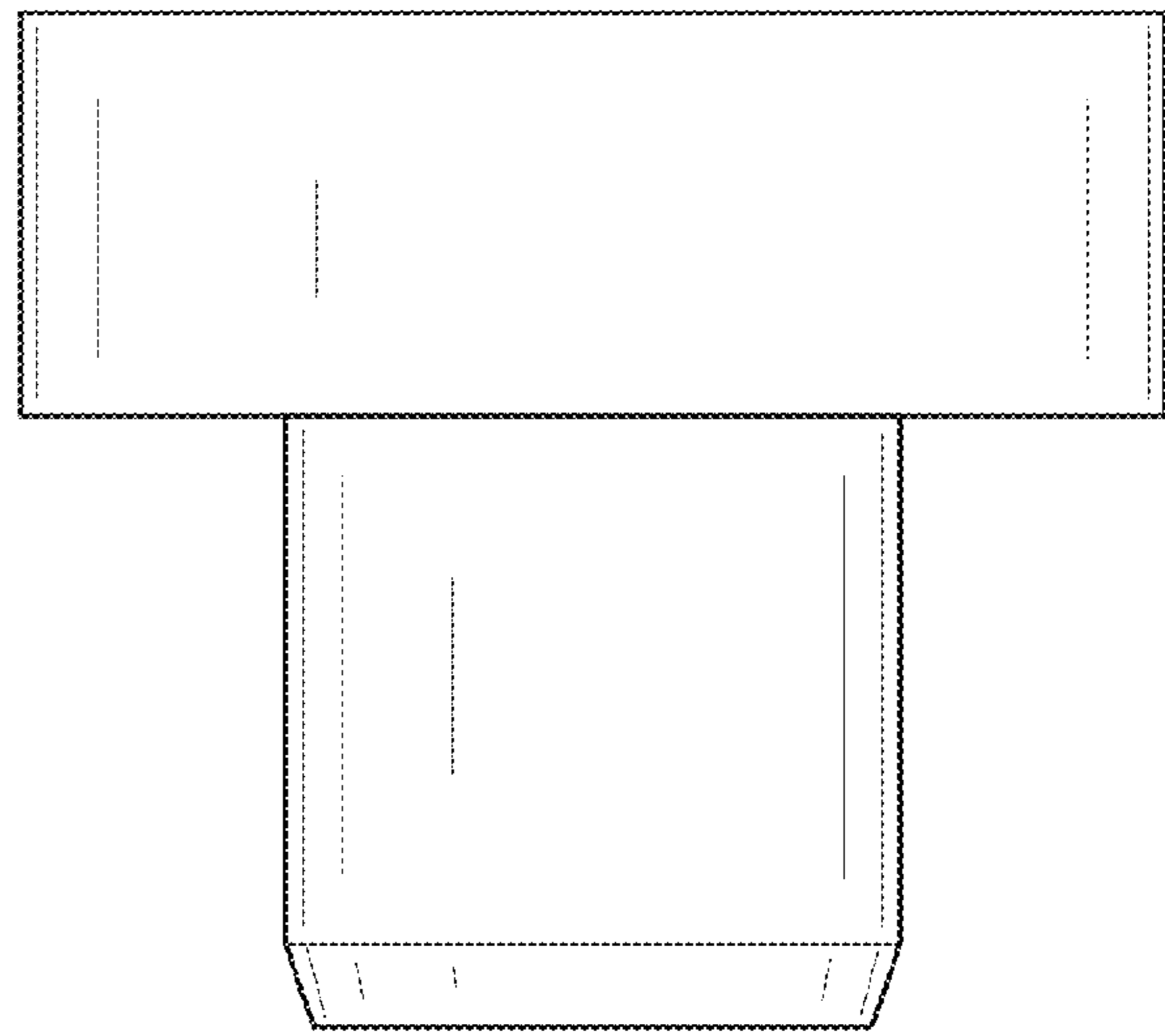
**FIG. 3**



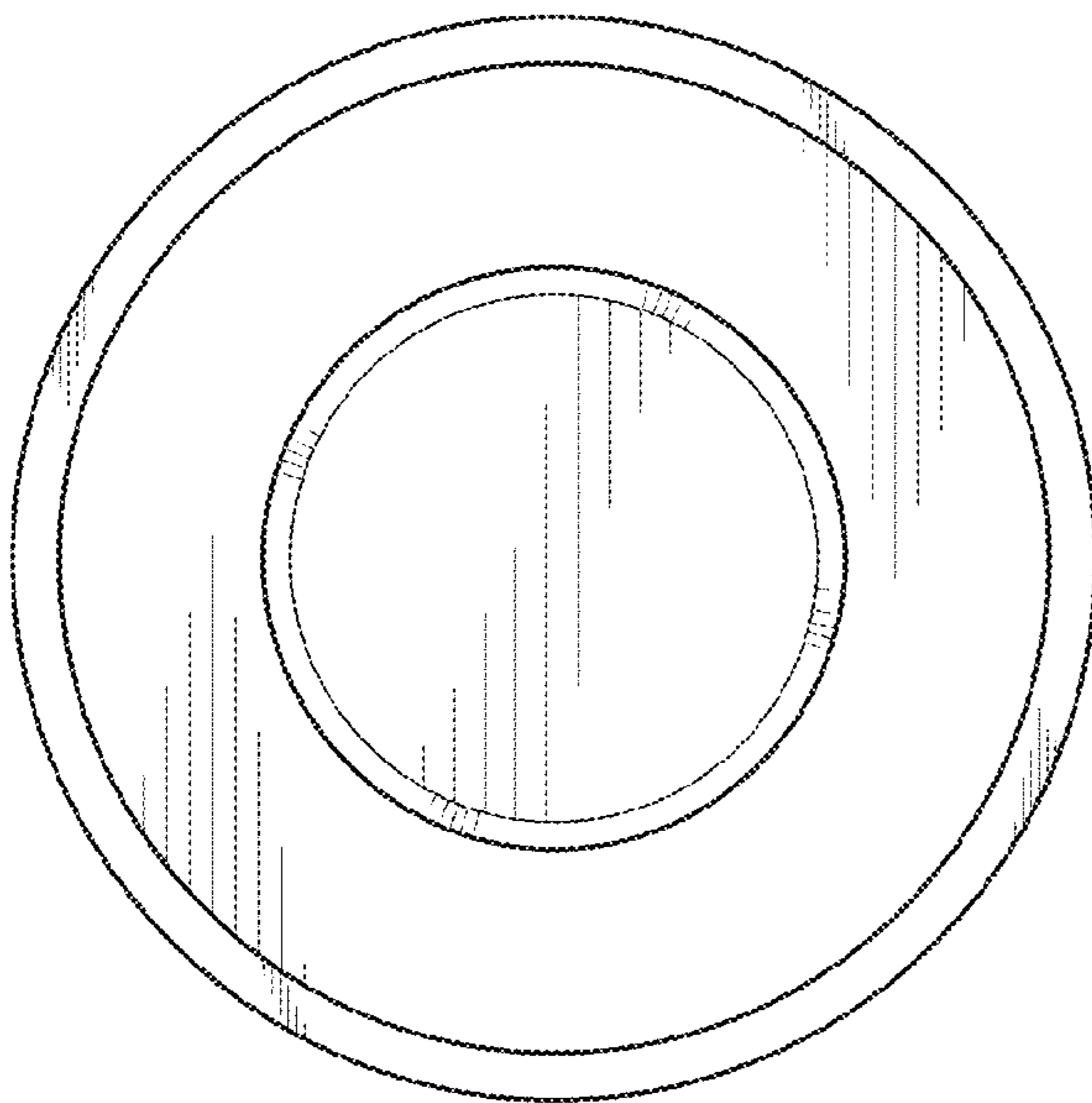
**FIG. 4**



**FIG. 5**



**FIG. 6**



**FIG. 7**

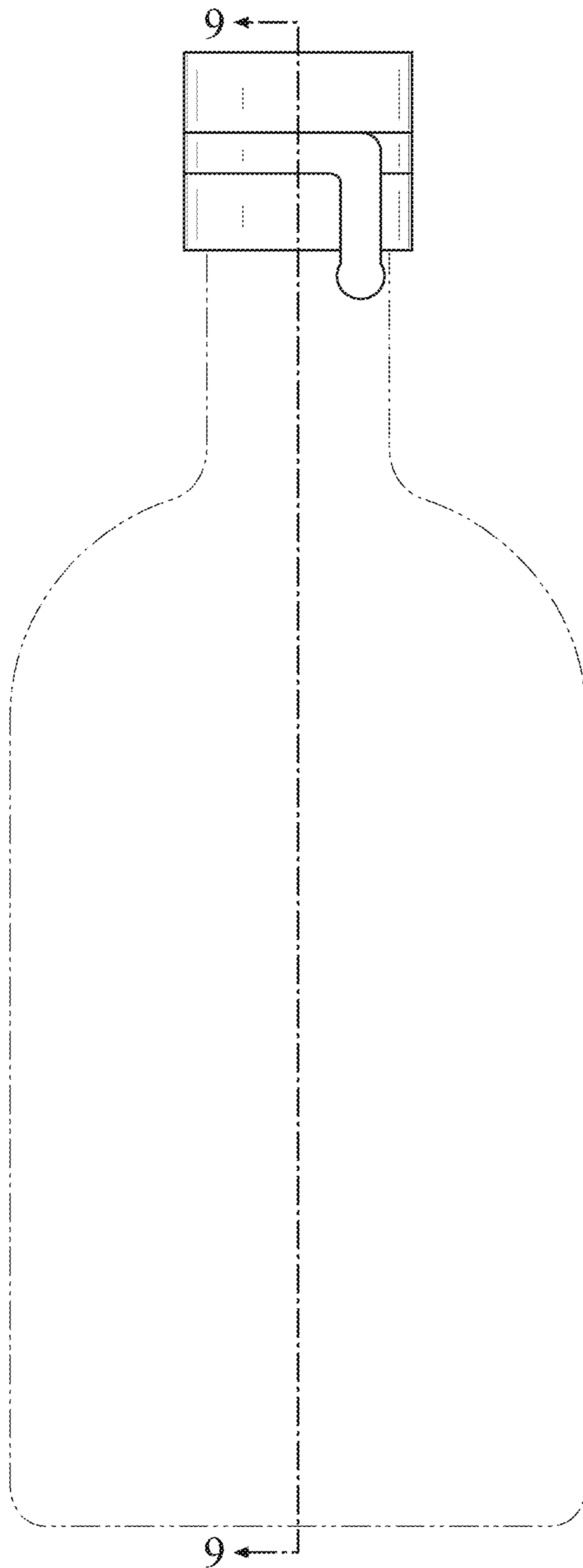
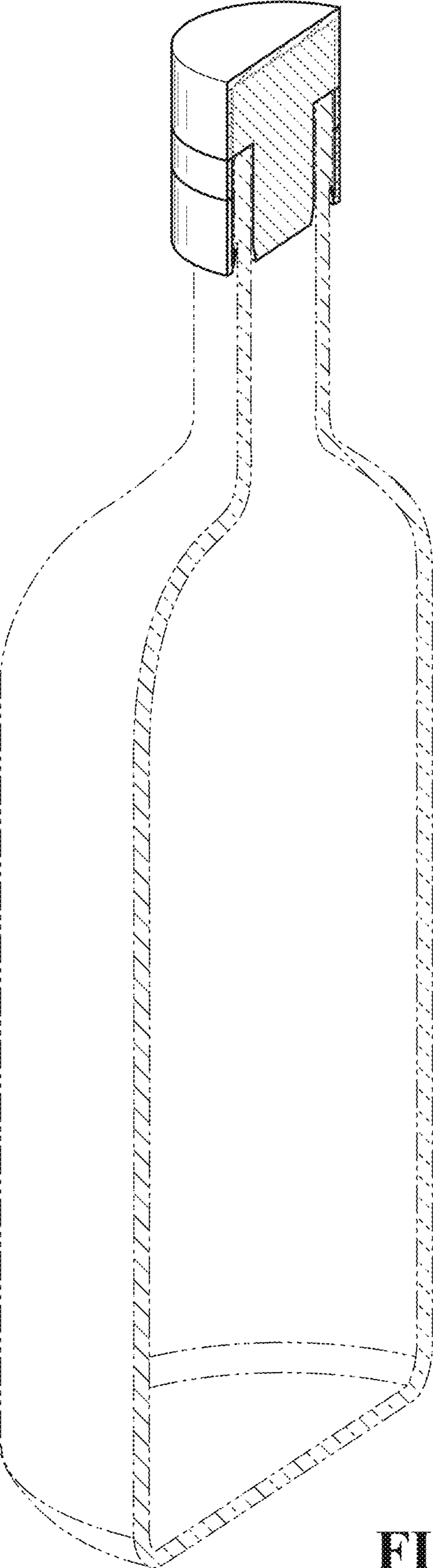
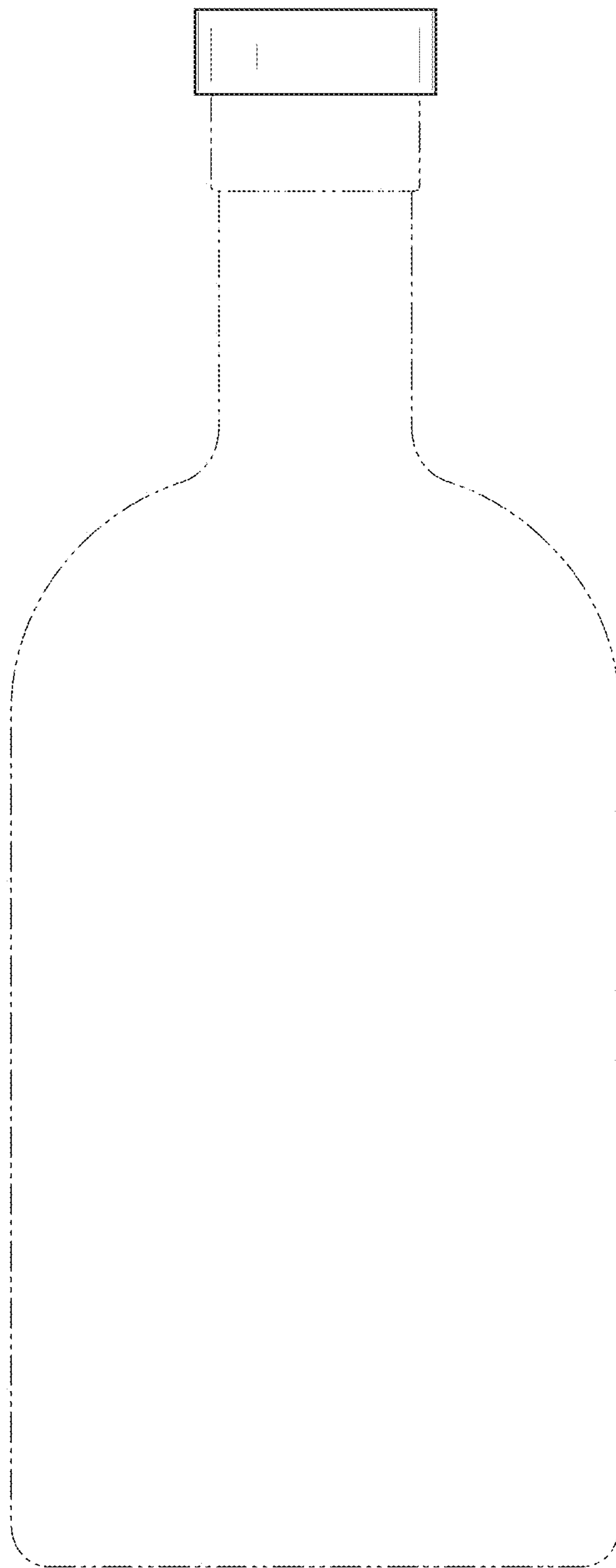


FIG. 8

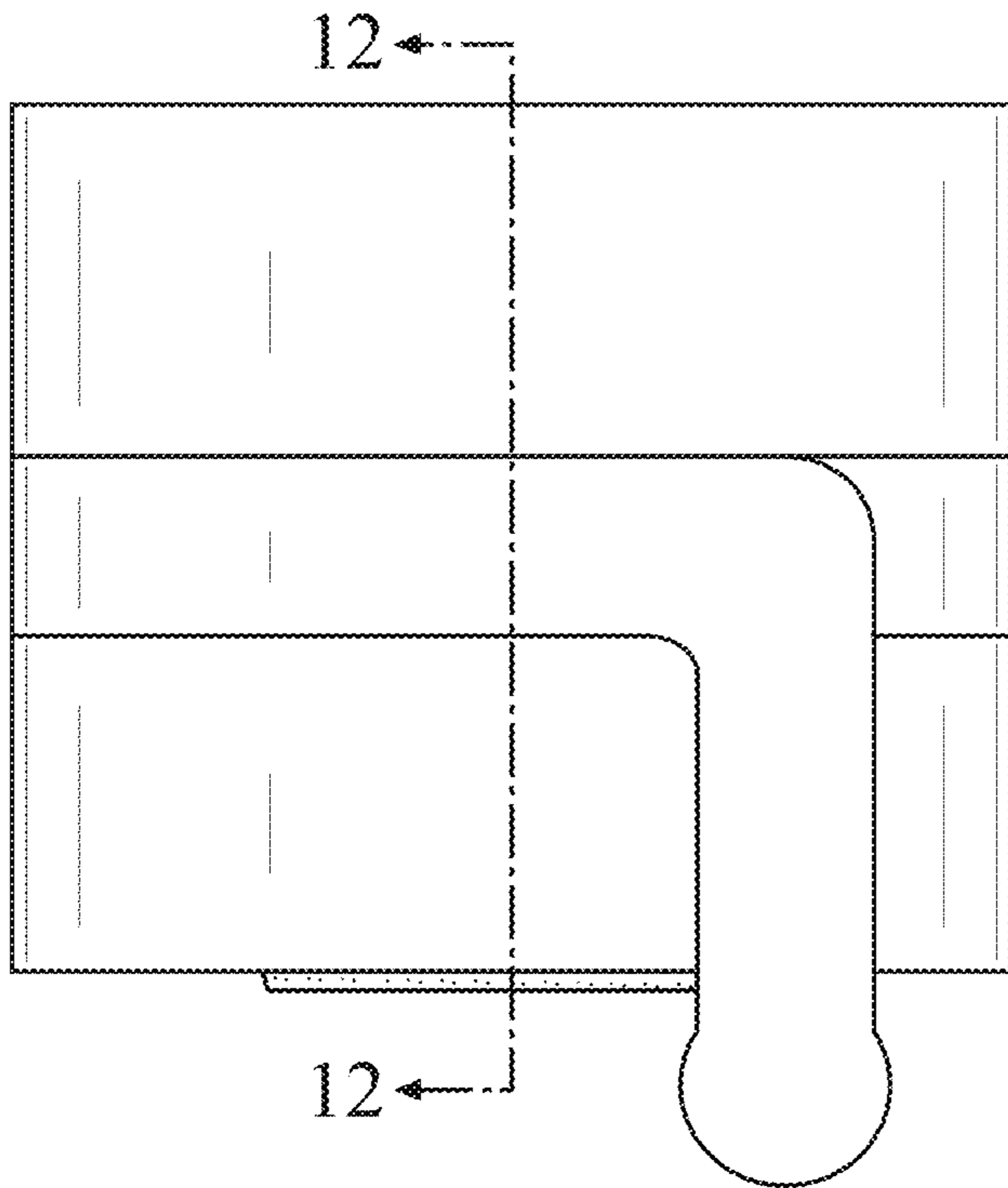


**FIG. 9**

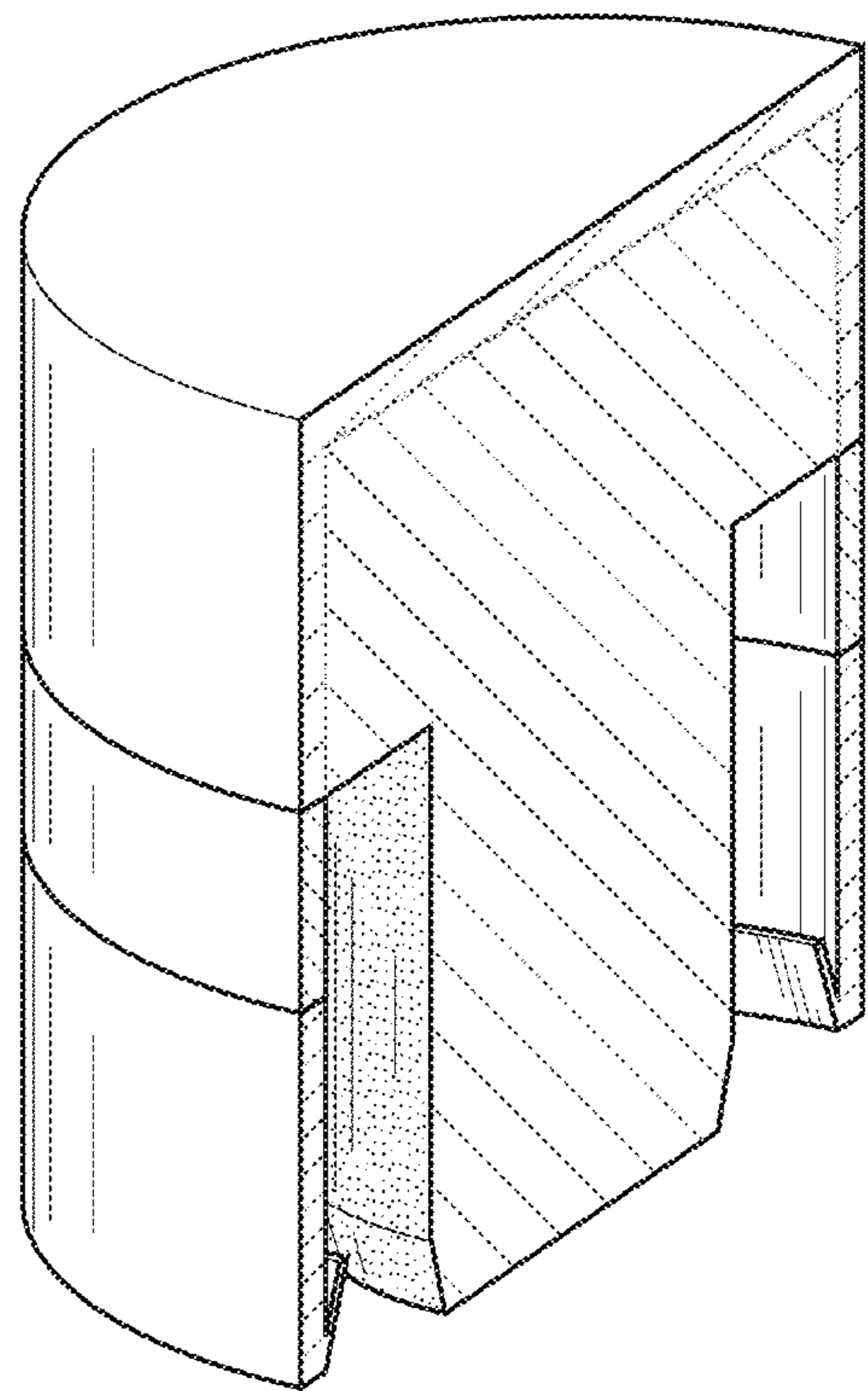


**FIG. 10**

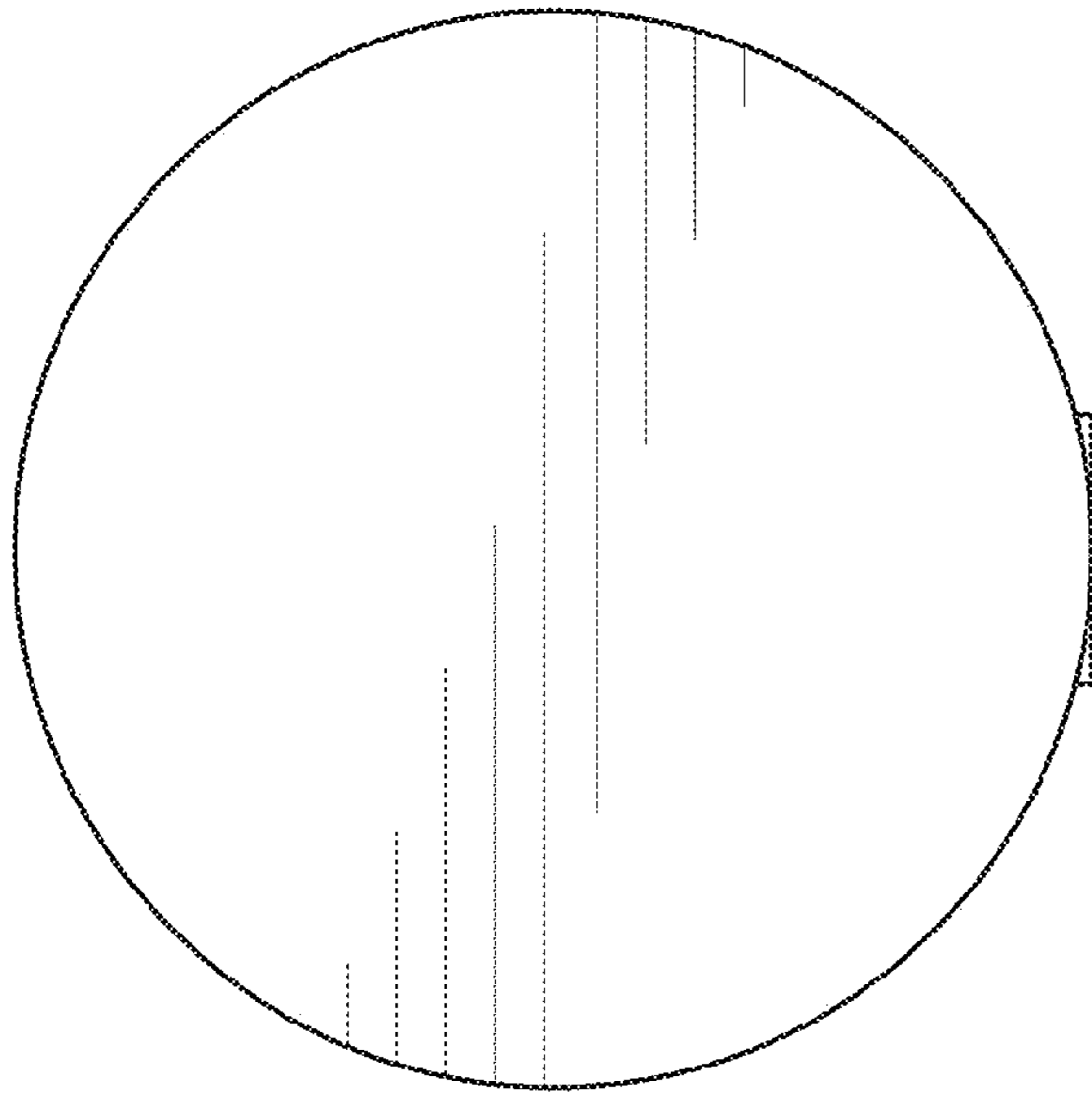




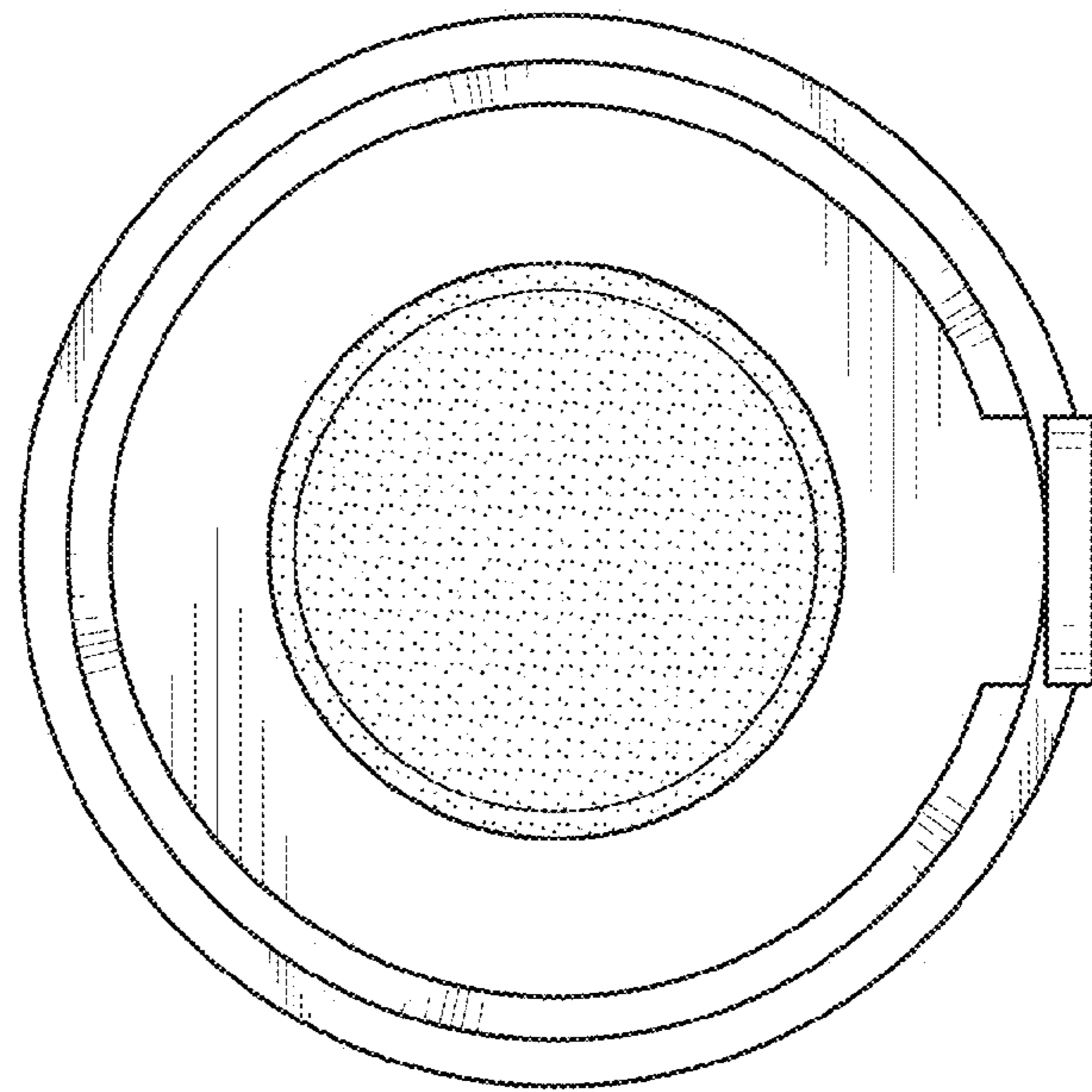
**FIG. 11**



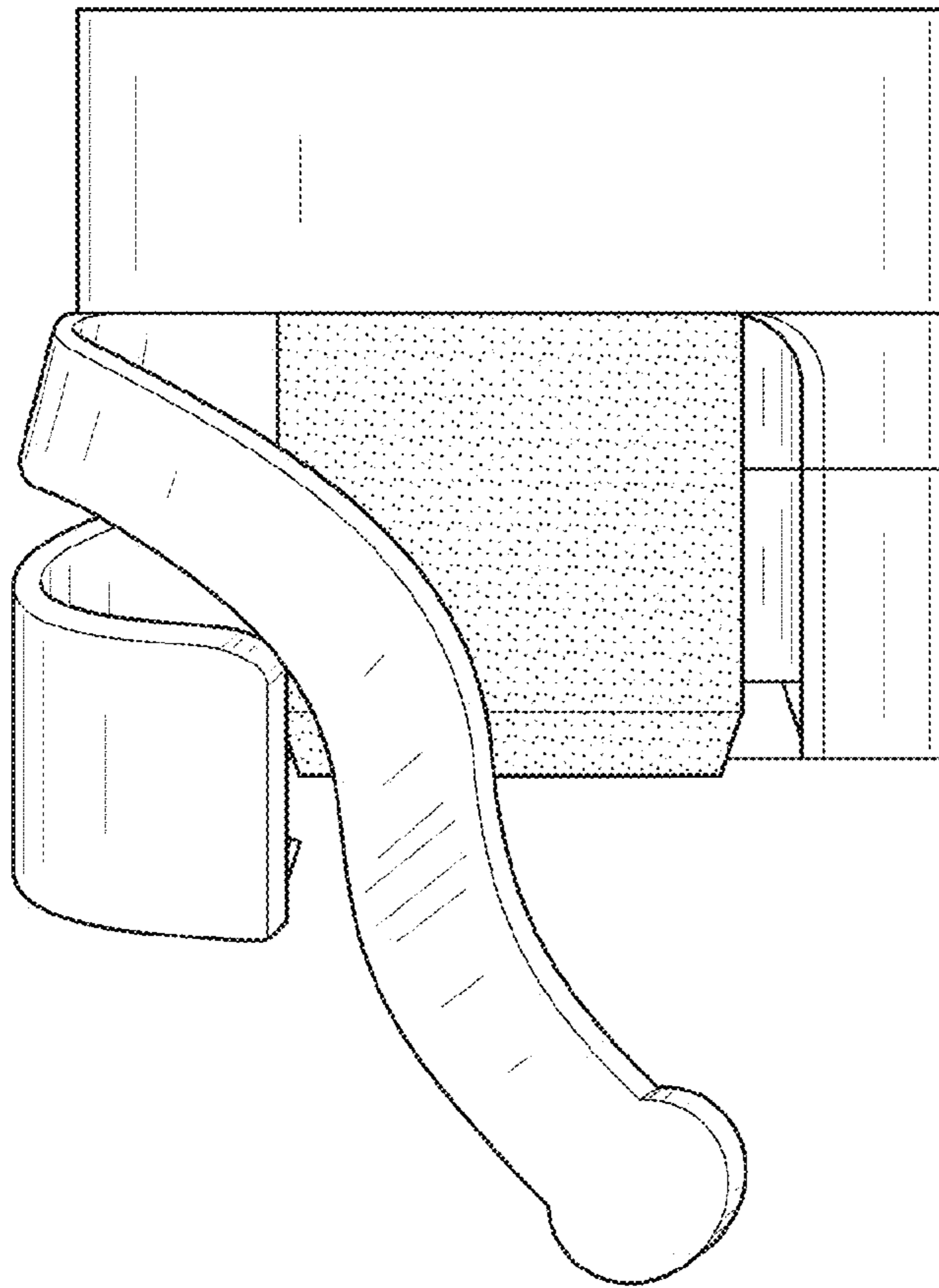
**FIG. 12**



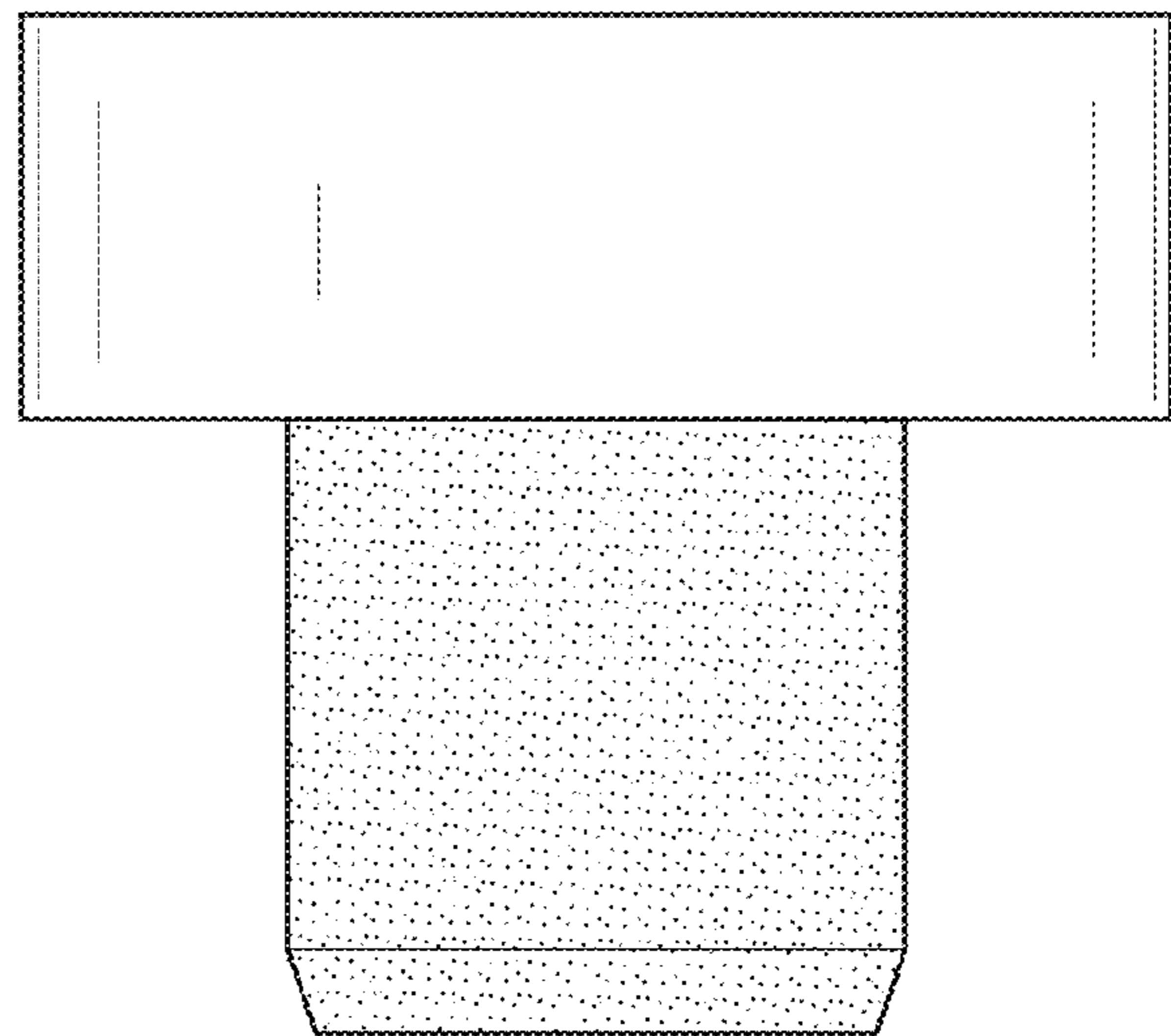
**FIG. 13**



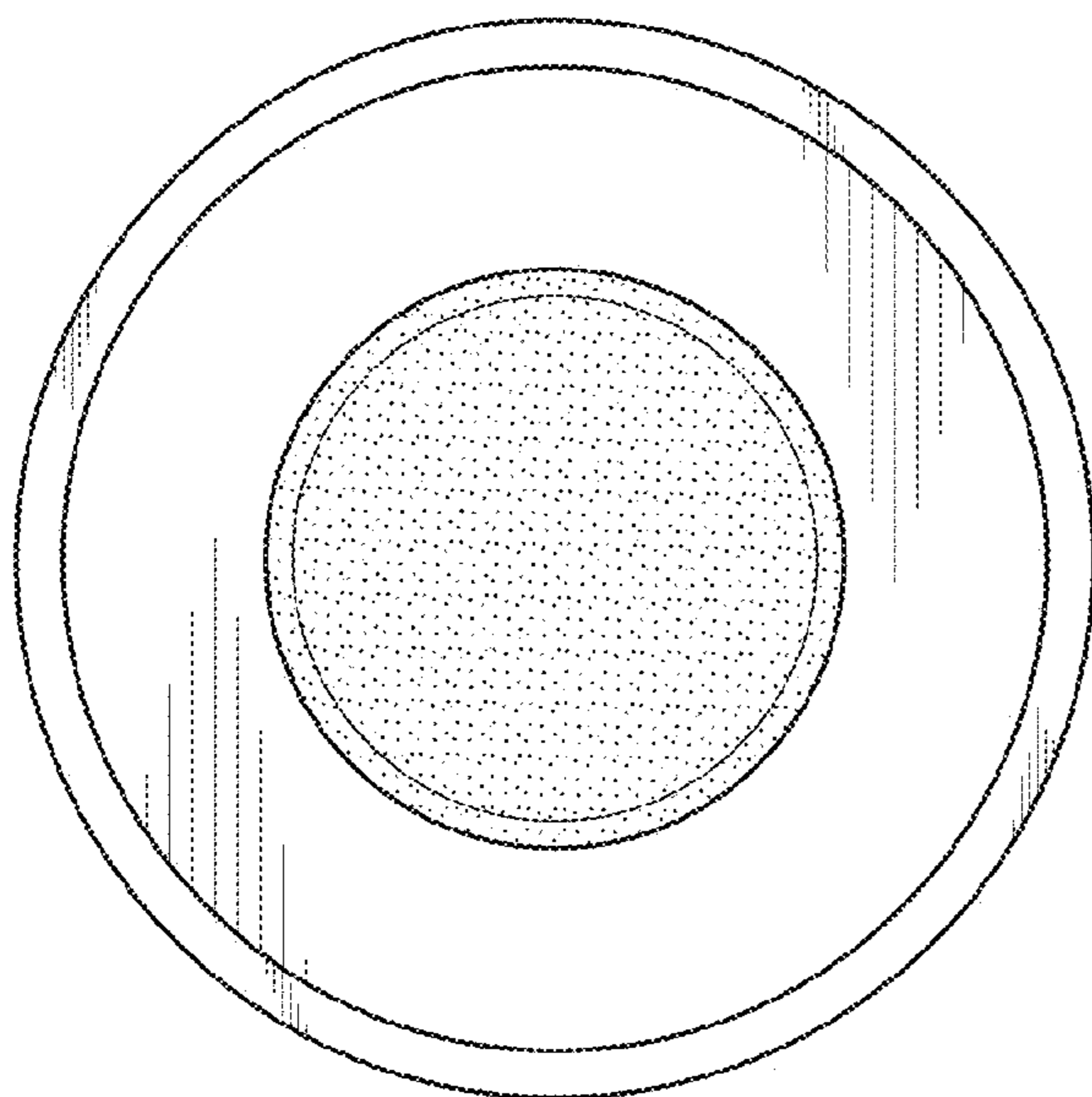
**FIG. 14**



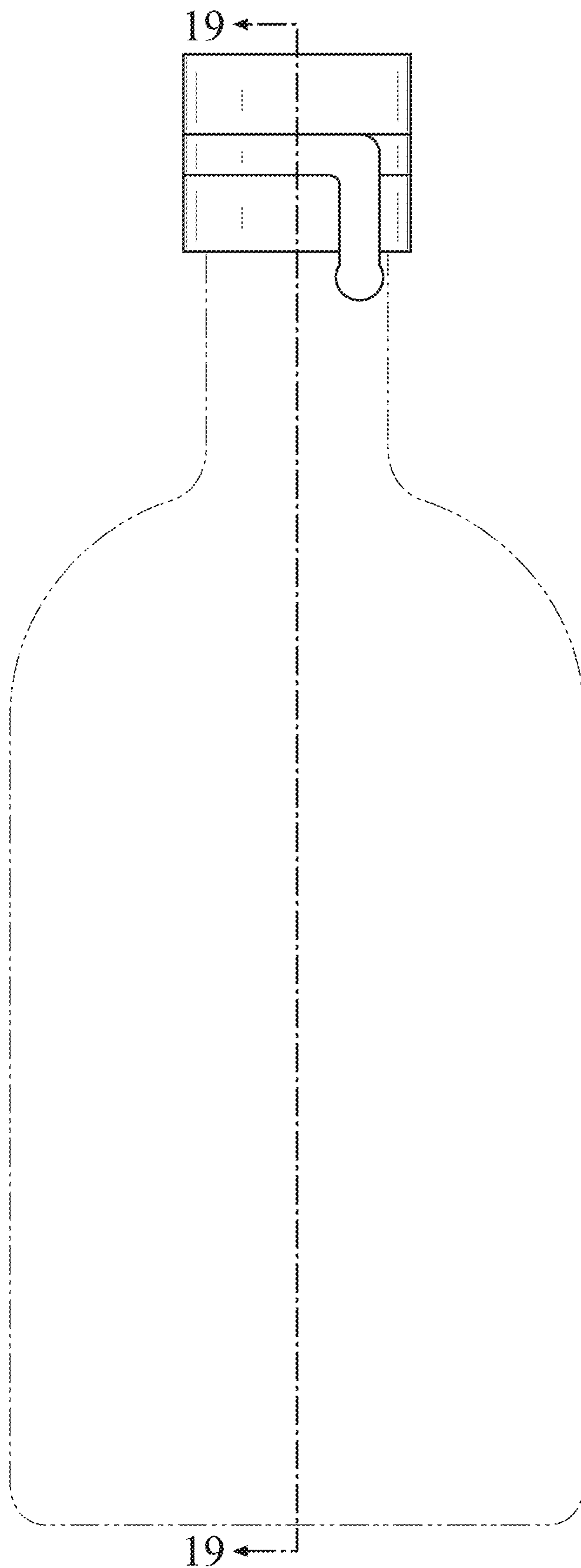
**FIG. 15**



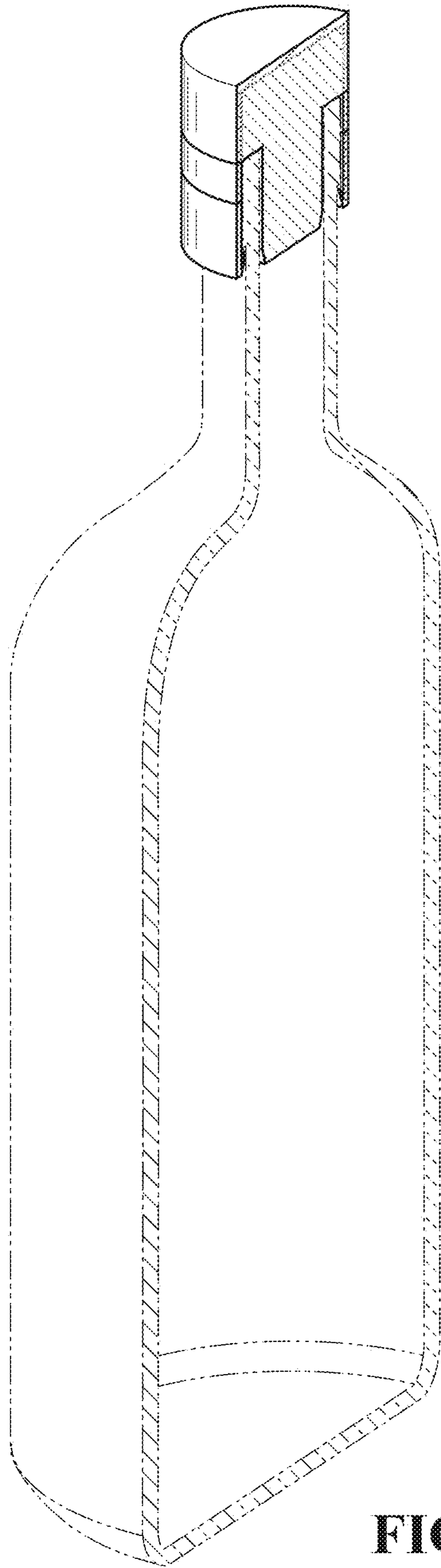
**FIG. 16**



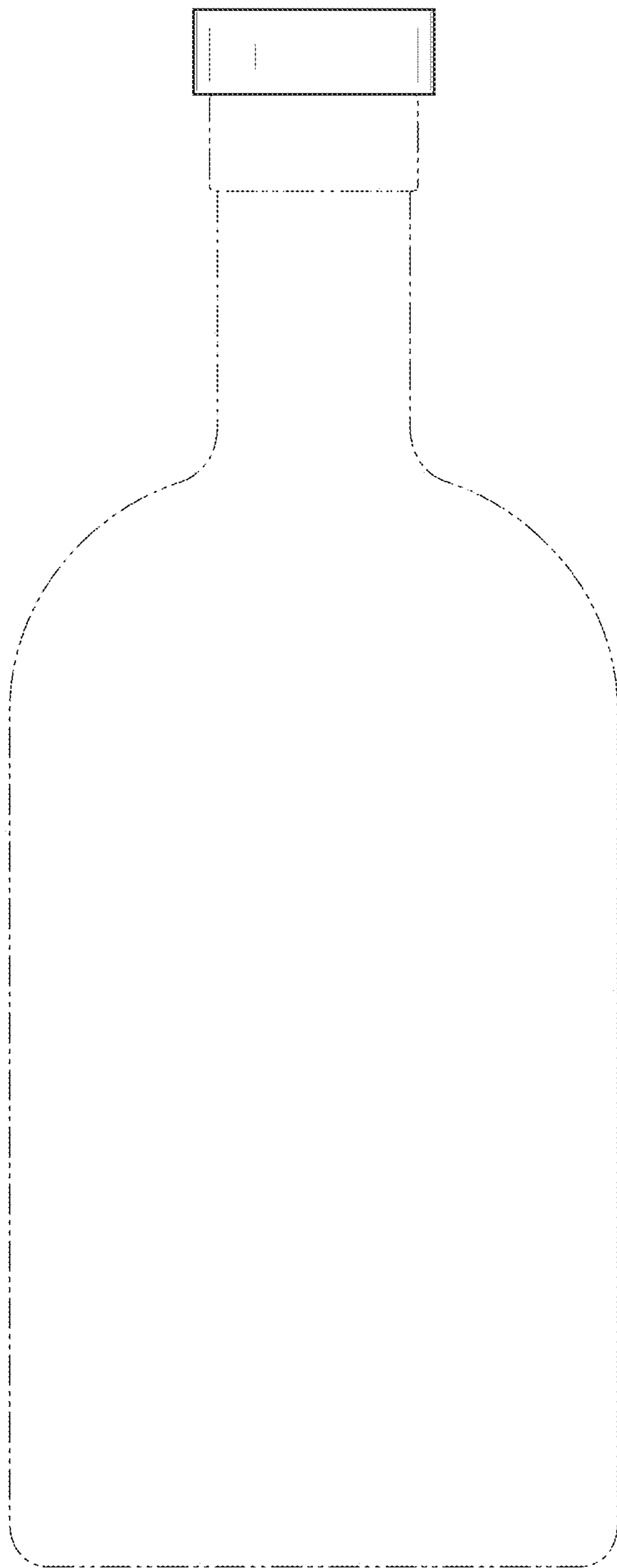
**FIG. 17**



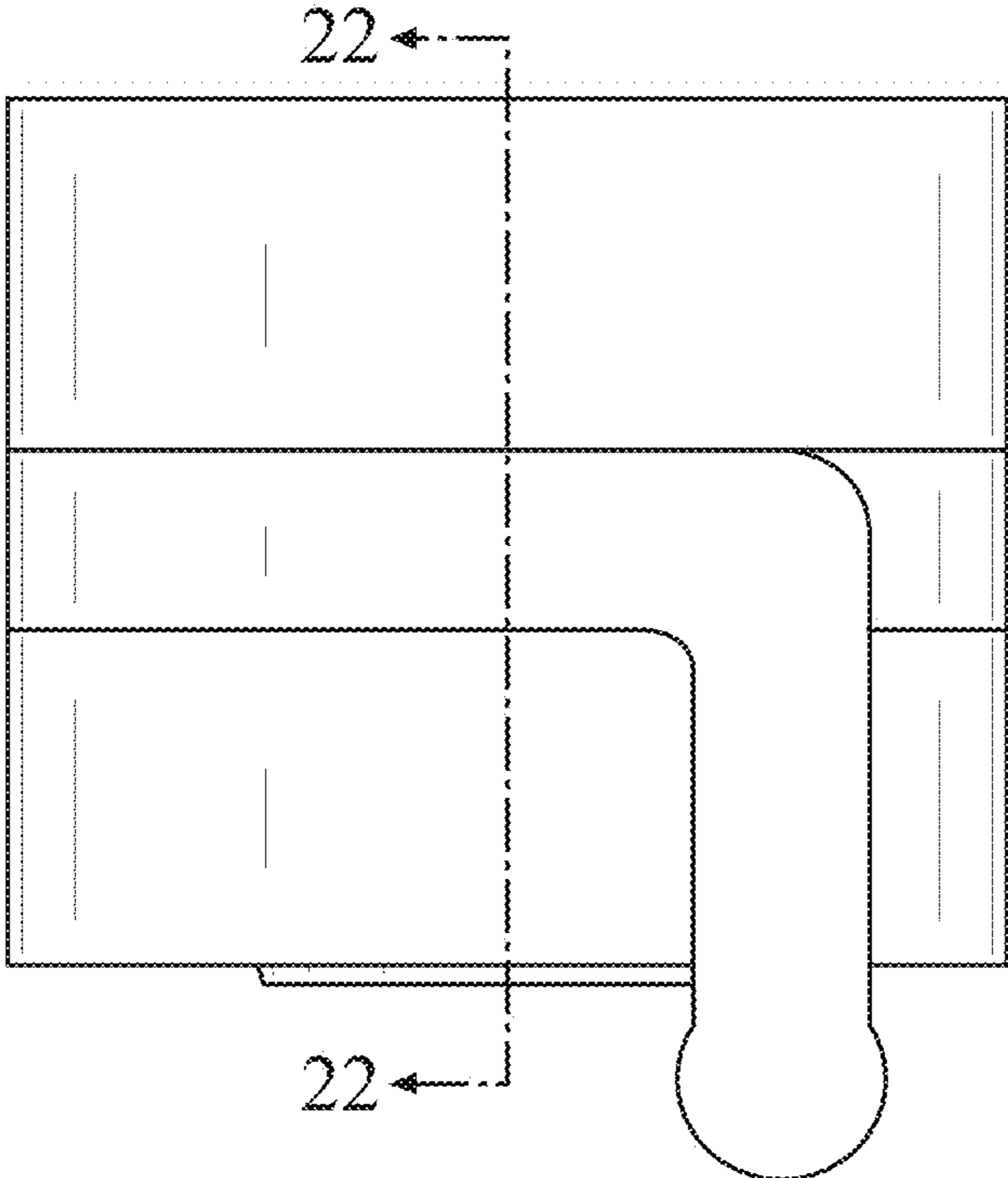
19 ←  
**FIG. 18**



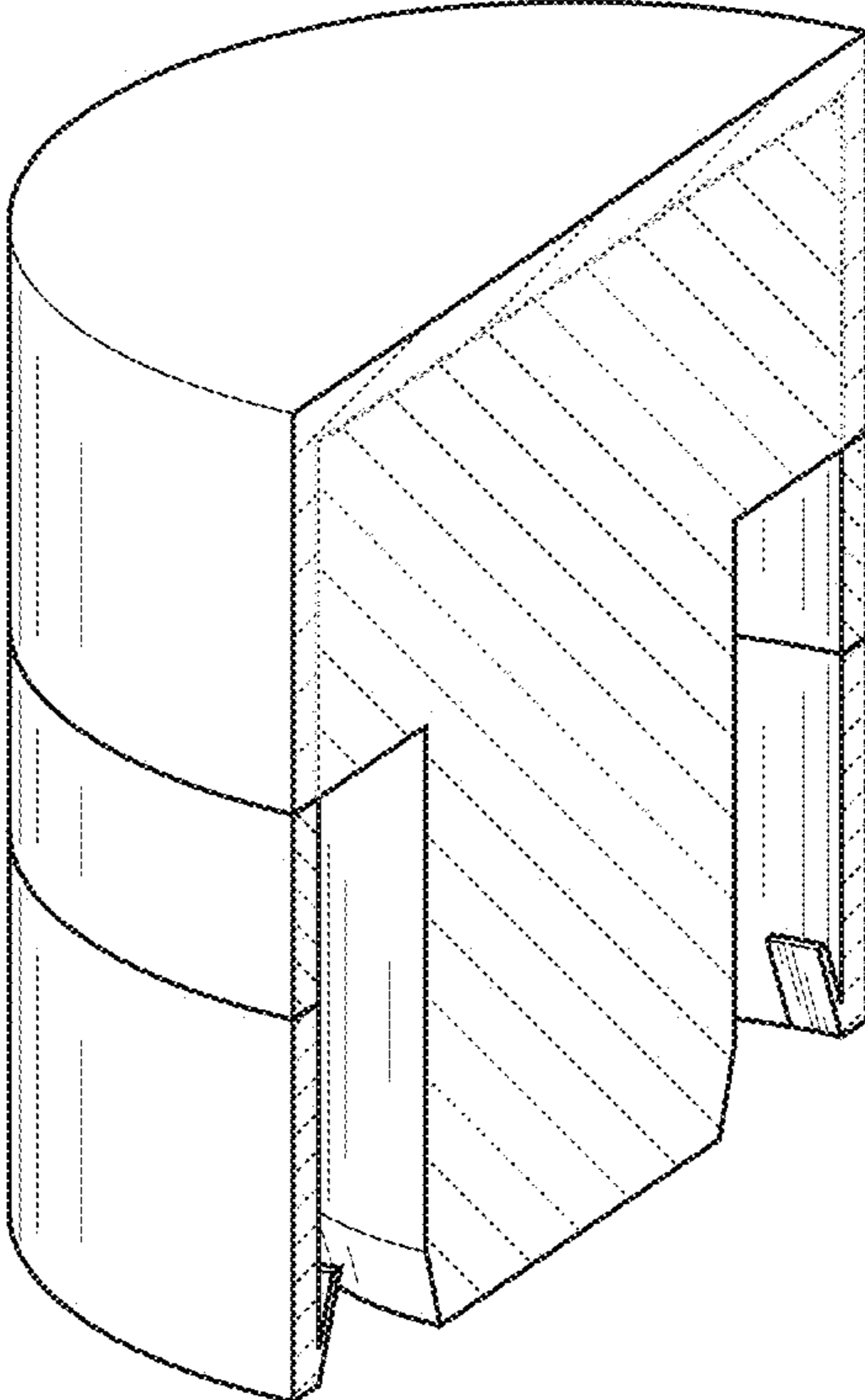
**FIG. 19**



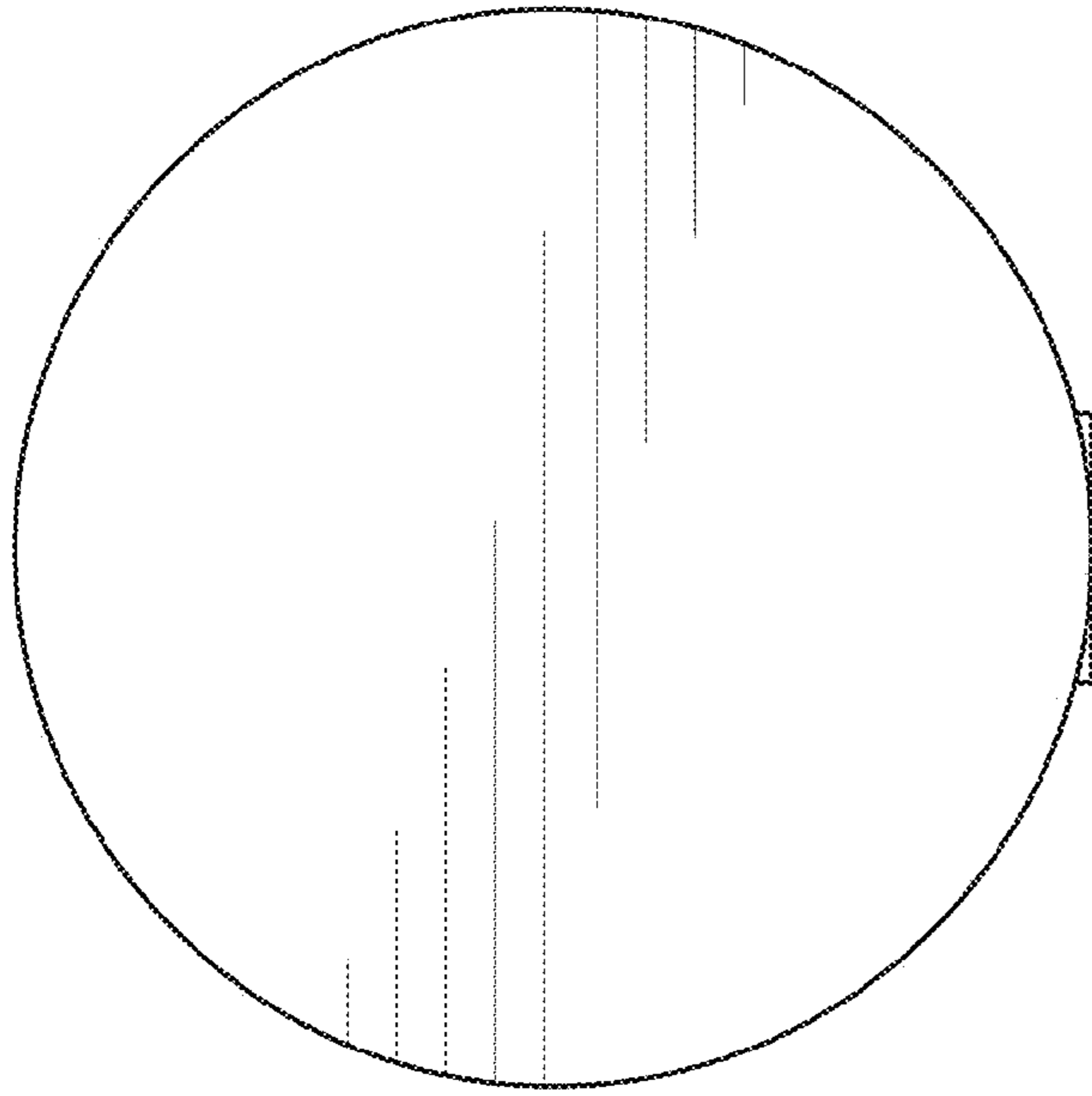
**FIG. 20**



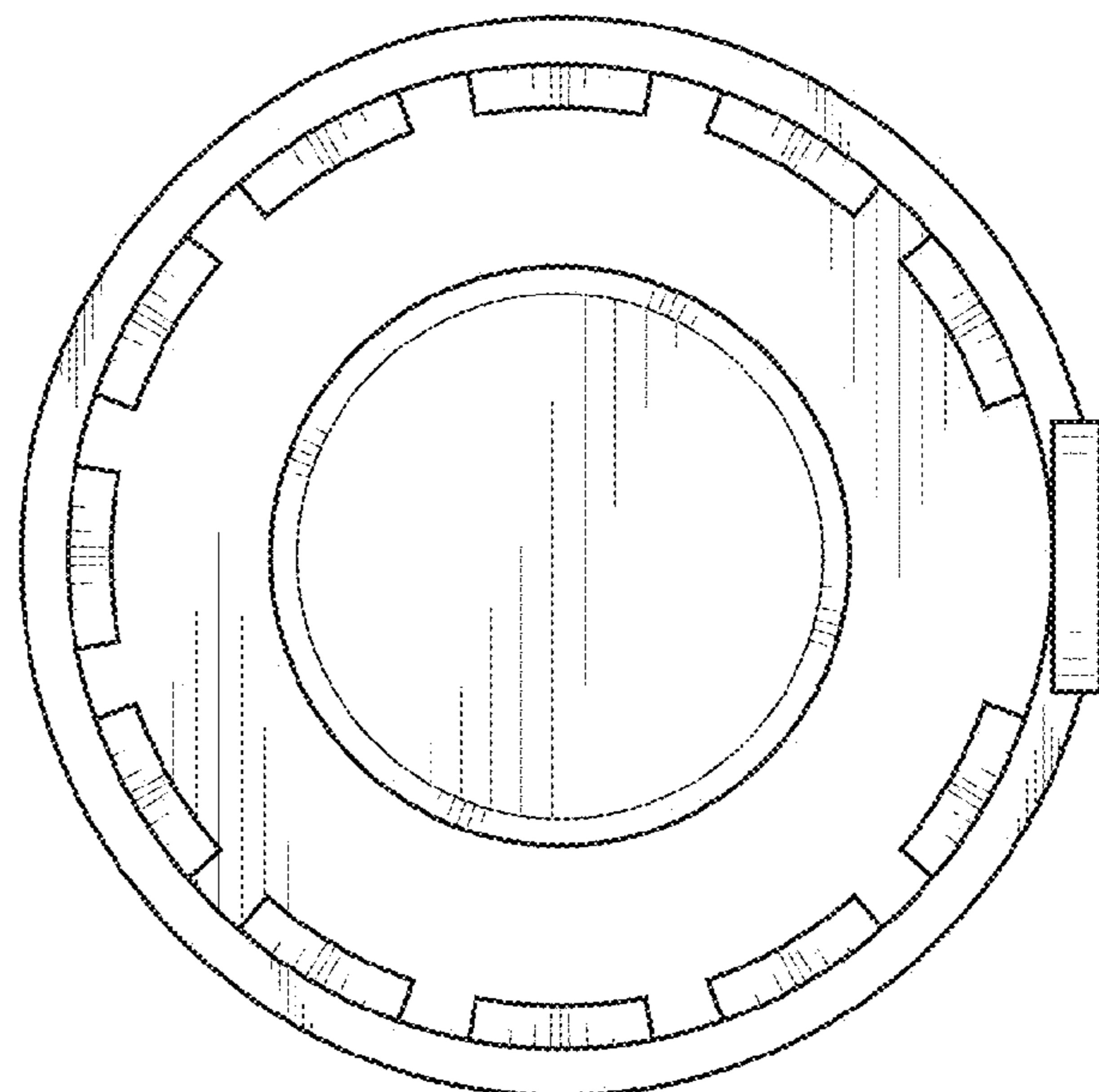
**FIG. 21**



**FIG. 22**

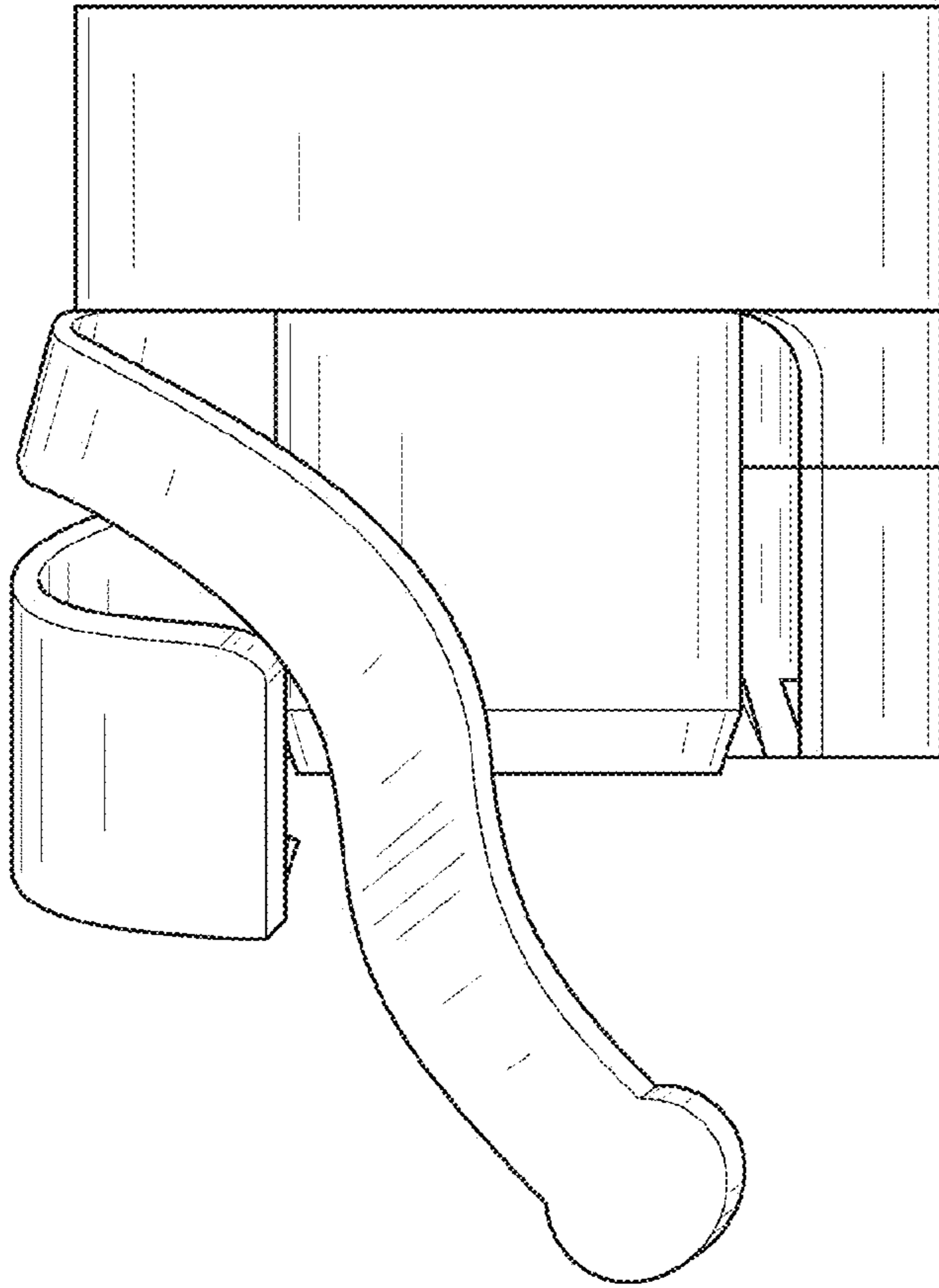


**FIG. 23**

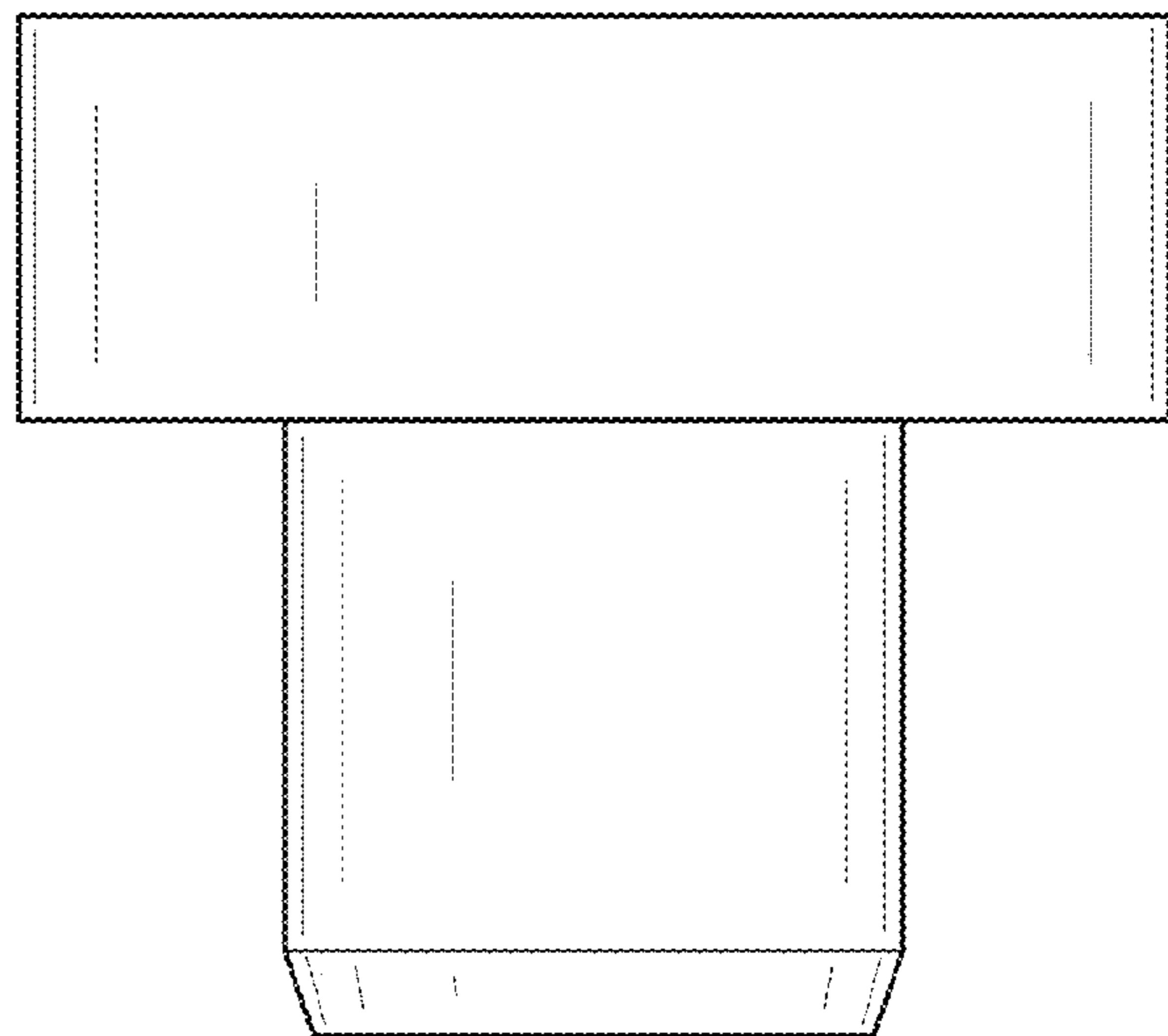


**FIG. 24**

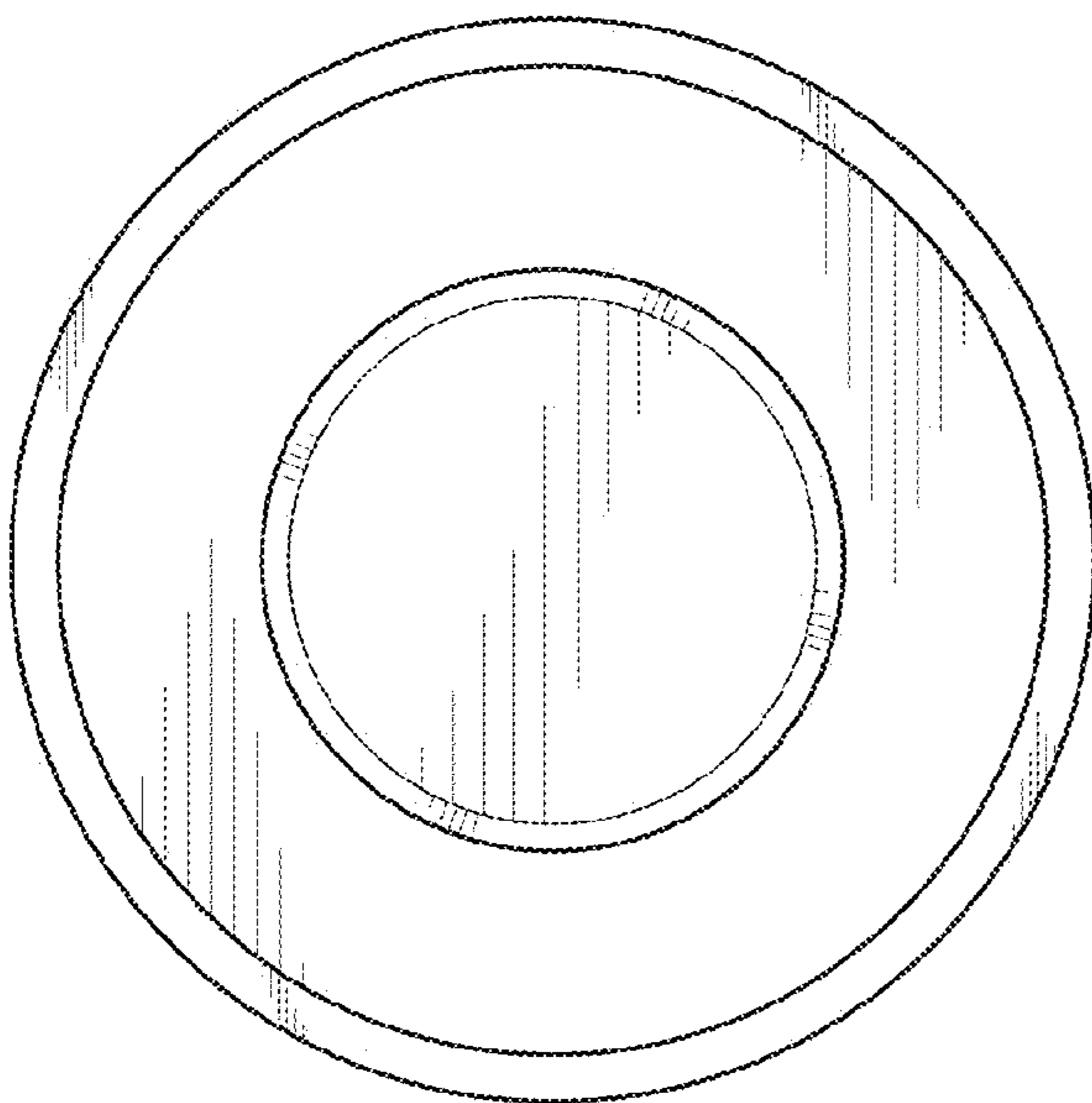




**FIG. 25**



**FIG. 26**



**FIG. 27**

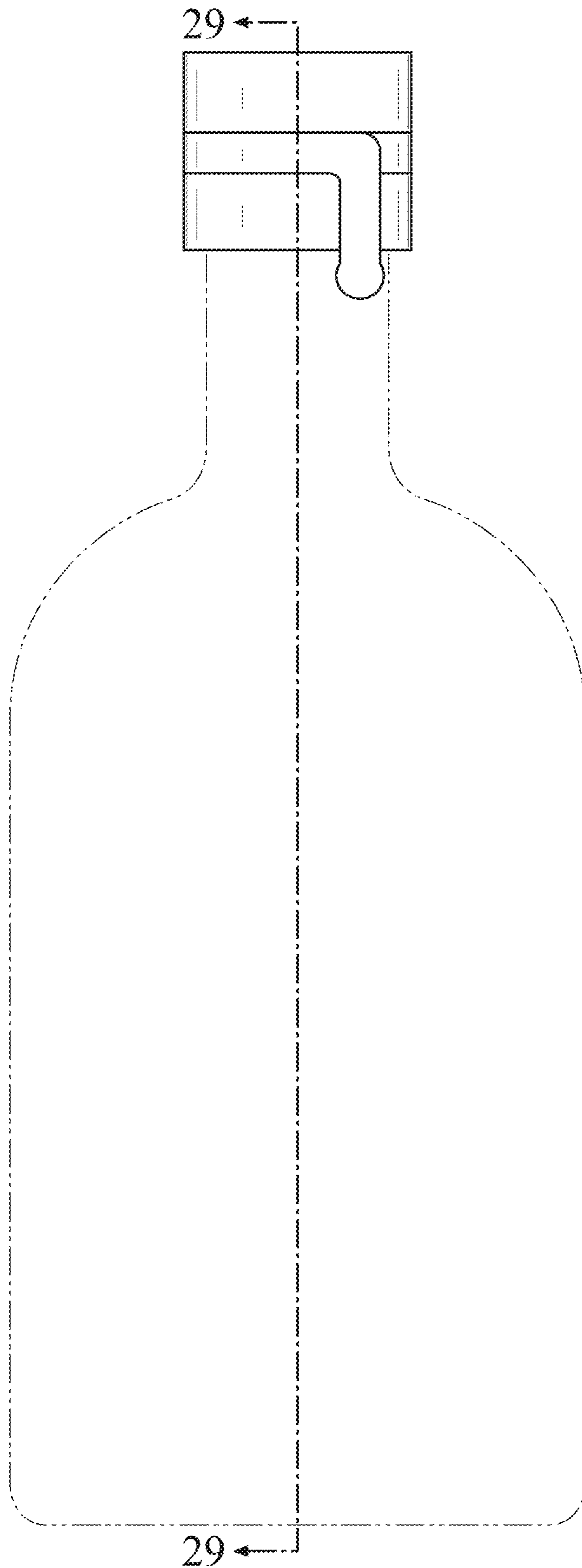
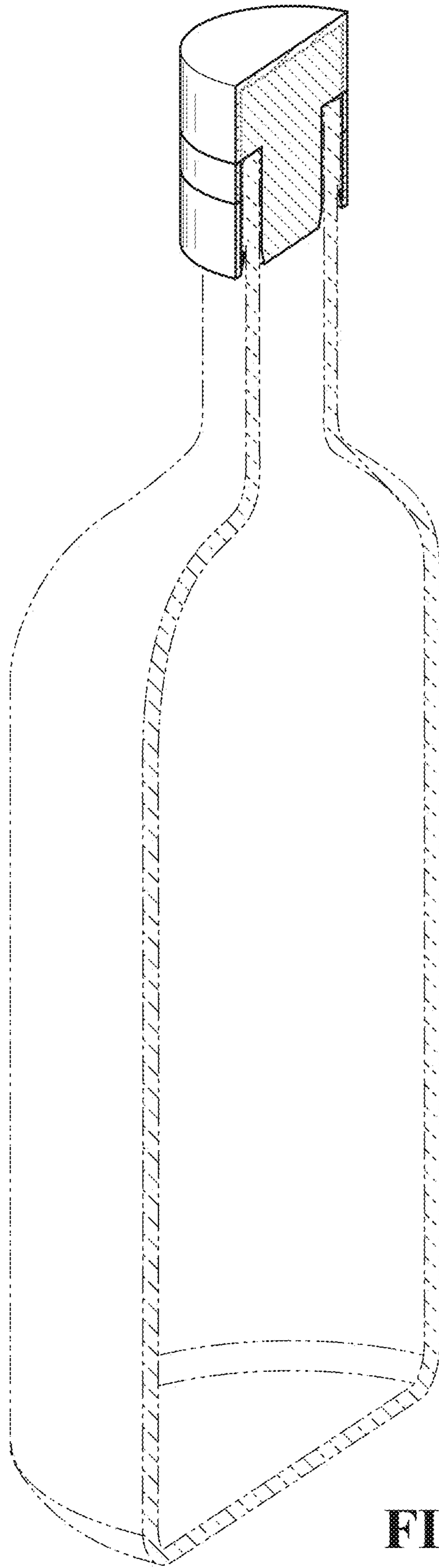
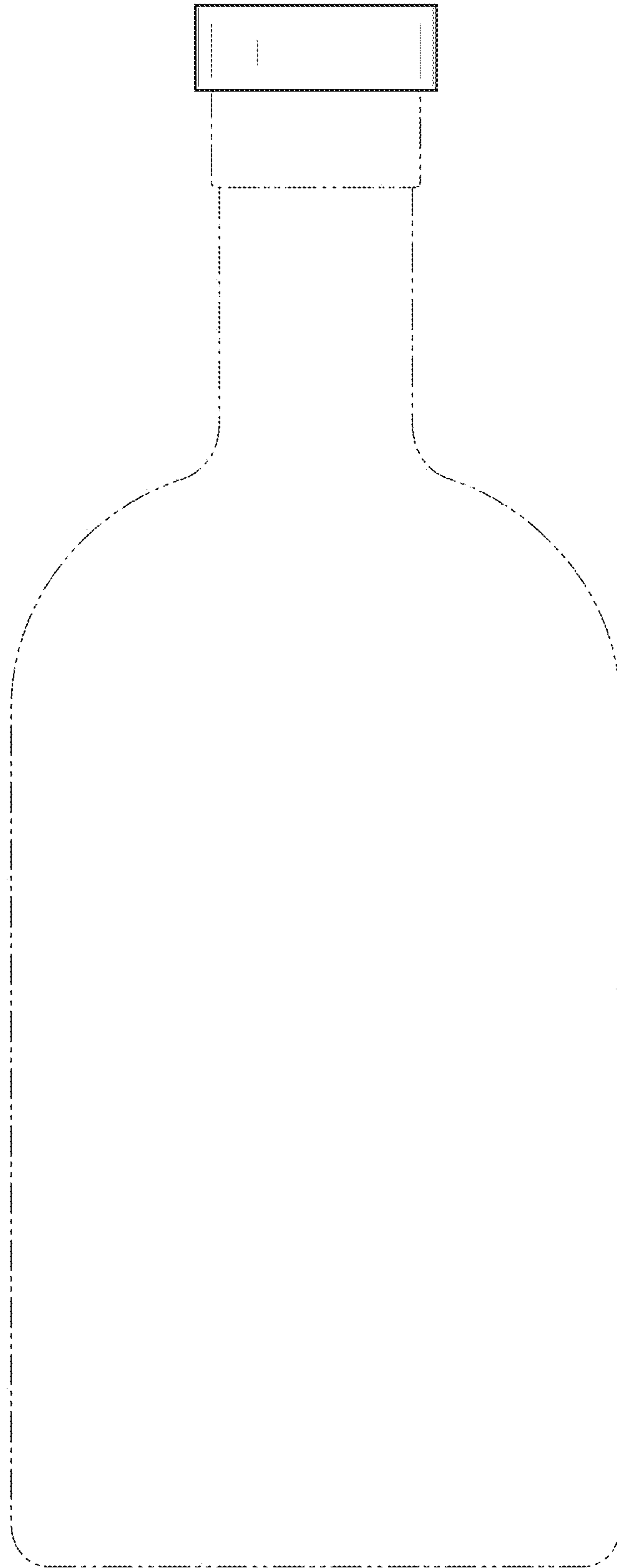


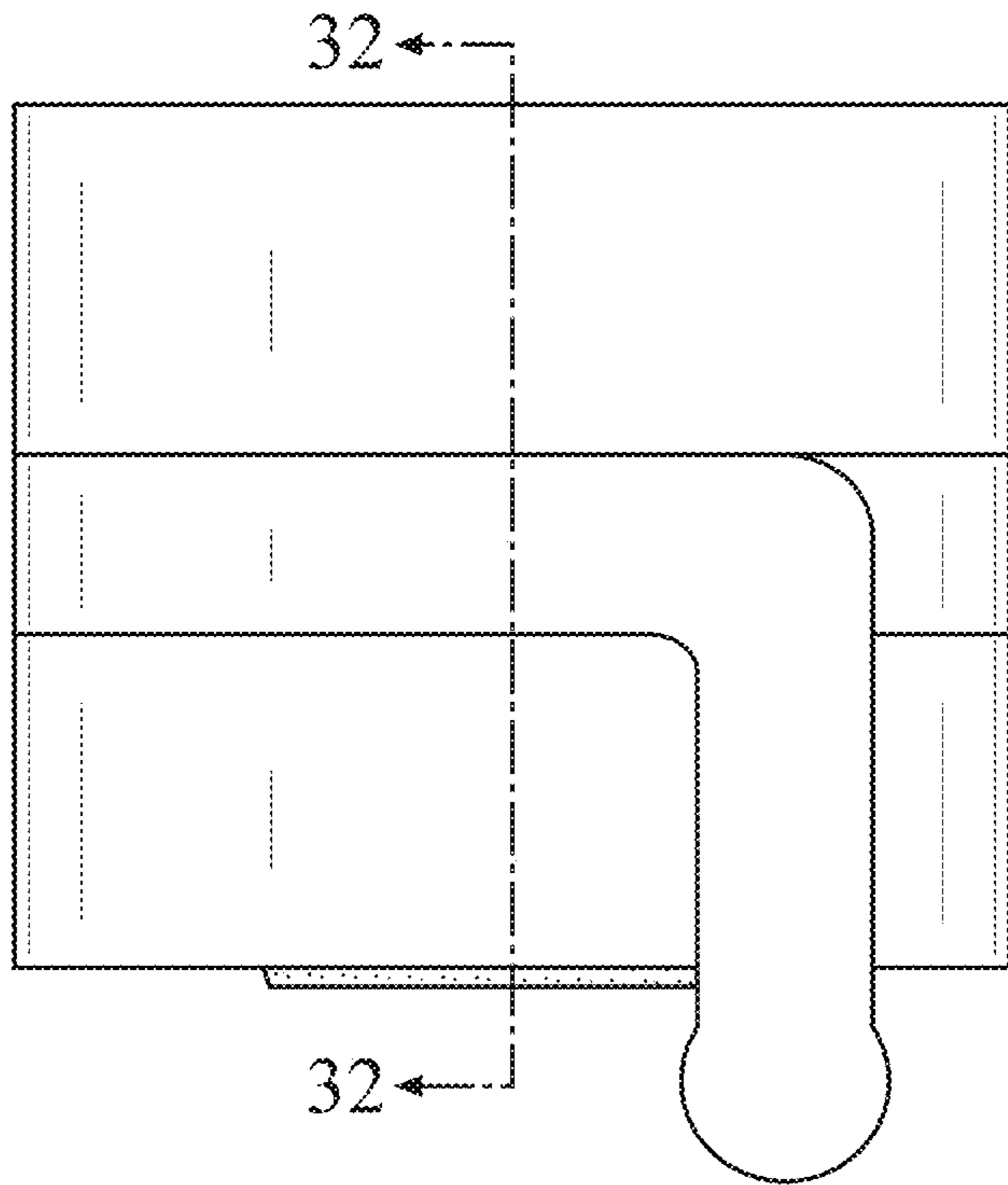
FIG. 28



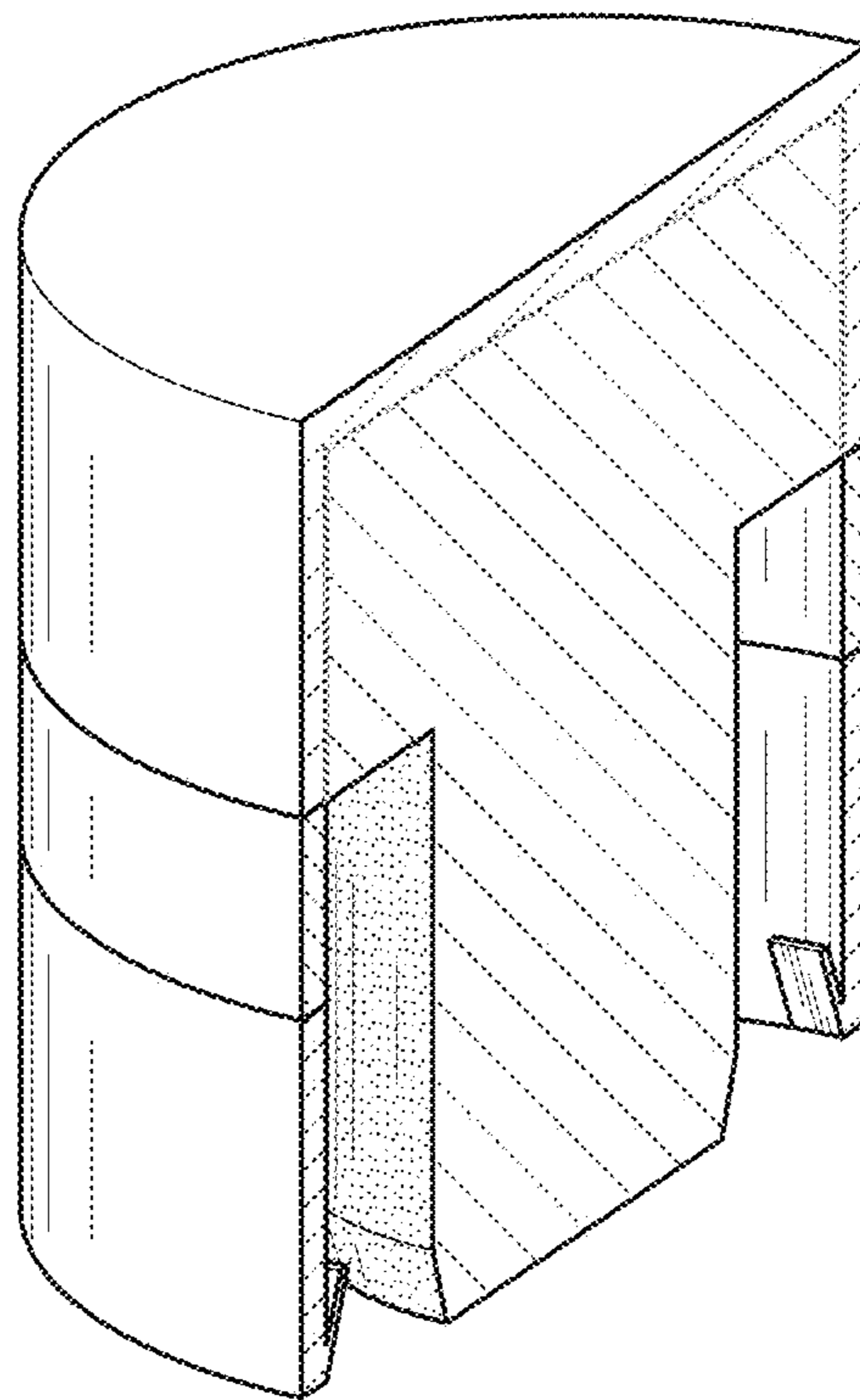
**FIG. 29**



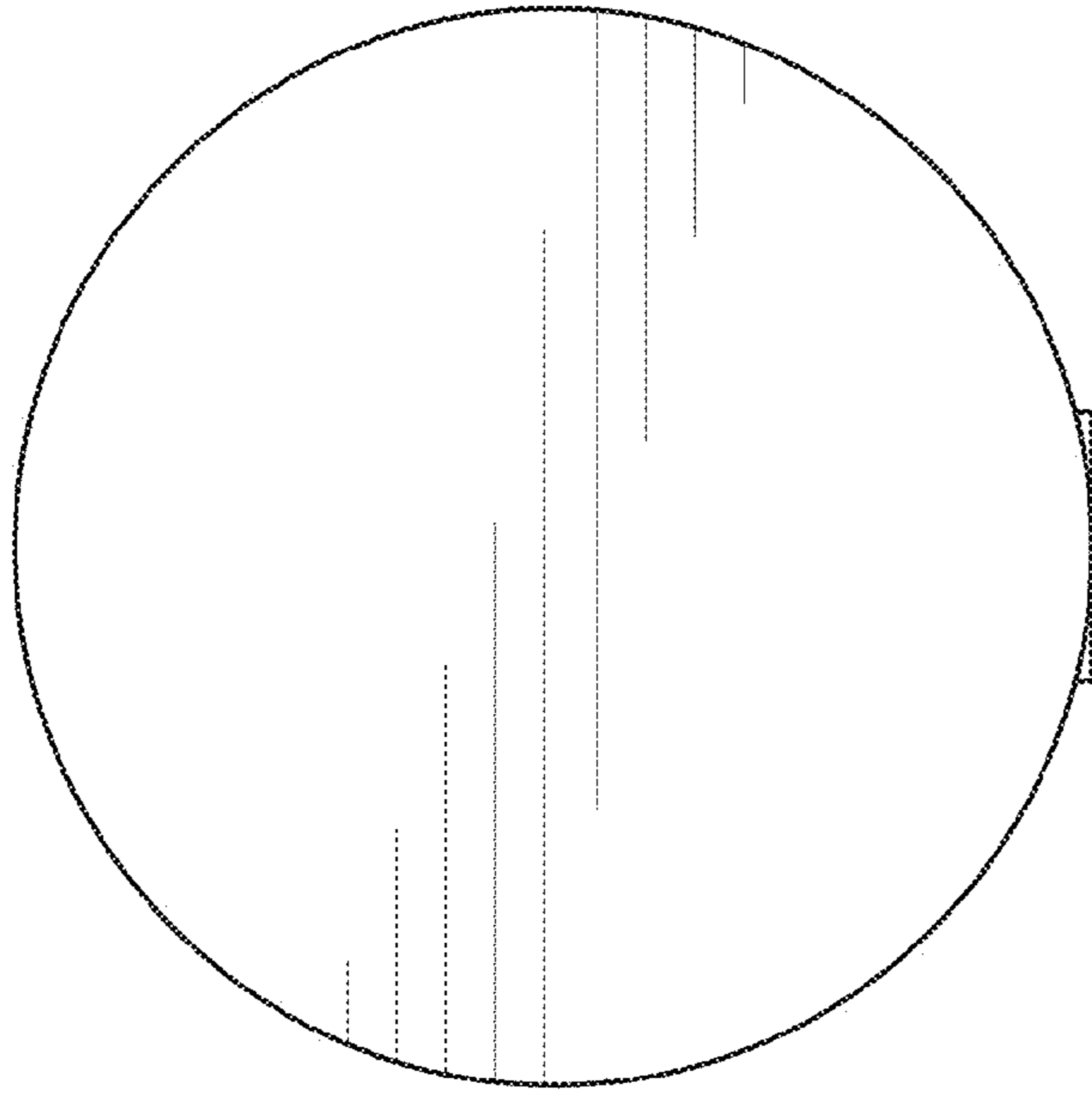
**FIG. 30**



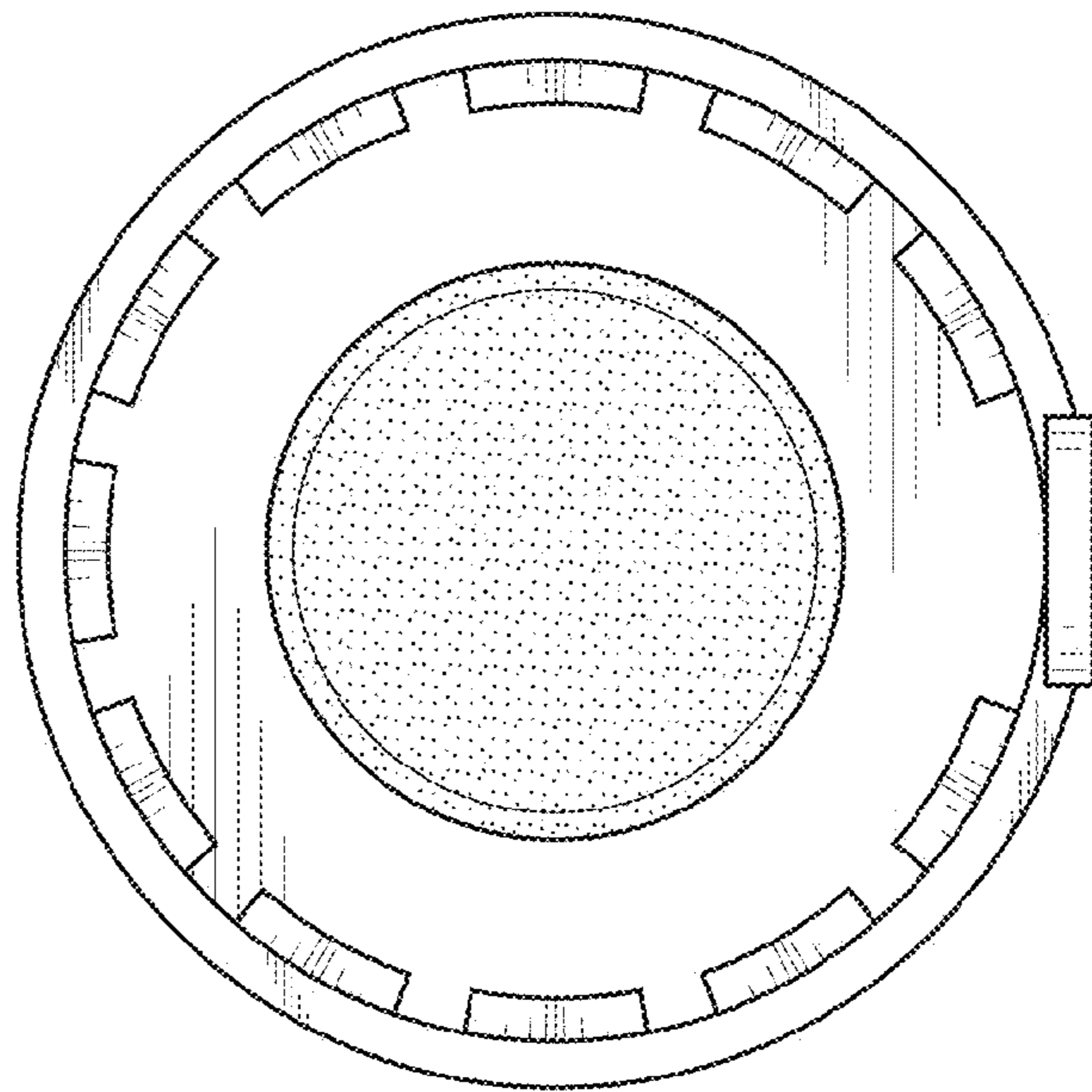
**FIG. 31**



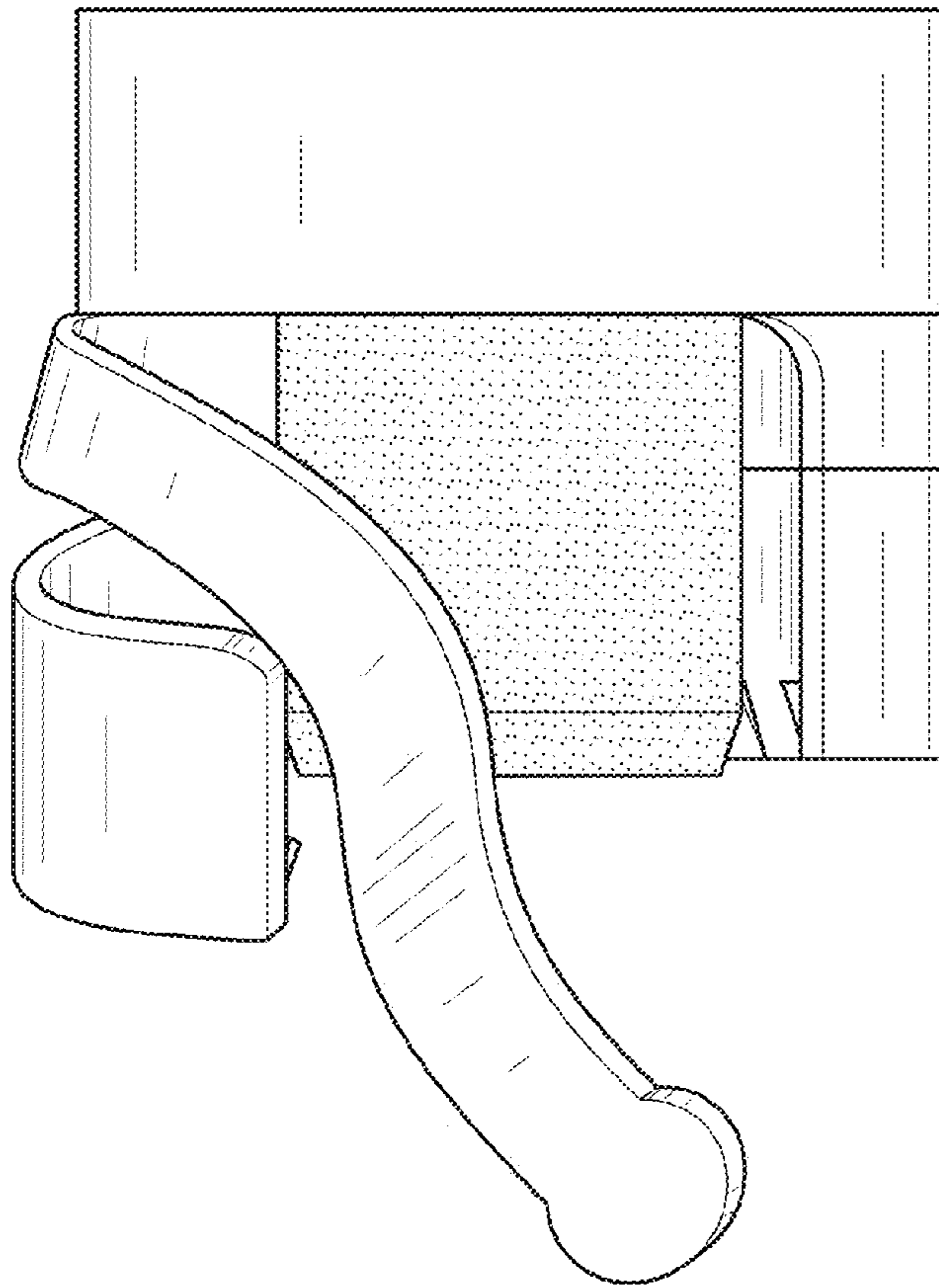
**FIG. 32**



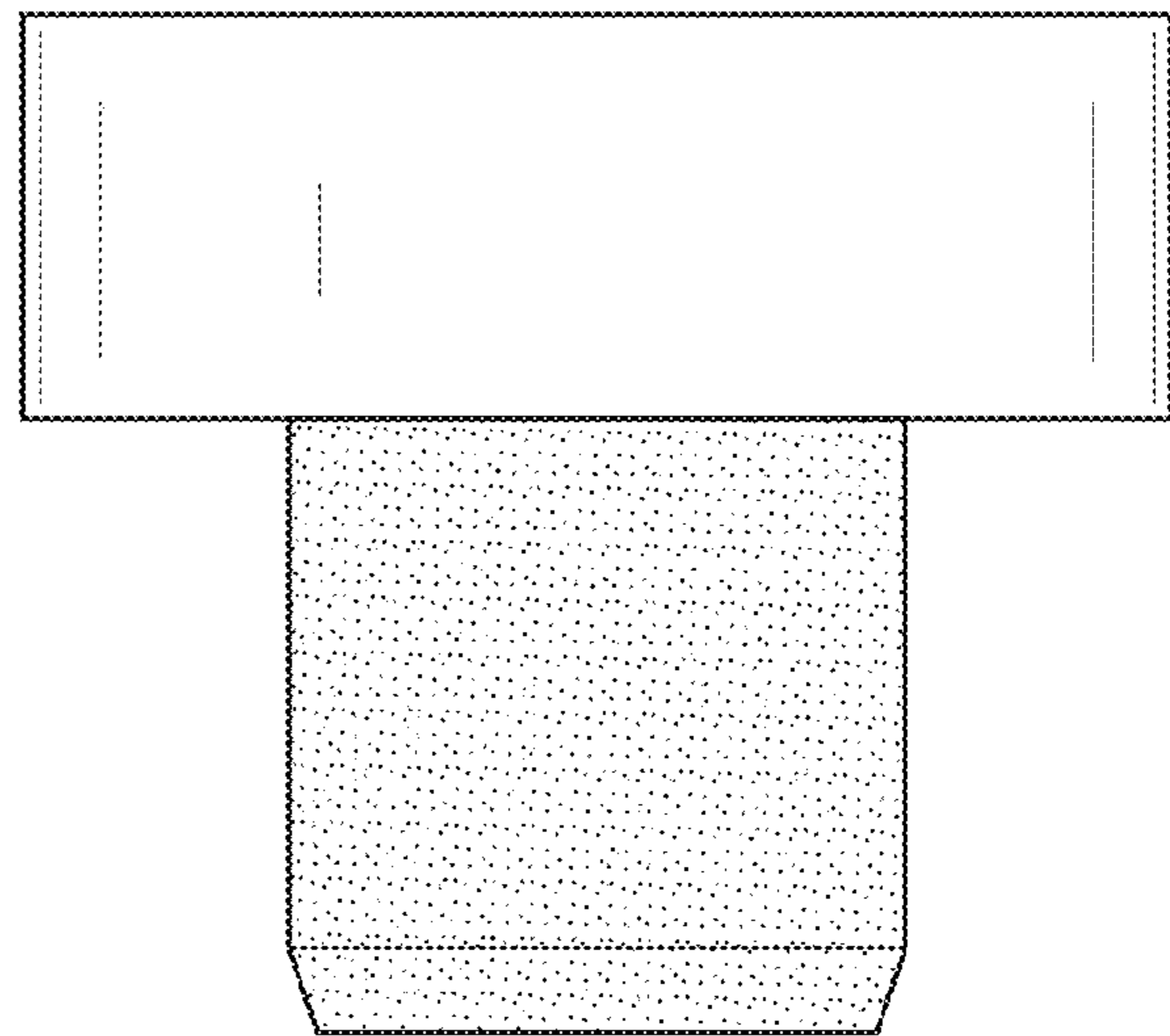
**FIG. 33**



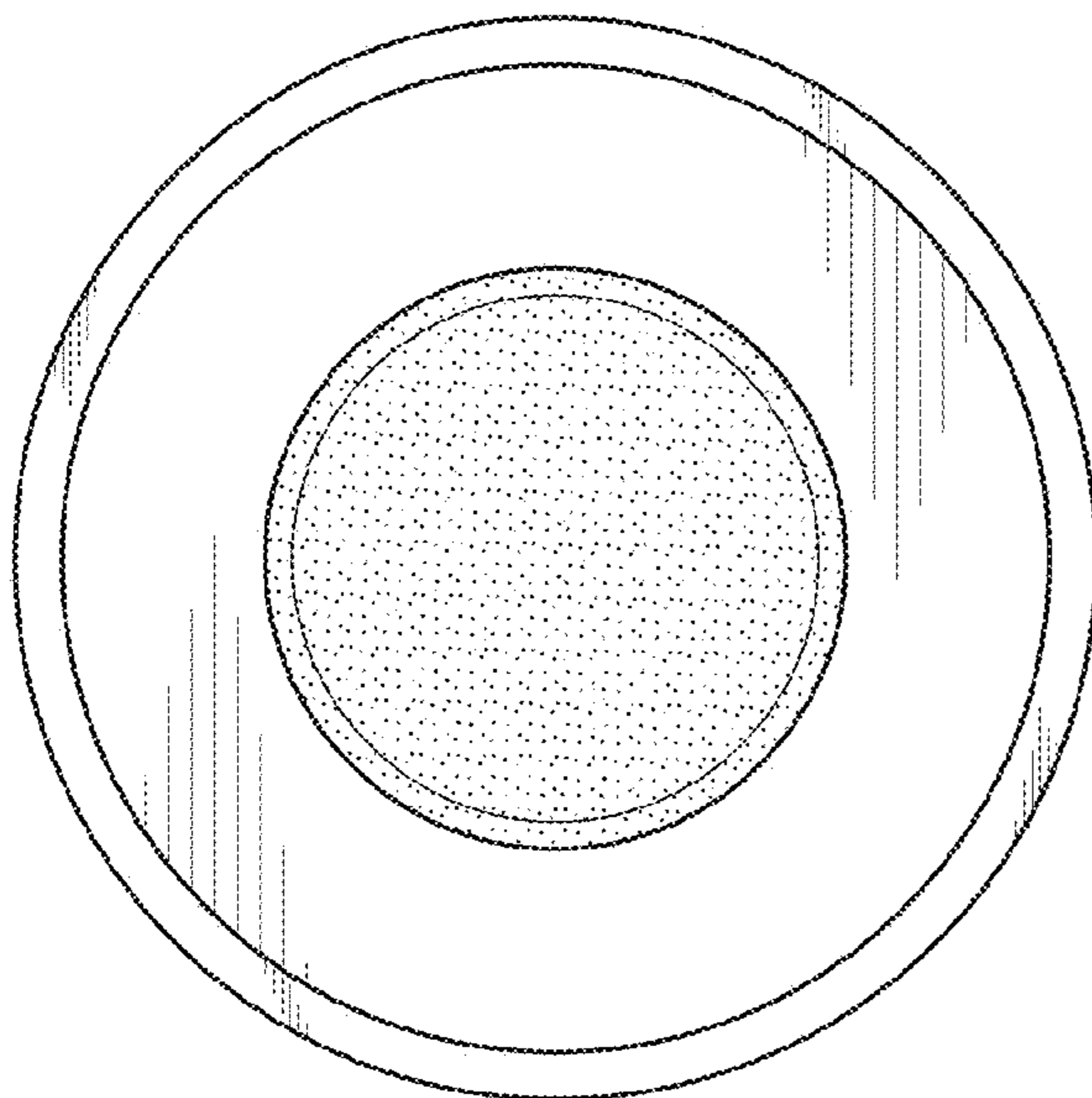
**FIG. 34**



**FIG. 35**



**FIG. 36**



**FIG. 37**

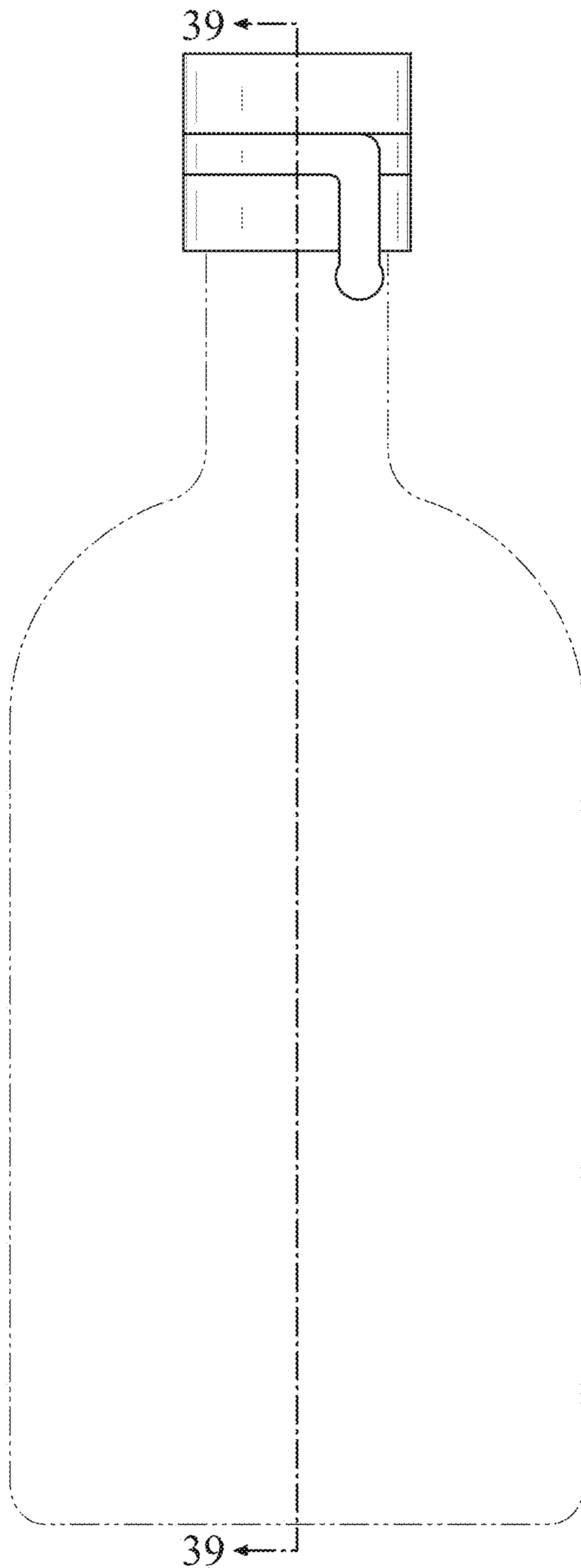
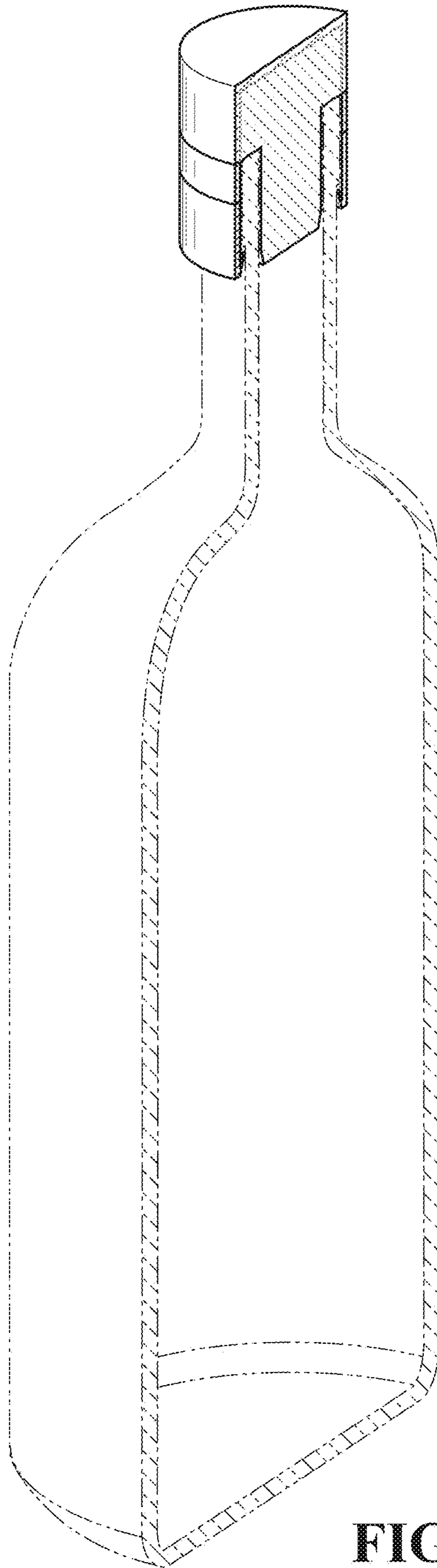
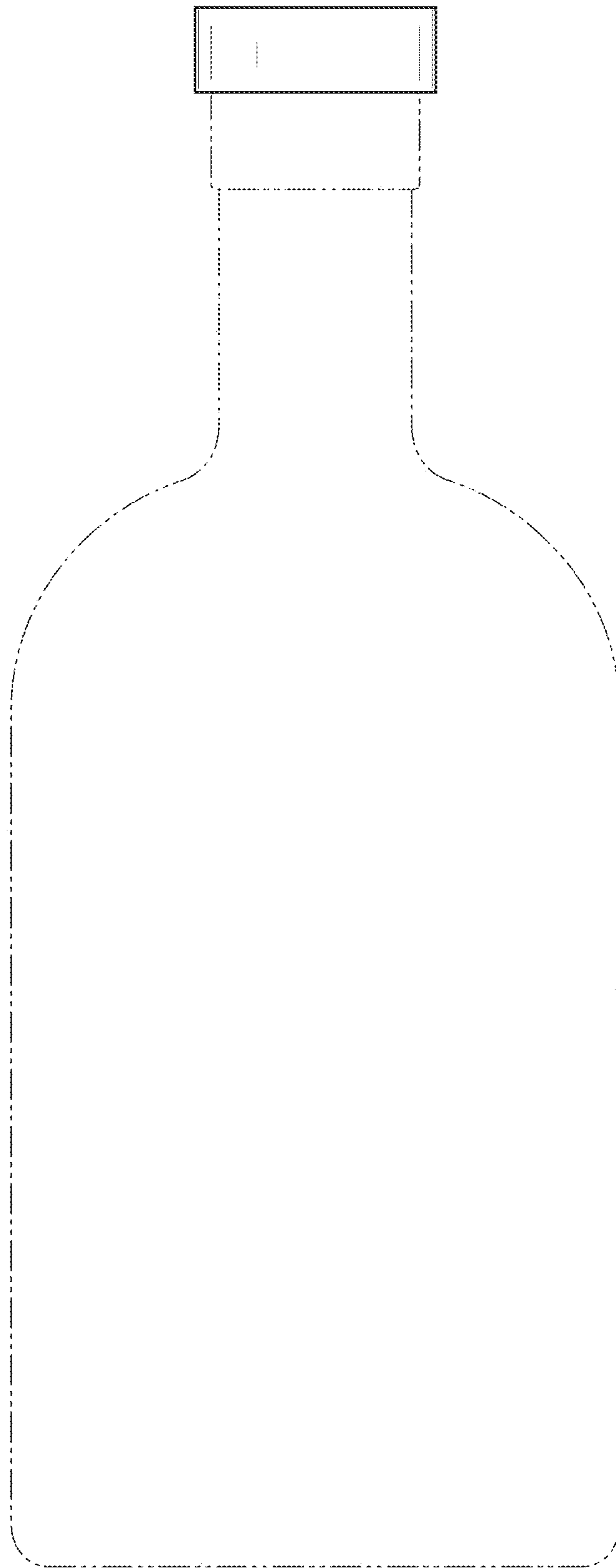


FIG. 38





**FIG. 39**



**FIG. 40**