



US00D969606S

(12) **United States Design Patent** (10) **Patent No.:** **US D969,606 S**
Palazzolo (45) **Date of Patent:** **** Nov. 15, 2022**

(54) **LID**

(71) Applicant: **Gregg Palazzolo**, Ada, MI (US)

(72) Inventor: **Gregg Palazzolo**, Ada, MI (US)

(**) Term: **15 Years**

(21) Appl. No.: **29/766,222**

(22) Filed: **Jan. 14, 2021**

(51) **LOC (13) Cl.** **09-07**

(52) **U.S. Cl.**

USPC **D9/436**

(58) **Field of Classification Search**

USPC D3/201, 273, 318, 319, 323; D7/505,
D7/507, 509, 511, 601, 602, 387, 391,
D7/392, 396.1, 396.2, 396; D9/723, 724,
D9/434, 435, 436, 439, 440, 442, 447,
D9/454, 455, 456; D23/206, 238, 249,
D23/259, 260

CPC B65D 51/28; B65D 41/56; B65D 43/01;
B65D 43/0212; B65D 47/08; B65D
21/0213; B65D 1/26; B65D 1/34; B65D
1/36; B65D 21/083; B65D 25/06; B65D
25/2891; B65D 55/16; A47G 19/2211;
A47G 19/22; A47G 19/06; A47G
19/2222; A45F 3/16; B67C 11/02

See application file for complete search history.

(56) **References Cited**

U.S. PATENT DOCUMENTS

3,288,344	A	11/1966	Woollen et al.	
3,955,672	A *	5/1976	Brundage	A47G 19/065 220/8
4,057,167	A	11/1977	Lee	
D255,530	S *	6/1980	Daenen	D10/46.3
4,938,379	A	7/1990	Kellner	
5,253,781	A	10/1993	Van Melle et al.	
5,385,255	A	1/1995	Varano et al.	
5,722,558	A *	3/1998	Thompson	B65D 51/28 206/217
D397,911	S	9/1998	Waldmann	
6,202,542	B1	3/2001	Melton	
D456,212	S	4/2002	Bridges	

(Continued)

OTHER PUBLICATIONS

Exultimate 2 in 1 snack and drink cup lid: Announced [Feb. 10, 2021 (online). Site Visited [Jun. 14, 2022]. Available from Internet URL: https://www.amazon.com/Exultimate-Snack-Drink-Tumbler-Plastic/dp/B08WG52PFL/ref=sr_1_123?keywords=snack+cups&qid=1654879377&sr=8-123.*

(Continued)

Primary Examiner — Catherine S Posthauer

(74) *Attorney, Agent, or Firm* — King & Partners, PLC

(57) **CLAIM**

The ornamental design for a lid, as shown and described.

DESCRIPTION

FIG. 1 is a front perspective view of a lid, showing my new design, shown in an environment of use with an exemplary beverage container;

FIG. 2 is a front view thereof, shown with the exemplary beverage container removed to show aspects of the design not visible when combined.

FIG. 3 is a rear view thereof, shown with the exemplary beverage container removed to show aspects of the design not visible when combined.

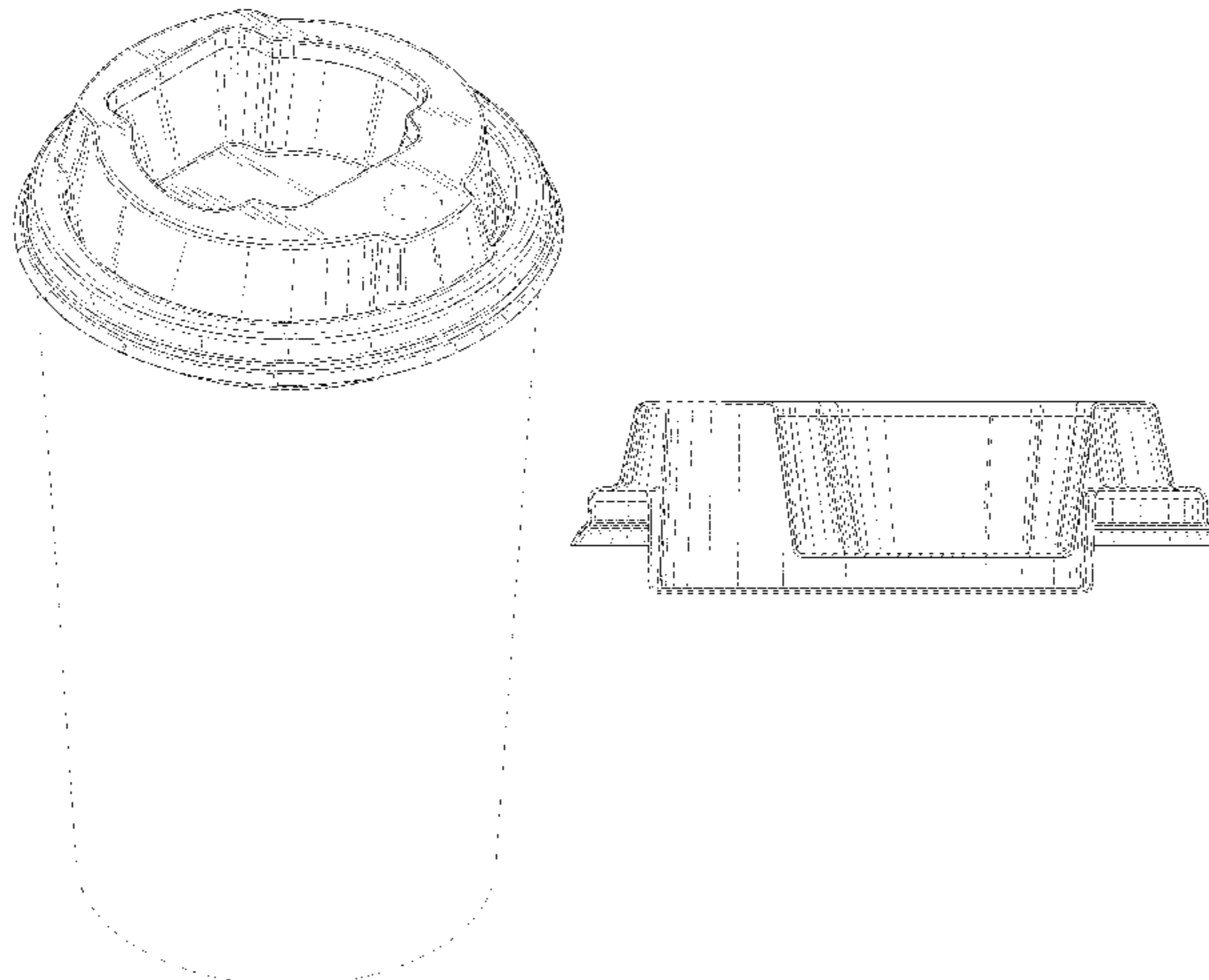
FIG. 4 is a side view thereof, shown with the exemplary beverage container removed to show aspects of the design not visible when combined.

FIG. 5 is a top plan view of the lid of FIG. 1; and,

FIG. 6 is a cross-sectional view of the lid taken along line 6 of FIG. 5.

The broken lines are shown for the purpose of illustrating parts of the article as well as environmental subject matter of an exemplary beverage container. None of the broken lines form part of the claimed design.

1 Claim, 3 Drawing Sheets



(56)

References Cited

U.S. PATENT DOCUMENTS

6,528,105 B1 3/2003 Gerhart et al.
 6,578,726 B1 6/2003 Schaefer
 D483,165 S 12/2003 Dretzka
 D489,254 S 5/2004 Kocis et al.
 6,824,003 B1 11/2004 Wong
 6,874,649 B2 4/2005 Clarke et al.
 7,017,775 B2 3/2006 Zettle et al.
 D525,826 S * 8/2006 Kugler D7/392.1
 7,131,551 B2 11/2006 Smith
 7,195,130 B2 3/2007 Pendergrass et al.
 7,246,715 B2 7/2007 Smith et al.
 D569,193 S * 5/2008 El Ghouyel D7/602
 D577,998 S * 10/2008 Decottignies D9/454
 7,789,260 B2 9/2010 Hollis et al.
 7,850,037 B2 12/2010 Schmidtner et al.
 D642,915 S * 8/2011 Swingle D9/454
 D661,186 S * 6/2012 Snyder 435/454
 D713,248 S * 9/2014 Kotyuk D9/454
 9,038,845 B1 * 5/2015 Buck B65D 51/28
 220/521
 D731,313 S * 6/2015 Kotyuk D9/454
 D731,889 S * 6/2015 Kotyuk D9/454
 D758,187 S * 6/2016 Kotyuk D9/454
 D761,104 S * 7/2016 Buck D9/447
 D767,391 S * 9/2016 Buck D9/447
 D773,883 S 12/2016 Elias
 D788,583 S 6/2017 Tu
 D807,746 S 1/2018 Fleming
 9,908,667 B1 * 3/2018 Smith B65D 43/16
 D817,703 S 5/2018 Guthrie et al.
 D824,212 S 7/2018 Seiders et al.
 D829,044 S * 9/2018 Slown D7/391
 D831,483 S * 10/2018 Tseng D7/396.2
 D832,057 S * 10/2018 Namyst, III D7/602
 D836,386 S 12/2018 Ayriss et al.
 D836,437 S * 12/2018 Engel D7/392.1
 D856,802 S * 8/2019 Kassler D9/436
 D856,803 S * 8/2019 Kassler D9/436

D857,498 S * 8/2019 Kassler D9/436
 D858,279 S * 9/2019 Trombetta D9/434
 D865,520 S * 11/2019 Löfholm D9/447
 D867,134 S * 11/2019 Savenok D9/450
 10,542,845 B2 * 1/2020 Herrera, Jr. B65D 43/022
 D904,827 S * 12/2020 Stanton D7/532
 D909,203 S 2/2021 Palazzolo
 D947,675 S * 4/2022 Yamada D9/454
 D953,161 S * 5/2022 Tang D9/454
 2004/0149755 A1 * 8/2004 Olivar A47G 19/065
 220/709
 2008/0011762 A1 * 1/2008 Boone B65D 43/0212
 220/713
 2009/0266829 A1 * 10/2009 Bailey B65D 43/0202
 220/717
 2021/0047082 A1 * 2/2021 Palazzolo B65D 43/0212

OTHER PUBLICATIONS

Ketchup on the Top Yanko Design: Announced Jul. 16, 2012 (online). Site Visited [Kine 10th, 2022]. Available from Internet URL: <https://www.yankodesign.com/2012/07/16/ketchup-on-the-top/>.*

Silipint: Announced [Jun. 10, 2019 (online)]. Site Visited [Jun. 10, 2022]. Available from Internet URL: https://silipint.com/collections/lids?gclid=CjwKCAjw14uVBhBEEiwAaufYx6iGf_3A8ntJ7WCYynvBYVkuEzSVgSU4_t_Xjqx3u-7xdgOgAfenmxoCdWAQ%E2%80%A6.*

Parent's Choice Drink and Snack: Announced [Aug. 13, 2019 (online)]. Site Visited [Jun. 10, 2022]. Available from Internet URL: <https://www.walmart.com/ip/Parent-s-Choice-Drink-And-Snack-1-pack/1170571>.*

Snackeez Duo: Announced [May 15, 2016 (online)]. Site Visited [June 10, 2022]. Available from Internet URL: <https://www.walmart.com/ip/Snackeez-Duo-30-Piece-Plastic-Snack-and-Drink-Traveler-Cup-Set-Disposable-Reusable-and-Recyclable-As-Seen-on-TV%E2%80%A6>.*

* cited by examiner

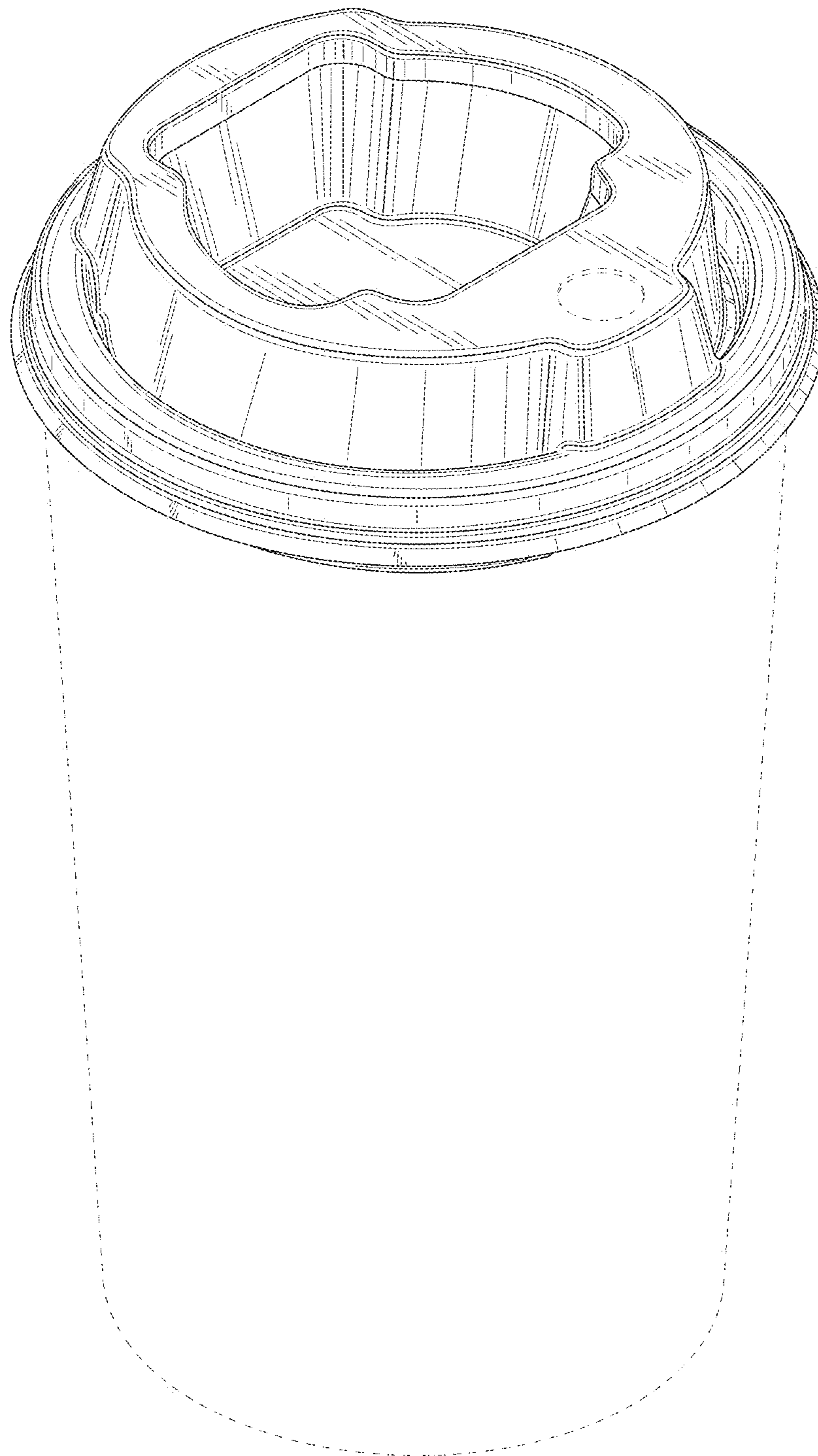


Fig. 1

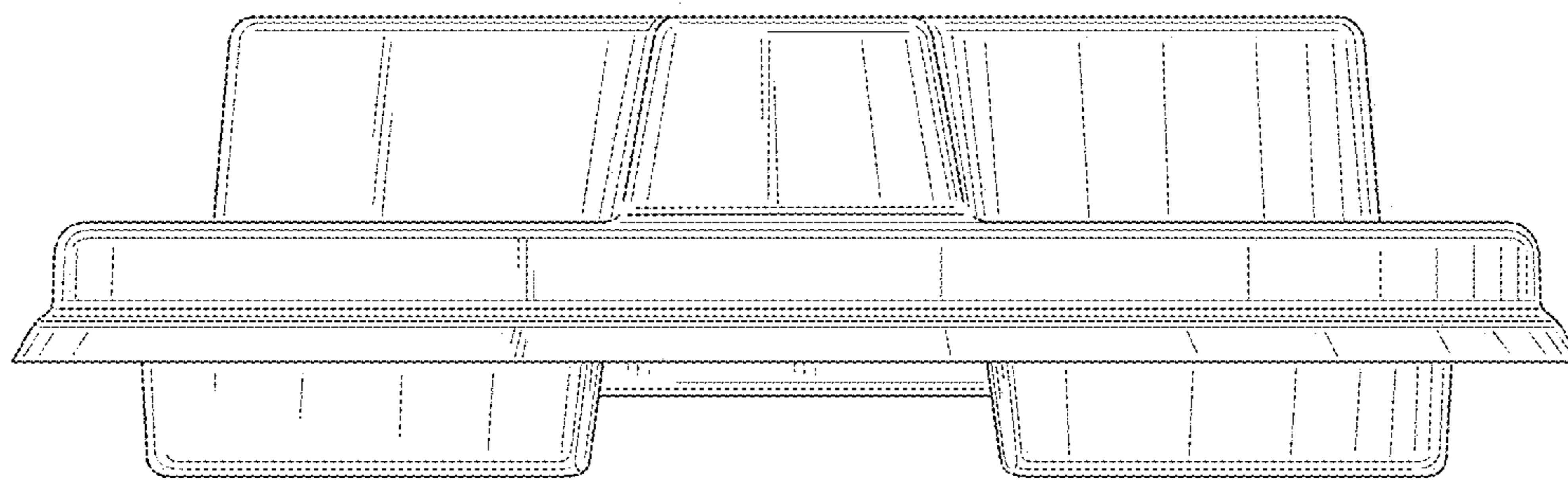


Fig. 2

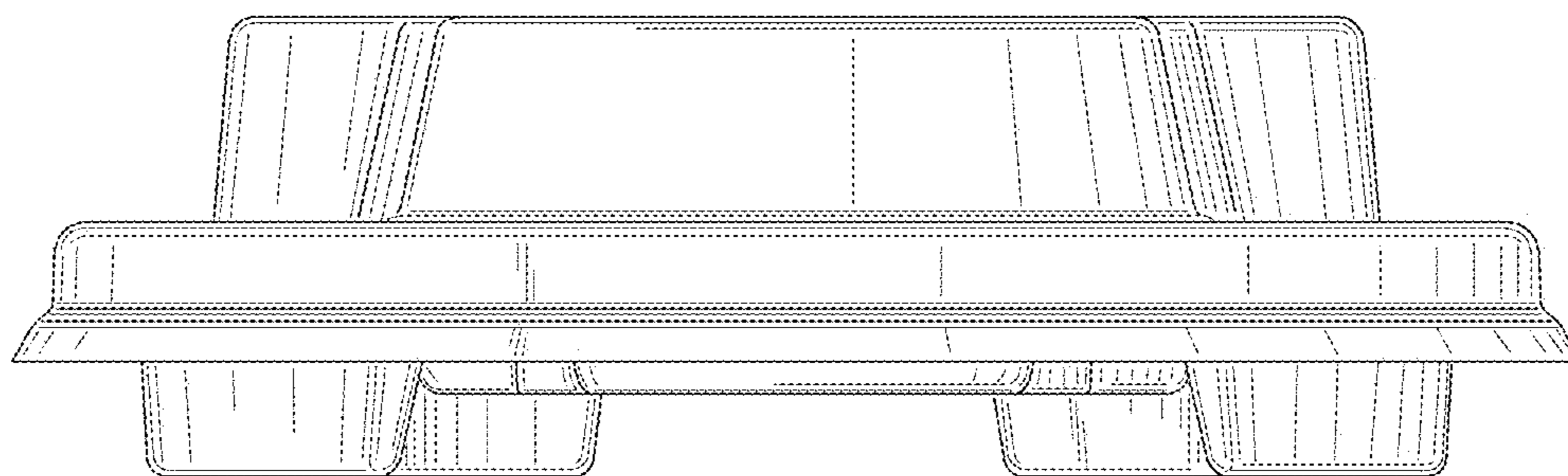


Fig. 3

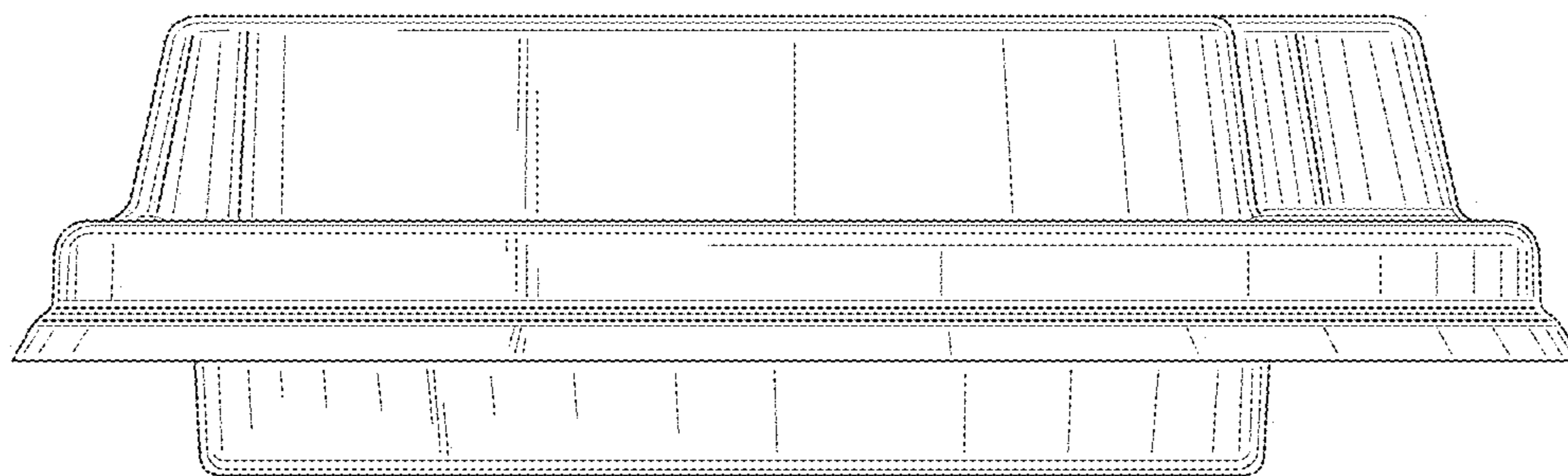


Fig. 4

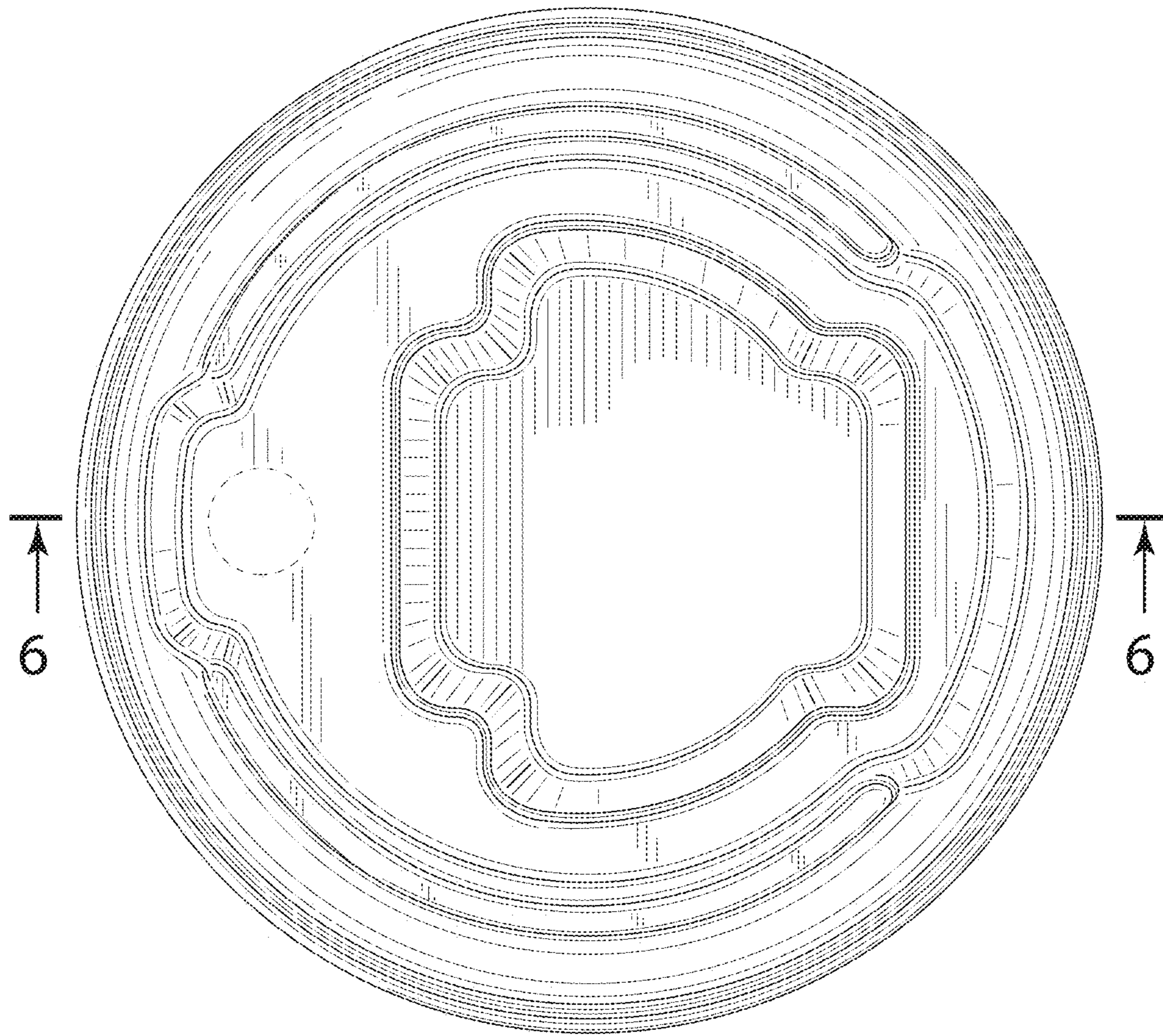


Fig. 5

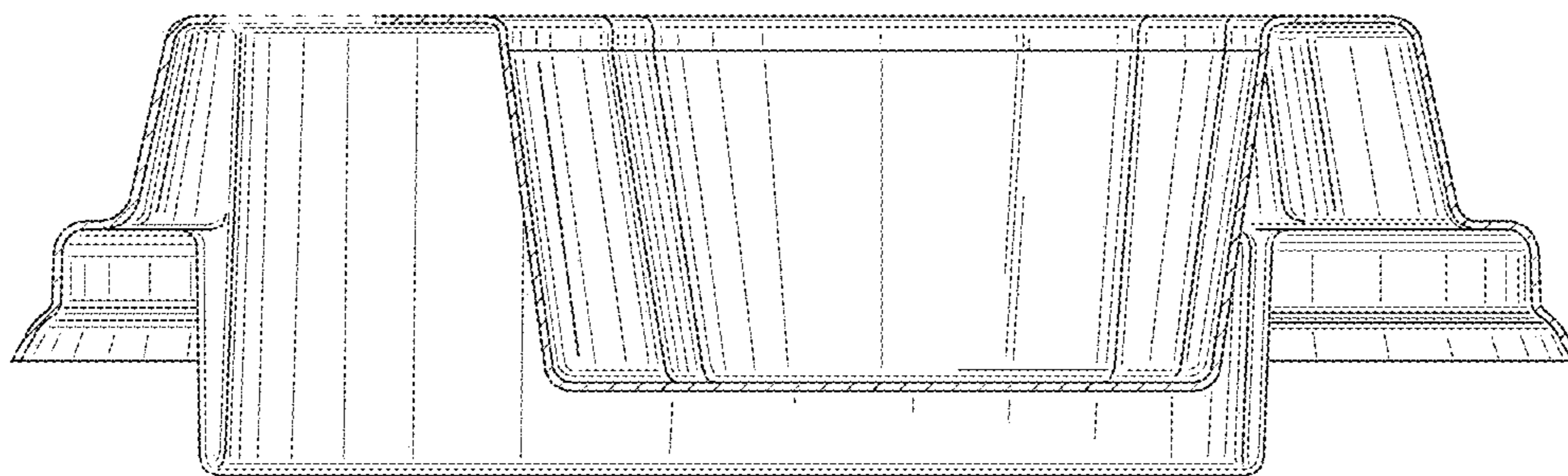


Fig. 6