

US00D969603S

(12) **United States Design Patent** (10) **Patent No.:** **US D969,603 S**  
**Holloway** (45) **Date of Patent:** **\*\* Nov. 15, 2022**

(54) **PACKAGING**

(71) Applicant: **Nicoventures Trading Limited**,  
London (GB)

(72) Inventor: **Jack Holloway**, London (GB)

(73) Assignee: **Nicoventures Trading Limited**,  
London (GB)

(\*\*) Term: **15 Years**

(21) Appl. No.: **29/730,811**

(22) Filed: **Apr. 8, 2020**

(30) **Foreign Application Priority Data**

Oct. 9, 2019 (EM) ..... 007003702

(51) **LOC (13) Cl.** ..... **09-03**

(52) **U.S. Cl.**  
USPC ..... **D9/432**

(58) **Field of Classification Search**  
USPC ..... D9/414-418, 420, 423, 430, 432, 433,  
D9/434, 438, 499, 422, 426, 455, 456;  
(Continued)

(56) **References Cited**

**U.S. PATENT DOCUMENTS**

D126,123 S \* 3/1941 Clemens ..... D9/418  
D126,124 S \* 3/1941 Clemens ..... D9/423  
(Continued)

**OTHER PUBLICATIONS**

The Premier Packaging. Custom Vape Pen Boxes. Publication date  
unavailable. Visited Nov. 8, 2021. [https://thepremierpackaging.com/  
custom-vape-pen-boxes/](https://thepremierpackaging.com/custom-vape-pen-boxes/) (Year: 0).\*

(Continued)

*Primary Examiner* — Darcey E Gottschalk

*Assistant Examiner* — Vanessa M. Pursley

(74) *Attorney, Agent, or Firm* — Patterson Thuent  
Pedersen, P.A.

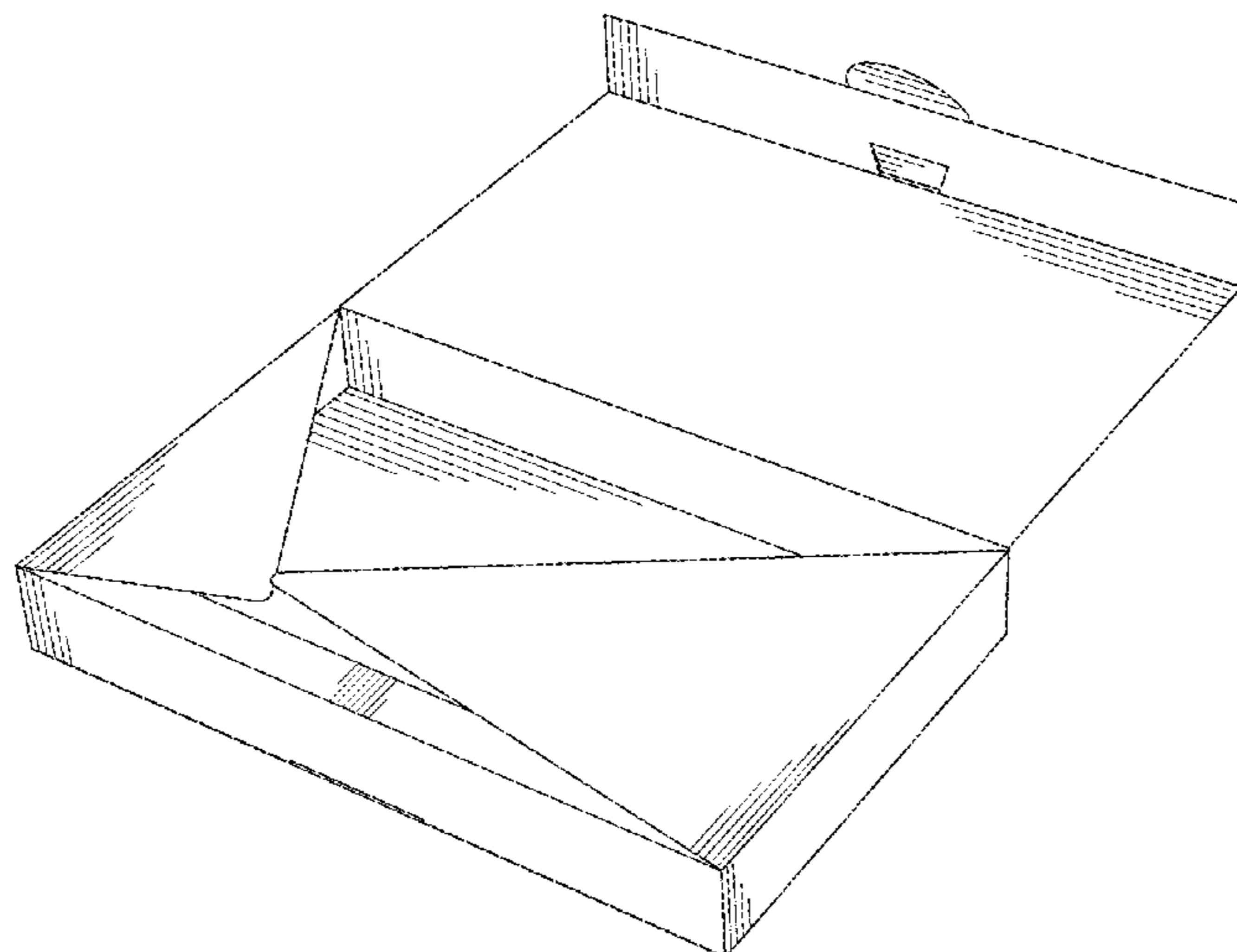
(57) **CLAIM**

I claim the ornamental design for a packaging, as shown and  
described.

**DESCRIPTION**

FIG. 1 is a top front perspective view of a packaging.  
FIG. 2 is a front elevational view of the packaging depicted  
in FIG. 1.  
FIG. 3 is a rear elevational view of the packaging depicted  
in FIG. 1.  
FIG. 4 is a right side elevational view of the packaging  
depicted in FIG. 1.  
FIG. 5 is a left side elevational view of the packaging  
depicted in FIG. 1.  
FIG. 6 is a top plan view of the packaging depicted in FIG.  
1.  
FIG. 7 is a bottom plan view of the packaging depicted in  
FIG. 1.  
FIG. 8 is a top rear perspective view of the packaging  
depicted in FIG. 1.  
FIG. 9 is a top front perspective view of the packaging  
depicted in FIG. 1 in an open position.  
FIG. 10 is a front elevational view of the packaging depicted  
in FIG. 1 in an open position.  
FIG. 11 is a rear elevational view of the packaging depicted  
in FIG. 1 in an open position.  
FIG. 12 is a right side elevational view of the packaging  
depicted in FIG. 1 in an open position.  
FIG. 13 is a left side elevational view of the packaging  
depicted in FIG. 1 in an open position.  
FIG. 14 is a top plan view of the packaging depicted in FIG.  
1 in an open position.  
FIG. 15 is a bottom plan view of the packaging depicted in  
FIG. 1 in an open position; and,  
FIG. 16 is a top rear perspective view of the packaging  
depicted in FIG. 1 in an open position.  
The broken lines in the drawings illustrate portions of the  
packaging that form no part of the claimed design.

**1 Claim, 16 Drawing Sheets**



(58) **Field of Classification Search**

USPC ..... D3/232, 243, 294, 315, 324, 201, 273,  
D3/299; D27/127, 144, 172, 186  
CPC ... B65D 5/20; B65D 5/54; B65D 5/66; B65D  
5/68

See application file for complete search history.

(56) **References Cited**

U.S. PATENT DOCUMENTS

D209,336 S 11/1967 Dykes  
D209,337 S 11/1967 Dykes  
D256,219 S 8/1980 Miyazaki  
D268,098 S \* 3/1983 Brown ..... D9/418  
D280,703 S 9/1985 Strobe  
D284,840 S 7/1986 Van Woerkom  
4,930,680 A 6/1990 Hanus  
D350,692 S \* 9/1994 Seki ..... D9/414  
D373,723 S \* 9/1996 Healey ..... D9/433  
D387,984 S 12/1997 Magister  
D398,527 S \* 9/1998 Maceachern ..... D9/420  
D410,196 S 5/1999 Berg  
D433,630 S \* 11/2000 Lubineau-Bigot ..... D9/416  
D447,687 S \* 9/2001 Roby ..... D9/422  
D534,424 S 1/2007 Ellman et al.  
D576,873 S \* 9/2008 Kim ..... D9/418  
D620,788 S 8/2010 Hainaut et al.  
D625,598 S 10/2010 Ruth  
D668,948 S \* 10/2012 LaTrobe ..... D9/423  
D669,352 S \* 10/2012 Paslawski ..... D9/423  
D727,722 S 4/2015 Beland et al.  
D728,359 S 5/2015 Iwegbu  
D752,863 S \* 4/2016 Torggler ..... D3/299  
D793,226 S 8/2017 Albert et al.  
D806,532 S 1/2018 Richmond

D819,439 S \* 6/2018 Young ..... D9/420  
D821,870 S \* 7/2018 Fly ..... D9/432  
D834,937 S 12/2018 McKenzie et al.  
D864,710 S 10/2019 Watson  
D867,129 S 11/2019 Chambers et al.  
D868,577 S \* 12/2019 Watson ..... D9/420  
D871,203 S \* 12/2019 Koepfel ..... D9/414  
D873,676 S \* 1/2020 Weston ..... B65D 5/5021  
D9/756  
D899,253 S 10/2020 Natsume et al.  
D932,297 S \* 10/2021 McGrath ..... D9/432  
D932,891 S \* 10/2021 Chambers ..... D9/432  
D938,818 S \* 12/2021 Chatalain ..... D9/420  
D942,853 S \* 2/2022 Sollie ..... D9/432

OTHER PUBLICATIONS

ZoxxBox. Personalized Fold-up Boxes. Publication date unavailable. Visited Nov. 10, 2021. <https://www.zoxxbox.com/AllFoldupBoxes.html> (Year: 0).\*

GWP Group, "Corrugated End Caps," Publication Date Unavailable, Retrieved from <https://www.gwp.co.uk/packaging/inserts/corrugated-end-caps/>, Visited Nov. 8, 2021, (Year: 0), 3 pages.

Youtube, "Easy Modular Origami Pinwheel Box & Lid Tutorial—Paper Kawaii," 2018, Posted by Paper Kawaii—Origami Tutorials on Jul. 28, 2018, Visited on Nov. 8, 2021, Retrieved from <https://www.youtube.com/watch?v=uKw60-jYYvA>, 3 pages.

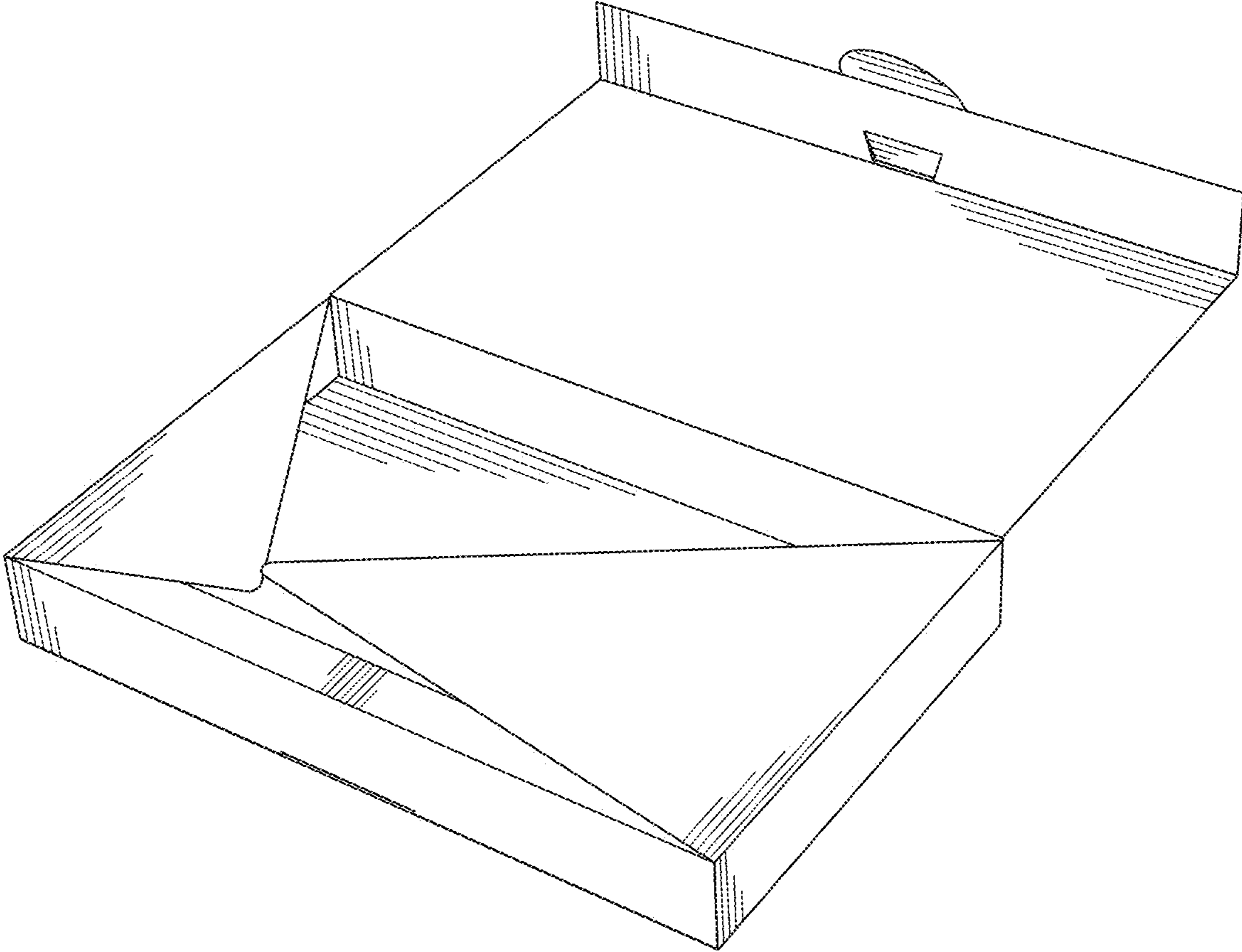
Application and File History for U.S. Appl. No. 29/730,803, filed Apr. 8, 2020. Inventor: Jack Holloway.

Application and File History for U.S. Appl. No. 29/796,843, filed Jun. 28, 2021. Inventors: Jack Holloway et al.

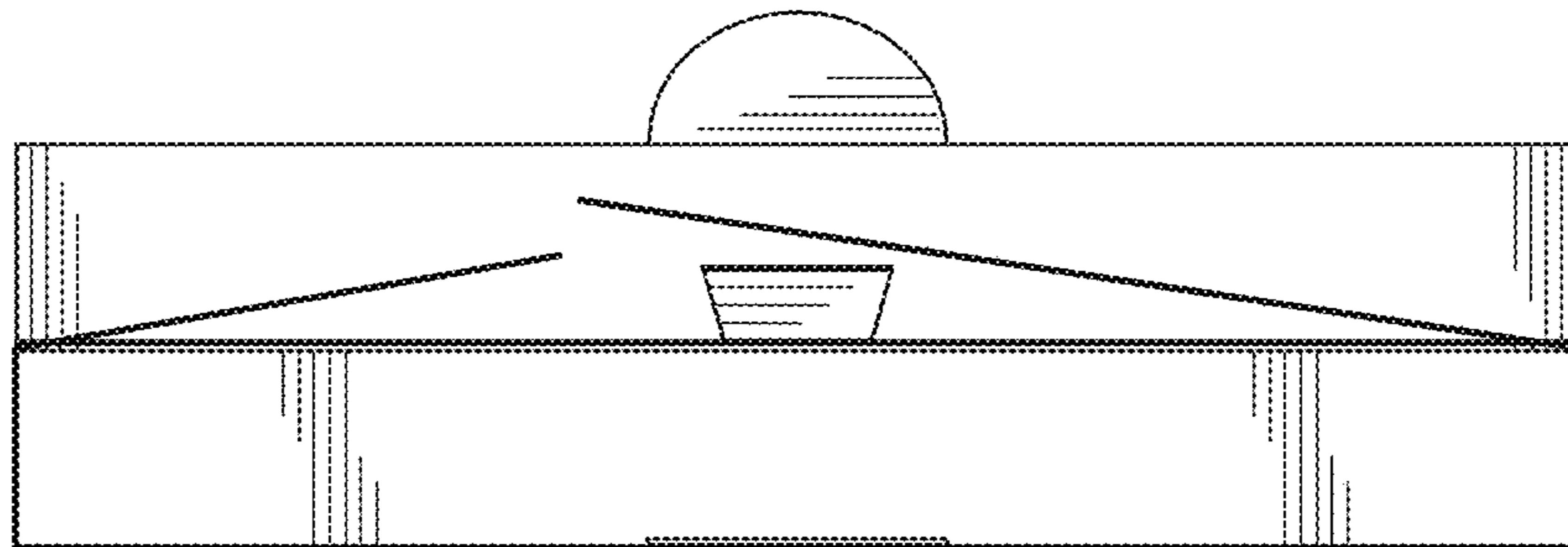
Application and File History for U.S. Appl. No. 29/796,846, filed Jun. 28, 2021. Inventors: Jack Holloway et al.

\* cited by examiner

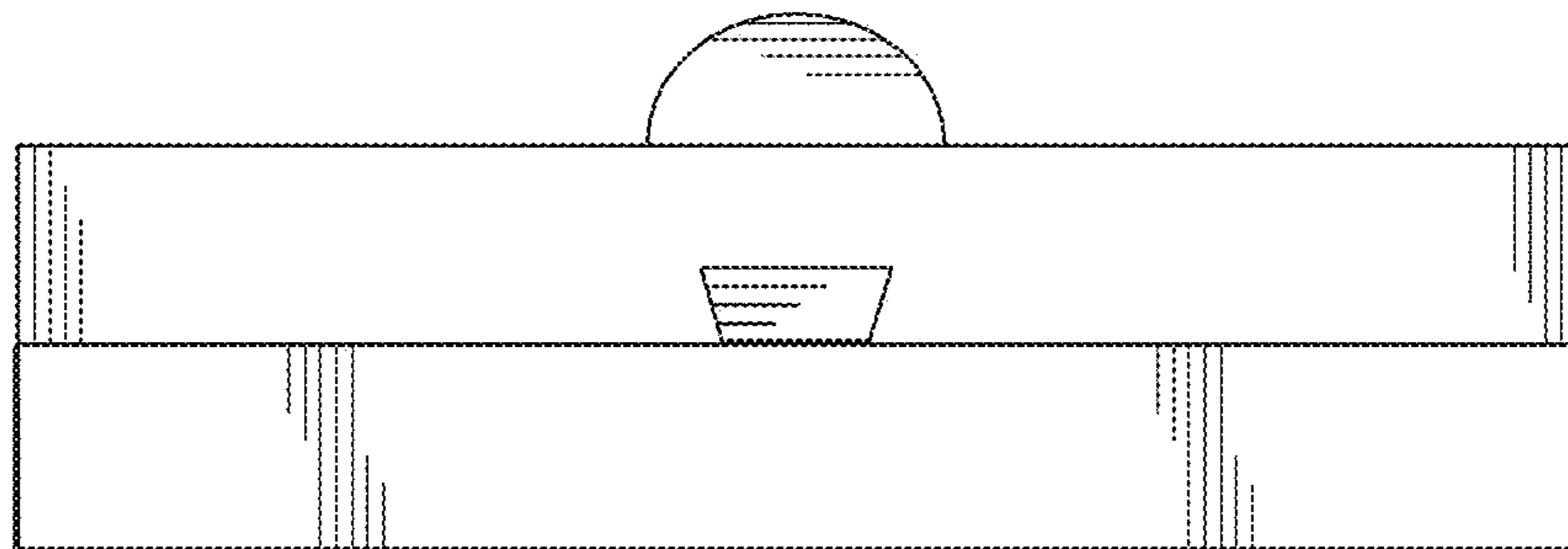
**FIG. 1**



**FIG. 2**

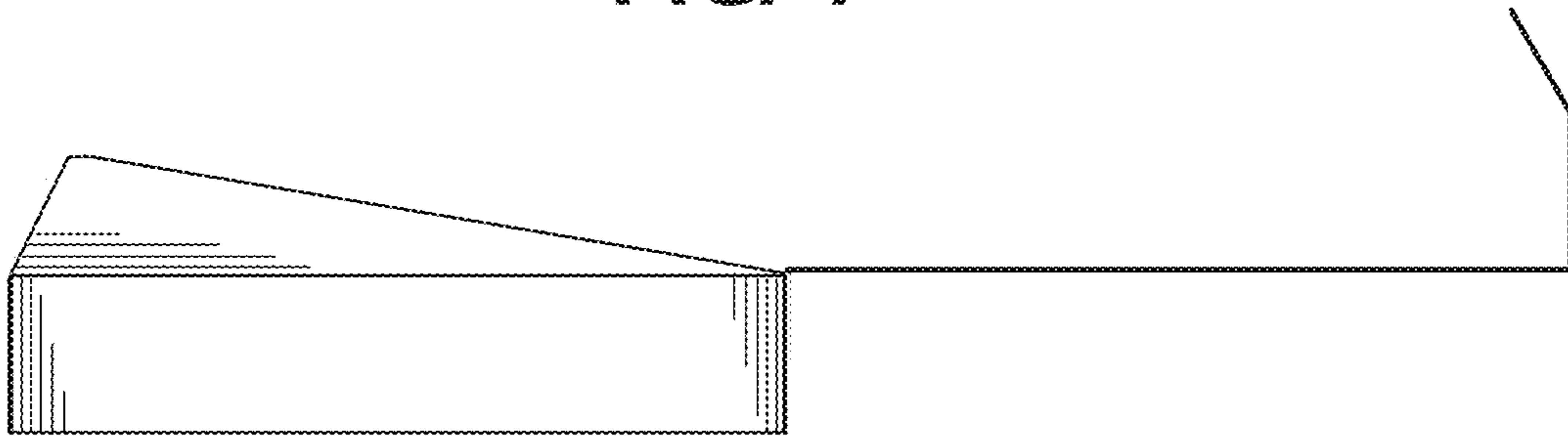


**FIG. 3**

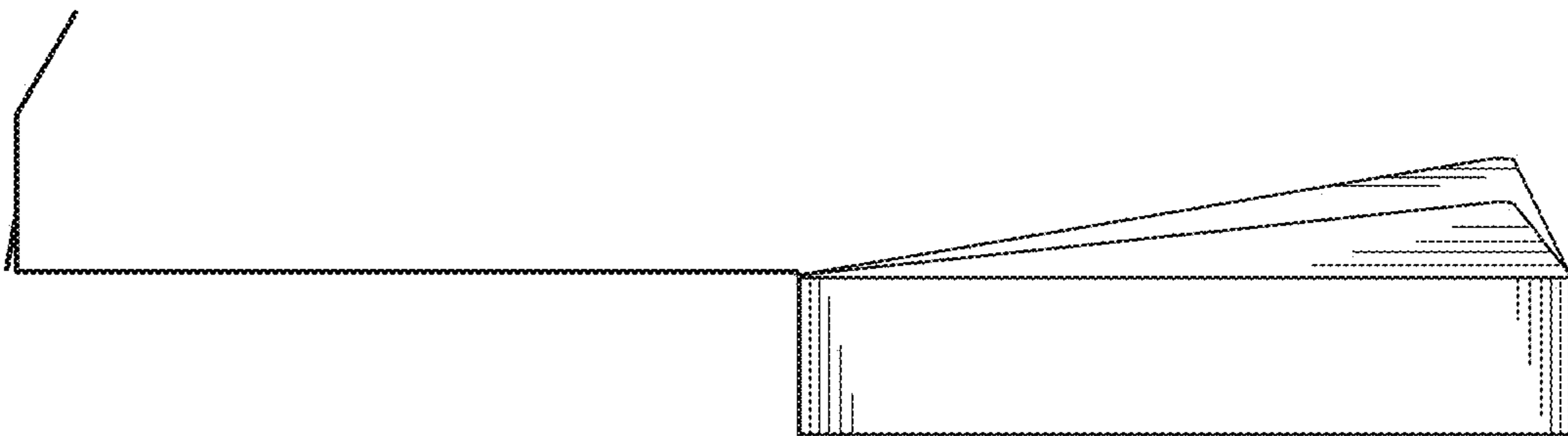




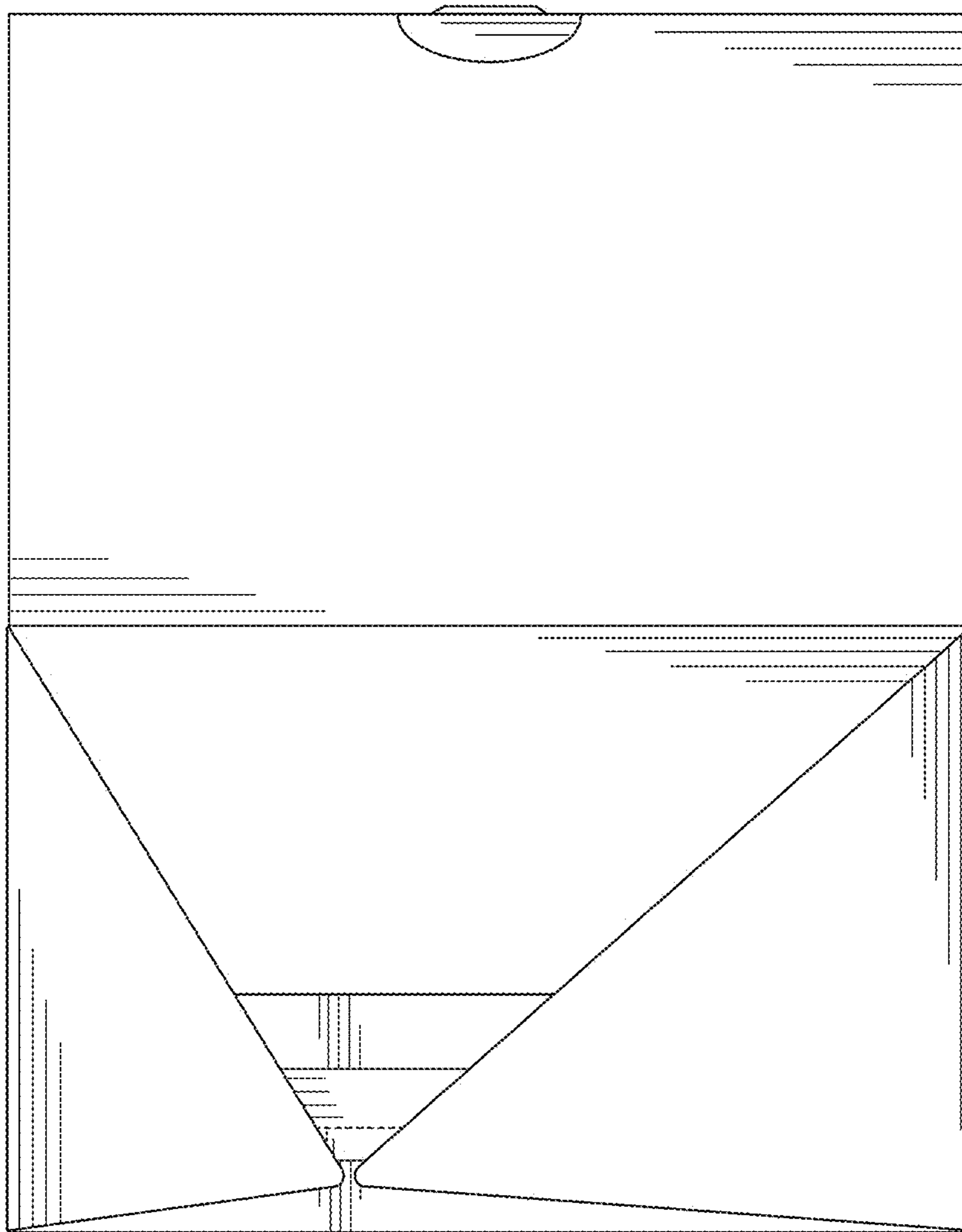
**FIG. 4**



**FIG. 5**

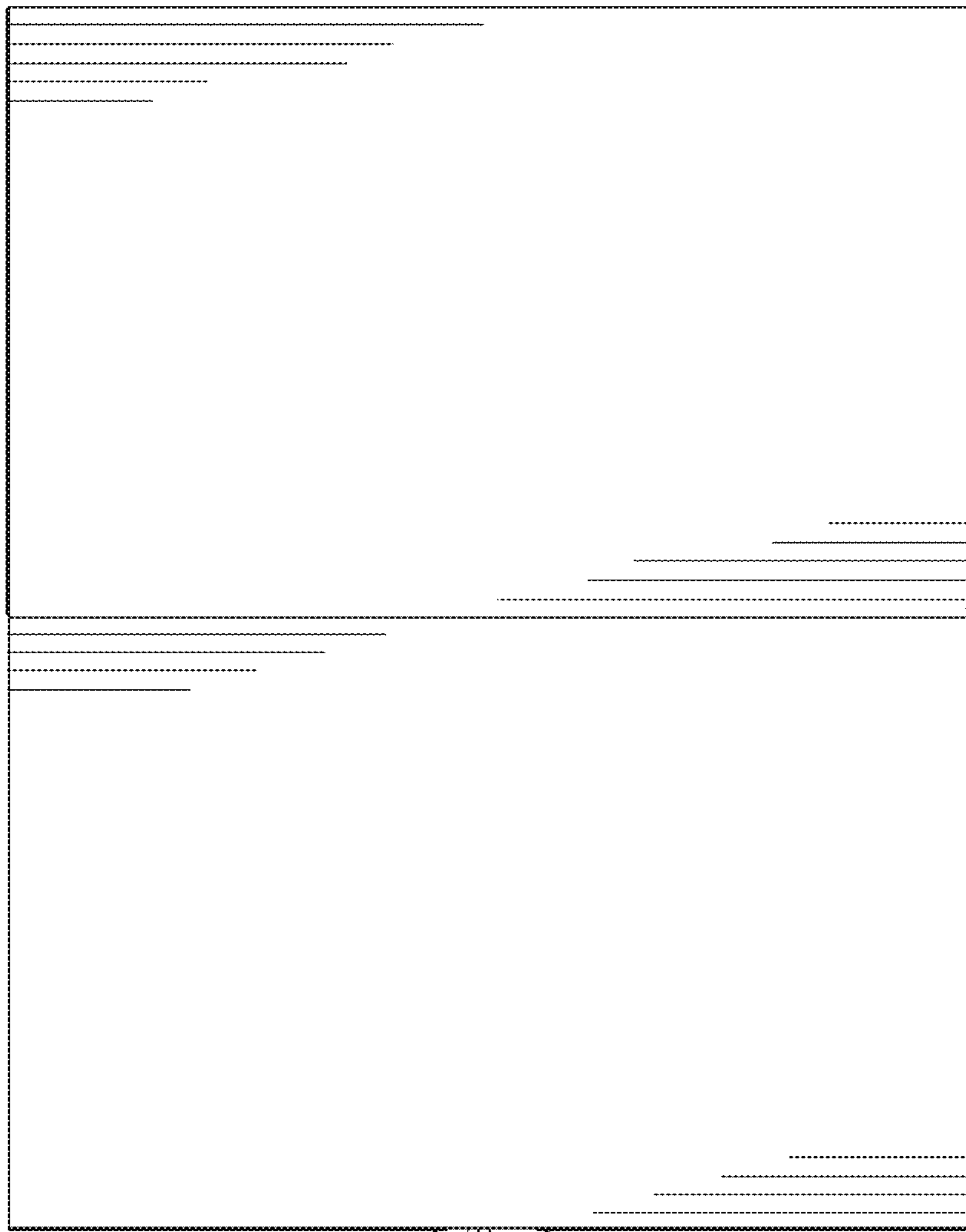


**FIG. 6**

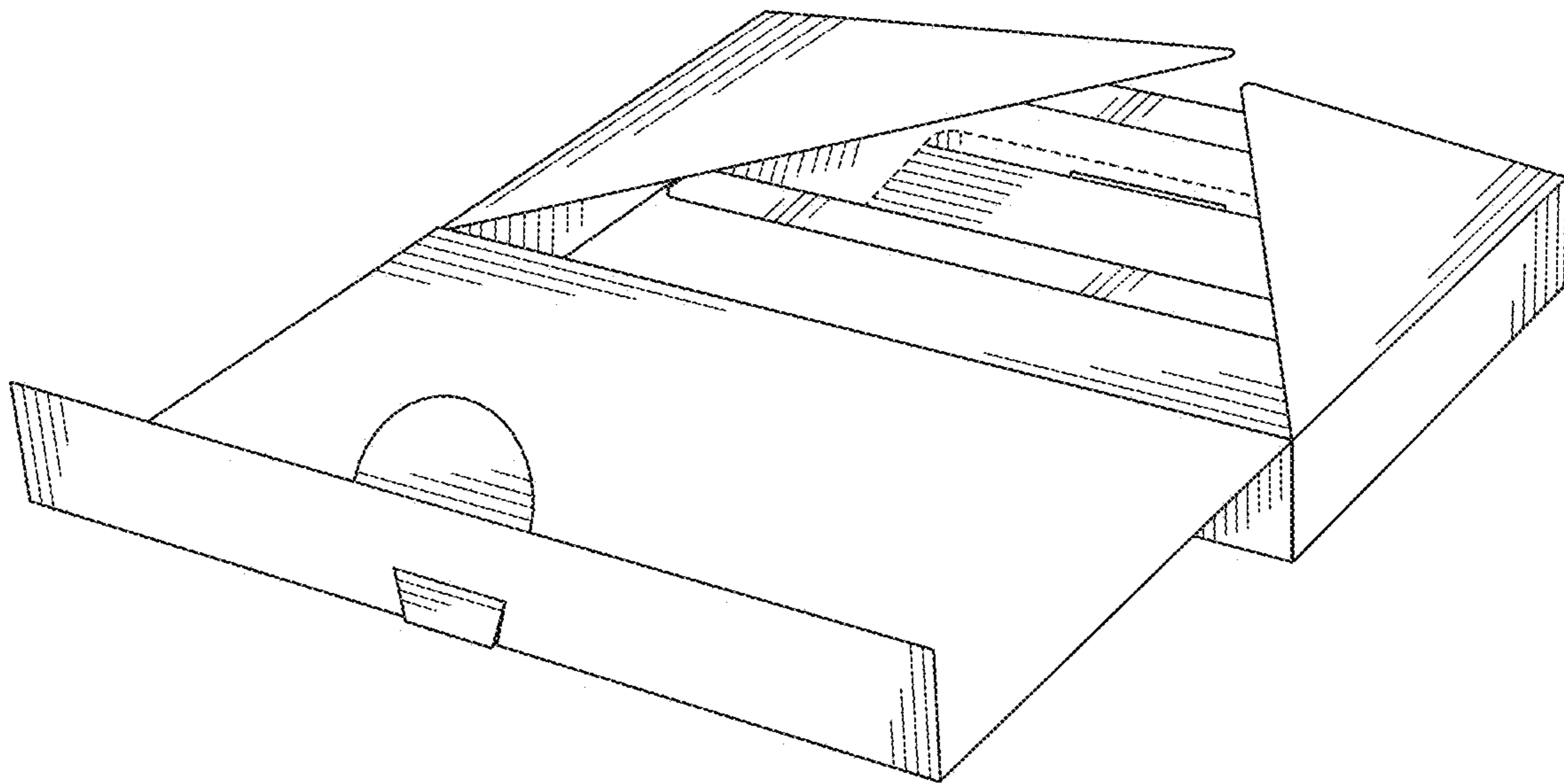




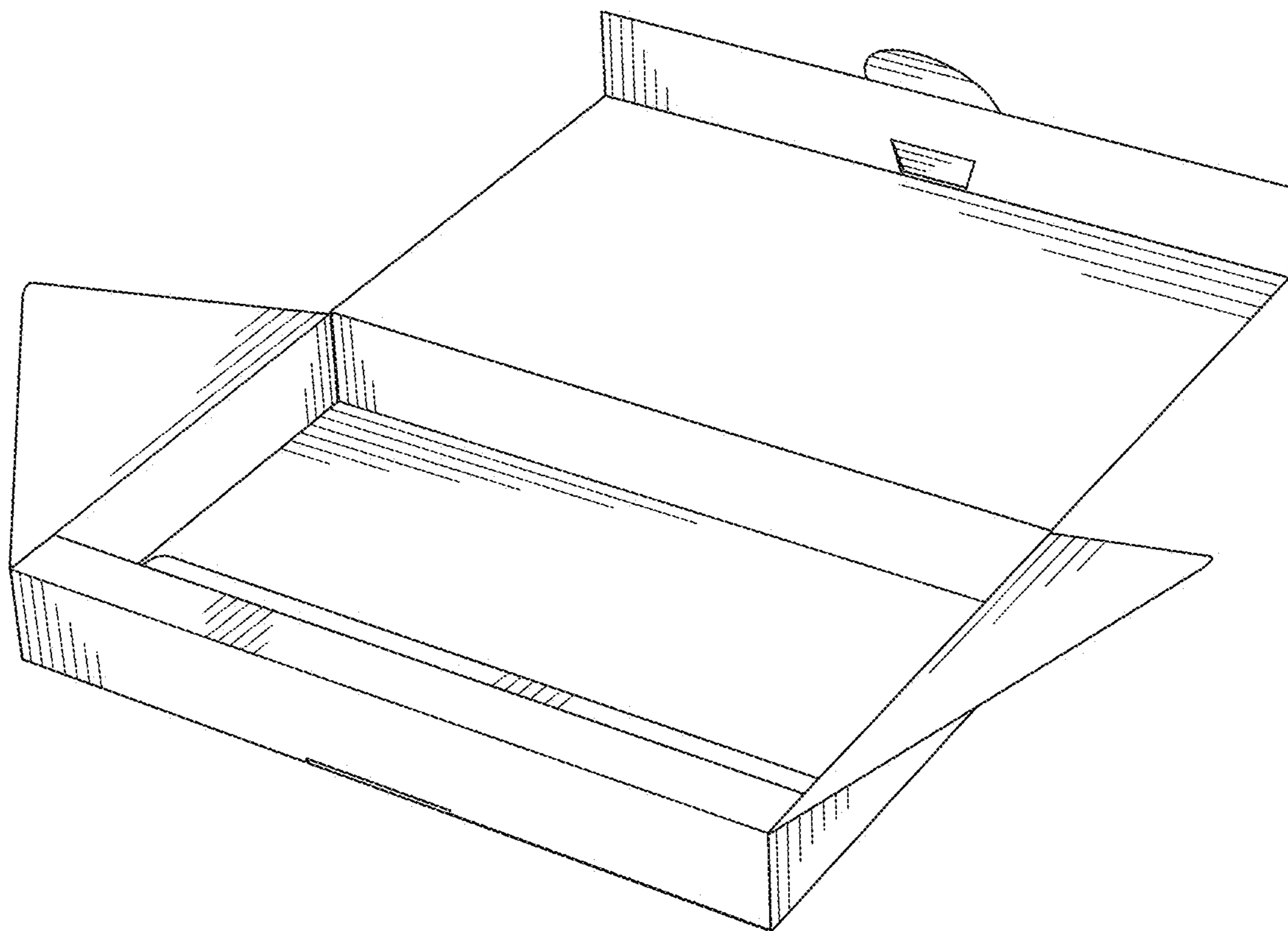
**FIG. 7**



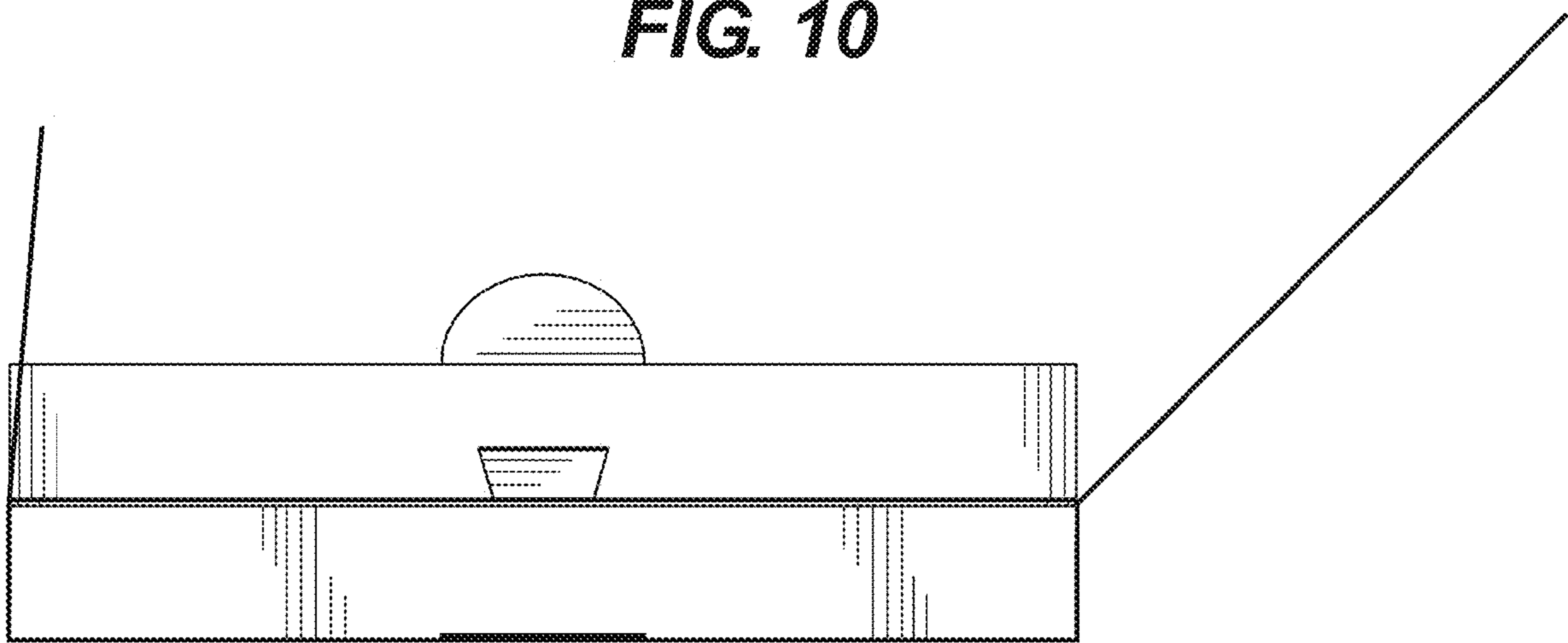
**FIG. 8**



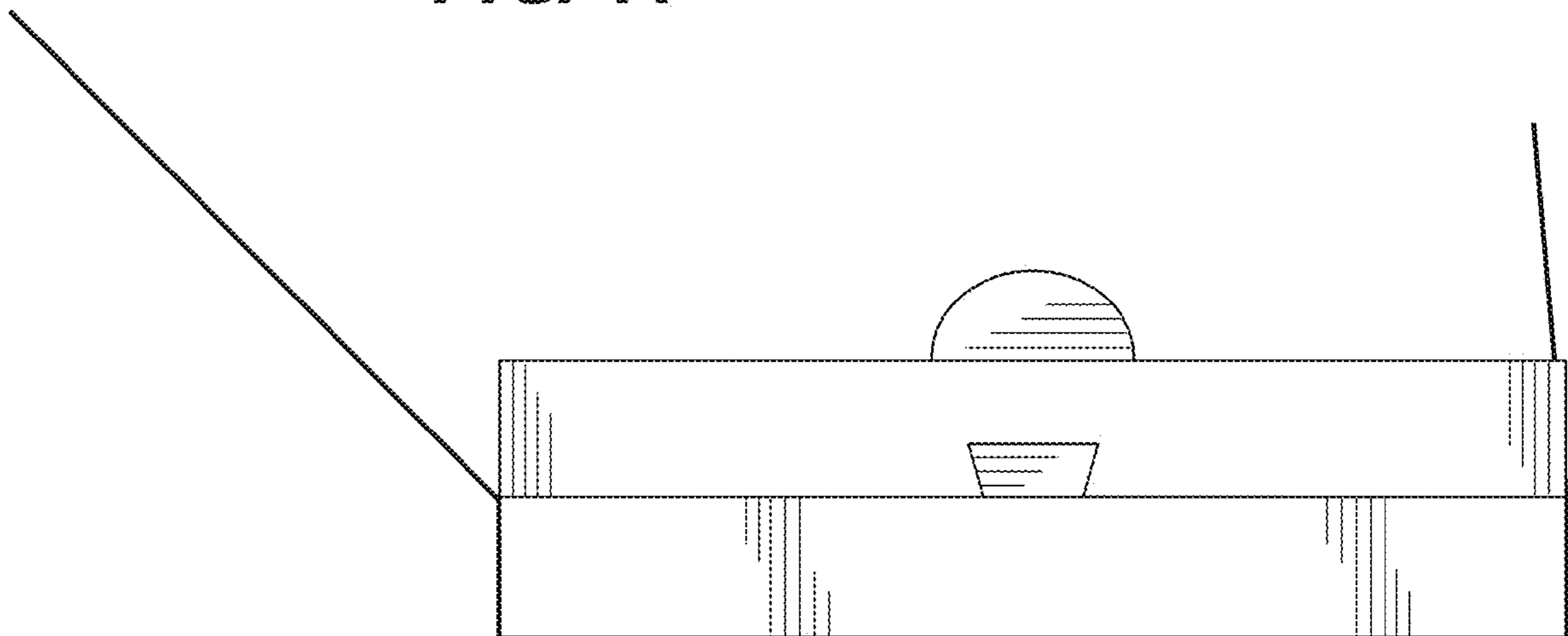
**FIG. 9**



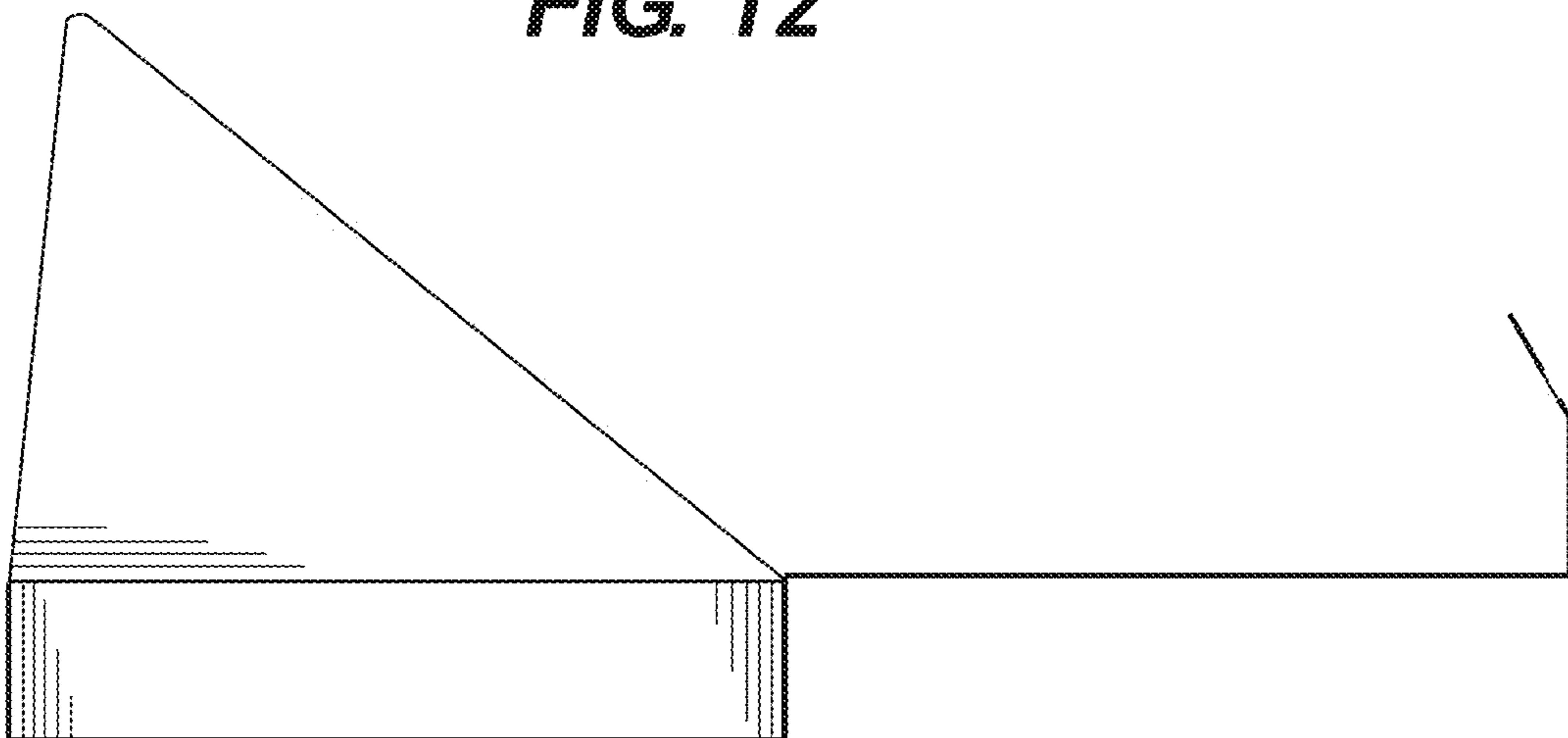
**FIG. 10**



**FIG. 11**

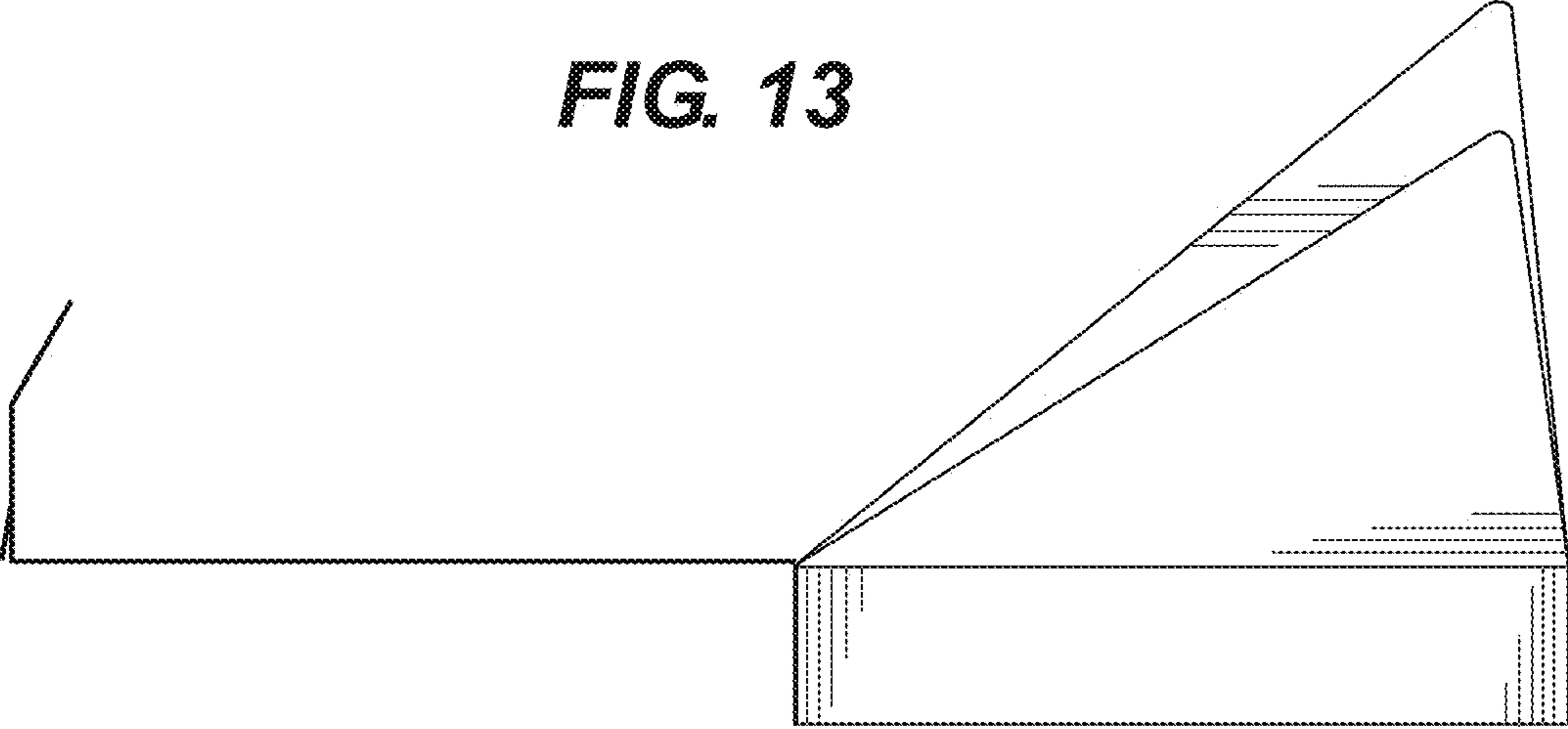


**FIG. 12**

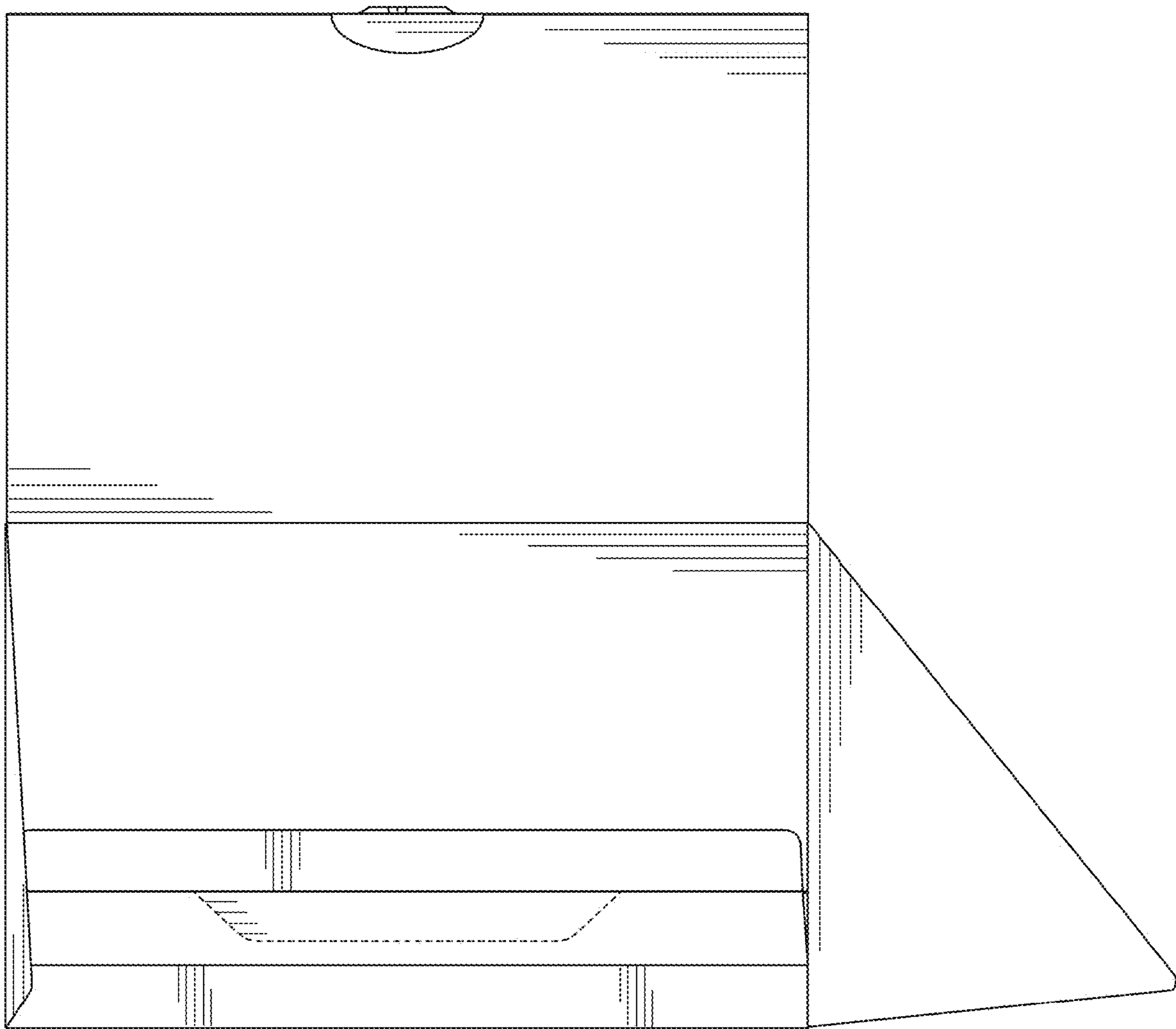




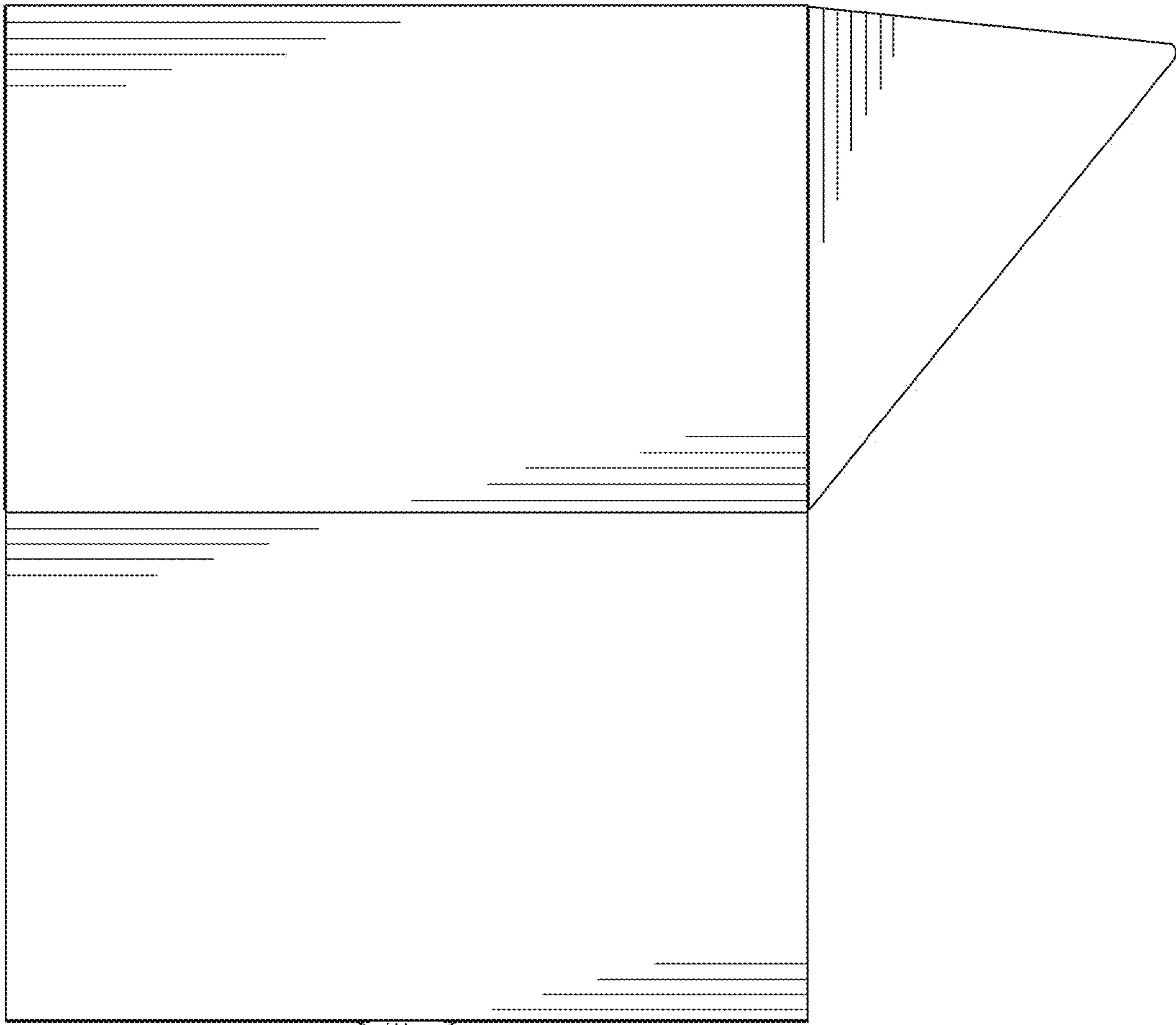
**FIG. 13**



**FIG. 14**



**FIG. 15**



**FIG. 16**

