



US00D969601S

(12) **United States Design Patent** (10) **Patent No.:** **US D969,601 S**
Matten et al. (45) **Date of Patent:** **** Nov. 15, 2022**

- (54) **DIRECT-TO-GARMENT PACKAGE**
- (71) Applicant: **CreateMe Technologies LLC**, New York, NY (US)
- (72) Inventors: **David Matten**, Chicago, IL (US); **Lai Chyan Chow**, San Francisco, CA (US); **Jinhwa Jung**, San Jose, CA (US); **Khamvong Thammassouk**, San Jose, CA (US)
- (73) Assignee: **CreateMe Technologies LLC**, New York, NY (US)
- (**) Term: **15 Years**
- (21) Appl. No.: **29/761,859**
- (22) Filed: **Dec. 11, 2020**
- (51) **LOC (13) Cl.** **09-03**
- (52) **U.S. Cl.**
USPC **D9/418**
- (58) **Field of Classification Search**
USPC D9/414-418, 500, 425, 426, 428, 449, D9/454, 434, 435, 503; D14/217; D26/89; D7/359
CPC B65D 47/26; A45F 5/00
See application file for complete search history.

D651,508 S *	1/2012	Layfield	D9/425
D697,400 S *	1/2014	Bragalone	D9/416
8,737,066 B1 *	5/2014	Block	A45F 5/00 224/217
D756,222 S *	5/2016	Lopez	D9/434
D776,529 S *	1/2017	Torrison	D9/435
D827,612 S *	9/2018	Srour	D14/217
D853,240 S *	7/2019	Steel	D9/500
D861,476 S *	10/2019	Rogers	D9/418
D905,555 S *	12/2020	Öztürk	D9/454
D931,102 S *	9/2021	Asprey	D9/449
D932,825 S *	10/2021	Sarnoff	D7/359
D959,976 S *	8/2022	Resuello, Jr.	D9/418

* cited by examiner

Primary Examiner — Rhea Shields

(74) *Attorney, Agent, or Firm* — Kilpatrick Townsend & Stockton

(57) **CLAIM**

The ornamental design for a direct-to-garment package, as shown and described.

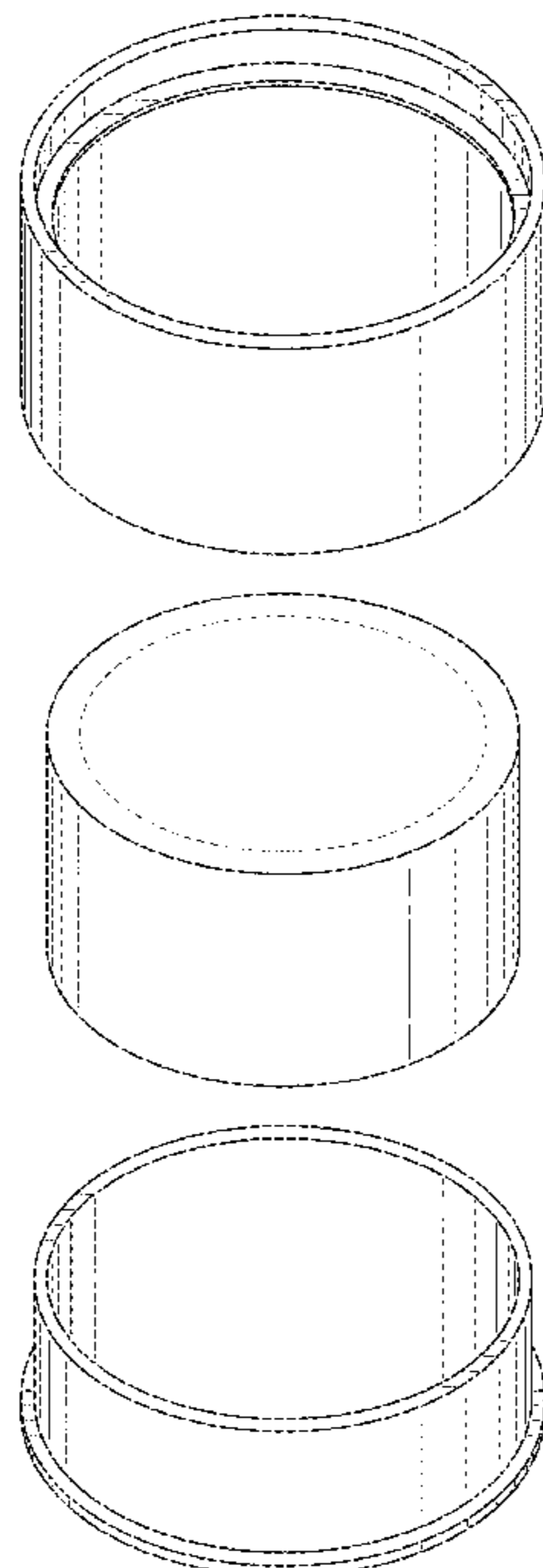
DESCRIPTION

FIG. 1 is a perspective view of a direct-to-garment package in an assembled configuration, showing our new design; FIG. 2 is a front view thereof; FIG. 3 is a back view thereof; FIG. 4 is a right side view thereof; FIG. 5 is a left side view thereof; FIG. 6 is a top view thereof; FIG. 7 is a bottom view of thereof; and, FIG. 8 is a perspective view thereof, in a disassembled configuration.

Broken lines in the figures show portions of the direct-to-garment package which form no part of the claimed design.

1 Claim, 8 Drawing Sheets

- (56) **References Cited**
U.S. PATENT DOCUMENTS
3,184,098 A * 5/1965 Sabaka B65D 47/26
222/549
D352,896 S * 11/1994 Jones D9/503
D512,914 S * 12/2005 Moretti D9/454
D536,614 S * 2/2007 Peterson D9/454
D633,644 S * 3/2011 Sprengers D26/89



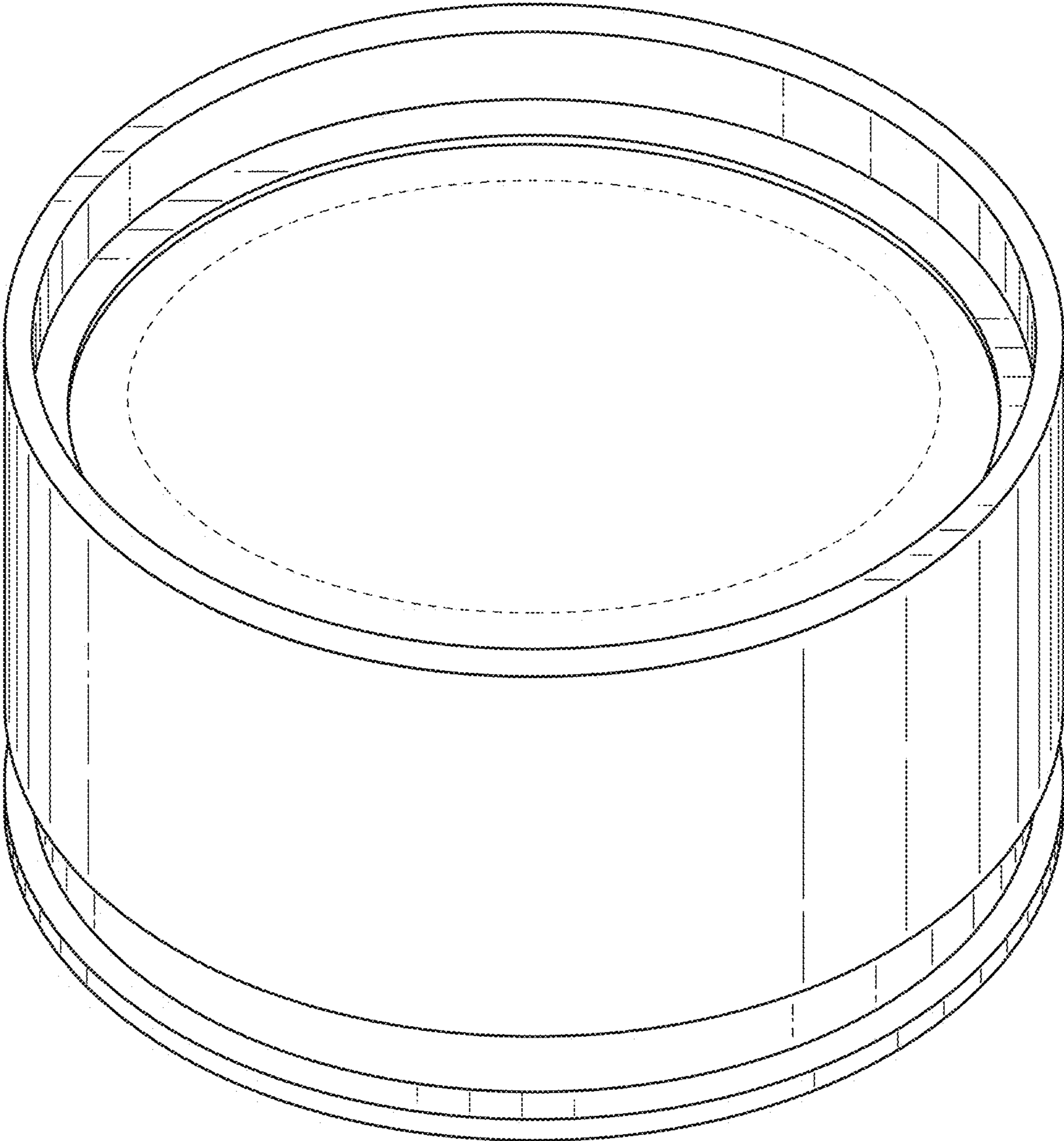


FIG. 1

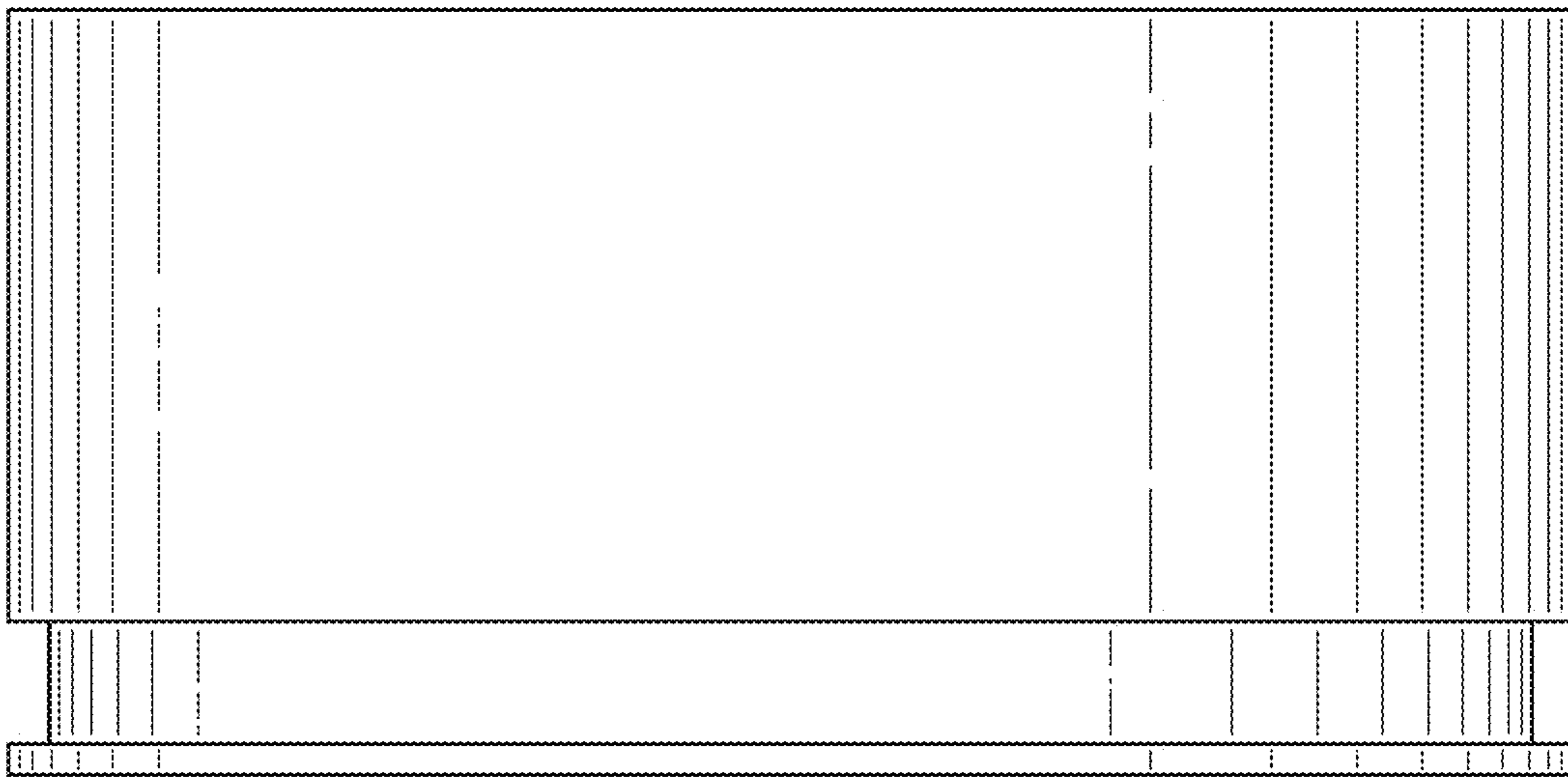


FIG. 2



FIG. 3

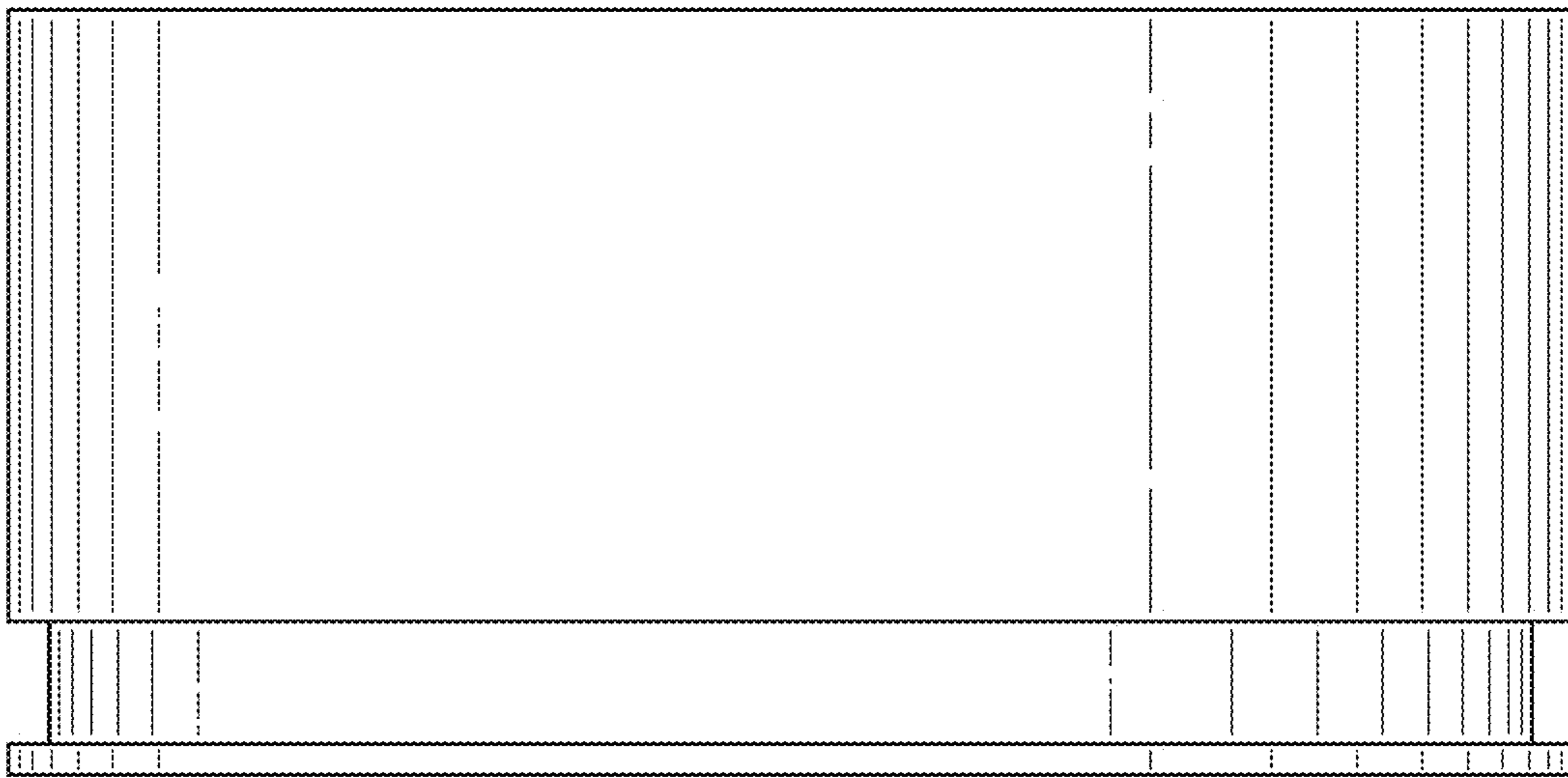


FIG. 4

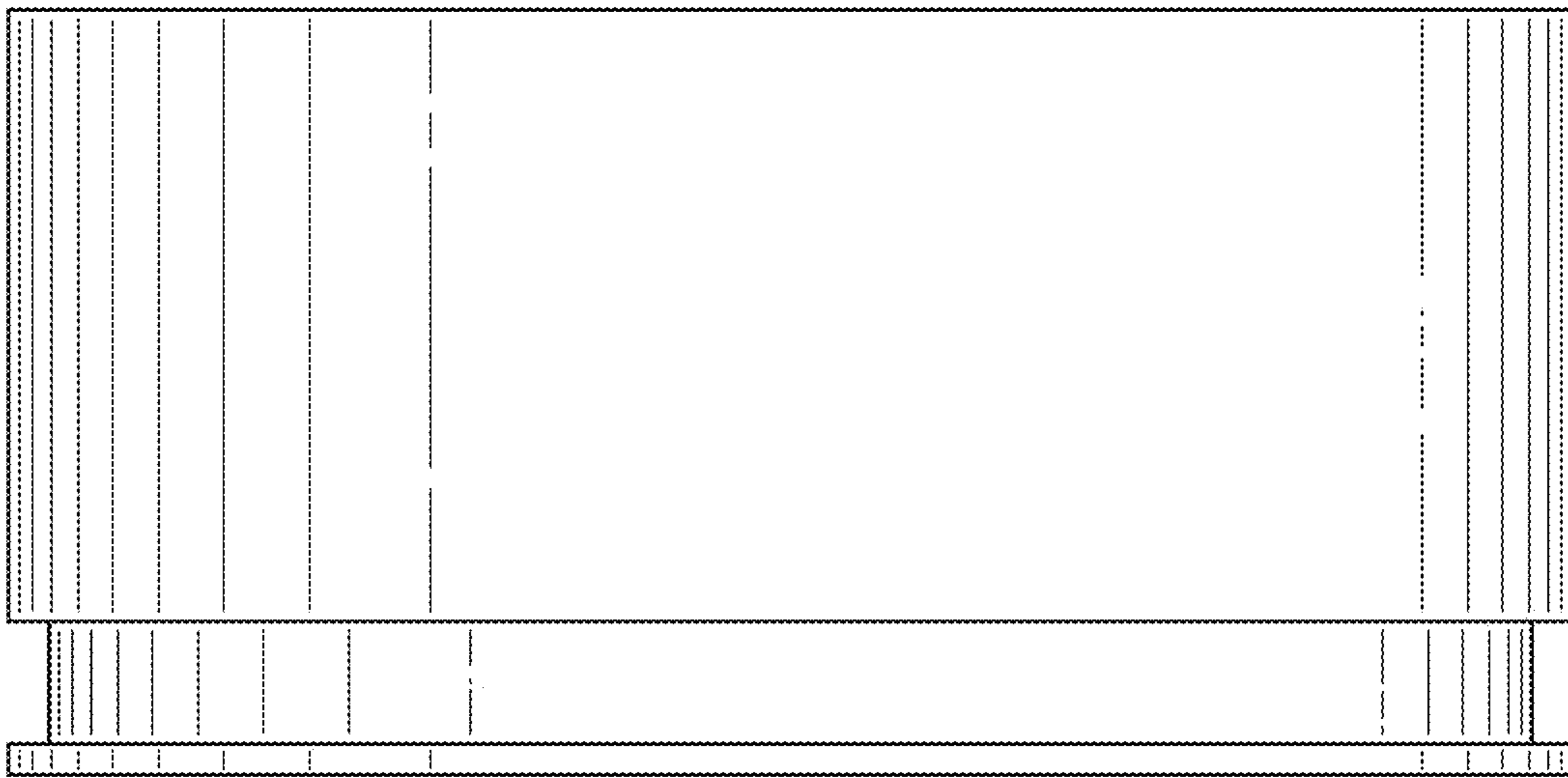


FIG. 5

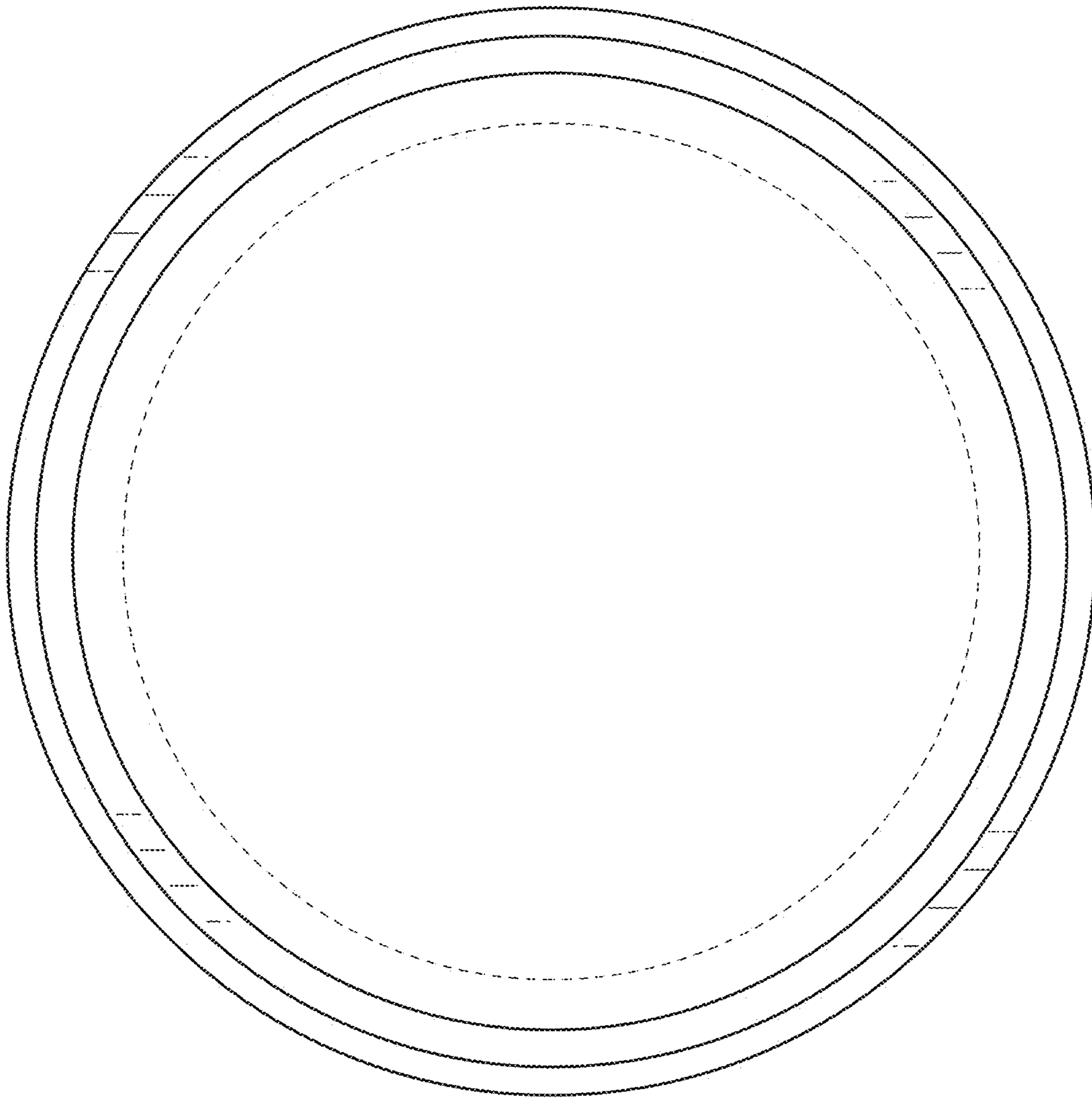


FIG. 6

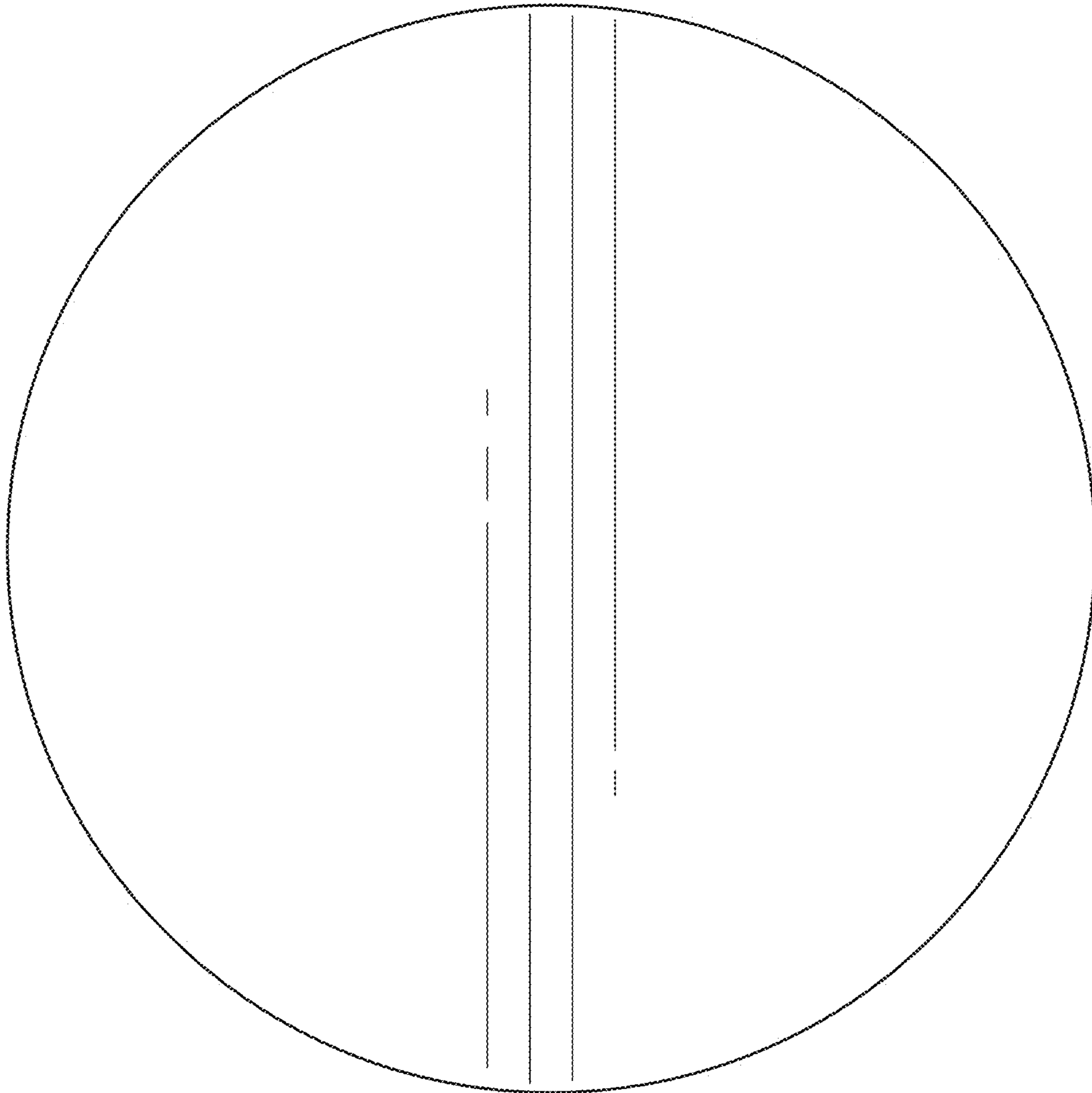


FIG. 7

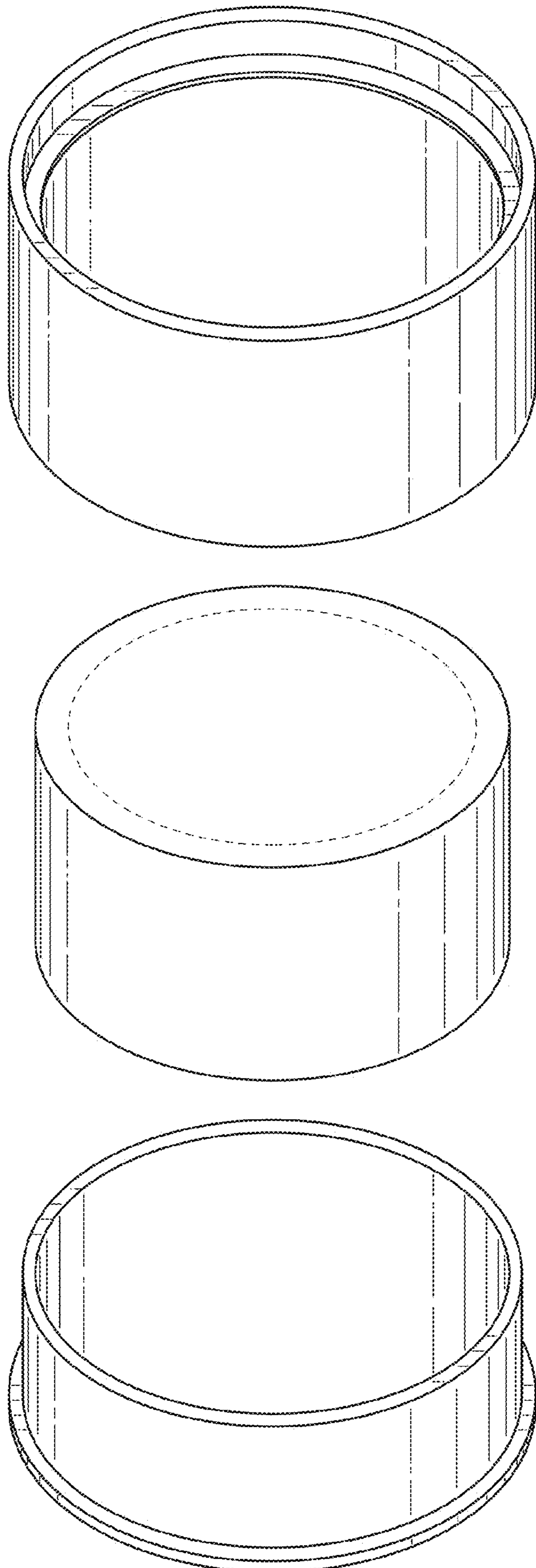


FIG. 8