



US00D969599S

(12) **United States Design Patent**
Brosche

(10) **Patent No.:** **US D969,599 S**

(45) **Date of Patent:** **** Nov. 15, 2022**

(54) **FASTENING CLIP**

(71) Applicant: **Mario Brosche**, Mering (DE)

(72) Inventor: **Mario Brosche**, Mering (DE)

(**) Term: **15 Years**

(21) Appl. No.: **29/746,536**

(22) Filed: **Aug. 14, 2020**

(30) **Foreign Application Priority Data**

Feb. 14, 2020	(EM)	007696133-0001
Feb. 14, 2020	(EM)	007696133-0002
Feb. 14, 2020	(EM)	007696133-0003
Feb. 14, 2020	(EM)	007696133-0004

(51) **LOC (13) Cl.** **08-08**

(52) **U.S. Cl.**
USPC **D8/394**

(58) **Field of Classification Search**

USPC D8/382, 72, 73, 354, 394, 395; D24/143;
D9/443

CPC F16B 2/02; F16B 2/10; F16B 2/20; F16B
2/205; F16B 2/22; F16B 2/24; F16B
45/06; F16B 12/26; F16B 12/20; F16B
5/0614; F16B 17/008; F16B 2005/0678;
F16B 21/16; A61B 17/122; A61B
2017/1225; A61B 17/1227; A47B
47/0075

See application file for complete search history.

(56) **References Cited**

U.S. PATENT DOCUMENTS

3,825,012	A *	7/1974	Nicoll	A61B 17/122 24/562
3,854,482	A *	12/1974	Laugherty	A61B 17/122 292/322
4,212,303	A *	7/1980	Nolan	A61B 17/122 606/120

(Continued)

FOREIGN PATENT DOCUMENTS

EM	007696133-0001	*	2/2020
EM	007696133-0004	*	2/2020

(Continued)

Primary Examiner — Sheryl Lane

Assistant Examiner — Ieisha N Price

(74) *Attorney, Agent, or Firm* — Hodgson Russ LLP

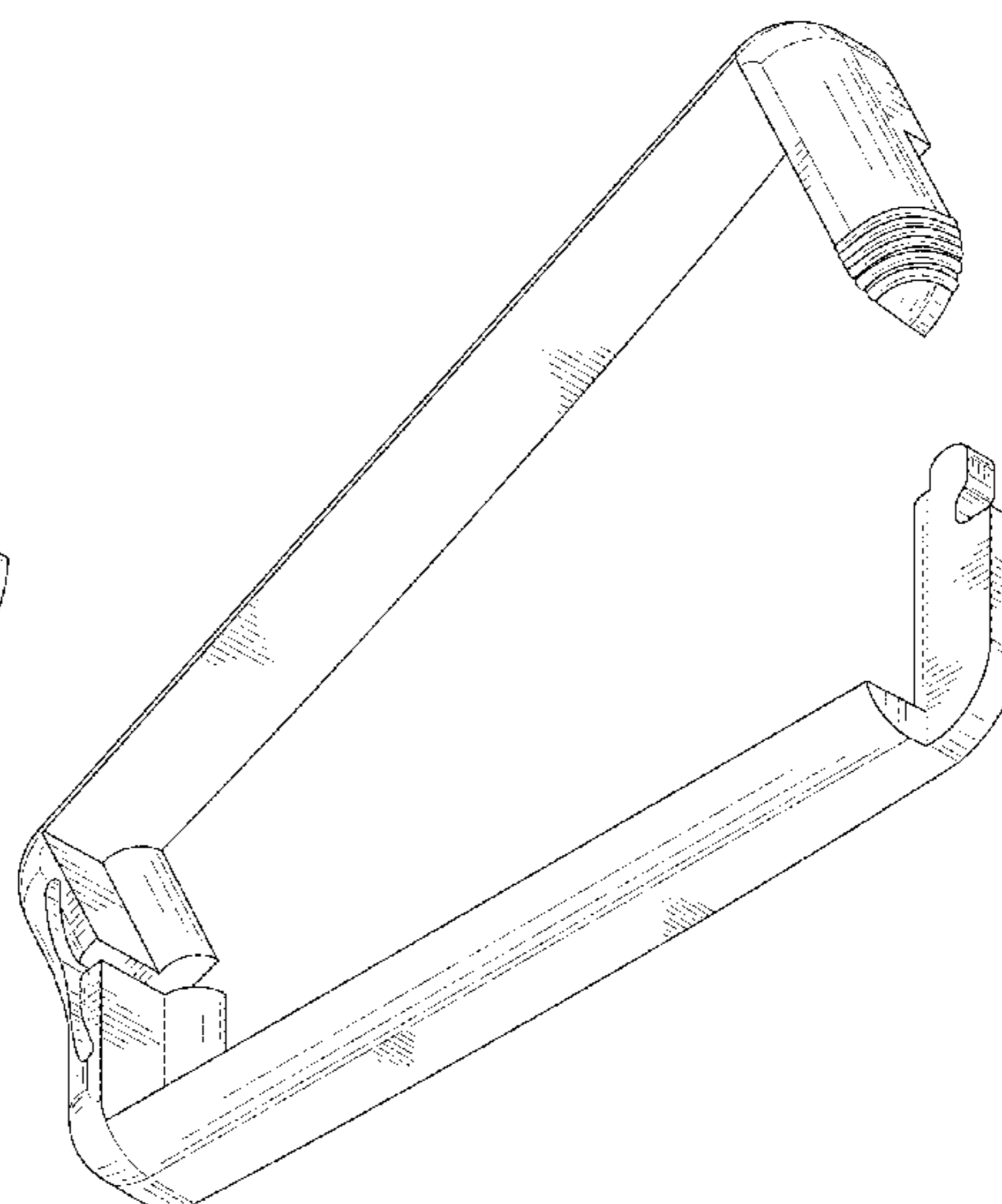
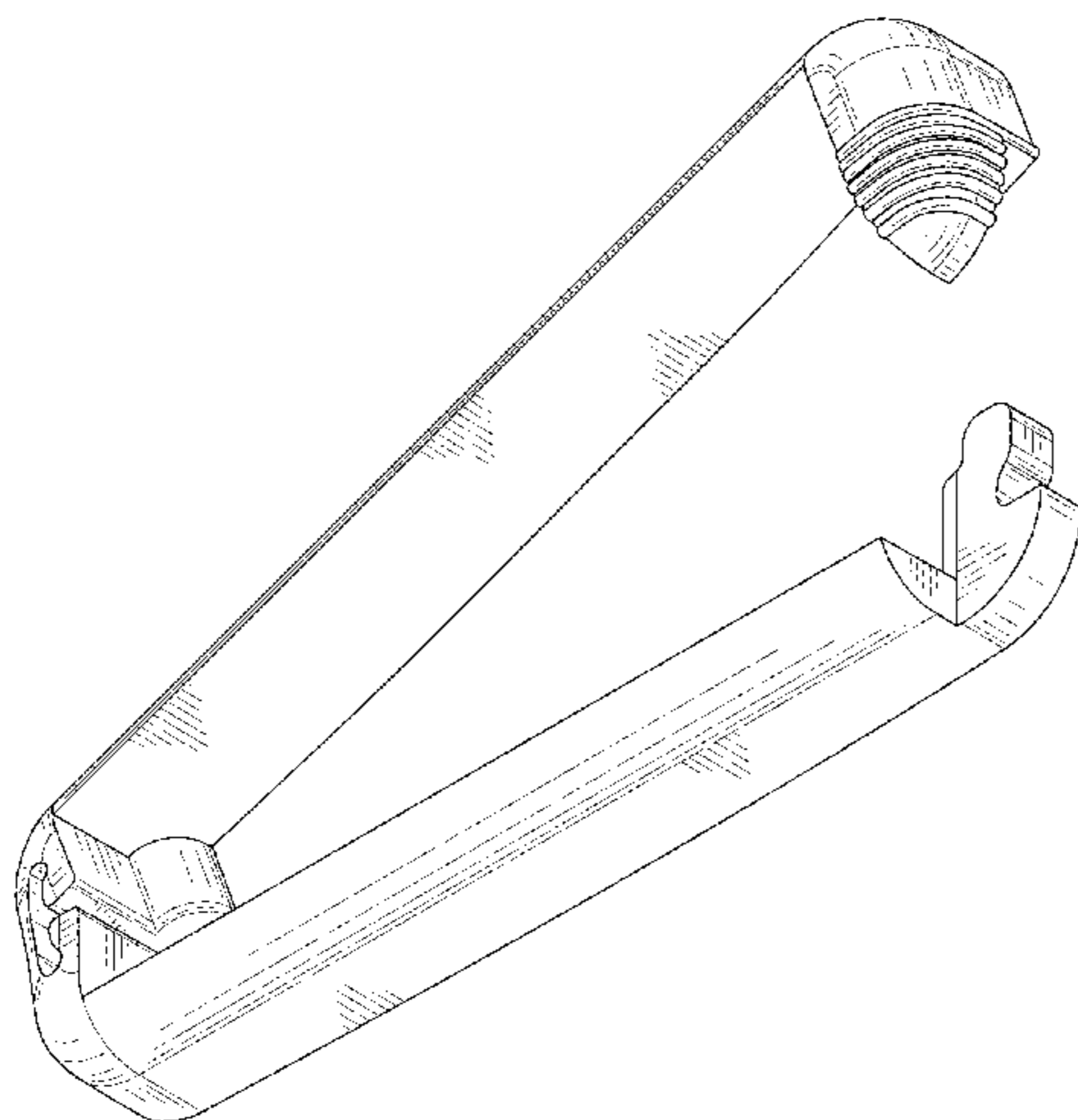
(57) **CLAIM**

The ornamental design for a fastening clip, as shown and described.

DESCRIPTION

FIG. 1 is a perspective view of a first embodiment of a fastening clip, showing my new design;
FIG. 2 is a front elevation view thereof;
FIG. 3 is a rear elevation view thereof;
FIG. 4 is a front elevation view thereof, showing the fastening clip in a closed position;
FIG. 5 is a bottom plan view thereof, showing the fastening clip in a closed position;
FIG. 6 is a rear elevation view thereof, showing the fastening clip in a closed position;
FIG. 7 is a perspective view thereof, showing the fastening clip in a closed position;
FIG. 8 is a perspective view of a second embodiment of a fastening clip;
FIG. 9 is a front elevation view thereof;
FIG. 10 is a rear elevation view thereof;
FIG. 11 is a front elevation view thereof, showing the fastening clip in a closed position;
FIG. 12 is a bottom plan view thereof, showing the fastening clip in a closed position;
FIG. 13 is a rear elevation view thereof, showing the fastening clip in a closed position; and,
FIG. 14 is a perspective view thereof, showing the fastening clip in a closed position.

1 Claim, 14 Drawing Sheets



(56)

References Cited

U.S. PATENT DOCUMENTS

4,325,526 A * 4/1982 Kitagawa F16L 3/23
24/336
D265,380 S * 7/1982 Addington 137/231
4,356,599 A * 11/1982 Larson H02G 3/32
24/304
D291,054 S * 7/1987 Niwa D8/325
D291,177 S * 8/1987 Santucci D8/382
D291,408 S * 8/1987 Nakano D8/325
D291,409 S * 8/1987 Themistos D8/329
D291,530 S * 8/1987 Takahashi D8/325
D308,017 S * 5/1990 Fujioka D8/382
D309,835 S * 8/1990 Stone, Jr. D8/394
D310,020 S * 8/1990 Fujioka D8/382
D329,373 S * 9/1992 Kaga D8/394
D329,374 S * 9/1992 Kaga D8/394
D350,696 S * 9/1994 Naslund D9/434
5,423,831 A * 6/1995 Nates A61B 17/122
24/598.2
5,598,608 A * 2/1997 Naslund B65D 33/1675
24/30.5 R
D381,463 S * 7/1997 Gerber D28/42
D384,459 S * 9/1997 Eisenman D9/434
5,676,676 A * 10/1997 Porter A61B 17/122
606/151
D389,732 S * 1/1998 Weishaar D8/356
5,713,912 A * 2/1998 Porter A61B 17/122
606/151
5,937,745 A * 8/1999 Boe H02G 3/26
100/2
D423,353 S * 4/2000 Blanchard D9/435

7,304,861 B2 * 12/2007 Takahashi H05K 3/301
248/74.3
D570,171 S * 6/2008 Benktzon D8/51
7,428,771 B2 * 9/2008 Fujii B65D 81/3266
24/30.5 R
D606,860 S * 12/2009 Hill D9/434
D673,272 S * 12/2012 Trivisani D24/143
9,220,507 B1 * 12/2015 Patel A61B 17/064
D753,989 S * 4/2016 Jakobsen D8/394
9,427,037 B1 * 8/2016 Atherton A41H 37/00
D770,886 S * 11/2016 Whitaker D8/394
9,717,888 B2 * 8/2017 Sos A61M 25/002
D807,161 S * 1/2018 Whitaker D8/394
D877,604 S * 3/2020 Sillitoe D8/394
D879,007 S * 3/2020 Dimovski D12/223
10,729,448 B2 * 8/2020 Patel A61B 17/122
D906,793 S * 1/2021 Tunney D8/382
2011/0099775 A1 * 5/2011 Chou H02G 3/32
24/489
2014/0217244 A1 * 8/2014 Shiga B60R 16/0215
248/49
2015/0291321 A1 * 10/2015 Ecker B65D 33/1675
24/30.5 R
2018/0087551 A1 * 3/2018 Chen F16B 12/2009
2019/0159782 A1 * 5/2019 Kamaraj A61B 17/1227
2021/0010512 A1 * 1/2021 Safar F16B 35/04
2021/0254655 A1 * 8/2021 Brosche F16B 2/10

FOREIGN PATENT DOCUMENTS

EM 001478069-0002 * 8/2020
WO WOD213617-001 * 7/2021

* cited by examiner

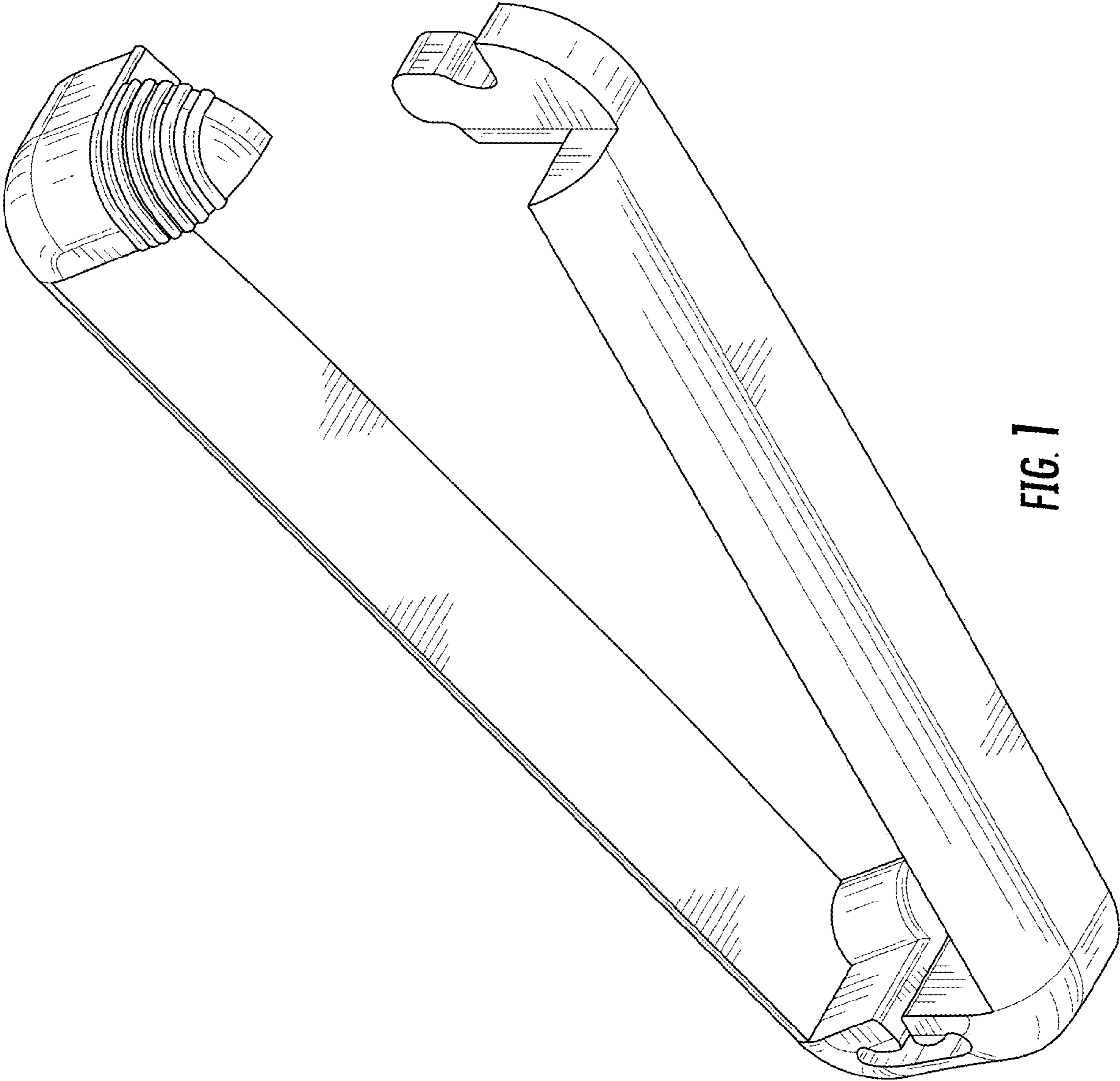


FIG. 1

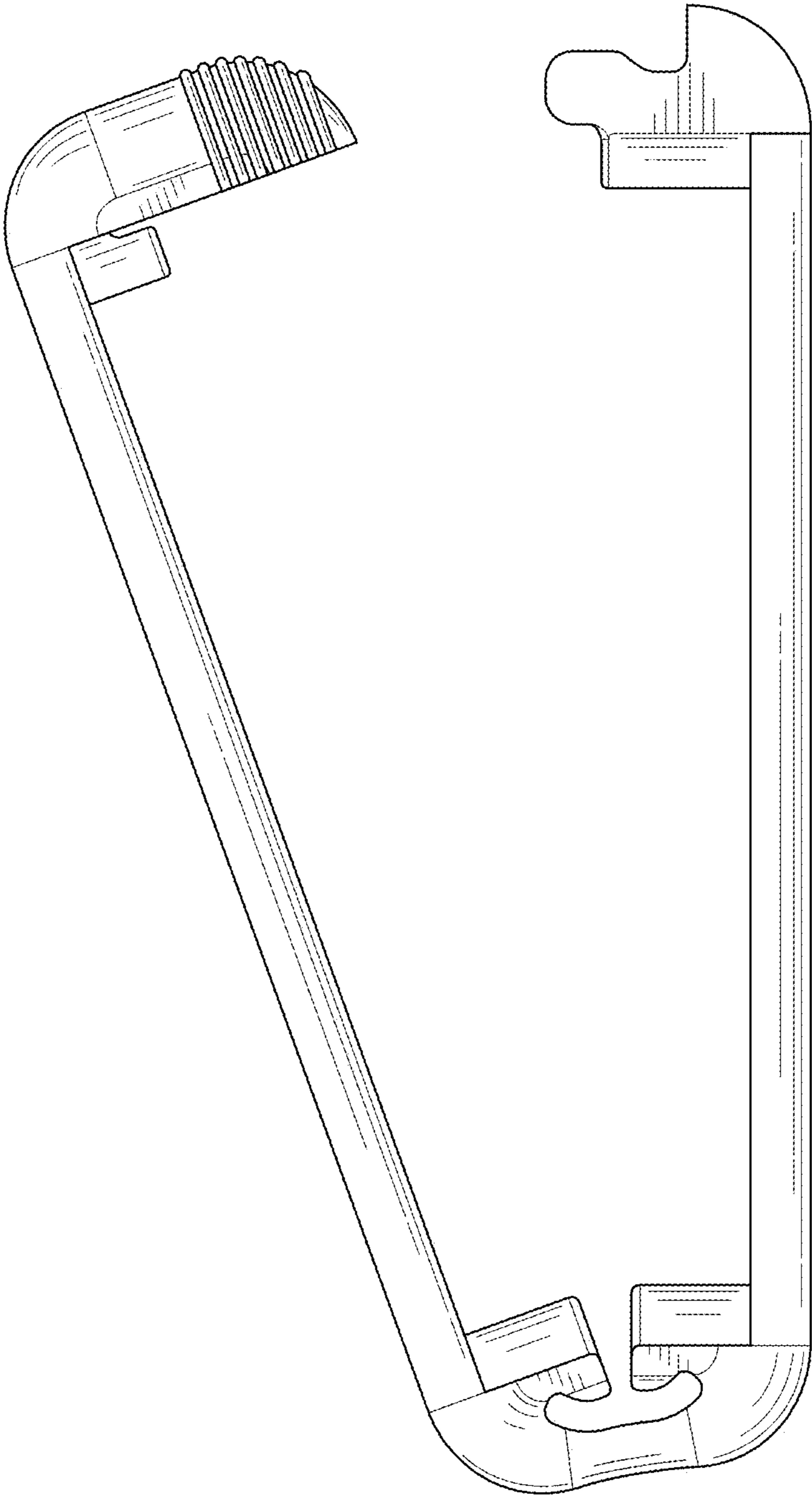


FIG. 2

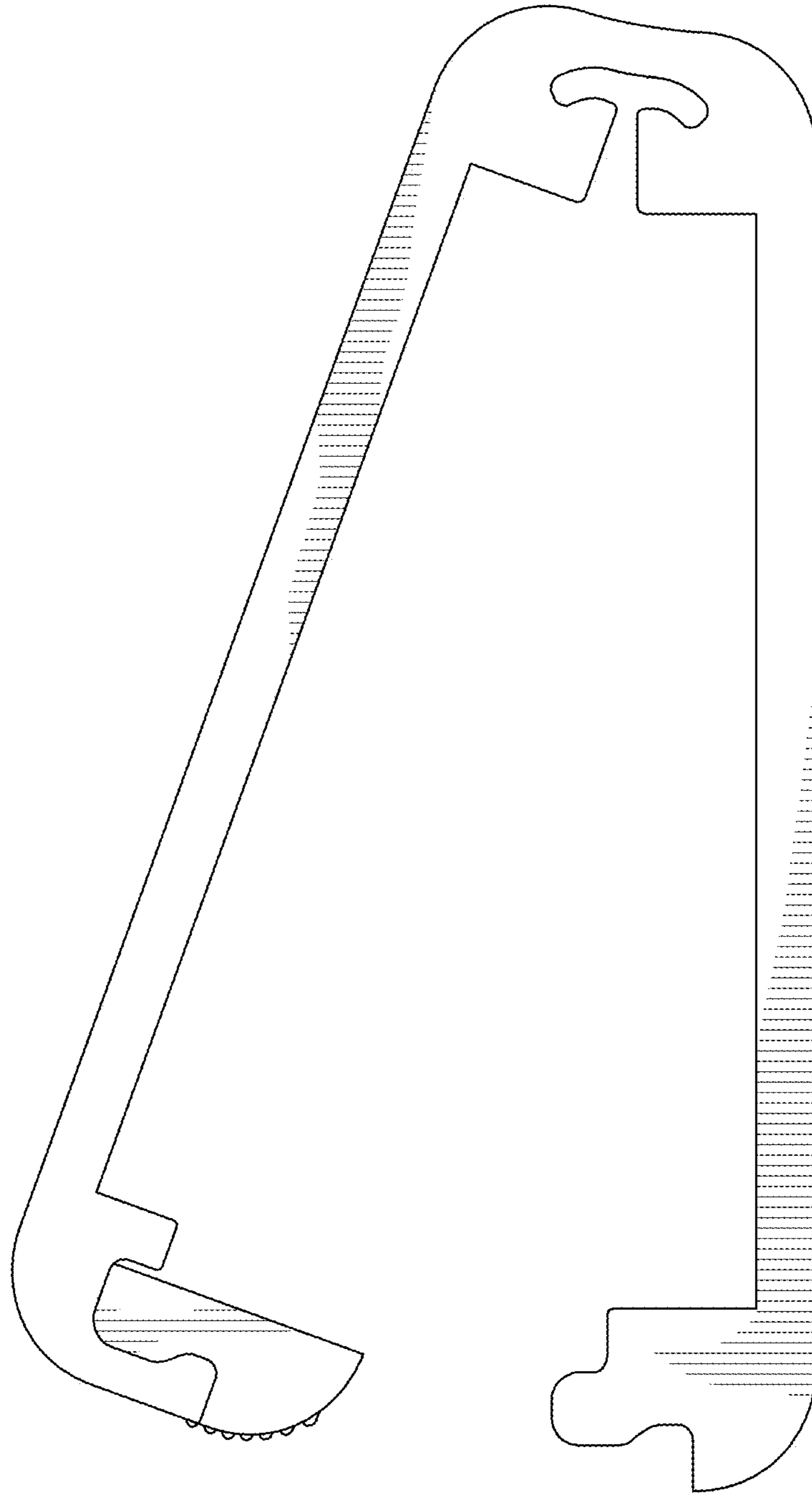


FIG. 3

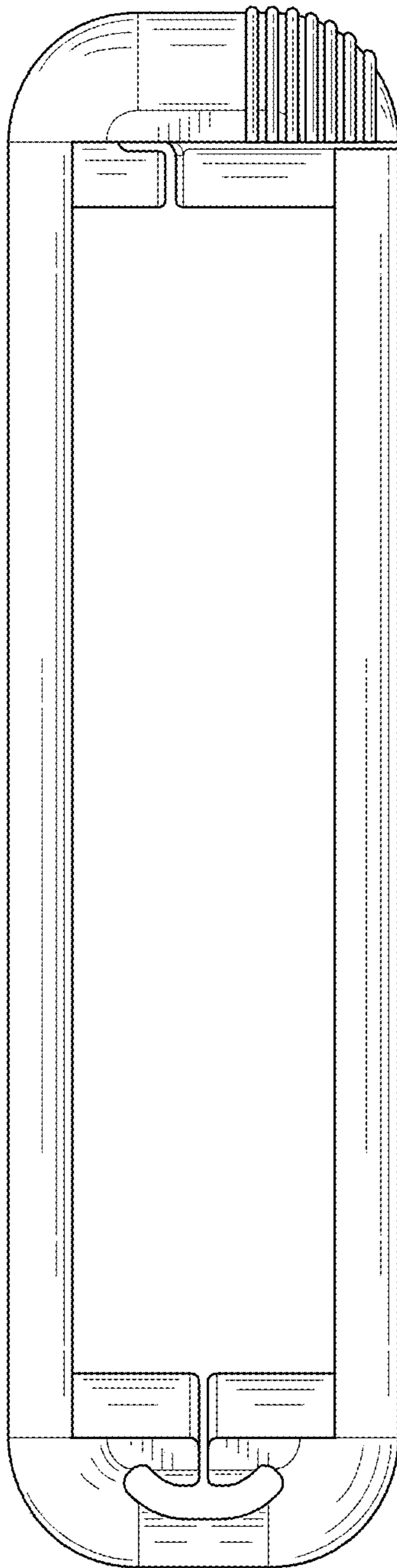


FIG. 4

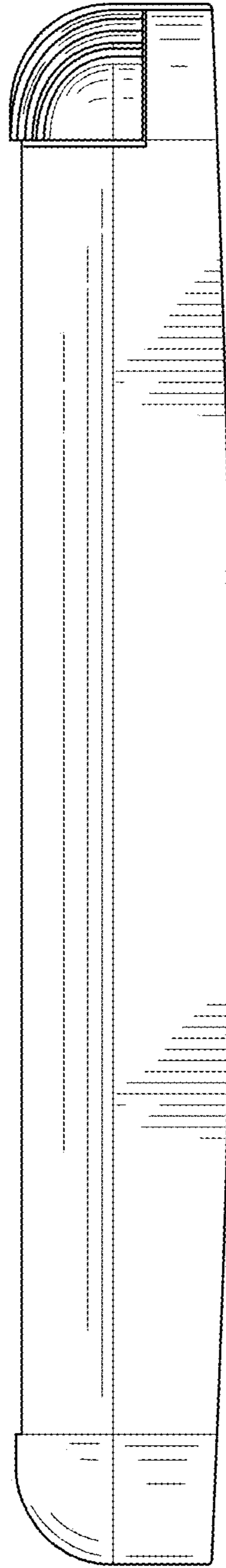


FIG. 5

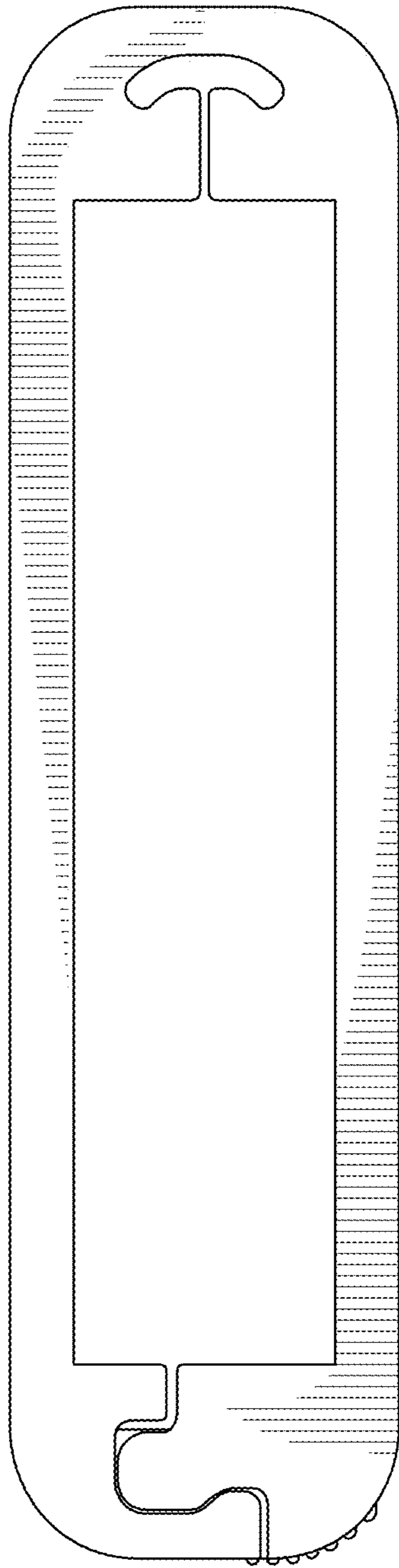


FIG. 6

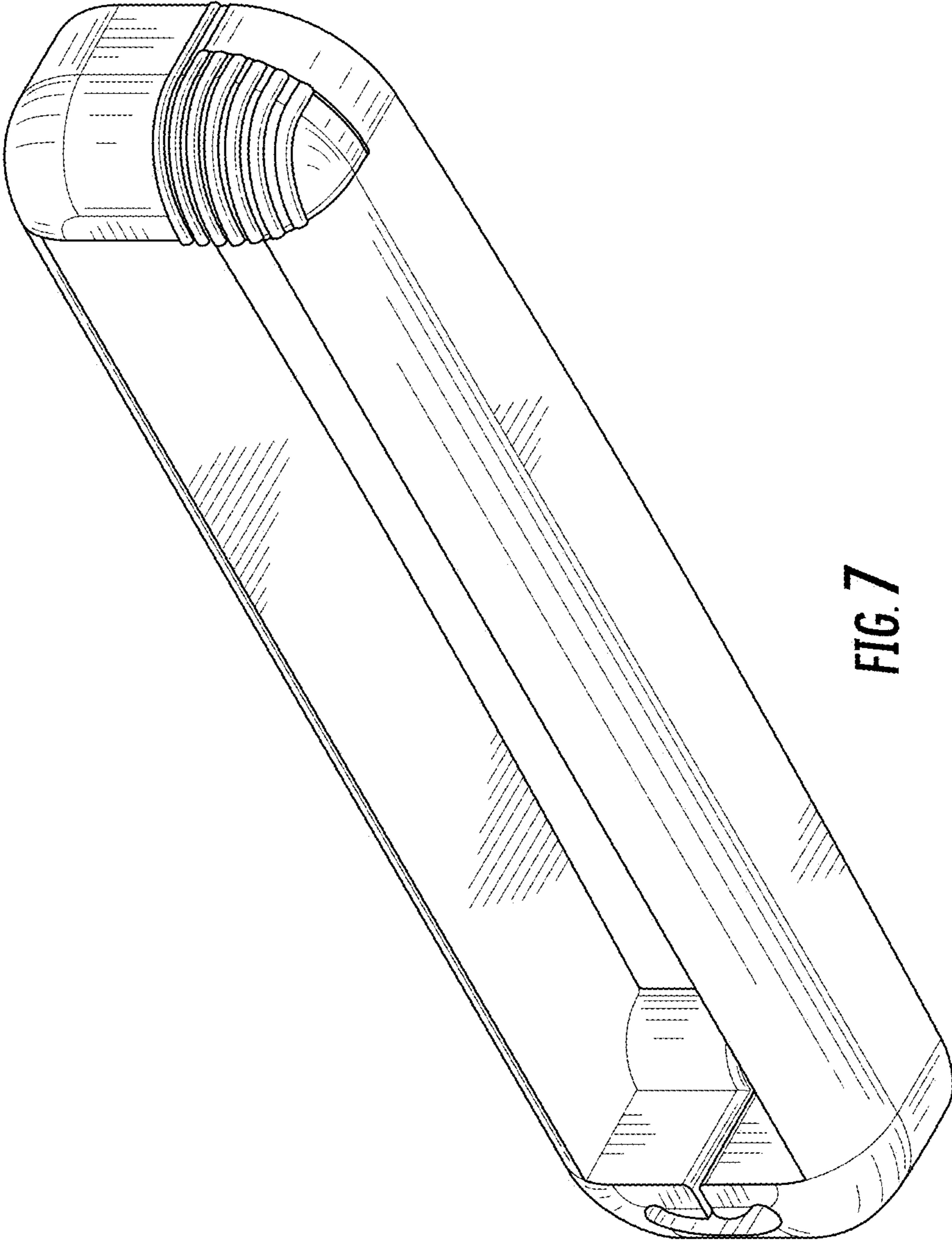
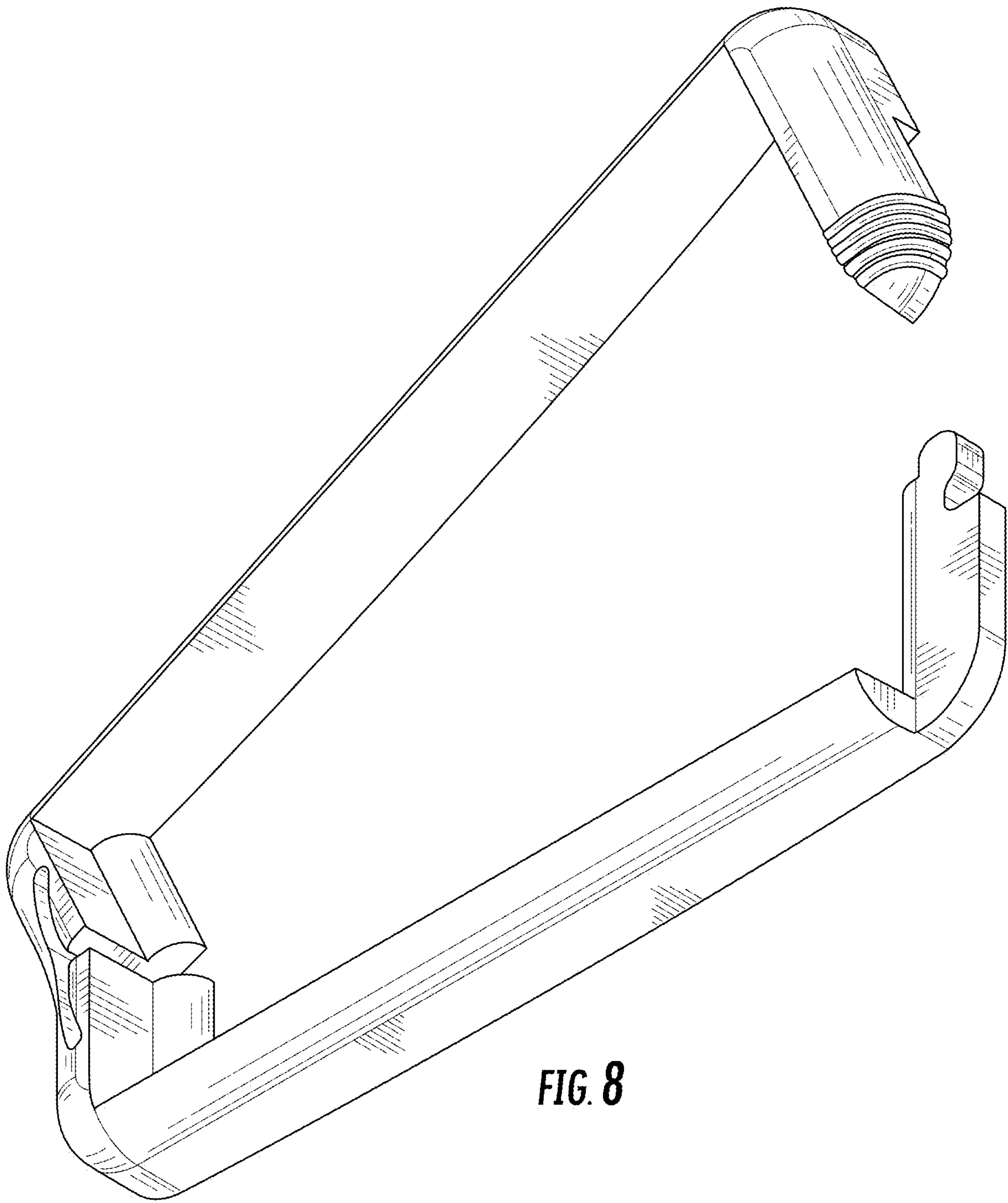


FIG. 7



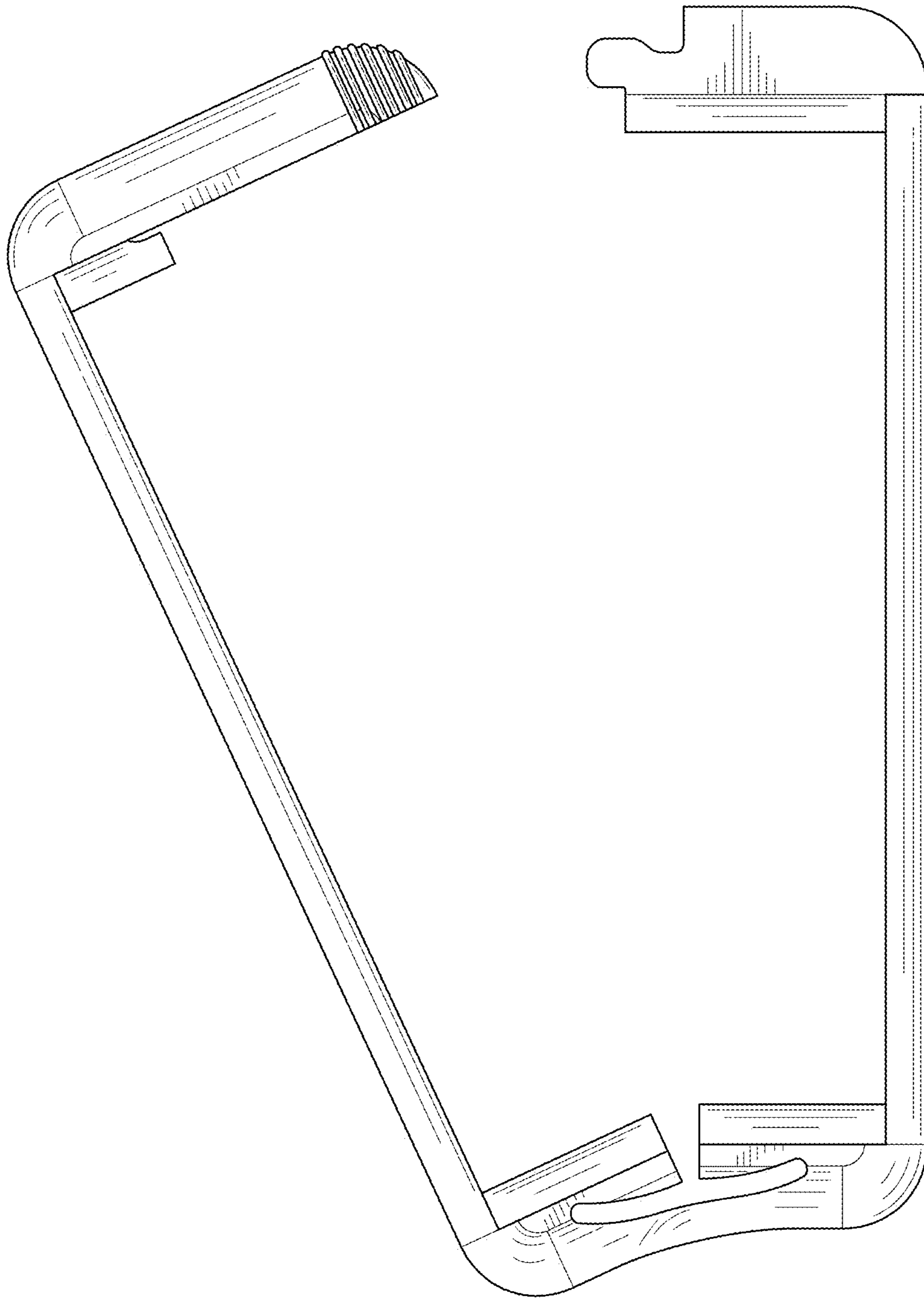


FIG. 9

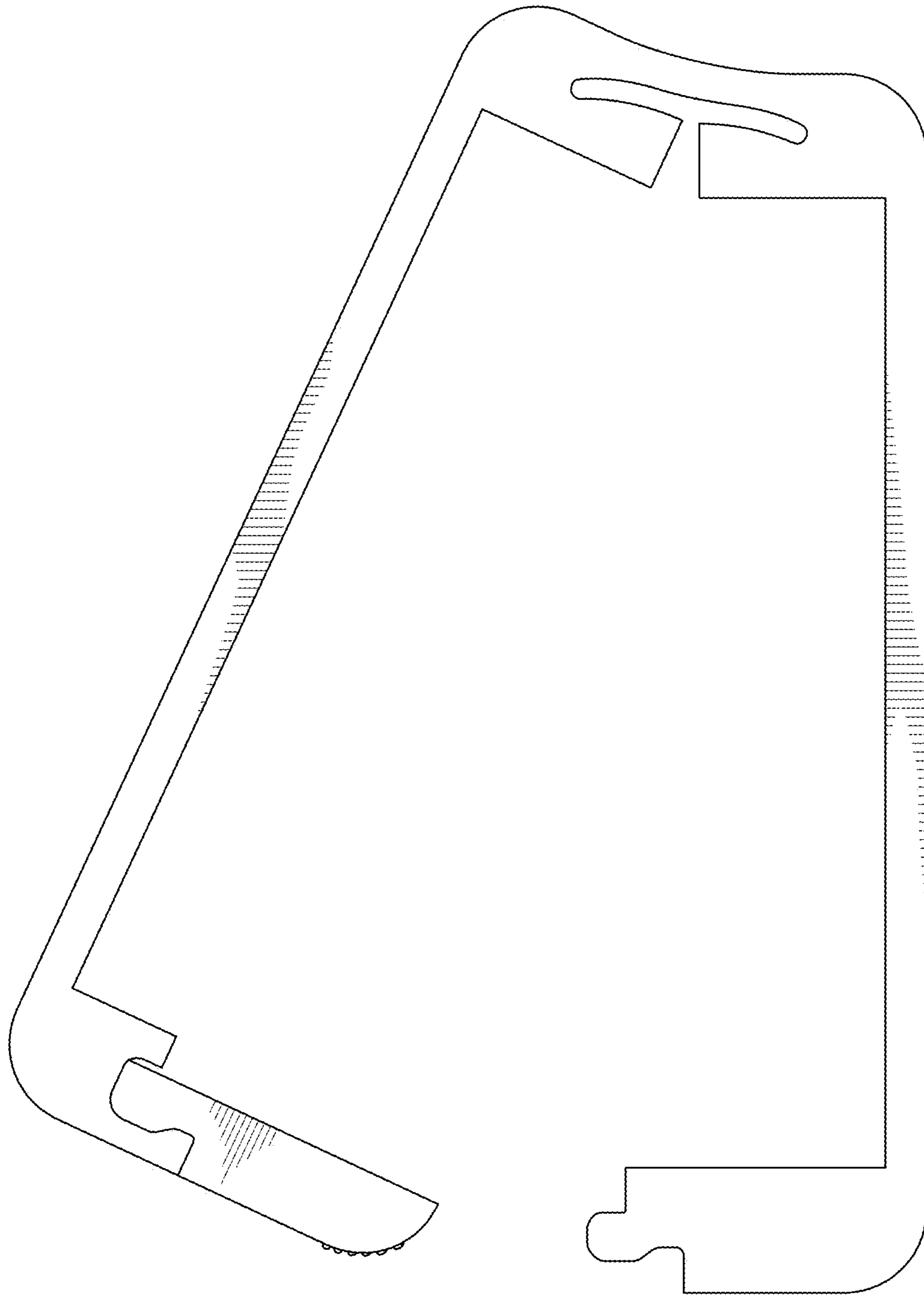


FIG. 10

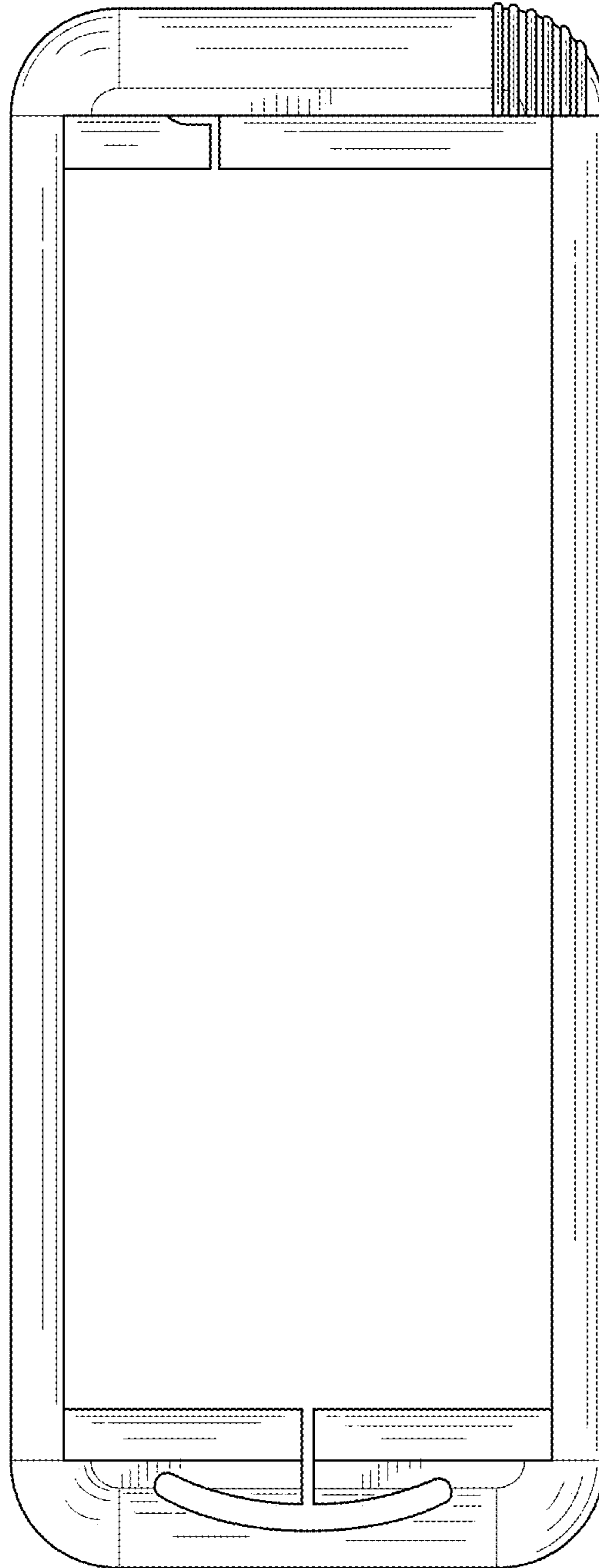


FIG. 11

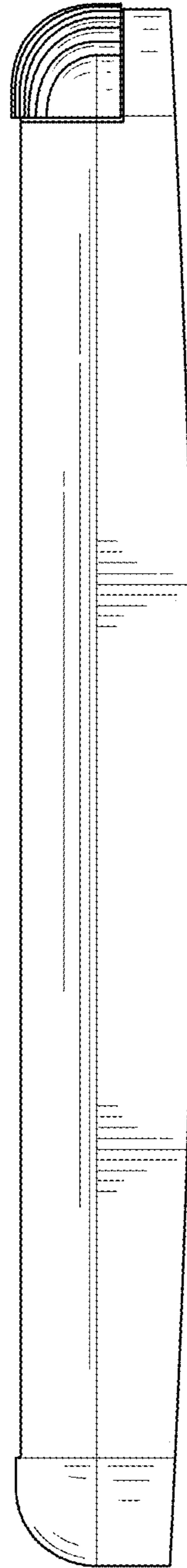


FIG. 12

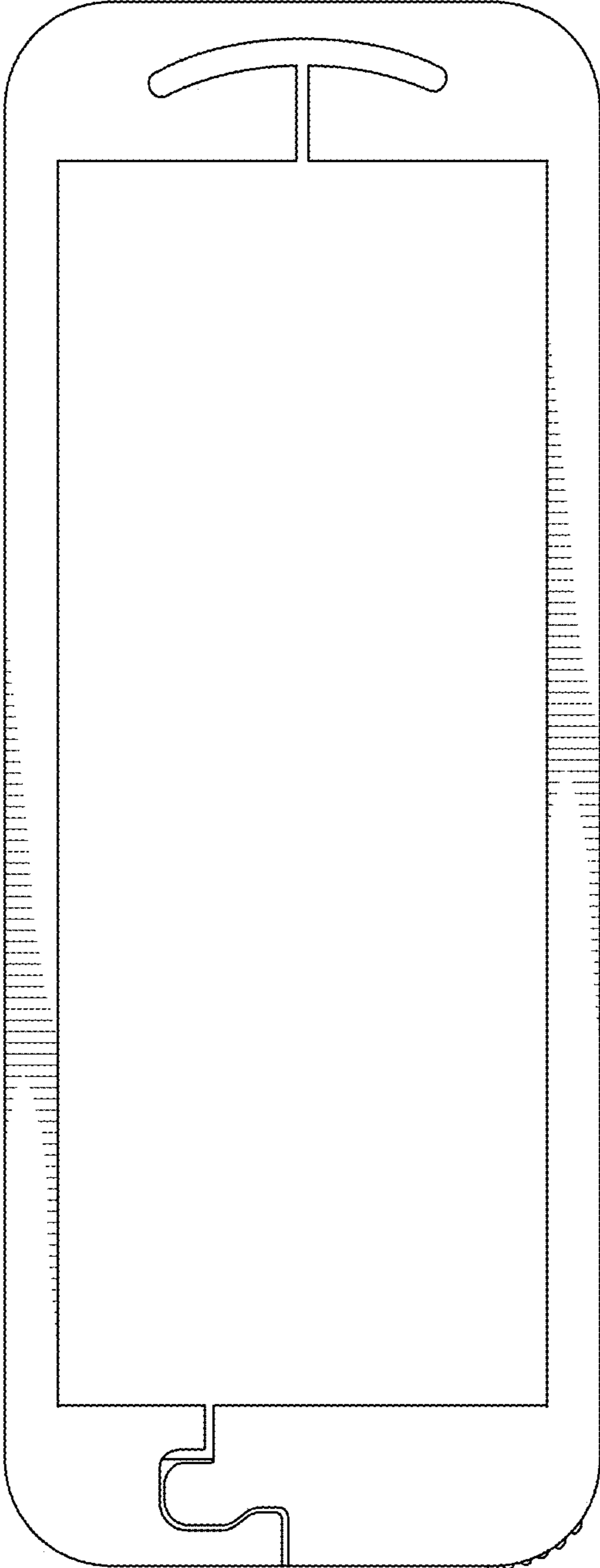


FIG. 13

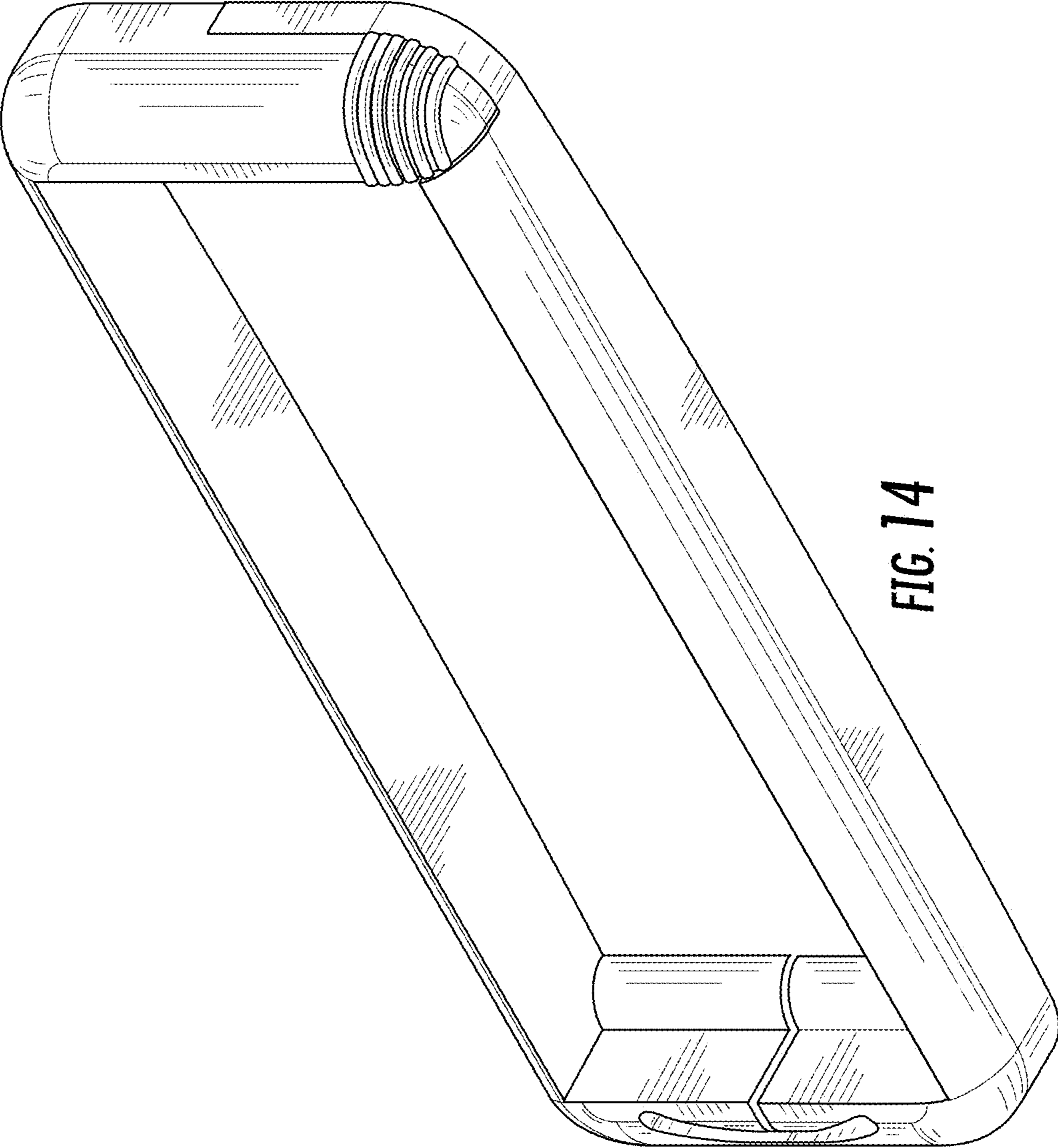


FIG. 14