



US00D969598S

(12) **United States Design Patent** (10) **Patent No.:** **US D969,598 S**
Sieracki et al. (45) **Date of Patent:** **** Nov. 15, 2022**

(54) **TUBE SECUREMENT DEVICE**
(71) Applicant: **3M INNOVATIVE PROPERTIES COMPANY**, Saint Paul, MN (US)
(72) Inventors: **James M. Sieracki**, Plymouth, MN (US); **Michael J. Turnbull**, Woodbury, MN (US); **Denise J. Ziemann**, Fridley, MN (US); **Kimberly A. Schommer**, Hudson, WI (US); **Amanda C. Engler**, Woodbury, MN (US)
(73) Assignee: **3M Innovative Properties Company**, St. Paul, MN (US)
(**) Term: **15 Years**
(21) Appl. No.: **29/693,315**
(22) Filed: **May 31, 2019**
(51) **LOC (13) Cl.** **08-08**
(52) **U.S. Cl.**
USPC **D8/383**
(58) **Field of Classification Search**
USPC D14/126-127, 224, 239, 371-374, 434, D14/451-452; D25/119-125, 61, 164, D25/199; D6/681, 705-706; D8/349, D8/354-356, 373, 376-377, 380, 382-383
CPC E04B 1/2608; E04B 1/2612; E04B 1/2403; E04B 1/38; E04B 1/40; F16G 11/10; F16G 11/101; F16G 11/103; F16G 11/12; F16G 11/14; F16G 11/02; F16G 11/03; F16G 11/06; F16G 11/106; F16G 11/143; A47H 1/03; A47H 1/14; A47H 1/142; A47H 1/122; A47H 13/01; A47H 5/02; F16B 2/065; F16B 45/00; F16B 2/08; F16B 2/22; F16B 2200/10; F16B 2200/503; F16B 25/0005; F16B 25/0015; F16B 25/0036; F16B 25/0063; F16B 25/0073; F16B 25/0084; F16B 25/103; F16B 7/00; F16B

(Continued)

(56) **References Cited**
U.S. PATENT DOCUMENTS
2,050,045 A 8/1936 Eden, Jr.
D246,346 S 11/1977 Strunk
(Continued)

FOREIGN PATENT DOCUMENTS
CN 100500243 8/2007
CN 205698801 11/2016
(Continued)

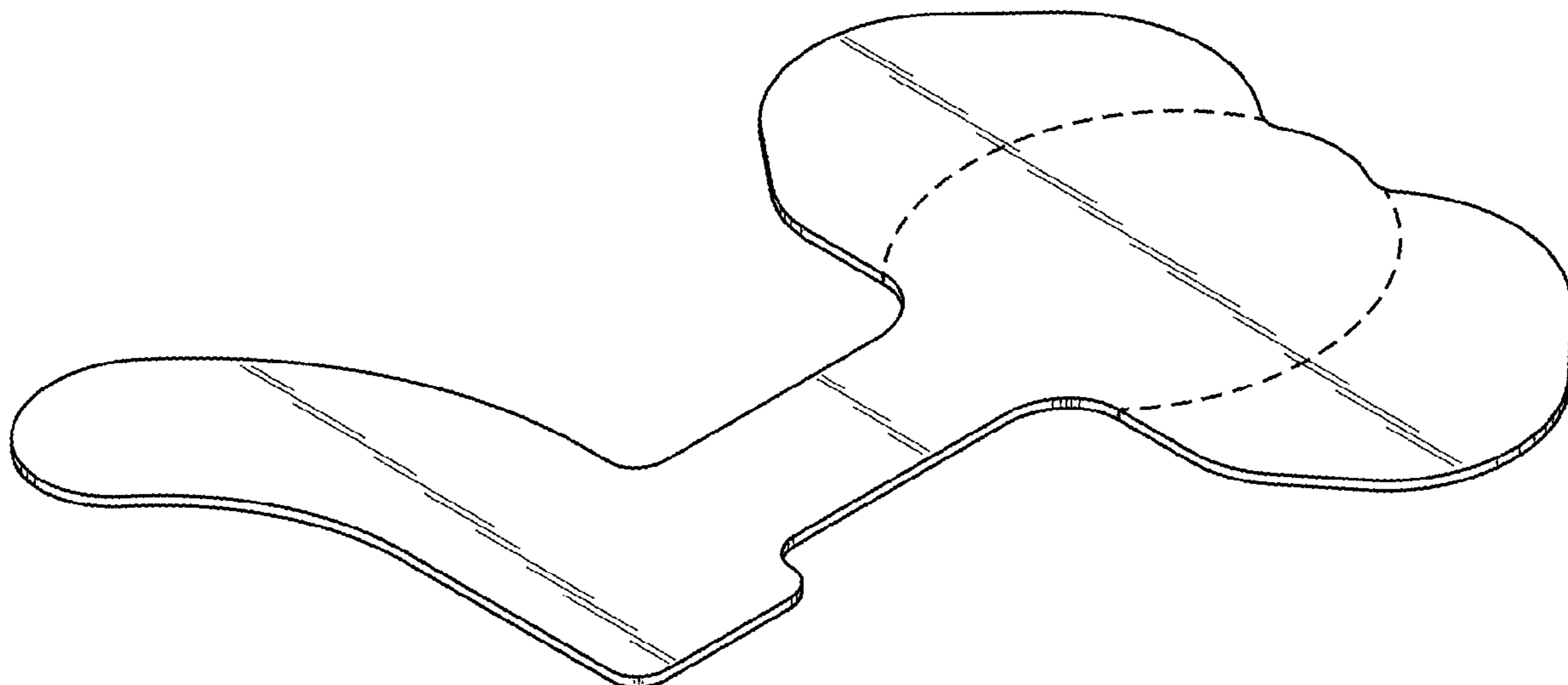
OTHER PUBLICATIONS
Centurion Nasogastric Securement Device, Date Visited: Mar. 22, 2022, Royal Swimming Pools, Date Available: Mar. 22, 2022, <https://www.walmart.com/ip/Centurion-Nasogastric-Securement-Device-Box-of-50-Model-NGS291XT/637641372> (Year: 2022).*
(Continued)

Primary Examiner — Karen S Acker
Assistant Examiner — Elizabeth S Ko
(74) *Attorney, Agent, or Firm* — Qiang Han

(57) **CLAIM**
The ornamental design for a tube securement device, as shown and described.

DESCRIPTION
FIG. 1 is a perspective view showing the new design for a tube securement device;
FIG. 2 is a front view thereof;
FIG. 3 is a back view thereof;
FIG. 4 is a right side view thereof;
FIG. 5 is a left side view thereof;
FIG. 6 is a top view thereof; and,
FIG. 7 is a bottom view thereof.
The broken lines in the drawings depict features of the tube securement device that form no part of the claimed design.

1 Claim, 2 Drawing Sheets



(58) **Field of Classification Search**
 CPC 7/0493; F16B 7/105; F16B 9/052; F16B
 9/058
 See application file for complete search history.

(56) **References Cited**

U.S. PATENT DOCUMENTS

| | | | | |
|------------|-----|---------|------------------|---------|
| D291,406 | S | 8/1987 | McNeese | |
| 5,056,191 | A | 10/1991 | Love | |
| 5,113,921 | A | 5/1992 | Pool | |
| D361,021 | S | 8/1995 | Harper | |
| D409,522 | S | 5/1999 | Satterfield | |
| 6,317,925 | B1 | 11/2001 | Pietryga | |
| 6,579,587 | B2 | 6/2003 | Schnoebelen, Jr. | |
| D491,046 | S | 6/2004 | Johnson | |
| D565,401 | S | 4/2008 | Grady | |
| D599,196 | S | 9/2009 | Ruffin | |
| 7,624,480 | B2 | 12/2009 | Coronel | |
| 7,638,015 | B2 | 12/2009 | Schnoebelen, Jr. | |
| D630,328 | S | 1/2011 | Fishburne, Jr. | |
| 8,203,077 | B2 | 6/2012 | Honeycutt | |
| D666,722 | S | 9/2012 | Dragan | |
| D720,849 | S * | 1/2015 | Kyvik | D24/128 |
| 8,978,205 | B2 | 3/2015 | Kim | |
| D756,073 | S | 5/2016 | Mahoney | |
| 9,340,341 | B2 | 5/2016 | Farrell | |
| 9,601,880 | B2 | 3/2017 | Rynaski | |
| D788,298 | S * | 5/2017 | Guyuron | D24/135 |
| D813,016 | S | 3/2018 | Deneau | |
| D827,144 | S * | 8/2018 | Oliveira | D24/189 |
| 10,104,790 | B2 | 10/2018 | Lee | |
| 10,120,421 | B1 | 11/2018 | Hong | |
| D846,114 | S * | 4/2019 | Kyvik | D24/128 |
| D858,762 | S * | 9/2019 | Ierulli | D24/135 |
| D859,691 | S * | 9/2019 | Dintheer | D8/402 |
| D861,456 | S * | 10/2019 | Sandoval | D8/323 |
| D862,707 | S * | 10/2019 | Roelse | D24/184 |

| | | | | |
|--------------|-----|---------|-----------------|---------|
| D868,267 | S * | 11/2019 | Del Rossi | D24/189 |
| D881,388 | S * | 4/2020 | Ziemann | D24/128 |
| D893,034 | S * | 8/2020 | Kase | D24/189 |
| D904,624 | S * | 12/2020 | Del Rossi | D24/189 |
| D927,703 | S * | 8/2021 | Toth | D24/189 |
| D928,312 | S * | 8/2021 | Turnbull | D24/128 |
| D928,331 | S * | 8/2021 | Toth | D24/189 |
| D930,842 | S * | 9/2021 | Toth | D24/189 |
| D931,470 | S * | 9/2021 | Toth | D24/189 |
| D931,471 | S * | 9/2021 | Toth | D24/189 |
| D931,472 | S * | 9/2021 | Toth | D24/189 |
| D934,433 | S * | 10/2021 | Sieracki | D24/189 |
| 2001/0013277 | A1 | 8/2001 | Galkiewicz | |
| 2005/0161249 | A1 | 7/2005 | McBain | |
| 2006/0032032 | A1 | 2/2006 | Cheng | |
| 2010/0304324 | A1 | 12/2010 | Dragan | |
| 2017/0246632 | A1 | 8/2017 | Slepian | |

FOREIGN PATENT DOCUMENTS

| | | |
|----|----------------|---------|
| JP | 2002-253602 | 9/2002 |
| JP | D1628755 | 4/2019 |
| JP | D1629020 | 4/2019 |
| KR | 200416835 | 5/2006 |
| KR | 100858334 | 9/2007 |
| WO | WO 1997-24222 | 10/1997 |
| WO | WO 2017-034907 | 3/2017 |
| WO | WO 2017-034909 | 3/2017 |
| WO | WO 2017-034911 | 3/2017 |
| WO | WO 2017-034912 | 3/2017 |

OTHER PUBLICATIONS

Cath-Fix™ Securement device, Date Visited: Mar. 22, 2022, Barbour
 Plastics, Date Available: Mar. 22, 2022, <http://www.optimalmedical.com.sg/product/cath-fix-securement-device/> (Year: 2022).*

* cited by examiner

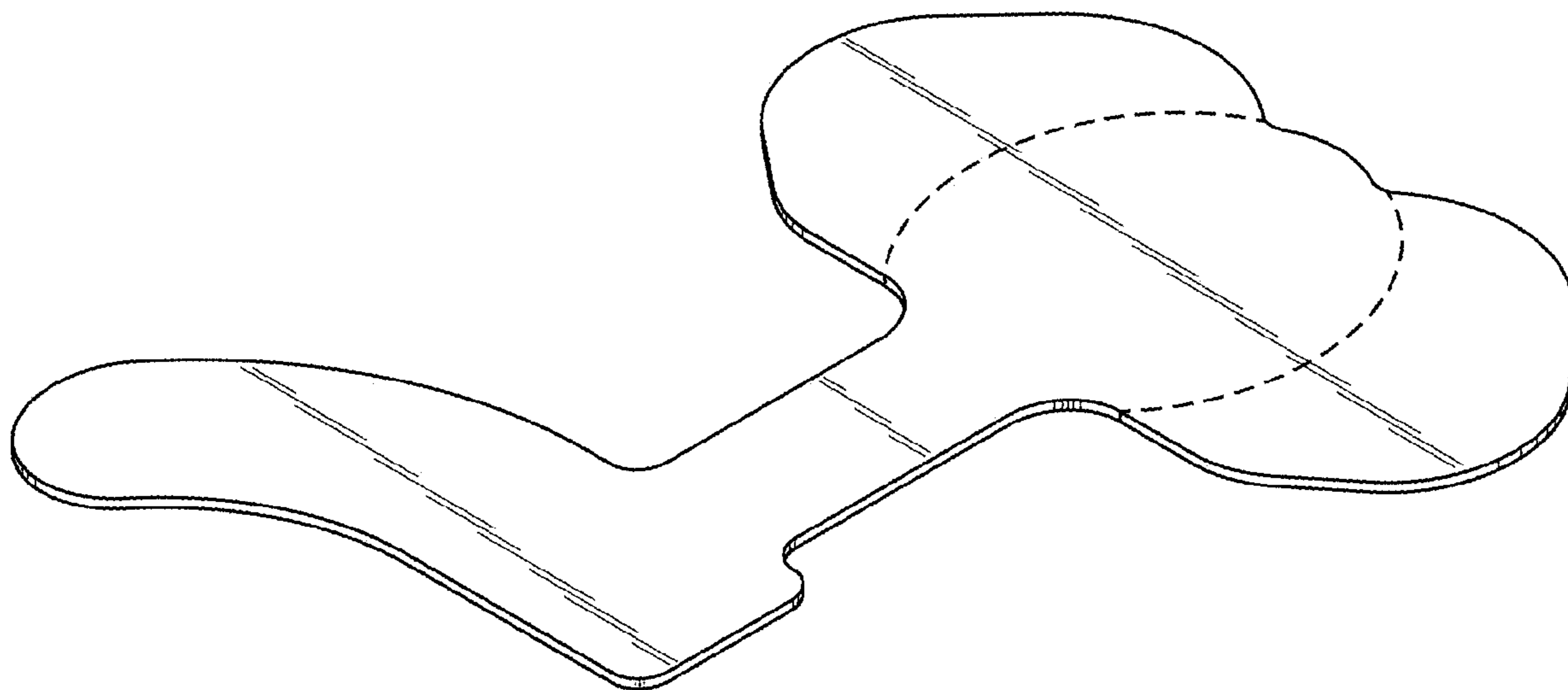


Fig. 1

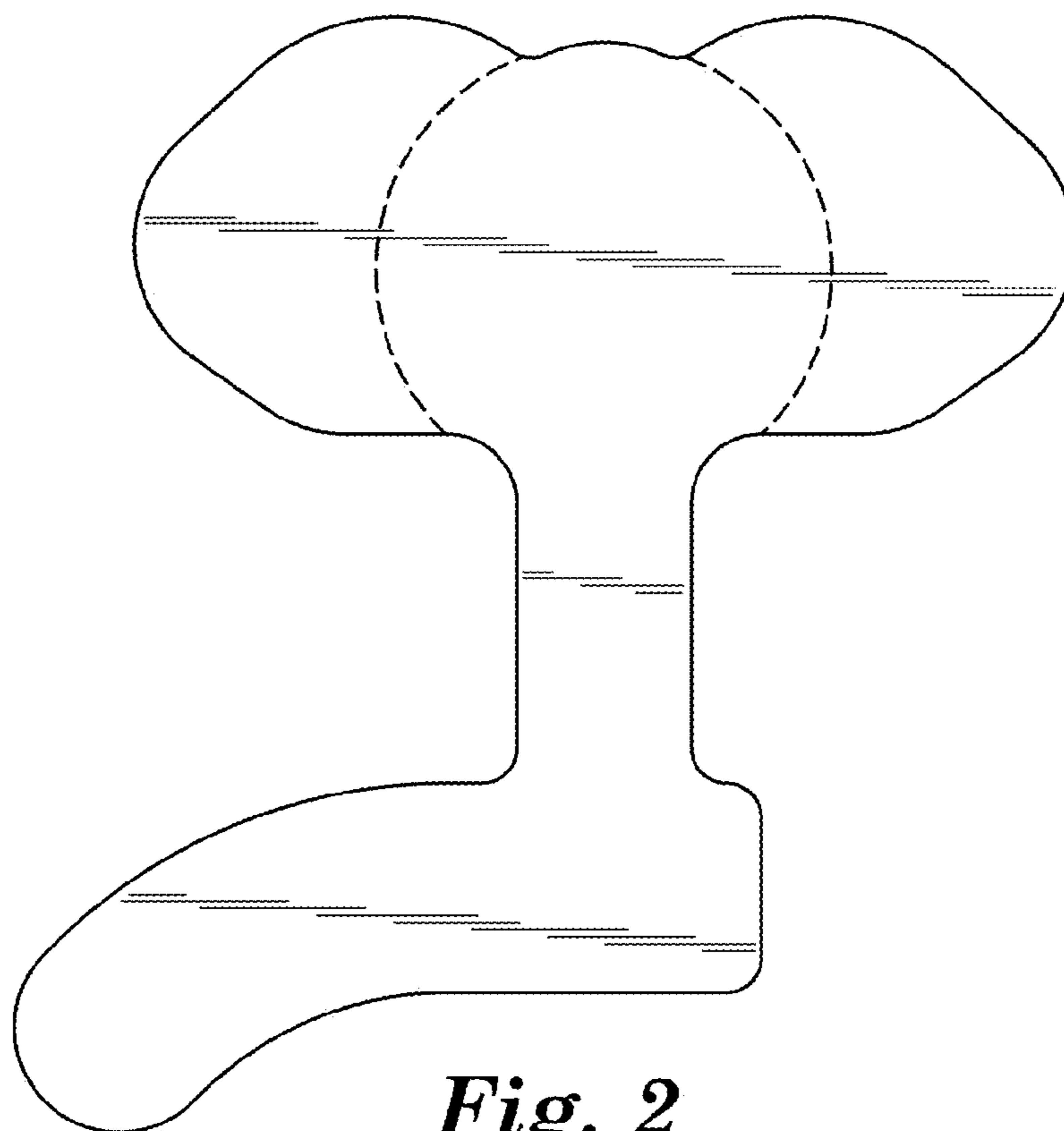


Fig. 2

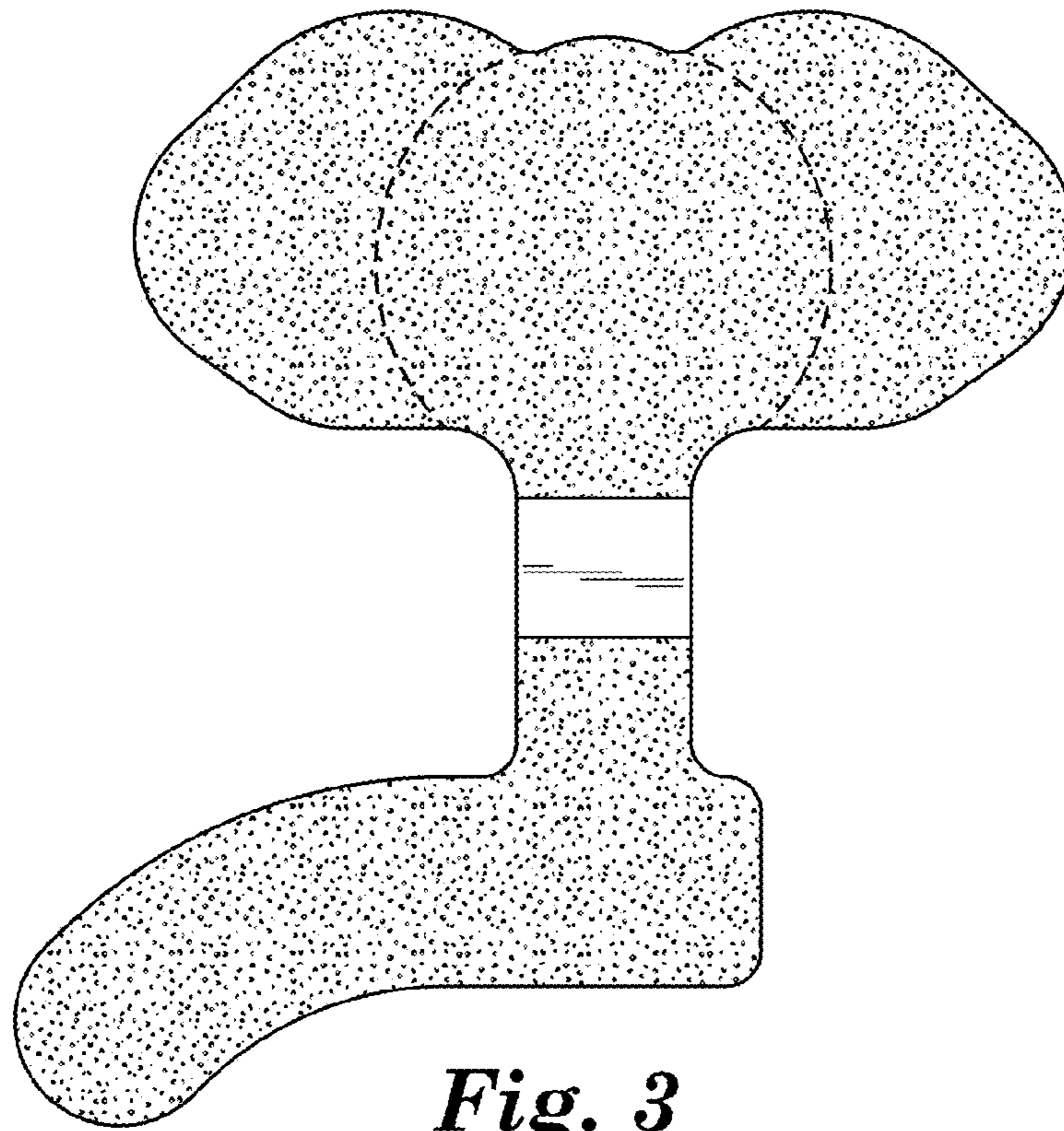


Fig. 3



Fig. 4



Fig. 5

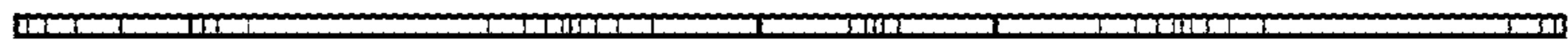


Fig. 6



Fig. 7