



US00D969596S

(12) **United States Design Patent** (10) **Patent No.:** **US D969,596 S**
Hjort (45) **Date of Patent:** **** Nov. 15, 2022**

(54) **FASTENING DEVICE, WITHOUT ANVIL**

FOREIGN PATENT DOCUMENTS

(71) Applicant: **MAFI AB**, Mora (SE)

CN 306585627 * 6/2021
IN 336052-001-0001 * 12/2021

(72) Inventor: **Joakim Hjort**, Mora (SE)

OTHER PUBLICATIONS

(73) Assignee: **MAFI AB**, Mora (SE)

(**) Term: **15 Years**

Lindab C1SRP Perforated Fastening Device for Ridge, Google.com, [online], [site visited Jan. 15, 2022], Available from internet URL: <https://guttercentre.co.uk/lindab-coverline-steel-roof-system/8840-872804-lindab-c1srp-perforated-fastening-device-for-ridge.html> (Year: NA).*

(21) Appl. No.: **29/697,034**

Industrial Cabinet Equipment Fastening Device Door Rod Control Locks Google.com, [online], [site visited Jan. 15, 2022], Available from internet URL: https://www.alibaba.com/product-detail/Industrial-Cabinet-Equipment-Fastening-Device-Door_60750610352.html (Year: NA).*

(22) Filed: **Jul. 3, 2019**

Raking Tower Leg Offset Google.com, [online], [site visited Mar. 21, 2022], Available from internet URL: <https://www.mafigroup.com/products/?gpage=6&gparent=s010> (Year: NA).*

(30) **Foreign Application Priority Data**

Jan. 23, 2019 (EM) 006082095

(51) **LOC (13) Cl.** **08-08**

(52) **U.S. Cl.**
USPC **D8/382**

(58) **Field of Classification Search**
USPC D8/382, 394, 72, 73, 354, 356, 367, 370,
D8/380, 389, 397; D12/118; D10/31,
D10/33, 38; D16/242, 245
CPC ... F16L 3/1091; F16L 3/16; F16L 3/18; F16L
1/0246; F16L 5/07; F16B 2/065; F16B
5/0628; F16B 5/065; F16B 35/005; F16B
21/16

See application file for complete search history.

* cited by examiner

Primary Examiner — Omeed Agilee

Assistant Examiner — Rozita Mozaffarian

(74) *Attorney, Agent, or Firm* — Nixon & Vanderhye P.C.

(57) **CLAIM**

The ornamental design for a fastening device, without anvil, as shown and described.

(56) **References Cited**

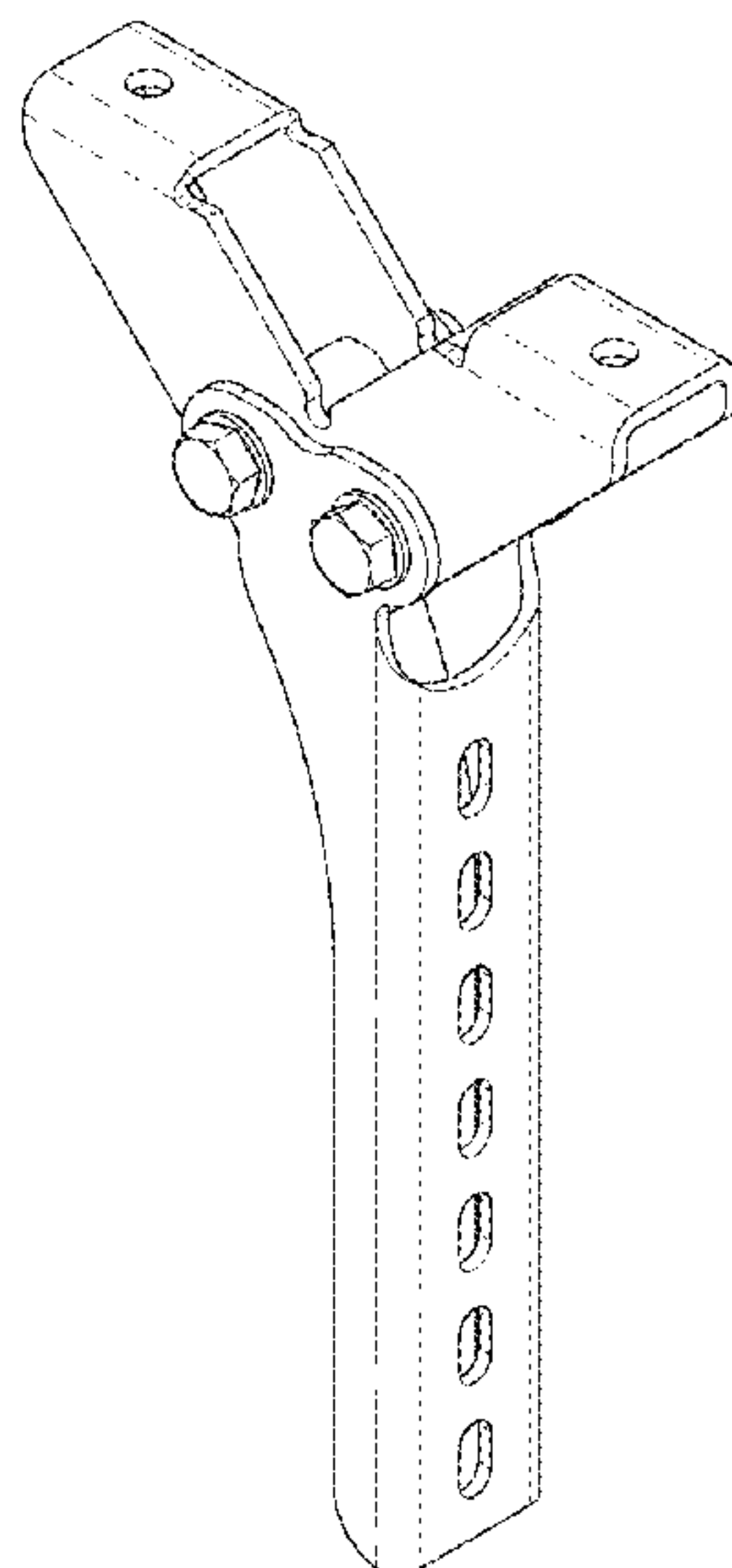
DESCRIPTION

U.S. PATENT DOCUMENTS

D273,375 S * 4/1984 Humlong D12/118
D356,759 S * 3/1995 Pawsat D12/118
D696,929 S * 1/2014 Bacon D8/356
D907,991 S * 1/2021 Axelsson D8/382
D915,867 S * 4/2021 Axelsson D8/349
D924,735 S * 7/2021 Chambers D12/118
D931,717 S * 9/2021 Axelsson D8/382
D942,846 S * 2/2022 Axelsson D8/382
2020/0355300 A1 * 11/2020 Djrbashian H05K 3/325
2022/0029402 A1 * 1/2022 Heath H01Q 1/1242

FIG. 1 is an upper perspective view of the new design;
FIG. 2 is a lower perspective view thereof;
FIG. 3 is a side view thereof, the opposite side being a mirror image;
FIG. 4 is a front view thereof;
FIG. 5 is a rear view thereof;
FIG. 6 is a top view thereof; and,
FIG. 7 is bottom view thereof.

1 Claim, 5 Drawing Sheets



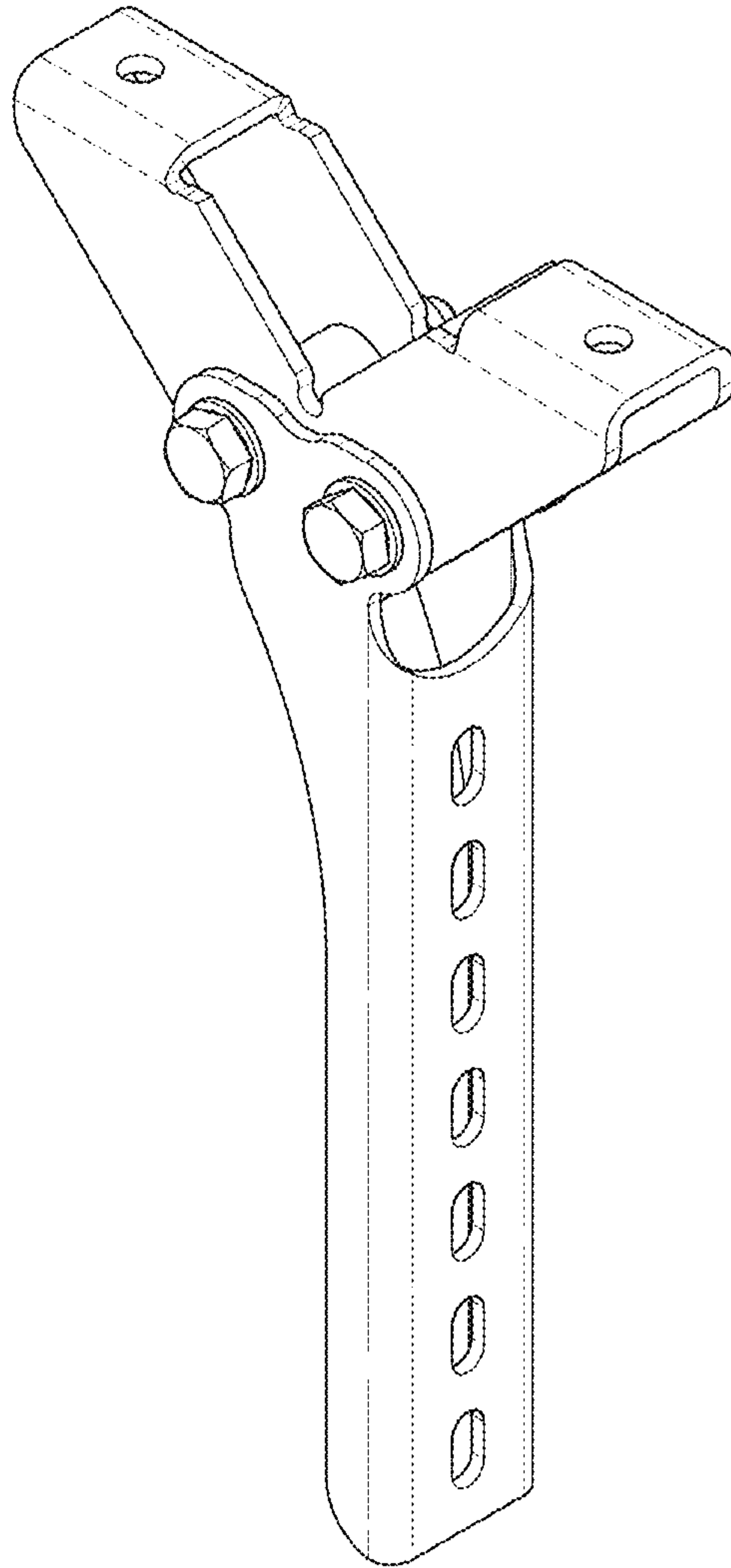


FIG. 1

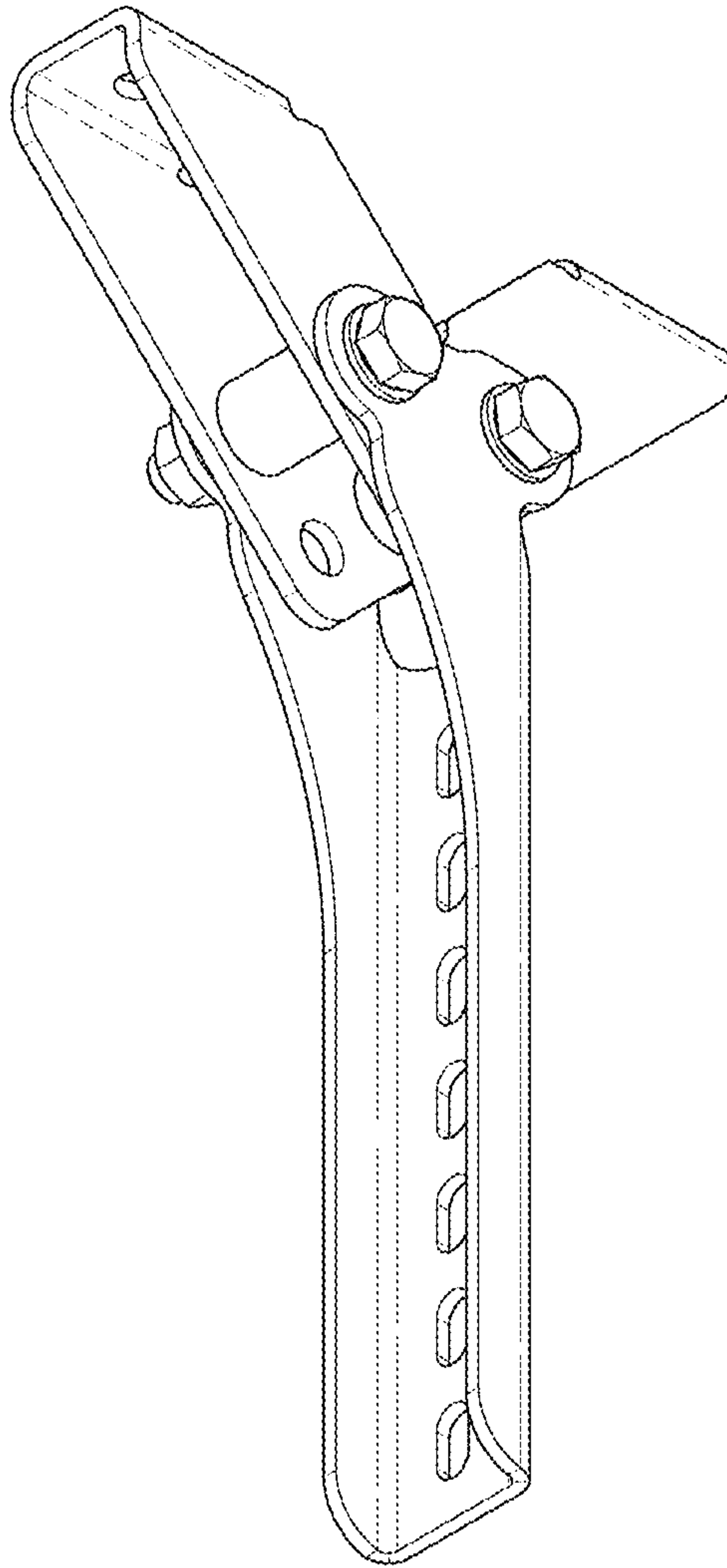


FIG. 2

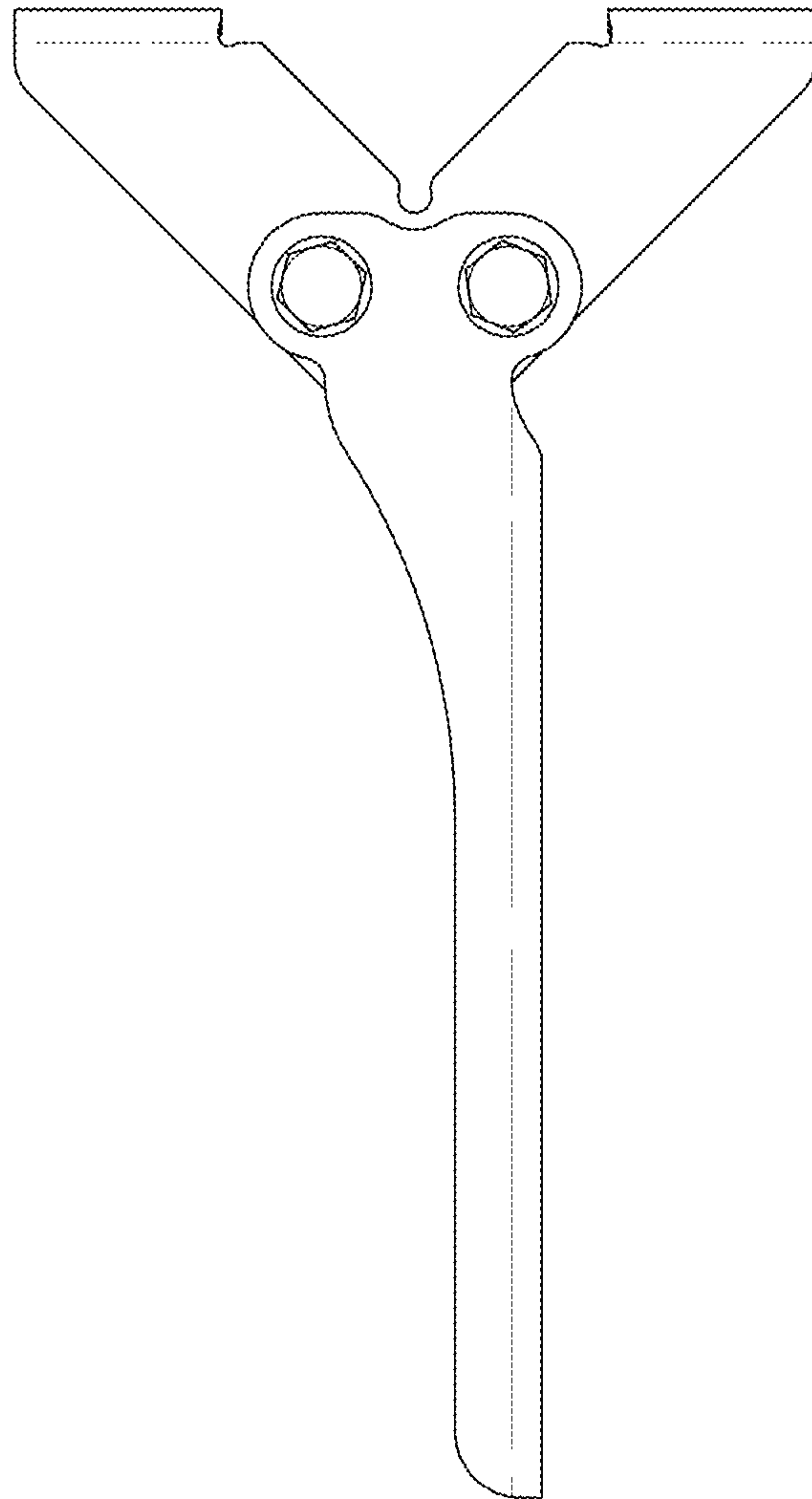


FIG. 3

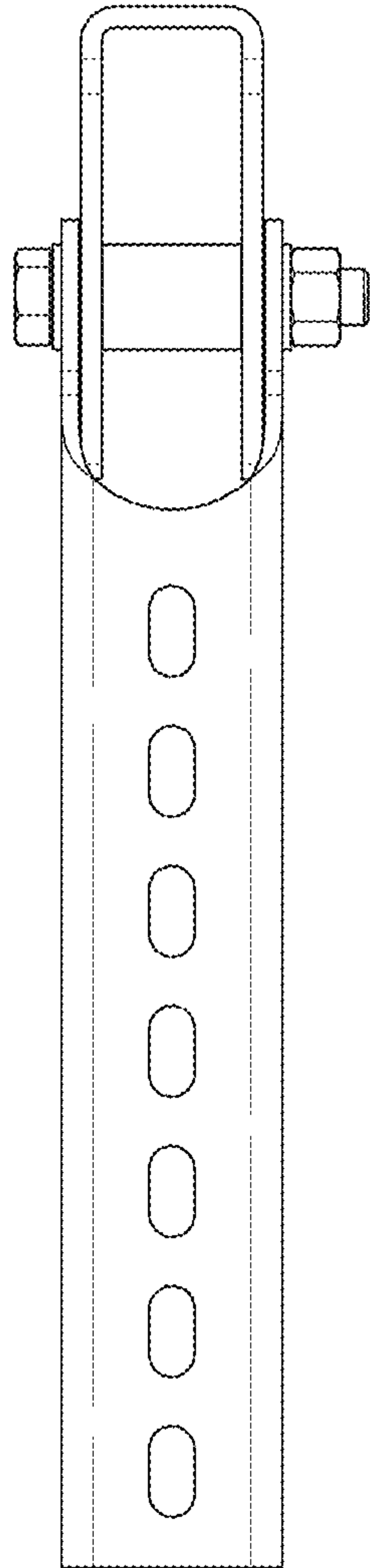


FIG. 4

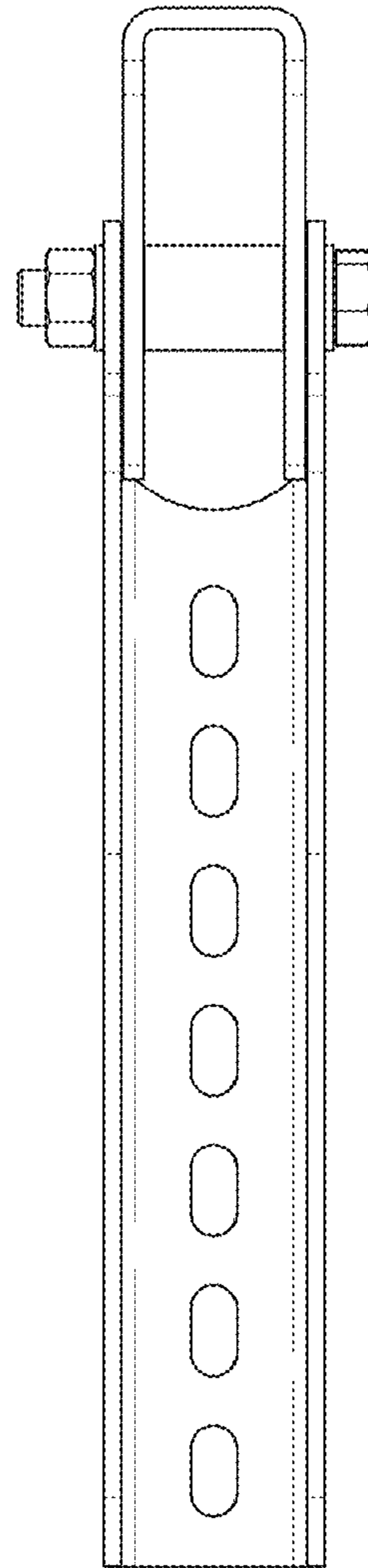


FIG. 5

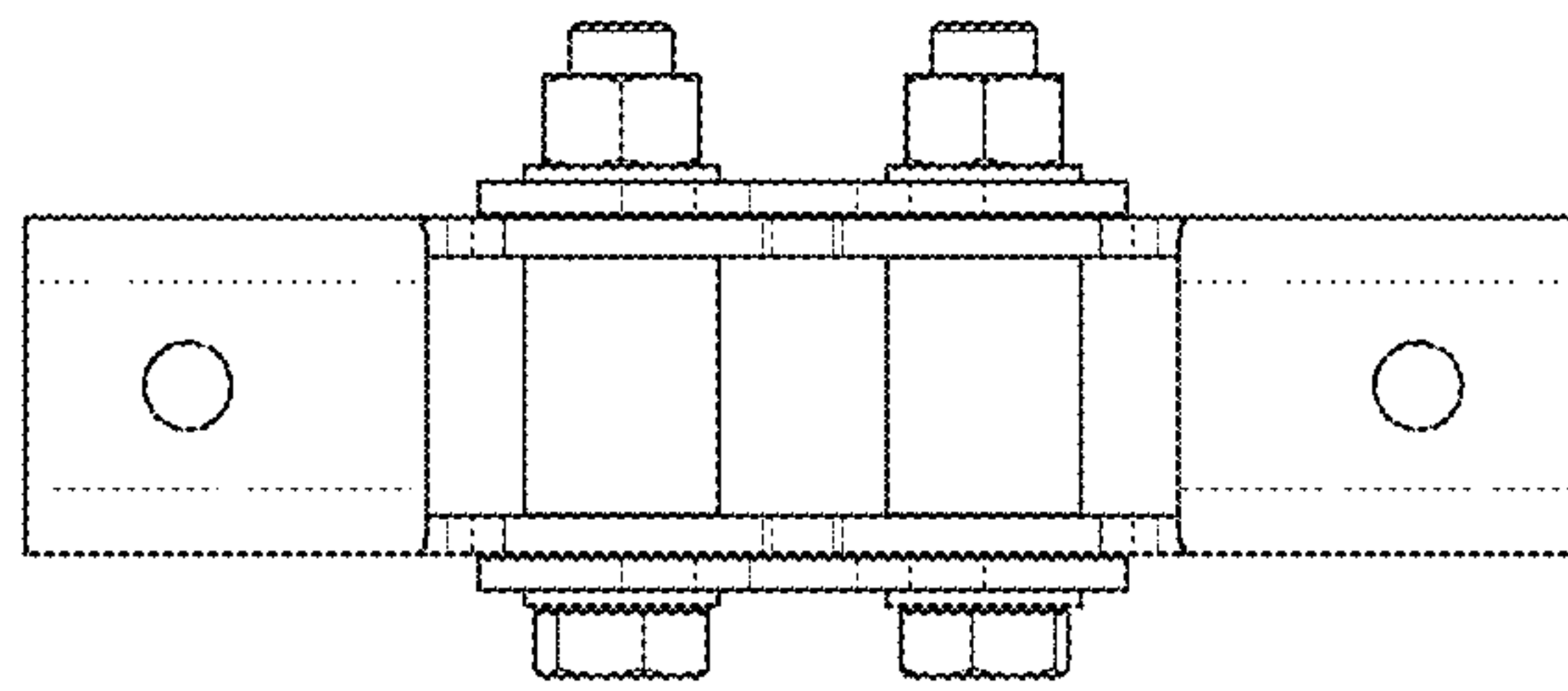


FIG. 6

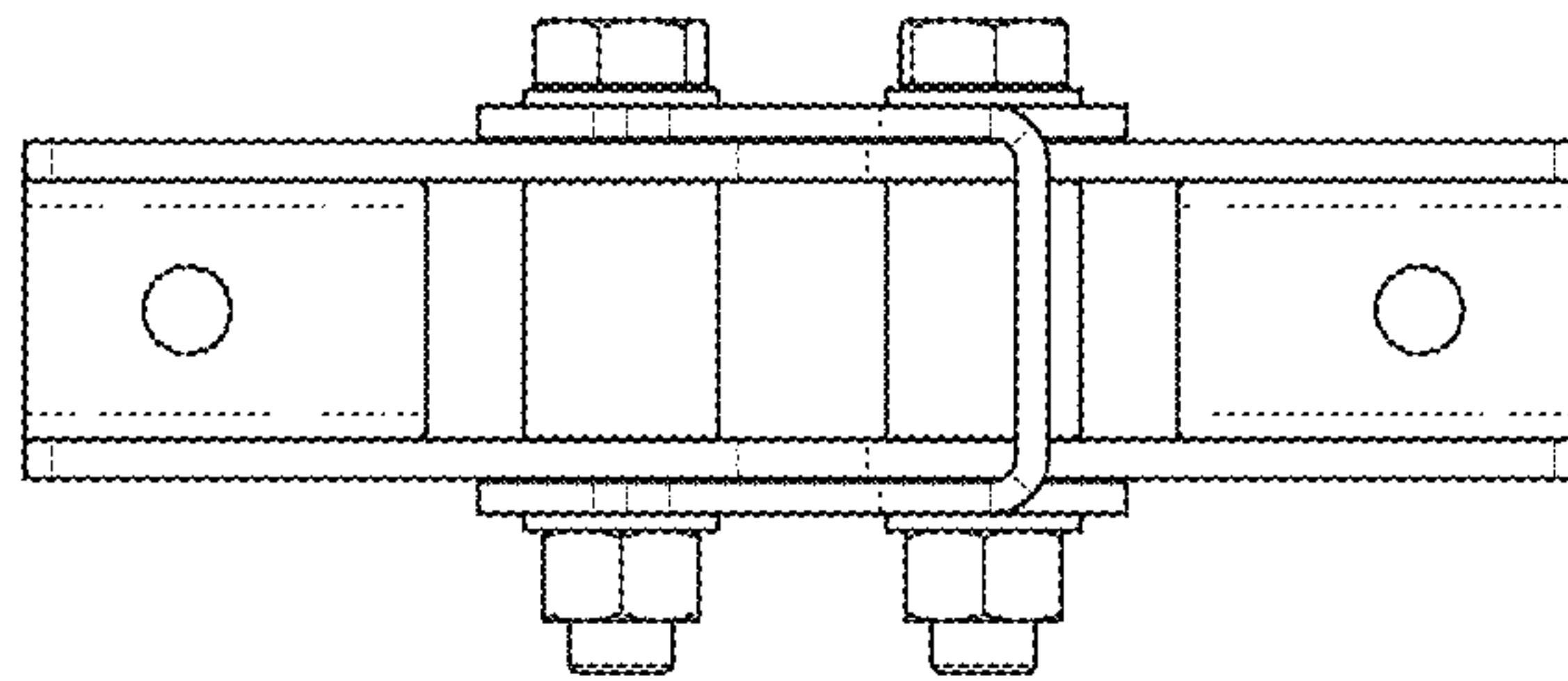


FIG. 7