

US00D969594S

(12) **United States Design Patent** (10) **Patent No.:** **US D969,594 S**
Bromenshenkel et al. (45) **Date of Patent:** **** Nov. 15, 2022**

(54) **VERTICAL SUPPORT STRUCTURE**

FOREIGN PATENT DOCUMENTS

(71) Applicant: **Caterpillar Inc.**, Peoria, IL (US)

CA 194948 * 2/2022
EP 3495201 A1 6/2019

(72) Inventors: **Timothy J. Bromenshenkel**, Tuscola, IL (US); **Andres Munoz-Najar**, Champaign, IL (US)

OTHER PUBLICATIONS

(73) Assignee: **Caterpillar Inc.**, Peoria, IL (US)

18 in.x24 in. Bolted Formed Steel Mounting Bracket, Date Visited: Mar. 9, 2022, Tractor Supply Co, Date Available: Mar. 9, 2022, <https://www.tractorsupply.com/tsc/product/buyers-products-18-in-x-24-in-bolted-black-formed-steel-mounting-brackets> (Year: 2022).*

(**) Term: **15 Years**

(21) Appl. No.: **29/710,771**

Primary Examiner — Karen S Acker
Assistant Examiner — Elizabeth S Ko

(22) Filed: **Oct. 25, 2019**

(74) *Attorney, Agent, or Firm* — Xsensus LLC

(51) **LOC (13) Cl.** **08-11**

(52) **U.S. Cl.**
USPC **D8/376**

(57) **CLAIM**

(58) **Field of Classification Search**
USPC D8/16–17, 19, 315, 354, 363, 37, 47, 71, D8/89, 373, 390, 391, 404, 376–377, 382; D12/15, 190, 195, 400, 406, 223, 414; D21/678, 379, 701, 808, 803; D25/119, D25/122, 123; D6/512, 524, 528, 534, D6/672
CPC A47H 5/032; A47H 1/02; A47H 1/142; A47H 13/14; A47H 15/02; A47H 15/04; A47H 2001/006; A47H 1/04; A47H 1/122; A47H 1/124; A47H 2001/042
See application file for complete search history.

The ornamental design for a vertical support structure, as shown and described.

DESCRIPTION

(56) **References Cited**

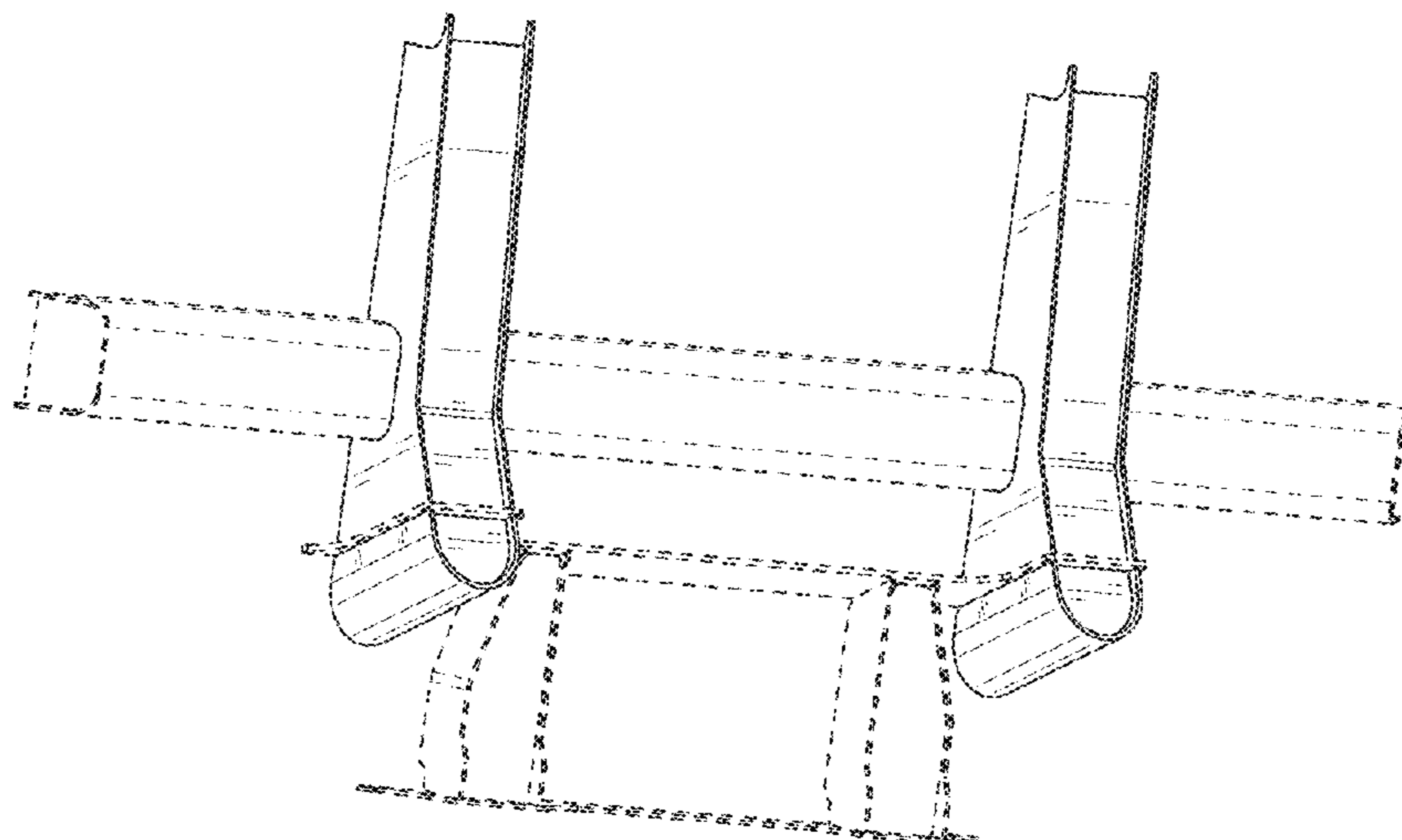
U.S. PATENT DOCUMENTS

D297,411 S * 8/1988 Angel D8/380
6,935,678 B1 8/2005 Laban
7,025,407 B2 4/2006 Medel
8,820,844 B2 9/2014 Moon
8,882,178 B2 11/2014 Kitaguchi
D737,121 S * 8/2015 Long D8/354
9,108,558 B2 8/2015 Hall
D737,663 S * 9/2015 Kandakur D15/5
D737,664 S * 9/2015 Kobayashi D8/354
9,649,966 B2 5/2017 Wang

FIG. 1 is a front perspective view of a vertical support structure according to our design;
FIG. 2 is another front perspective view thereof;
FIG. 3 is a rear perspective view thereof;
FIG. 4 is another rear perspective view thereof;
FIG. 5 is a front elevational view thereof;
FIG. 6 is a rear elevational view thereof;
FIG. 7 is a top plan view thereof;
FIG. 8 is a bottom plan view thereof;
FIG. 9 is a left side elevational view thereof;
FIG. 10 is a right side elevational view thereof; and,
FIG. 11 is a front perspective view thereof in the context of a dump body.
The broken lines depict portions of the vertical support structure that form no part of the claimed design. Additional broken lines in FIG. 11 depict environmental subject matter that forms no part of the claimed design.

(Continued)

1 Claim, 10 Drawing Sheets



(56)

References Cited

U.S. PATENT DOCUMENTS

D790,324	S *	6/2017	Ajello	D8/354
9,751,445	B1	9/2017	Arul	
D808,576	S *	1/2018	Clarke	D8/354
D811,853	S *	3/2018	Foley	D8/354
10,000,144	B2	6/2018	Zamorano	
D839,080	S *	1/2019	Iellimo	D8/354
D839,081	S *	1/2019	Iellimo	D8/354
D839,083	S *	1/2019	Silva	D8/354
D844,415	S *	4/2019	Kneib	D8/354
D880,277	S *	4/2020	Perry	D8/354
D887,251	S *	6/2020	Fox	D8/354
D891,232	S *	7/2020	Zhang	D8/354
D895,403	S *	9/2020	Fox	D8/354
D898,554	S *	10/2020	Evans	D8/354
D899,225	S *	10/2020	Zhang	D8/354
D904,170	S *	12/2020	Francis	D8/354
D908,471	S *	1/2021	Cronkhite	D8/354
D910,423	S *	2/2021	Pigg	D8/349
D913,525	S *	3/2021	Xuwei	D25/38.1
D921,640	S *	6/2021	Cheng	D8/381
D922,856	S *	6/2021	Stearns	D8/354
2014/0015279	A1	1/2014	De Paula E Silva	
2015/0165957	A1	6/2015	Sarangapani	

* cited by examiner

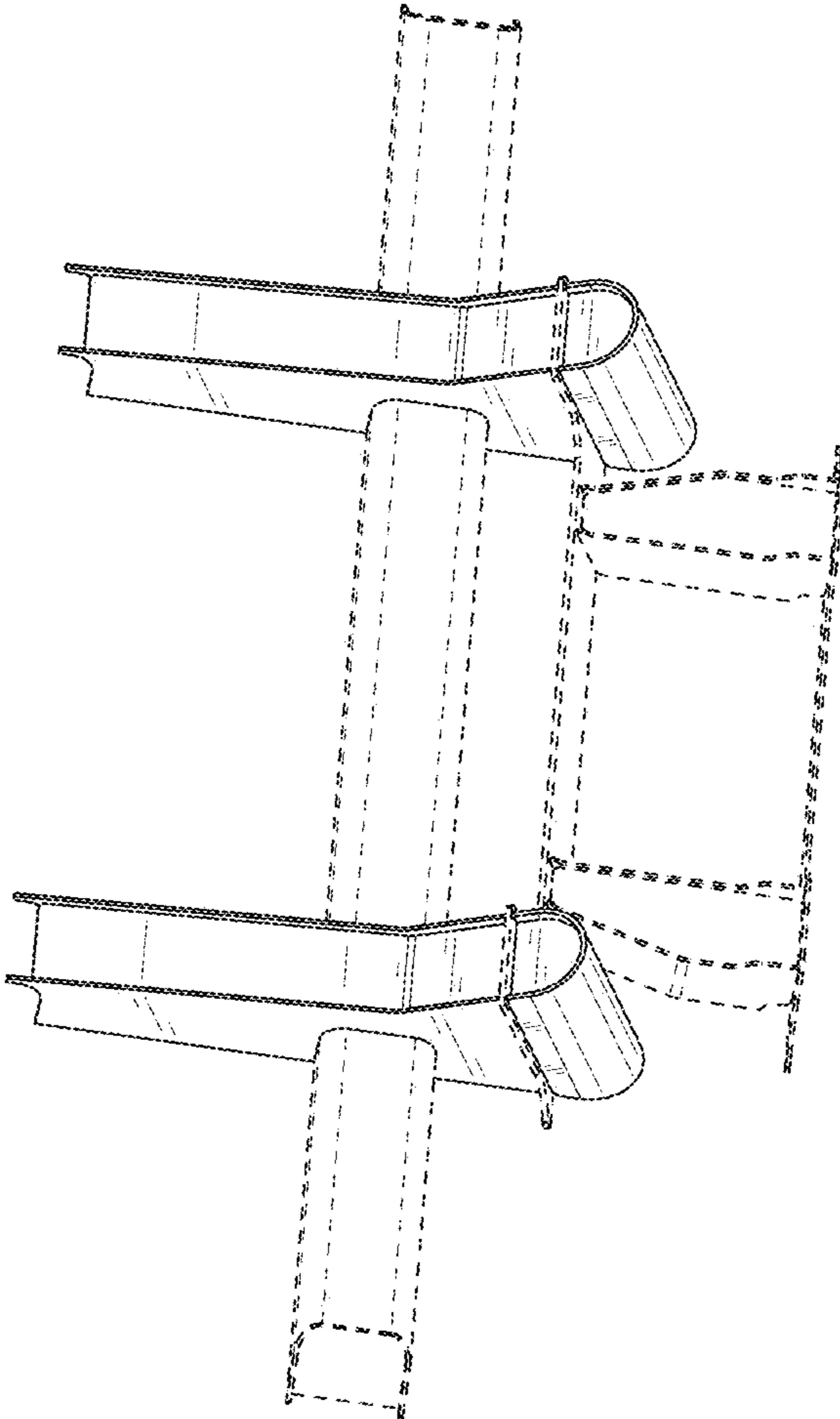


FIG. 1

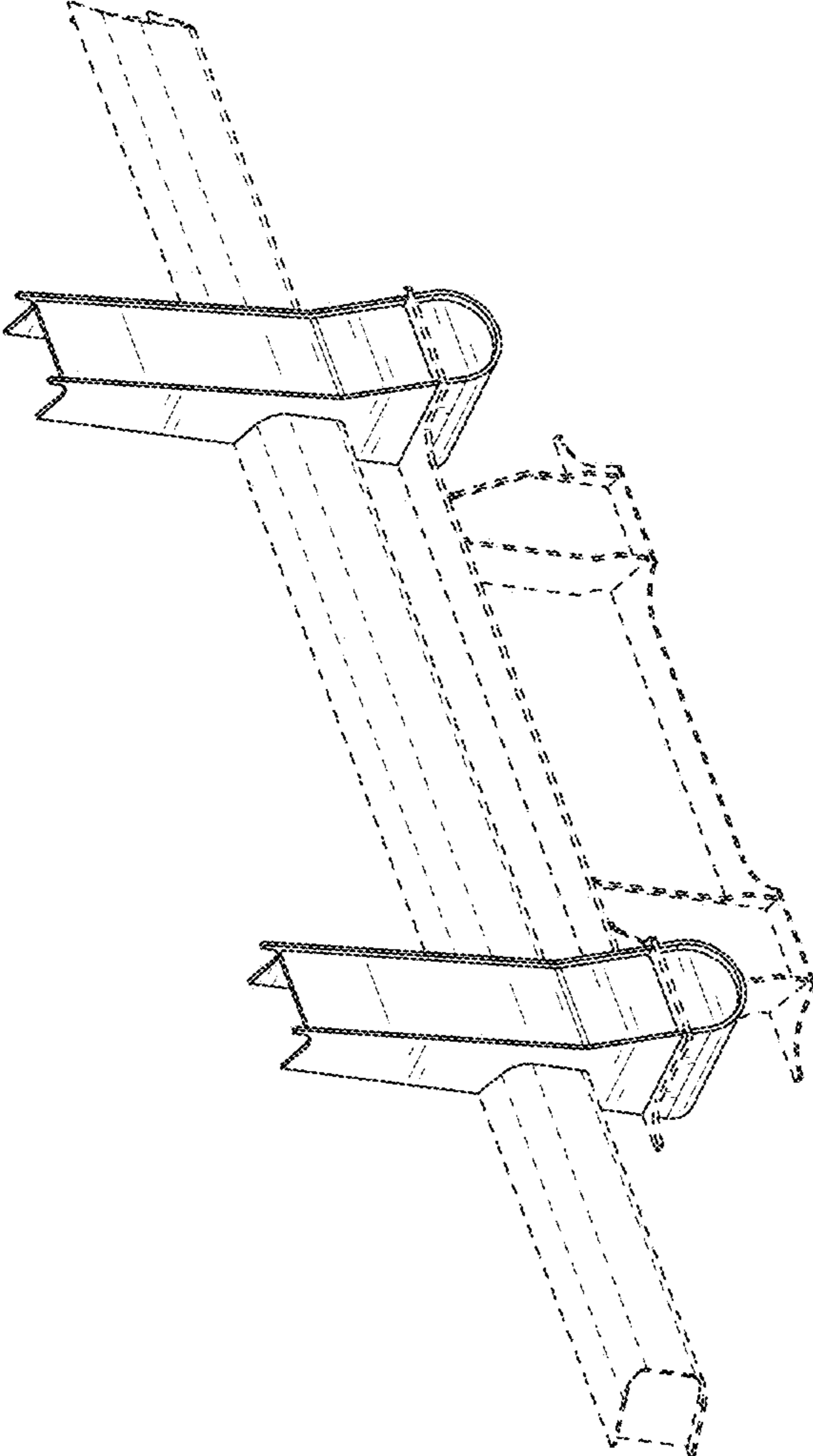


FIG. 2

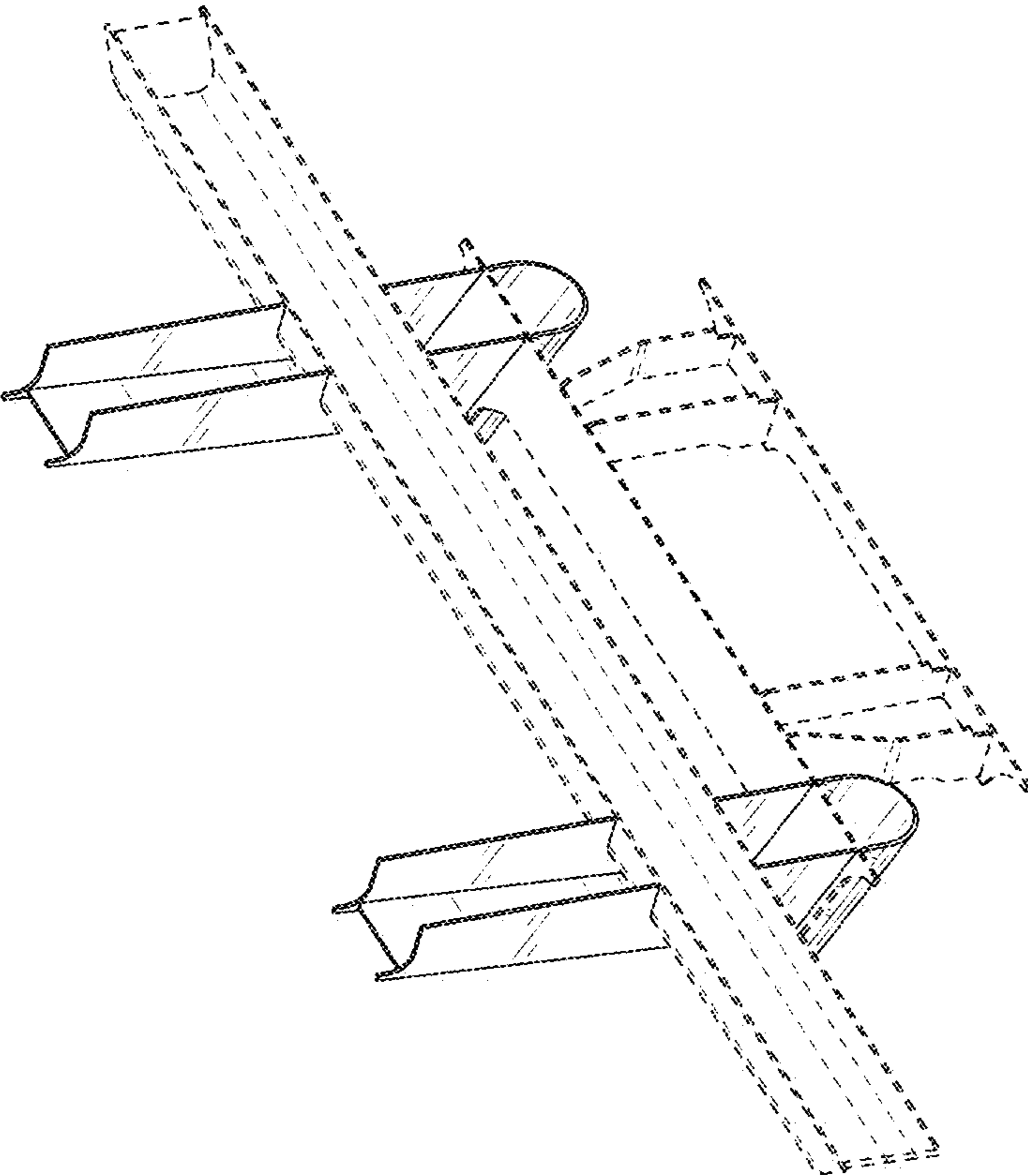


FIG. 3

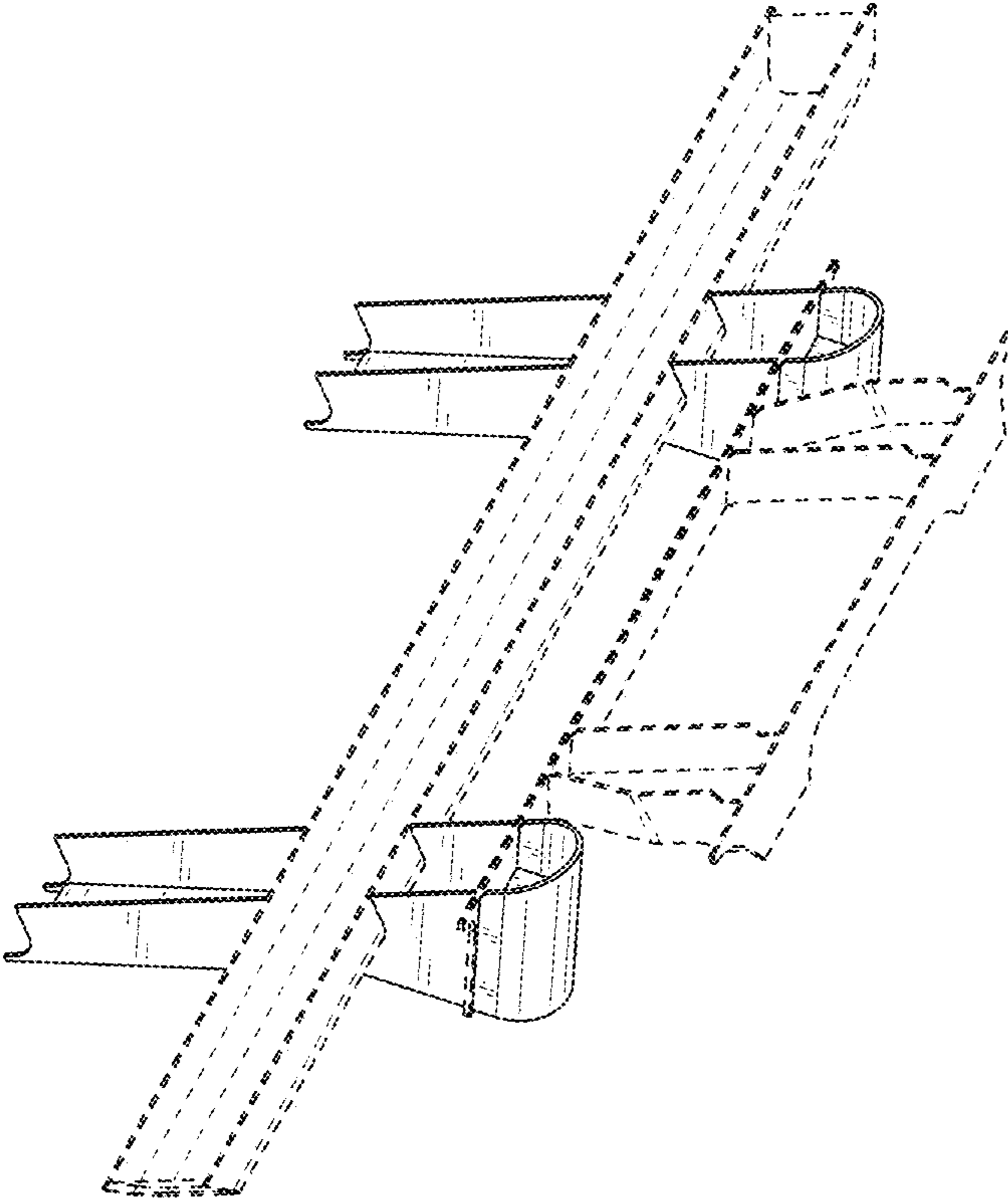


FIG. 4

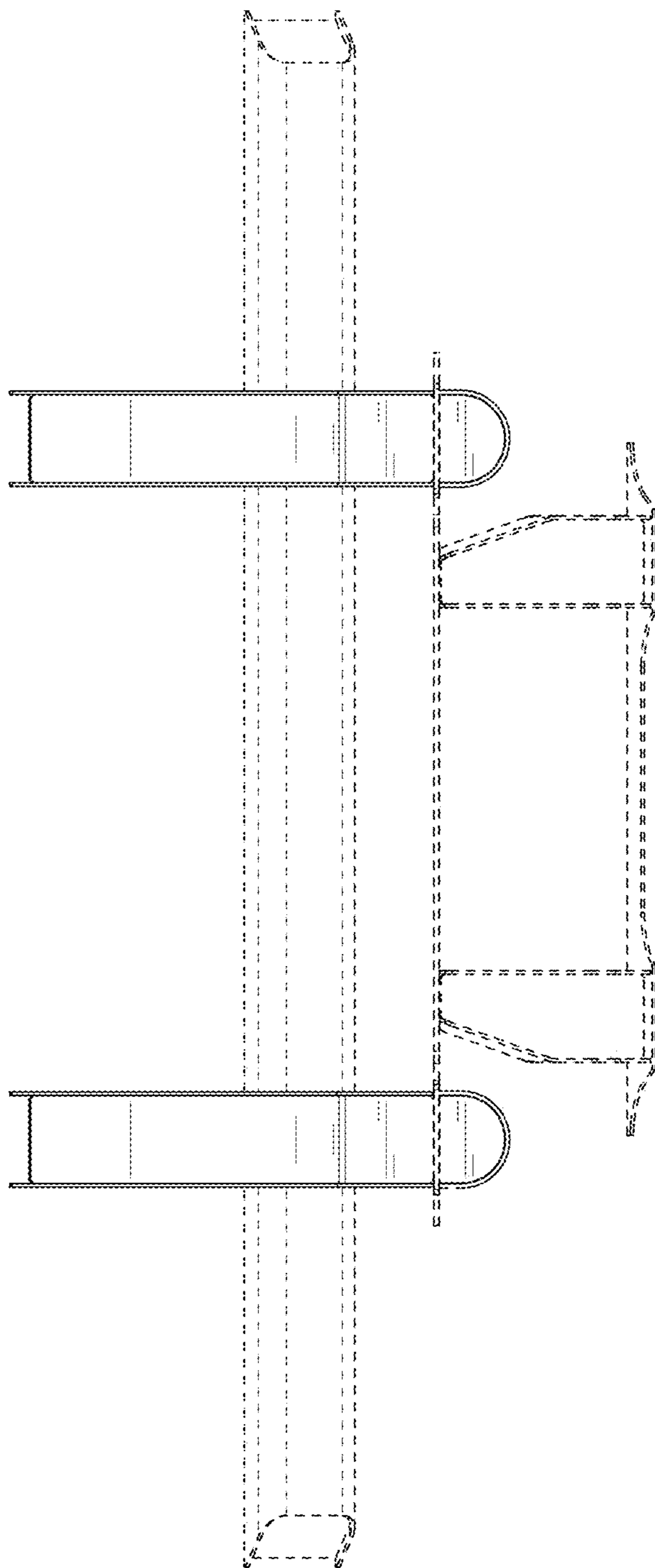


FIG. 5

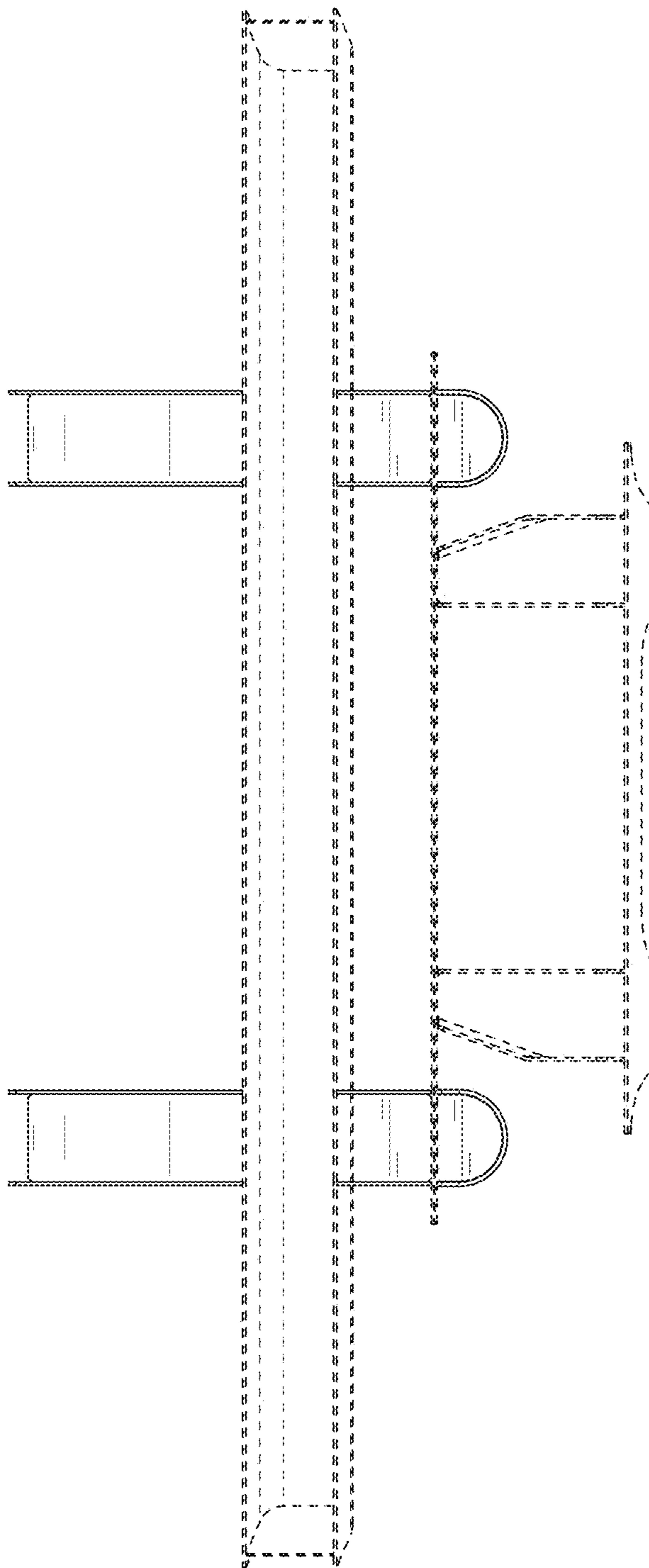


FIG. 6

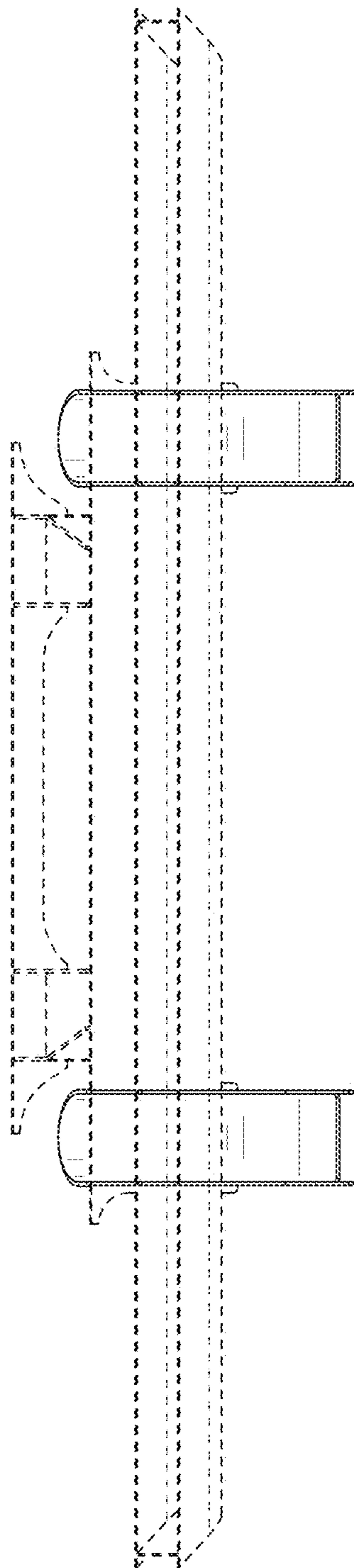


FIG. 7

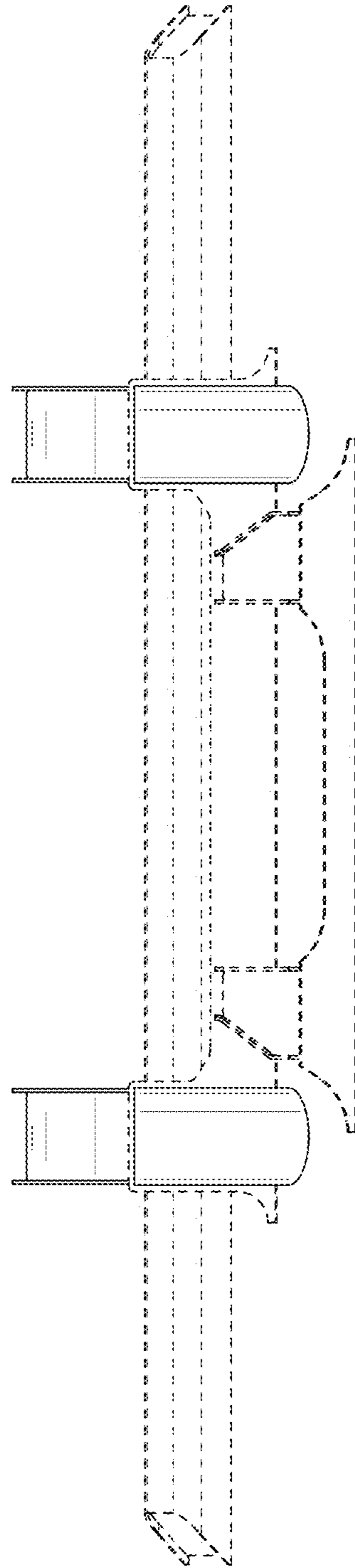


FIG. 8

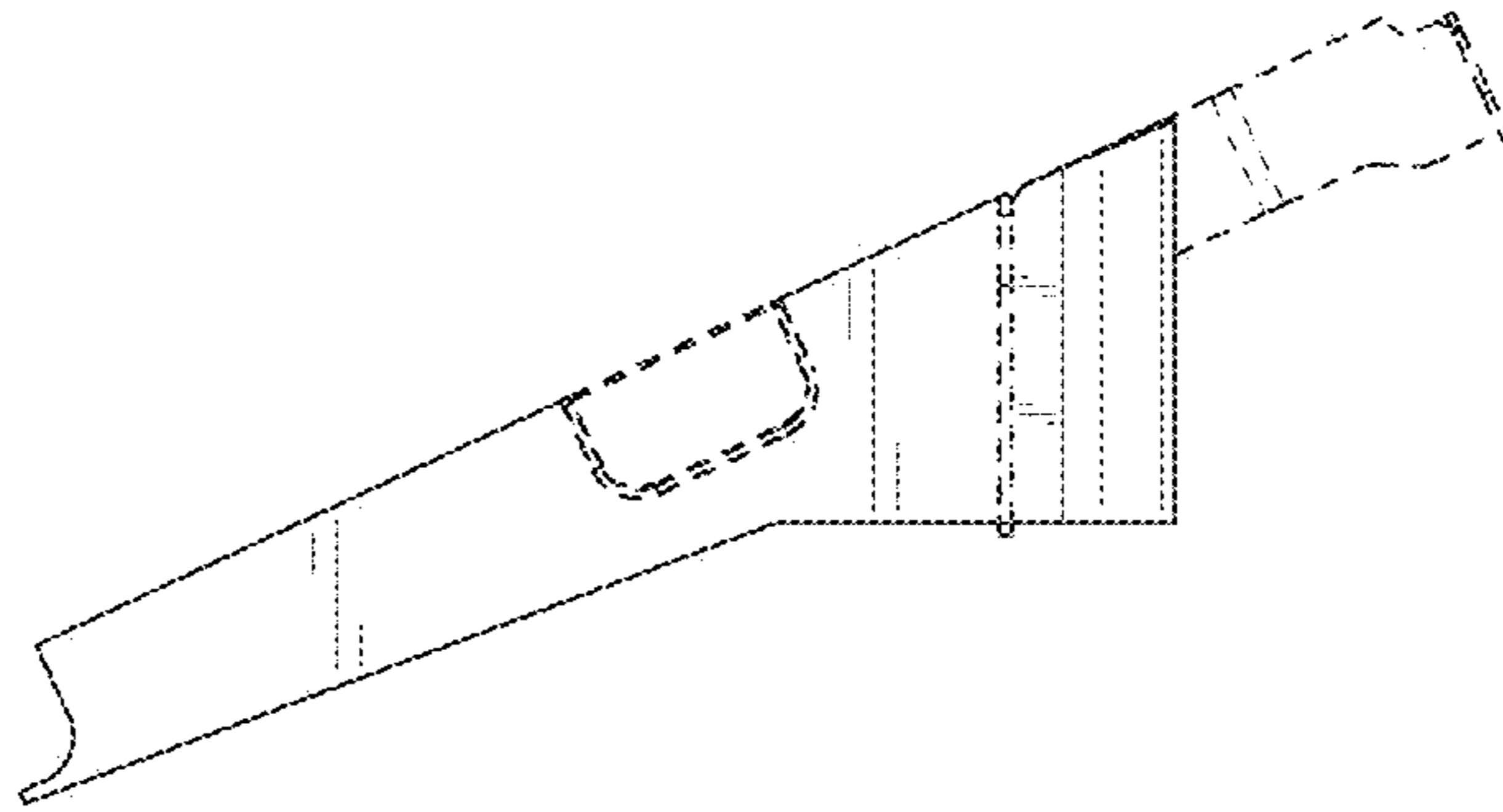


FIG. 10

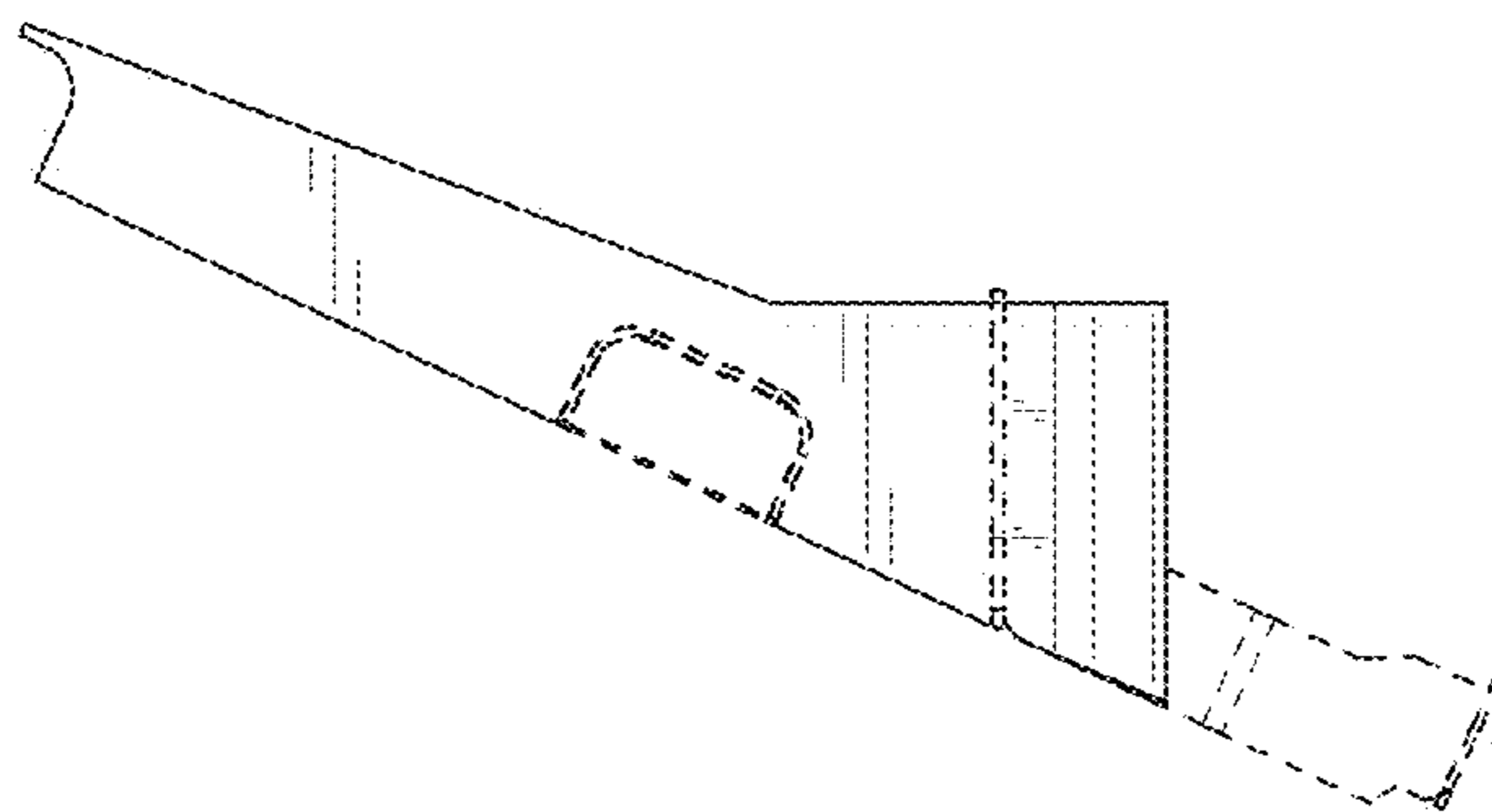


FIG. 9

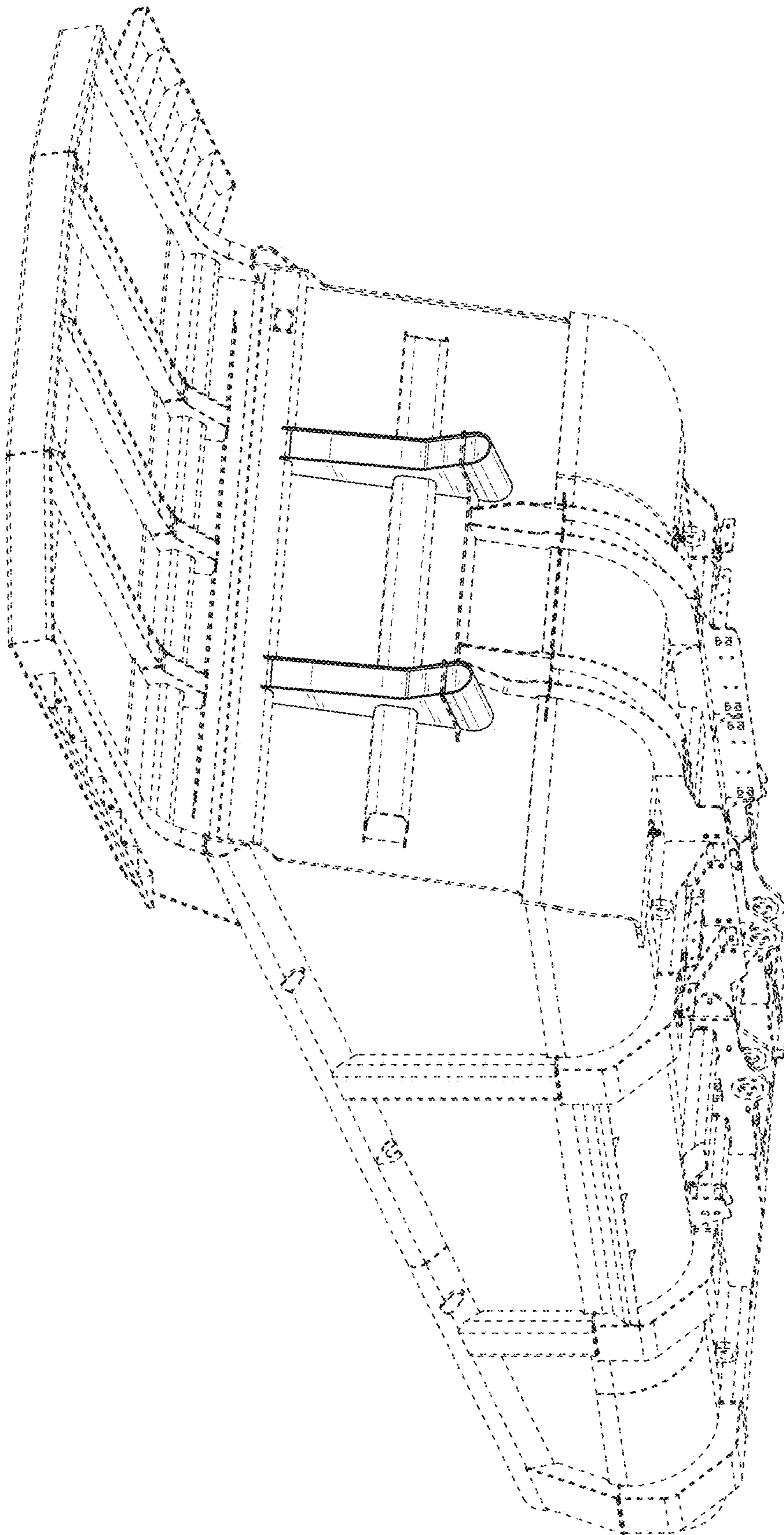


FIG. 11