

US00D969591S

(12) **United States Design Patent**  
**Oliveros**

(10) **Patent No.:** **US D969,591 S**

(45) **Date of Patent:** **\*\* Nov. 15, 2022**

- (54) **EXTENSION CORD PLUG RETENTION STRAP ASSEMBLY**
- (71) Applicant: **Eduardo Tamayo Oliveros**, High Point, NC (US)
- (72) Inventor: **Eduardo Tamayo Oliveros**, High Point, NC (US)
- (\*\*) Term: **15 Years**
- (21) Appl. No.: **29/770,692**
- (22) Filed: **Feb. 16, 2021**
- (51) **LOC (13) Cl.** ..... **09-06**
- (52) **U.S. Cl.**  
USPC ..... **D8/356; D8/367; D8/354**
- (58) **Field of Classification Search**  
USPC ..... D6/678, 354, 349, 358, 373, 215;  
D8/367, 358, 382, 349, 356, 354;  
D12/420, 223; D2/978; D11/212  
CPC ..... A44B 19/00; A44B 13/00; A62C 33/00;  
A45F 5/021; A47C 7/64; B65D 63/10;  
B65D 63/1027; B65D 63/1018; B65G  
7/12; B65H 75/366; B25C 11/00; B60R  
7/10; B60R 2011/0015; B60N 3/101;  
H05K 7/18; H02G 3/30; E04G 3/26;  
E04B 1/41; E05D 5/12; E05D 11/082;  
F16B 2/00  
See application file for complete search history.

- (56) **References Cited**  
U.S. PATENT DOCUMENTS  
341,950 A \* 5/1886 Sharpe et al. .... E04G 3/26  
248/237  
446,110 A \* 2/1891 Tower ..... B65D 63/1018  
24/17 A  
506,038 A \* 10/1893 Free ..... B65D 63/1018  
24/17 A  
3,174,787 A \* 3/1965 Kolman ..... E05C 17/36  
292/288

- 3,861,104 A \* 1/1975 Bower ..... E04B 1/41  
52/289
- 4,097,105 A 6/1978 Zumwalt
- 4,440,465 A 4/1984 Elliott
- 4,466,159 A \* 8/1984 Burrage ..... B65D 77/18  
24/17 AP
- 4,514,026 A 4/1985 Herbert
- 4,957,450 A 9/1990 Pioszak
- D353,990 S 1/1995 Alfreds
- 5,752,848 A 5/1998 Youngmark
- 6,401,305 B1 \* 6/2002 Joseph ..... F16L 3/233  
24/17 AP
- 6,681,451 B1 \* 1/2004 Adams ..... B65D 63/1027  
24/17 AP
- D488,374 S \* 4/2004 Hussaini ..... D8/396
- 7,470,141 B2 12/2008 Yoest
- D729,054 S \* 5/2015 Chen ..... D8/356
- D847,611 S \* 5/2019 Altamura ..... D8/356

(Continued)

*Primary Examiner* — Marissa J Cash  
*Assistant Examiner* — Kayla Marie Bennett

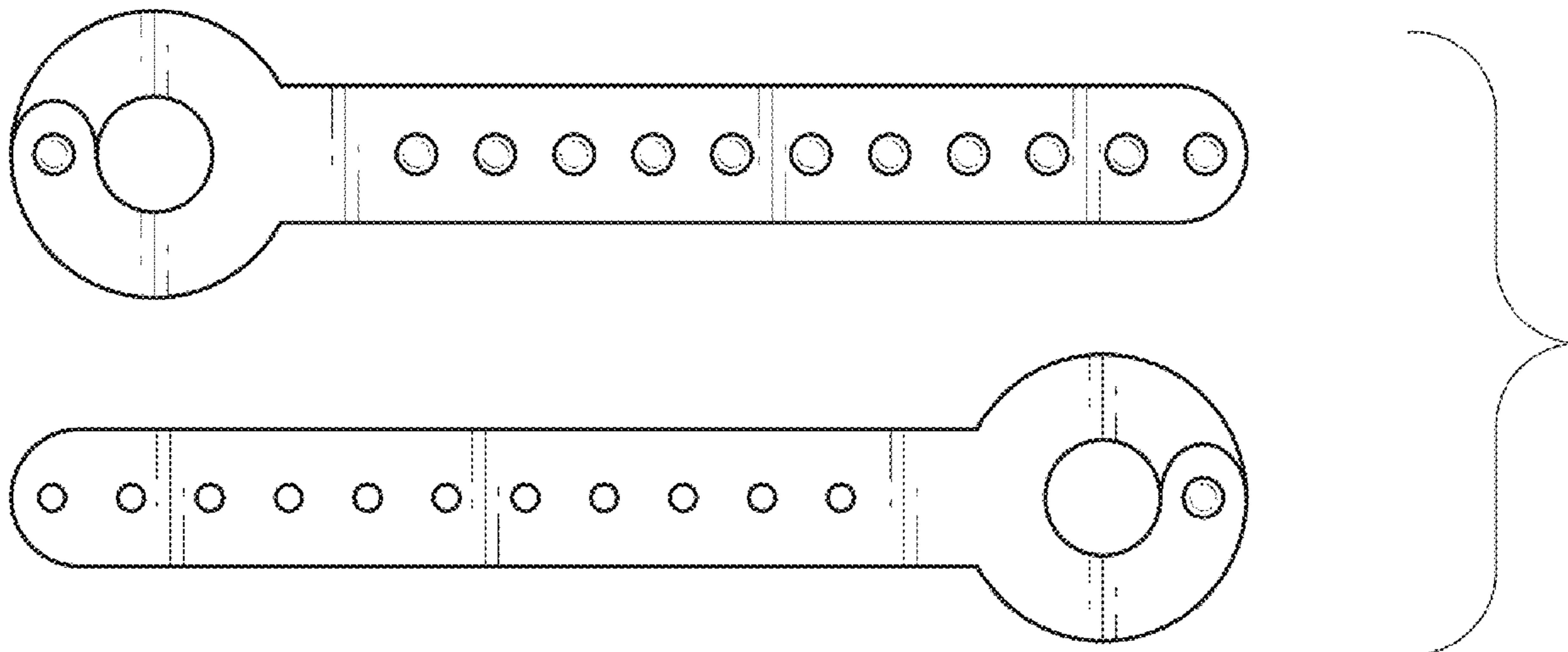
(57) **CLAIM**

I claim the ornamental design for an extension cord plug retention strap assembly, as shown and described.

**DESCRIPTION**

FIG. 1 is an exploded front view of the extension cord plug retention strap assembly.  
 FIG. 2 is a rear view thereof  
 FIG. 3 is a left side view thereof.  
 FIG. 4 is a right side view thereof.  
 FIG. 5 is a top view thereof.  
 FIG. 6 is a bottom view thereof; and,  
 FIG. 7 is a perspective view of the extension cord plug retention strap assembly shown assembled in an environment of use.  
 The broken lines shown in the drawings illustrating a cord plug represents environmental subject matter only that forms no part of the claimed design.

**1 Claim, 4 Drawing Sheets**



(56)

**References Cited**

U.S. PATENT DOCUMENTS

D922,178 S \* 6/2021 Salotto ..... B65D 63/1018  
D8/349  
11,019,883 B2 \* 6/2021 Frydlewski ..... A43C 11/006  
D928,593 S \* 8/2021 Altamura ..... D8/356  
2009/0277938 A1 \* 11/2009 Baron ..... B65D 63/1018  
224/257  
2015/0033509 A1 \* 2/2015 Dietrich ..... B65D 63/10  
24/16 PB

\* cited by examiner

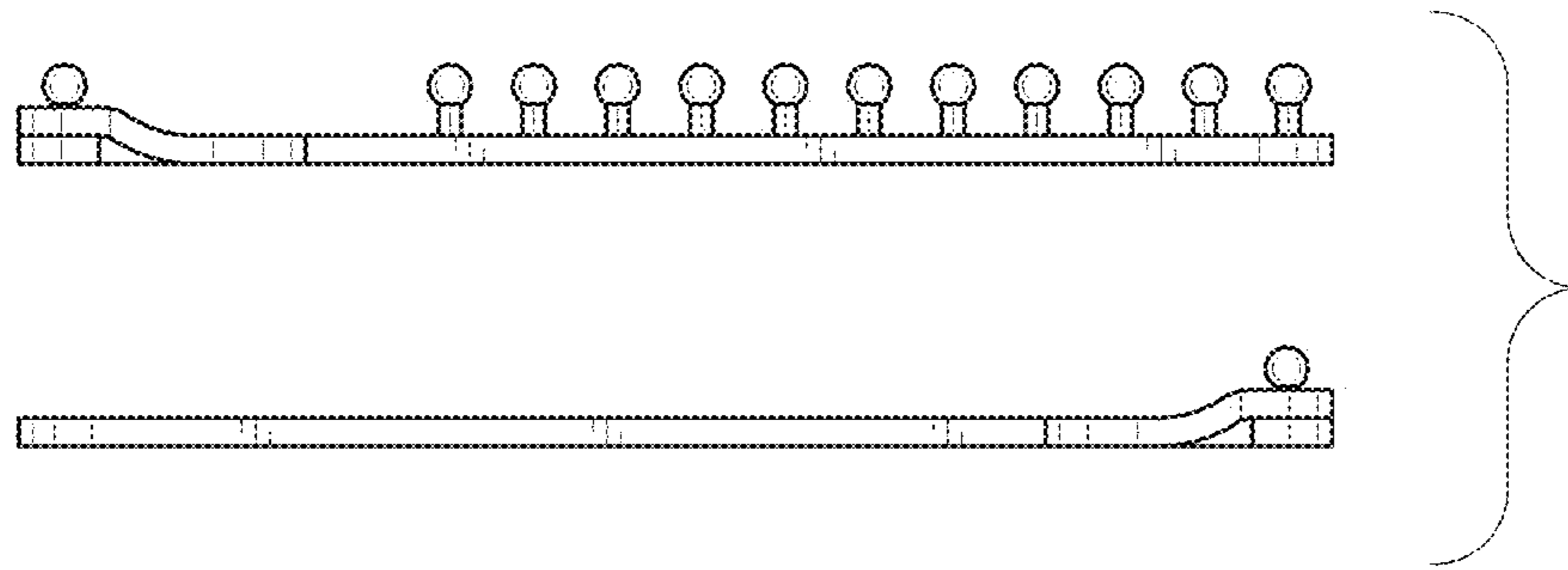


FIG. 1

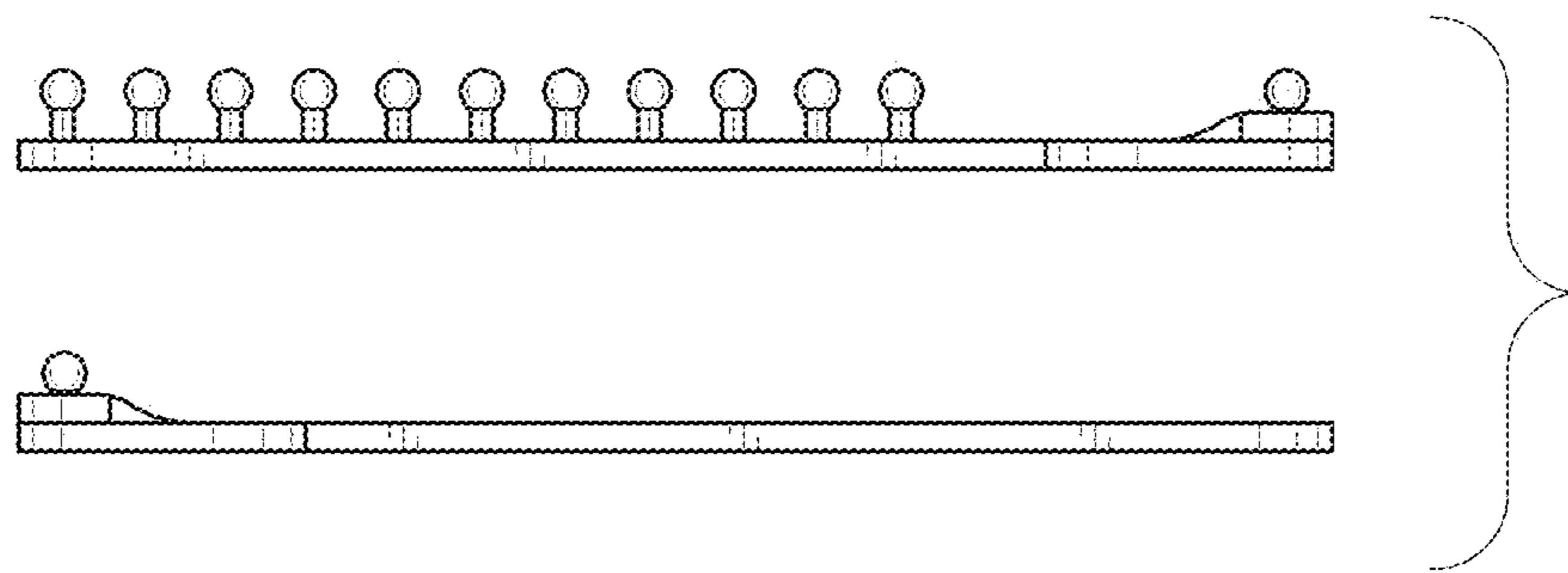


FIG. 2

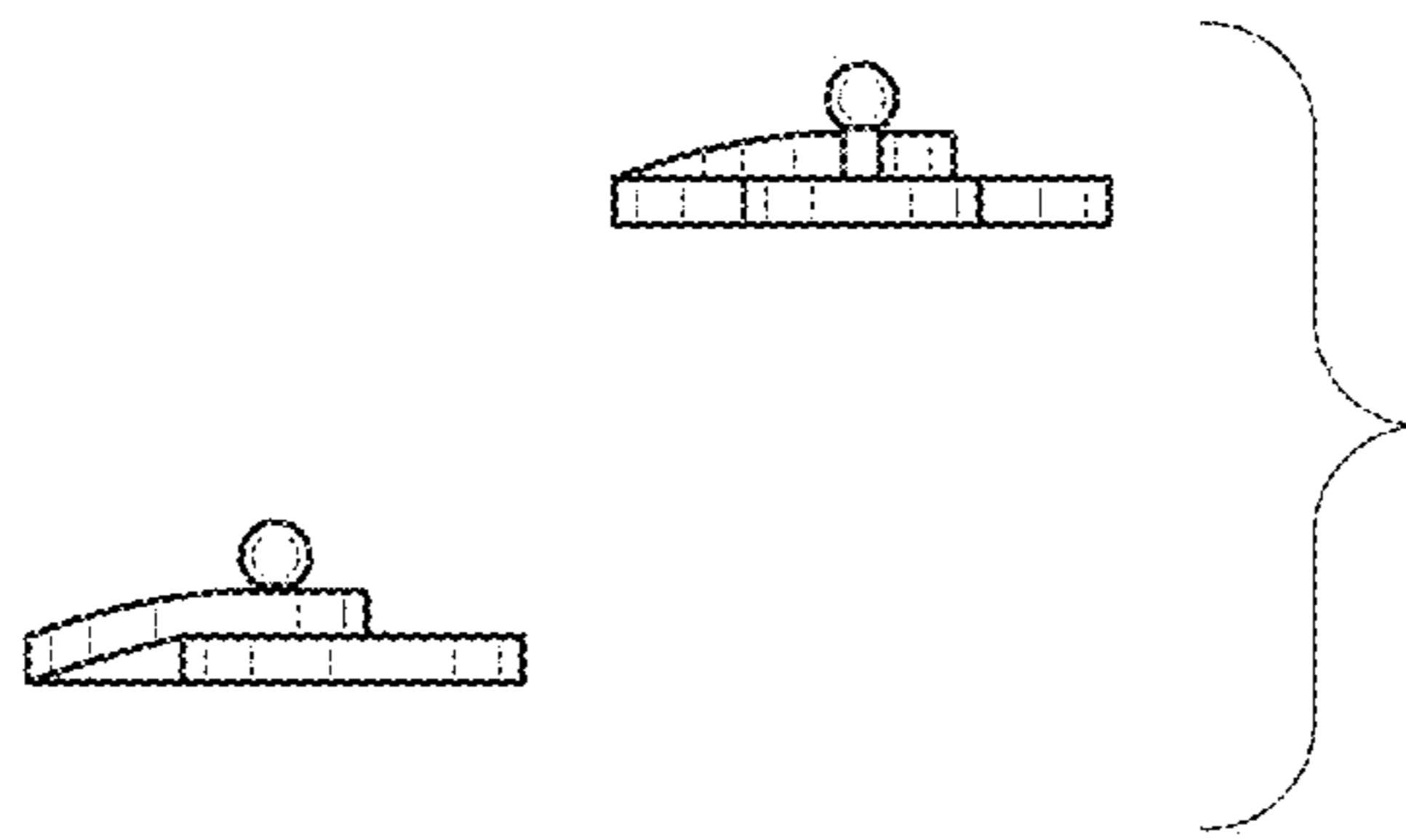


FIG. 3

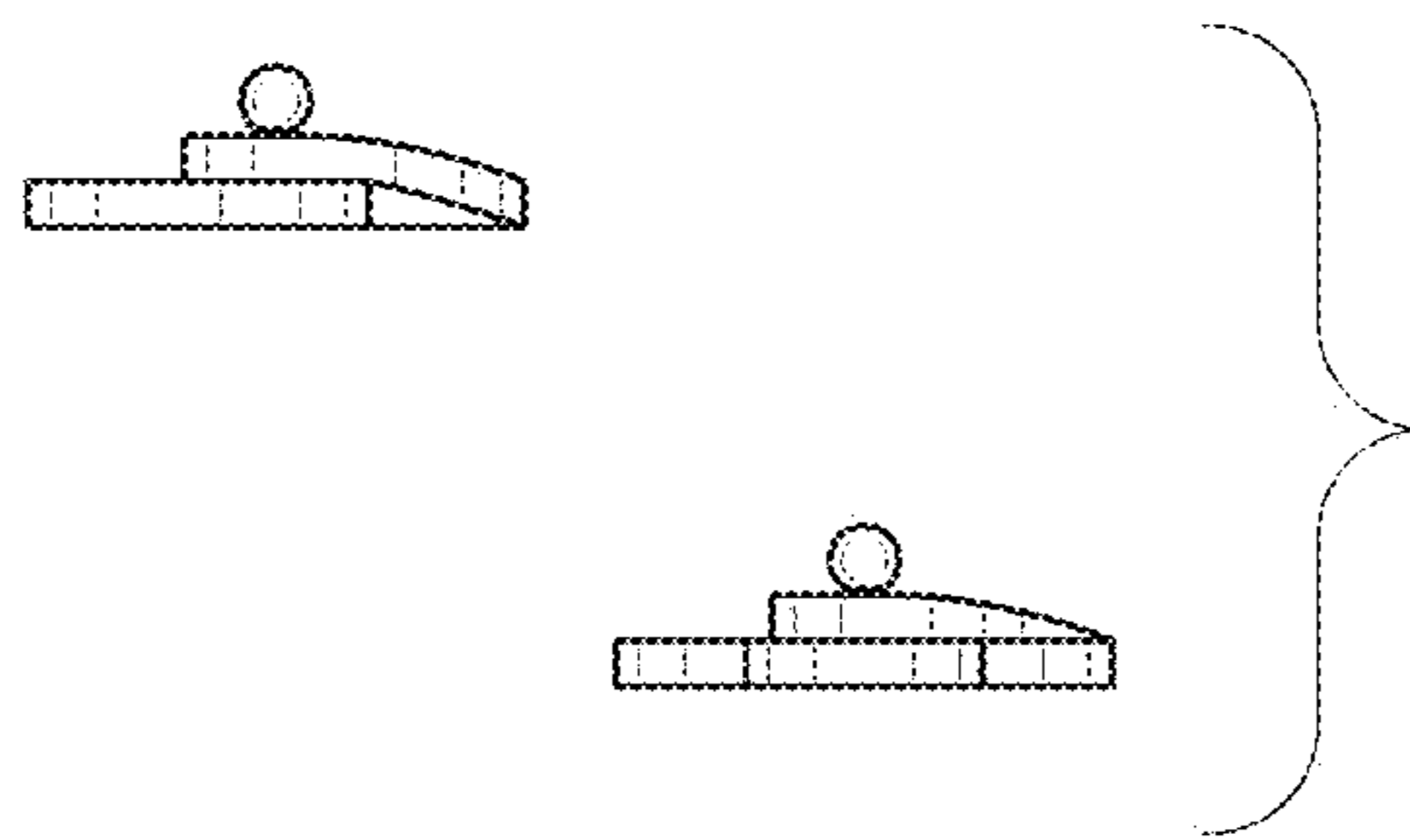


FIG. 4

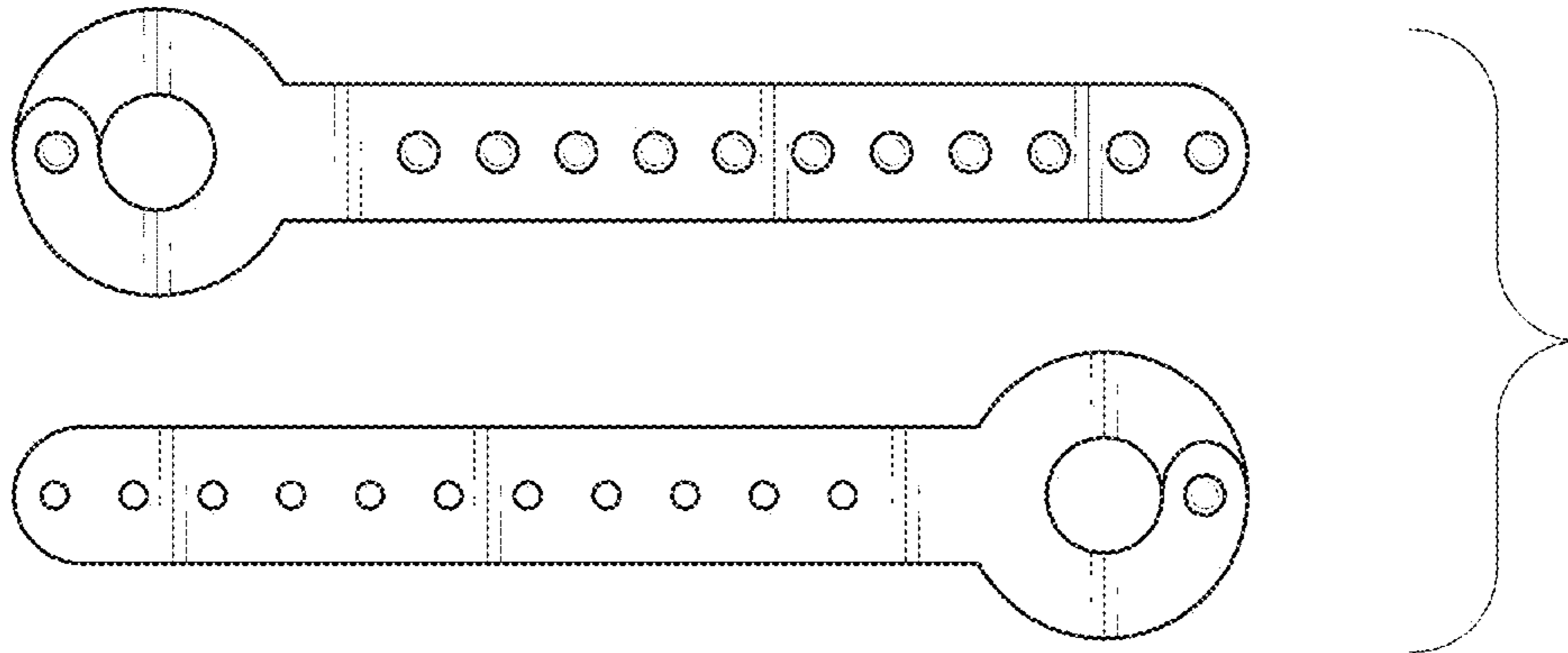


FIG. 5

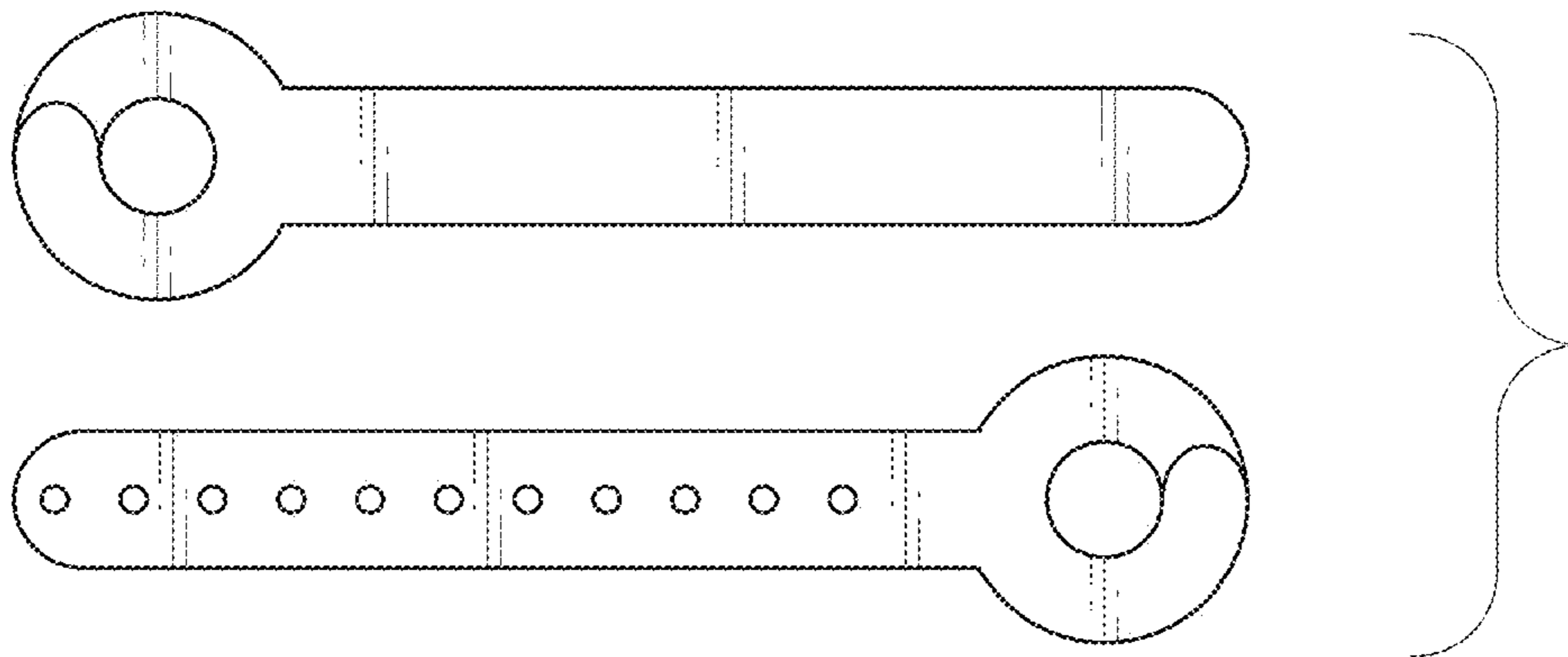


FIG. 6

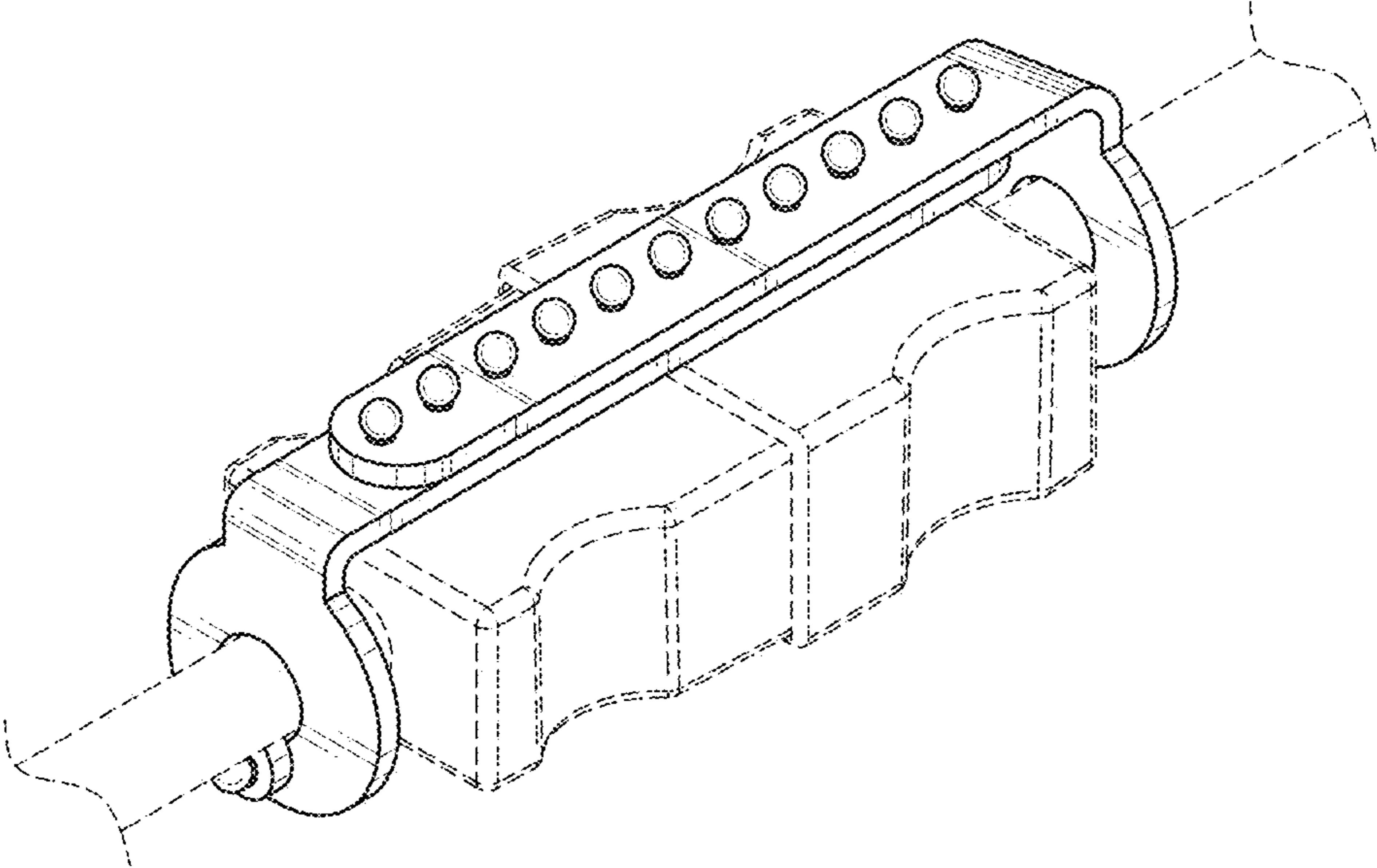


FIG. 7