



US00D969589S

(12) **United States Design Patent**
Buczynski

(10) **Patent No.:** **US D969,589 S**

(45) **Date of Patent:** **** Nov. 15, 2022**

(54) **RETAINER**

(71) Applicant: **Illinois Tool Works Inc.**, Glenview, IL
(US)

(72) Inventor: **Gregory G. Buczynski**, Ferndale, MI
(US)

(73) Assignee: **Illinois Tool Works Inc.**, Glenview, IL
(US)

(**) Term: **15 Years**

(21) Appl. No.: **29/772,687**

(22) Filed: **Mar. 3, 2021**

(51) **LOC (13) Cl.** **08-05**

(52) **U.S. Cl.**
USPC **D8/354; D8/349**

(58) **Field of Classification Search**
USPC D8/354, 356, 349, 382, 383, 398, 390,
D8/395; D25/119, 121, 124, 125, 136,
D25/138

CPC ... F16B 21/075; F16B 5/0664; B60R 13/0206
See application file for complete search history.

(56) **References Cited**

U.S. PATENT DOCUMENTS

4,960,354	A *	10/1990	Moore	F16B 41/002
					403/397
D405,828	S *	2/1999	Richter	D19/86
6,047,675	A *	4/2000	Kunz	F01L 1/46
					123/90.43
6,231,109	B1 *	5/2001	Beaver	F16B 2/185
					296/214
6,854,946	B2 *	2/2005	Bauer	F16B 21/09
					411/523
D510,257	S *	10/2005	Marty	D8/356

D625,580	S *	10/2010	Giordano	D8/349
D759,475	S *	6/2016	Banno	D8/395
D759,476	S *	6/2016	Iwahara	D8/395
D767,372	S *	9/2016	Itou	H02G 3/26
					D8/356
D845,120	S *	4/2019	Kosidlo	D8/395
D876,207	S *	2/2020	Elliott	D8/356
D934,063	S *	10/2021	Buczynski	D8/394
D936,458	S *	11/2021	Wu	D8/349
2003/0200634	A1 *	10/2003	Hansen	F16B 21/075
					24/297
2019/0048911	A1 *	2/2019	Bidlake	F16B 21/086
2021/0276497	A1 *	9/2021	Buczynski	B60R 13/0206

* cited by examiner

Primary Examiner — Keli L Hill

Assistant Examiner — Harold E Blackwell, II

(74) *Attorney, Agent, or Firm* — McAndrews, Held & Malloy, Ltd.

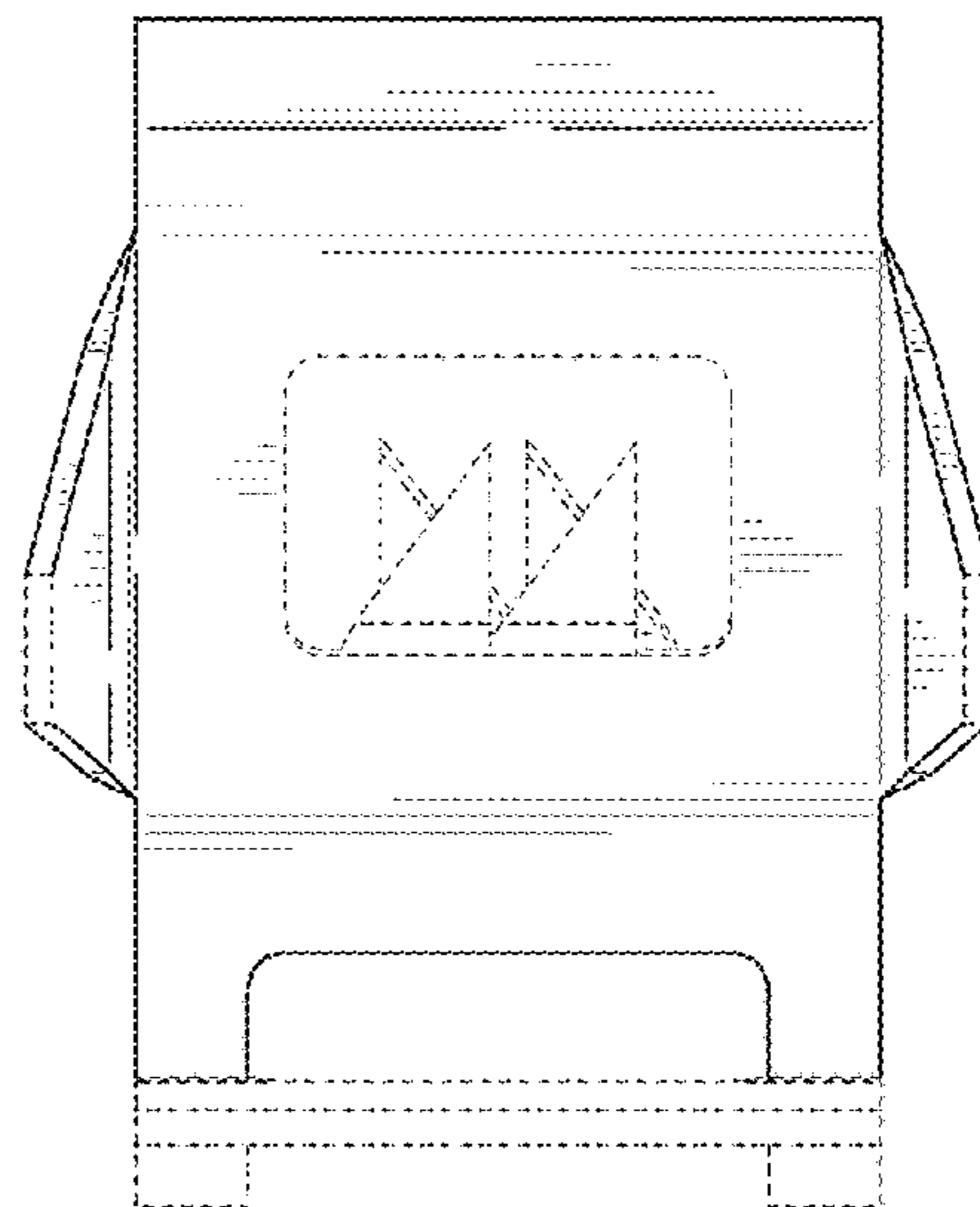
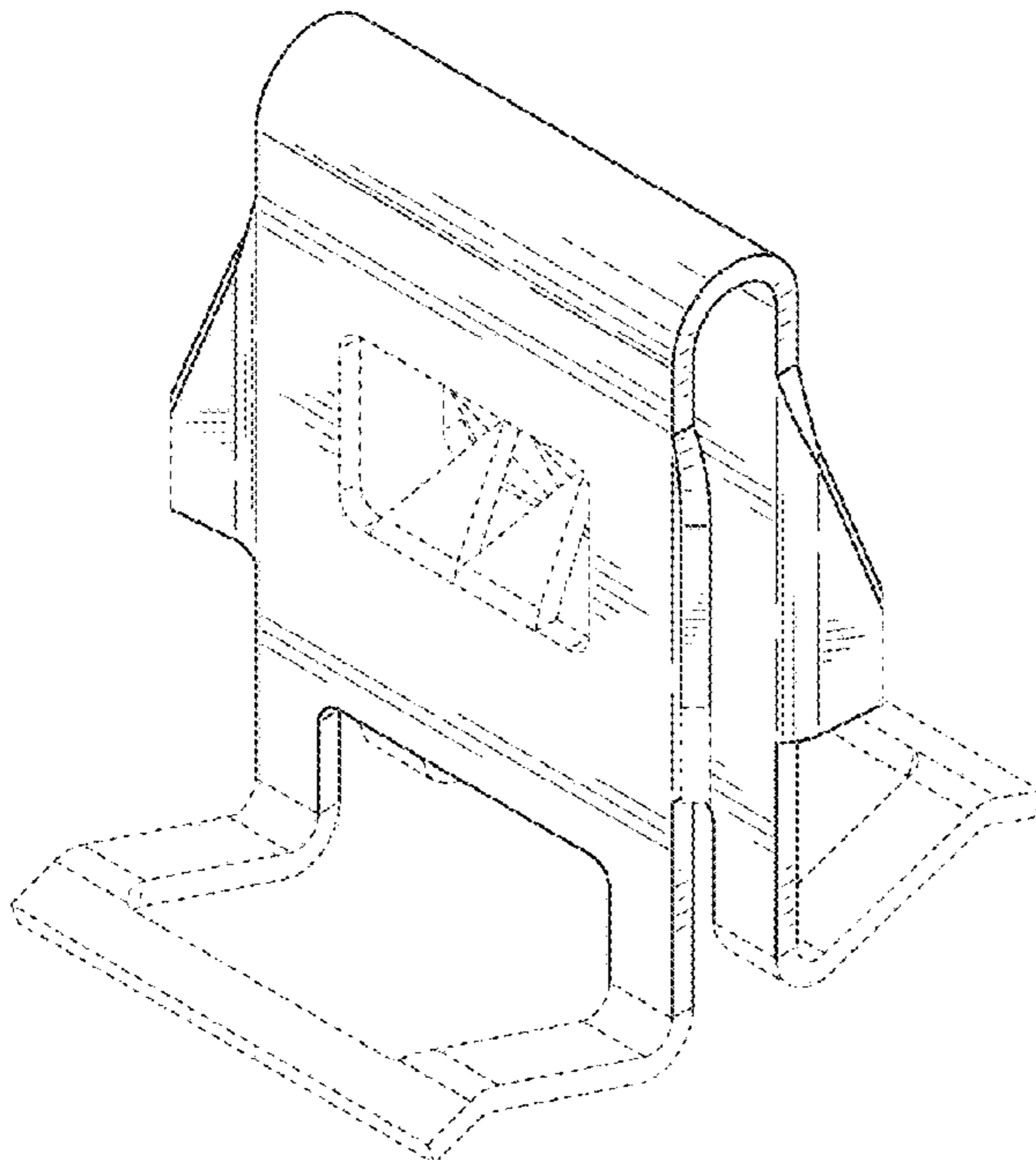
(57) **CLAIM**

The ornamental design for a retainer, as shown and described.

DESCRIPTION

FIG. 1 is a front perspective view of a retainer; FIG. 2 is a right side elevation view thereof; FIG. 3 is a left side elevation view thereof; FIG. 4 is a front elevation view thereof; FIG. 5 is a rear elevation view thereof; FIG. 6 is a bottom plan view thereof; and, FIG. 7 is a top plan view thereof. The broken lines in the drawings illustrate portions of the retainer that form no part of the claimed design.

1 Claim, 4 Drawing Sheets



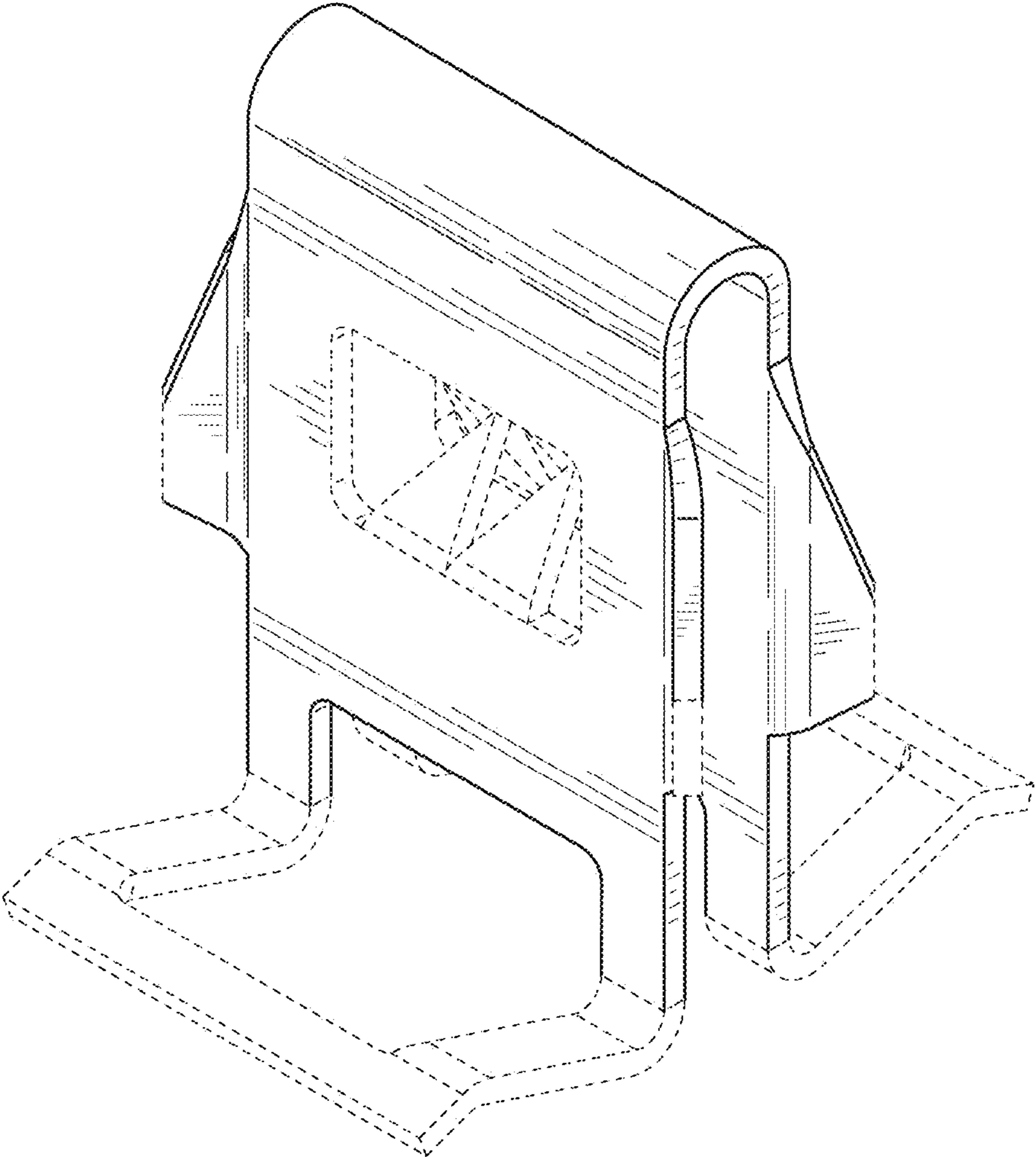


FIG. 1

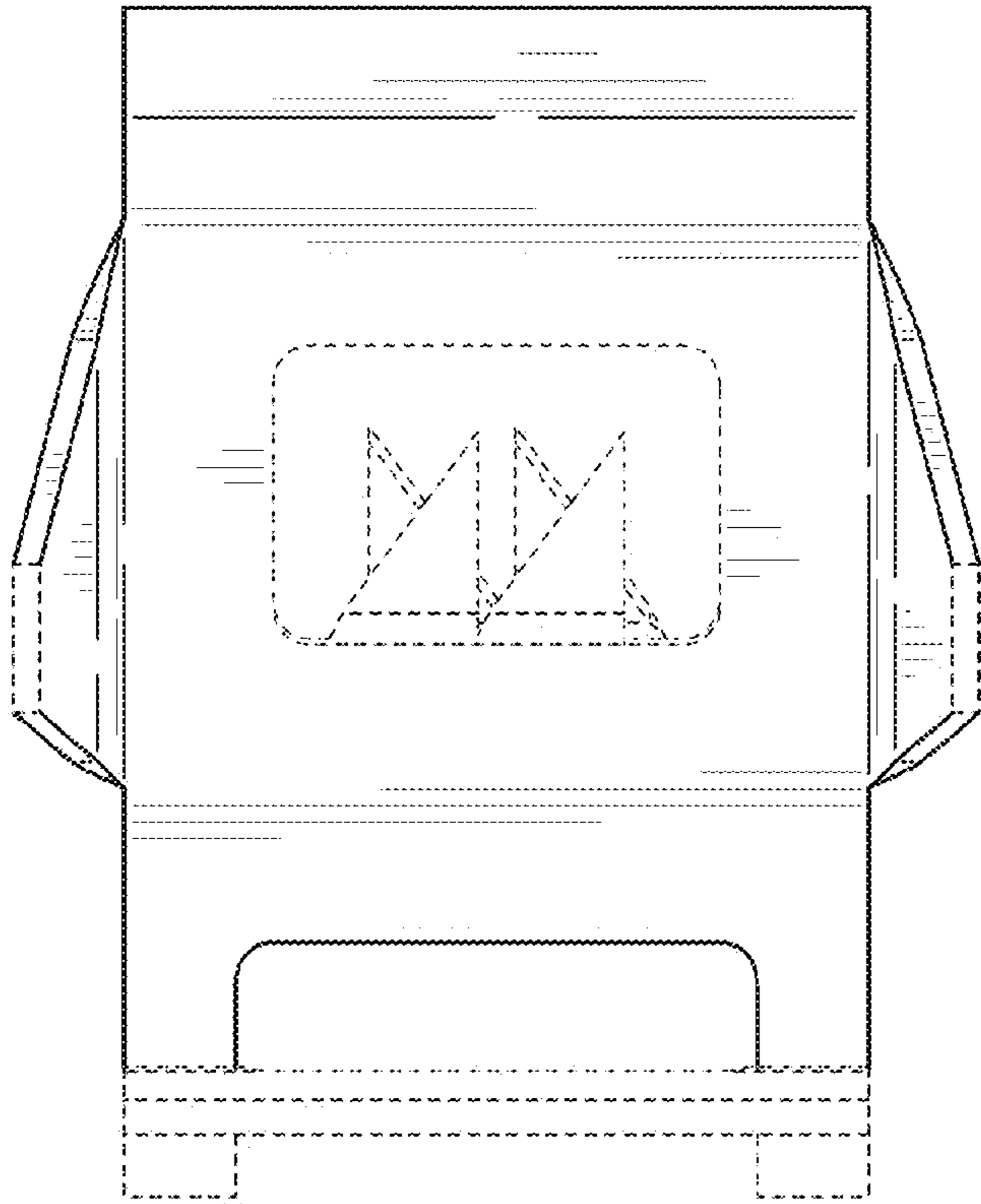


FIG. 2

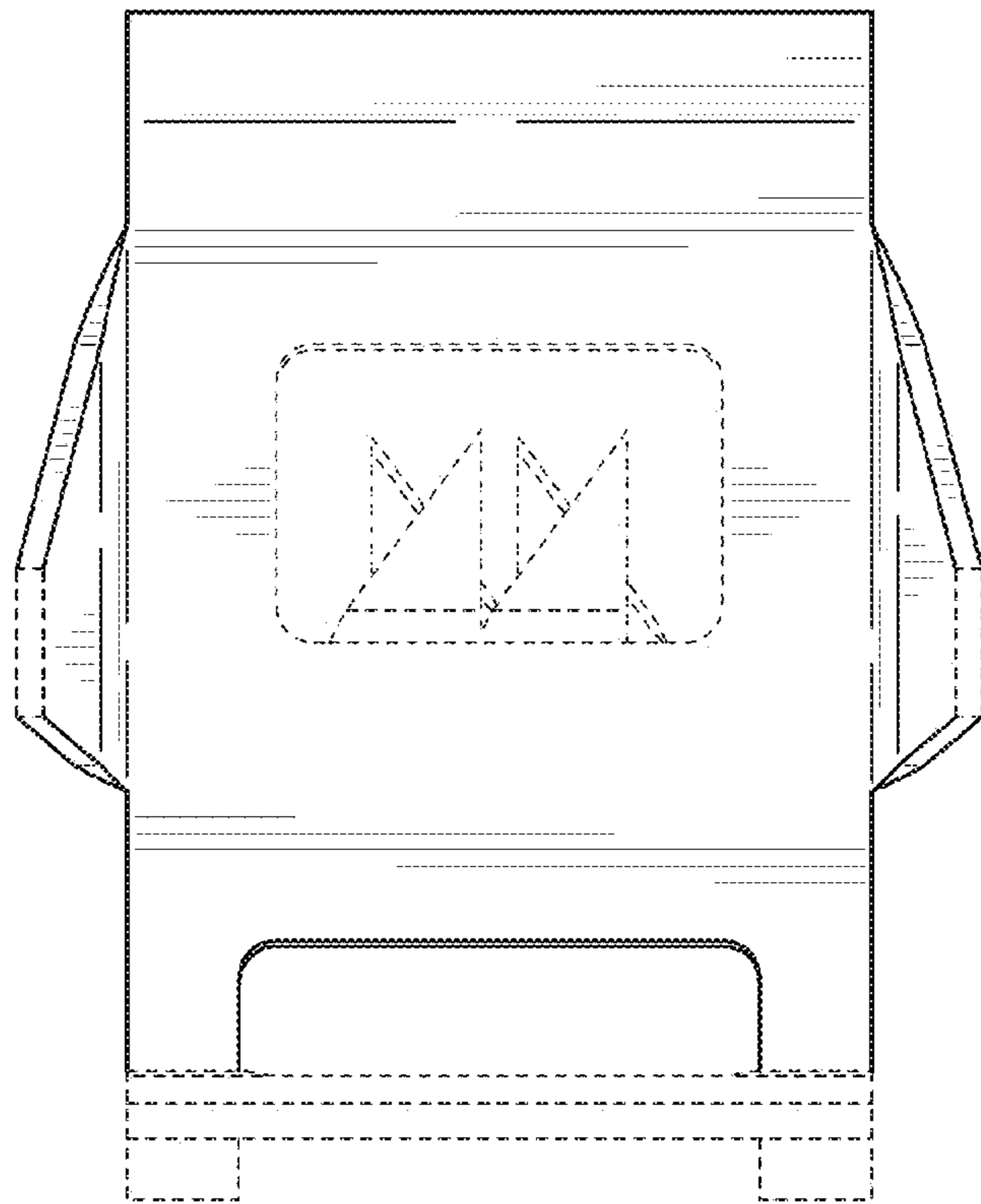


FIG. 3

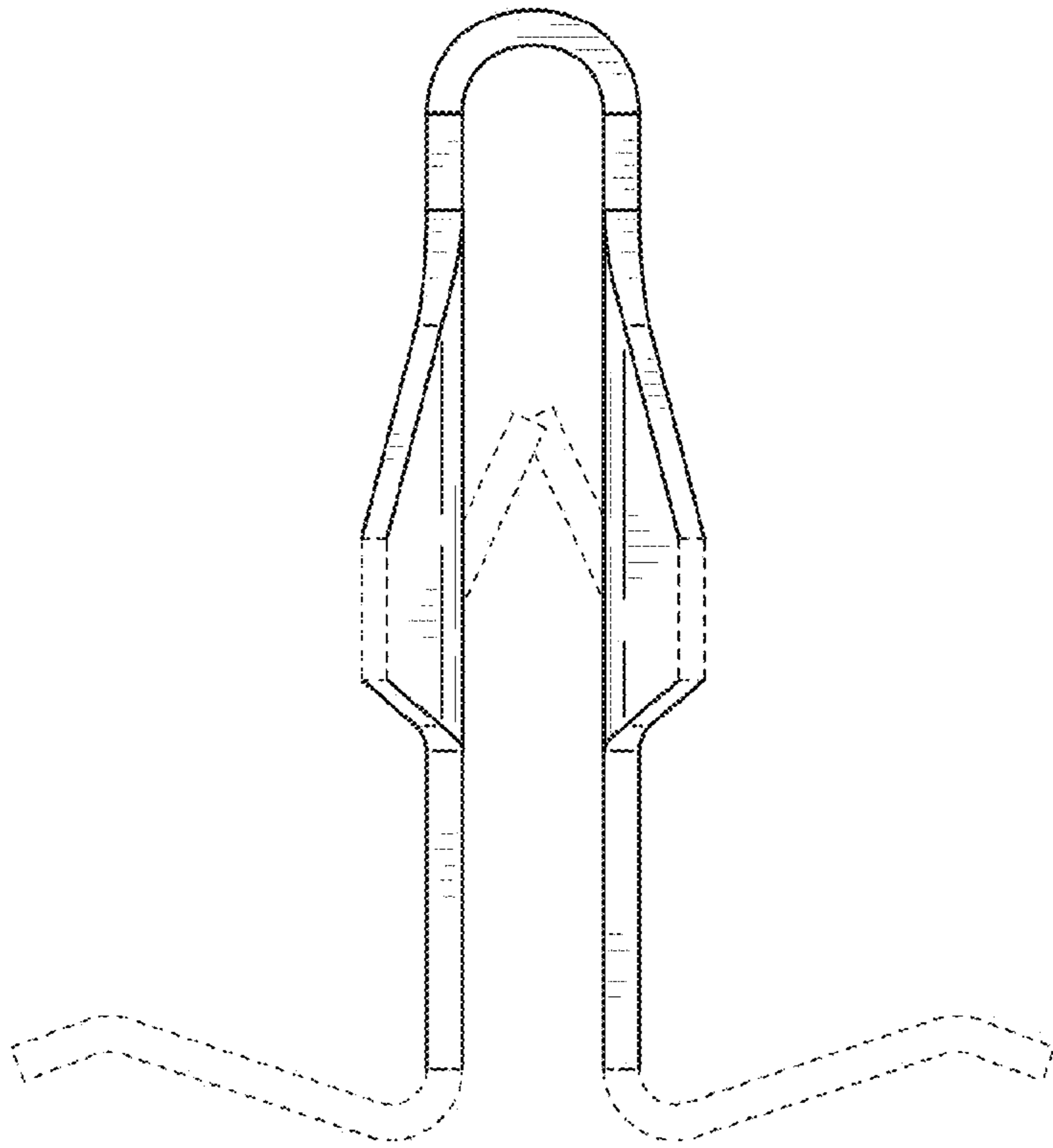


FIG. 4

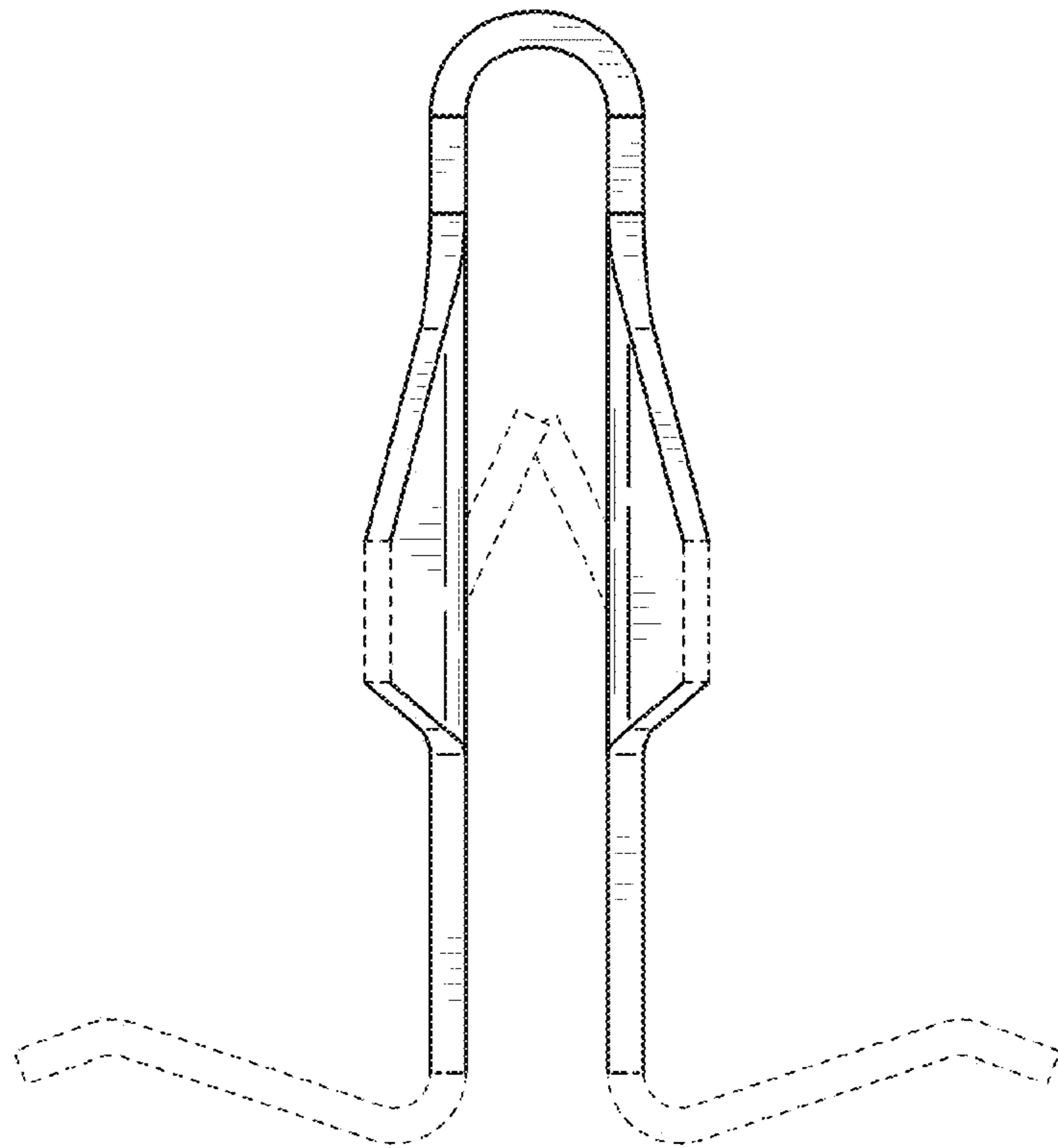


FIG. 5

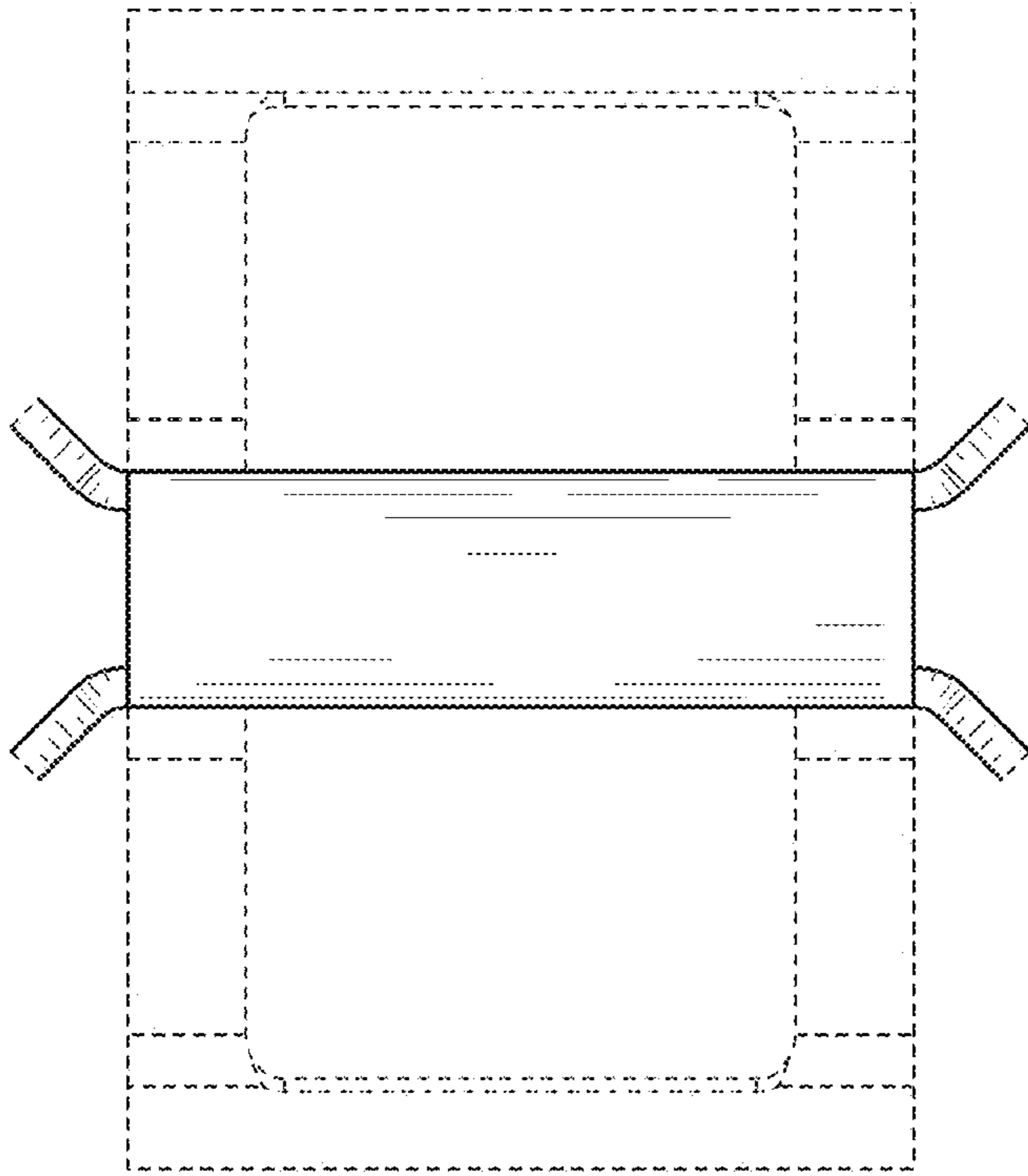


FIG. 6

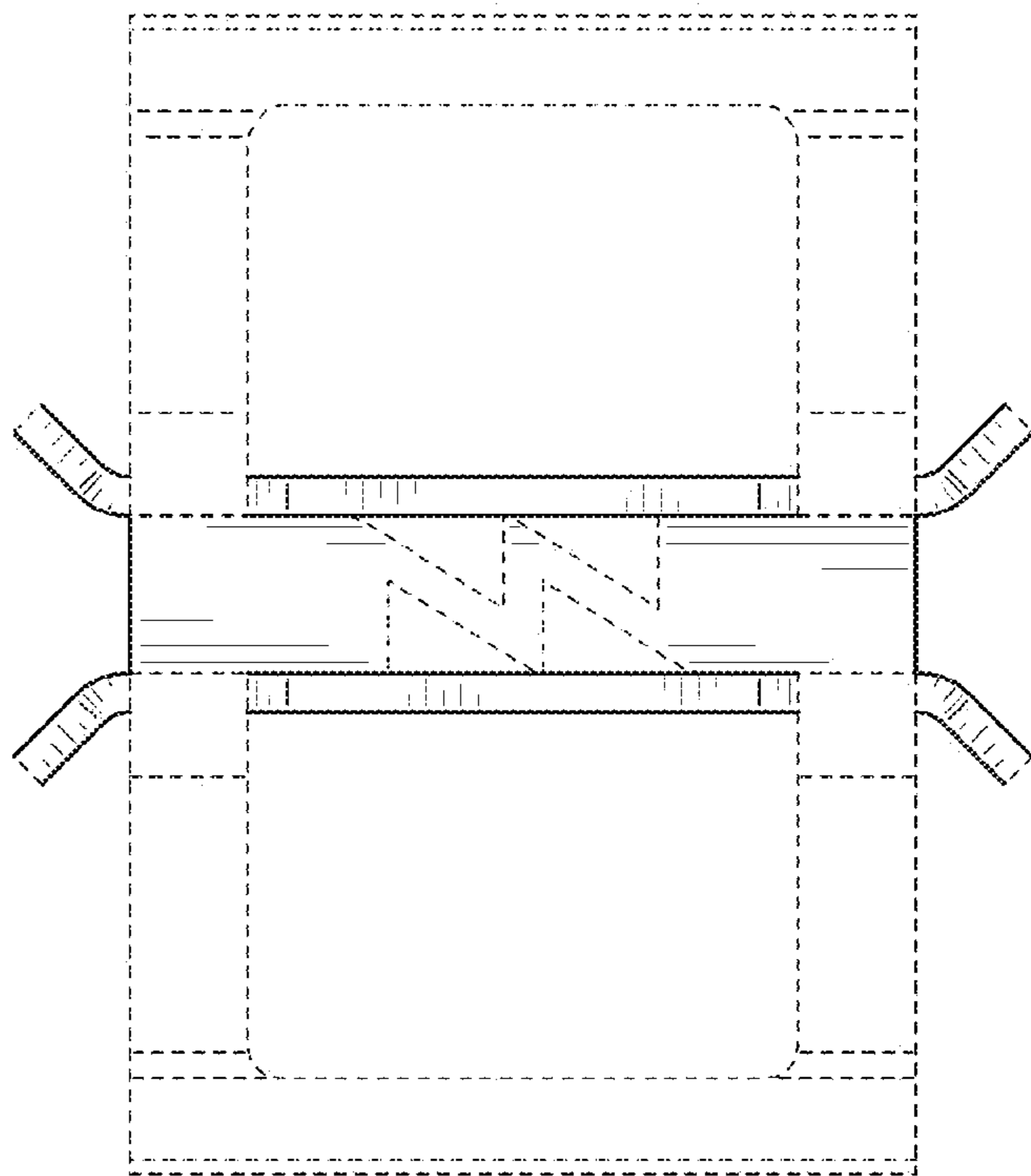


FIG. 7