

US00D969586S

(12) **United States Design Patent**  
**Cohen et al.**

(10) **Patent No.:** **US D969,586 S**

(45) **Date of Patent:** **\*\* Nov. 15, 2022**

(54) **HANDLE**

(71) Applicant: **Pegasus Medical (Israel) Ltd**, Ramat Gan (IL)

(72) Inventors: **Tsvia Cohen**, Tel Aviv (IL); **Oren Mendelson**, Hod-Hasharon (IL)

(73) Assignee: **PEGASUS MEDICAL (ISRAEL) LTD**

(\*\*) Term: **15 Years**

(21) Appl. No.: **29/772,273**

(22) Filed: **Mar. 1, 2021**

(51) **LOC (13) Cl.** ..... **08-06**

(52) **U.S. Cl.**  
USPC ..... **D8/301**

(58) **Field of Classification Search**  
USPC ..... D8/300, 301, 303, 307, 313, 314;  
D24/185  
CPC ..... A61B 50/13; A61B 2050/105; B62B 3/00;  
B62B 3/005; B62B 3/002; B62B 5/0438  
See application file for complete search history.

(56) **References Cited**

**U.S. PATENT DOCUMENTS**

D184,420 S \* 2/1959 Carlisle ..... D20/43  
D384,266 S \* 9/1997 Mantarakis ..... D8/301

D515,767 S \* 2/2006 Arceta ..... D34/12  
D521,351 S \* 5/2006 Alehin ..... D8/301  
D546,160 S \* 7/2007 Reithmeyer ..... D8/301  
D547,160 S \* 7/2007 Hand ..... D8/316  
2001/0035702 A1\* 11/2001 Murphy ..... A61B 50/10  
312/285  
2022/0032345 A1\* 2/2022 Maloley ..... A61L 2/10  
2022/0142621 A1\* 5/2022 Zollinger ..... A61B 50/13

\* cited by examiner

*Primary Examiner* — Lauren R Calve

(74) *Attorney, Agent, or Firm* — Fresh IP PLC; Clifford D. Hyra; Aubrey Y. Chen

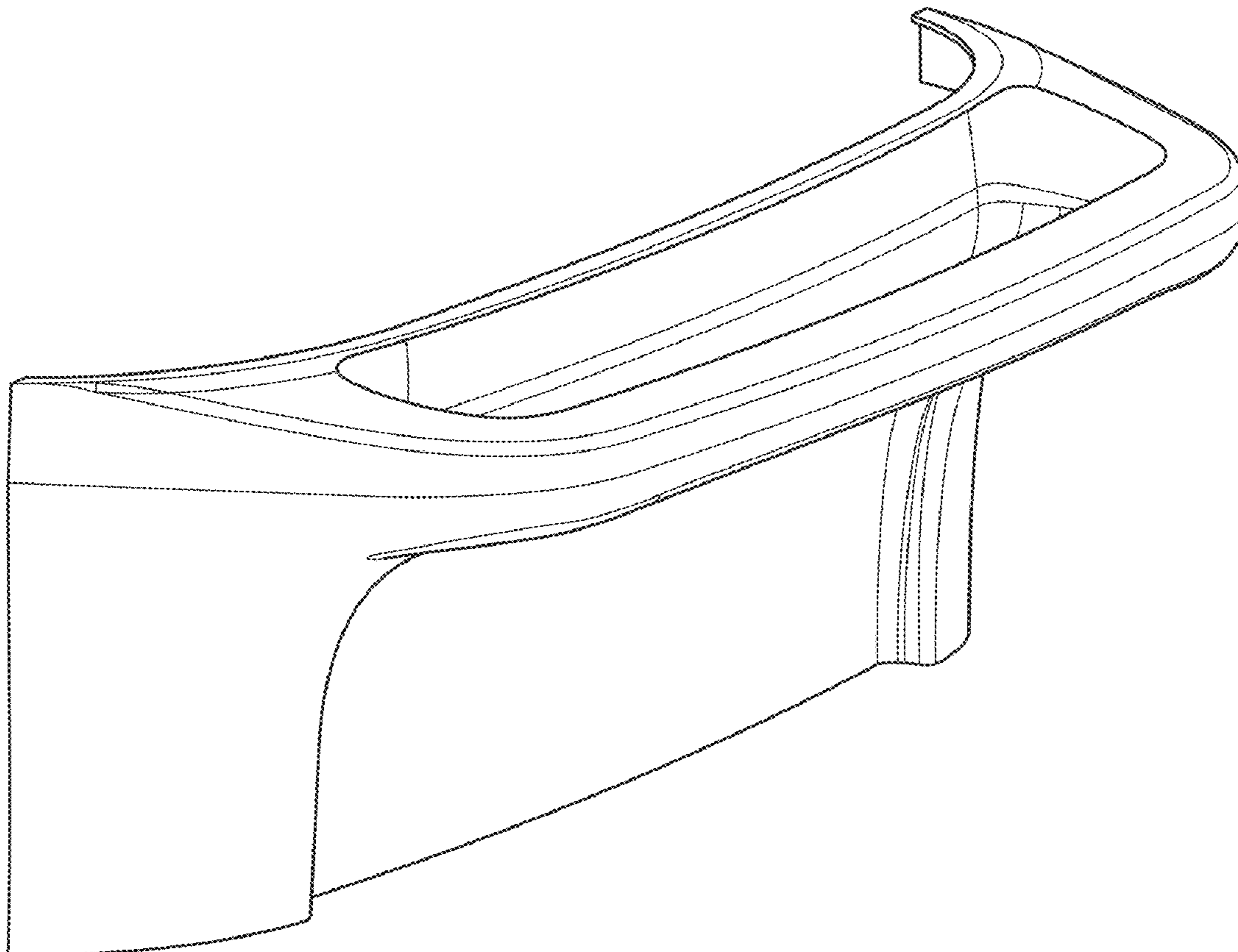
(57) **CLAIM**

The ornamental design for a handle, as shown and described.

**DESCRIPTION**

FIG. 1 is a perspective view showing a handle;  
FIG. 2 is a front view thereof;  
FIG. 3 is a right side view thereof;  
FIG. 4 is a left side view thereof;  
FIG. 5 is a top view thereof;  
FIG. 6 is a bottom view thereof; and,  
FIG. 7 is a front perspective view showing the handle in a position of use.  
The broken lines in the drawings are included for the purpose of illustrating subject matter that forms no part of the claimed design.

**1 Claim, 7 Drawing Sheets**



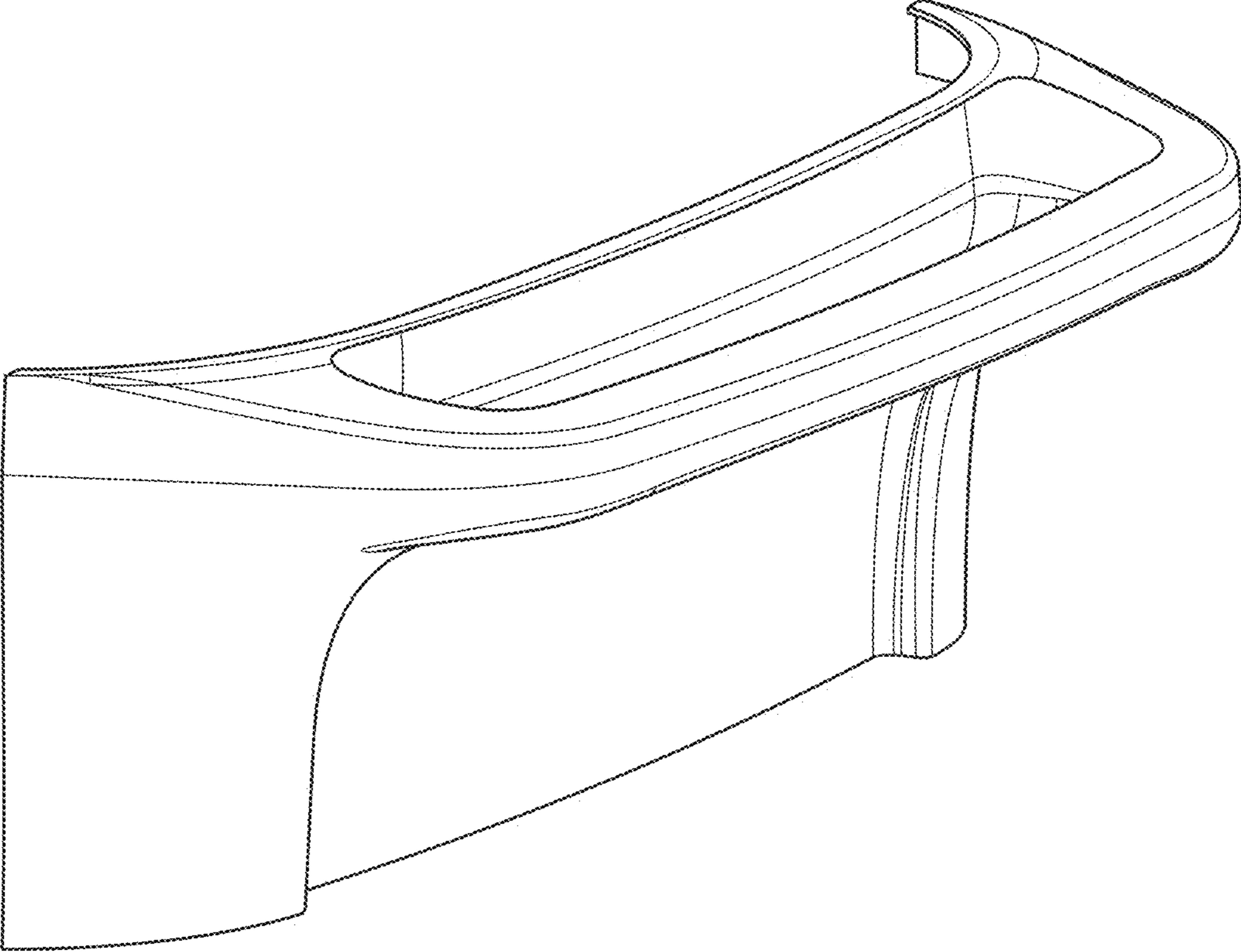


FIG. 1

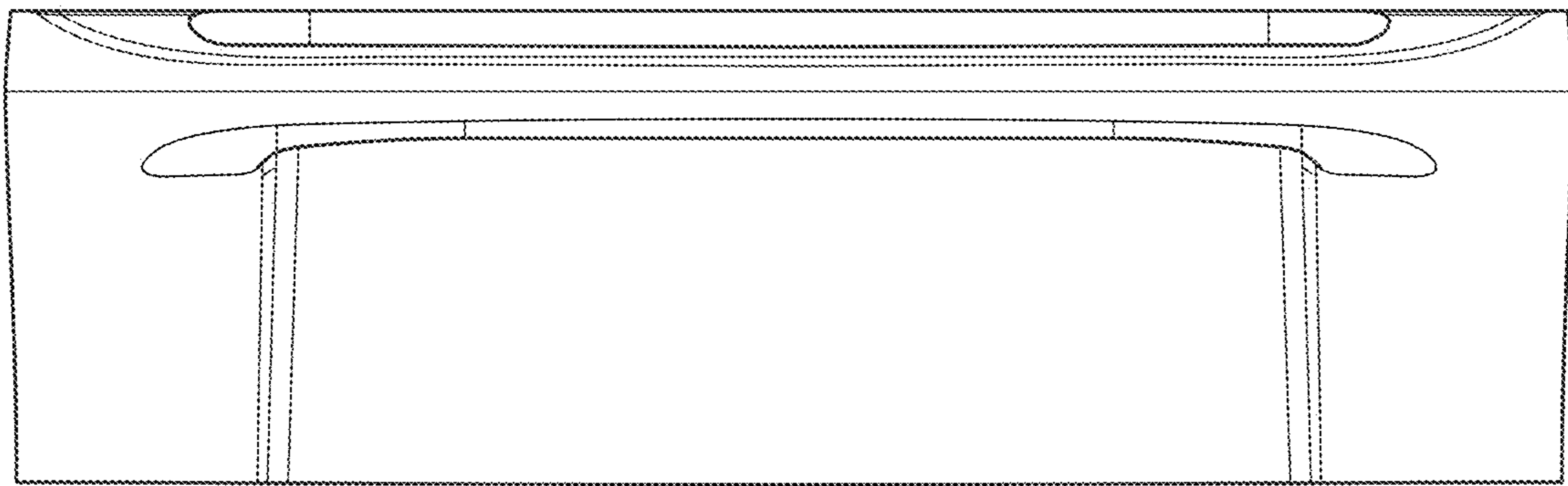


FIG. 2

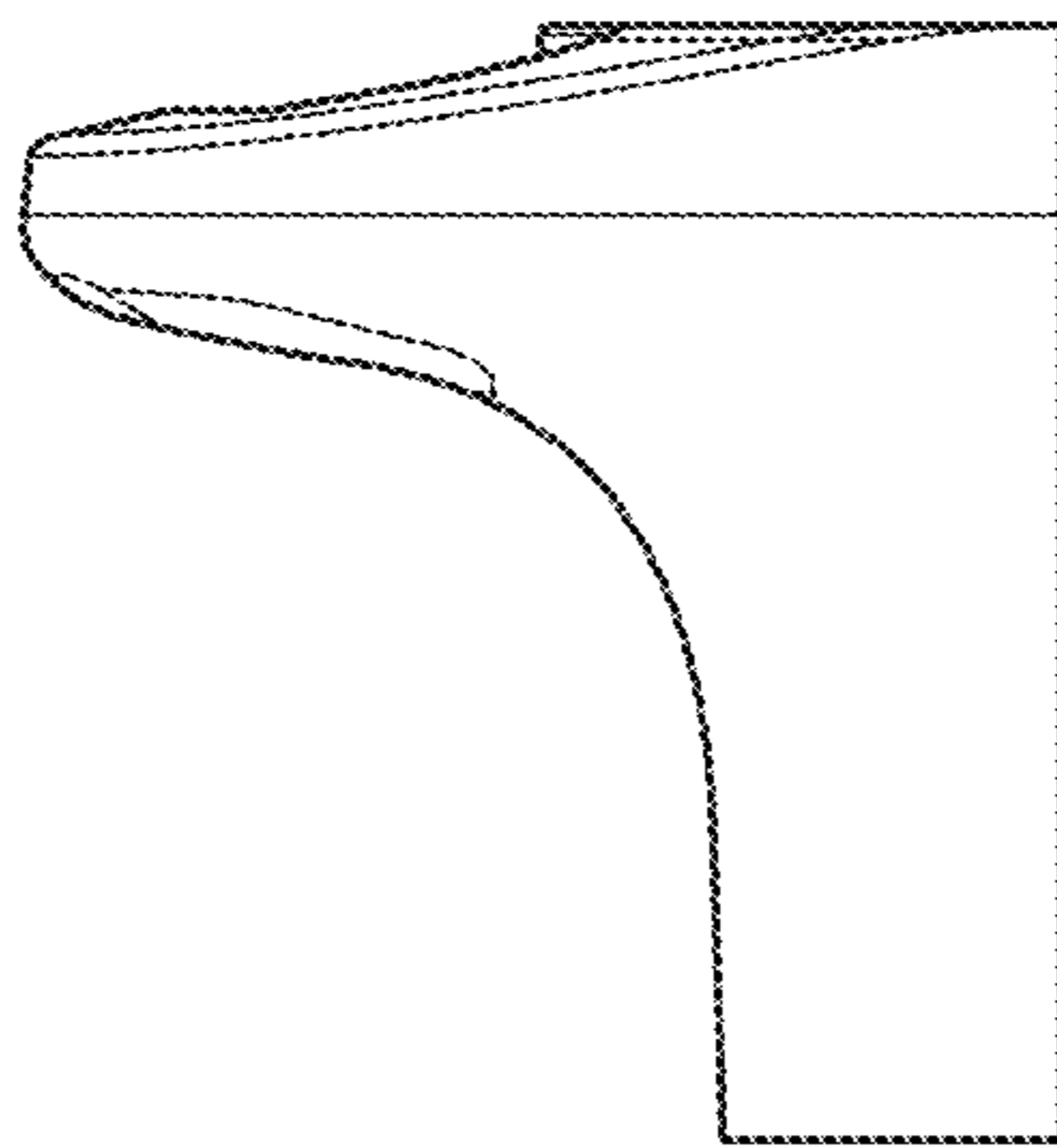


FIG. 3

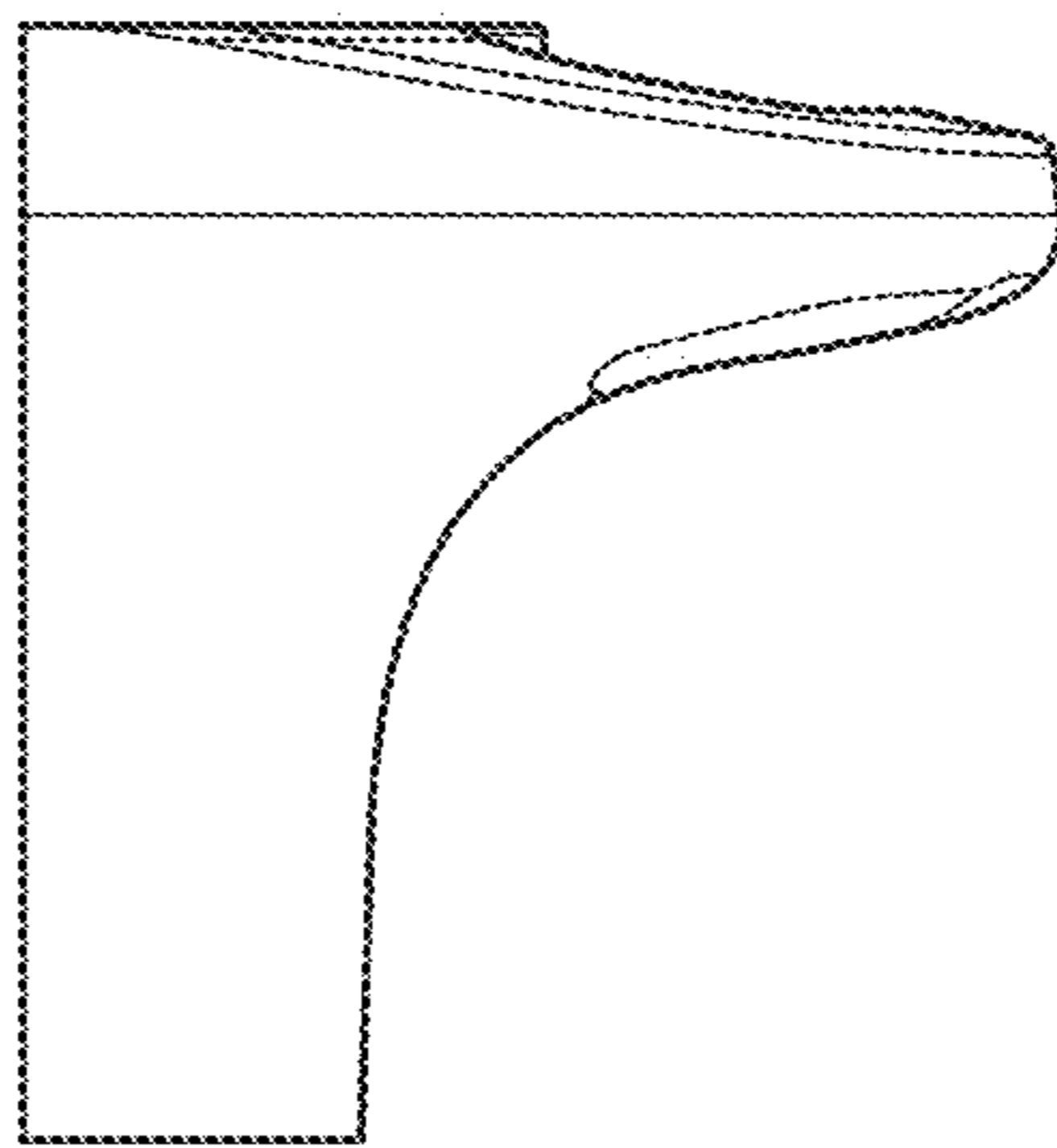


FIG. 4

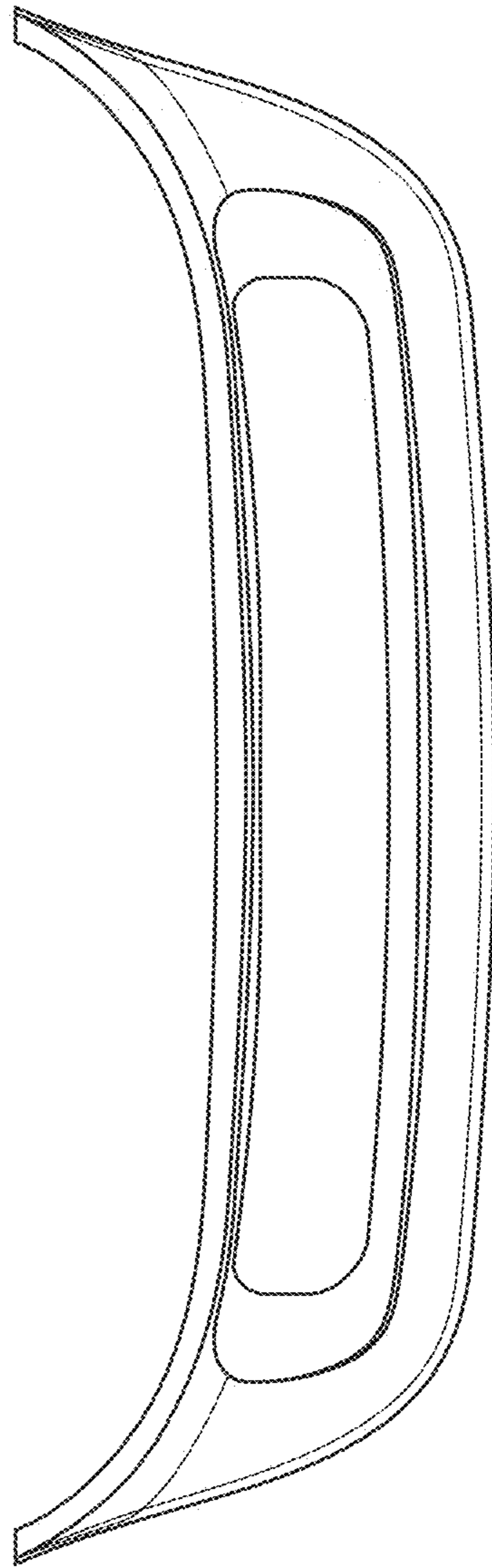


FIG. 5

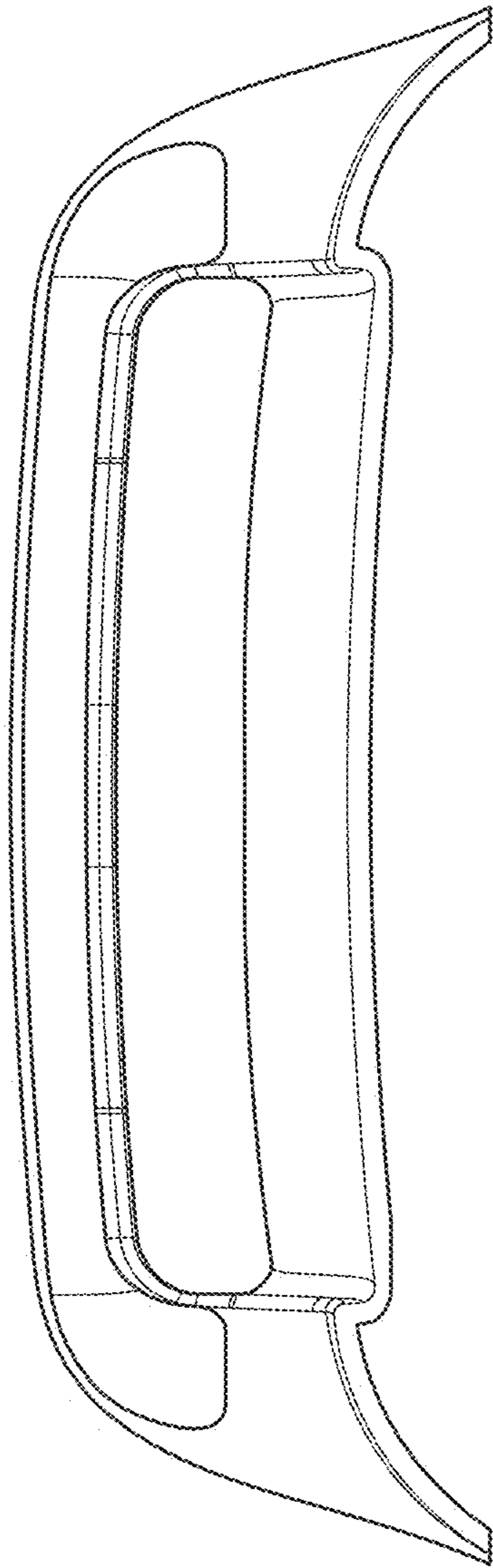


FIG. 6



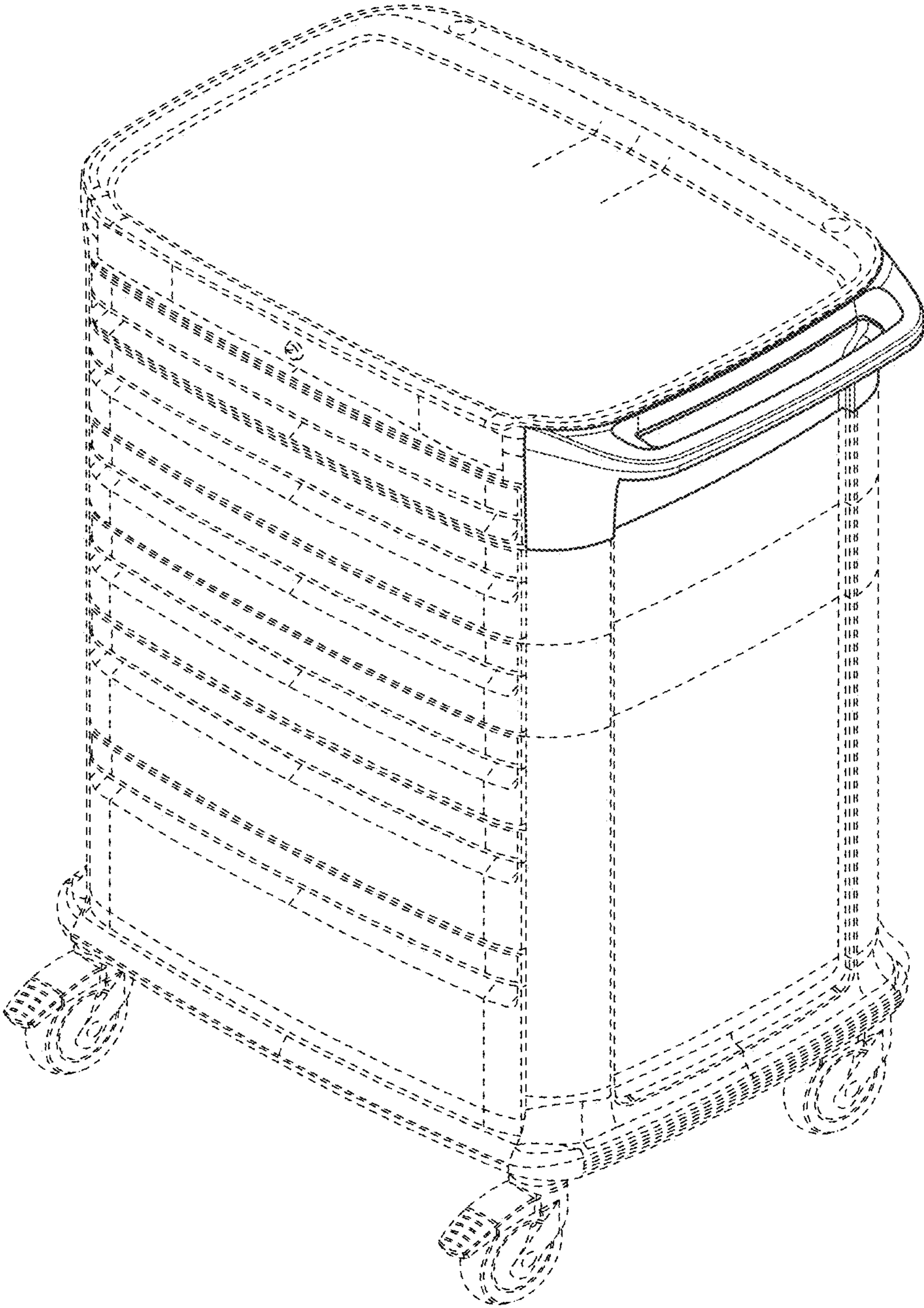


FIG. 7