



US00D969585S

(12) **United States Design Patent**
Rimmele et al.

(10) **Patent No.:** **US D969,585 S**

(45) **Date of Patent:** **** Nov. 15, 2022**

(54) **TOOL HANDLE**

(71) Applicant: **KARL STORZ SE & Co. KG,**
Tuttlingen (DE)

(72) Inventors: **Elena Rimmele,** Tuttlingen (DE);
Michael Strobel, Straubing (DE)

(73) Assignee: **KARL STORZ SE & CO. KG,**
Tuttlingen (DE)

(**) Term: **15 Years**

(21) Appl. No.: **29/773,021**

(22) Filed: **Mar. 5, 2021**

(51) **LOC (13) Cl.** **08-05**

(52) **U.S. Cl.**
USPC **D8/107**

(58) **Field of Classification Search**
USPC D8/14, 51, 82, 83, 84, 85, 107, 300;
D24/133; D4/138
CPC B25B 15/00; B25B 15/001; B25B 15/02;
B25B 15/04; B25G 1/005; B25G 1/063
See application file for complete search history.

(56) **References Cited**

U.S. PATENT DOCUMENTS

D307,236 S * 4/1990 Cascio D8/82
5,437,212 A * 8/1995 Thompson B25B 15/04
81/63.1

D382,188 S * 8/1997 Lin D8/83
D401,491 S * 11/1998 Shiao D8/83
D446,706 S * 8/2001 Kalomeris D8/83
D449,505 S * 10/2001 Glass D8/83
D569,210 S * 5/2008 Chien B25B 15/04
D8/83
D629,666 S * 12/2010 Lai D8/83
D694,608 S * 12/2013 Nelson D8/83
D717,143 S * 11/2014 Jannitto D8/21
D720,590 S * 1/2015 Carl D8/85
D720,591 S * 1/2015 Carl D8/85
D829,524 S * 10/2018 Su D8/83
D867,845 S * 11/2019 Hsu D8/83

* cited by examiner

Primary Examiner — Philip S Hyder

(74) *Attorney, Agent, or Firm* — Eversheds Sutherland
(US) LLP

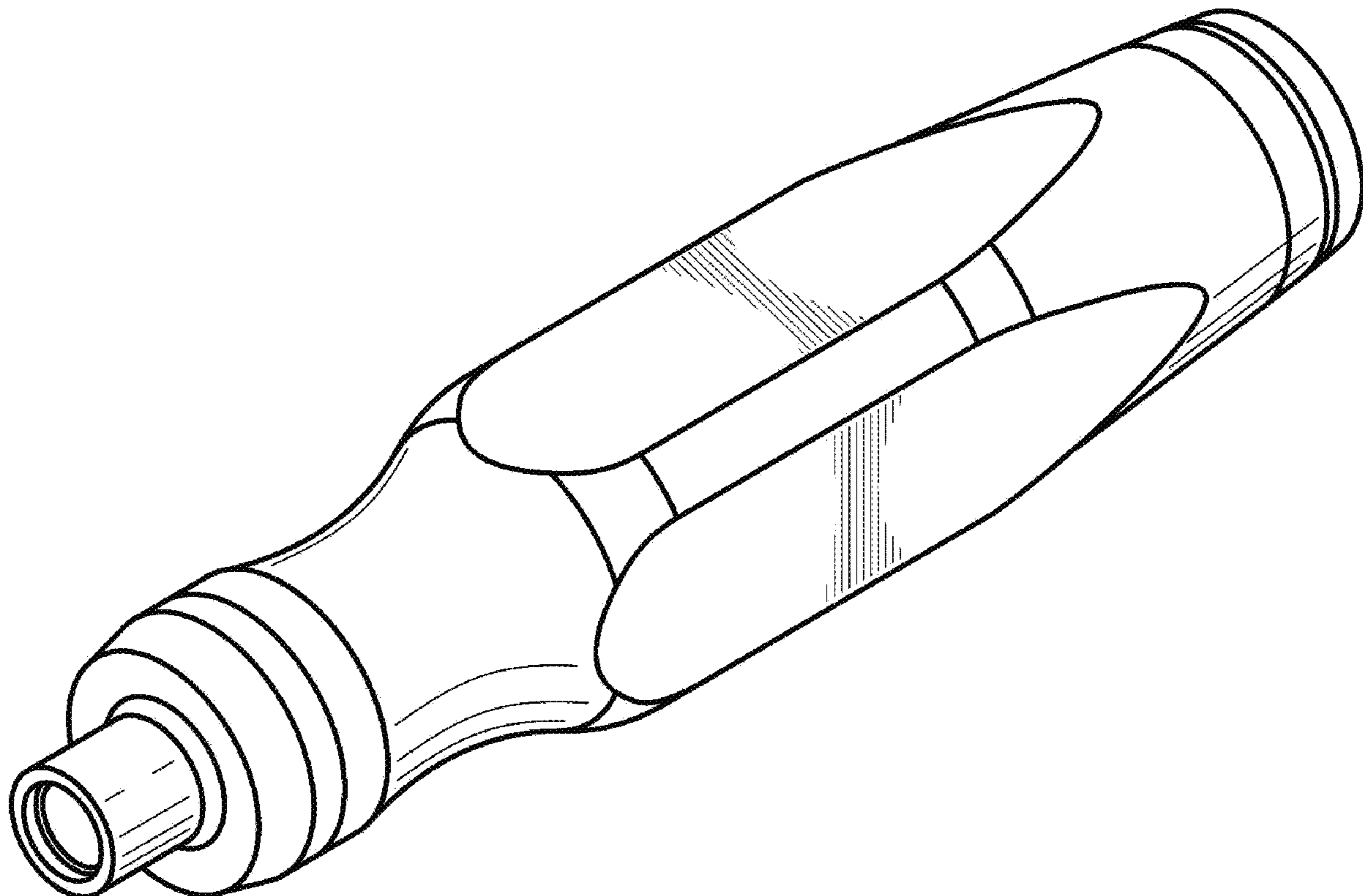
(57) **CLAIM**

The ornamental design for a tool handle, as shown and described.

DESCRIPTION

FIG. 1 is a perspective view of a tool handle showing our new design;
FIG. 2 is a front view thereof;
FIG. 3 is a rear view thereof;
FIG. 4 is a right side view thereof;
FIG. 5 is a left side view thereof;
FIG. 6 is a top view thereof; and,
FIG. 7 is a bottom view thereof.

1 Claim, 2 Drawing Sheets



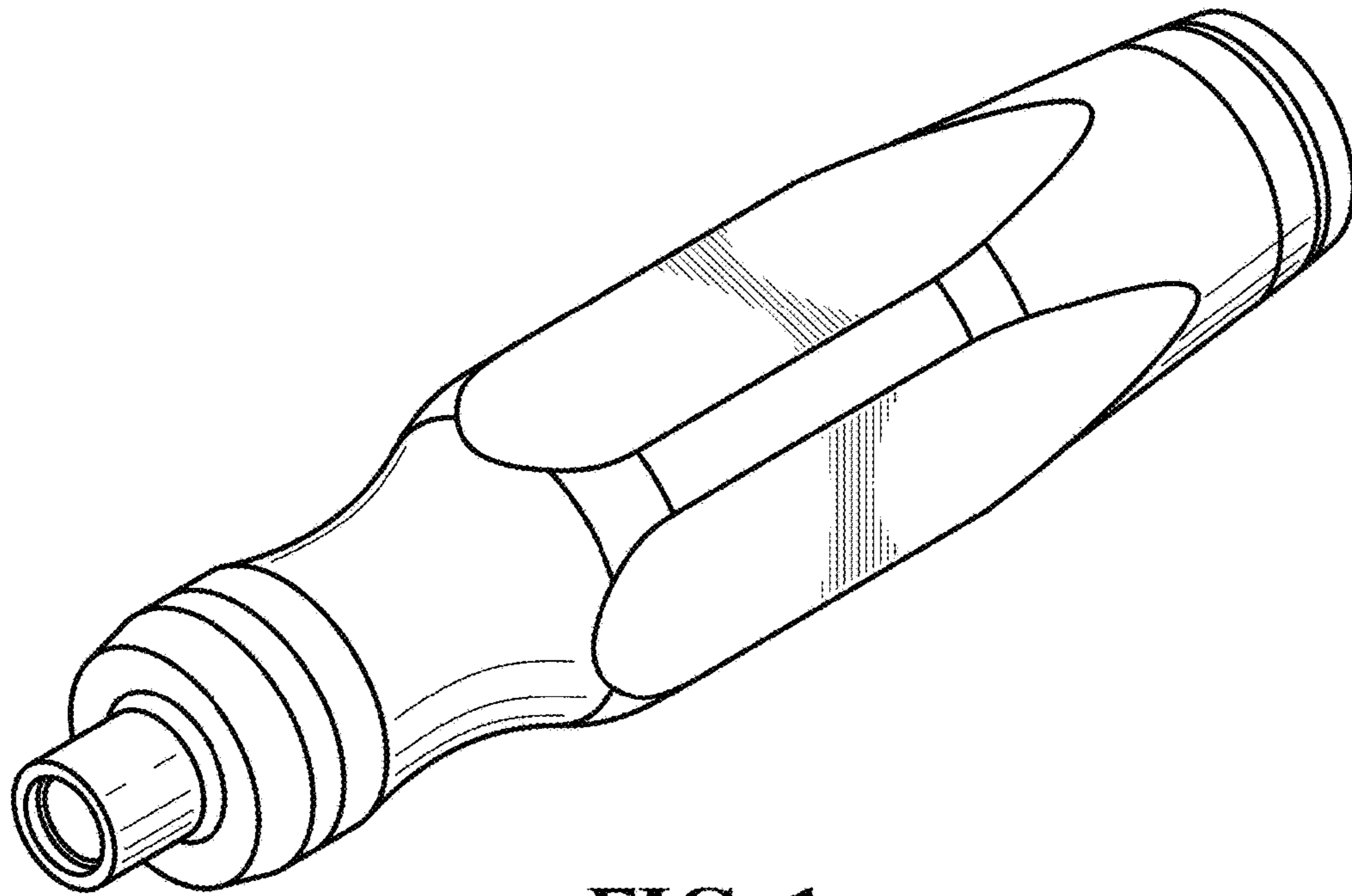


FIG. 1

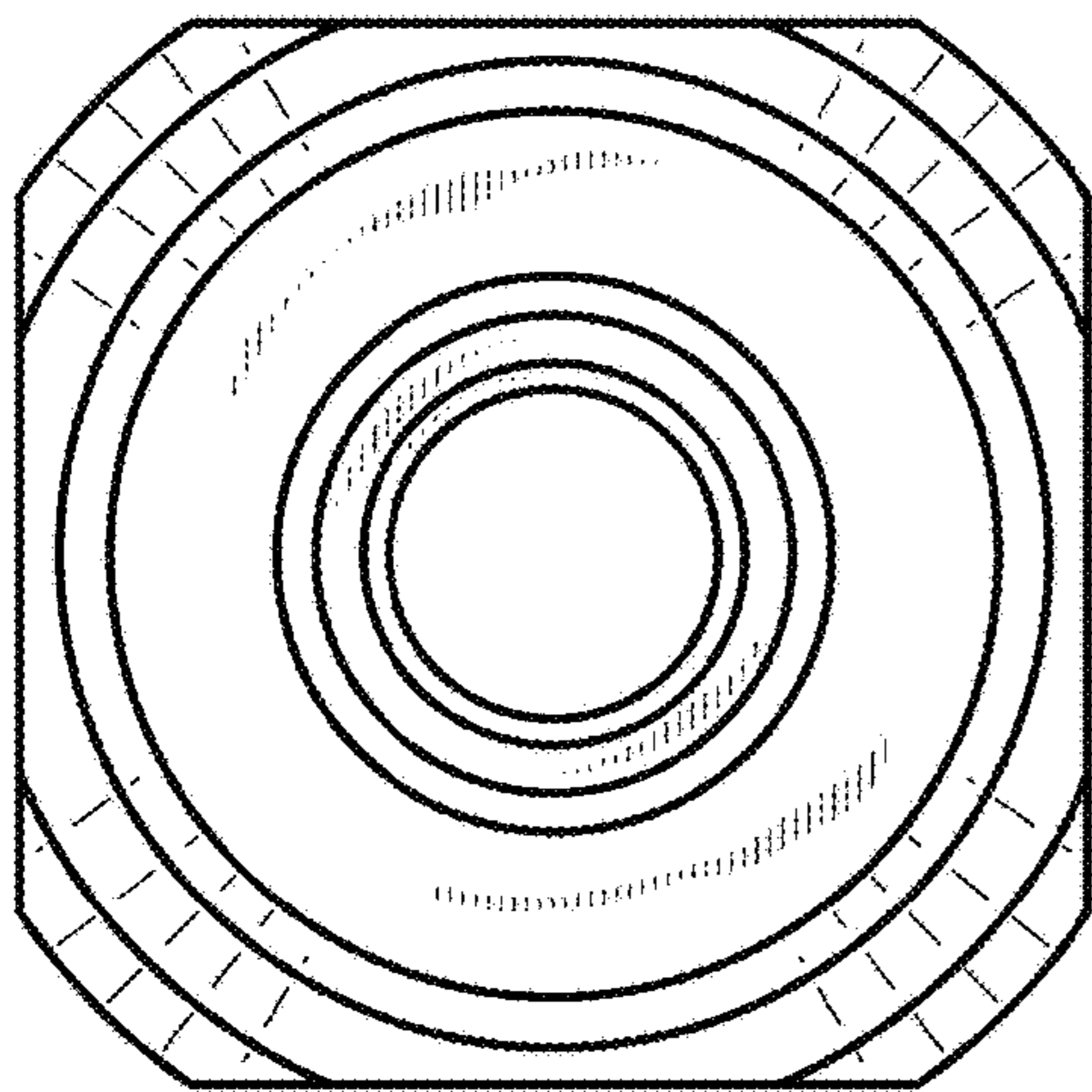


FIG. 2

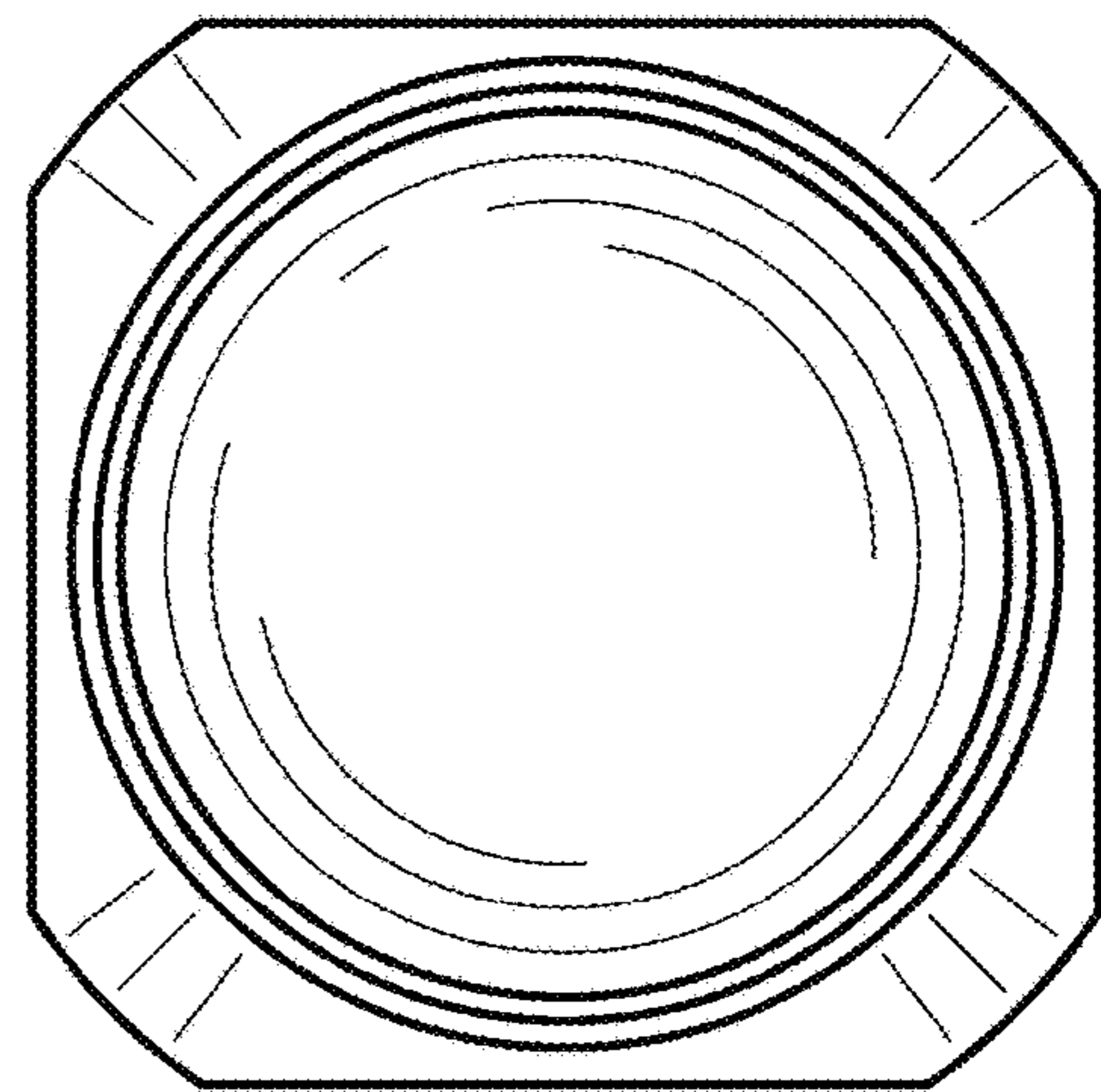


FIG. 3

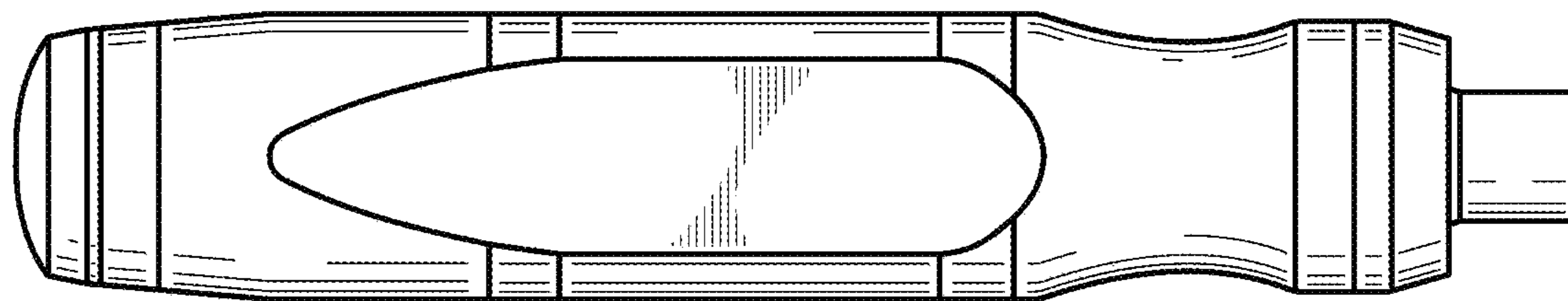


FIG. 4

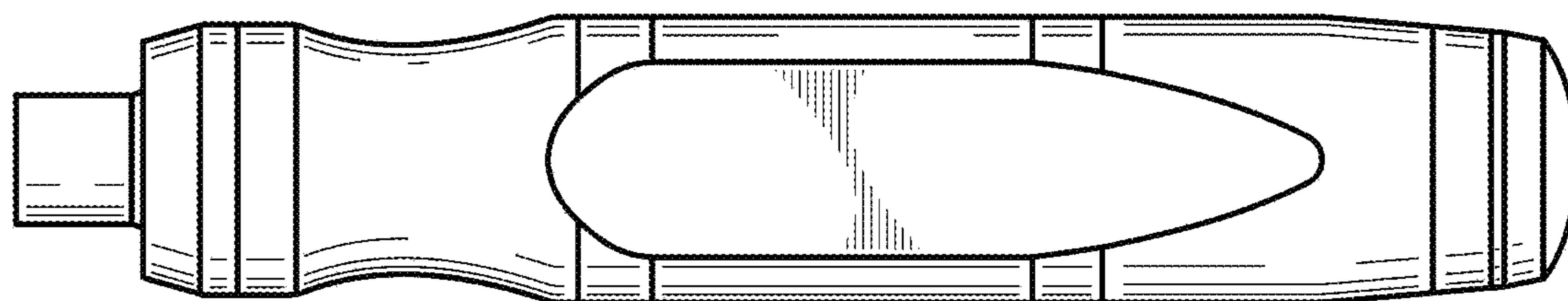


FIG. 5

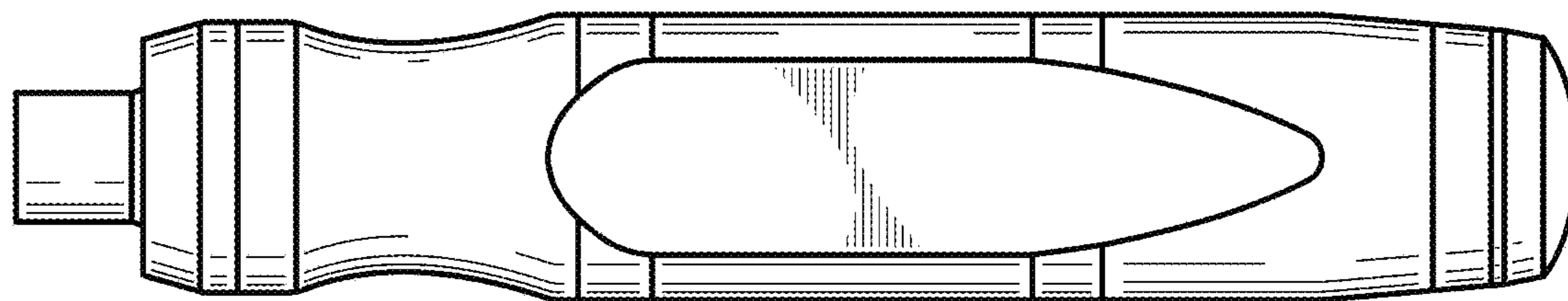


FIG. 6

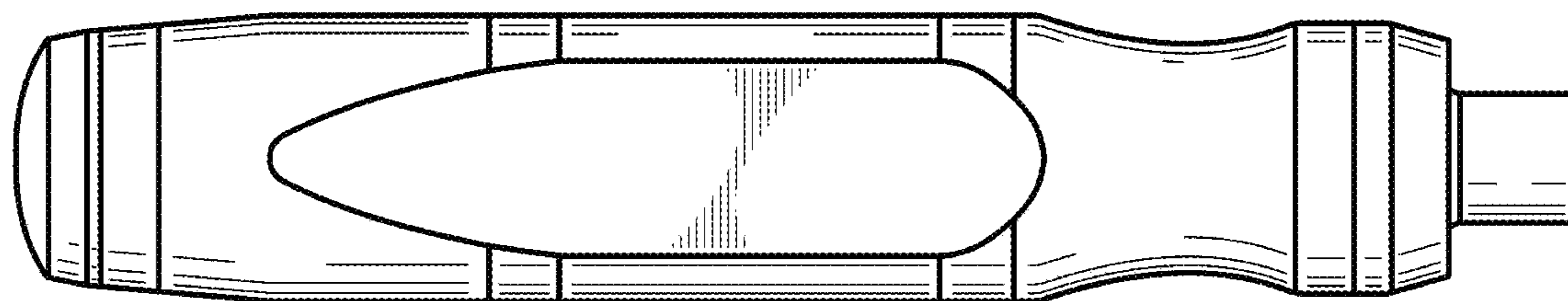


FIG. 7