



US00D969583S

(12) **United States Design Patent** (10) **Patent No.:** **US D969,583 S**  
**Holder** (45) **Date of Patent:** **\*\* Nov. 15, 2022**

(54) **TOOL BIT** D486,044 S \* 2/2004 Trejo ..... D8/14  
7,210,207 B1 \* 5/2007 Frady ..... B25B 13/5091  
29/256  
(71) Applicant: **Perry Lawrence Holder**, Locust D561,545 S \* 2/2008 Jahn ..... D8/21  
Grove, GA (US) D838,569 S \* 1/2019 Halstead ..... D8/82  
D926,002 S \* 7/2021 Lazarov ..... D8/29  
(72) Inventor: **Perry Lawrence Holder**, Locust D927,948 S \* 8/2021 Wilson ..... D8/29  
Grove, GA (US) 2005/0132848 A1 \* 6/2005 Tassano ..... B25B 13/5091  
81/121.1  
(\*\*) Term: **15 Years** 2011/0269621 A1 \* 11/2011 Emori ..... C04B 35/18  
502/439  
(21) Appl. No.: **29/769,267** 2012/0193111 A1 \* 8/2012 Lechtenberg ..... B25D 17/02  
173/90

(22) Filed: **Feb. 4, 2021**  
(51) **LOC (13) Cl.** ..... **08-05**  
(52) **U.S. Cl.**  
USPC ..... **D8/71**  
(58) **Field of Classification Search**  
USPC ..... D8/14, 21, 29, 70; D15/139  
CPC ..... B25B 13/5091; B25B 13/48; Y10T  
29/53843; Y10T 29/53848; B25D 17/02;  
B25D 2217/0007; E04H 17/263; E04H  
12/2223

See application file for complete search history.

(56) **References Cited**

U.S. PATENT DOCUMENTS

D303,342 S \* 9/1989 Katz ..... D8/29  
D342,001 S \* 12/1993 Hibbert ..... D17/20  
D366,996 S \* 2/1996 Torres ..... D17/22  
D376,520 S \* 12/1996 Morin ..... D8/21  
D386,056 S \* 11/1997 Streeter ..... D8/70  
D421,882 S \* 3/2000 Mattei ..... 84/458  
D432,880 S \* 10/2000 Rice ..... D8/29

\* cited by examiner

*Primary Examiner* — Philip S Hyder

(74) *Attorney, Agent, or Firm* — Michael J. Bootcheck, LLC; Michael J. Bootcheck

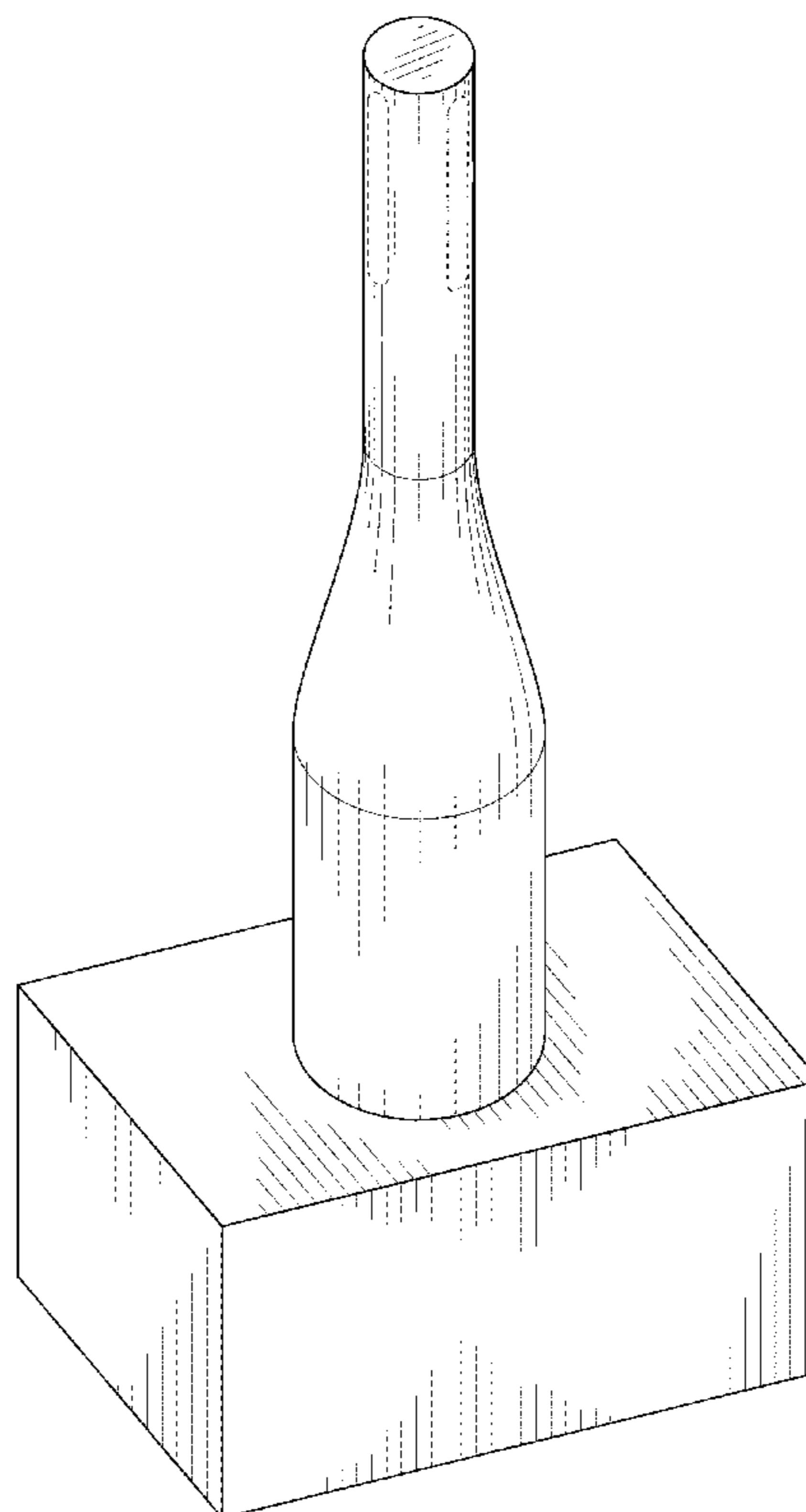
(57) **CLAIM**

The ornamental design for a tool bit, as shown and described.

**DESCRIPTION**

FIG. 1 is a perspective view of the tool bit showing the new design, wherein the broken lines depict optional components that form no part of the claimed design;  
FIG. 2 is a front view thereof;  
FIG. 3 is a rear view thereof;  
FIG. 4 is a first side view thereof;  
FIG. 5 is a second side view thereof;  
FIG. 6 is a top view thereof; and,  
FIG. 7 is a bottom view thereof.

**1 Claim, 5 Drawing Sheets**



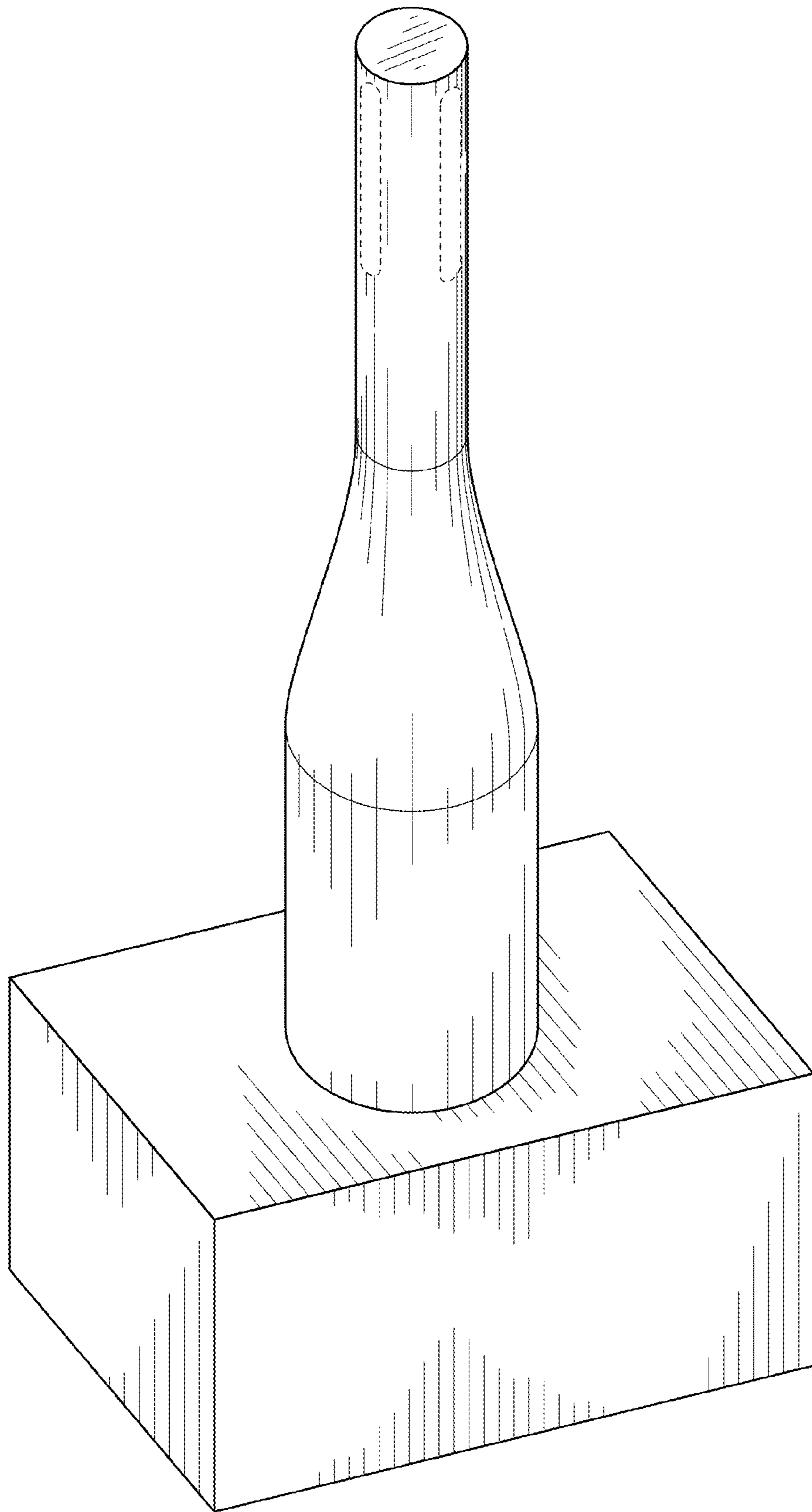


FIG. 1

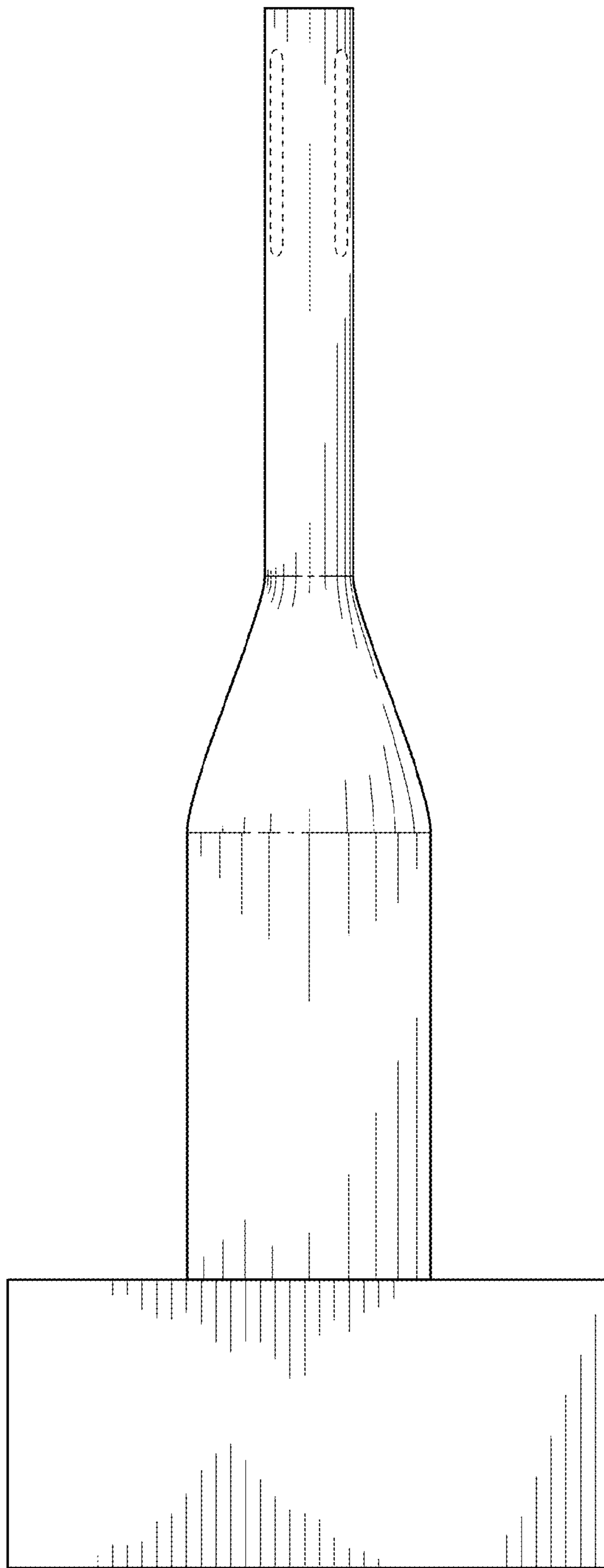


FIG. 2

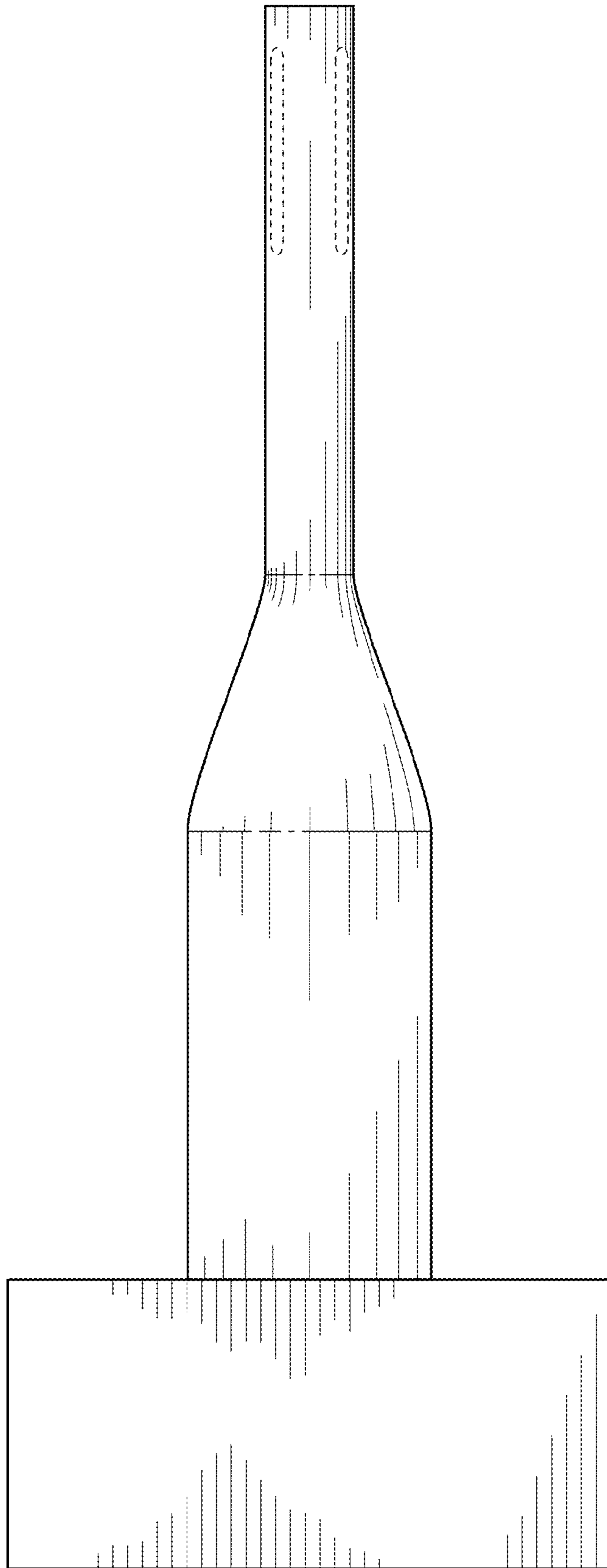


FIG. 3

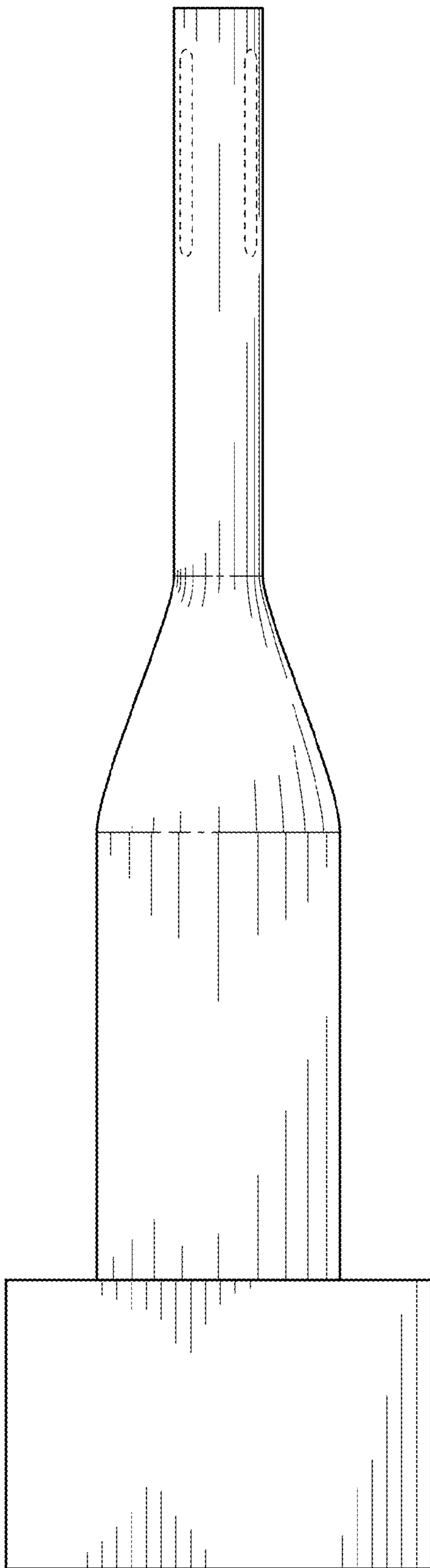


FIG. 4

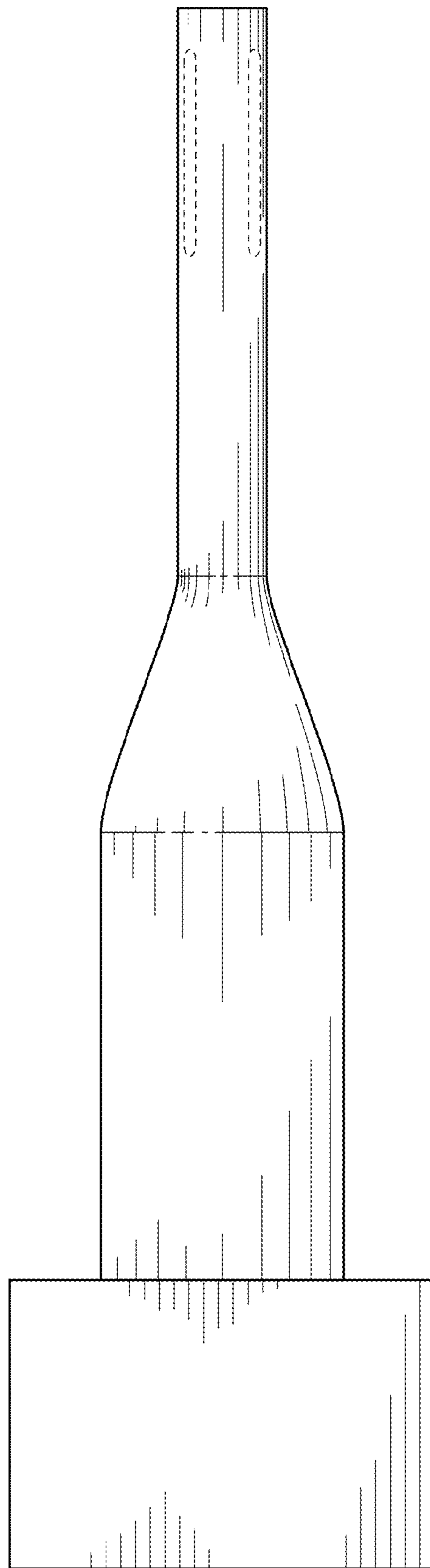


FIG. 5

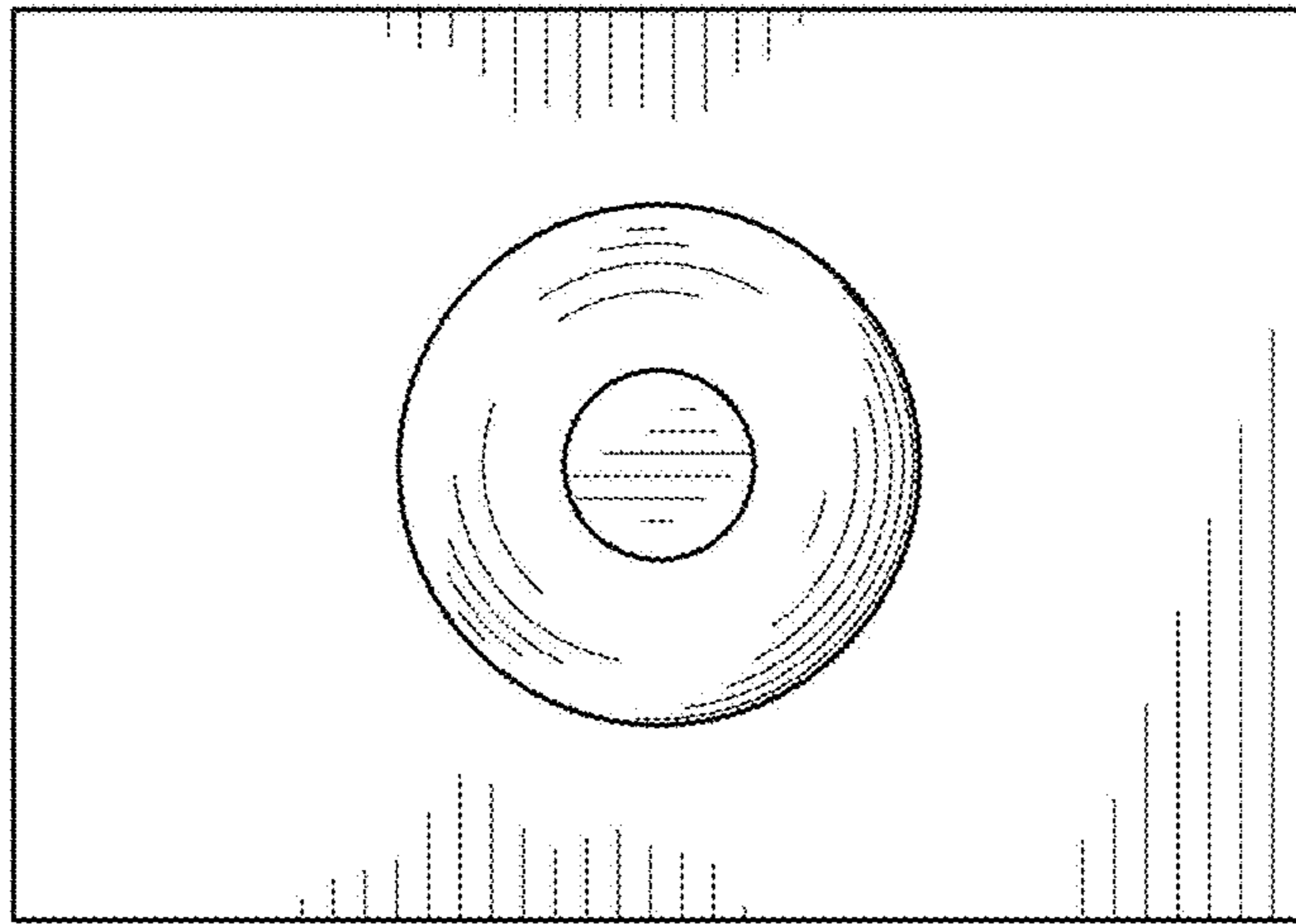


FIG. 6

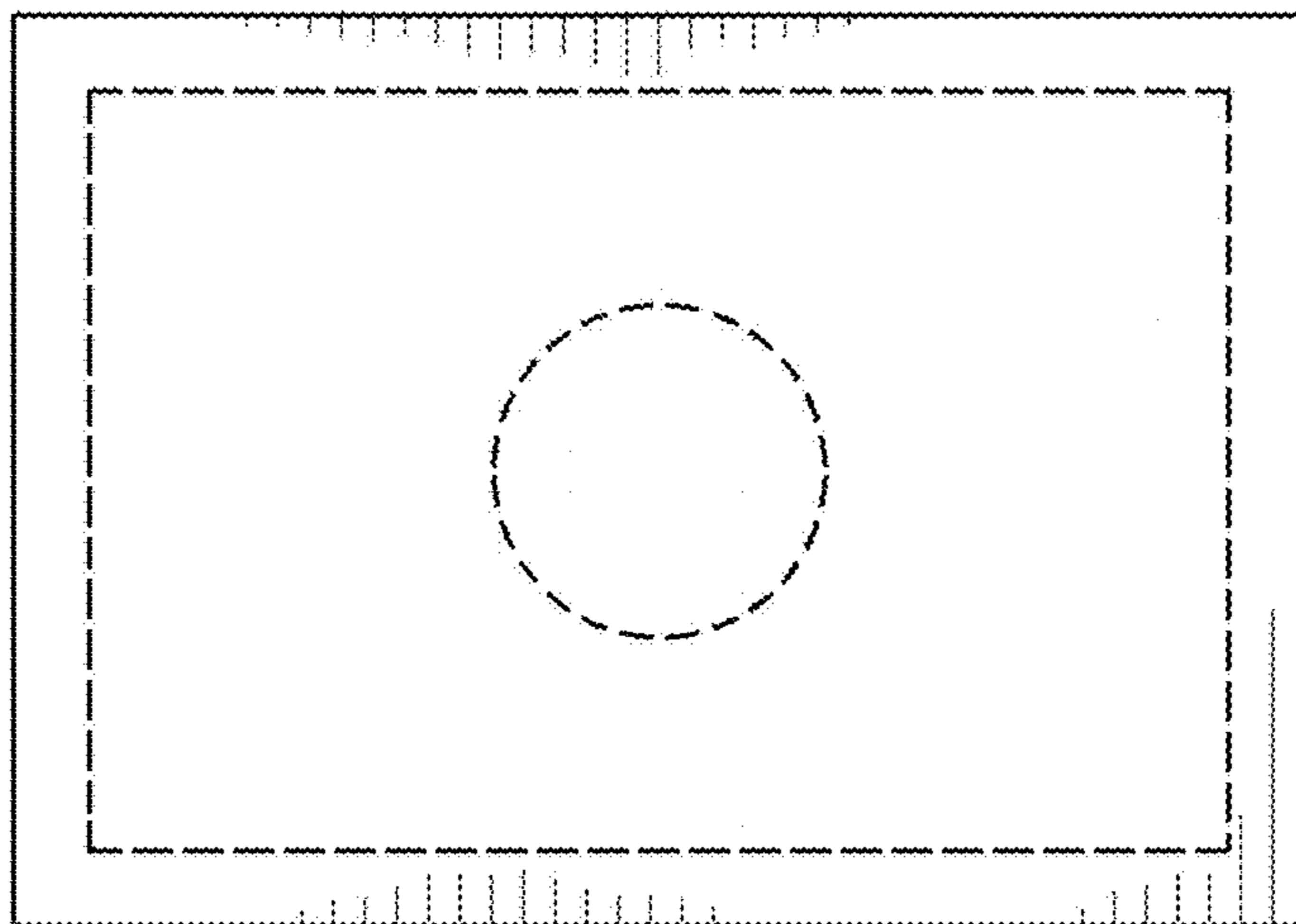


FIG. 7