



US00D969581S

(12) **United States Design Patent**
Brinson

(10) **Patent No.:** **US D969,581 S**

(45) **Date of Patent:** **** Nov. 15, 2022**

- (54) **WIRE STRIPPER WITH THUMB RECESS**
- (71) Applicant: **Southwire Company, LLC**, Carrollton, GA (US)
- (72) Inventor: **Taylor Mykle Brinson**, Mableton, GA (US)
- (73) Assignee: **Southwire Company, LLC**, Carrollton, GA (US)

- 6,234,050 B1 5/2001 Konen et al.
- 6,473,925 B1 11/2002 Konen
- 6,588,039 B1 7/2003 Bates
- 6,619,158 B2 9/2003 Bates et al.
- 6,739,217 B2 5/2004 Hartranft et al.

(Continued)

(**) Term: **15 Years**

(21) Appl. No.: **29/703,518**

(22) Filed: **Aug. 28, 2019**

(51) **LOC (13) Cl.** **08-05**

(52) **U.S. Cl.**
USPC **D8/52; D8/55**

(58) **Field of Classification Search**
USPC D8/51-60
CPC .. H02G 1/1204; H02G 1/1207; H02G 1/1209;
H02G 1/1217; H02G 1/1219
See application file for complete search history.

(56) **References Cited**

U.S. PATENT DOCUMENTS

- | | | | | |
|-----------|-----|---------|---------------|----------------------|
| 669,556 | A | 3/1901 | Spring | |
| 2,594,363 | A | 4/1952 | Stephenson | |
| 2,742,698 | A | 4/1956 | McGary et al. | |
| 2,940,343 | A | 6/1960 | Hindenburg | |
| D213,848 | S * | 4/1969 | Hindenburg | D8/58 |
| 3,447,172 | A | 6/1969 | Clark | |
| 3,654,647 | A * | 4/1972 | Neff | H02G 1/1214
D8/58 |
| 3,831,207 | A | 8/1974 | Boyajian | |
| 3,871,078 | A | 3/1975 | Ogle | |
| 3,947,905 | A | 4/1976 | Neff | |
| 4,141,141 | A | 2/1979 | ViPond | |
| 4,225,990 | A | 10/1980 | Theiler, Sr. | |
| D369,534 | S * | 5/1996 | Liou | D8/55 |
| D421,376 | S | 3/2000 | Neff | |

FOREIGN PATENT DOCUMENTS

- | | | |
|----|-------------|--------|
| CN | 103753416 | 4/2014 |
| KR | 20140097791 | 8/2014 |

Primary Examiner — Deanna L Pratt

(74) *Attorney, Agent, or Firm* — Merchant & Gould P.C.

(57) **CLAIM**

The ornamental design for a wire stripper with thumb recess, as shown and described.

DESCRIPTION

FIG. 1 is a front side perspective view of a wire stripper, according to a first example embodiment of the present invention.

FIG. 2 is a front view of the wire stripper shown in FIG. 1. FIG. 3 is a back side view of the wire stripper shown in FIG. 1.

FIG. 4 is a left side view of the wire stripper shown in FIG. 1.

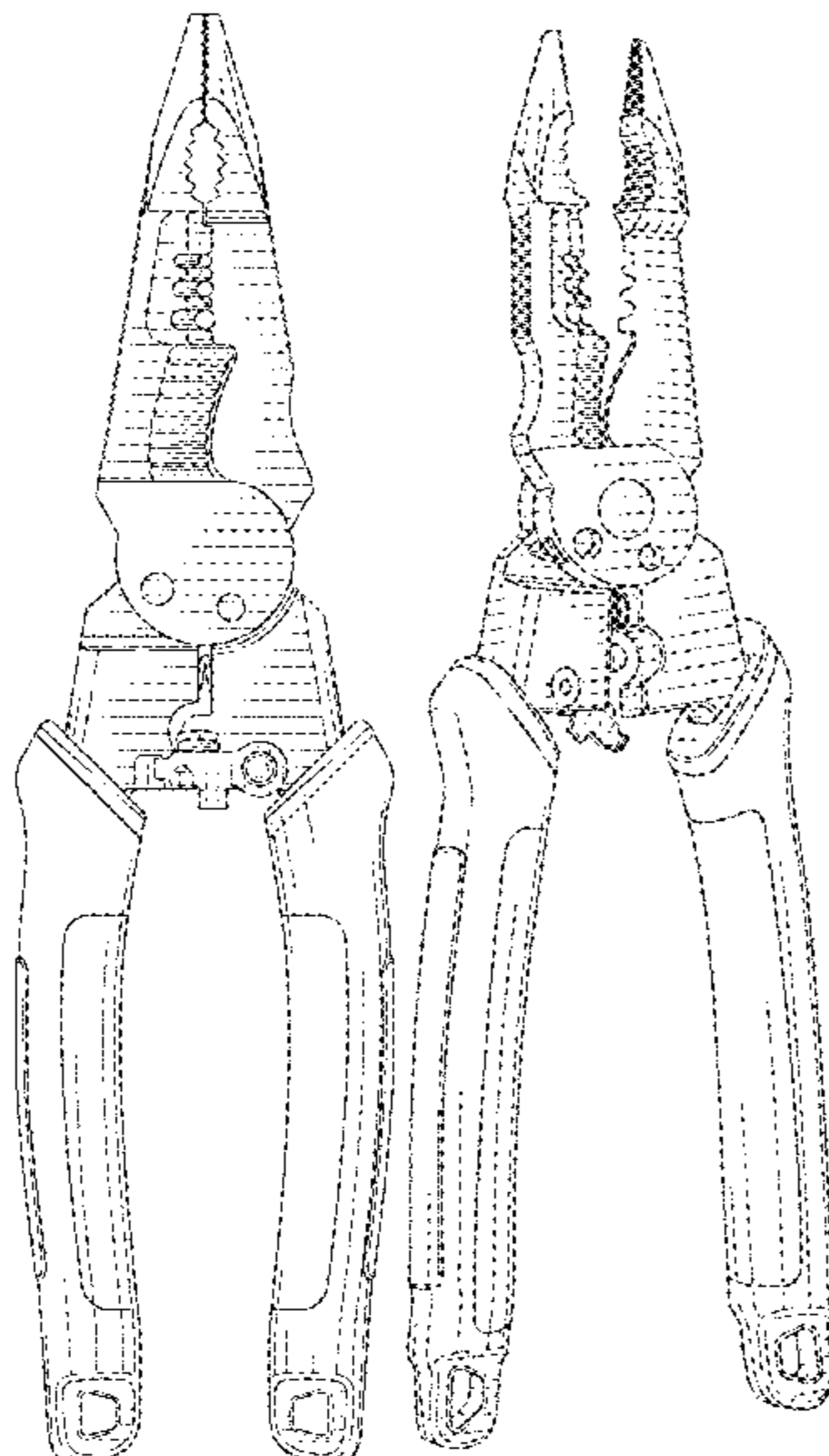
FIG. 5 is a right side view of the wire stripper shown in FIG. 1.

FIG. 6 is a top view of the wire stripper shown in FIG. 1. FIG. 7 is a bottom view of the wire stripper shown in FIG. 1; and,

FIG. 8 is a back side perspective view of the wire stripper shown in FIG. 1.

The broken lines are included for the purpose of illustrating an environment, and form no part of the claimed design. The inventor anticipates that the invention can be any part, portion, element, or combination of elements of the depicted design.

1 Claim, 4 Drawing Sheets



(56)

References Cited

U.S. PATENT DOCUMENTS

6,782,778	B2	8/2004	Watson	
6,848,139	B2	2/2005	Simon et al.	
7,055,414	B2	6/2006	Konen	
D623,498	S	9/2010	Wong	
D653,093	S	1/2012	Hedrick et al.	
8,176,814	B1	5/2012	Bernstein et al.	
8,667,874	B2	3/2014	Steele et al.	
9,126,344	B2	9/2015	Grisoni	
9,415,485	B2	8/2016	Steele et al.	
D801,771	S *	11/2017	Wu	D8/52
D817,132	S *	5/2018	Yang	D8/55
D827,403	S *	9/2018	Fritz	D8/52
11,027,399	B2 *	6/2021	Hoppe	B25B 7/22
D948,977	S *	4/2022	Cai	D8/55
D950,336	S *	5/2022	Chen	D8/55
2004/0118251	A1	6/2004	Wilson et al.	
2005/0044715	A1	3/2005	Shutts et al.	
2005/0188468	A1 *	9/2005	Crawford	B25F 1/003 7/107
2009/0178518	A1 *	7/2009	Buchanan	B25B 7/123 81/324

* cited by examiner

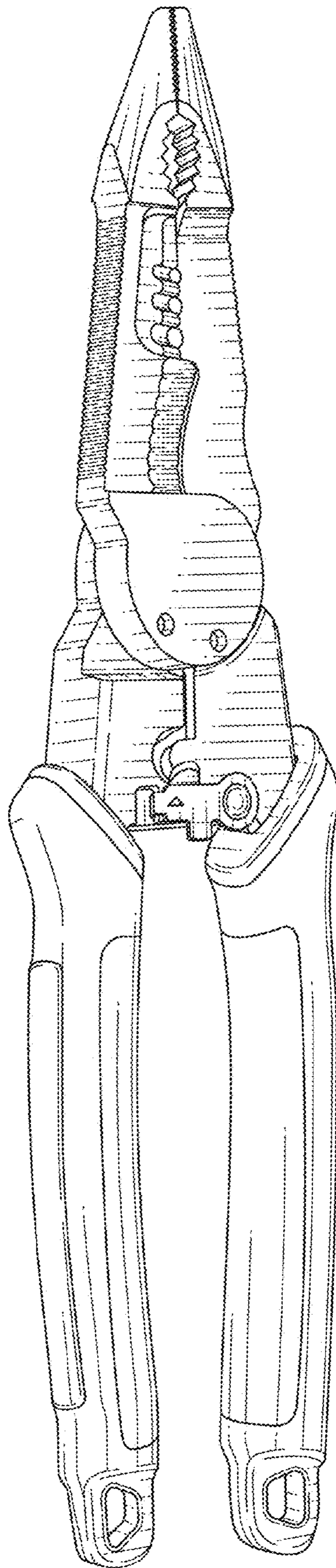


FIG. 1

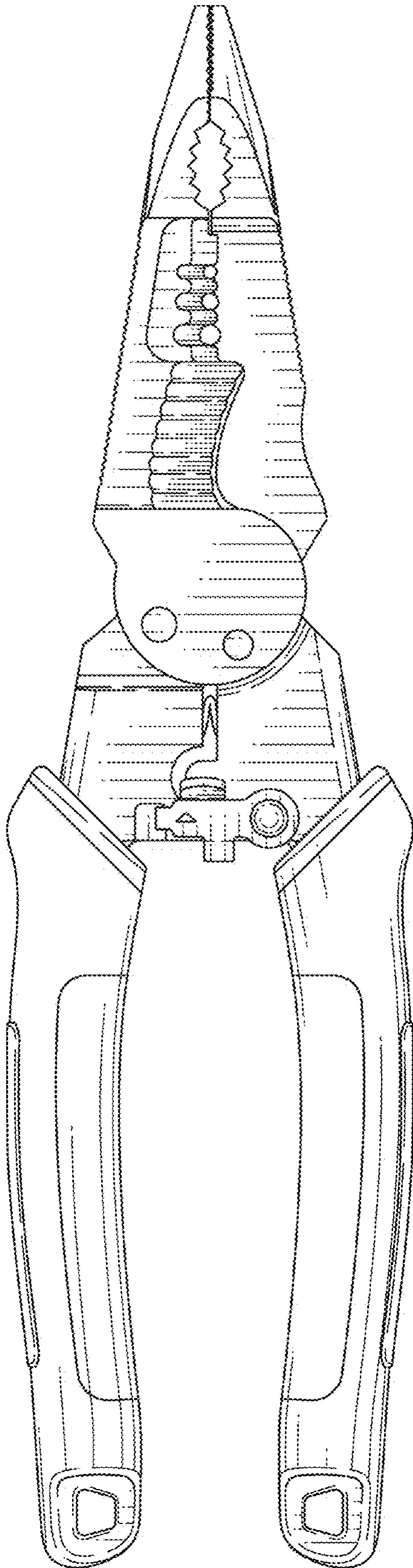


FIG. 2

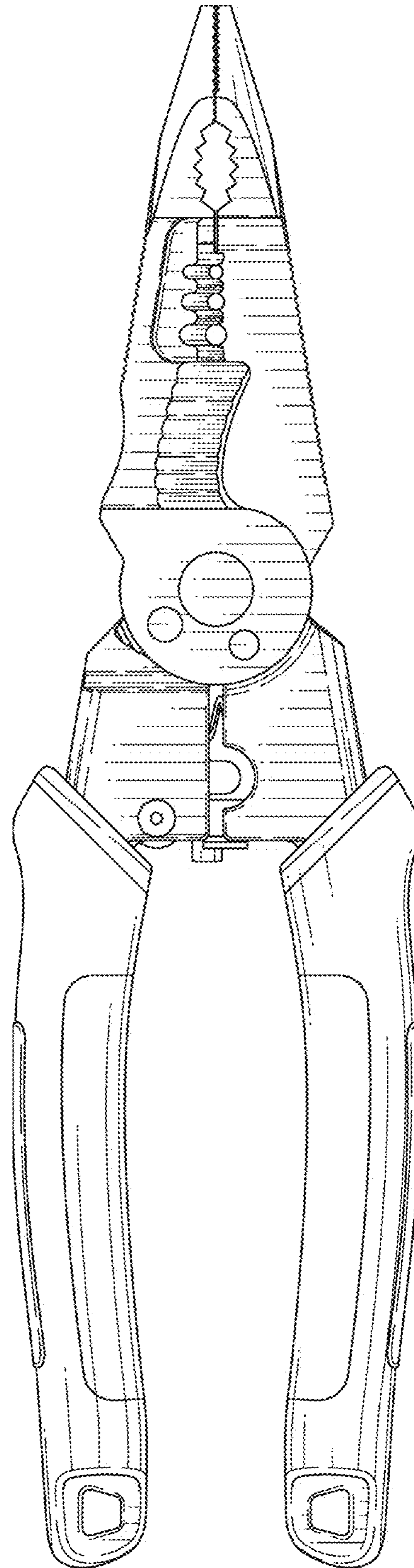


FIG. 3

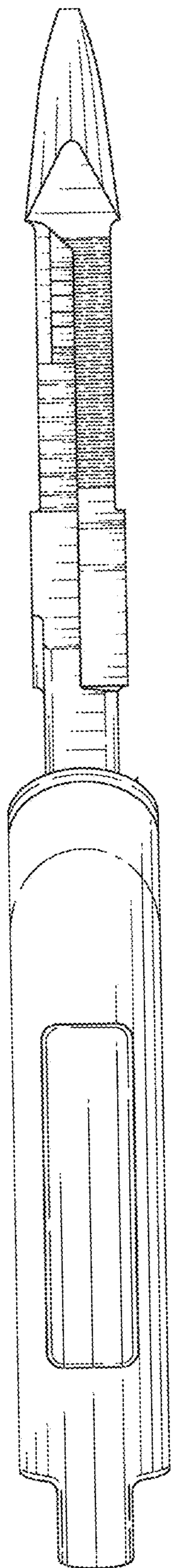


FIG. 4

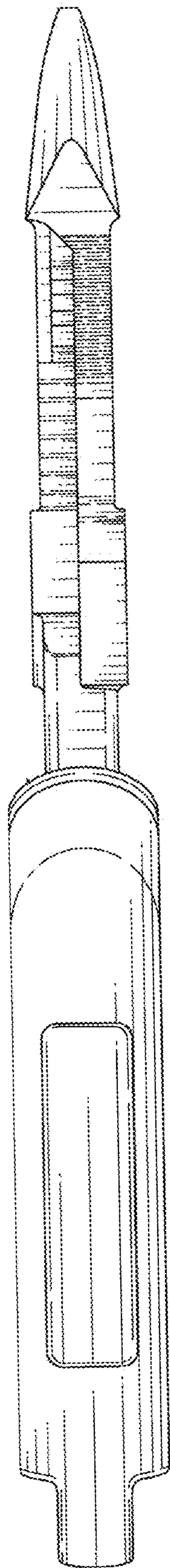


FIG. 5

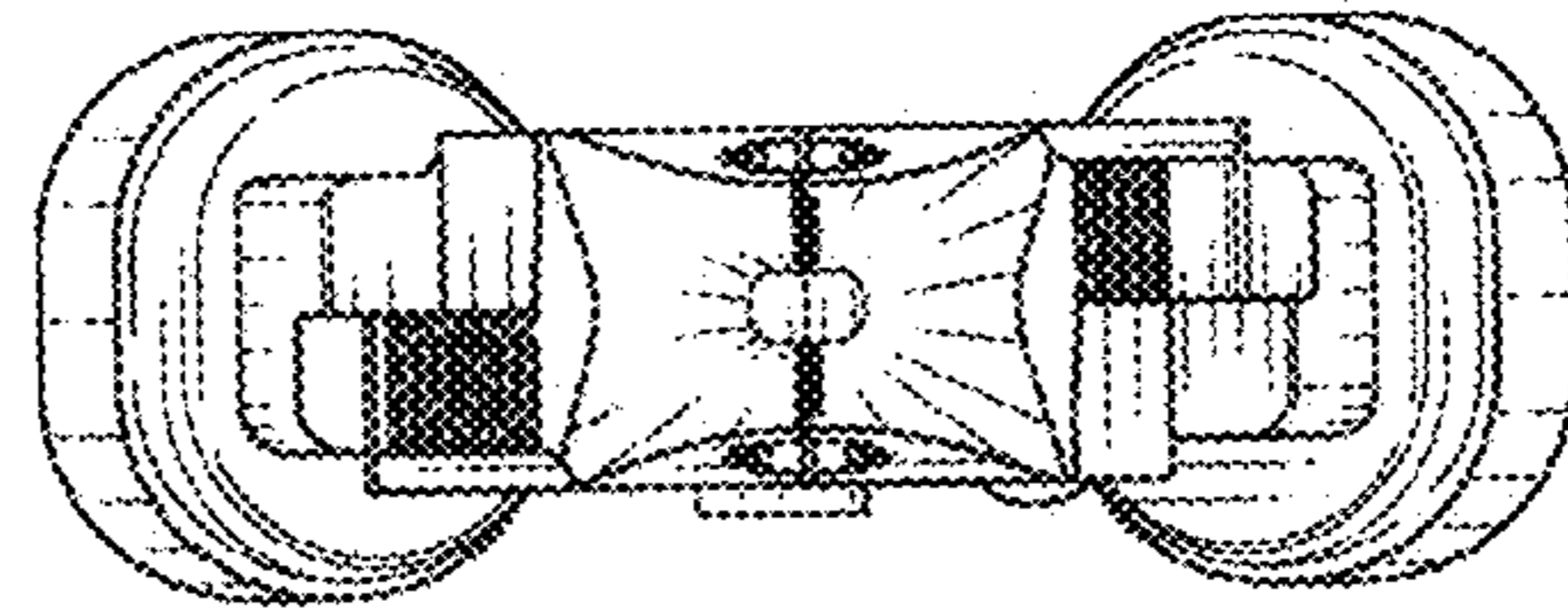


FIG. 6

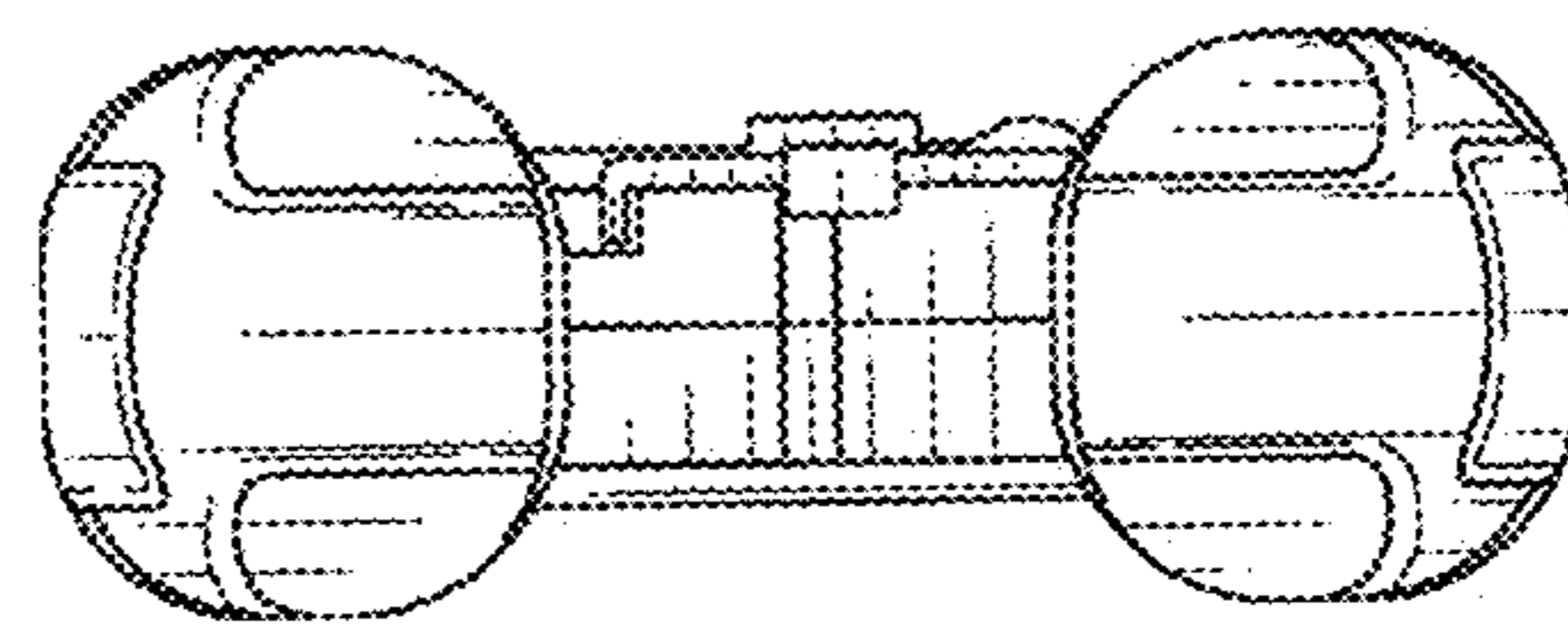


FIG. 7

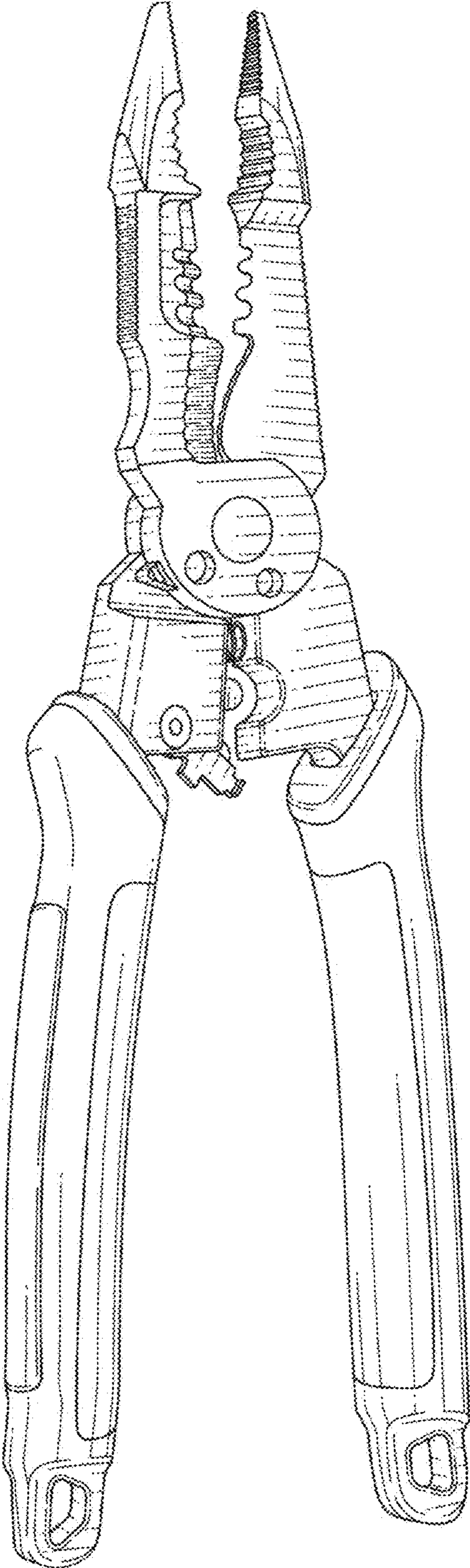


FIG. 8