

US00D969580S

(12) **United States Design Patent** (10) **Patent No.:** **US D969,580 S**
Evans (45) **Date of Patent:** **** Nov. 15, 2022**

(54) **ERGONOMIC WELDING HANDLE**

(71) Applicant: **Jonathan Evans**, Charlotte, NC (US)

(72) Inventor: **Jonathan Evans**, Charlotte, NC (US)

(**) Term: **15 Years**

(21) Appl. No.: **29/765,806**

(22) Filed: **Jan. 12, 2021**

(51) **LOC (13) Cl.** **08-05**

(52) **U.S. Cl.**
USPC **D8/30**

(58) **Field of Classification Search**
USPC D8/30, 107; D15/144
CPC ... B23K 9/10; B23K 9/24; B23K 9/28; B23K 9/29; B23K 9/32; B23K 9/123; B23K 9/173; B23K 9/287
See application file for complete search history.

(56) **References Cited**

U.S. PATENT DOCUMENTS

- 6,979,799 B2 * 12/2005 Centner B23K 9/10
200/332.2
- D532,432 S * 11/2006 Owens D8/107
- D535,166 S * 1/2007 Kensrue D8/30
- D537,092 S * 2/2007 Owens D8/107
- D555,446 S * 11/2007 Picaza Ibarondo D8/30
- D638,270 S * 5/2011 Flattinger D8/30
- D647,382 S * 10/2011 Flattinger D8/107
- D735,002 S * 7/2015 Bondy D8/30
- D752,403 S * 3/2016 Kindig D8/30
- D849,808 S * 5/2019 Assmann D8/107
- D875,799 S * 2/2020 Crowe D8/30
- D876,914 S * 3/2020 Mitterhumer D8/30
- D881,664 S * 4/2020 Vazquez D8/30
- D882,361 S * 4/2020 Calandreli Cruz D8/30

- D883,055 S * 5/2020 Vazquez D8/30
- D893,967 S * 8/2020 Vazquez D8/30
- D945,230 S * 3/2022 Hartel D8/30
- 2004/0020909 A1 * 2/2004 Bauer B23K 9/295
219/137.31
- 2006/0219683 A1 * 10/2006 Kensrue B23K 9/28
219/137.31
- 2006/0226135 A1 * 10/2006 Zamuner B23K 9/28
219/137.31
- 2007/0164006 A1 * 7/2007 Burgstaller B23K 9/0956
219/130.01
- 2009/0152254 A1 * 6/2009 Giese B23K 9/287
219/137.31
- 2010/0314374 A1 * 12/2010 Ma B23K 9/123
219/136
- 2011/0062131 A1 * 3/2011 Binzel B23K 9/1087
219/136
- 2015/0129572 A1 * 5/2015 Hassan B23K 9/173
219/137.62

* cited by examiner

Primary Examiner — Philip S Hyder

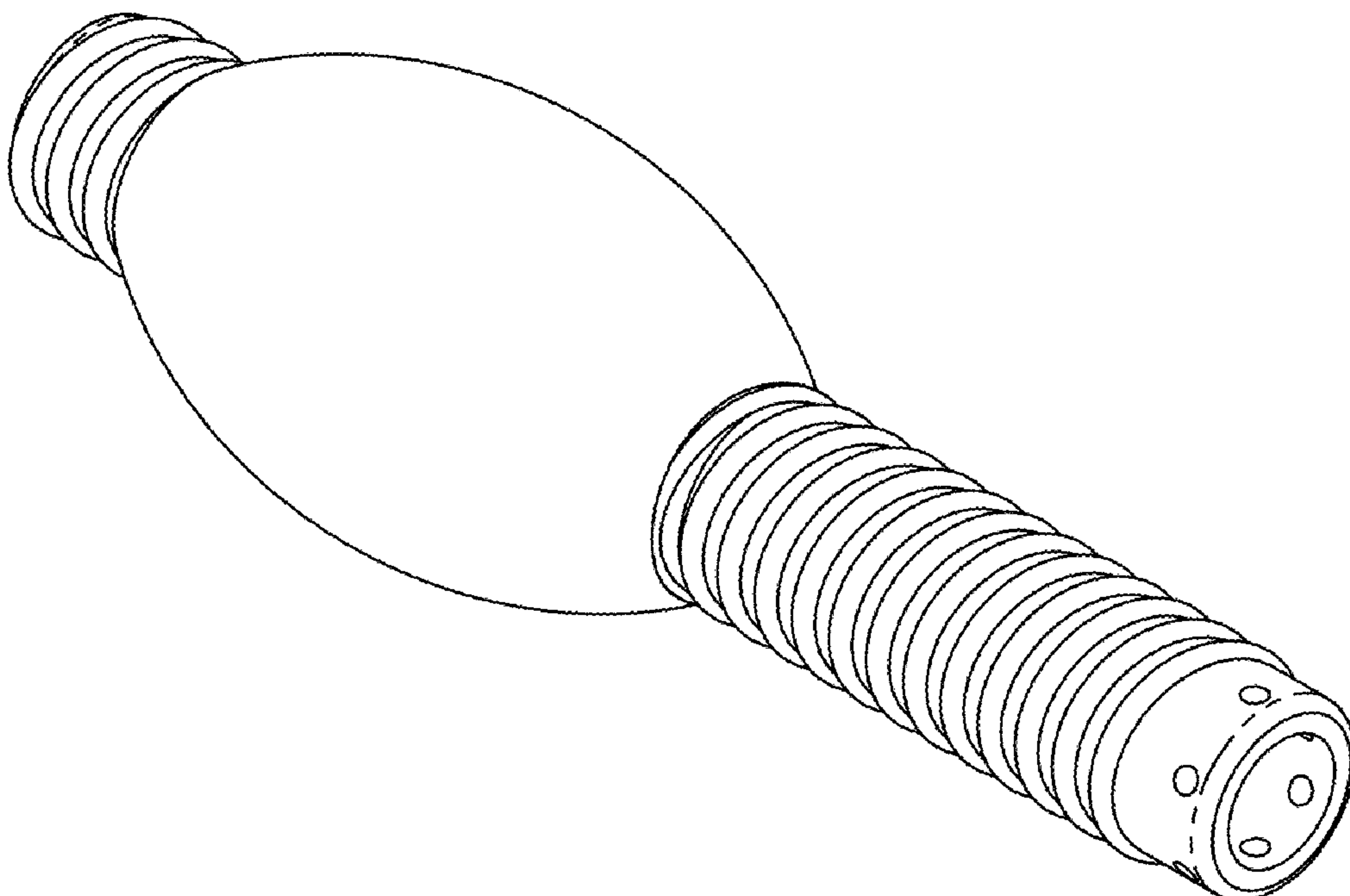
(57) **CLAIM**

I claim the ornamental design for an ergonomic welding handle, as shown and described.

DESCRIPTION

FIG. 1 is a perspective view of the ergonomic welding handle.
FIG. 2 is a front view of the claimed design.
FIG. 3 is a rear view of the claimed design.
FIG. 4 is a left side view of the claimed design.
FIG. 5 is a right side view of the claimed design.
FIG. 6 is a top view of the claimed design; and,
FIG. 7 is a bottom view of the claimed design.

1 Claim, 7 Drawing Sheets



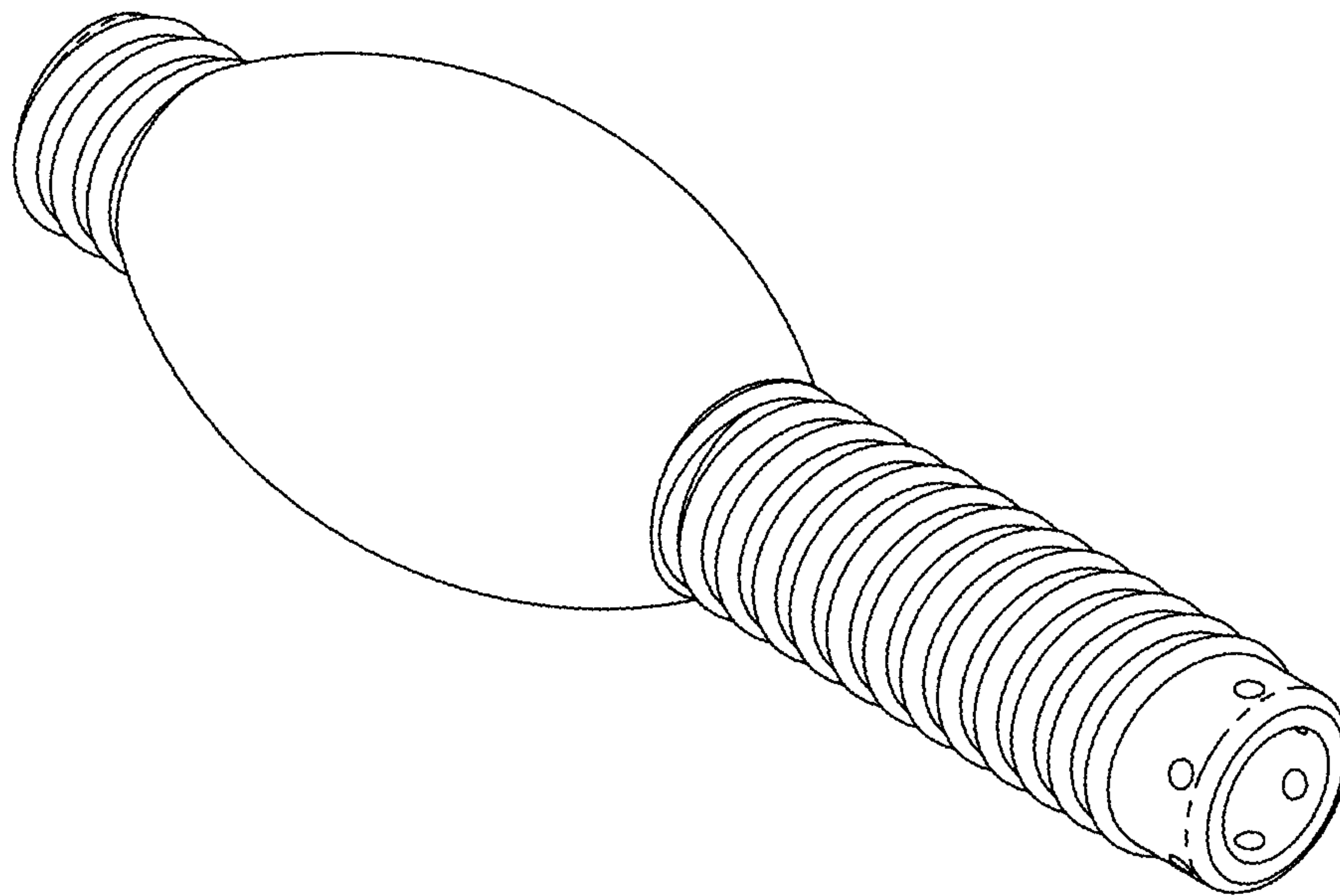


FIG. 1

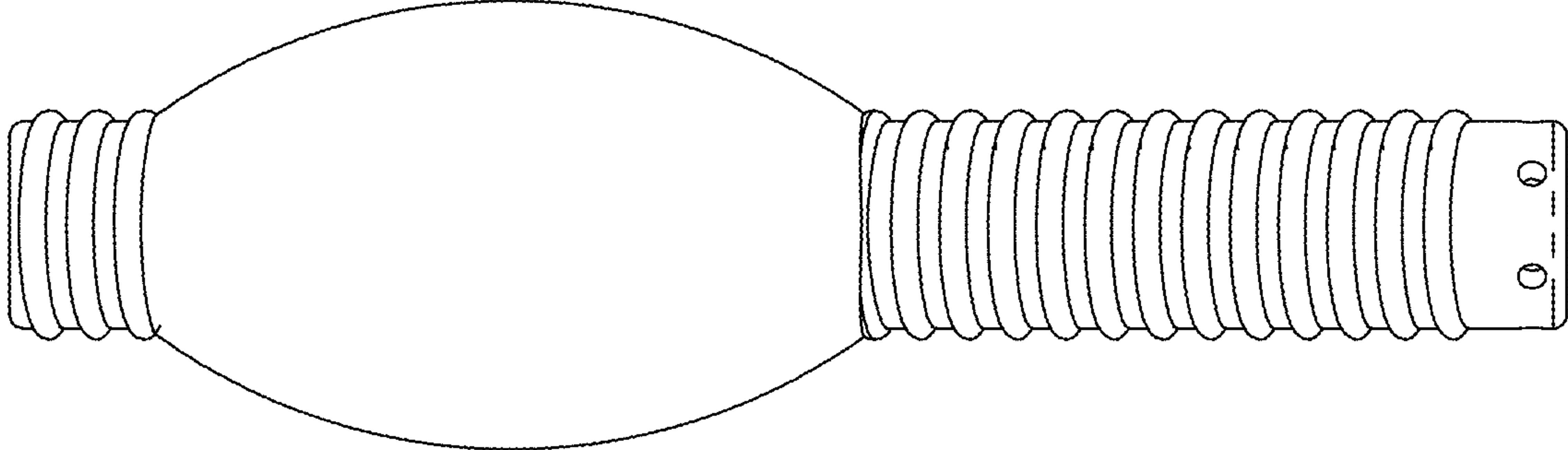


FIG. 2

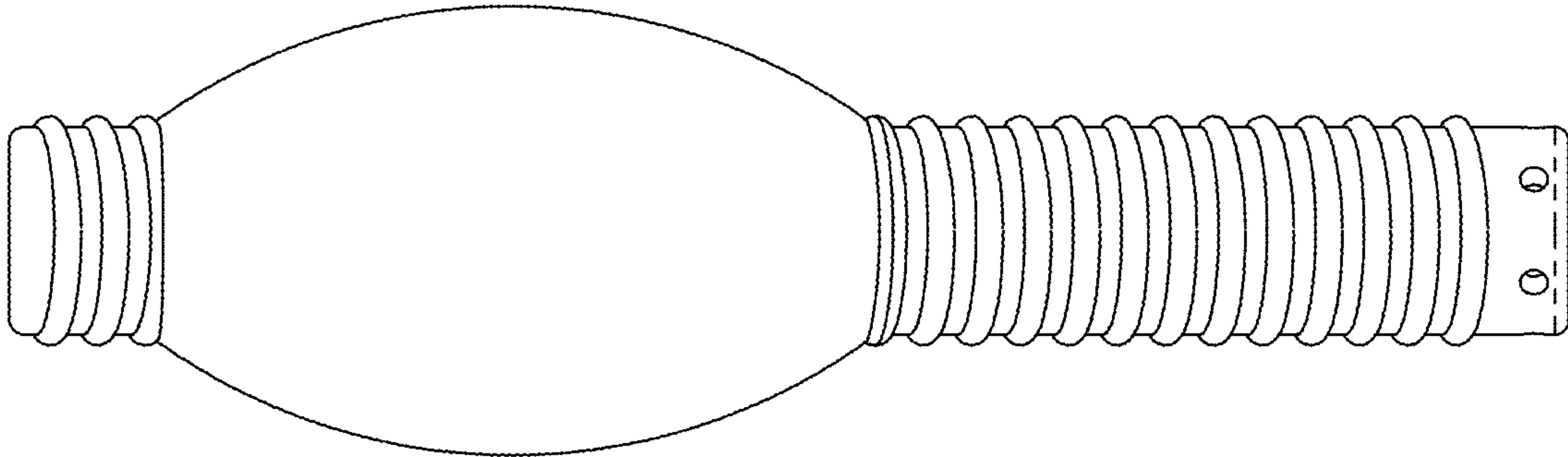


FIG. 3

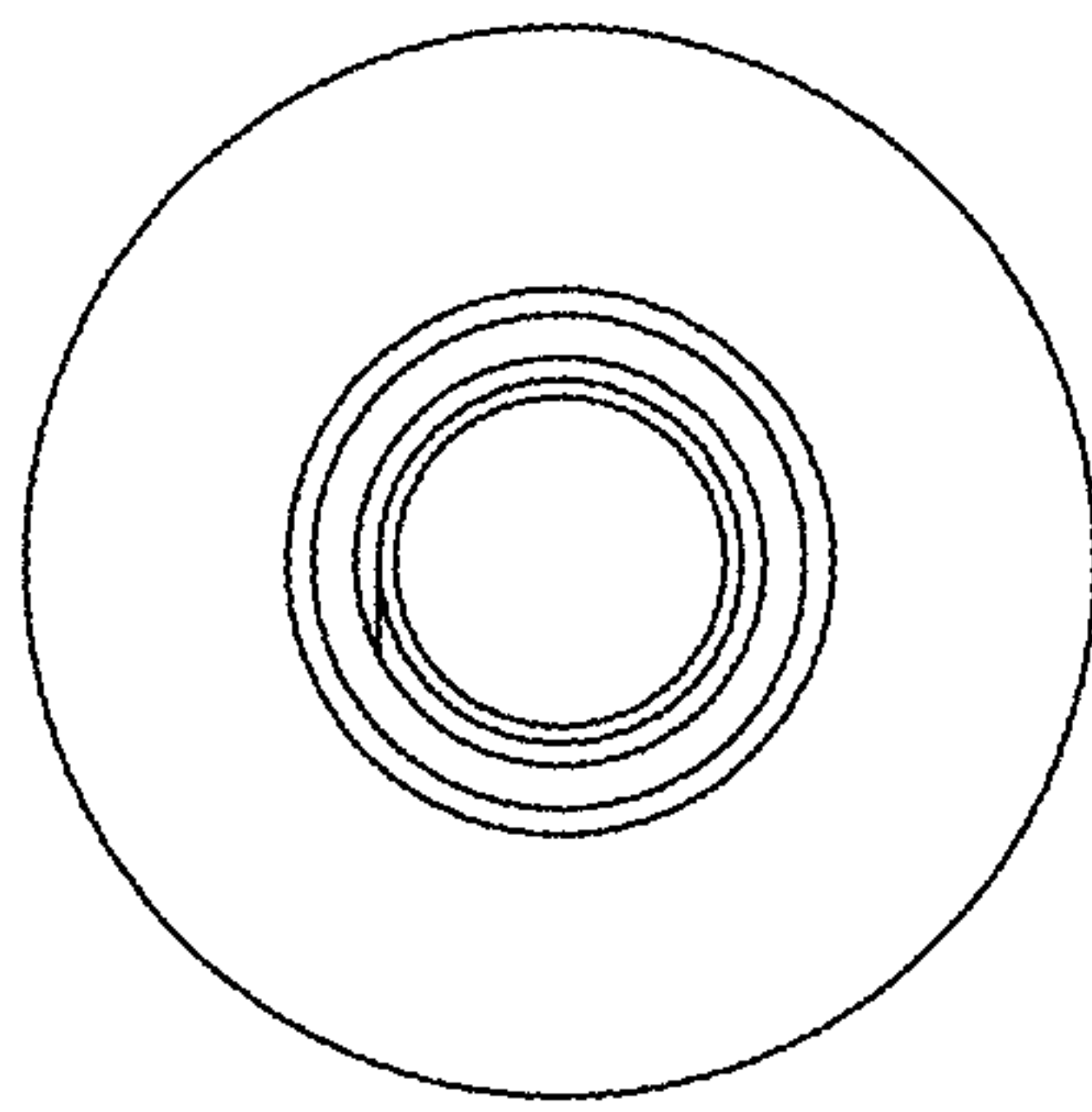


FIG. 4

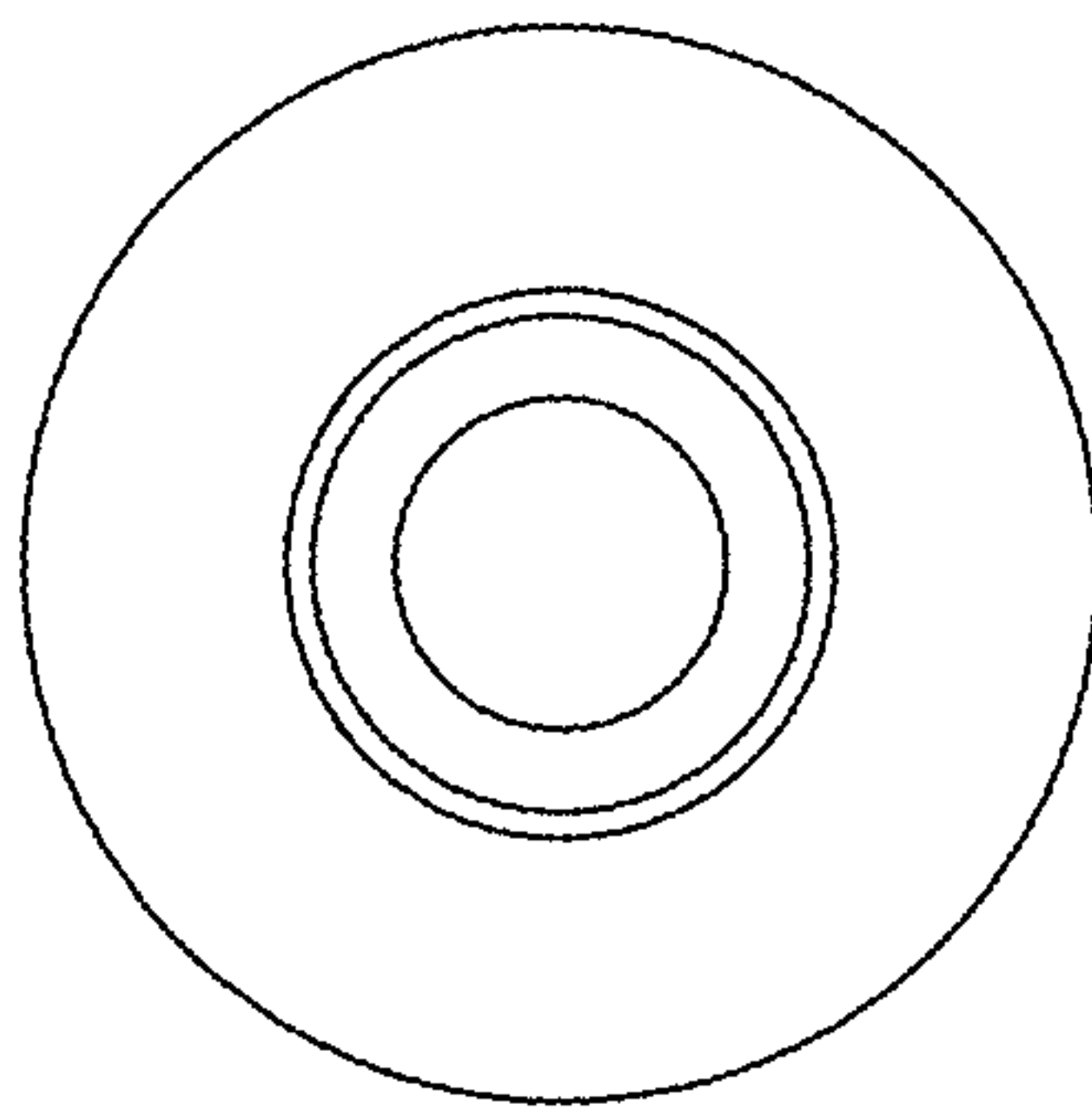


FIG. 5

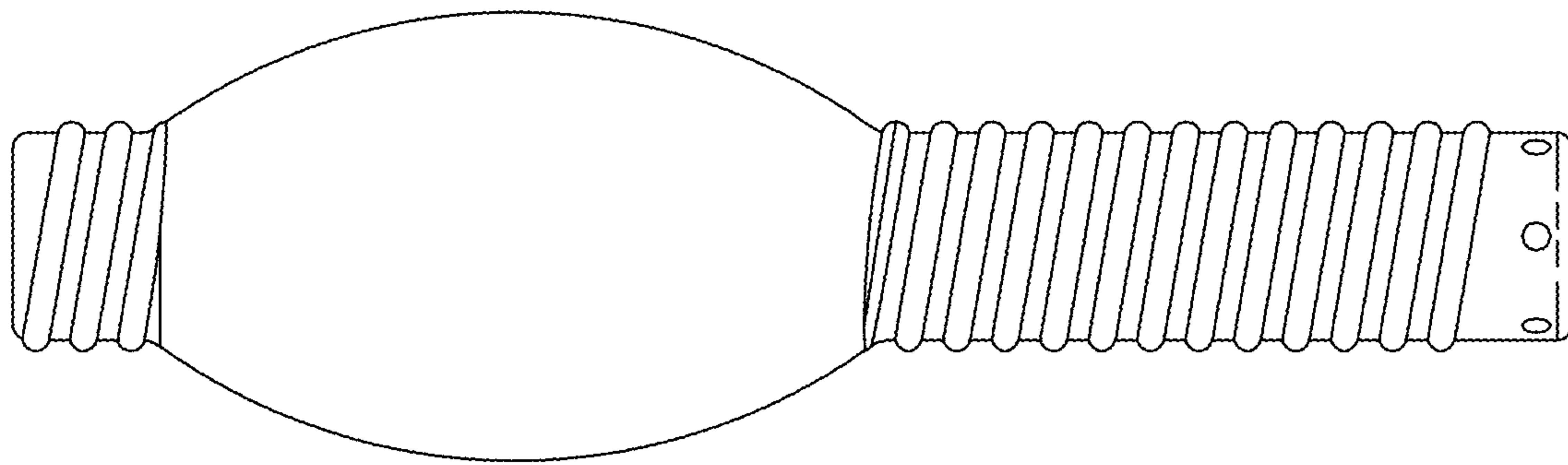


FIG. 6

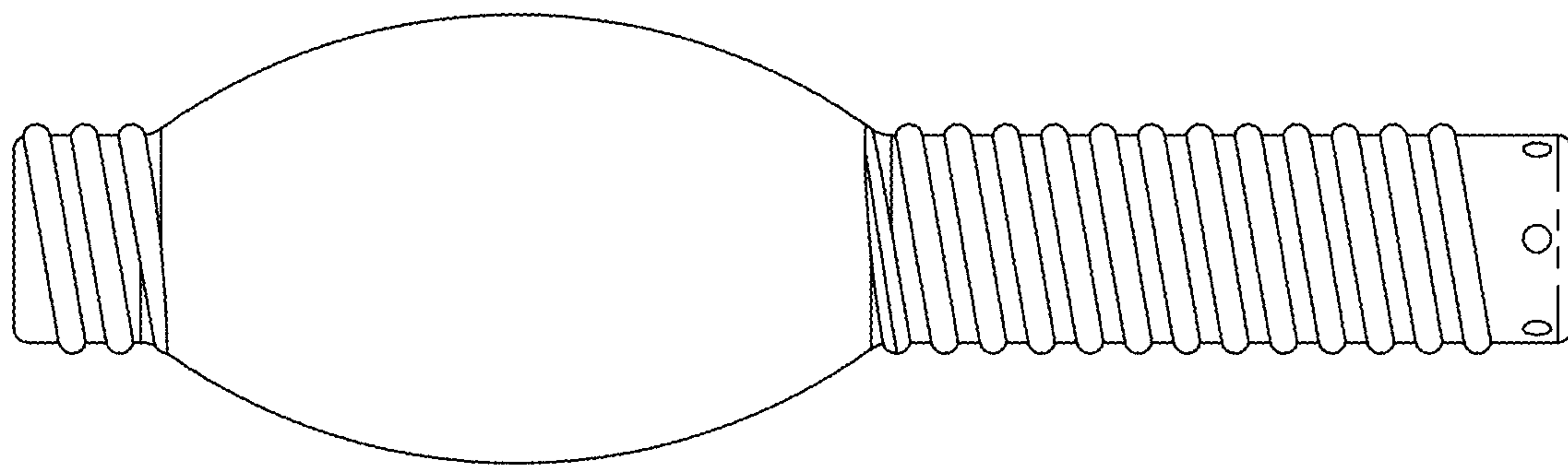


FIG. 7