



US00D969579S

(12) **United States Design Patent** (10) **Patent No.:** **US D969,579 S**
Dishman (45) **Date of Patent:** **** Nov. 15, 2022**

(54) **T-SHAPED MINI POST DRIVER**
(71) Applicant: **Larry Dishman**, Grand Island, NE (US)
(72) Inventor: **Larry Dishman**, Grand Island, NE (US)
(**) Term: **15 Years**
(21) Appl. No.: **29/778,408**
(22) Filed: **Apr. 13, 2021**

6,973,822 B1 12/2005 Sawyers
D587,548 S 3/2009 O'Toole
7,837,177 B2 11/2010 McNeill
7,980,323 B2 7/2011 Wilson
8,096,368 B1 1/2012 Rider
D676,494 S 2/2013 Bengyak
D829,517 S 10/2018 Coleman
D850,877 S 6/2019 Zhang
D877,580 S 3/2020 Dishman
2004/0026095 A1 2/2004 Kleinert
2007/0181320 A1 8/2007 Mason
2009/0090527 A1 4/2009 Wilson
2012/0111593 A1 2/2012 O'Toole
2012/0145425 A1 6/2012 Page
2018/0202188 A1 7/2018 Dishman

(Continued)

Related U.S. Application Data

(63) Continuation-in-part of application No. 29/721,309, filed on Jan. 20, 2020, now abandoned, which is a continuation-in-part of application No. 29/656,050, filed on Jul. 10, 2018, now Pat. No. Des. 877,580.
(51) **LOC (13) Cl.** **08-05**
(52) **U.S. Cl.**
USPC **D8/14**
(58) **Field of Classification Search**
USPC D8/14, 75, 88, 89, 107; D25/41.1
CPC E04H 17/261; E04H 17/263; E04H 17/26;
B25D 1/16
See application file for complete search history.

FOREIGN PATENT DOCUMENTS

FR 1188881 A 9/1959
GB 2183524 A 6/1987

Primary Examiner — Philip S Hyder

(57) **CLAIM**

The ornamental design for a T-shaped mini post driver, as shown and described.

DESCRIPTION

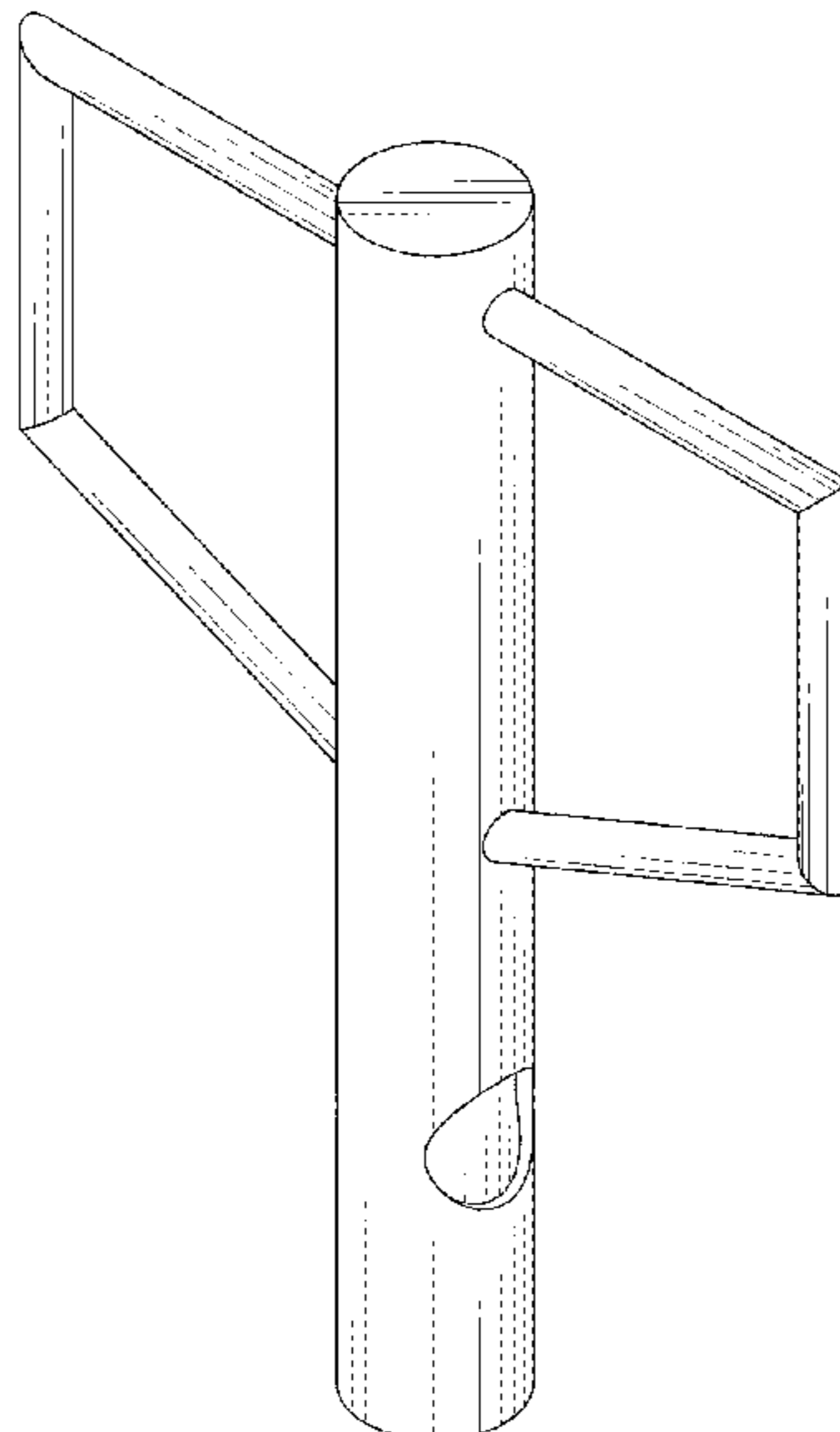
FIG. 1 is a top perspective view of a T-shaped mini post driver showing my new design;
FIG. 2 is a bottom perspective view thereof;
FIG. 3 is a front elevational view thereof;
FIG. 4 is a rear elevational view thereof;
FIG. 5 is a top plan view thereof;
FIG. 6 is a bottom plan view thereof;
FIG. 7 is a right elevational view thereof;
FIG. 8 is a left elevational view thereof;
FIG. 9 is a vertical cross-sectional view thereof taken in the direction of line 9-9 in FIG. 4; and,
FIG. 10 is a vertical cross-sectional view thereof taken in the direction of line 10-10 in FIG. 8.

1 Claim, 10 Drawing Sheets

(56) **References Cited**

U.S. PATENT DOCUMENTS

2,067,890 A 1/1937 Collord
2,098,146 A 11/1937 Hunt
2,690,055 A 9/1954 Lundgren
2,998,087 A 8/1961 Iddings
3,115,199 A 12/1963 Linabery
3,991,976 A 11/1976 Skinner
4,350,192 A 9/1982 Dent
4,971,479 A 11/1990 Byers et al.
5,029,651 A 7/1991 Ubbink
5,042,591 A 8/1991 Hull
5,495,878 A 3/1996 McKenen



(56)

References Cited

U.S. PATENT DOCUMENTS

2018/0258603 A1 9/2018 Zhang
2019/0119948 A1 4/2019 Dishman

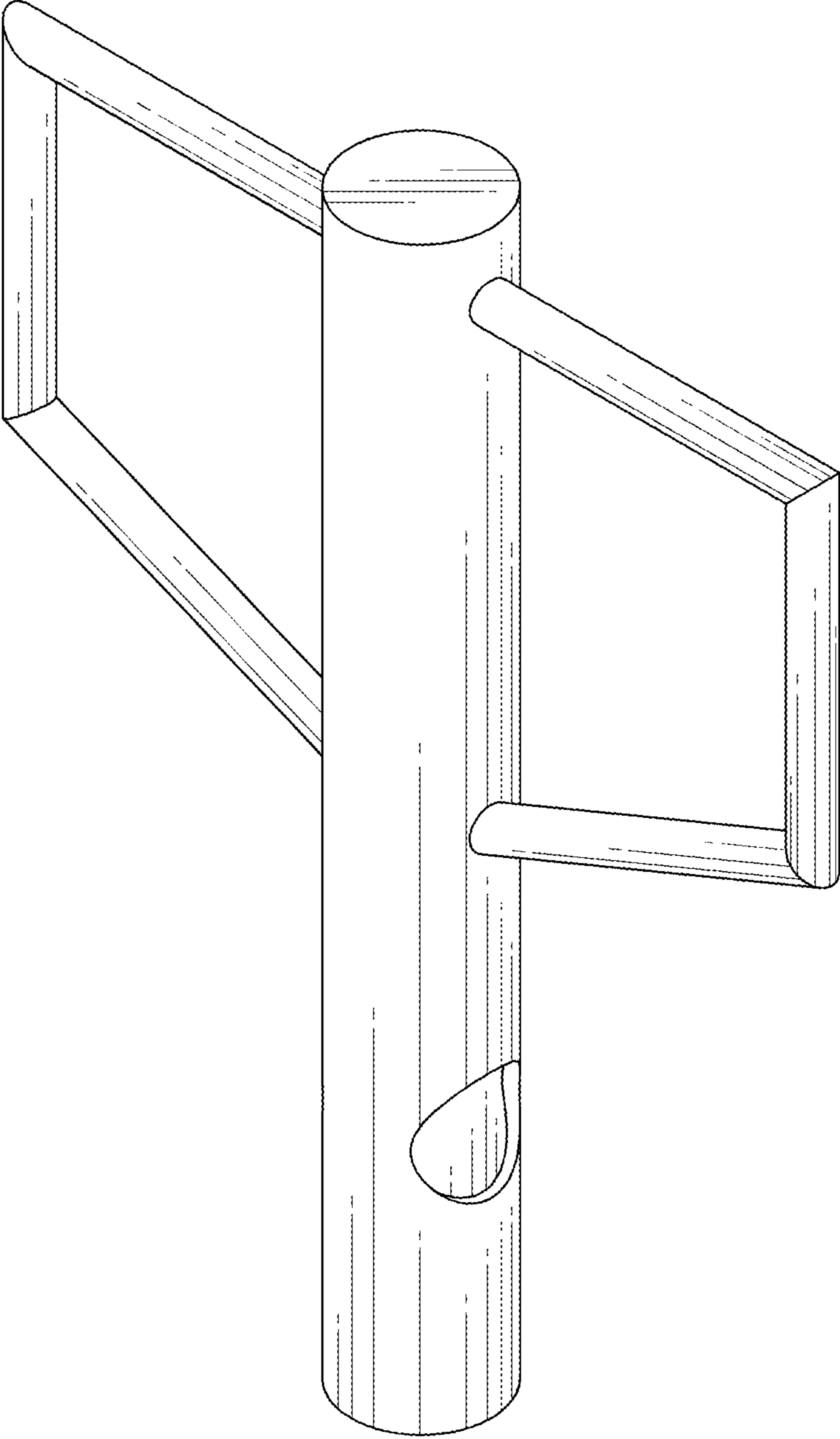


FIG. 1

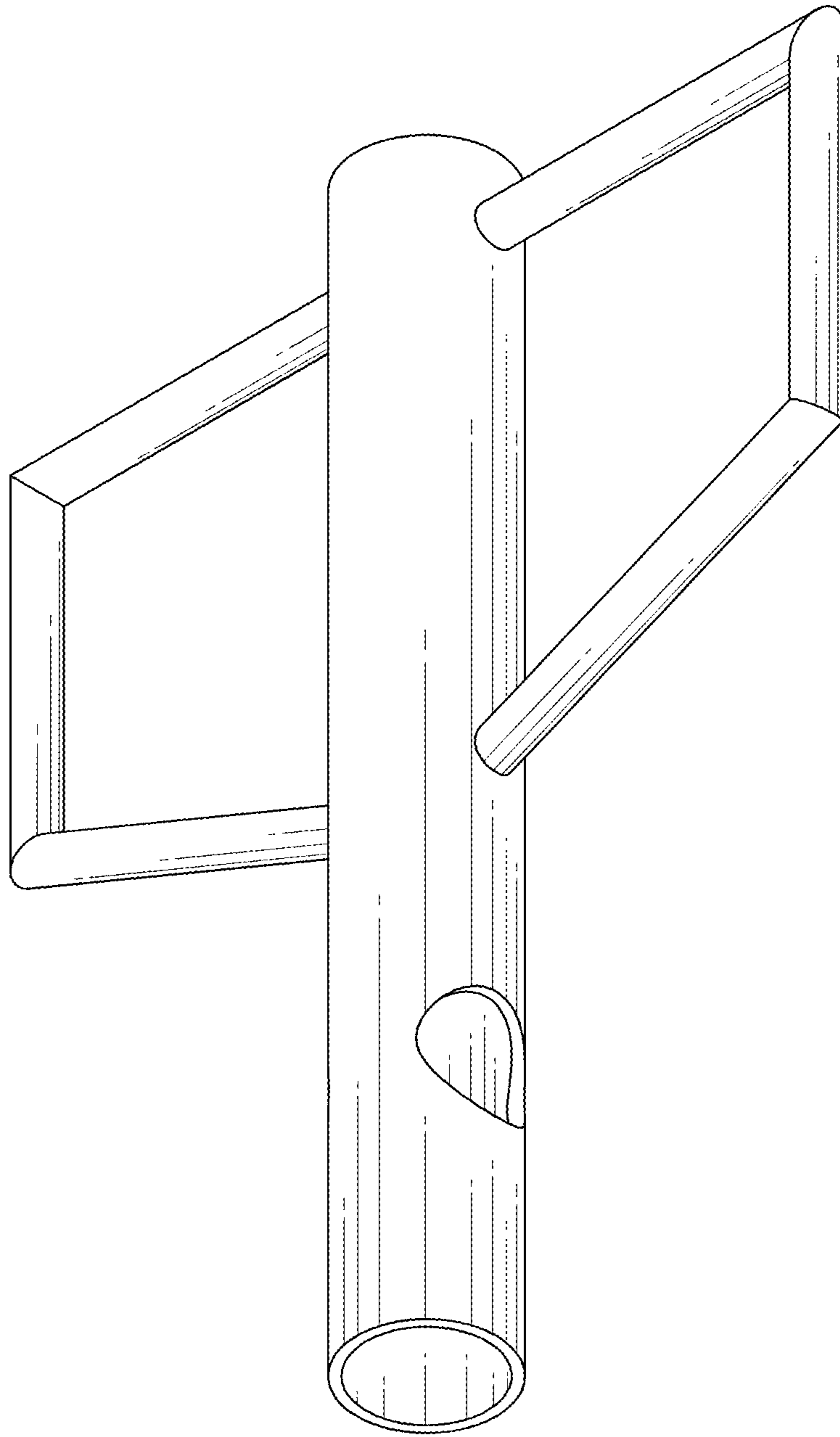


FIG. 2

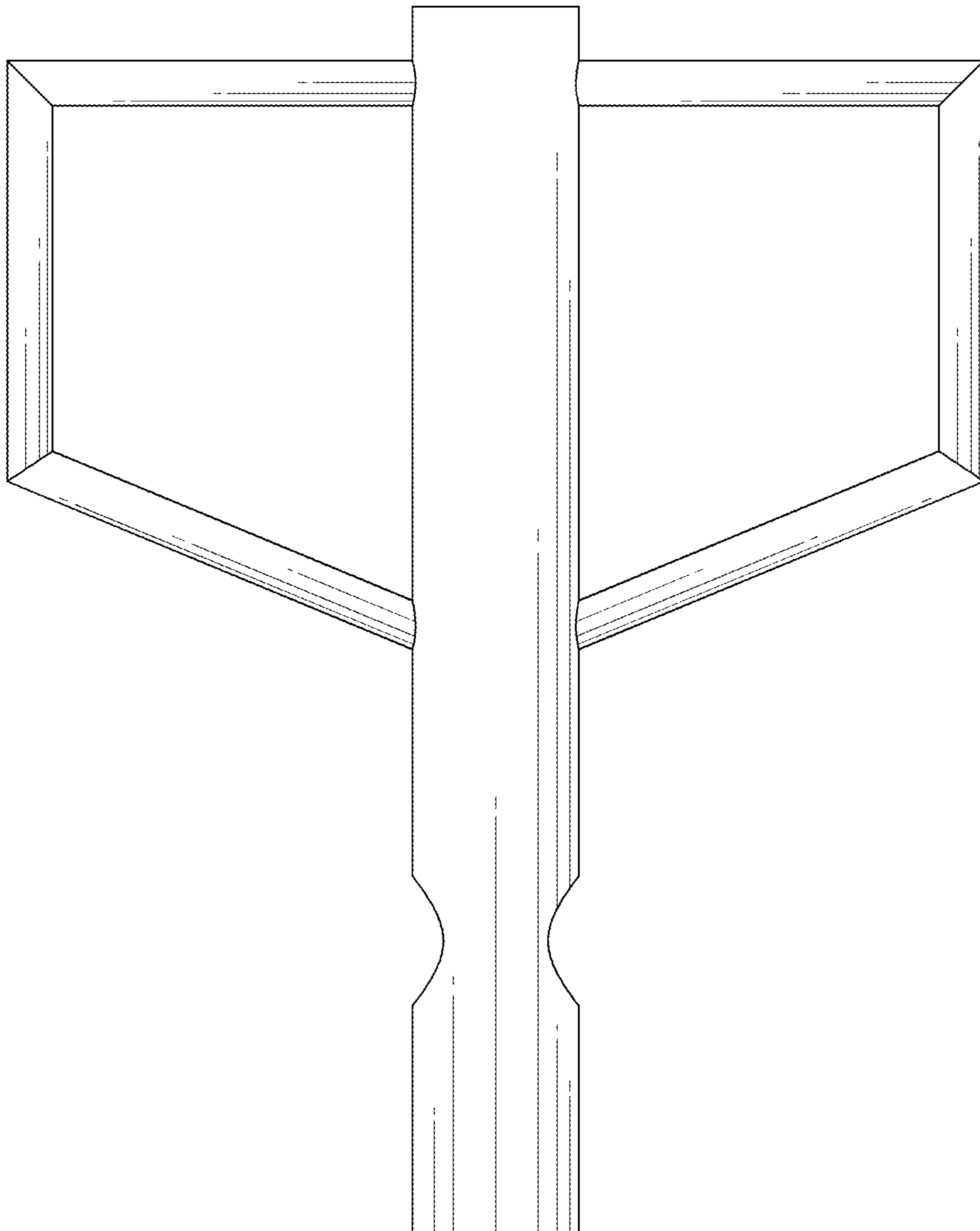


FIG. 3

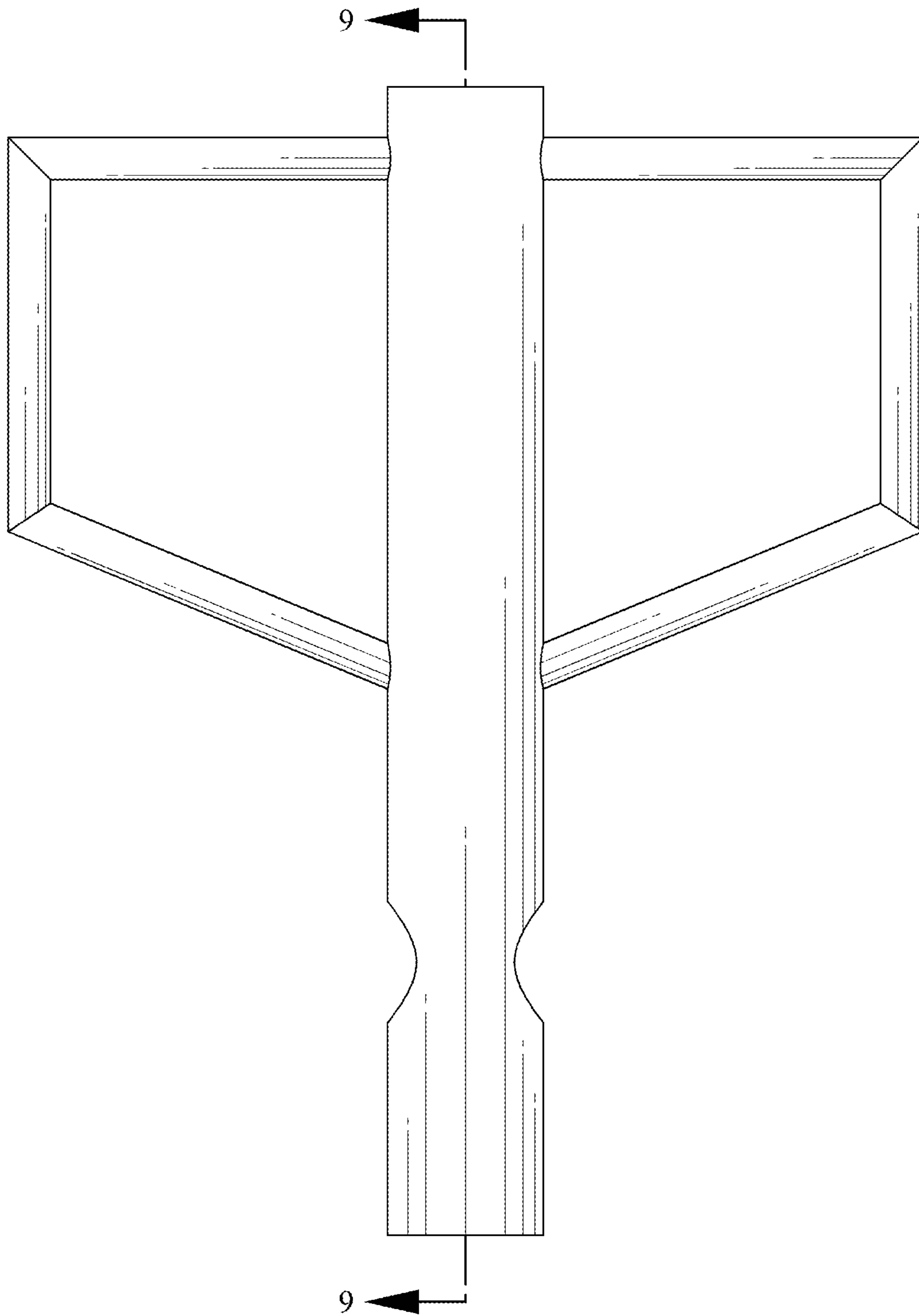


FIG. 4

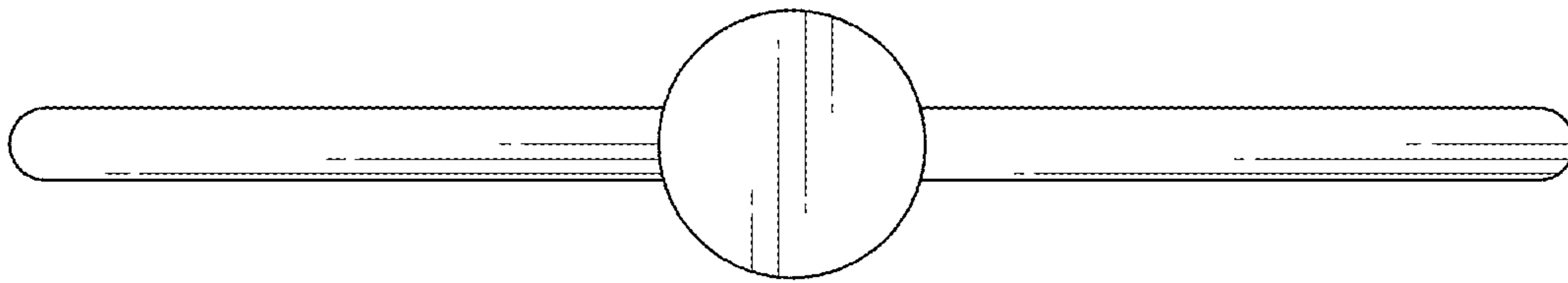


FIG. 5

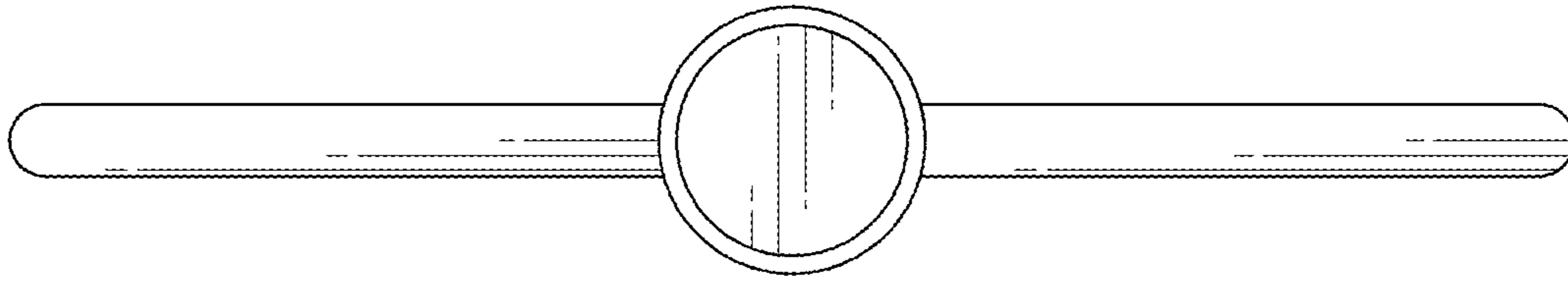


FIG. 6

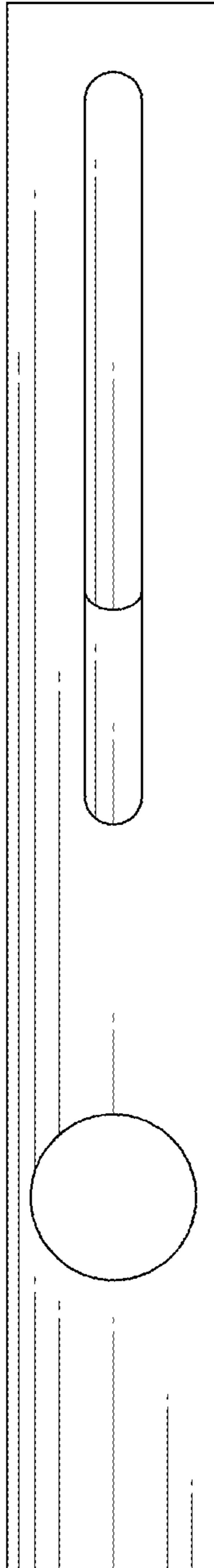


FIG. 7

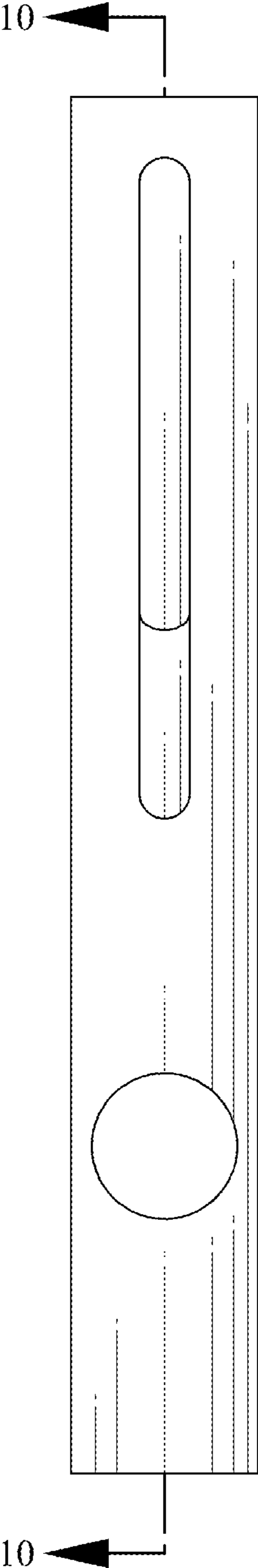


FIG. 8

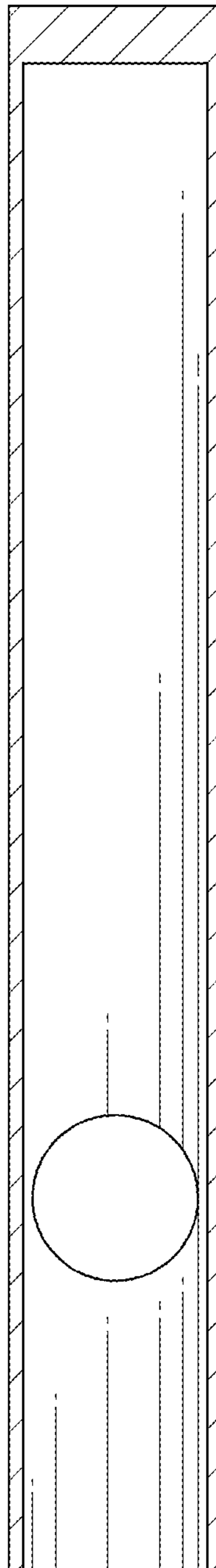


FIG. 9

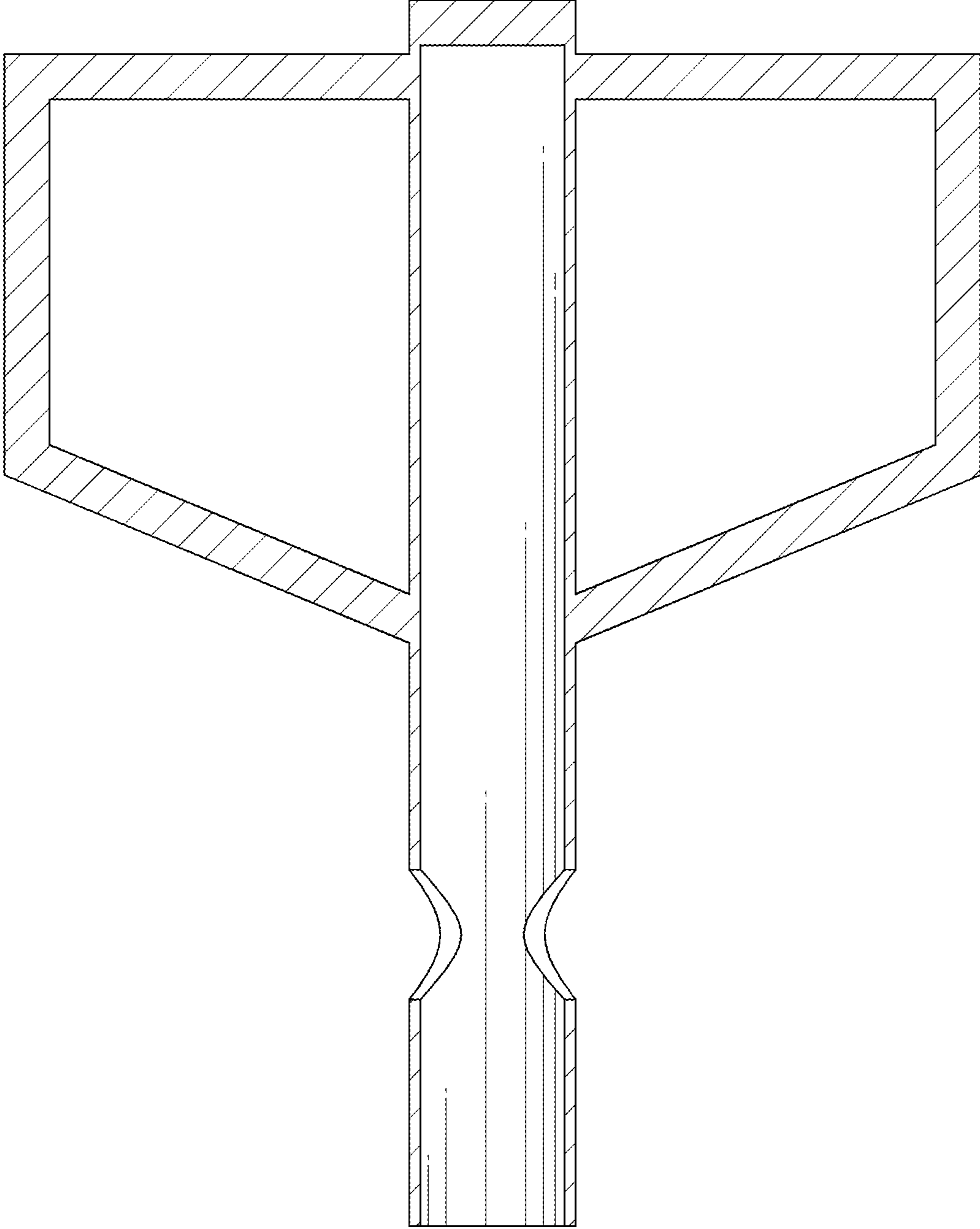


FIG. 10