

US00D969578S

(12) **United States Design Patent** (10) **Patent No.:** **US D969,578 S**  
**Tsai** (45) **Date of Patent:** **\*\* Nov. 15, 2022**

(54) **TOOL BIT**  
(71) Applicant: **Wen-Tang Tsai**, Taichung (TW)  
(72) Inventor: **Wen-Tang Tsai**, Taichung (TW)  
(\*\*) Term: **15 Years**  
(21) Appl. No.: **29/769,372**  
(22) Filed: **Feb. 4, 2021**  
(51) **LOC (13) Cl.** ..... **08-05**  
(52) **U.S. Cl.**  
USPC ..... **D8/14; D8/86**  
(58) **Field of Classification Search**  
USPC ..... **D8/14, 70, 76, 382, 397**  
CPC ..... **B60C 29/06**  
See application file for complete search history.

D609,999 S \* 2/2010 Andersson ..... D8/399  
D646,154 S \* 10/2011 Andersson ..... D8/397  
D679,988 S \* 4/2013 Yamazaki ..... D8/397  
D704,543 S \* 5/2014 Kuhmichel ..... D8/397  
D712,712 S \* 9/2014 Liu ..... D8/14  
D764,250 S \* 8/2016 Hsu ..... D8/86  
D800,544 S \* 10/2017 Schuit ..... D8/397  
9,802,449 B1 \* 10/2017 Lewellyn ..... B60C 29/068  
10,151,337 B2 \* 12/2018 Hill ..... F16B 21/00  
D865,823 S \* 11/2019 Abe ..... D15/139  
D907,475 S \* 1/2021 Williams ..... D8/397  
D924,045 S \* 7/2021 Savushkin ..... D8/397  
D932,292 S \* 10/2021 Holdcroft ..... D8/394  
D932,293 S \* 10/2021 Vuuren ..... D8/397  
2005/0098001 A1 \* 5/2005 Walker ..... G09F 3/00  
81/439

\* cited by examiner

*Primary Examiner* — Philip S Hyder

(57) **CLAIM**

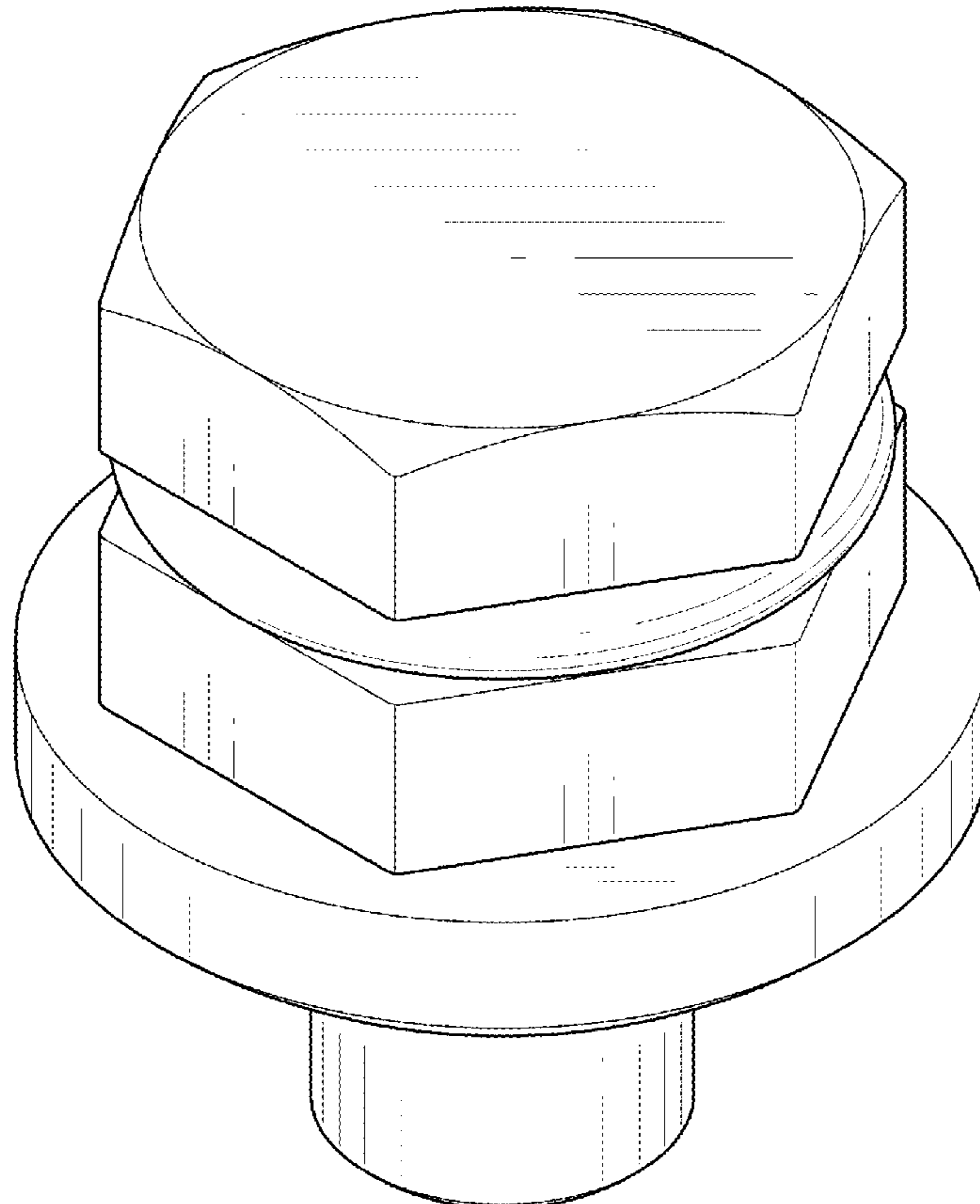
The ornamental design for a tool bit, as shown and described.

**DESCRIPTION**

FIG. 1 is a perspective view of a tool bit showing my new design;  
FIG. 2 is a front view and rear view thereof;  
FIG. 3 is a left view and right view thereof;  
FIG. 4 is a top view thereof; and,  
FIG. 5 is a bottom view thereof.

**1 Claim, 5 Drawing Sheets**

(56) **References Cited**  
U.S. PATENT DOCUMENTS  
1,392,231 A \* 9/1921 Shimada ..... B60C 29/00  
81/15.4  
1,484,977 A \* 2/1924 Warden ..... B60C 29/06  
81/15.4  
5,216,940 A \* 6/1993 Hedden ..... B25B 23/00  
81/177.85  
6,929,020 B1 \* 8/2005 Rogers ..... F16K 15/20  
137/232  
D512,886 S \* 12/2005 Christensen ..... D8/397  
D524,149 S \* 7/2006 Kim ..... D8/397



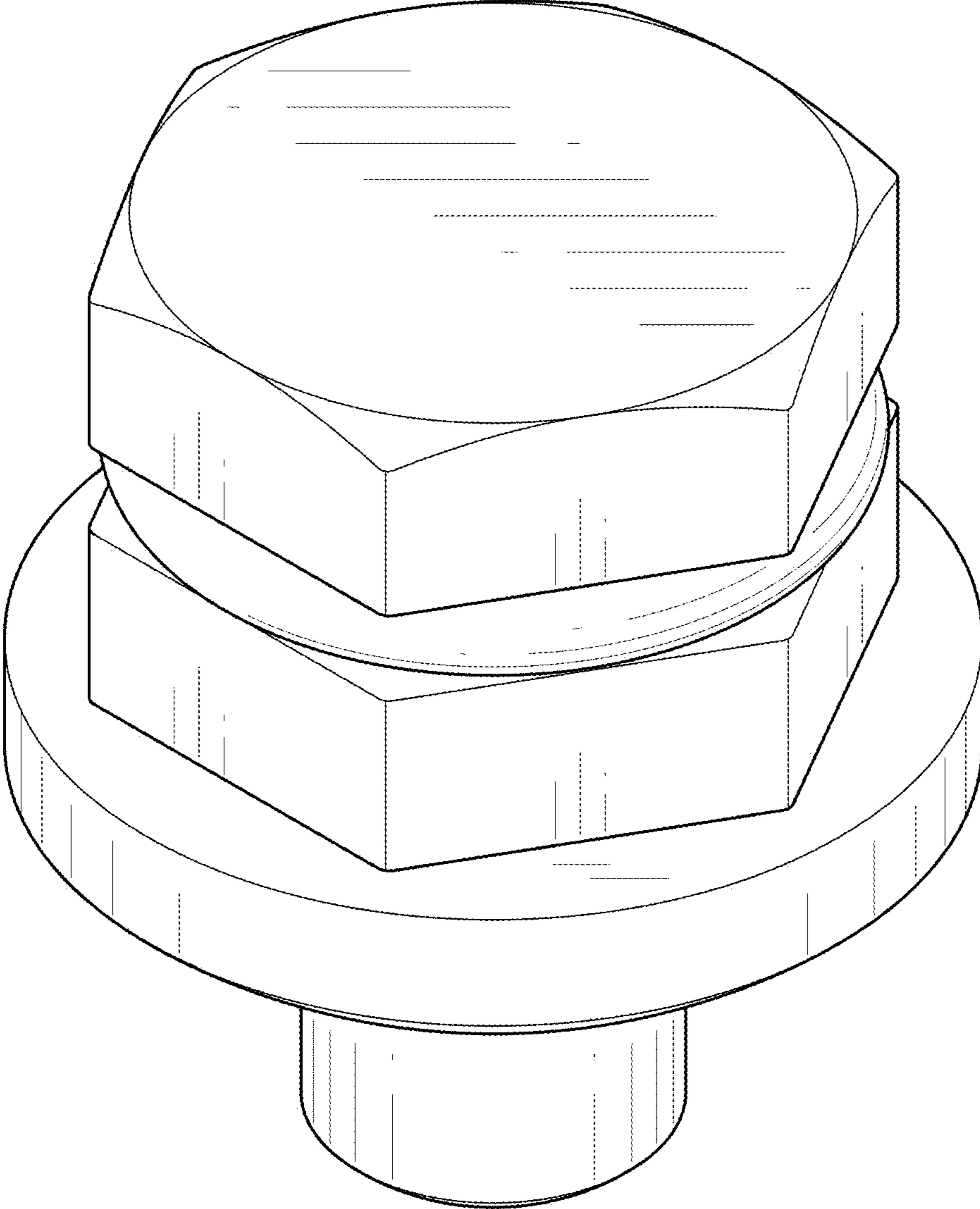


FIG.1

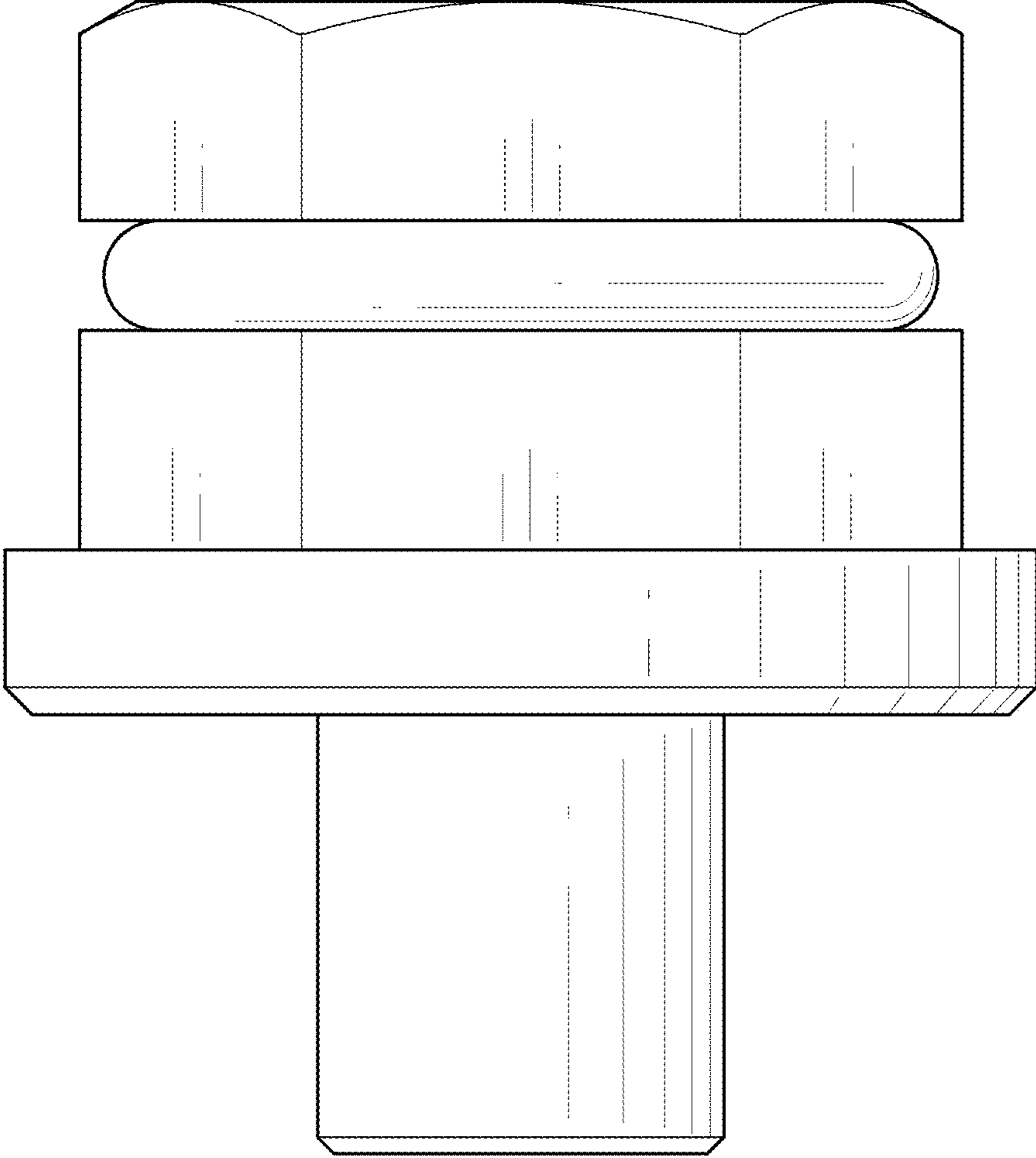


FIG.2

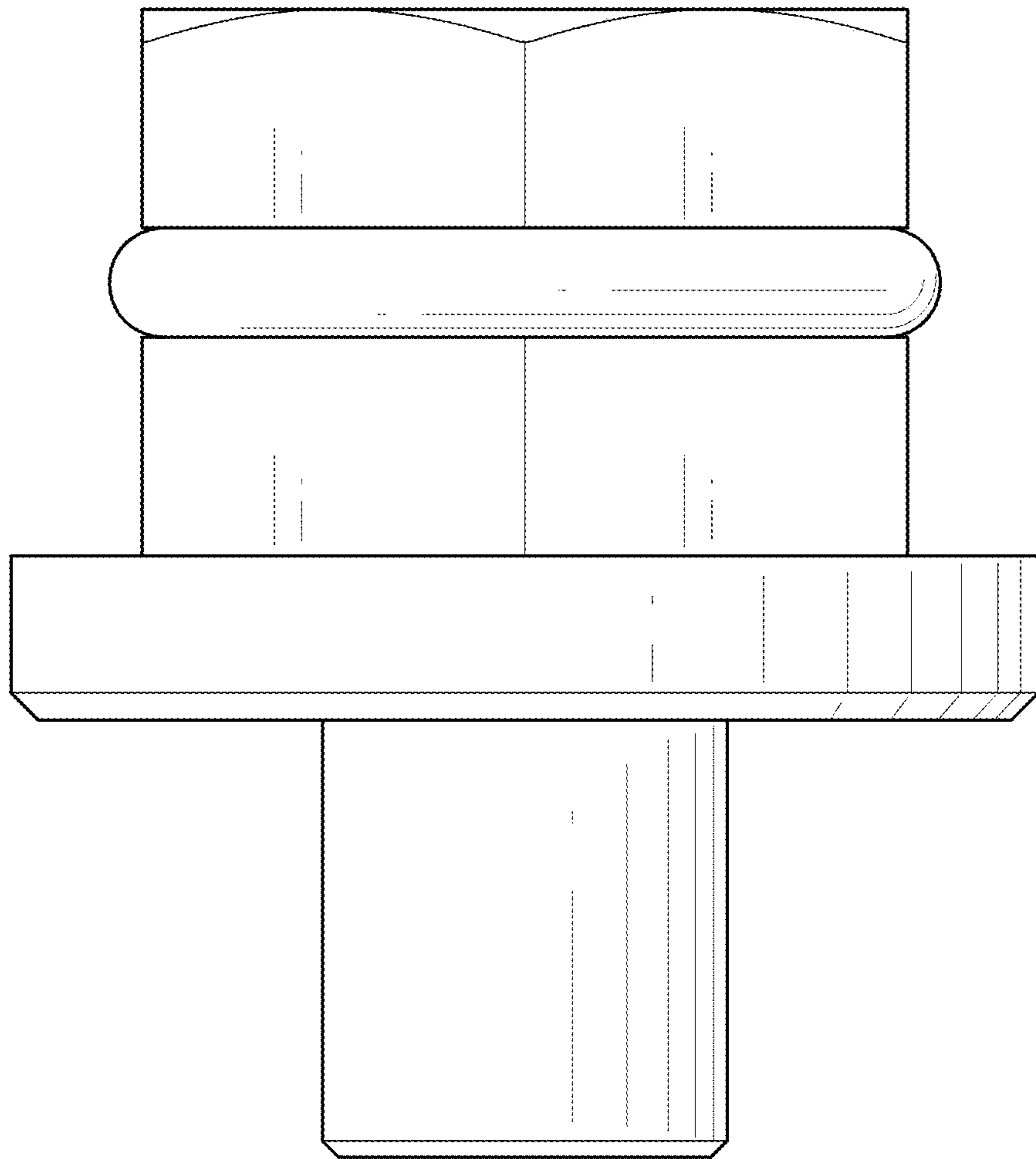


FIG.3

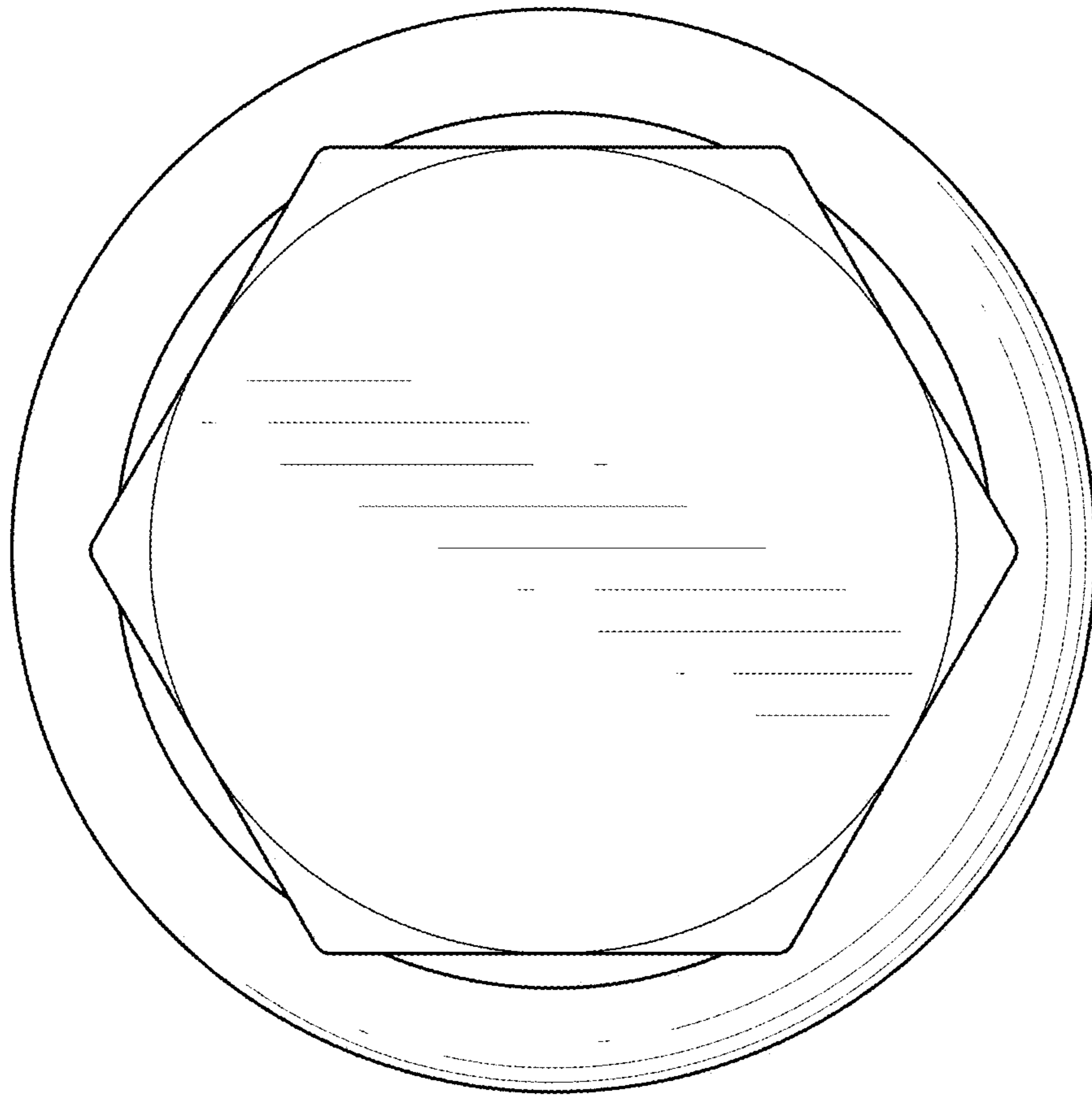


FIG.4

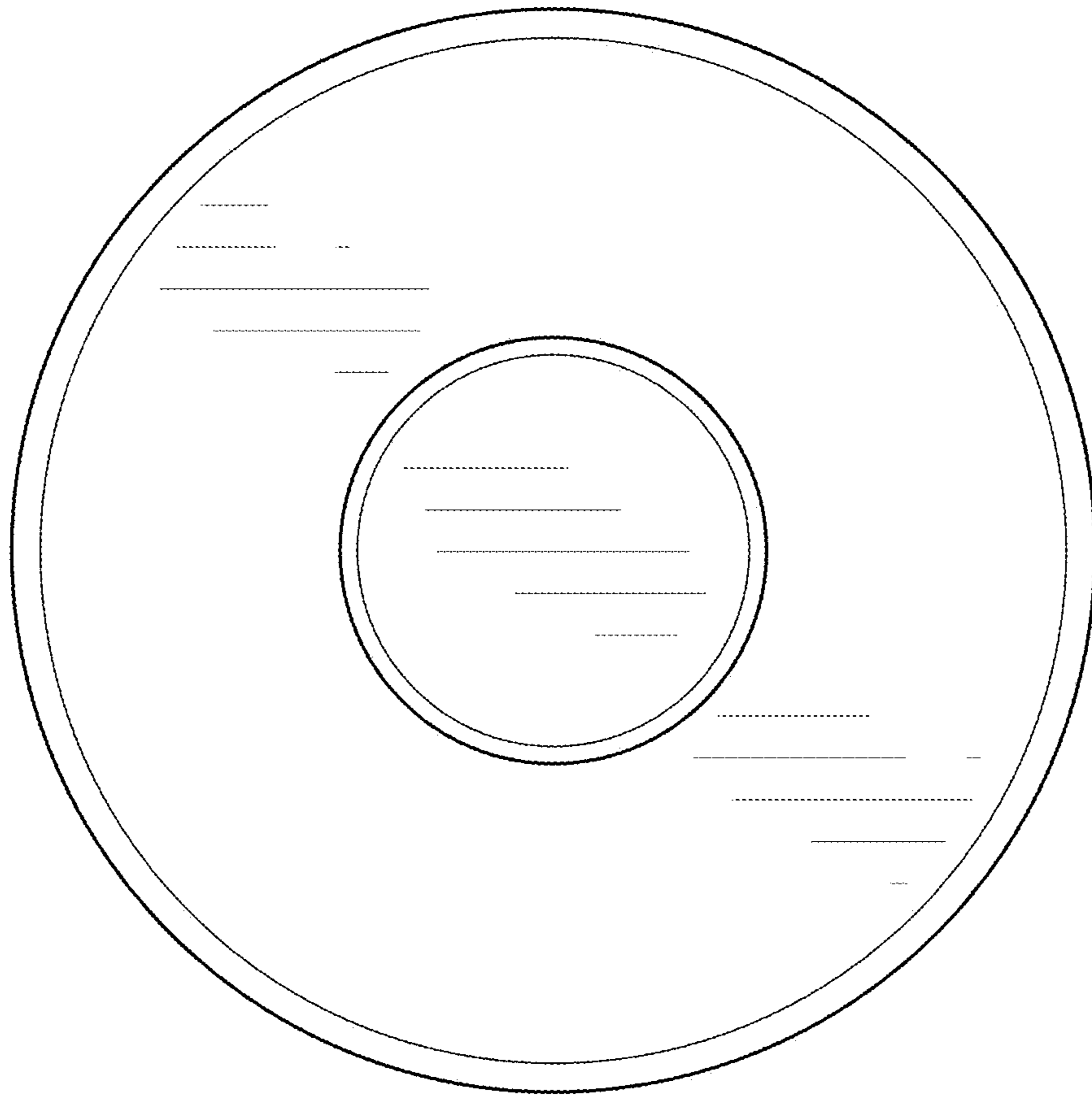


FIG.5