



US00D969577S

(12) **United States Design Patent**  
**Lyytikäinen et al.**

(10) **Patent No.:** **US D969,577 S**  
(45) **Date of Patent:** **\*\* Nov. 15, 2022**

- (54) **GARDENING TOOL**
- (71) Applicant: **Fiskars Finland Oy Ab**, Helsinki (FI)
- (72) Inventors: **Sami Lyytikäinen**, Helsinki (FI);  
**Mikko Kemppi**, Helsinki (FI)
- (73) Assignee: **FISKARS FINLAND OY AB**, Helsinki (FI)
- (\*\*) Term: **15 Years**
- (21) Appl. No.: **29/765,143**
- (22) Filed: **Jan. 6, 2021**

**Related U.S. Application Data**

- (62) Division of application No. 29/653,701, filed on Jun. 18, 2018, now Pat. No. Des. 921,471.

(30) **Foreign Application Priority Data**

Dec. 22, 2017 (EM) ..... 004561637

- (51) **LOC (13) Cl.** ..... **08-01**

- (52) **U.S. Cl.**  
USPC ..... **D8/13**

- (58) **Field of Classification Search**  
USPC ..... D8/1, 10, 11, 13; D21/532  
CPC ... A01D 7/00; A01D 7/02; A01D 7/04; A01D 7/06

See application file for complete search history.

(56) **References Cited**

**U.S. PATENT DOCUMENTS**

- 1,772,571 A \* 8/1930 Withington ..... A01D 7/06  
56/400.18
- 2,116,291 A \* 5/1938 Tsuchiya ..... A01D 7/02  
56/400.17
- 2,315,021 A \* 3/1943 Schmidt ..... A01D 7/02  
29/521

4,189,908 A \* 2/1980 Brock, Jr. .... A01D 7/06  
56/400.01

4,319,642 A 3/1982 Merz  
D295,712 S 5/1988 Scott

(Continued)

**FOREIGN PATENT DOCUMENTS**

CN 301821499 \* 2/2012  
CN 301870910 \* 3/2012

(Continued)

*Primary Examiner* — Sheryl Lane

*Assistant Examiner* — Ieisha N Price

(74) *Attorney, Agent, or Firm* — Leason Ellis LLP

(57) **CLAIM**

The ornamental design for gardening tool, as shown and described.

**DESCRIPTION**

FIG. 1 is a top perspective view of gardening tool according to our new design, showing a first embodiment;

FIG. 2 is a front view thereof;

FIG. 3 is a rear view thereof;

FIG. 4 is a left side view thereof;

FIG. 5 is a right side view thereof;

FIG. 6 is a top view thereof;

FIG. 7 is a bottom view thereof;

FIG. 8 is a top perspective view of a second embodiment;

FIG. 9 is a front view thereof;

FIG. 10 is a rear view thereof;

FIG. 11 is a left side view thereof;

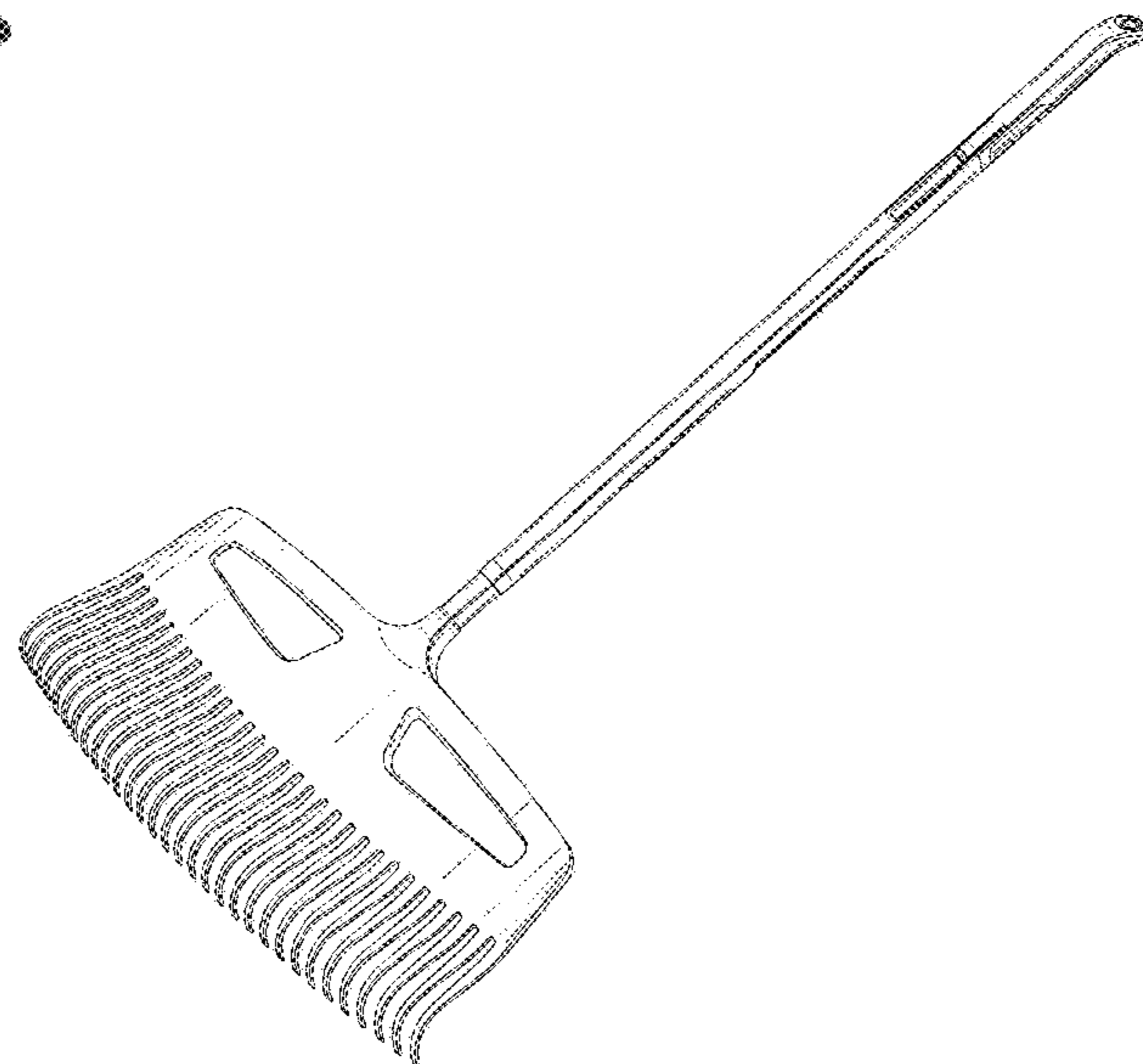
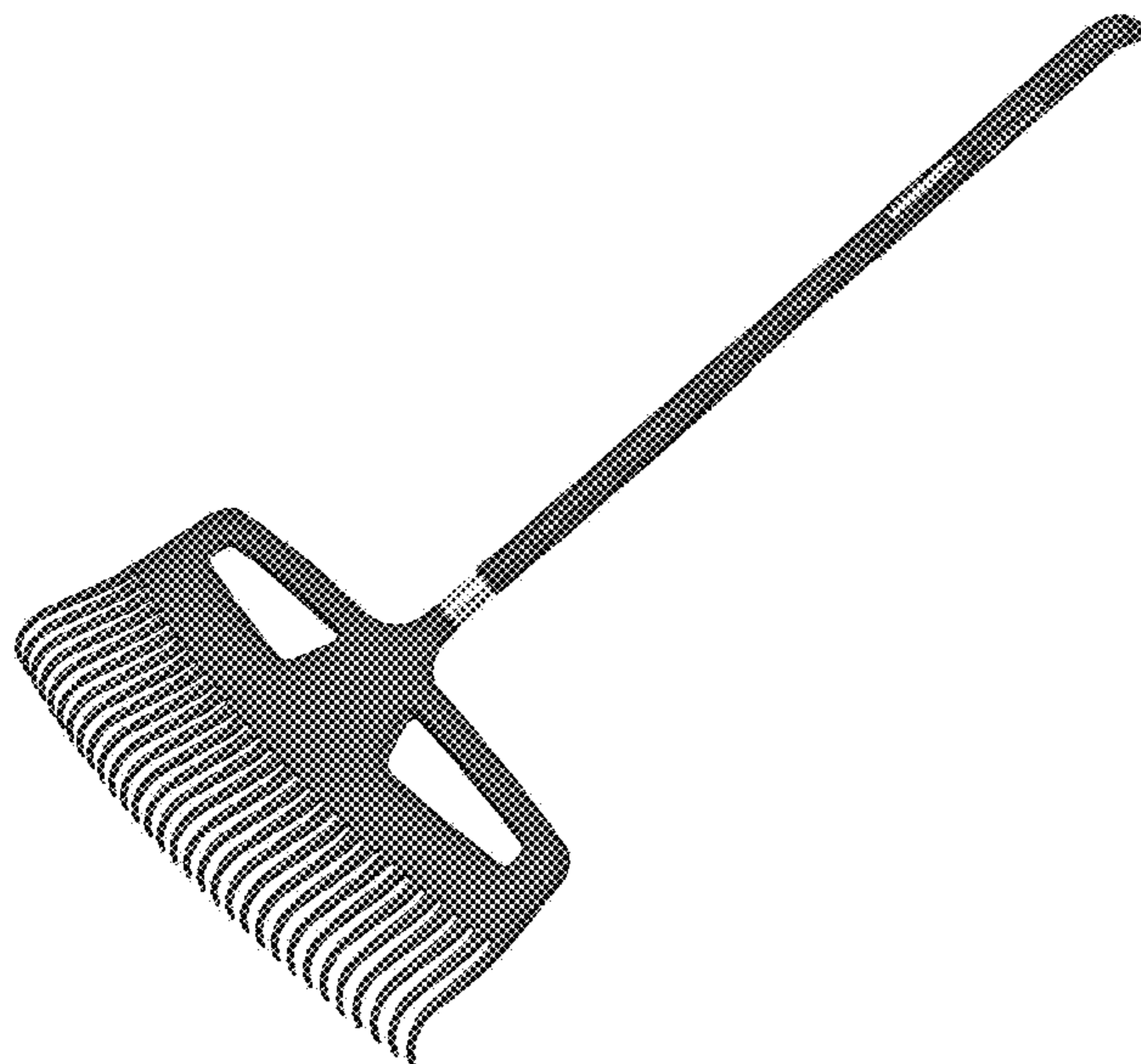
FIG. 12 is a right side view thereof;

FIG. 13 is a top view thereof; and,

FIG. 14 is a bottom view thereof.

The superimposed areas encased in broken lines illustrate portions of the gardening tool and form no part of the claimed design. The broken lines in the drawings illustrates portions of the gardening tool and form no part of the claimed design.

**1 Claim, 10 Drawing Sheets**



(56)

References Cited

U.S. PATENT DOCUMENTS

D298,725 S \* 11/1988 Sunila ..... D8/13  
 D305,496 S 1/1990 Jasperson  
 D305,497 S 1/1990 Jasperson  
 D339,039 S 9/1993 Concari  
 D342,426 S 12/1993 Concari  
 D354,661 S 1/1995 Linden  
 D360,343 S 7/1995 Concari  
 D375,236 S 11/1996 Spear  
 D376,301 S 12/1996 Yates  
 D456,676 S \* 5/2002 Sunila ..... D8/13  
 D501,765 S 2/2005 Tatic  
 D514,902 S \* 2/2006 Conaway ..... D8/13  
 D541,119 S \* 4/2007 Jost ..... D8/13  
 D563,742 S 3/2008 Baker  
 D579,289 S \* 10/2008 Norton ..... D8/13  
 D600,984 S 9/2009 Wong  
 D604,126 S 11/2009 Boies  
 D611,316 S 3/2010 Boies  
 D625,571 S 10/2010 Frenkel  
 D640,103 S 6/2011 Paolini  
 D640,104 S 6/2011 Paolini  
 D642,440 S \* 8/2011 Boda ..... D8/13  
 D653,091 S 1/2012 Hua  
 D670,150 S 11/2012 Angel  
 D675,075 S 1/2013 Paloheimo  
 D676,725 S 2/2013 Meiller  
 D678,013 S \* 3/2013 Hua ..... D8/13  
 D678,014 S \* 3/2013 Hua ..... D8/13  
 D678,738 S \* 3/2013 Hua ..... D8/13  
 D684,441 S 6/2013 Baker

D704,025 S 5/2014 Tronconi  
 D710,665 S 8/2014 Boies  
 D711,204 S 8/2014 Masalin  
 D715,118 S \* 10/2014 Wofford ..... D8/13  
 D719,420 S \* 12/2014 Masalin ..... D8/13  
 D725,447 S 3/2015 Gonzalez  
 D775,908 S \* 1/2017 Boies ..... D8/13  
 D807,717 S 1/2018 Tia  
 D813,622 S 3/2018 Baker  
 D825,312 S 8/2018 Buckley  
 D850,872 S 6/2019 Roberts  
 D859,102 S 9/2019 Roberts  
 D861,442 S \* 10/2019 Rubinstein ..... D8/13  
 D873,098 S \* 1/2020 Parenteau ..... D8/13  
 D943,371 S \* 2/2022 Hua ..... D8/13  
 2005/0188671 A1 \* 9/2005 Conaway ..... A01D 7/00  
 56/400.18  
 2010/0218476 A1 \* 9/2010 Gosselin ..... A01D 7/10  
 56/400.16  
 2015/0230400 A1 8/2015 Tia  
 2019/0045696 A1 2/2019 Schoeppner  
 2020/0305359 A1 \* 10/2020 Oakes ..... A01D 7/00

FOREIGN PATENT DOCUMENTS

CN 302833942 \* 6/2014  
 CN 304480816 \* 1/2018  
 GB 2104601 \* 10/2001  
 JP D1676096 \* 1/2021  
 TW 195731-0001 \* 2/2019  
 TW 196049-0001 \* 2/2019

\* cited by examiner

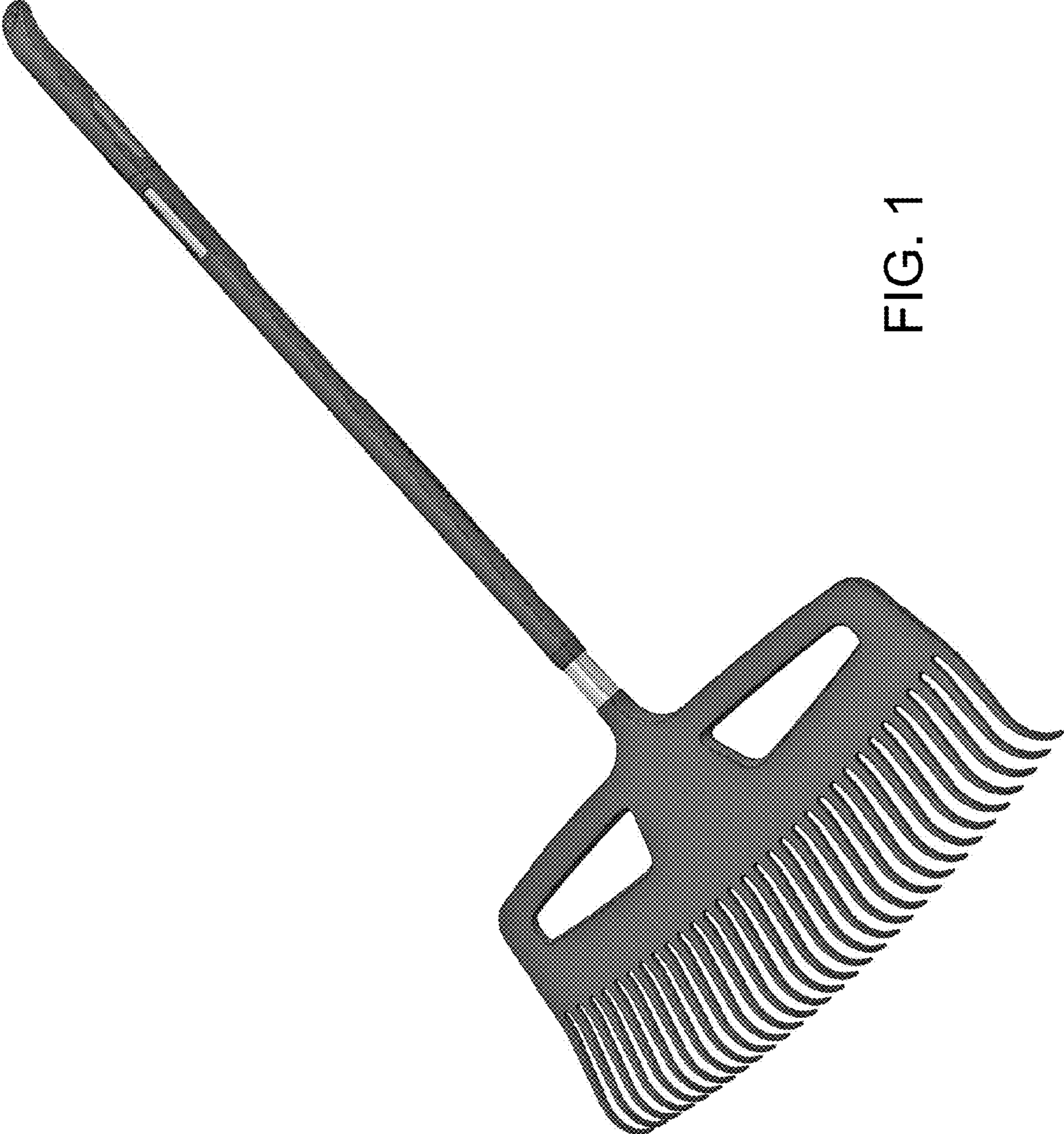


FIG. 1

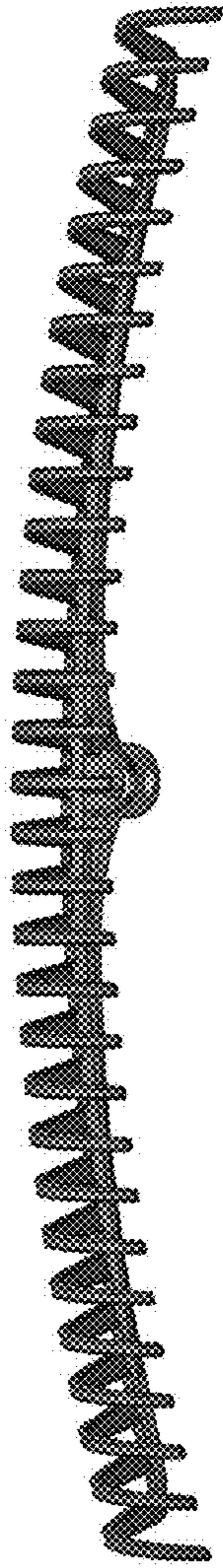


FIG. 2

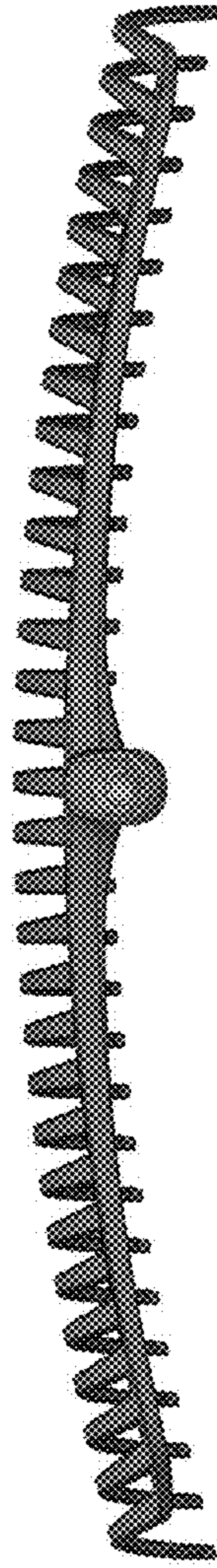


FIG. 3

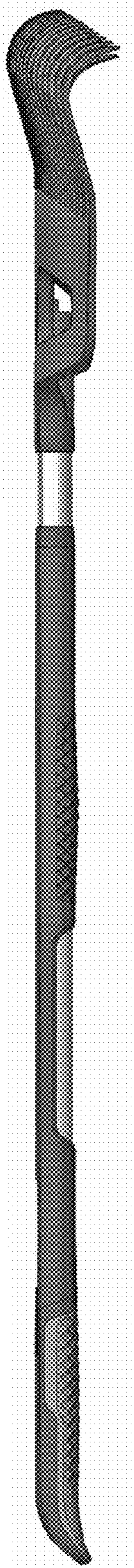


FIG. 4

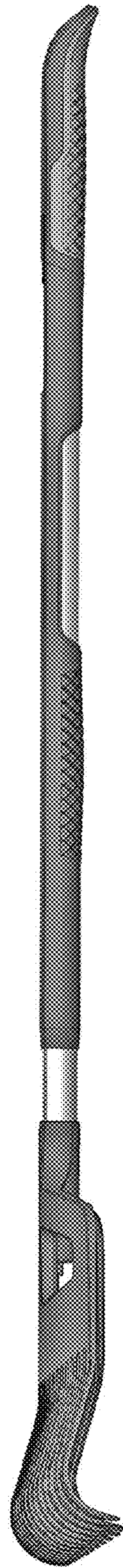


FIG. 5

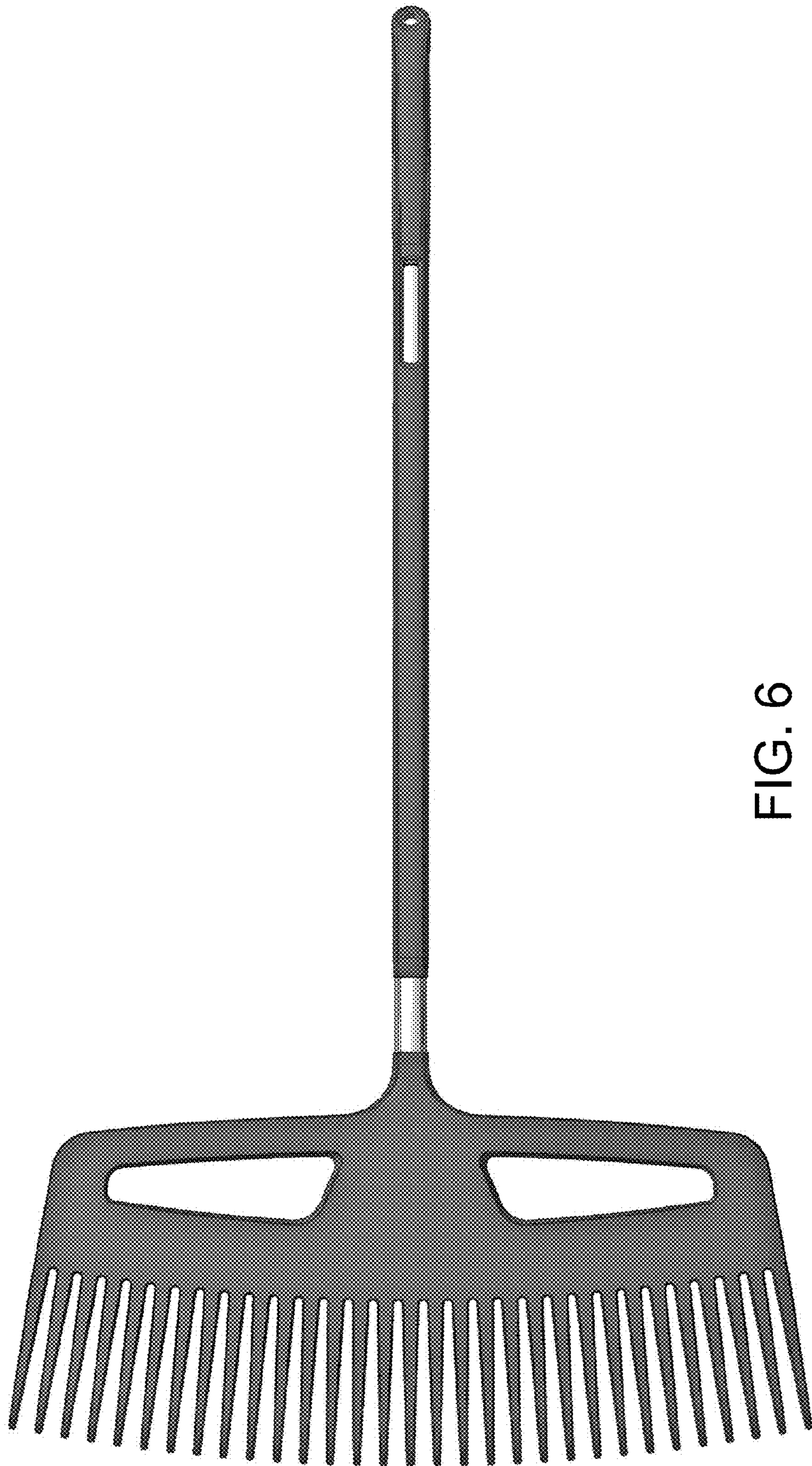


FIG. 6

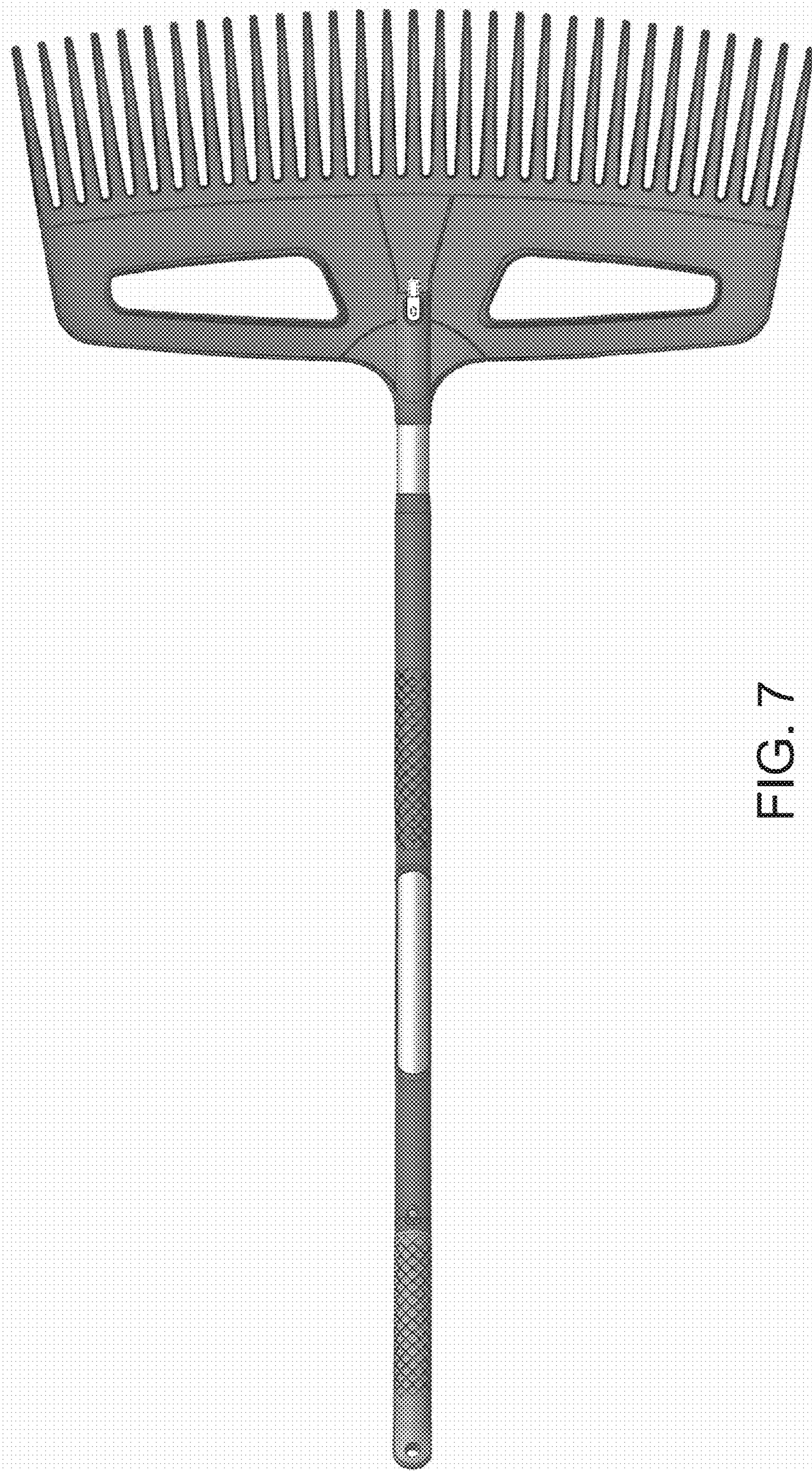


FIG. 7

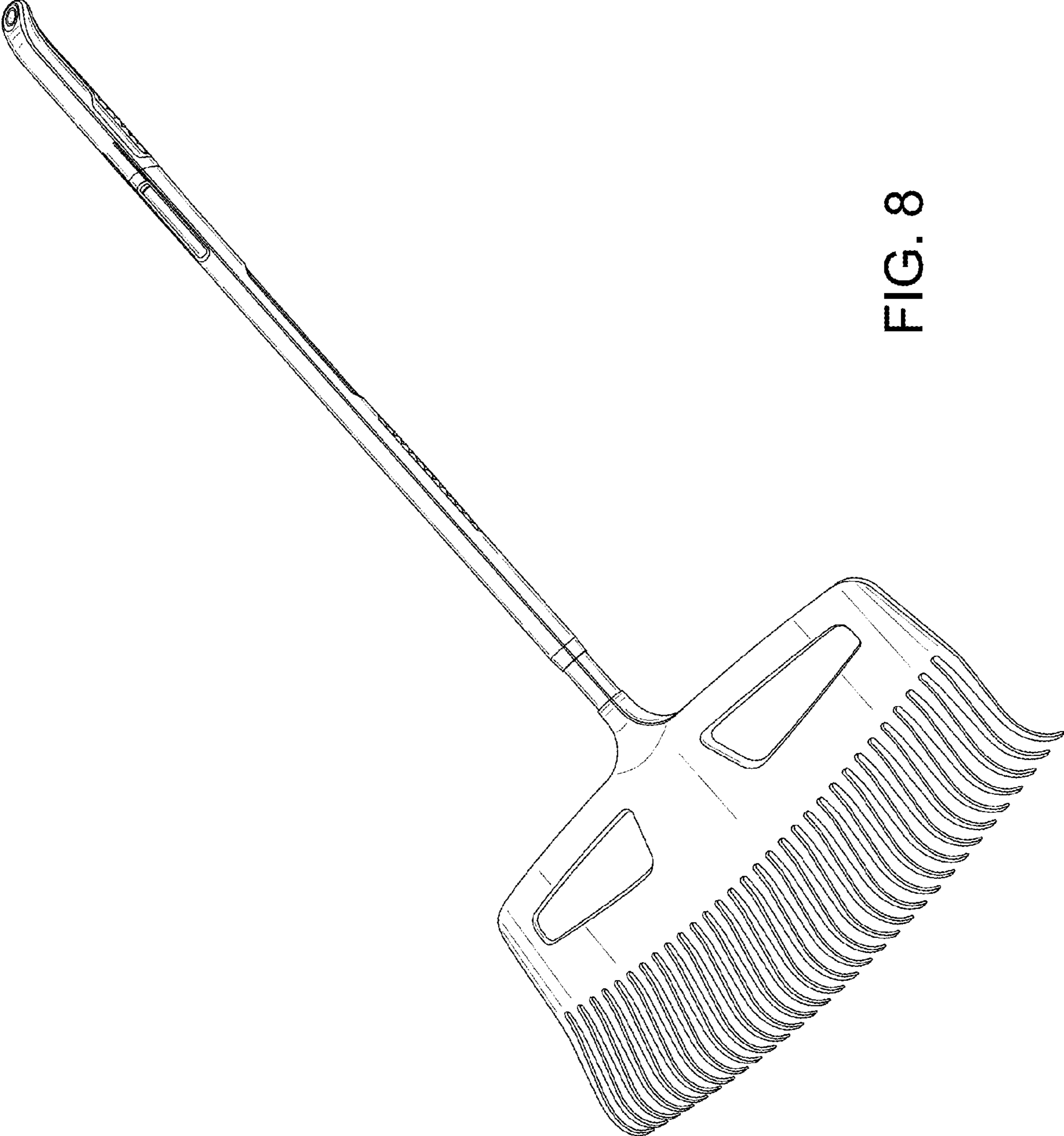


FIG. 8



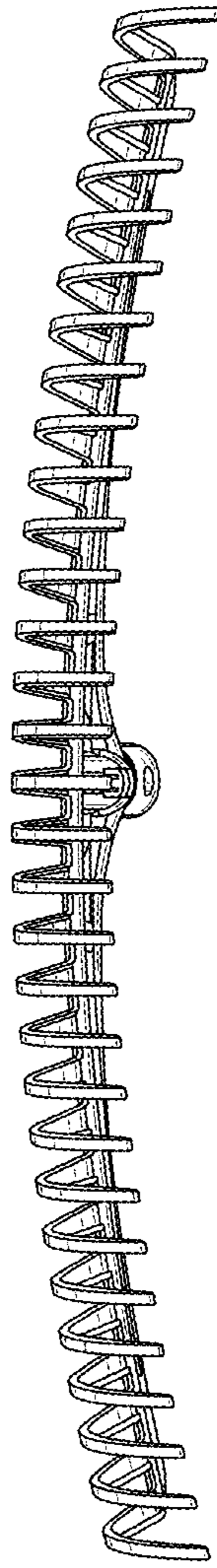


FIG. 9

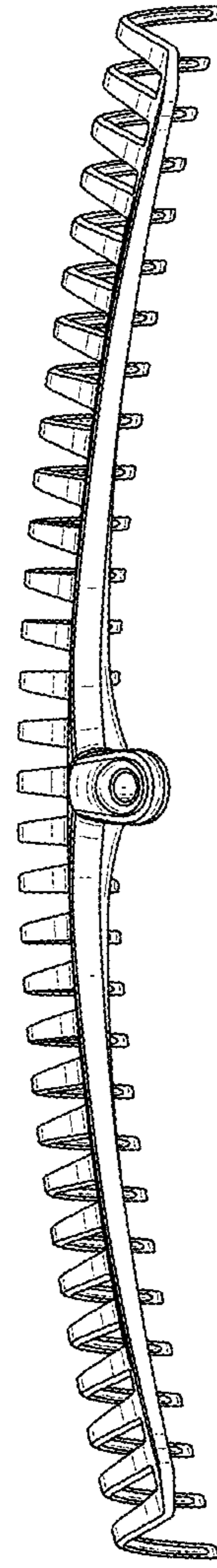


FIG. 10

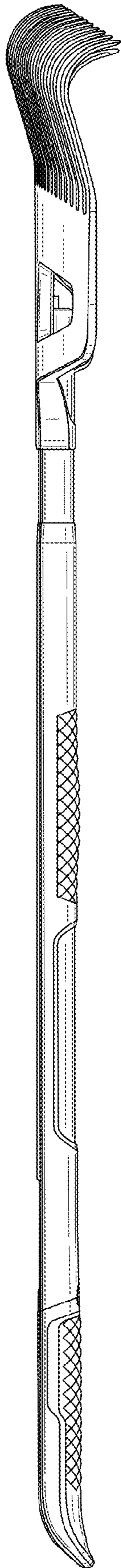


FIG. 11

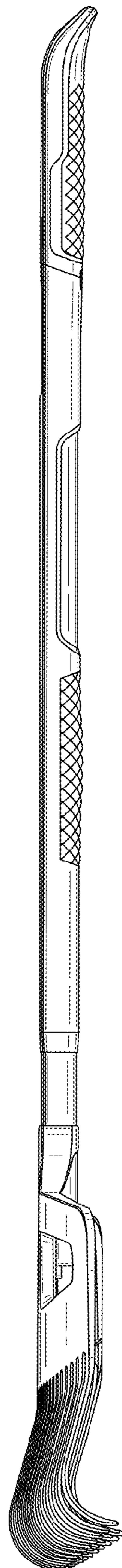


FIG. 12

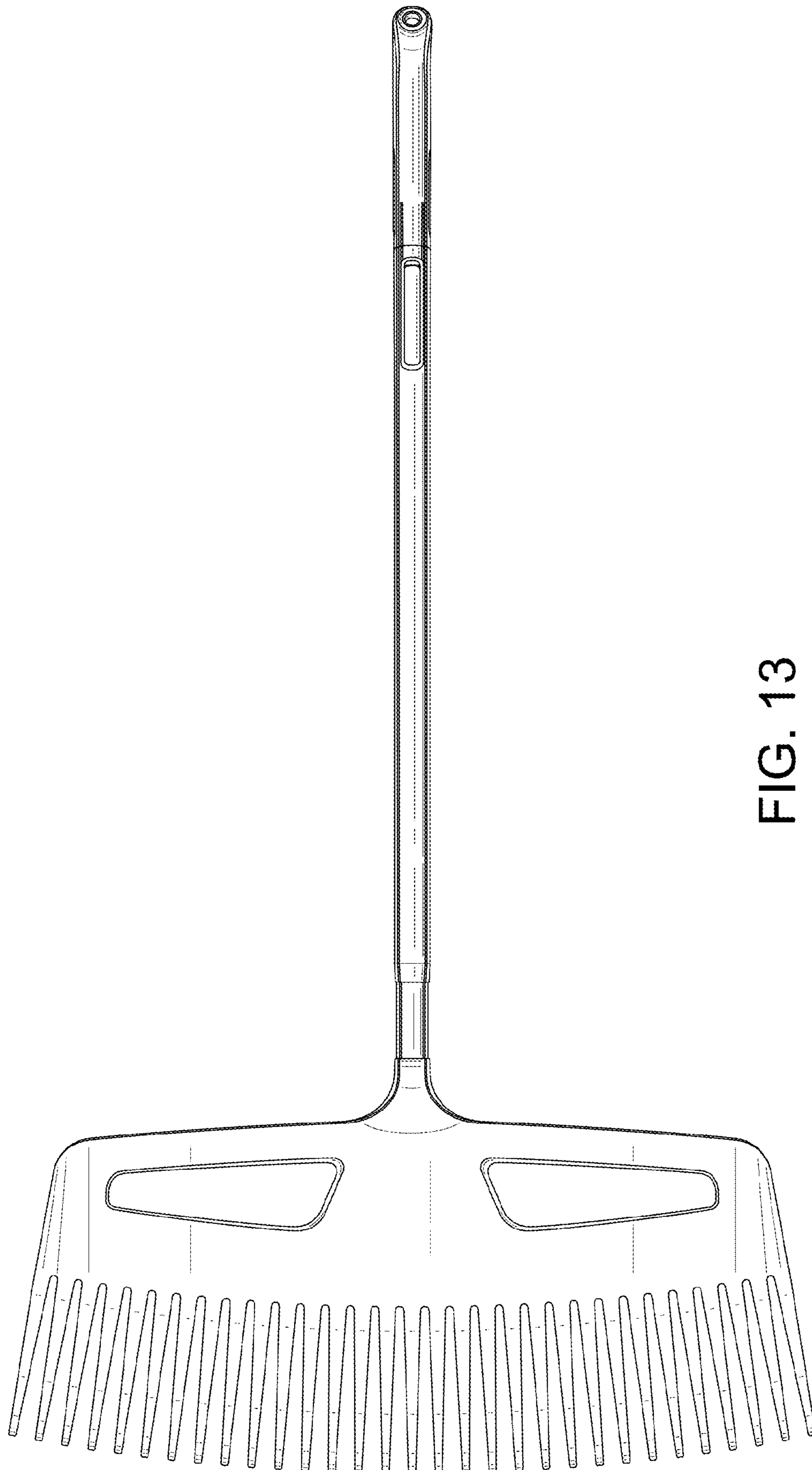


FIG. 13

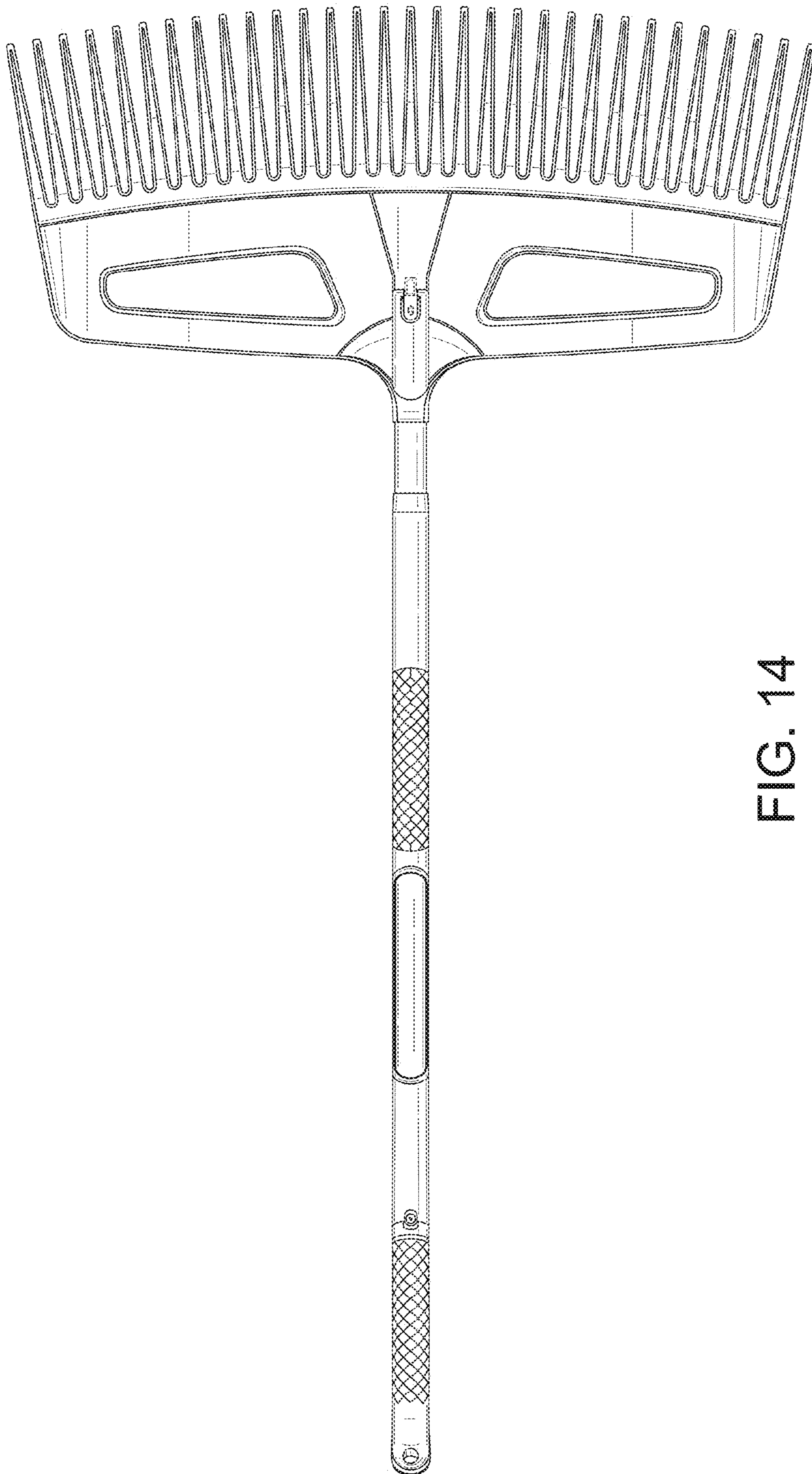


FIG. 14