



US00D969575S

(12) **United States Design Patent**  
**Burton**

(10) **Patent No.:** **US D969,575 S**

(45) **Date of Patent:** **\*\* Nov. 15, 2022**

(54) **LEAF PRESS**

(71) Applicant: **Jon P. Burton**, Omaha, NE (US)

(72) Inventor: **Jon P. Burton**, Omaha, NE (US)

(\*\*) Term: **15 Years**

(21) Appl. No.: **29/730,655**

(22) Filed: **Apr. 7, 2020**

(51) **LOC (13) Cl.** ..... **08-01**

(52) **U.S. Cl.**  
USPC ..... **D8/1**

(58) **Field of Classification Search**  
USPC ..... D8/1, 45; D15/123; D7/375-375,  
D7/381-382, 669-700

CPC . B65F 1/1405; B30B 9/3053; B28B 11/0809;  
E02D 3/02; E02D 3/046

See application file for complete search history.

(56) **References Cited**

U.S. PATENT DOCUMENTS

- 307,981 A \* 11/1884 Peace ..... E04F 21/06  
15/235.4
- 1,007,536 A \* 10/1911 Cooley ..... E02D 3/068  
404/133.1
- 1,019,742 A \* 3/1912 Boyle ..... E02D 3/068  
404/133.1
- 1,096,445 A \* 5/1914 McKesson ..... E02D 3/068  
404/133.1
- 1,800,653 A \* 4/1931 Morris ..... A47J 19/04  
D7/682
- 1,878,924 A \* 9/1932 Will ..... A45D 33/003  
241/168
- 2,307,892 A \* 1/1943 Lowther ..... G01B 3/04  
33/485
- 2,879,044 A \* 3/1959 Gunas ..... B44D 3/06  
416/185
- D205,538 S \* 8/1966 Latham ..... D7/682
- 3,349,824 A \* 10/1967 Trenor ..... B26D 3/185  
241/168

- 4,231,677 A \* 11/1980 Roming ..... B44B 11/04  
404/89
- 4,991,500 A \* 2/1991 Knapp ..... B65F 1/1405  
220/908
- D338,817 S \* 8/1993 Fennessy, Sr. .... D8/45
- 5,791,479 A \* 8/1998 Beres ..... A47J 47/005  
206/541
- 5,806,416 A \* 9/1998 Cerniglia ..... B30B 1/30  
100/246
- 5,862,748 A 1/1999 Witter
- D422,427 S \* 4/2000 Packer ..... D6/403
- 6,951,435 B1 \* 10/2005 Fennessy, Sr. .... E01C 19/44  
249/188

(Continued)

*Primary Examiner* — Rachel A. Voorhies

*Assistant Examiner* — Benjamin D. Wannemacher

(74) *Attorney, Agent, or Firm* — Suiter Swantz pc llo

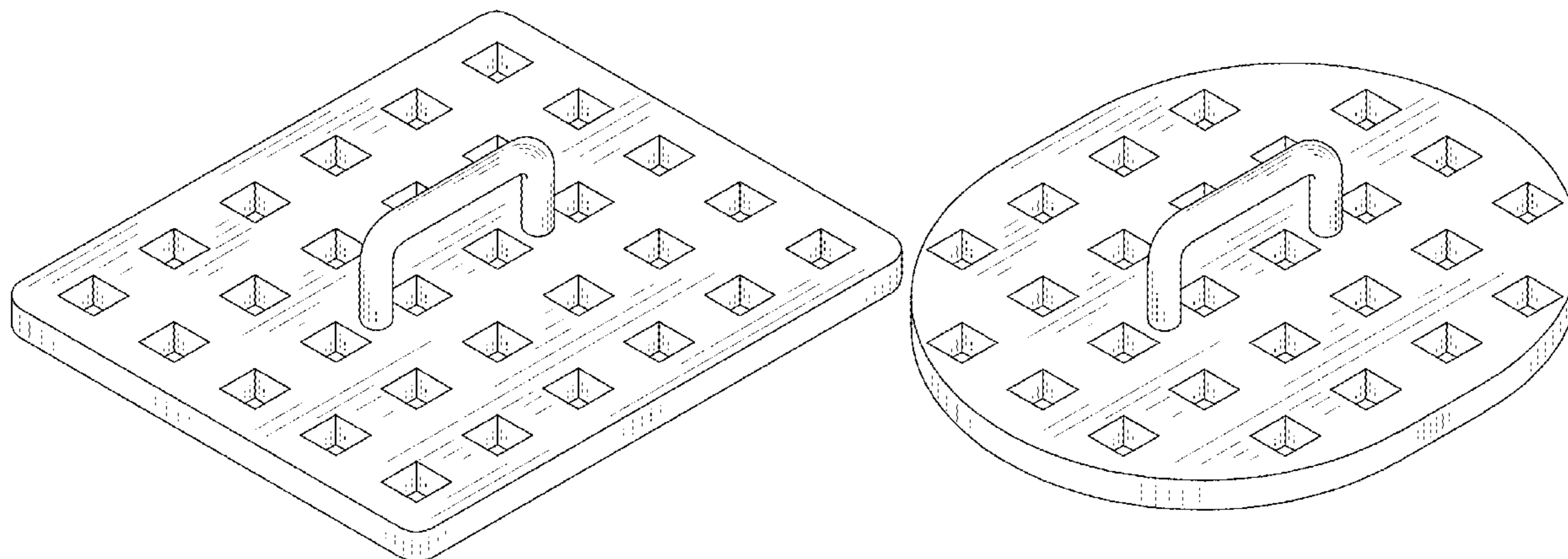
(57) **CLAIM**

The ornamental design for a leaf press, as shown and described.

**DESCRIPTION**

FIG. 1 is a perspective view of a first embodiment of a leaf press;  
 FIG. 2 is a top view thereof;  
 FIG. 3 is a front view thereof;  
 FIG. 4 is a side view thereof;  
 FIG. 5 is a rear view thereof;  
 FIG. 6 is a side view thereof;  
 FIG. 7 is a bottom view thereof;  
 FIG. 8 is a perspective view of a second embodiment of a leaf press;  
 FIG. 9 is a top view thereof;  
 FIG. 10 is a front view thereof;  
 FIG. 11 is a side view thereof;  
 FIG. 12 is a rear view thereof;  
 FIG. 13 is a side view thereof; and,  
 FIG. 14 is a bottom view thereof.

**1 Claim, 6 Drawing Sheets**





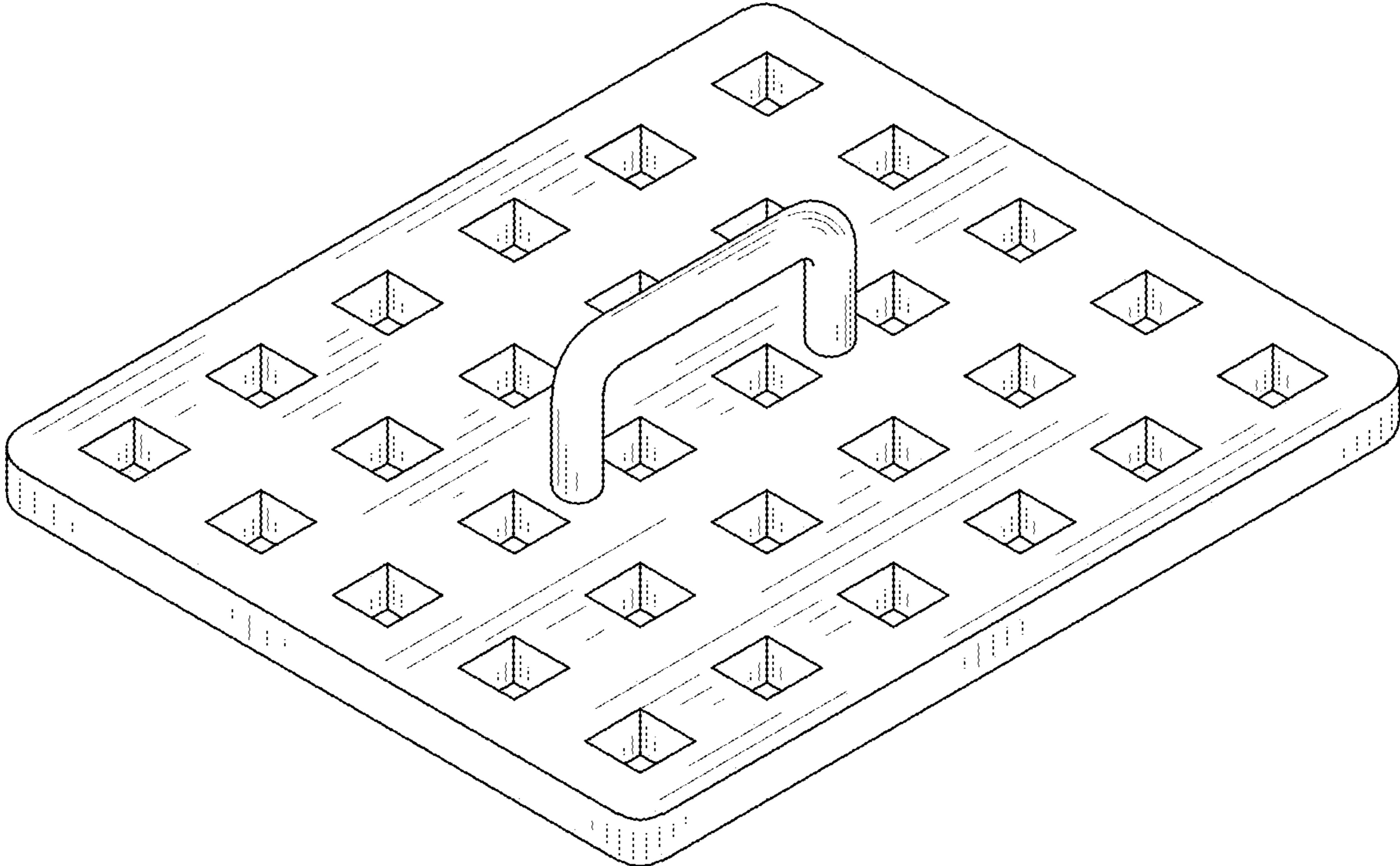


FIG. 1

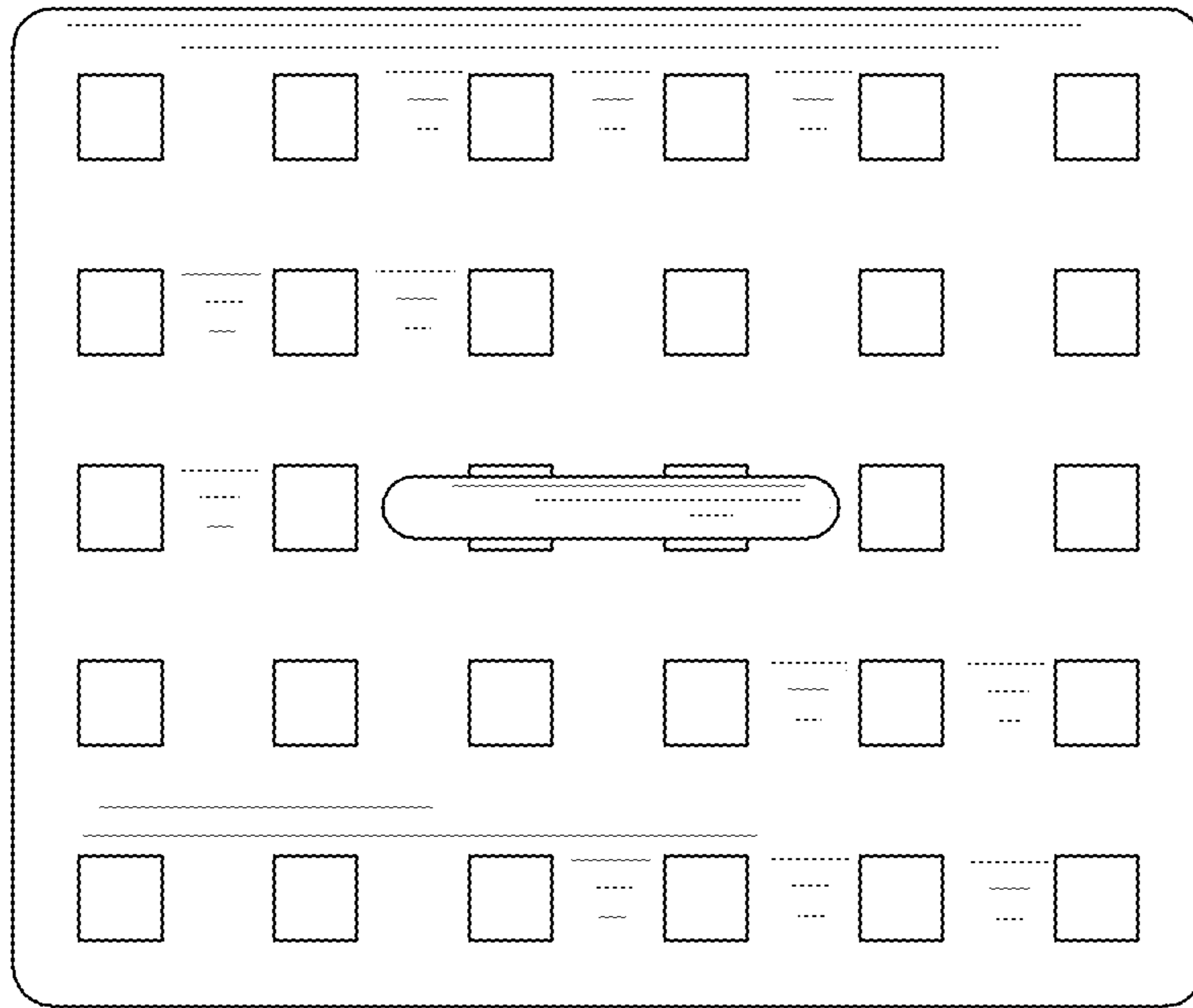


FIG. 2

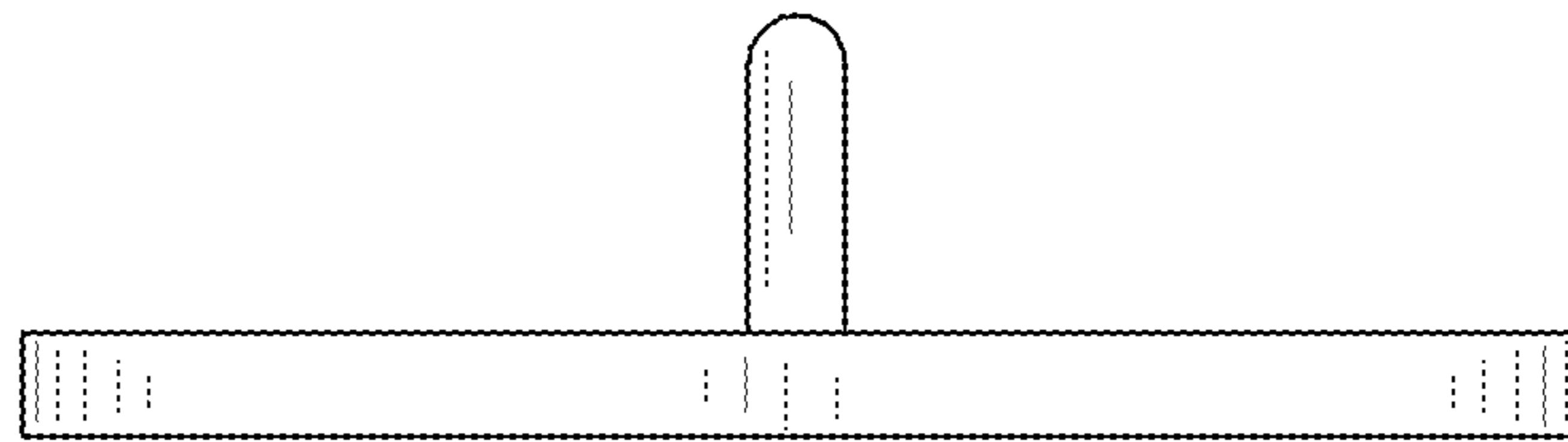


FIG. 3

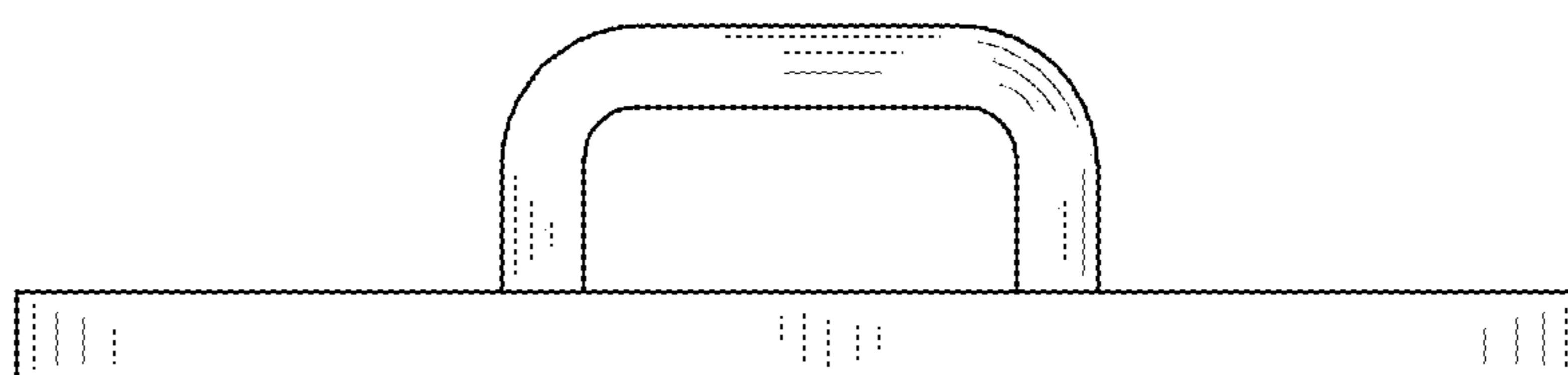


FIG. 4

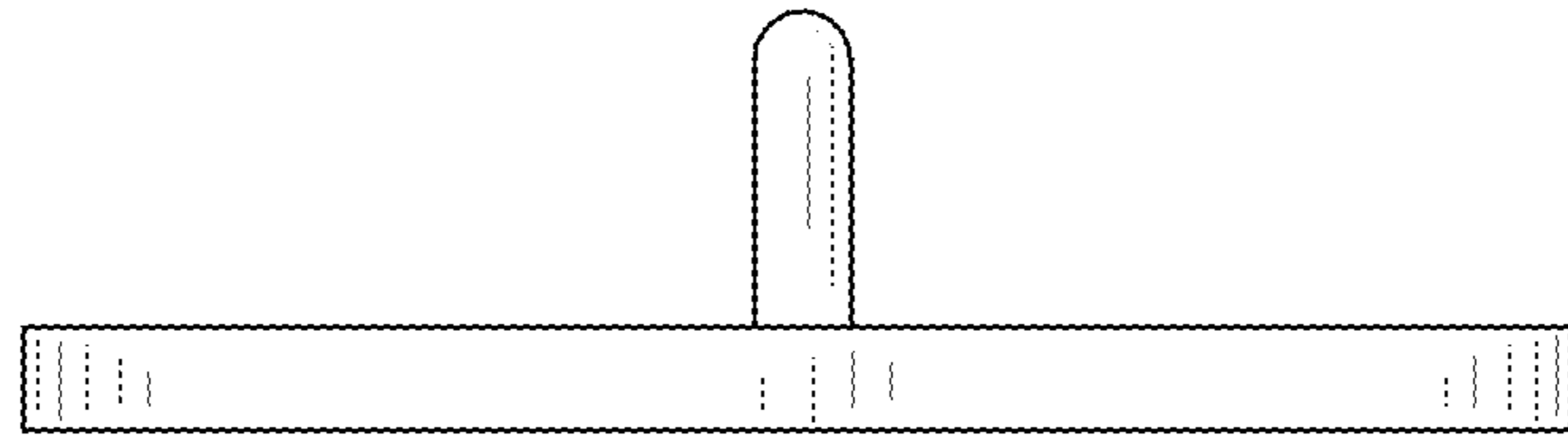


FIG. 5

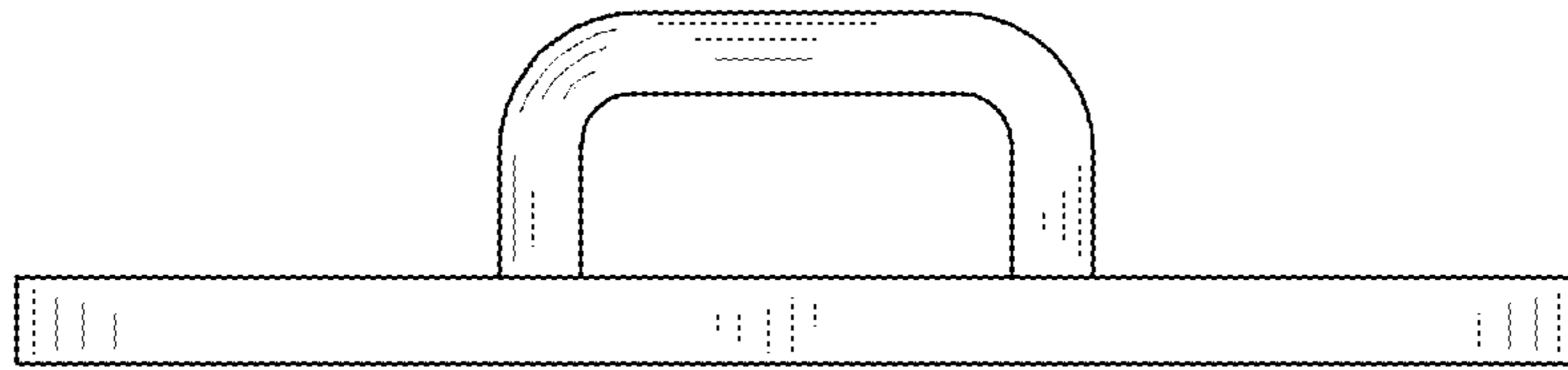


FIG. 6



FIG. 7



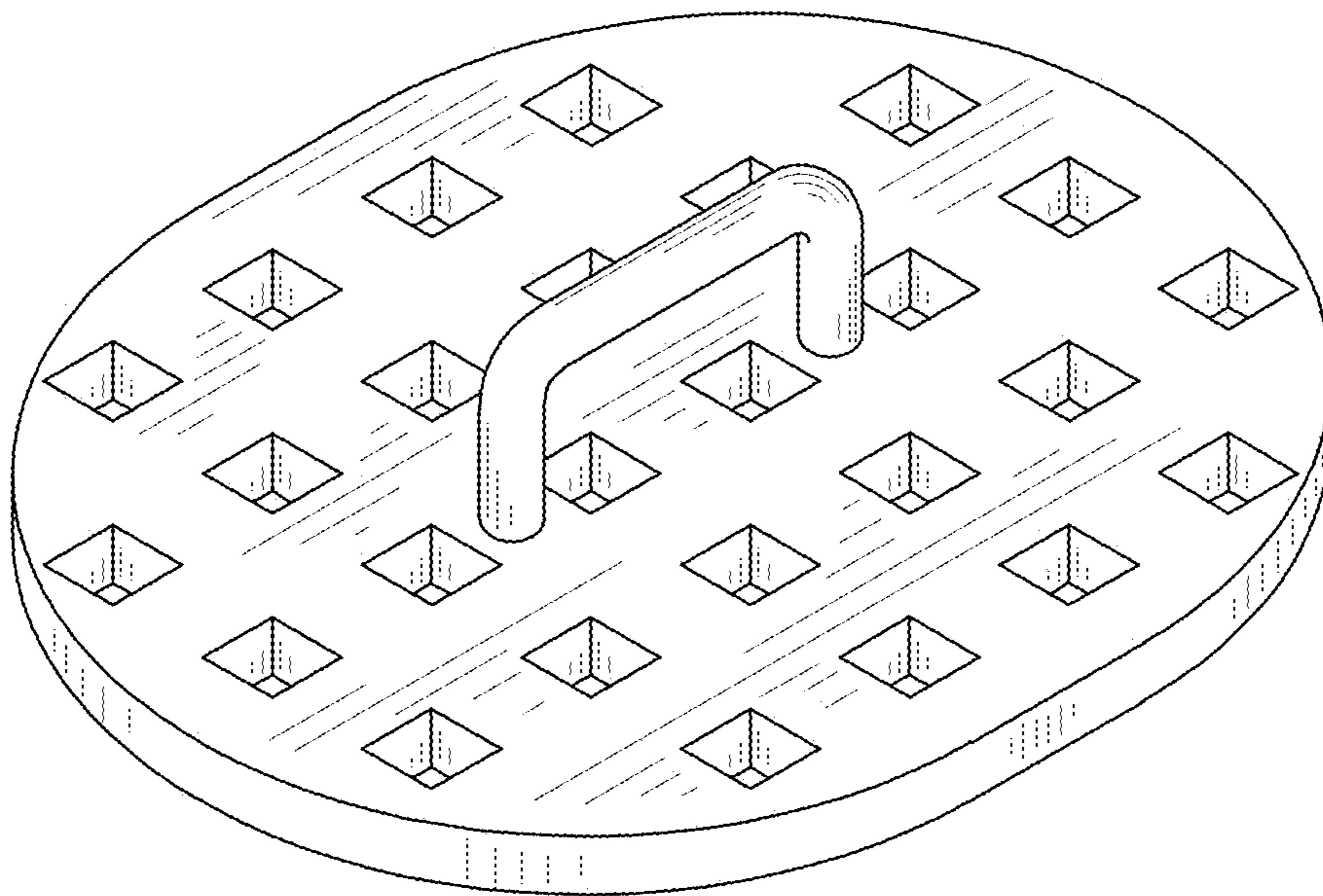


FIG. 8

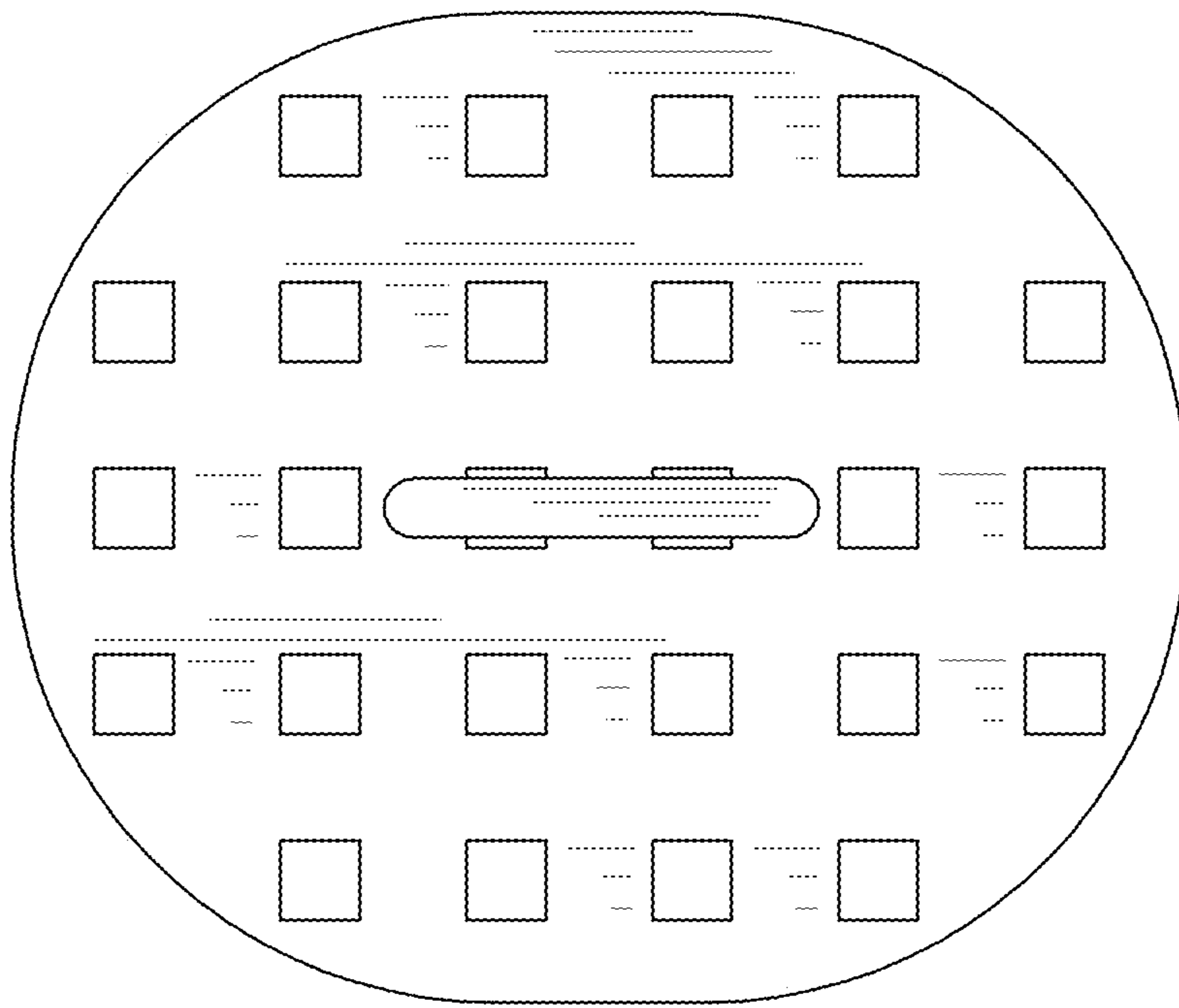


FIG. 9

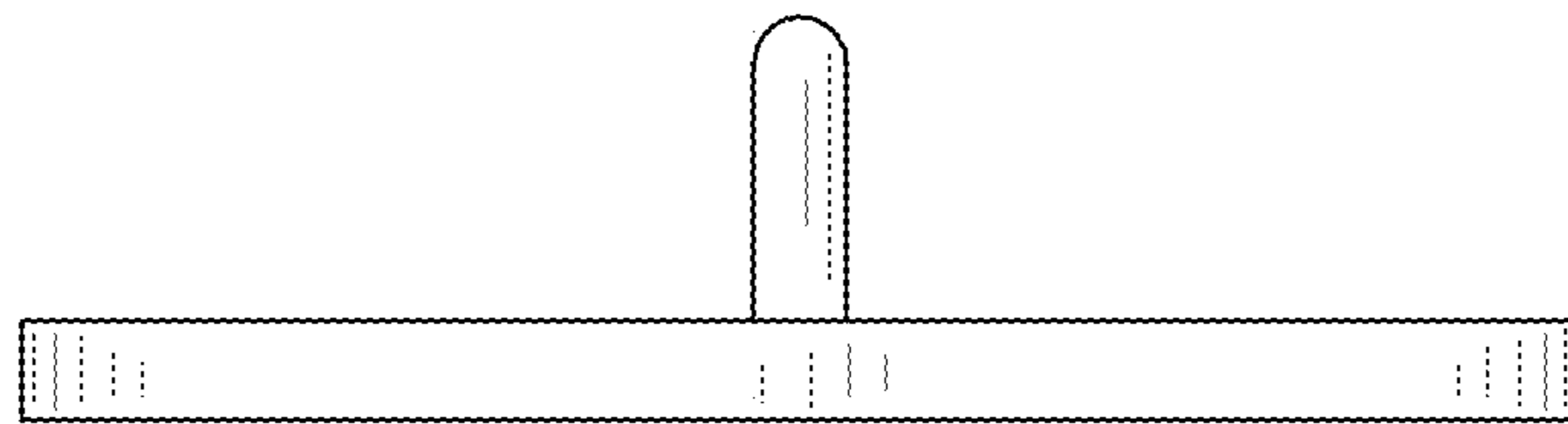


FIG. 10

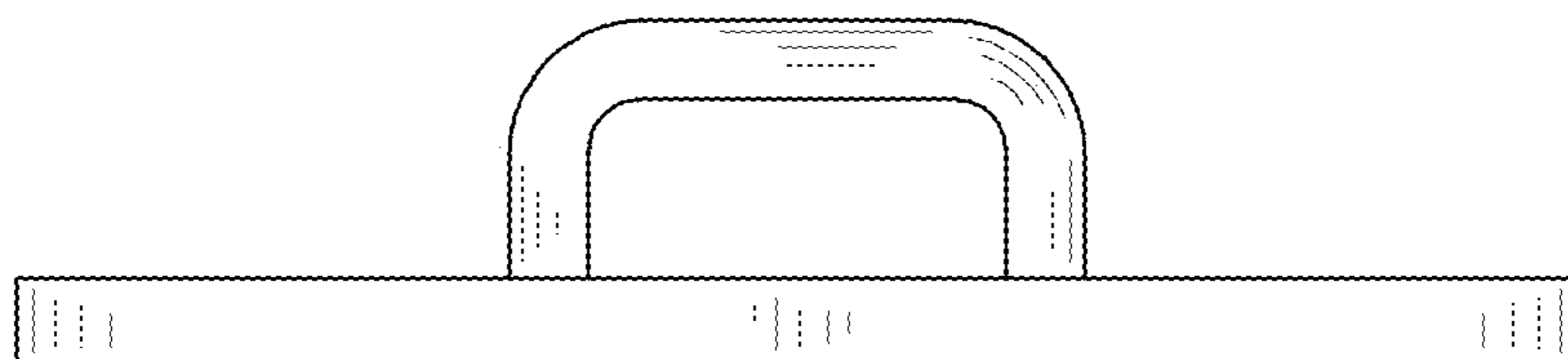


FIG. 11

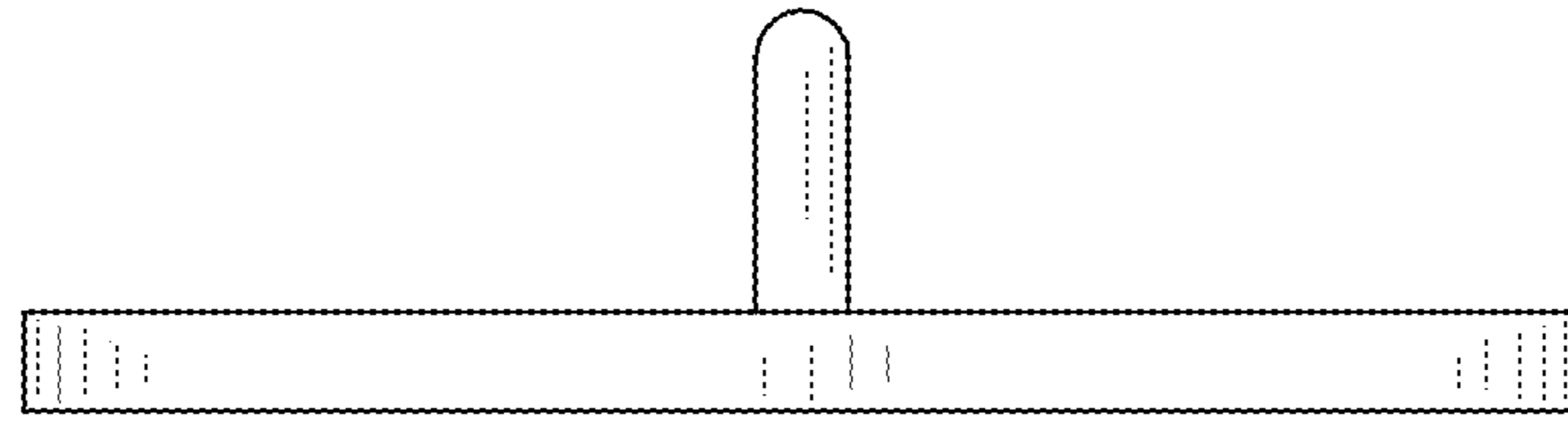


FIG. 12

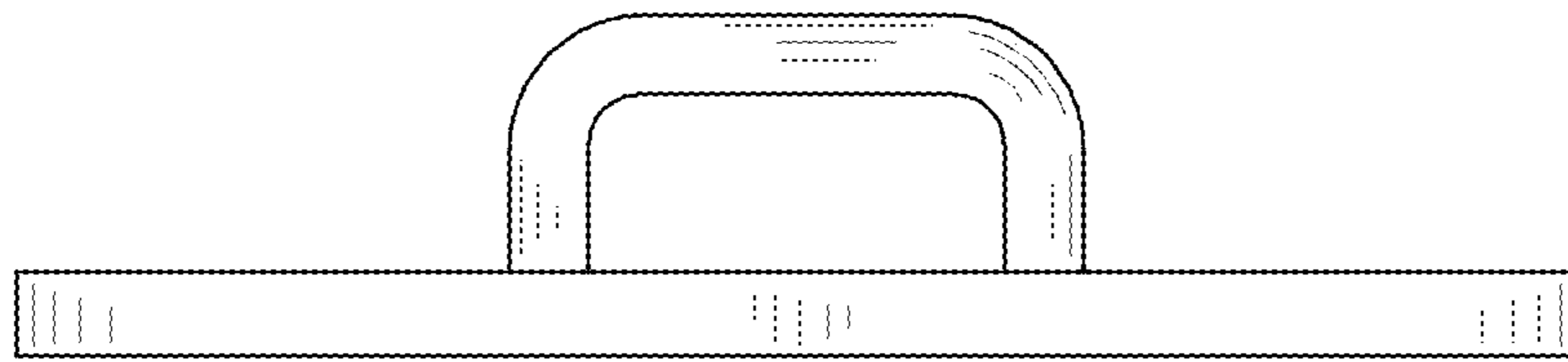


FIG. 13

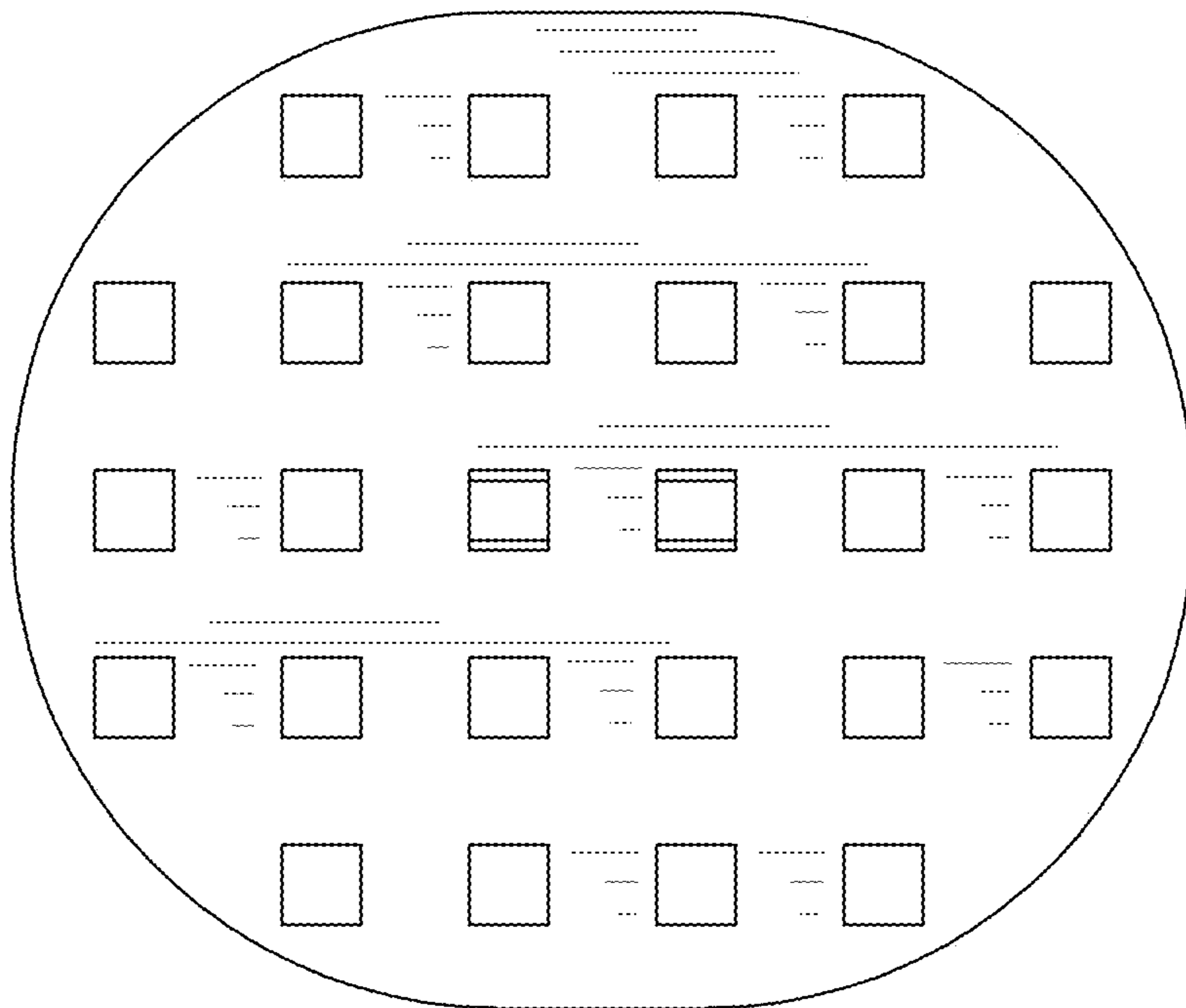


FIG. 14