

US00D969573S

(12) **United States Design Patent**
Zhong

(10) **Patent No.:** **US D969,573 S**

(45) **Date of Patent:** **** Nov. 15, 2022**

(54) **POT LID RACK**

D826,660 S * 8/2018 Klein D7/704
D850,169 S * 6/2019 Tsai D6/678.4
2003/0213759 A1* 11/2003 Compagnucci A47L 19/04
211/41.11

(71) Applicant: **XIAMEN LEGENDA ELECTRONIC TECHNOLOGY COMPANY LIMITED**, Xiamen (CN)

(72) Inventor: **Wenda Zhong**, Xiamen (CN)

(73) Assignee: **XIAMEN LEGENDA ELECTRONIC TECHNOLOGY COMPANY LIMITED**, Xiamen (CN)

(**) Term: **15 Years**

(21) Appl. No.: **29/748,743**

(22) Filed: **Sep. 1, 2020**

(30) **Foreign Application Priority Data**

Mar. 3, 2020 (CN) 202030067804.X

(51) **LOC (13) Cl.** **06-04**

(52) **U.S. Cl.**
USPC **D7/704**

(58) **Field of Classification Search**
USPC ... D7/701-708, 409, 601, 600.1-600.4, 637, D7/638; D6/675.5, 676.5, 677.5, 678.4, D6/680.3, 683.1; D3/306, 304, 314
CPC A47J 47/16; A47J 47/00; A47J 43/287; A47J 43/00; A47J 43/28; A47B 61/04; A47B 55/02; A47B 57/36; A47G 19/08; A47F 5/01; B65D 21/0211; B65D 21/00; B65D 7/14; B65D 7/00
See application file for complete search history.

(56) **References Cited**

U.S. PATENT DOCUMENTS

D295,125 S * 4/1988 Chap D7/704
D421,062 S * 2/2000 Goodman D19/86
D588,378 S * 3/2009 Goodman D7/704
D772,017 S * 11/2016 Tsai D7/704

OTHER PUBLICATIONS

Amazon.com, YouCopia StoreMore Adjustable Pot Lid Organizer, ASIN: B07NMTHPKK, 14 pages, date first available Feb. 11, 2019. (Year: 2019).*
Amazon.com, EVERIE Adjustable Bakeware Organizer Pot Lid Holder Rack, ASIN: B088FL4DRQ, 9 pages, date first available May 11, 2020. (Year: 2020).*

* cited by examiner

Primary Examiner — Terry A Wallace

(74) *Attorney, Agent, or Firm* — Bayramoglu Law Offices LLC

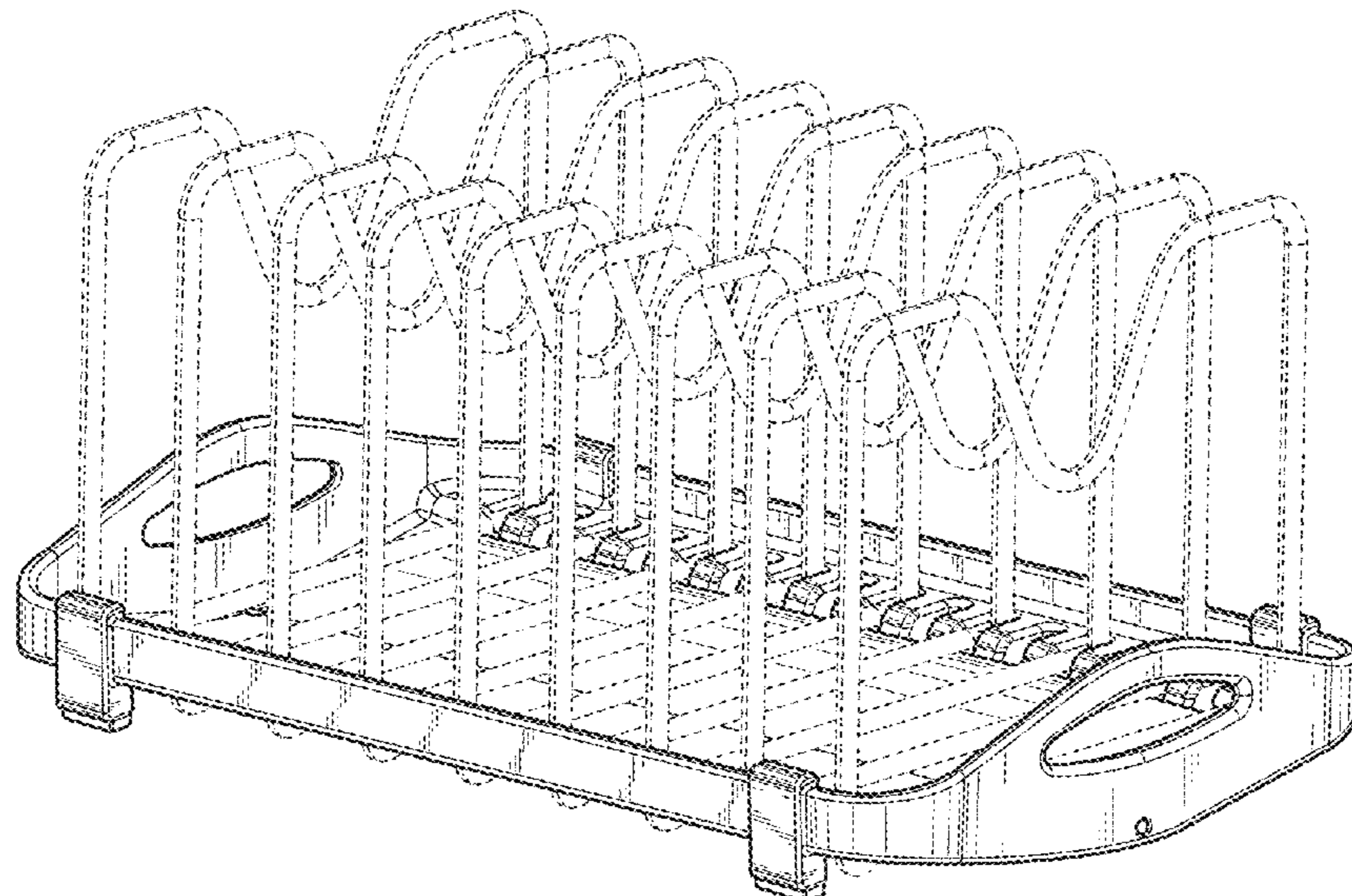
(57) **CLAIM**

The ornamental design for a pot lid rack, as shown and described.

DESCRIPTION

FIG. 1 is a perspective view of a pot lid rack showing my new design;
FIG. 2 is a right view thereof;
FIG. 3 is a front view thereof;
FIG. 4 is a bottom view thereof;
FIG. 5 is a top view thereof; and,
FIG. 6 is another perspective view thereof.
A left view is omitted since the left view is identical to the right view.
A rear view is omitted since the rear view is identical to the front view.
The broken lines depict portions of the Pot lid rack in which the design is embodied that form no part of the claimed design.

1 Claim, 6 Drawing Sheets



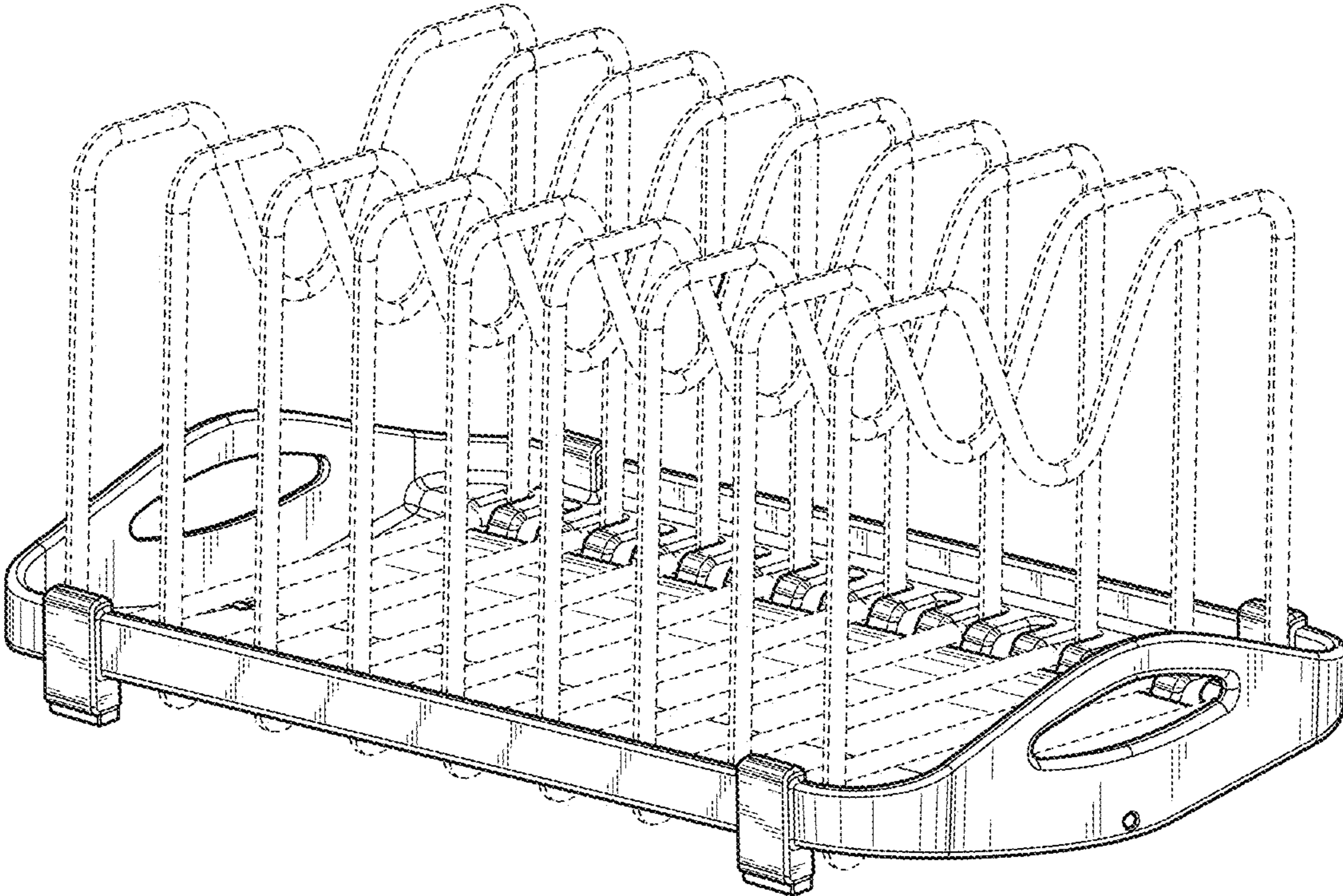


Fig. 1

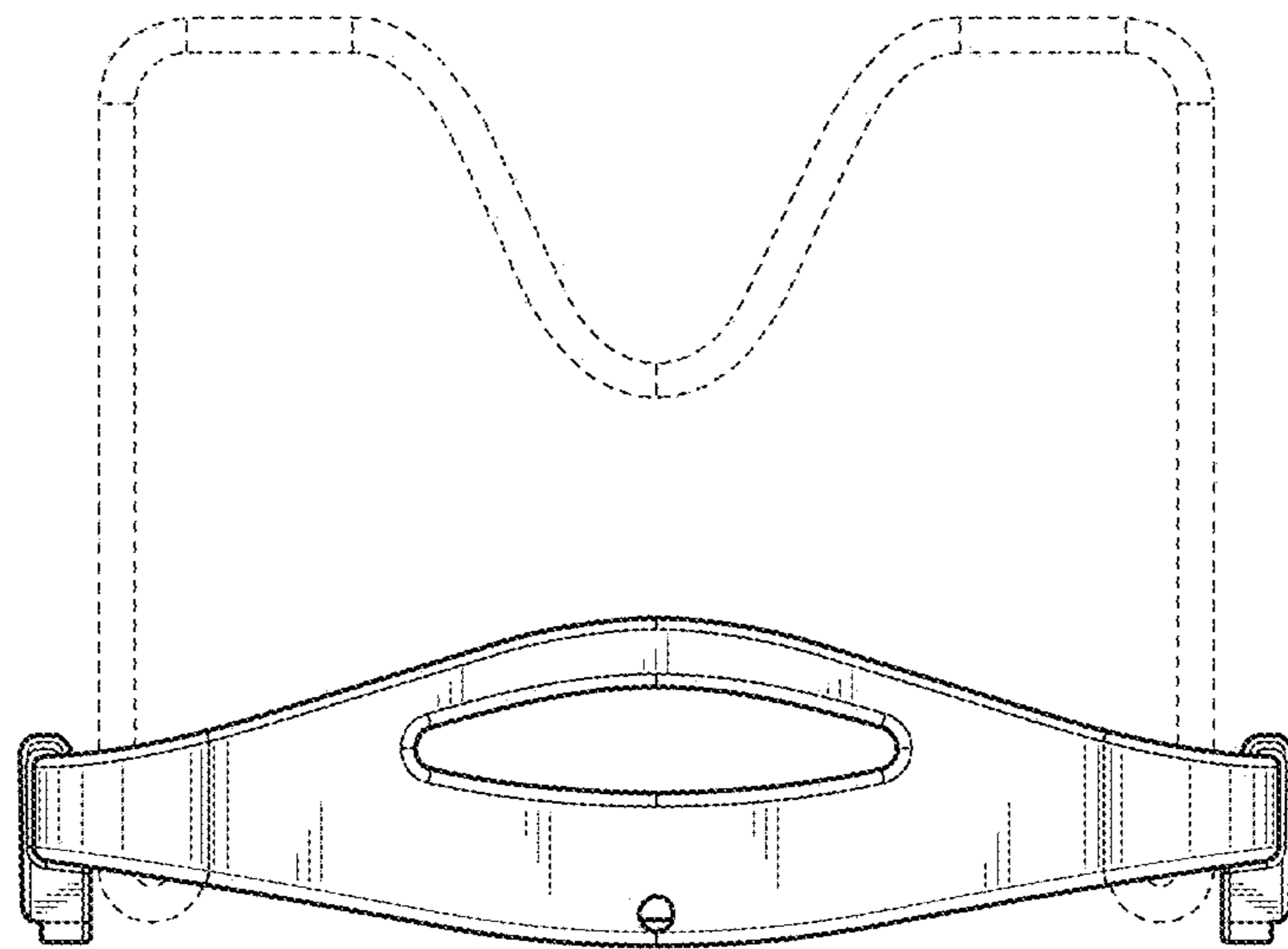


Fig. 2

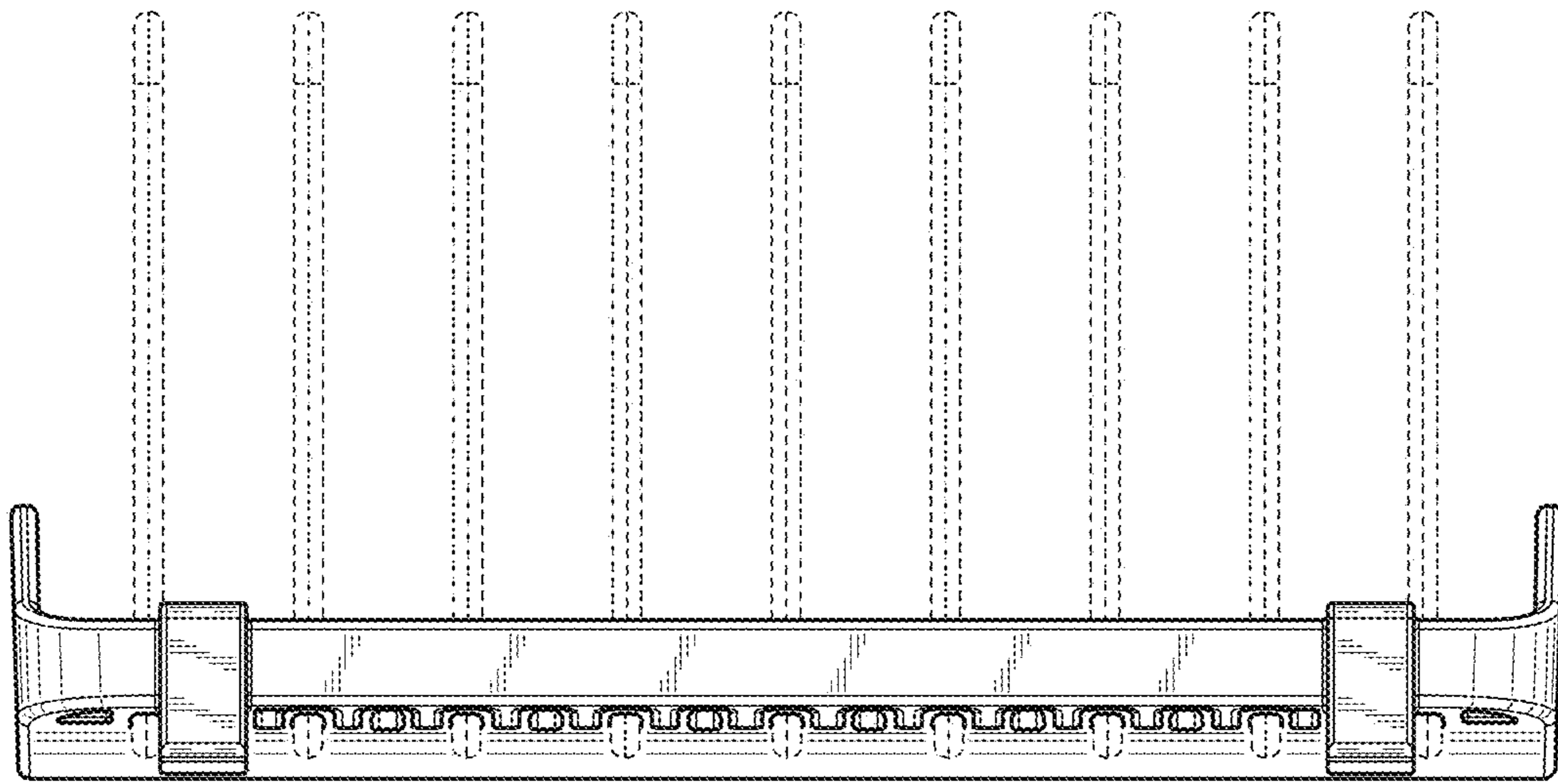


Fig. 3

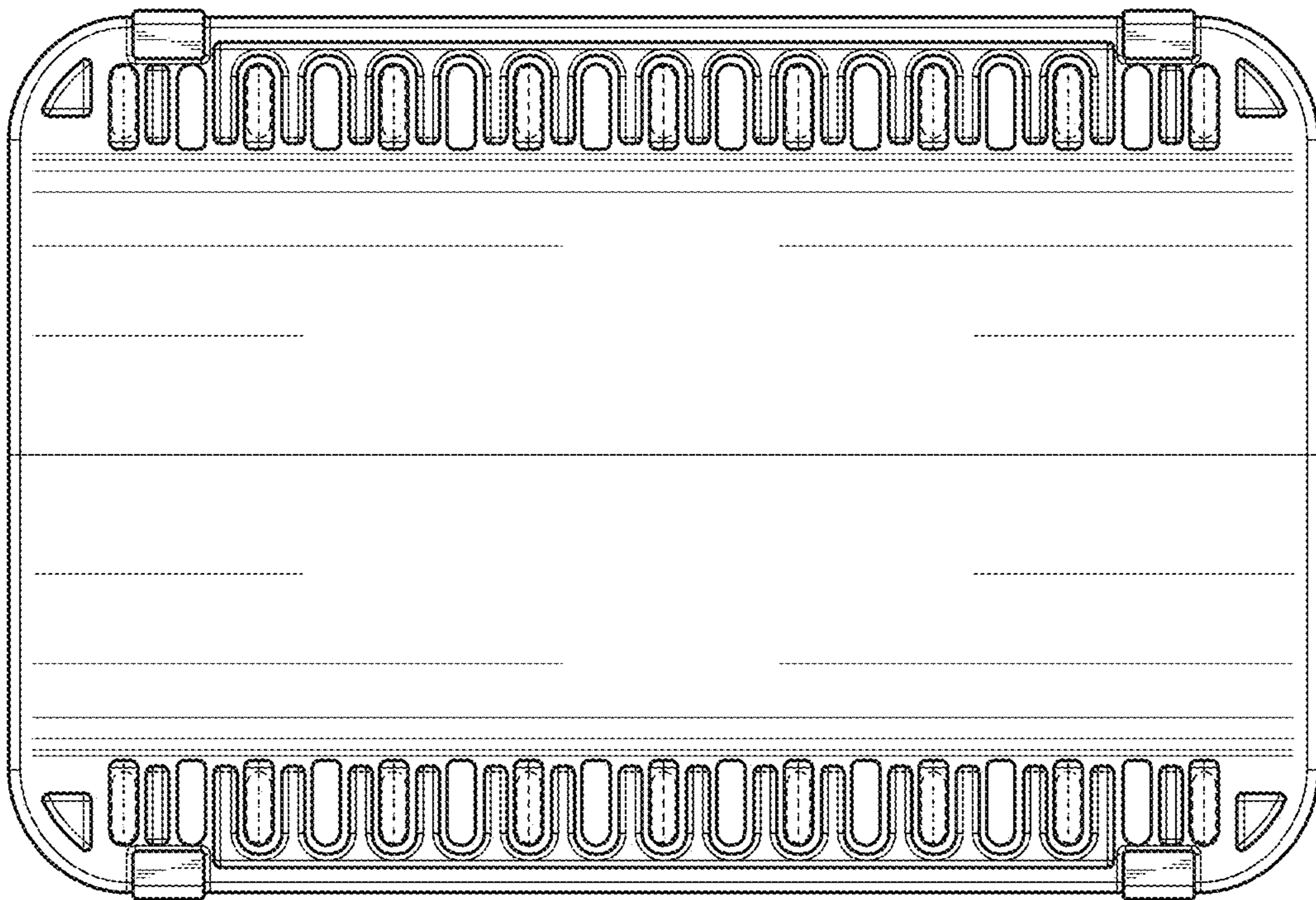


Fig. 4

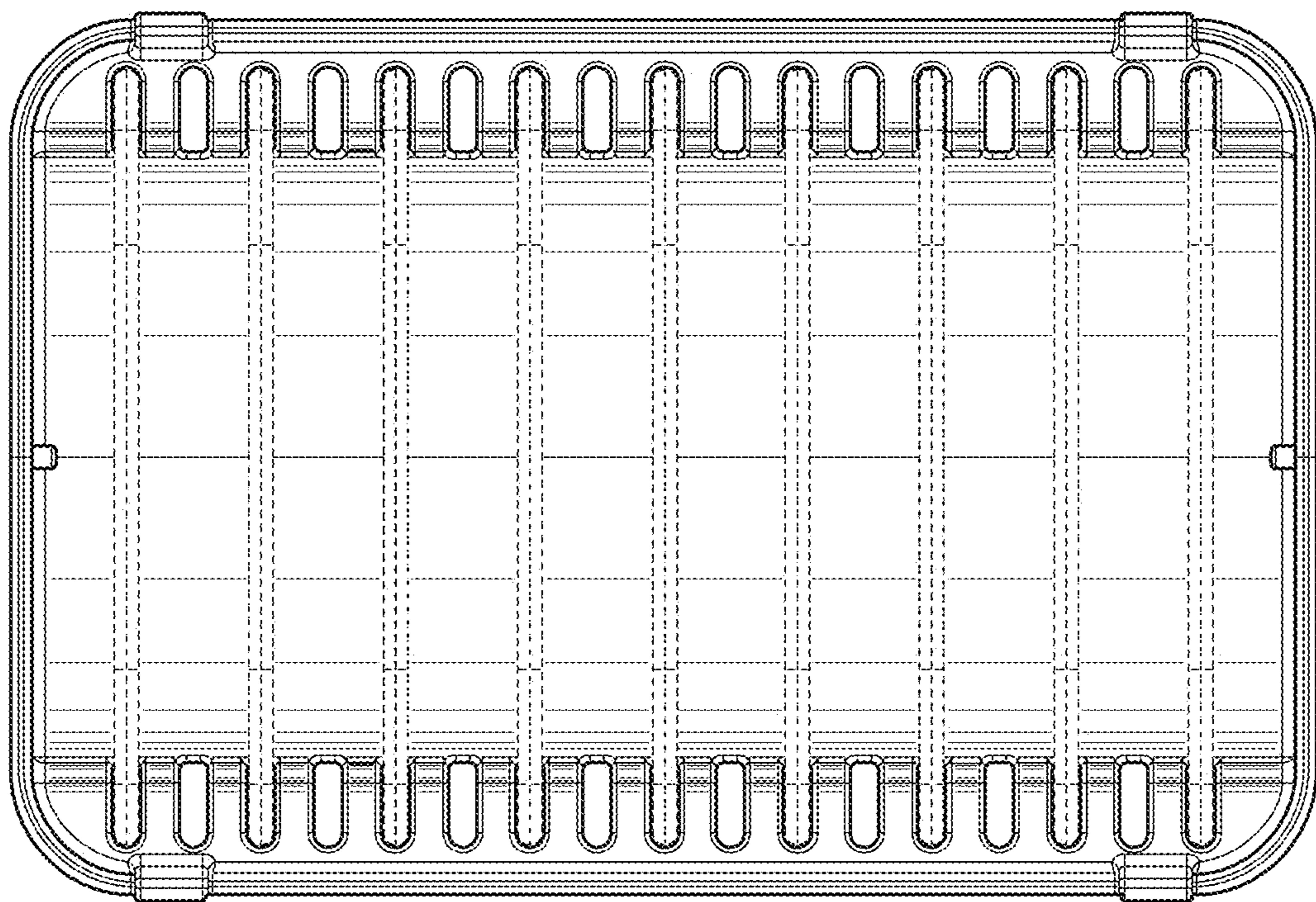


Fig. 5

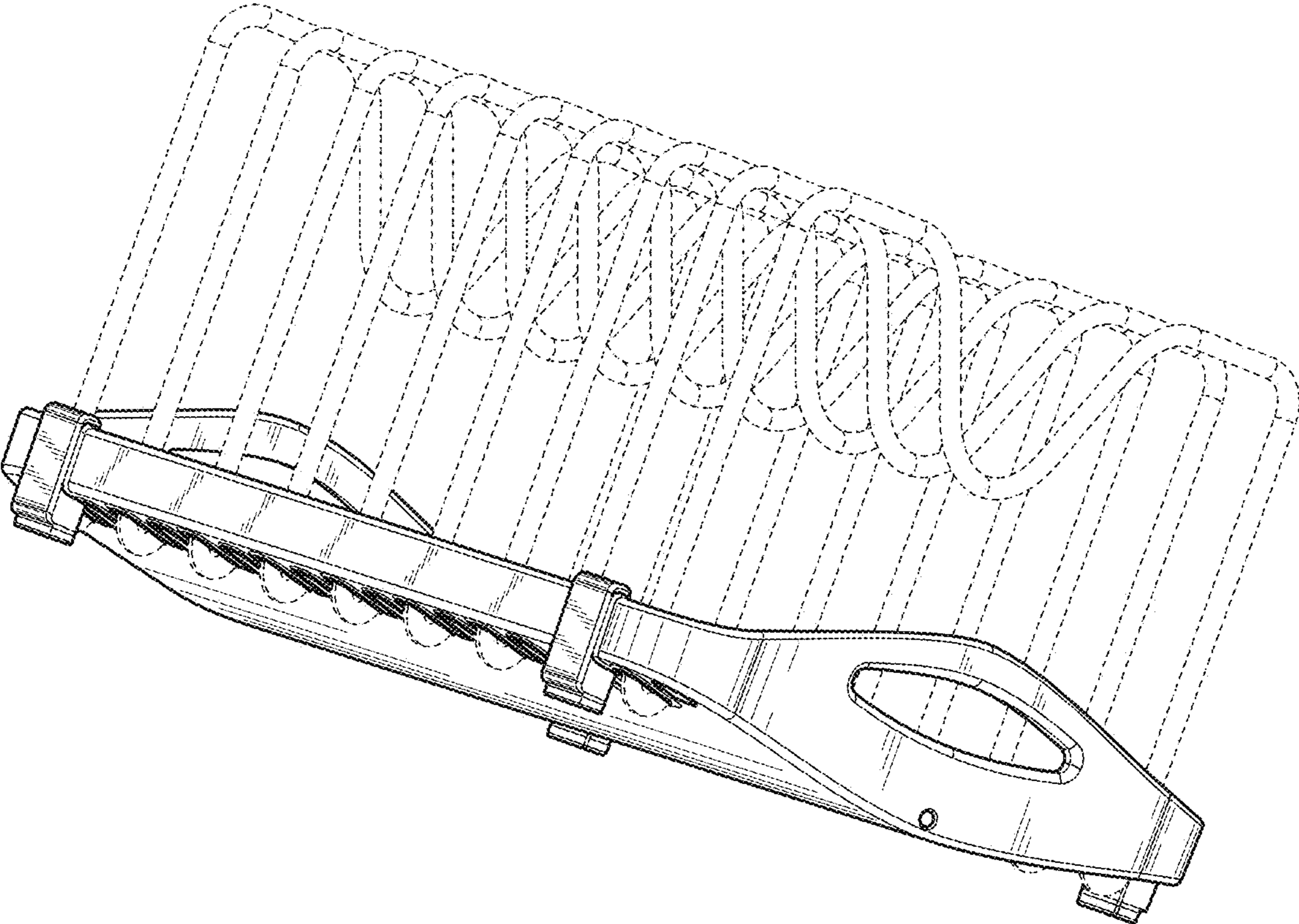


Fig. 6