



US00D969571S

(12) **United States Design Patent** (10) **Patent No.:** **US D969,571 S**
Folmann et al. (45) **Date of Patent:** **** Nov. 15, 2022**

(54) **CUTTING CHAMBER FOR AN HERB GRINDER**

D762,091 S * 7/2016 Grumbacher D7/679
D769,083 S * 10/2016 Harris D7/673
D770,866 S * 11/2016 Bernheim D7/672
RE46,408 E 5/2017 Hainbach

(Continued)

(71) Applicant: **HØJ LIFE LIMITED**, Hounslow (GB)

(72) Inventors: **Simon Villum Folmann**, London (GB);
Matias Taul Hansen, Silkeborg (DK)

FOREIGN PATENT DOCUMENTS

(73) Assignee: **HØJ LIFE LIMITED**, Hounslow (GB)

DE 10 2020 017 719 A1 1/2012
GB 6014781 * 7/2017

(Continued)

(**) Term: **15 Years**

OTHER PUBLICATIONS

(21) Appl. No.: **29/699,034**

International Search Report issued for PCT/GB2019/051701, dated Dec. 9, 2019, 5 pp.

(Continued)

(22) Filed: **Jul. 23, 2019**

(51) **LOC (13) Cl.** **07-04**

(52) **U.S. Cl.**

USPC **D7/679**; D27/195

(58) **Field of Classification Search**

USPC D7/372, 373, 381, 383, 590–597, 679,
D7/693; D27/195; D9/428, 504, 766,
D9/767, 772, 773; D28/8

CPC .. A47J 42/14; A47J 42/00; A47J 42/04; A47J
42/34; A47J 42/40; A47J 42/50; A47J
19/04; A47J 43/25; A47J 43/04; A47J
44/00; A24B 7/00; A24C 5/40

See application file for complete search history.

Primary Examiner — Omeed Agilee

(74) *Attorney, Agent, or Firm* — James A. Sheridan;
Sheridan Law, LLC

(57)

CLAIM

The ornamental design for a cutting chamber for an herb grinder, as shown and described.

DESCRIPTION

FIG. 1 is a perspective view from above of a cutting chamber for an herb grinder of our new design;

FIG. 2 is a perspective view from below of the cutting chamber for an herb grinder as shown in FIG. 1;

FIG. 3 is a side view of the cutting chamber for an herb grinder as shown in FIG. 1;

FIG. 4 is a top view of the cutting chamber for an herb grinder as shown in FIG. 1; and,

FIG. 5 is a bottom view of the cutting chamber for an herb grinder as shown in FIG. 1.

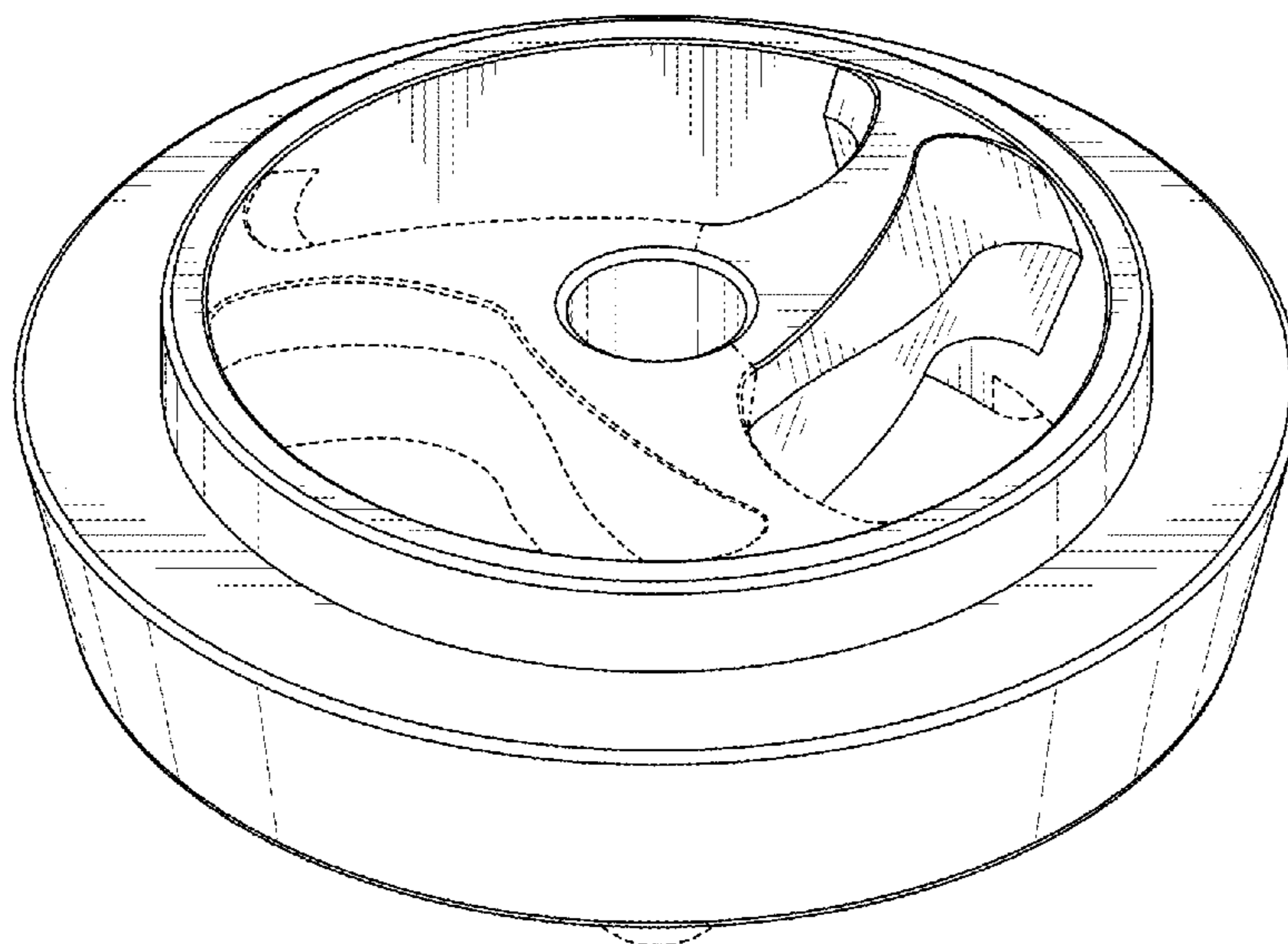
The broken lines in the drawings depict portions of the cutting chamber for an herb grinder that form no part of the claimed design.

1 Claim, 5 Drawing Sheets

(56) **References Cited**

U.S. PATENT DOCUMENTS

D227,003 S * 5/1973 Graham D9/504
D230,931 S 3/1974 Sewell
D445,032 S * 7/2001 Hammer D9/504
D505,074 S 5/2005 Bakic
D586,189 S * 2/2009 Austin D7/673
D613,553 S 4/2010 Wilson et al.
D672,090 S 12/2012 Ino et al.
D723,878 S 3/2015 Smith
D724,394 S 3/2015 Smith
9,241,597 B2 * 1/2016 Dukat A47J 42/14
D755,022 S * 5/2016 Dukat D7/679
D759,438 S * 6/2016 Dukat D7/679



(56)

References Cited

U.S. PATENT DOCUMENTS

D809,880 S 2/2018 Perkail
 D843,796 S 3/2019 Wong
 D858,222 S * 9/2019 Stewart D7/693
 D900,530 S 11/2020 Kim et al.
 2015/0298135 A1 10/2015 Spielman
 2016/0100715 A1* 4/2016 Staiano A47J 42/00
 241/79
 2016/0106262 A1 4/2016 Mroue
 2017/0135524 A1 5/2017 Moneta et al.
 2018/0126386 A1 5/2018 Witko et al.
 2020/0187716 A1 6/2020 Ashton
 2020/0237158 A1 7/2020 Gorodetzer
 2020/0323393 A1 10/2020 Ashton
 2020/0367695 A1 11/2020 Staiano
 2021/0023568 A1 1/2021 Huang

FOREIGN PATENT DOCUMENTS

GB 6046068 10/2018
 GB 6046069 10/2018

GB 6046070 10/2018
 GB 6046072 10/2018
 GB 6046073 10/2018
 GB 2574818 12/2019
 WO 2019/243803 12/2019

OTHER PUBLICATIONS

Written Opinion issued for PCT/GB2019/051701, dated Dec. 9, 2019, 9 pp.
 Canadian Examination Report issued for CA Appl. No. 188818, Sep. 15, 2020, 2 pp.
 KLIP. Oline, published date unknown, Retrieved on Oct. 14, 2020 from URL: <https://www.hoj.life/products/klip>.
 Canadian Examination Report issued for CA Appl. No. 188820, Sep. 15, 2020, 2 pp.

* cited by examiner

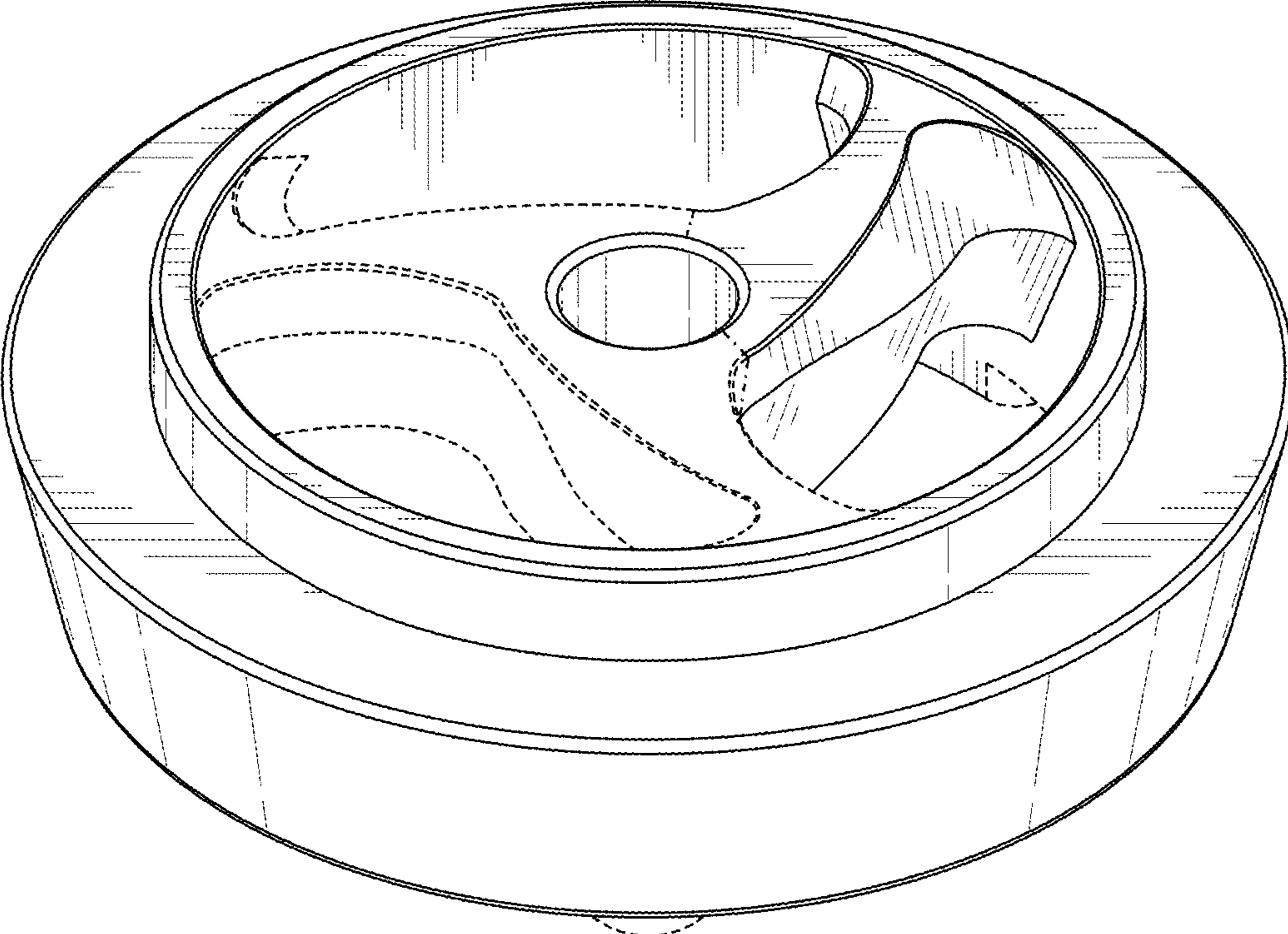


FIG. 1

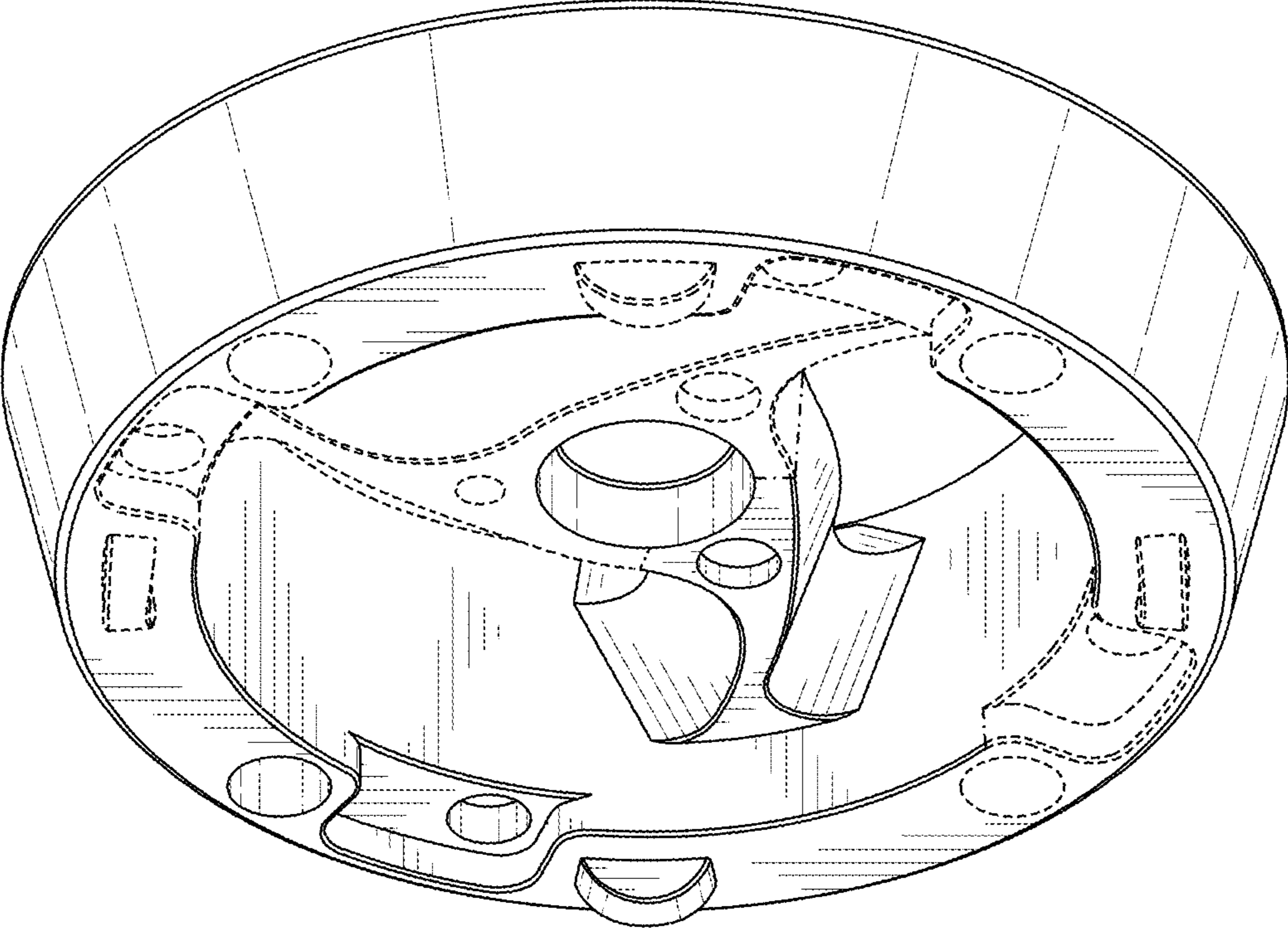


FIG. 2

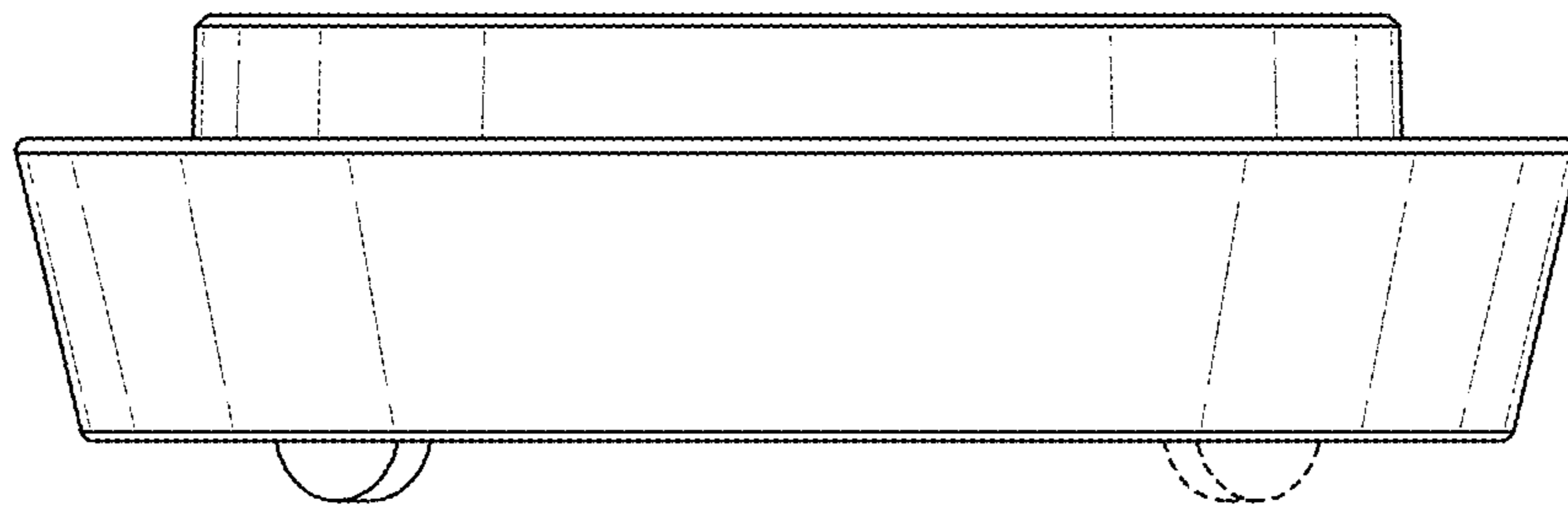


FIG. 3

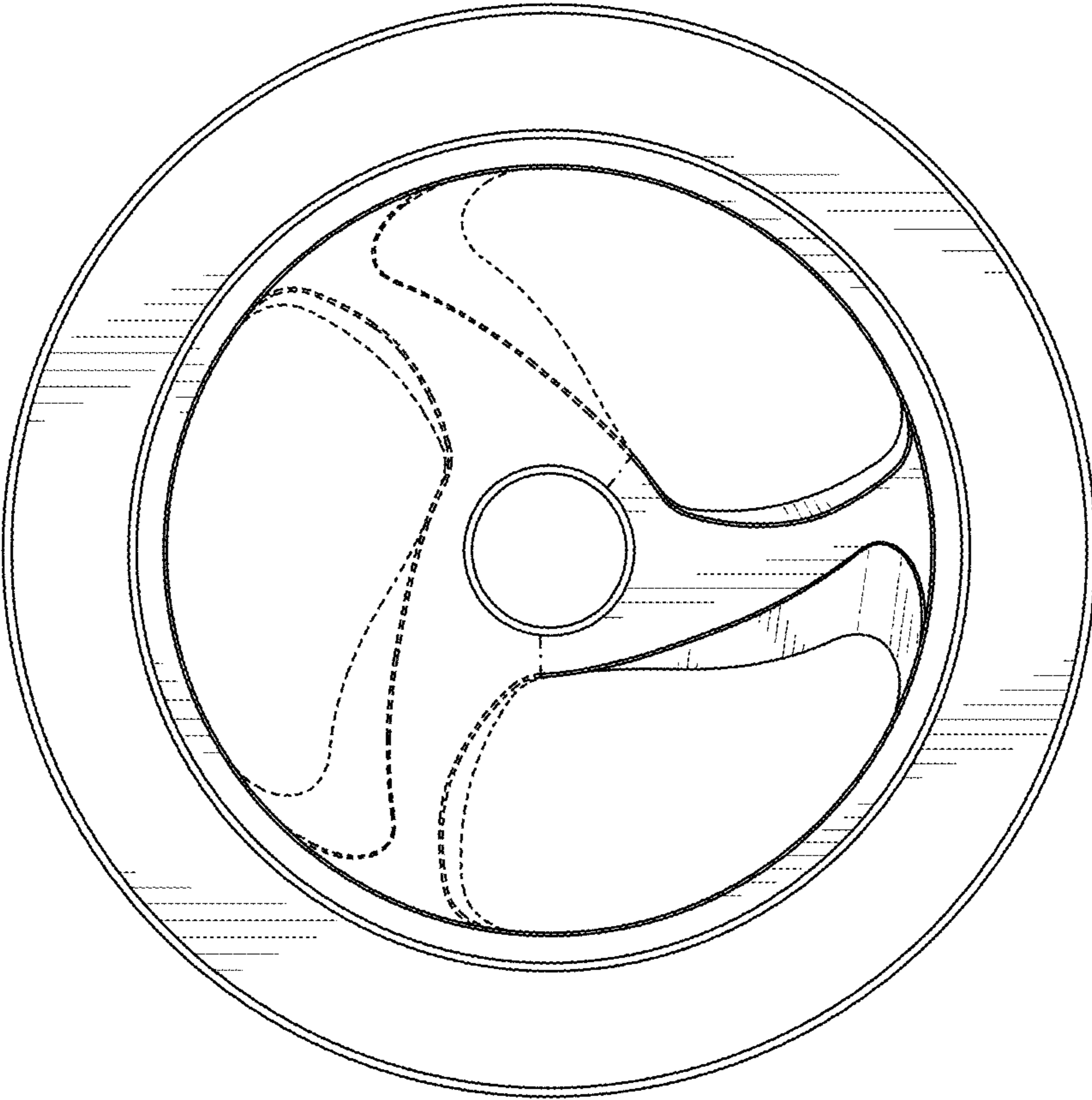


FIG. 4

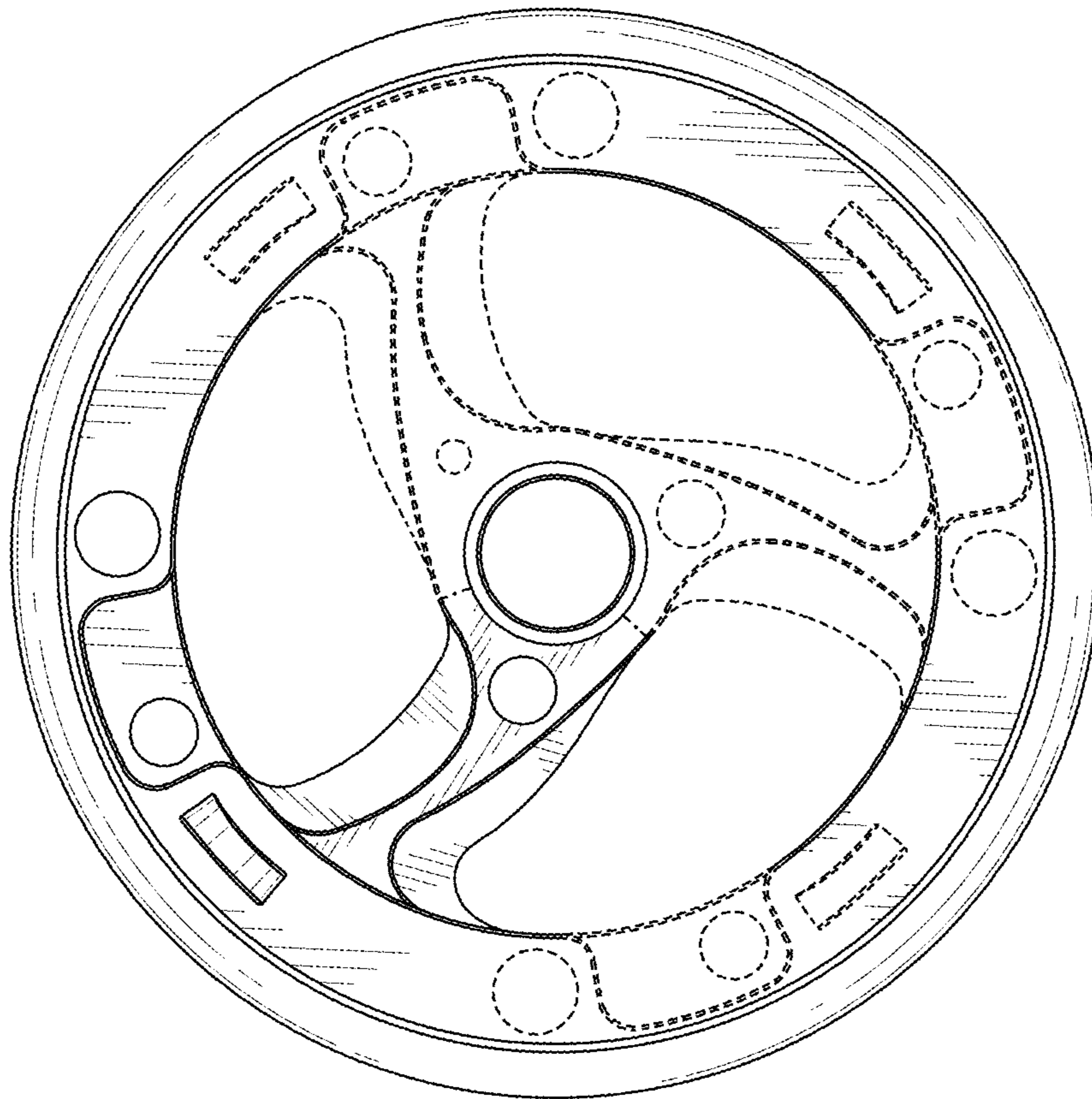


FIG. 5